

**INSTALLATION**

**PDM-4**

**PDM-8**



*In or Out... we make it Easy!®*

# **PDM-4 PDM-8**

## **Power Distribution Board Installation and Specifications Manual**

## **Description**

The PDM-4 and PDM-8 board distributes a DC source into 4 or 8 outputs. The output voltage and total current available is determined by the input supply. When installed into a power supply, service time can be greatly reduced by the output indicator LED's. If an output fuse is blown the accompanying LED will be off. Simply identifying the device connected to this output will allow for a problem to be quickly corrected. In addition to short circuit protection the input terminals also have a surge protector that can absorb a 1500 Watt spike or surge to protect connected devices.

## **Features**

- Converts a single input to 4 or 8 separately protected outputs
- Separate RED power indicator LED for each output.

## **Installation Instructions** (See Fig. 1 and 2)

- 1) Mount the distribution board in a suitable location as required.
- 2) Connect power to input terminals, (-) is negative and (+) is positive.  
Observe proper polarity
- 3) Connect devices to be powered to output CH terminals. Observe proper polarity.
- 4) Apply power to input terminals and test all connected devices.

### **Note:**

- Unit is to be powered from RCI 10 Series power supply or a UL listed power supply
- Maximum torque of 7in\*lb for black input and output terminals
- Check end product install instructions for conditions of use

# Specifications

- For UL listed power supply.
- UL 294 and ULC S319 Class I Access Control System Units.

## PDM-4

### Dimensions

Length:  
3-3/4" 95.3mm  
Width:  
2-3/16" 56.3mm  
Height:  
13/16" 20.6mm

### Electrical

Current Draw with no load: 30mA  
Current Handling: Rated 2A per output  
30VDC Max

Fuse: 2Amp

### Environmental:

Use in a controlled environment.

**Warning: Improper wiring connections may result in damage to these products.**

**Mise en garde: Un mauvais raccordement des câbles risque d'endommager ce produit.**

## PDM-8

### Dimensions

Length:  
3-3/4" 95.3mm  
Width:  
4-13/16" 122.7mm  
Height:  
13/16" 20.6mm

### Electrical

Current Draw with no load: 60mA  
Current Handling: Rated 2A per output  
30VDC Max

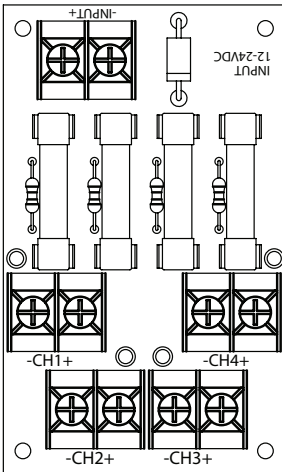


Fig. 1 PDM-4

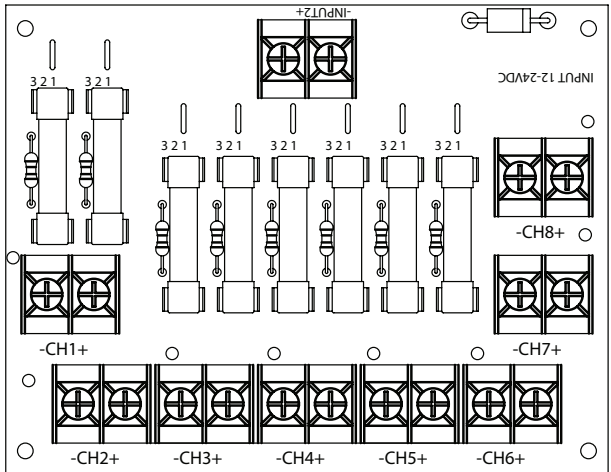


Fig. 2 PDM-8

**PDM-4 and PDM-8**  
**Troubleshooting**

<b>Problem</b>	<b>Solution</b>
Output LED's do not turn on when powered.	- If using DC power, check input polarity.  - Check that input power supply voltage is present and current capacity is sufficient for total current draw of all connected equipment.

**Notes:**

---

---

---

---

---

---

---

---

---

---

---

---

---

---

---

---

---

---

---

---

---

---

---

**For Technical Support:**

**1-800-265-6630 or 519-621-7651**

**[www.rutherfordcontrols.com](http://www.rutherfordcontrols.com)**