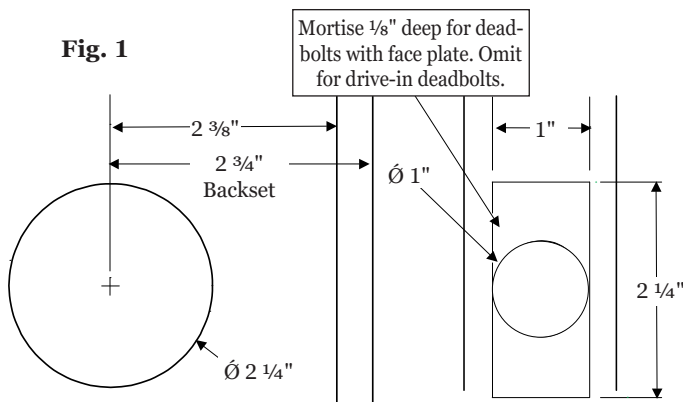


InSync™ D Installation Instructions

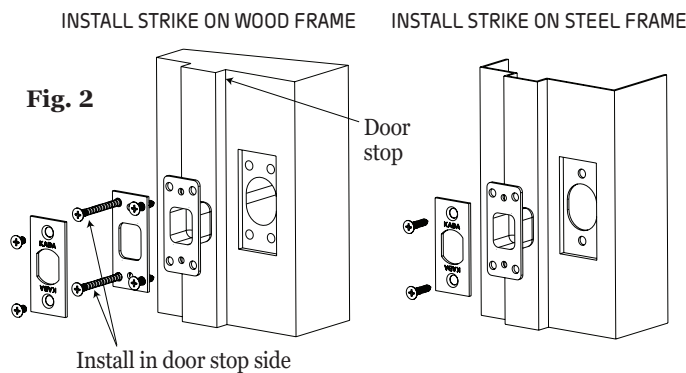
Common and Suite Configurations

All parts needed to install the InSync™ D lock are included with each unit. Check to make sure all parts are accounted for before beginning installation. Do not substitute any of the parts. The use of substitute parts will result in poor performance of the lock and void the warranty.

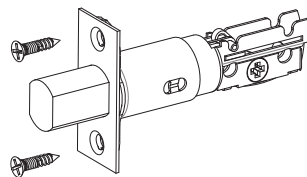
1. Prepare the door according to the dimensions indicated in Fig. 1. Remove any debris.



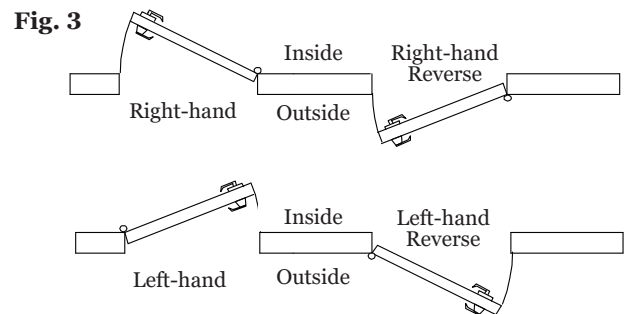
2. Prepare the door frame using the template and install the strike plates using the screws provided (Fig. 2).



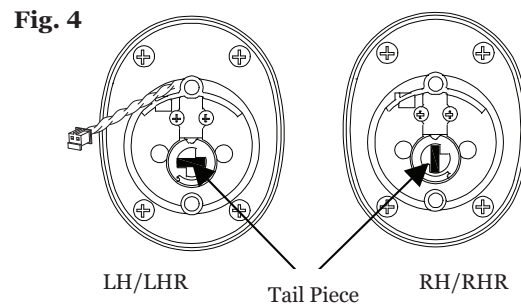
3. Install the deadbolt in the door edge and fasten it to the door with the screws provided. Operate the bolt to ensure freedom of travel with the door open and again with the door closed. Extend the bolt before installing the outside trim assembly.



4. Determine the hand of the door (see Fig. 3).

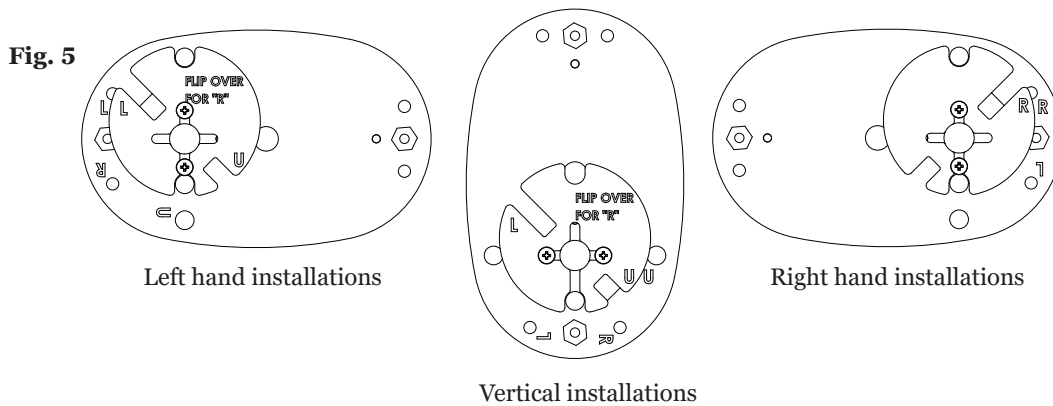


5. Orient the tail piece for the proper handing. Rotate the tail piece clockwise for right-hand doors or counter-clockwise for left-hand doors. See Fig. 4.



6. Ensure the battery cable assembly is routed above the arch which fits into the 2 1/8" bore. Place the outside trim assembly onto the door by inserting the tail piece into the deadbolt assembly. Be sure to keep the battery wire above the deadbolt assembly.

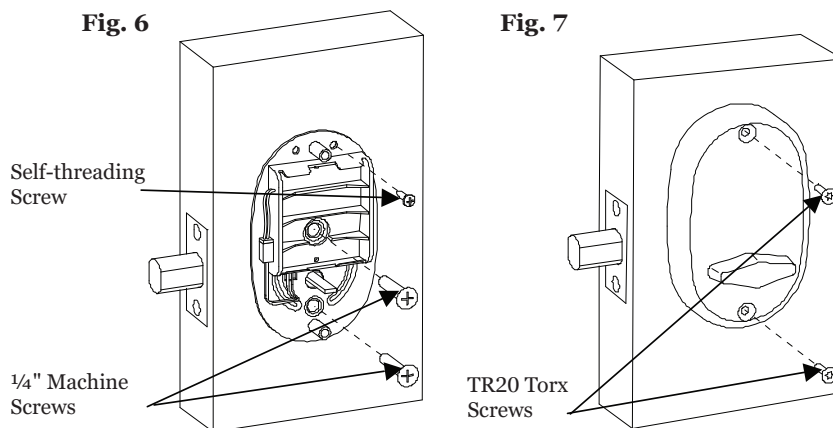
- See the illustrations (Fig. 5) and set up inside mounting per handing.



- Position the inside trim plate onto the door. Insert the battery wire through the square hole in the mounting plate (Fig. 6). Fasten it with two 1/4" machine screws and one self-threading screw (provided). Plug the battery wire into the battery pack assembly and install four AA alkaline batteries.

Important: As the last battery is installed, watch for the LED on the outside of the lock to flash (reset).

- Position the inside cover with the turn piece in a horizontal position (see Fig. 7), then fasten it with the two color-matching tamper-resistant screws (provided). A TR20 Torx bit and construction keys are included in the start-up kit.
- Important: Before closing the door, check deadbolt function using the turn piece and a construction key (provided). If the deadbolt does not function, DO NOT USE FORCE. Return to step 4 and be sure that the tail piece is properly rotated when the outside trim is installed.



Disclaimer: While reasonable efforts were made to ensure the accuracy of this document at the time of printing, Kaba assumes no liability for any errors or omissions. This information is subject to be revised without notice, and changes may be incorporated in future releases. © 2015 Kaba Access & Data Systems Americas. All rights reserved.

Kaba Access & Data Systems Americas
 2941 Indiana Ave.
 Winston-Salem NC 27105
 USA
 1-800-849-8324