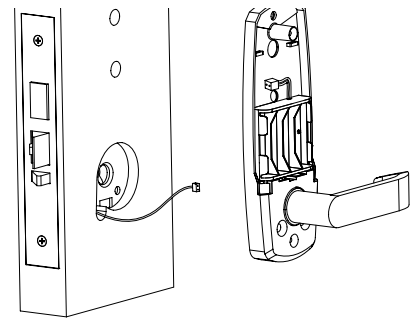


InSync[®] M Installation Instructions

All parts needed to install the InSync[®] M lock are included with each unit. Please check to make sure all parts are accounted for before beginning installation. Do not substitute any of the parts. The use of substitute parts will result in poor performance of the lock.

Fig. 1

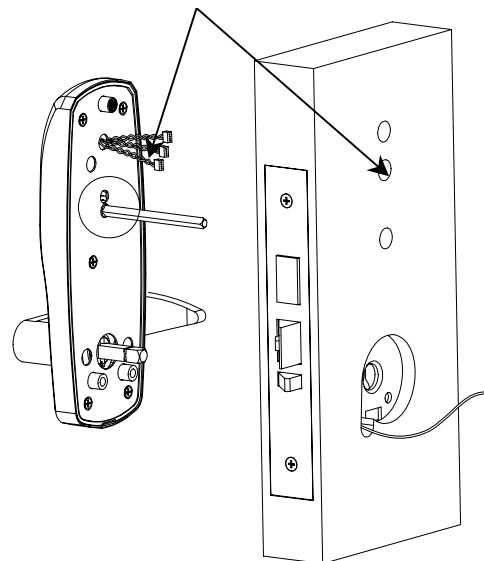
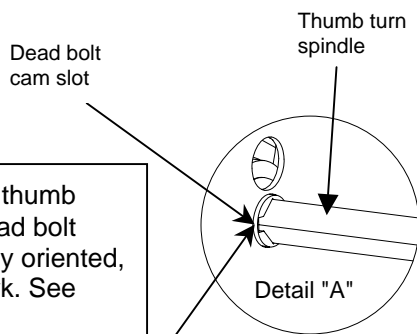
1. Prepare the door using the InSync M installation template.
2. Prepare the door frame using the template and install the strike plate using the appropriate metal or wood screws (12 x 1-1/2) provided.
3. Install the mortise lock in the door mortise pocket while feeding the motor wire through the notch on the inside of the door (see Fig. 1). Fasten the mortise lock with the appropriate machine screws (12-24 x 3/8 flat head) or wood screws (12 x 1-1/4 flat head). Attach the lock face plate (scalp plate) using two 8-32 x 1/4 flat head machine screws. Make sure the dead bolt is retracted. If the dead bolt is projected, temporarily install the inner trim and retract it.



4. **Verify the thumb turn spindle is oriented correctly (see Fig. 2, Detail "A").** Place the outside trim in position, CAREFULLY feeding the cables through the center 1/2" diameter hole (see Fig. 2).

Step 4. Feed the cables through the 1/2" hole.

Fig. 2



Important: If the thumb turn spindle and dead bolt cam are not properly oriented, the lock will not work. See Fig. 2, Detail "A."

Step 4. Slots on dead bolt cam must be horizontal.

All information contained herein, including but not limited to product pricing and other intellectual property, is confidential and intended for the sole use of the addressee(s) so named. Any misuse of this confidential information contained herein may result in legal action by Computerized Security Systems dba SAFLOK and its parent company.

5. While placing the inner trim in position, feed the cables through the appropriate hole in the inner chassis (see Fig. 3) attach with two 1/4-20 x 2-5/8 flat head Phillips machine screws and one 1/4-20 x 2 pan head Phillips machine screws.
6. Plug the wire harnesses into the appropriate inner trim wires (battery, mortise, and optional lever switch). Secure the wires with the wire tie to either loop on the chassis.
7. Install the four AA alkaline batteries.

Important: As the last battery is installed, watch for the LED on the outside of the lock to flash (reset).

8. With the thumb turn in the vertical position place the inner cover on the inner assembly. Secure the inner cover with the color-matching tamper-proof screws (supplied). A TR20 Torx bit and construction keys are included in the Start Up Kit.
9. **Important:** Before closing the door, check the lock function by construction key, thumb turn, and inner and outer levers.

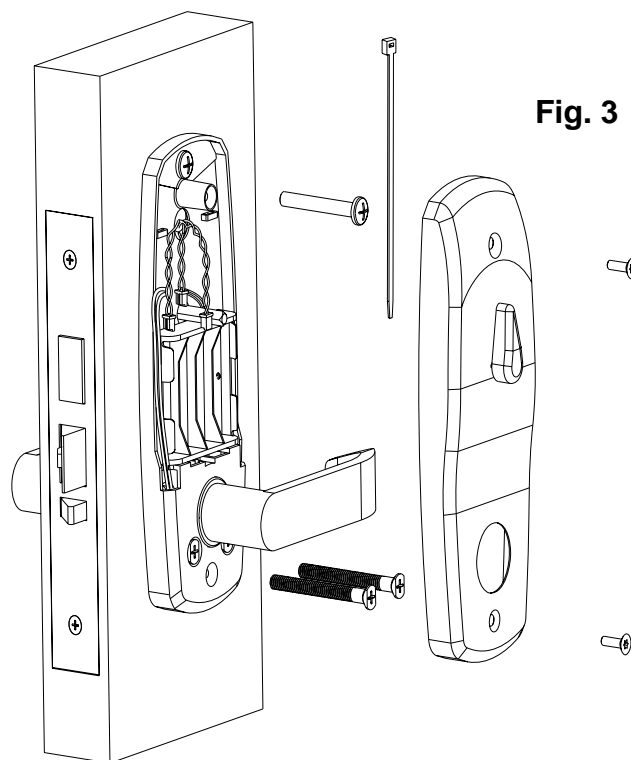


Fig. 3

Questions? Call Customer Service at 800.999.6213 and select option 3.
For online assistance, visit support.saflok.com.



A Member of the Kaba Group

For worldwide office locations and contact information, visit us at www.saflok.com.

USA · Canada

Phone: **877.272.3565**

Europe · Middle East · Africa

Phone: **33.1.30.13.04.04**

Asia

Phone: **86.10.5861.3561**

Manufactured under one or more of the following patents:

U.S.: 4,177,657; 4,411,144; 4,534,194; 4,890,870; 5,198,643;
5,477,041; 5,820,177; 5,986,564; 7,051,561; D494,841; D501,131
D512,899; D519,021; D531,629; D533,009; D533,047; D533,762;
D533,763; D535,629 CANADA: 1,252,854; 1,298,902

U.K. 2,010,375

Other U.S. and foreign patents pending

SAFLOK reserves the right to modify the characteristics and features of all products in this publication.
©2008 SAFLOK, all rights reserved.