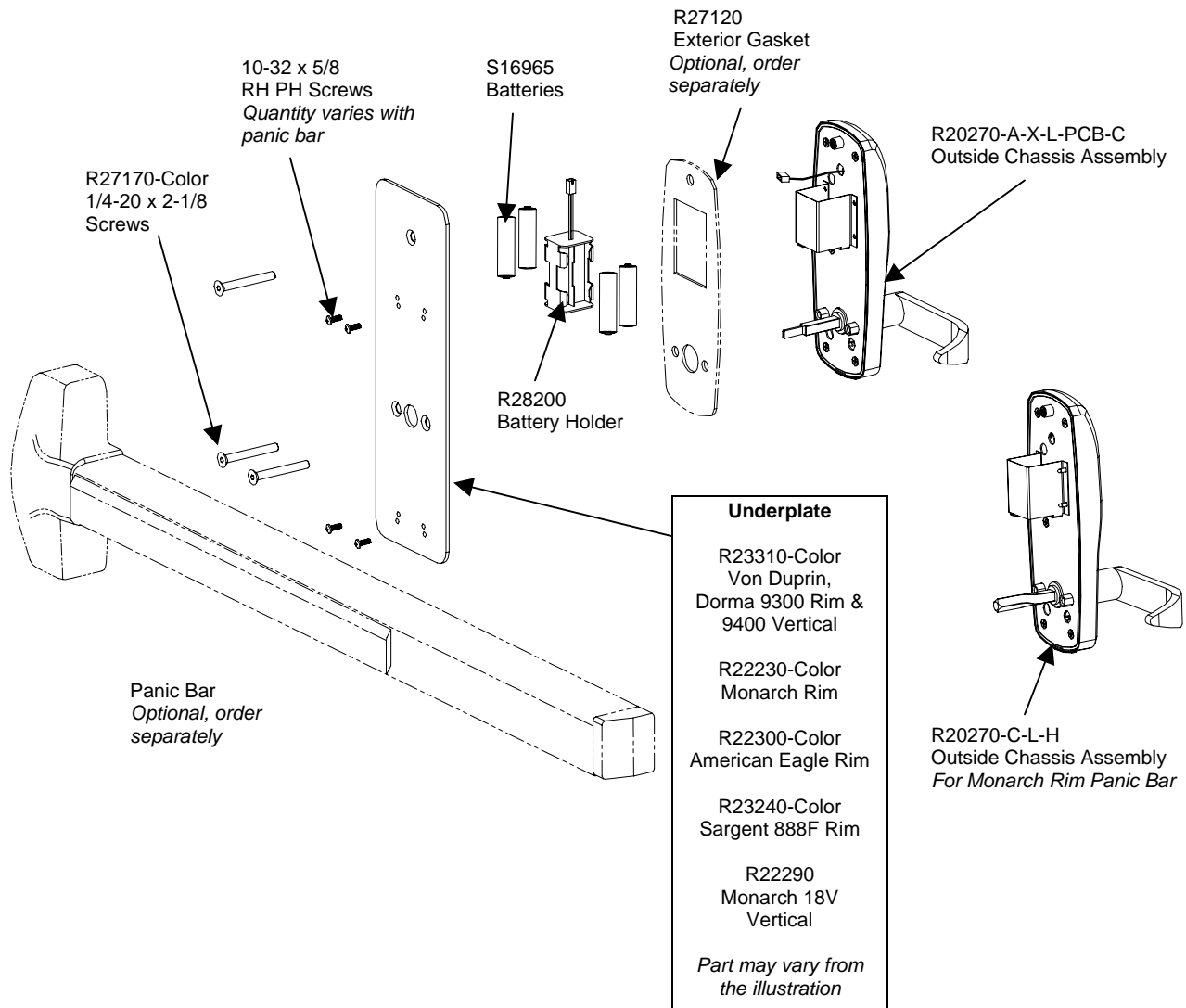




# InSync® CP Installation Instructions

All parts needed to install the InSync® CP lock are included with each unit. Check to make sure all parts are accounted for before beginning installation. Do not substitute any of the parts. The use of substitute parts will result in poor performance of the lock.



All information contained herein, including but not limited to product pricing and other intellectual property, is confidential and intended for the sole use of the addressee(s) so named. Any misuse of this confidential information contained herein may result in legal action by Computerized Security Systems dba SAFLOK and its parent company.

## Installing the InSync® CP Lock

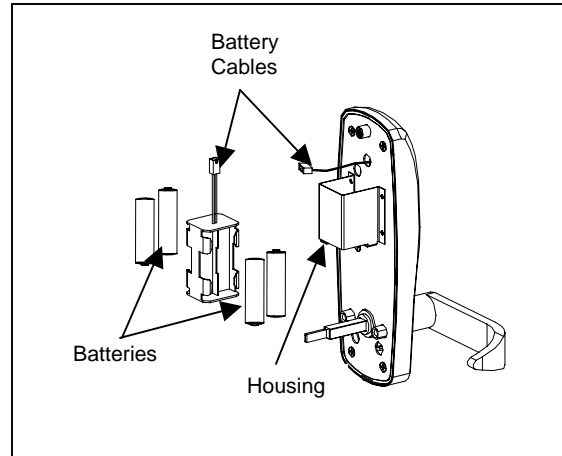
**Note:** Refer to the installation instructions packed with your panic bar as you install the InSync CP lock.

1. Prepare the door and door frame using the InSync CP installation template and the appropriate panic bar door prep template.

2. Place the batteries in the holder and slide the battery holder into the housing on the back of the lock assembly.

3. Connect the battery cables.

**Important:** When the battery cable is connected, watch for the LED on the outside of the lock to flash.



4. Secure the outside trim assembly to the door using the three 1/4-20 x 2-1/4 screws and underplate provided.

**Note:** Be sure that the spindle is properly engaged in the panic bar mechanism.

5. Install the panic bar, following the installation instructions specific to your panic bar.

**Important:** Before closing the door, check lock function using the construction key, outer lever, and panic bar.

**Questions?** Call Customer Service at 800.999.6213 and select option 3.  
For online assistance, visit [support.saflok.com](http://support.saflok.com).



For worldwide office locations and contact information, visit us at [www.saflok.com](http://www.saflok.com).

**USA·Canada**

Phone: **877.272.3565**

**Europe · Middle East · Africa**

Phone: **33.1.30.13.04.04**

**Asia**

Phone: **86.10.5861.3561**

Manufactured under one or more of the following patents:

U.S.: 4,177,657; 4,411,144; 4,534,194; 4,890,870; 5,198,643;  
5,477,041; 5,820,177; 5,986,564; 7,051,561; D494,841; D501,131  
D512,899; D519,021; D531,629; D533,009; D533,047; D533,762;  
D533,763; D535,629 CANADA: 1,252,854; 1,298,902  
U.K. 2,010,375  
Other U.S. and foreign patents pending

SAFLOK reserves the right to modify the characteristics and features of all products in this publication.  
©2008 SAFLOK, all rights reserved.