

iMXDa Delayed Egress Magnalock®

Configurable, 1,200 lbs holding force, delayed egress Magnalock



Integrated movement exit delay with all-in-one Magnalock.

Prevent losses at emergency exits with iMXDa. An attempted exit initiates an alarm and initiates a brief delay timer before the lock releases, giving personnel time to respond before an exit occurs. Protect memory care wards, hospitals, dormitories, airports, child care facilities and retail or warehouse environments. Used on out-swing doors, installation requires no alteration or replacement of existing fire-rated or non-fire-rated latching hardware.

Features

Standard Features

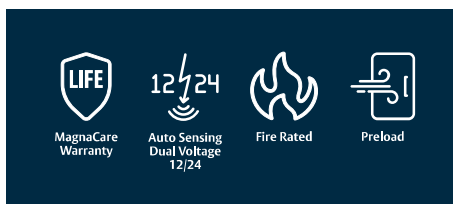
- Automatic dual-voltage —no field adjustment required
- Bracket mounting provides the easiest install for out-swing doors
- Size optimized for use with door closers
- Patented BondSTAT lock bond sensor
- Instant release circuit —no residual magnetism
- Internal wire access chamber
- Easily visible LEDs indicate status on secure side of door
- Advanced intelligent microprocessors provide alarm options and trainable door movement detection to minimize false alarms
- Permits free egress in emergency situations
- Fully integrated delay and detection features for fast installation of delayed egress system
- Easily adjustable door movement detection from 1/8" [3.2 mm] to 1" [25.4 mm]
- External alarm relay isolated dry contact (1A at 24 VDC)
- External reset
- Keyswitch reset

Configurable settings include:

- » Nuisance alarm times —0 to 3 seconds
- » Irrevocable delay times —15 or 30 seconds
- » External bypass delay times —0, 5, 10, or 15 seconds
- » Post alarm reminder
- » Bypass expiration alarm
- » Manual relock or delayed automatic relock (BOCA)
- Required sign included
- Ultra-secure collapsing blind nuts mount to door frame for strength and reliability
- Rust resistant — all ferrous metal surfaces plated for durability
- MagnaCare® lifetime replacement, no-fault, no questions asked warranty

Optional Features

- iEXDa allows alarm initiation via an external panic device
- iMXDa-CA is CAL Fire BML listed
- iMXDaCH is Chicago compliant
- iMXDaH for HUGs® Infant Protection System



iMXDa Delayed Egress Magnalock

Specifications

Certifications

- CAN/ULC-S533 Listed
- ANSI/UL 294 Listed
- NFPA 101
- CSFM—California State Fire Marshal Approved (iMXDA-CA only)

Electrical

- 370 mA max at 12 VDC
- 270 mA max at 24 VDC

Holding Force

- 1,200 lbs [544kg]

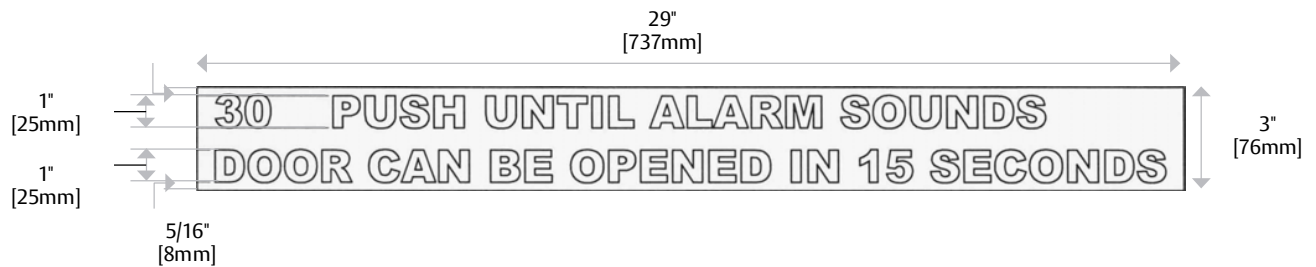
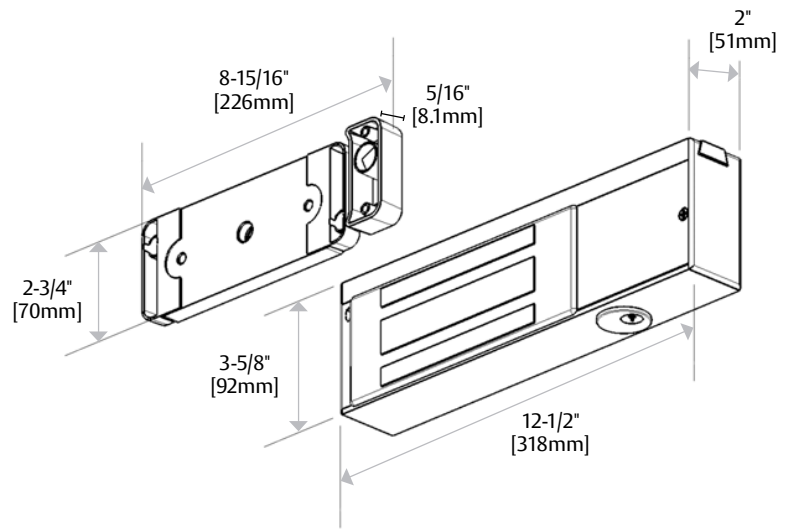
Operating Temperature

- 32° to 104°F [0° to 40°C]
- Indoor use only

Shipping Weight

- 15 lbs [6.80kg]

Dimensions



How to Order

MODEL SERIES	TIMING OPTIONS
iMXDa	CH
iMXDa Integrated Initiation	(blank) Adjustable Timing
iEXDa External Initiation*	-CA15S California Required 15s Timings
	-CA30S California Required 30s Timings
	CH Chicago Required Timings
	H HUGS Infant Protection Timings