



**Ligature Resistant Locks**



**Ligature Resistant  
Rx Series**

TownSteel is pleased to introduce the most complete line of Ligature Resistant locks available today in the commercial contract hardware industry: ADA 5-Point Ligature Resistant Arched Mortise Lock (MRX-A), ADA Ligature Resistant Levered Mortise Lock (MRX-L), ADA 5-Point Ligature Resistant Arched Cylindrical Lock (CRX-A), Levered Cylindrical Lock (TRX-L), Standard configuration Ligature Resistant Conical Knob Mortise Lock (MRX-K), and Conical Knob Cylindrical Lock (CRX-K).



Contact us for more info.

Phone: 1-877-858-0888

Web: [www.townsteel.com](http://www.townsteel.com)

Email: [sales@townsteel.com](mailto:sales@townsteel.com)

# Ligature Resistant Series Family

## Grade 1 Mortise Lock -Lever



MRX-A



MRX-E-L



MRX-S-L



MRX-S-L

## Grade 1 Mortise Lock -Knob



MRX-E-K



MRX-S-K

## Grade 1 Cylindrical Lock -Lever



CRX-A



TRX-L

## Grade 1 Cylindrical Lock -Knob



CRX-K

## Grade 1 Deadbolt



DRX

## Grade 1 Electrified Mortise Lock



XMRX-A



XMRX-E-K

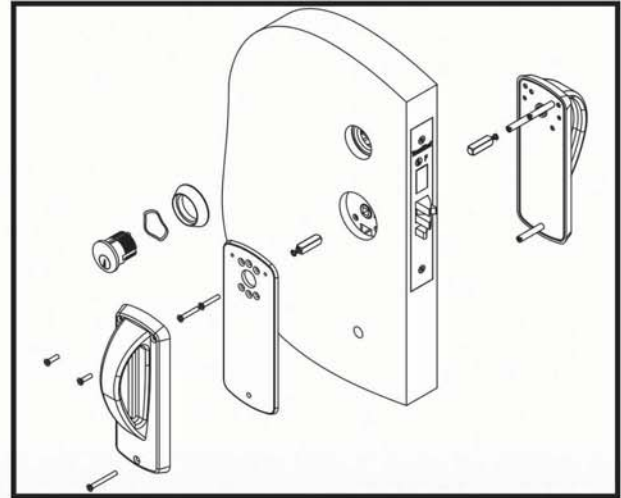


XMRX-S-K



Ligature Resistant Locks

# MRX-A ANSI Grade 1 Mortise Lock with Ligature Resistant Trim-Arch



## Specification

- For facilities housing patients in risk
- For 1-3/4" door thickness, other upon request
- 2-3/4" backset
- Handed
- US32D finish
- Stainless steel under plate, 7-1/2" x 2-3/4" x 1/2"
- 5-point ligature resistant stainless steel arch lever
- Stainless steel turn piece, ligature resistant, ADA
- Stainless steel faceplate, 1-1/4" x 8"
- Stainless steel strike, ASA, 1-1/4" x 4-7/8"
- Through-bolt mounting, tamper resistant mounting screws, for wood and metal door
- Brass cylinder with stainless steel cover, 6 pin, Schlage "C" keyway standard, 2 keys per cylinder
- Small Format IC available with or without core, 6 or 7 pin core
- Schlage Large Format IC available in less core
- Corbin Large Format IC available in less core, for 6 pin core
- High Security Cylinder available, TownSteel "L" keyway, 6 pin
- High Security Small Format IC Core available, TownSteel "L" keyway, 7 pin
- 5-year limited warranty

## Code Compliance

- OMH** Accepted by New York State Office of Mental Health Patient Safety Standard
- ANSI/BHMA** A156.13-2012 Grade 1 Certified
- UL/ULC** UL 10C listed 3-hour rating

- BAA** Meets requirements of the Buy American Act
- ADA** Meets requirements of the Americans with Disabilities Act



## How To Order

<b>Trim</b>	<b>MRX-A Ligature Resistant Mortise Arch Trim</b>
<b>Function</b>	<b>Please Refer to Function Sheet</b>
<b>IC</b>	<b>IC Less Core (Optional, Specify when ordering)</b>
<b>LH</b>	<b>Left Hand Door</b>

### Example

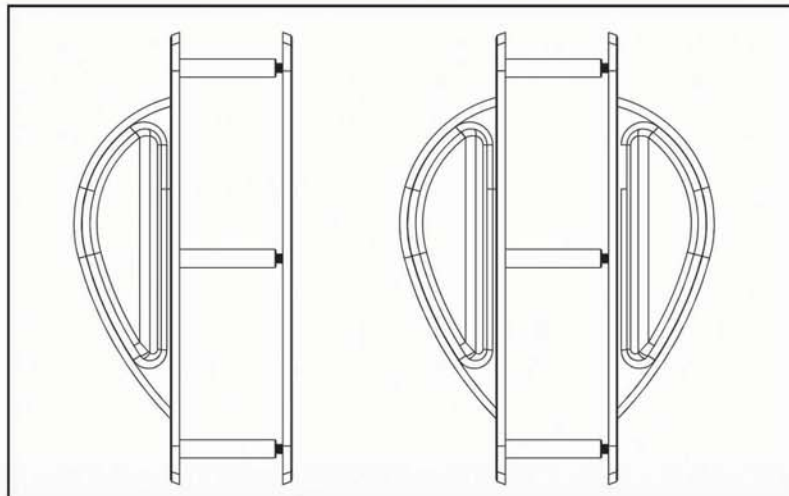
**MRX-A-04-IC-LH**

- 1. MRX-A: Ligature Resistant Mortise Arch Trim
- 2. 04: ANSI F-04 function
- 3. IC: Small format IC less core ( Optional )
- 4. LH: Left hand door

## Important Note

It is TownSteel's position that if any of our keyed locks are to be used less cylinder, whether I.C. or standard, and another manufacturer's cylinder is to be used in place of the TownSteel original manufacturer's cylinder, that a sample of that product be provided to TownSteel in advance for testing.

# MRXA Ligature Resistant Pull



## Specification

- For hospitals, behavioral health and other clinic facilities
- 0.158" gauge stainless steel plate, Type 304, 3" (W) x 7-3/4"(H)
- 5-point ligature resistant handle
- Through-bolt mounting
- For wood or hollow metal doors, 1-3/4" thick
- 8-32 tamper resistant stainless steel mounting screws
- US32D finish
- Pair or single pull

## How To Order

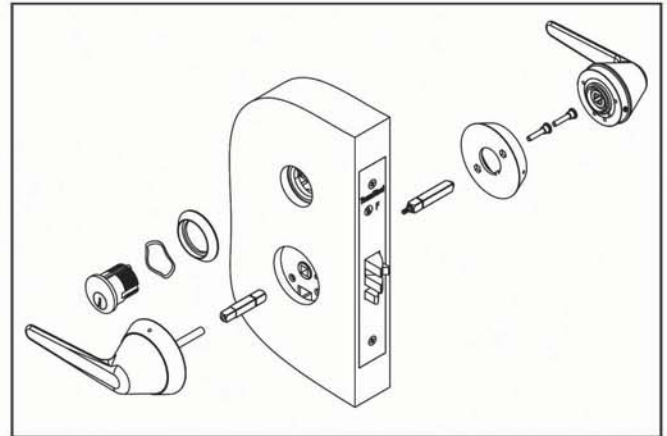
Series	MRXA Ligature Resistant Pull
Function	PP: Back-to-back pull
	SP: Single pull

### Example

1. MRXA Ligature Resistant Pull MRXA-PP
2. PP: Back-to-back pull



# MRX-L ANSI Grade 1 Mortise Lock with Ligature Resistant Trim-Lever



## Specification

- For facilities housing patient at risk
- For 1-3/4" door thickness, other upon request
- 2-3/4" backset
- Handed, field reversible
- US32D finish
- Stainless steel rose (MRX-S-L), 2-3/4" in diameter
- Stainless steel escutcheon (MRX-E-L), 8"x 3-1/4"x1/8"
- Stainless steel lever, ligature resistant
- Stainless steel turn piece, ligature resistant, ADA
- Stainless steel faceplate, 1-1/4" x 8"
- Stainless steel strike, ASA, 1-1/4" x 4-7/8"
- Through-bolt mounting, tamper resistant mounting screws, for wood and metal door
- Brass cylinder with stainless steel cover, 6 pin, Schlage "C" keyway standard, 2 keys per cylinder
- Small Format IC available with or without core, 6 or 7 pin core
- Schlage Large Format IC available in less core
- Corbin Large Format IC available in less core, for 6 pin core
- High Security Cylinder available, TownSteel "L" keyway, 6 pin
- High Security Small Format IC Core available, TownSteel "L" keyway, 7 pin
- 5-year limited warranty

## Code Compliance

<b>OMH</b>	Accepted by New York State Office of Mental Health Patient Safety Standard
<b>ANSI/BHMA</b>	A156.13-2012 Grade 1 Certified
<b>UL/ULC</b>	UL 10C listed 3-hour rating

**BAA** Meets requirements of the Buy American Act  
**ADA** Meets requirements of the Americans with Disabilities Act



## How To Order

<b>Trim</b>	<b>MRX-E-L Ligature Resistant Lever Mortise-Escutcheon Trim</b> <b>MRX-S-L Ligature Resistant Lever Mortise-Sectional Trim</b>
-------------	---

<b>Function</b>	<b>Please Refer to Function Sheet</b>
-----------------	---------------------------------------

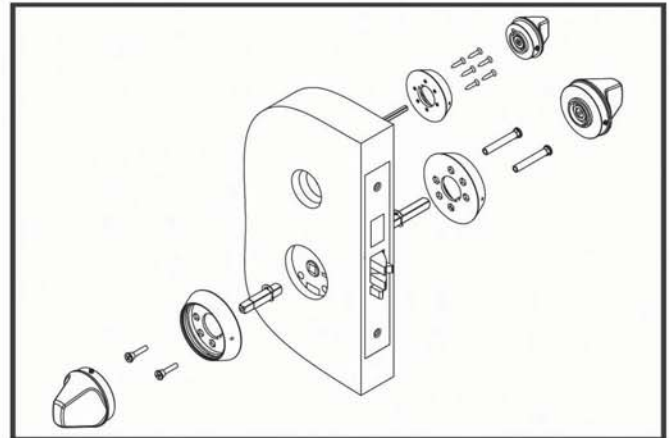
<b>IC</b>	<b>IC Less Core (Optional, Specify when ordering)</b>
-----------	---

<u>Example</u>	<u>MRX-E-L-04-IC</u>
<b>1. Ligature Resistant Lever Mortise - Escutcheon Trim</b>	_____
<b>2. Function</b>	_____
<b>3. IC (optional)</b>	_____

## Important Note

It is TownSteel's position that if any of our keyed locks are to be used less cylinder, whether I.C. or standard, and another manufacturer's cylinder is to be used in place of the TownSteel original manufacturer's cylinder, that a sample of that product be provided to TownSteel in advance for testing.

# MRX-K ANSI Grade 1 Mortise Lock with Ligature Resistant Trim-Knob



## Specification

- For facilities housing patients at risk
- For 1-3/4" door thickness, other upon request
- 2-3/4" backset
- Handed, field reversible
- US32D finish
- Stainless steel rose (MRX-S-K), 2" in diameter
- Stainless steel escutcheon (MRX-E-K), 8" x 3-1/4" x 1/8"
- Stainless steel knob, ligature resistant
- Stainless steel turn piece
- Stainless steel faceplate, 1-1/4" x 8"
- Stainless steel strike, ASA, 1-1/4" x 4-7/8"
- Through-bolt mounting, tamper resistant mounting screws, for wood and metal door
- Brass cylinder with stainless steel cover, 6 pin, Schlage "C" keyway standard, 2 keys per cylinder
- Small Format IC available with or without core, 6 or 7 pin core
- Schlage Large Format IC available in less core
- Corbin Large Format IC available in less core, for 6 pin core
- High Security Cylinder available, TownSteel "L" keyway, 6 pin
- High Security Small Format IC Core available, TownSteel "L" keyway, 7 pin
- 5-year limited warranty

## Code Compliance

ANSI/BHMA A156.13-2012 Grade 1 Certified  
UL/ULC UL 10C listed 3-hour rating

BAA Meets requirements of the Buy American Act



## How To Order

Trim	MRX-E-K Ligature Resistant Mortise-Escutcheon Trim MRX-S-K Ligature Resistant Mortise-Sectional Trim
Function	Please Refer to Function Sheet
IC	IC Less Core (Optional, Specify when ordering)

### Example

**MRX-E-K-04-IC**

1. Ligature Resistant Knob Mortise - Escutcheon Trim
2. Function
3. IC (optional)




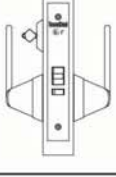
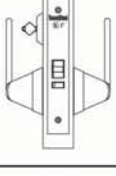



## Important Note

It is TownSteel's position that if any of our keyed locks are to be used less cylinder, whether I.C. or standard, and another manufacturer's cylinder is to be used in place of the TownSteel original manufacturer's cylinder, that a sample of that product be provided to TownSteel in advance for testing.

# Ligature Resistant Mortise Series

## Functions\*

\*Levers rotate up and down freely in the locked or unlocked positions

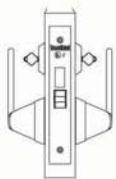


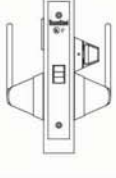
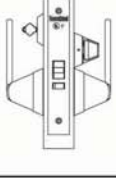

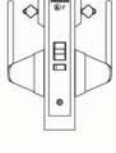
Outside	Inside	Series/ Function	Type	ANSI No.	Function Description
		MRXL-01 MRXK-01 MRXA-01	Passage or Closet	F01	Latch bolt operated by lever from either side at all times.
		MRXL-02 MRXK-02 MRXA-02	Privacy or Bathroom	F02	Latch bolt operated by lever from either side. Dead bolt operated by turn from inside and emergency release from outside.
		MRXL-04 MRXK-04 MRXA-04	Entry/ Office	F04	Latch bolt operated by lever from either side, except when outside lever is made inoperative by a push button rocker. When outside lever is locked, latch bolt is retracted by key from outside or by operating inside lever. ***Auxiliary dead latch.
		MRXL-05 MRXK-05 MRXA-05	Classroom	F05	Latch bolt operated by lever from either side, except when outside lever is locked from outside by key. When outside lever is locked, latch bolt may be retracted by key, or by operating key and outside lever or by operating inside lever. ***Auxiliary dead latch.
		MRXL-07 MRXK-07 MRXA-07	Storeroom or Closet	F07	Latch bolt operated by key from outside or by rotating inside lever. Outside lever is always inoperative. ***Auxiliary dead latch.
		MRXL-08 MRXK-08 MRXA-08	Front Door or Corridor Lock	F08	Latch bolt operated by lever from either side, except when outside lever is made inoperative by a push button rocker. Dead bolt is operated by turn inside. Key outside operates both bolts.
		MRXL-12 MRXK-12 MRXA-12	Dormitory or Exit	F12	Latch bolt operated by lever from either side, except when outside lever is made inoperative by a push button rocker. Dead bolt projected by key from outside and by turn from inside. Deadbolt retracted by key from outside and by turn from inside. Operating inside lever retracts both bolts and outside remains locked.
		MRXL-13 MRXK-13 MRXA-13	Dormitory or Exit	F13	Latch bolt operated by lever from either side. Dead bolt projected by key from outside and thumb turn from inside. Operating inside lever retracts both bolts and unlocks outside.



# Ligature Resistant Mortise Series

## Functions\*

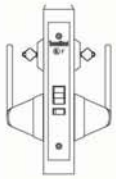
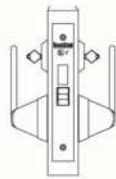
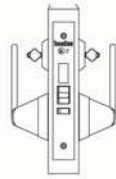
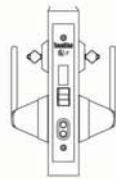
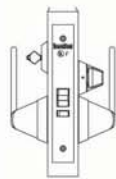


\*Levers rotate up and down freely in the locked or unlocked positions

Outside	Inside	Series/ Function	Type	ANSI No.	Function Description
		MRXL-14 MRXA-14	Store Door Lock	F14	Latch bolt operated by lever from either side. Dead bolt operated by key from either side.
		MRXL-19 MRXK-19 MRXA-19	Privacy or Bathroom	F19	Latch bolt operated by lever from either side. Dead bolt operated by turn from inside and emergency release from outside. Operating inside lever retracts both bolts.
		MRXL-20 MRXK-20 MRXA-20	Apartment/ Corridor	F20	Latch bolt operated by lever from either side, except when outside lever is made inoperative by push button rocker. Dead bolt projected by key from outside and by thumb turn from inside. Key outside operates both bolts. Operating inside lever retracts both bolts and outside remains locked. Latch bolt is deadlocked when outside lever is made inoperative or when the dead bolt is projected. When dead bolt is retracted, lever is unlocked by stop or mechanical means other than key.
		MRXL-22 MRXK-22 MRXA-22	Privacy	F22	Latch bolt operated by lever from either side, except when outside lever is locked by inside turn. Operating inside lever, closing door or operating outside emergency release unlocks outside lever.
		MRXL-26 MRXK-26	Institutional Privacy	F26	Latch bolt operated by lever from either side except when outside lever is locked by turn inside. Latch bolt operated by key outside with override of turn inside when manually held in locked position. Operating inside lever or closing door unlocks outside lever. ***Auxiliary dead latch.
		MRXL-29 MRXK-29 MRXA-29	Classroom Dead Lock	F29	Key from outside operates dead bolt. Turn from inside retracts but does not project dead bolt.
		MRXL-30 MRXK-30 MRXA-30	Institutional	F30	Latch bolt operated by key either side. Both levers always inoperative. ***Auxiliary dead latch.

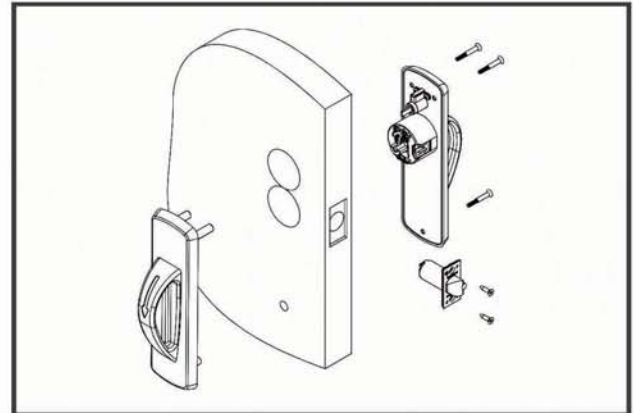
# Ligature Resistant Mortise Series

## Functions\*

\*Levers rotate up and down freely in the locked or unlocked positions

Outside	Inside	Series/ Function	Type	ANSI No.	Function Description
		MRXL-32 MRXK-32 MRXA-32	Intruder Latch bolt	F32	Latch bolt operated by lever either side, except when outside lever is locked from inside or outside by key. When outside lever is locked, latch bolt is retracted by key from inside or outside or by operating inside lever. ***Auxiliary dead latch
		MRXL-33 MRXK-33 MRXA-33	Intruder Dead bolt	F33	Latch bolt operated by lever either side, except when outside lever is locked from inside or outside by key. Dead bolt operated by key either side. Inside lever retracts both bolts and unlocks outside lever.
		MRXL-34 MRXK-34 MRXA-34	Intruder Dead bolt	F34	Latch bolt operated by lever either side, except when outside lever is locked from inside or outside by key. Dead bolt operated by key either side. Operating inside lever retracts both bolts and unlocks outside. *** Auxiliary dead latch or latch bolt dead locked when dead bolt is thrown.
		MRXL-35 MRXK-35 MRXA-35	Storeroom with Dead bolt	F35	Latch bolt operated by lever from either side, except when outside lever is made inoperative by a push button rocker. Dead bolt operated by key from either side.
		MRXL-46 MRXK-46	Institutional Privacy with key locked feature		Latch bolt operated by lever from either side except when outside lever is locked by turn inside or key outside. Latch bolt operated by key outside with override of turn inside when manually held in locked position. Operating inside lever or closing door unlocks outside lever. ***Auxiliary dead latch.
		MRXL-RF MRXK-RF	Female Privacy RF		Latch bolt operated by lever from either side except when outside lever is locked from outside by key or inside turn. When outside lever is locked latch bolt may be retracted by inside lever or outside lever when unlocked by key. Inside lever retracts the latch bolt but does not unlock the outside lever.
		MRXL-LTF MRXK-LTF	Female Privacy LTF		Latch bolt operated by lever from either side except when outside lever is locked from outside by key or inside turn. When outside lever is locked latch bolt may be retracted by inside lever or outside lever when unlocked by key. Operating the inside lever or closing the door unlocks the outside lever.

# CRX-A ANSI Grade 1 Cylindrical Lock with Ligature Resistant Trim-Arch



## Specification

- ANSI Grade 1 heavy duty cylindrical with 5-point ligature resistant arch trim
- Backset 2-3/4" standard, 5" optional
- Door thickness: 1-3/4", other upon request
- Stainless steel arch trim, 2-5/8" projection
- Stainless steel plate, 9-5/8" x 2-13/16"
- Stainless steel deadlocking latch bolt, 1/2" throw
- Stainless steel ASA strike standard
- Tamper resistant mounting screws
- Handed
- Schlage "C" keyway, brass 6 pin cylinder standard
- Best® Small Format I.C. available, 6 or 7 pin, with or without core
- Schlage® Large Format I.C. less core available
- Corbin® Large Format I.C. less core available
- High security cylinder available, TownSteel "L" keyway, 6 pin
- KD standard, KA, MK, GMK, GGMK and construction keying available
- Available functions: F-75, 76, 84, 86, Single Dummy(F-41), Pair Dummy(F-72)
- Door Prep: 161 plus 2-1/8" cylinder hole and 1/2" bottom post hole
- 5-year Manufacturer's Limited Warranty

## Code Compliance

- OMH** Accepted by New York State Office of Mental Health Patient Safety Standard
- ANSI/BHMA** Complies with ANSI/BHMA A156.2-2011 Grade 1

- UL/ULC** UL 10C Listed 3-Hour Fire Rating
- BAA** Meets requirements of the Buy American Act
- ADA** Meets requirements of the Americans with Disabilities Act



## How To Order

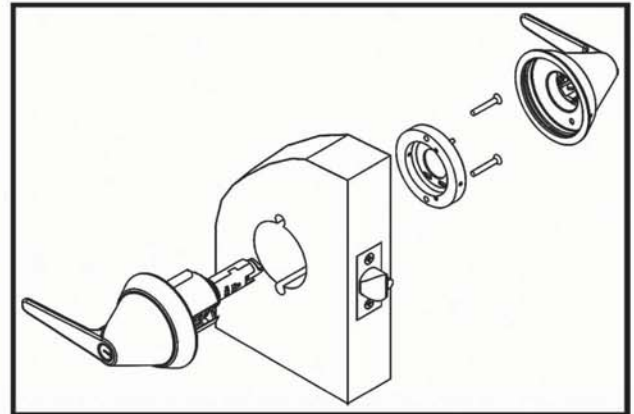
<b>Series</b>	<b>CRX-A: Heavy Duty Ligature Resistant Cylindrical</b>
<b>Function</b>	<b>ANSI F-75, 76, 84, 86, 41, 72</b>
<b>Handing</b>	<b>LH, RH, LHR, RHR</b>
<b>Cylinder/Keying</b>	<b>Specify when ordering</b>

<b>Example</b>	<b>CRX-A-75-LH</b>
1. CRX-A: Heavy Duty Ligature Resistant Cylindrical	_____
2. 75: F-75 Passage	_____
3. LH: Left Handed	_____

## Important Note

It is TownSteel's position that if any of our keyed locks are to be used less cylinder, whether I.C. or standard, and another manufacturer's cylinder is to be used in place of the TownSteel original manufacturer's cylinder, that a sample of that product be provided to TownSteel in advance for testing.

# TRX-L ANSI Grade 1 Cylindrical Lock with Ligature Resistant Trim-Lever



## Specification

- For facilities housing patients at risk
- For door thickness 1-3/4"-2"
- 2-3/4" backset standard, 5" optional
- Non-handed
- Refer to function sheet for available functions
- US32D finish
- Stainless steel rose, 3-5/8" in diameter
- Stainless steel lever, ligature resistant
- Stainless steel faceplate, 1-1/8" x 2-1/4"
- Stainless steel strike, ASA, 1-1/4" x 4-7/8"
- Through-bolt mounting, tamper resistant mounting screws, for wood and metal door
- Brass cylinder with stainless steel cover, 6 pin, Schalge "C" keyway standard, 2 keys per cylinder
- Small Format IC available with or without core, 6 or 7 pin core
- Schlage® Large Format I.C. less core available
- Corbin® Large Format I.C. less core available
- High Security Cylinder available, TownSteel "L" keyway, 6 pin
- High Security Small Format IC Core available, TownSteel "L" keyway, 7 pin
- 5-year limited warranty

## Code Compliance

<b>OMH</b>	Accepted by New York State Office of Mental Health Patient Safety Standard
<b>ANSI/BHMA</b>	A156.13-2012 Grade 1 Certified
<b>UL/ULC</b>	UL 10C listed 3-hour rating
<b>BAA</b>	Meets requirements of the Buy American Act

**ADA** Meets requirements of the Americans with Disabilities Act

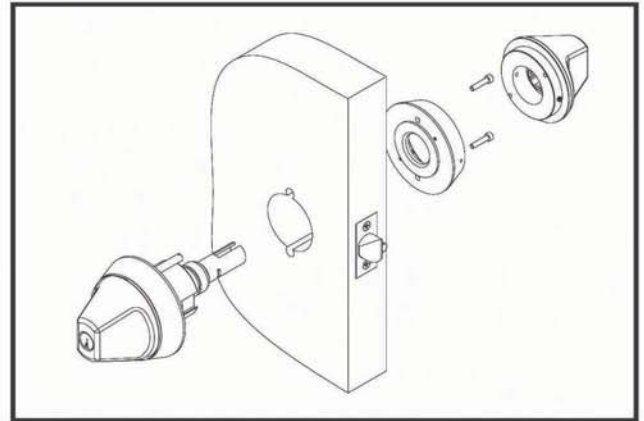


How To Order	
<b>Trim</b>	TRX-L Ligature Resistant Lever Grade 1 Cylindrical Lock
<b>Function</b>	Please Refer to Function Sheet
<b>IC</b>	IC
<b>Example</b>	
<b>1. Ligature Resistant Lever Cylindrical</b>	TRX-L-81-IC
<b>2. Function</b>	
<b>3. IC (optional)</b>	

## Important Note

It is TownSteel's position that if any of our keyed locks are to be used less cylinder, whether I.C. or standard, and another manufacturer's cylinder is to be used in place of the TownSteel original manufacturer's cylinder, that a sample of that product be provided to TownSteel in advance for testing.

# CRX-K ANSI Grade 1 Cylindrical Lock with Ligature Resistant Trim-Knob



## Specification

- For facilities housing patients at risk
- For door thickness 1-3/4"-2"
- 2-3/4" backset standard, 5" optional
- Non-handed
- Refer to Function Section for available functions
- US32D finish
- Stainless steel rose, 4" in diameter
- Stainless steel knob, ligature resistant
- Stainless steel faceplate 1-1/8" x 2-1/4"
- Stainless steel strike, ASA, 1-1/4" x 4-7/8"
- Through-bolt mounting, tamper resistant mounting screws, for wood and metal door
- Brass cylinder with stainless steel cover, 6 pin, Schalge "C" keyway standard, 2 keys per cylinder
- Small Format IC not available
- High Security Cylinder available, TownSteel "L" keyway, 6 pin
- 5-year limited warranty

## Code Compliance

- ANSI/BHMA** Complies with ANSI/BHMA A156.2-2011 Grade 1
- UL/ULC** UL 10C listed 3-hour rating
- BAA** Meets requirements of the Buy American Act

## How To Order

<b>Trim</b>	<b>CRX-K Ligature Resistant Knob Grade 1 Cylindrical Lock</b>
<b>Function</b>	<b>Please Refer to Function Sheet</b>
<b>Example</b>	
<b>1. Ligature Resistant Knob Cylindrical</b>	<b>CRX-K-84</b>
<b>2. Function</b>	

## Important Note


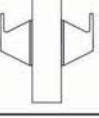
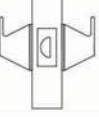
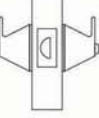
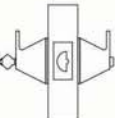
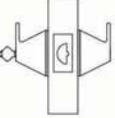
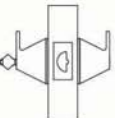
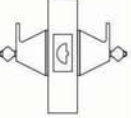
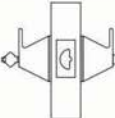
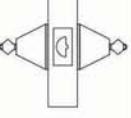
It is TownSteel's position that if any of our keyed locks are to be used less cylinder, whether I.C. or standard, and another manufacturer's cylinder is to be used in place of the TownSteel original manufacturer's cylinder, that a sample of that product be provided to TownSteel in advance for testing.



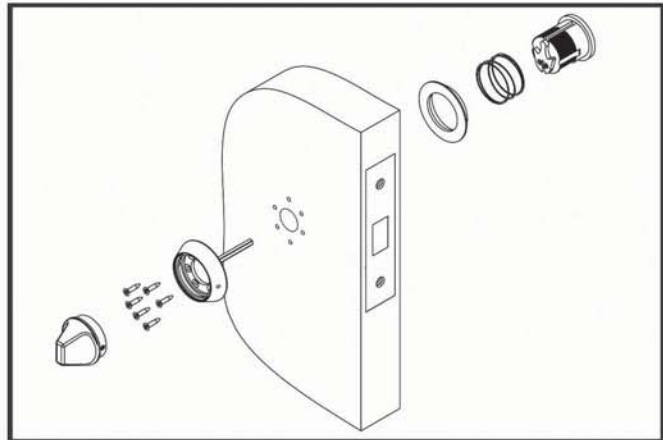
# Ligature Resistant Cylindrical Series

## Functions\*

\*Levers rotate up and down freely in the locked or unlocked positions

Outside	Inside	Series/ Function	Type	ANSI No.	Function Description
		CRXA-41	Single Dummy		Dummy trim on one side, blank plate on the other side.
		CRXA-72 CRXK-72 TRXL-72	Double Dummy	F72	Dummy trim on both sides.
		CRXA-75 CRXK-75 TRXL-75	Passage / Closet	F75	Latch bolt operated by lever or knob from either side at all times.
		CRXA-76 CRXK-76 TRXL-76	Privacy	F76	Latch bolt operated by lever or knob from either side. Outside lever or knob is locked by push button inside and unlocked by emergency release outside, operating inside lever or knob or closing door.
		CRXK-81	Entry / Office	F81	Turn/Push button locking. Pushing and turning button locks outside lever or knob requiring use of key until button is manually unlocked. Pushing button locks outside lever or knob until unlocked from outside by key or operating inside lever or knob. Dead locking latch bolt.
		CRXA-84 CRXK-84 TRXL-84	Classroom	F84	Deadlocking latch bolt operated by lever or knob from either side except when outside lever or knob is locked from outside by key. When outside lever or knob is locked, latch bolt is operated by key in outside lever or knob or operating inside lever or knob.
		CRXA-86 CRXK-86 TRXL-86	Storeroom	F86	Deadlocking latch bolt operated by key in outside lever or knob or operating inside lever or knob. Outside lever or knob is always non-active.
		CRXK-87 TRXL-87	Asylum	F87	Deadlocking latch bolt operated by key in lever or knob from either side. Both levers or knobs always non-active.
		TRXL-109	Entry/Office	F109	Dead locking latch bolt operated by lever from either side except when outside lever is locked by the push or turn button on inside. Key outside or operating inside lever releases push or turn button unlocking outside lever except when push or turn button has been rotated to keep outside lever locked. Inside push or turn button must be manually operated to unlock outside lever. Inside lever always operates latch bolt
		CRXK-110 TRXL-110	Classroom Intruder	F110	Deadlocking Latch bolt operated by knob from either side except when outside knob is locked from the inside or outside by key. When outside knob is locked latch bolt is operated by inside knob or unlocked by key in outside or inside knob.

# DRX ANSI Grade 1 Mortise Deadbolt Lock with Ligature Resistant Thumb Turn



DRX Series- Heavy duty commercial quality deadbolt that provides a positive deterrent to forced entry. The health safety thumb turn design enhances opportunity to reduce accidents in health care facilities, detention centers and potential high risk areas. It is also designed to be an integral part of your Accident Prevention and Safety Program. Schlage C keyway, standard Small Format 6 or 7 pin Interchangeable Core (SFIC) available. 32D Finish. ADA Turn piece available



## DRX Functions

<b>ANSI F09</b>		Deadbolt operated by key from outside and turn from inside turn retracts but does not project deadbolt
<b>ANSI F07</b>		Deadbolt operated by key from outside and turn from inside
<b>ANSI F18</b>		Deadbolt operated by turn from inside only, no trim on other side

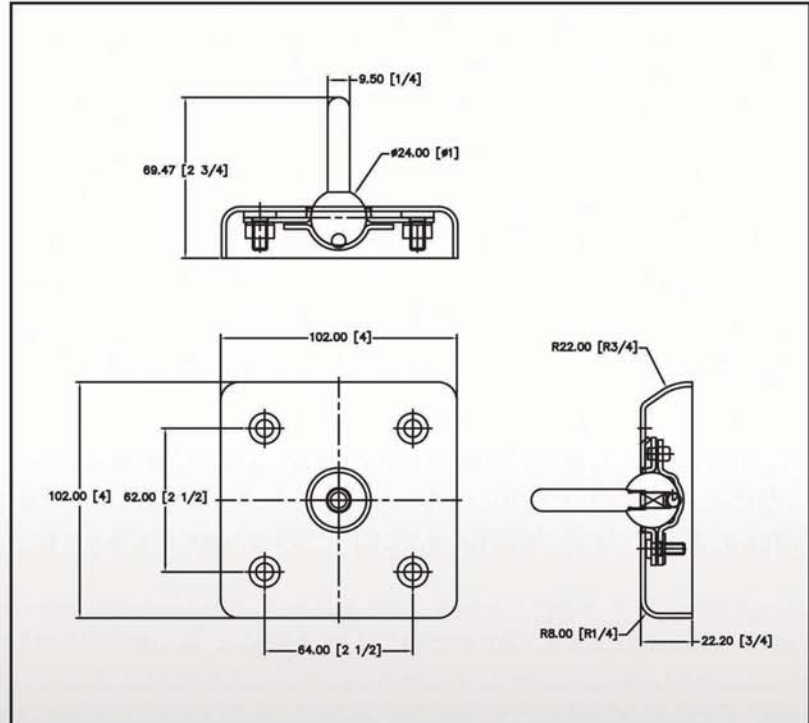
### How To Order

Trim	DRX Ligature Resistant Knob Deadbolt Lock
Function	F09, F07, F18
<b>Example</b>	
1. Ligature Resistant Knob Deadbolt	DRX-18
2. Function	

### Important Note

It is TownSteel's position that if any of our keyed locks are to be used less cylinder, whether I.C. or standard, and another manufacturer's cylinder is to be used in place of the TownSteel original manufacturer's cylinder, that a sample of that product be provided to TownSteel in advance for testing.

# VRH Ligature Resistant Hook



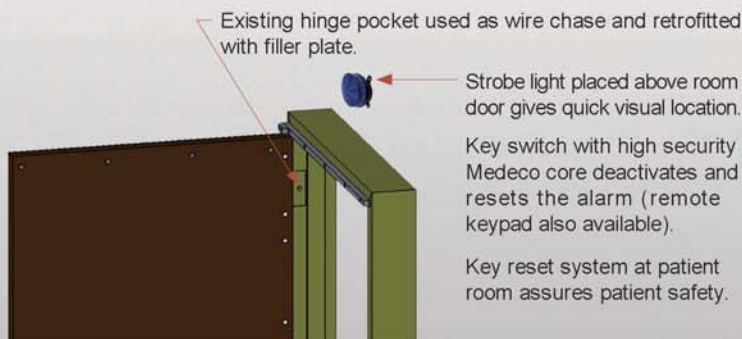
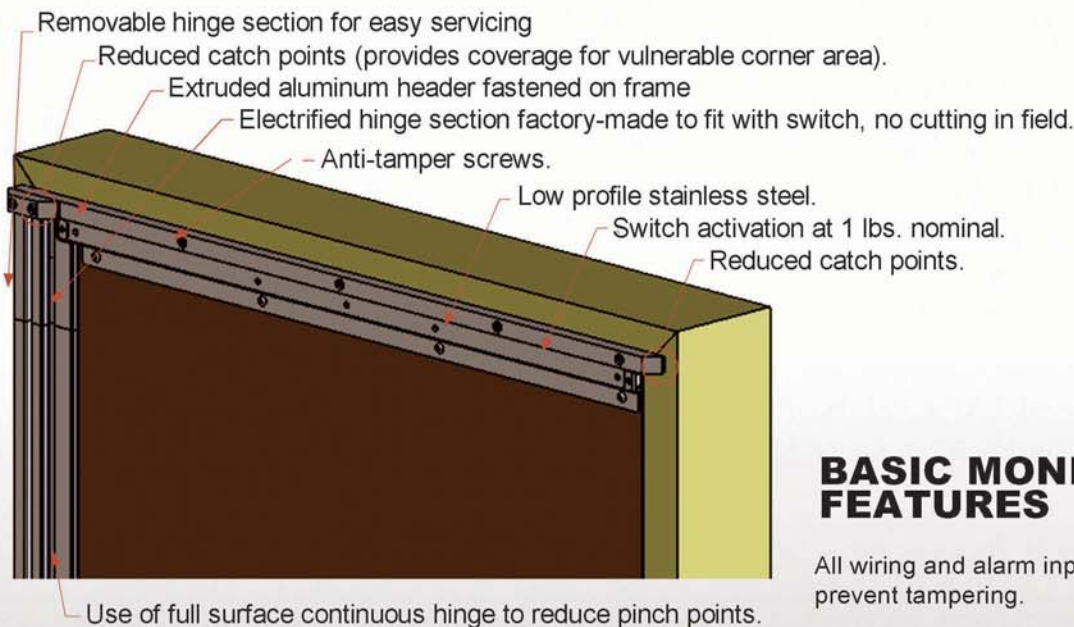
## FEATURES

- Ideal for hospital, school and other institutions
- 14 gauge heavy duty 18-8, type-304 stainless steel back plate
- Stainless steel pivoting ball joint releases when over 10lbs of force applied
- Pivoting ball tension adjustable
- Surface mounted
- Furnished with tamper resistant #14 x 1-1/2" wood screws
- Available finish: Satin Stainless Steel (US32D)



# TDS Ligature Resistant Door Switch

## TDS Door Switch -Ligature Resistant Device for facilities housing patients at risk



Example of Basic Monitoring Keypad Console

### BASIC MONITORING PANEL FEATURES

All wiring and alarm input/output devices are supervised to prevent tampering.

48 double door, 96 single door rooms available on single basic panel. Up to eight panels can be linked together to monitor a total of 384-788 rooms.

Keypad console audible indicator and two-line, 32 character LCD display alerts an alarm condition or system trouble at nurses' station.

Main panel provides an event log (history log) that can store up to 512 events. Logged events can be viewed on keypad console.

Keypad or laptop programmable.

Keypad "beep" walk test feature performed without triggering sirens and strobes.

Independently controlled notification devices (sirens) can be stationed in wings, floors and/or other designated areas of a facility.

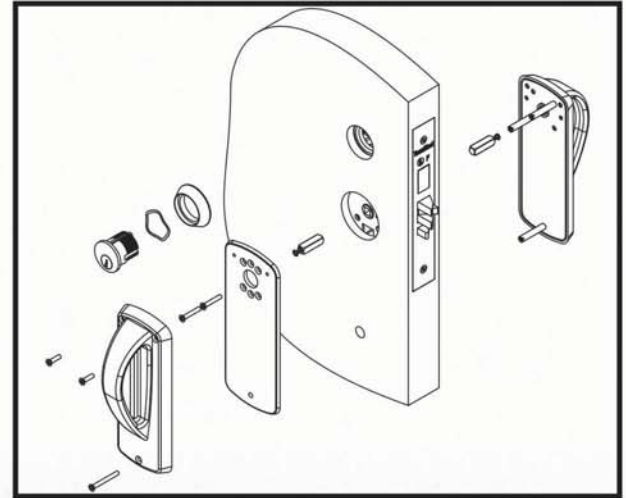
Panel is UL, ULC, CSFM, FM, MEA.

### NEW ! Townsteel Door Switch

The TownSteel Door Switch is a patented design. (US Patent No. RE42,991)

For more information, please visit [www.townsteel.com](http://www.townsteel.com) or call toll free at ( 877) 858-0888

# XMRXA Electrified Ligature Resistant Mortise Lock



## Specification

- ANSI Grade 1 heavy duty mortise lock with 5-point ligature resistant arch trim
- Backset 2-3/4"
- Door thickness: 1-3/4" standard, other upon request
- Stainless steel arch trim
- Stainless steel latch bolt, split, anti-friction, 3/4" throw
- Stainless steel dead bolt, with anti-saw pins, 1" projection
- Stainless steel ADA thumb turn standard
- Stainless steel ANSI strike
- Tamper resistant stainless steel mounting screws
- Handed
- Schlage "C" keyway, brass 6 pin cylinder standard
- SFIC with or less core available, 6 or 7 pin core
- LFIC less core available
- Corbin® LFIC less core available
- High security cylinder available, TownSteel "L" keyway, 6 pin
- High security SFIC core available, TownSteel "L" keyway, 7 pin
- KD, KA, MK, GMK, GGMK and construction keying available
- Available finish: US32D
- 5-year Manufacturer's Limited Warranty

## Electrified Specification

- 24VDC or 12VDC
- Fail Safe or Fail Secure
- 3 Monitoring capabilities
  - Request-For-Exit
  - Door Position
  - Latch Position

## Code Compliance

- ANSI/BHMA** A156.13-2012 Grade 1 Certified
- UL/ULC** UL 10C Listed 3-Hour Fire Rating
- BAA** Meets requirements of The Buy American Act
- ADA** Meets requirement of The Americans with Disabilities Act



## How To Order

<b>Trim</b>	<b>XMRX-A Electrified Ligature Resistant Lever Mortise with Arch Trim</b>
<b>Function</b>	<b>Please Refer to Electrified Function Sheet</b>
<b>Keying/Cylinder</b>	<b>Specify when ordering</b>
<b>Handing</b>	<b>LH, RH, LHR, RHR</b>

### Example

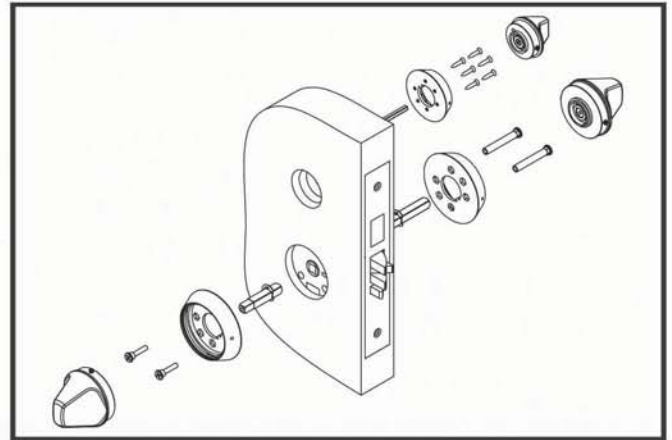
**XMRX-A-121-LH**

1. Ligature Resistant Lever Mortise - Escutcheon Trim
2. Function
3. LH

## Important Note

It is TownSteel's position that if any of our keyed locks are to be used less cylinder, whether I.C. or standard, and another manufacturer's cylinder is to be used in place of the TownSteel original manufacturer's cylinder, that a sample of that product be provided to TownSteel in advance for testing.

# XMRXK Electrified Ligature Resistant Mortise Lock



## Mechanical Specification

- ANSI Grade 1 heavy duty mortise lock with ligature resistant safety knob trim
- Escutcheon (XMRX-E-K) or sectional (XMRX-S-K) trim set
- Backset 2-3/4"
- Door thickness: 1-3/4" standard, other upon request
- Stainless steel knob trim
- Stainless steel latch bolt, split, anti-friction, 3/4" throw
- Stainless steel dead bolt, with anti-saw pins, 1" projection
- Stainless steel thumb turn
- Stainless steel ANSI strike
- Tamper resistant stainless steel mounting screws
- Handing field reversible
- Schlage "C" keyway, brass 6 pin cylinder standard
- SFIC with or less core available, 6 or 7 pin core
- Schlage® LFIC less core available
- Corbin® LFIC less core available
- High security cylinder available, TownSteel " L" keyway, 6 pin
- High security SFIC core available, TownSteel " L" keyway , 7 pin
- Keyed Different standard, KA, MK, GMK, GGМК and construction keying available
- Available finish: US32D
- 5-year Manufacturer's Limited Warranty

## Electrified Specification

- 24VDC or 12VDC
- Fail Safe or Fail Secure
- 3 Monitoring capabilities
  - Request-For-Exit
  - Door Position
  - Latch Position

## Code Compliance

- ANSI/BHMA** A156.13-2012 Grade 1 Certified
- UL/ULC** UL 10C Listed 3-Hour Fire Rating
- BAA** Meets requirements of The Buy American Act



## How To Order


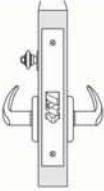
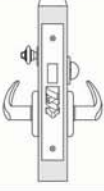
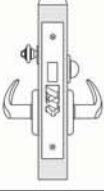
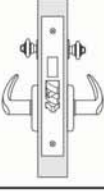
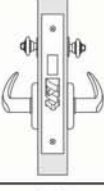
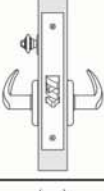
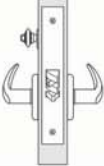
<b>Trim</b>	<b>XMRX-E-K Electrified Ligature Resistant Mortise - Escutcheon Trim with Knob</b> <b>XMRX-S-K Electrified Ligature Resistant Mortise - Sectional Trim with Knob</b>
<b>Function</b>	<b>Please Refer to Electrified Function Sheet</b>
<b>Keying/ Cylinder</b>	<b>Specify when ordering</b>
<b>Handing</b>	<b>LH, RH, LHR, RHR</b>
<b>Example</b>	
<b>1. Ligature Resistant Lever Mortise - Escutcheon Trim</b>	<b>XMRX-E-K-121-LH</b>
<b>2. Function</b>	
<b>3. LH</b>	

## Important Note

It is TownSteel's position that if any of our keyed locks are to be used less cylinder, whether I.C. or standard, and another manufacturer's cylinder is to be used in place of the TownSteel original manufacturer's cylinder, that a sample of that product be provided to TownSteel in advance for testing.

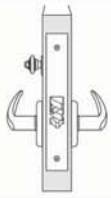
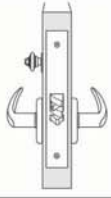
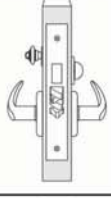
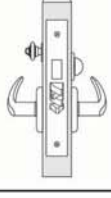
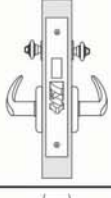
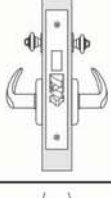
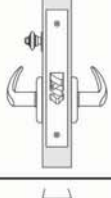
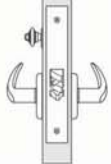
# Electrified Mortise Lock Function Sheet

## Functions \*

Outside	Inside	Series/ Function	Type	ANSI No.	Function Description
		121	12VDC Fail Safe, 3-position monitoring	N/A	12VDC voltage, fail safe, Monitors Request-to-Exit, Door Position Status and Latch Position Status. Latch bolt is operated by lever from either side when no power is supplied. Powering unit locks outside lever. When locked, latch bolt can be retracted by key. Auxiliary latch bolt.
		122	12VDC Fail Secure 3-position monitoring	N/A	12VDC voltage, fail secure, Monitors Request-to-Exit, Door Position Status and Latch Position Status. Powered unit latch bolt is operated by lever from either side. When no power is applied outside lever is locked. When locked, latch bolt can be retracted by key. Auxiliary latch bolt.
		121DB	12VDC Fail Safe Dead Bolt RQE	N/A	12VDC voltage, fail safe, with Dead Bolt, Monitors Request-to-Exit. Latch bolt is operated by lever from either side when no power is supplied. Powering unit locks outside lever. Dead bolt can be operated from outside with key and inside by thumb turn. When locked, latch bolt can be retracted by key. Rotating inside lever retracts both bolts. Auxiliary latch bolt.
		122DB	12VDC Fail Secure Dead Bolt RQE	N/A	12VDC voltage, fail secure, with Dead Bolt, Monitors Request-to-Exit. Powered unit latch bolt is operated by lever from either side. When no power is applied outside lever is locked. Dead bolt can be operated from outside with key and inside by thumb turn. When locked, latch bolt can be retracted by key. Rotating inside lever retracts both bolts. Auxiliary latch bolt.
		121DC	12VDC Fail Safe Dead Bolt RQE	N/A	12VDC voltage, fail safe, with Dead Bolt, Monitors Request-to-Exit. Latch bolt is operated by lever from either side when no power is supplied. Powering unit locks outside lever. Dead bolt can be operated from inside and outside with key. When locked, latch bolt can be retracted by key. Rotating inside lever retracts both bolts. Auxiliary latch bolt.
		122DC	12VDC Fail Secure Dead Bolt RQE	N/A	12VDC voltage, fail secure, with Dead Bolt, Monitors Request-to-Exit. Powered unit latch bolt is operated by lever from either side. When no power is applied outside lever is locked. Dead bolt can be operated from inside and outside with key. When locked, latch bolt can be retracted by key. Rotating inside lever retracts both bolts. Auxiliary latch bolt.
		121RQE	12VDC Fail Safe RQE	N/A	12VDC voltage, fail safe, Monitors Request-to-Exit. Latch bolt is operated by lever from either side when no power is supplied. Powering unit locks outside lever. When locked, latch bolt can be retracted by key from outside. Auxiliary latch bolt.
		122RQE	12VDC Fail Secure RQE	N/A	12VDC voltage, fail secure, Monitors Request-to-Exit. Powered unit latch bolt is operated by lever from either side. When no power is applied, outside lever is locked. When locked, latch bolt can be retracted by key from outside. Auxiliary latch bolt.

# Electrified Mortise Lock Function Sheet

## Functions\*

Outside	Inside	Series/ Function	Type	ANSI No.	Function Description
		241	24VDC Fail Safe 3-position monitoring	N/A	24VDC, fail safe, Monitors Request-to-Exit, Door Position Status and Latch Position Status. Latch bolt is operated by lever from either side when no power is supplied. Powering unit locks outside lever. When locked, the latch bolt can be retracted by key. Auxiliary latch bolt.
		242	24VDC Fail Secure 3-position monitoring	N/A	24VDC, fail secure, Monitors Request-to-Exit, Door Position Status and Latch Position Status. Powered unit latch bolt is operated by lever from either side. When no power is applied outside lever is locked. When locked, latch bolt can be retracted by key. Auxiliary latch bolt.
		241DB	24VDC Fail Safe Dead Bolt RQE	N/A	24VDC voltage, fail safe, with Dead Bolt, Monitors Request-to-Exit. Latch bolt is operated by lever from either side when no power is supplied. Powering unit locks outside lever. Dead bolt can be operated from outside with key and inside by thumb turn. When locked, latch bolt can be retracted by key. Rotating inside lever retracts both bolts. Auxiliary latch bolt.
		242DB	24VDC Fail Secure Dead Bolt RQE	N/A	24VDC voltage, fail secure, with Dead Bolt, Monitors Request-to-Exit. Powered unit latch bolt is operated by lever from either side. When no power is applied outside lever is locked. Dead bolt can be operated from outside with key and inside by thumb turn. When locked, latch bolt can be retracted by key. Rotating inside lever retracts both bolts. Auxiliary latch bolt.
		241DC	24VDC Fail Safe Dead Bolt RQE	N/A	24VDC voltage, fail safe, with Dead Bolt, Monitors Request-to-Exit. Latch bolt is operated by lever from either side when no power is supplied. Powering unit locks outside lever. Dead bolt can be operated from inside and outside with key. When locked, latch bolt can be retracted by key. Rotating inside lever retracts both bolts. Auxiliary latch bolt.
		242DC	24VDC Fail Secure Dead Bolt RQE	N/A	24VDC voltage, fail secure, with Dead Bolt, Monitors Request-to-Exit. Powered unit latch bolt is operated by lever from either side. When no power is applied outside lever is locked. Dead bolt can be operated from inside and outside with key. When locked, latch bolt can be retracted by key. Rotating inside lever retracts both bolts. Auxiliary latch bolt.
		241RQE	24VDC Fail Safe RQE	N/A	24VDC voltage, fail safe, Monitors Request-to-Exit. Latch bolt is operated by lever from either side when no power is supplied. Powering unit locks outside lever. When locked, latch bolt can be retracted by key from outside. Auxiliary latch bolt.
		242RQE	24VDC Fail Secure RQE	N/A	24VDC voltage, fail secure, Monitors Request-to-Exit. Powered unit latch bolt is operated by lever from either side. When no power is applied, outside lever is locked. When locked, latch bolt can be retracted by key from outside. Auxiliary latch bolt.

# Ligature Resistant Project References



## MRX-L

- VA Medical Center, Murfreesboro, TN
- VA Medical Center, Nashville, TN
- VA Medical Center, Marion, IL
- VA Medical Center, Salt Lake City, UT
- VA Medical Center, Dayton, OH
- VA Hospital, Tampa, FL
- Forest View Hospital, Wyoming, MI
- Kingbrook Jewish Medical Center, Brooklyn, NY
- Capistrano Care Facility, San Juan Capistrano, CA
- Eastern L.I. Hospital, Greenport, NY
- New York Presbyterian Hospital, New York, NY
- Summit Ridge Hospital, Lawrenceville, GA
- VA Hospital, Tucson, AZ
- First Judicial District, Waterloo, IA
- Navy Medical Center Mental Health Bldg., San Diego, CA
- MSJ ER Psych Eval., Ashville, NC
- North Star Hospital, Anchorage, AK
- Pima Hospital, Tucson, AZ
- Johns Hopkins Hospital, Baltimore, MD
- Holly Hill Hospital, Raleigh, NC
- Jacobi Medical Center, Bronx, NY
- Meadows Hospital, Centre Hall, PA



## Other Ligature Resistant Products

- VA Medical Center, Marion, IL
- VA Medical Center, Murfreesboro, TN
- VA Medical Center, Jackson, MS
- Moberly Regional Hospital, Moberly, MO
- Dixie Regional Hospital, St. George, UT
- Fairfax Hospital, Falls Church, Virginia
- St. Elizabeth Medical Center, Youngstown, OH
- St. Joseph Medical Center, Towson, MD
- Carolina East Health Care, New Bern, NC
- Northern Westchester Hospital, Mt. Kisco, NY
- Abington Hospital, Abington, PA
- Central State Hospital, Milledgeville, GA
- East Central Georgia Regional Hospital, Augusta, GA
- St. Mary's Hospital, Richmond, VA
- Larue D. Carter Memorial, Indianapolis, IN
- Hoboken Hospital, Hoboken, NJ
- Clarks Summit State Hospital, Clarks Summit, PA
- Memorial Hospital, Stillwell, OK
- Thomas B Finan Center, Cumberland, MD
- Balboa Hospital, San Diego, CA
- Capistrano Care Facility, San Juan Capistrano, CA
- Four Winds Hospital, Saratoga Springs NY
- Lutheran Social Services, Sioux Falls, SD
- Olean General Hospital, Olean, NY
- Kaiser Hospital, Los Angeles, CA
- Northwest GA Regional Hospital, Rome, GA
- Howard Community Hospital, Kokomo, IN
- Vanderbilt Hospital, Nashville, TN
- Friends Behavioural Health System, Philadelphia, PA
- Medical Center of McKinney & Wysong Campus, McKinney, TX
- Canyon Hills Center-Luth Social, Spearfish, SD
- Children's Hospital, Dallas, TX
- Sarasota Memorial Public Hospital, Sarasota, FL
- Lewis Gail Hospital, Salem, VA
- Nova House, Dayton, OH
- VA Hospital, Loma Linda, CA
- Harrisonburg-Rockingham Community Services Board, Harrisonburg, VA
- CPSA, Tucson, AZ
- Adventist Health, Rockville, MD
- North Memorial Med Center, Robbinsdale, MN
- Flushing Hospital Medical Center, Flushing, NY



## MRX-K

- VA Hospital, North Chicago, IL
- University of Maryland Medical Center, Baltimore, MD
- NYP Adolescent Separation, New York, NY
- Gustavus Adolphus Home Jamestown, NY



## CRX-K

- Aurora Health Care, Wauwatosa, WI
- South Oaks Hospital, Long Island, NY
- Terre Haute Regional Hospital, Terre Haute, IN
- Oswego Hospital, Oswego, NY
- Research Psychiatric Center, Kansas City, MO
- West Central Georgia Regional Hospital, Columbus, GA
- Sentara Norfolk Hospital, Virginia Beach, VA
- KMC-Sycamore Hospital, Miamisburg, OH
- Long Island South Oaks Manor, Amityville, NY



## DRX

- VA Central Alabama Medical Center, Montgomery, AL
- Charlotte Behavioral Health Care, Punta Gorda, FL



17901 Railroad Street , City of Industry, CA 91748  
Toll Free: 877-858-0888 | Tel: 626-965-8917 | Fax: 626-965-8919  
Web: [www.townsteel.com](http://www.townsteel.com) Email: [sales@townsteel.com](mailto:sales@townsteel.com)