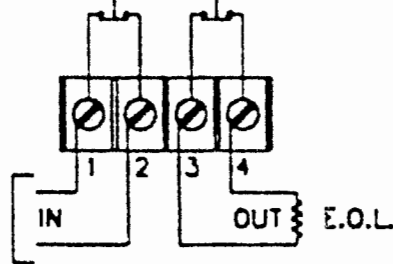


SURFACE MOUNT
INSTALLATION
MONTAGE EN SURFACE

SINGLE STAGE STATION
STATION A UNE ETAPE

cm710
cm712
cm701
cm703
TO CONTROL
PANEL
VERS PANNEAU
DE CONTROLE

MAIN SWITCH
INTERRUPTEUR PRINCIPAL

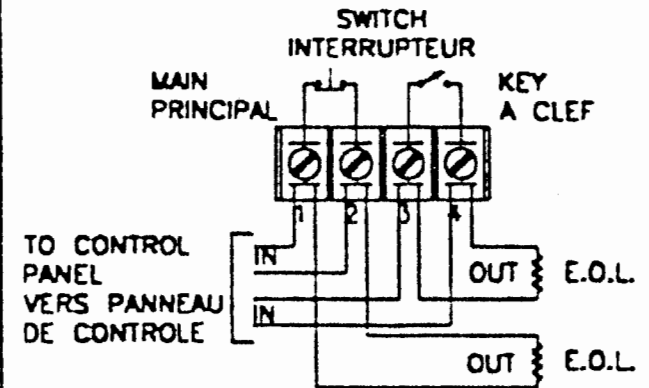


FOUR TERMINAL SCREWS
TERMINAUX A 4 VIS

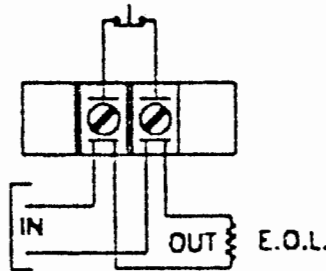
CM711

CM713

TWO STAGE STATION
STATION A DEUX ETAPES



TO CONTROL
PANEL
VERS PANNEAU
DE CONTROLE



TWO TERMINAL SCREWS
TERMINAUX A 2 VIS

RIGHT/BON

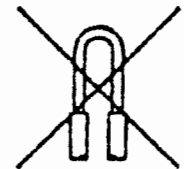


IN OUT

MUST BE SEPARATE
WIRES

LES FILS DOIVENT
ETRE SEPARES

WRONG/MALVAIS



IN OUT

LOOPED WIRE
UNACCEPTABLE

FILAGE EN
BOUCLE FERME
INACCEPTABLE

MANUAL STATIONS MANUELLES

CAMDEN MANUFACTURING