



# CM-333 Hybrid Battery Powered Switch with 1 Relay



BATTERY  
POWERED



1  
RELAY



WIRELESS  
OPTION

## CM-333 APPLICATION

### Battery Powered

Designed to retrofit non-powered push plate switches with sensor switches without any additional wiring.

These switches offer the longest alkaline battery life of any switch in the market, with the option for lithium batteries.

The SureWave™ family of touchless switches by Camden lead the industry in performance, quality and value - with a range of features unmatched by any other on the market.

CM-333 hybrid battery powered touchless switch with relay provides 'state of the art' door activation while eliminating the spread of germs.

Battery powered touchless switches offer an adjustable operating range, selectable motion sensing and momentary or maintained relay operation. CM-333 switches are also Lazerpoint RF™ compatible with CM-TX99 plug in wireless transmitter.



## SPECIFICATIONS

NO. OF IR SENSORS:	1
BATTERIES:	(2) 'AA' ALKALINE (SUPPLIED) (2) 'AA' LITHIUM BATTERIES (OPTIONAL)
ESTIMATED BATTERY LIFE:	2 YEARS (BASED ON 100 OPERATIONS/DAY)
STANDARD OPERATING RANGE:	1" - 12" (25.4MM - 304MM)
MOTION SENSING MODES:	MOMENTARY, MOMENTARY WITH ALARM MAINTAINED (LATCHING)
RELAY OUTPUT:	(1) FORM 'C' (SPDT)
RELAY CONTACT RATING:	3 AMPS @ 30 VDC
OUTPUT TYPE:	FAIL SAFE / NON-FAIL SAFE OPERATION
INPUTS:	REQUEST TO EXIT, EXTERNAL (DOOR CONTACT) INPUT
OPTIONAL WIRELESS OUTPUT:	TX-99 PLUG-IN 915MHZ.

## MODELS

<b>CM-333</b>	Hybrid Battery Powered Touchless Switch with 1 Relay
---------------	--

## OPTIONAL FACEPLATE MATERIAL (Supplied Black Polycarbonate Standard)

<b>S</b>	Stainless Steel Faceplate
----------	---------------------------

## OPTIONAL BATTERIES (2) 'AA' ALKALINE SUPPLIED

<b>-L1</b>	Add suffix '-L1' for (2) 'AA' Lithium Batteries in place of (2) Alkaline
<b>CM-LP1</b>	(2) AA Lithium Battery Pack

## OPTIONAL FACEPLATE SIZE (Supplied Single Gang Standard)



**Single Gang**  
Compatible surface  
mount box CM-34BL.



**/N - Narrow**  
Battery operated  
CM-333 is designed  
for mounting on  
door jamb.

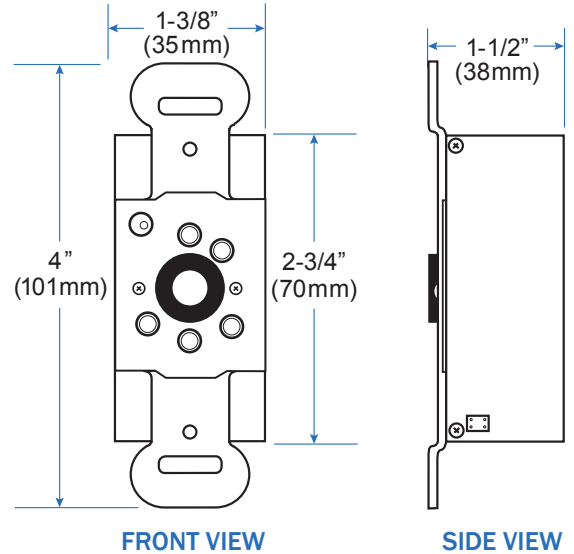


**/W - Double Gang**  
Compatible surface  
mounting box  
CM-43CBLA.



**/R - 6" Round**  
Stainless steel only.  
Indoor use only.  
Compatible semi-flush  
escutcheon, CM-79A.

## SWITCH DIMENSIONS



## OPTIONAL FACEPLATE GRAPHICS (Supplied Blank Standard)



/40



/41



/42



/43



/44

## OPTIONAL WIRELESS



**CM-TX99** 915Mhz. plug-in transmitter



**CM-RX90** V2 Lazerpoint RF™ single relay receiver,  
12/24V AC/DC



**CM-RX92** Lazerpoint RF™ dual relay receiver,  
12/24V AC/DC



For a complete list of all SureWave™ Touchless Switch Kits, please visit [www.camdencontrols.com](http://www.camdencontrols.com)



Opening New Doors to  
Innovation, Quality and Support!

5502 Timberlea Blvd. Mississauga, ON Canada L4W 2T7 • Toll Free: 1 877 226-3369 (CAMDEN9)  
Tel: (905) 366-3377 • Fax: (905) 366-3378 • E-mail: [info@camdencontrols.com](mailto:info@camdencontrols.com) • [www.camdencontrols.com](http://www.camdencontrols.com)



Certified ISO 9001:2015

FS 541752

Part #: MKTG-LIT-SP-CM-333