

Die Cast Cylinders

Ilco branded zinc die cast cylinders are used primarily for storefront lock and exit device applications. This cylinder is designed as an inexpensive option when brass quality and longevity is not a requirement.

Mortise Zinc Die Cast Cylinders

- 1" (25.4 mm)
- Available 5 pin only
- Thread Size is 1 5/32" (29.36 mm)
- 3 finishes (Aluminum, Dark Bronze, Black)
- Stamped Trim Ring included

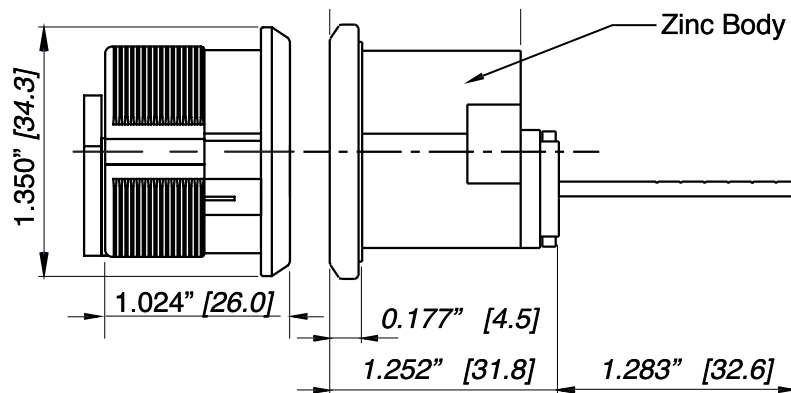
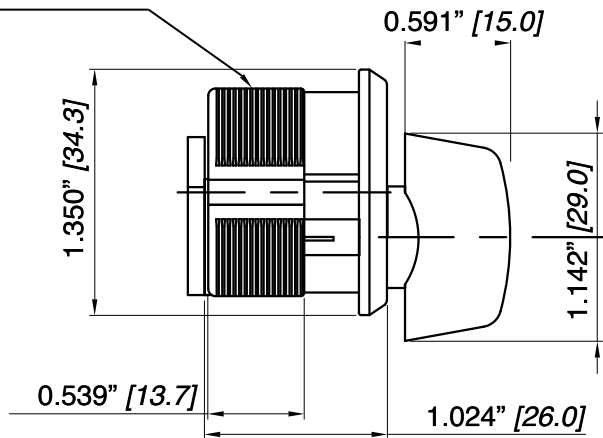
MKC Keyed Mortise, Schlage® C Keyway/AR Cam

MTC Turnknob Mortise, AR Cam

MDC Dummy Mortise



1.134" [28.8] - 32 Thread



Rim Zinc Die Cast Cylinder

- Schlage® C Keyway
- Available 5 pin only
- 3 finishes (Aluminum, Dark Bronze, Black)
- Includes rigid tailpiece
- Stamped trim ring and mounting screws included



MKC-RIM Rim Cylinder

CL- 404 Cylinder Guard

The CL-404 is designed specifically for Aluminum/Hollow Steel doors to fit standard 1/8" (3.18 mm) stile wall. CL-404 is constructed of corrosion resistant hardened steel and choice of 3 powdered coated finishes.

Includes steel security ring, 2 spacers and retainer plug.



How To Order Die Cast Cylinders

MKC - SC - 1 - AL - KA

