

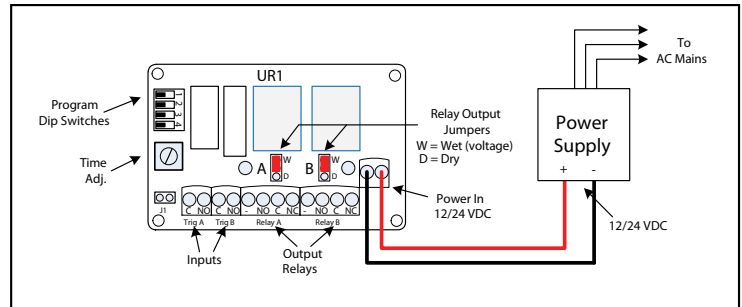
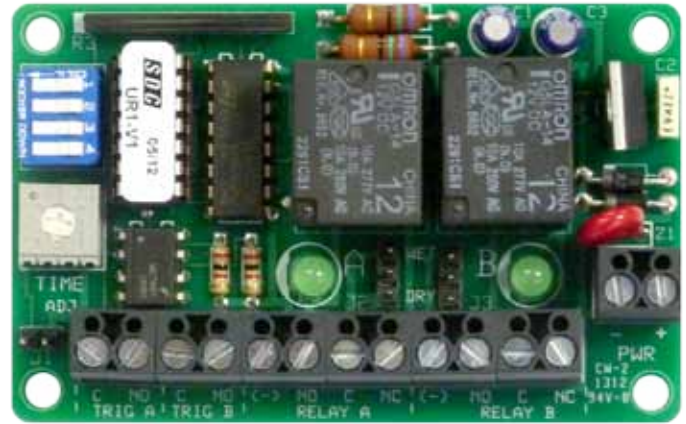


**12 Selectable Relay & System Logic Modes:**

- 2 Conventional Relays
- 2 Time Delay Relays, adj. 1-60 sec
- 1 Time Delay Relays x Anti-Tailgate input
- 2 Independent Latching Relays  
(1 N.O. trigger per relay (pulse on, pulse off)
- Tandem Latching Relays 2-SPDT (DPDT) output  
(Input (A) latch ON, Input (B) latch OFF)
- 1 Time Delay Relay, 1 Latching Relay
- 1 Time Delay Relay, 1 Control Relay
- 2 Door Airlock/Cleanroom System
- Communicating Bathroom System: Shared by  
2 hospital or Dorm rooms. Exiting unlocks  
both doors, ensuring access for both rooms
- Manual Door Sequencer : For 1 or 2 single or double door  
openings with high inrush\* locks or exit devices.
- Automatic Door Sequencer: For 1 single or 1 double door  
opening with locks or exit devices

**Relay Modes: Selectable Contact Configuration**

- SPDT outputs jumper selectable Wet and/or Dry
- Selectable Independent or Tandem (Simultaneous, DPDT)  
Activation
- Each Tandem SPDT output may be Wet and/or Dry



**Features**

**UR Series Universal Door Controllers** provide a choice of individual dip switch selectable relay operating modes or system modes for lock control, monitoring, communicating door or lock system logic. Relay output modes may be individually configured as a Dry Contact or Voltage (Wet) Output. Relays may be configured to work independently or in tandem with adjacent relay. Features include:

**Benefits**

- Use the same controller for multiple applications
- Selectable relay modes permit installer configuration per application requirements
- Microprocessor based system logic reduces need for communicating door and lock contacts and standalone relays
- Centralized wiring for locks, access controls, monitoring contacts and peripheral equipment provide easy troubleshooting and enable uniformity for multiple installation applications

**UR-1 Specifications**

- Input Voltage:** Automatic Voltage Sensing  
12VDC @ 120mA, 24VDC @ 175mA
- Trigger Inputs:**
- Two Form "A" SPST, N.O. Inputs
    - a) Two (2) N.O. dry inputs for individual relay
    - b) Tandem: Either N.O. dry input triggers both relays
- Outputs :**
- 2 form "C" SPDT outputs, (N.C. failsafe, N.O. failsecure)
  - 10 Amps (resistive), 7 Amp (inductive) @ 30VDC
  - Wet (voltage) and/or Dry output
  - Wet output voltage is same as module input voltage
  - Two (2) LED relay active indicators
- Relay Mode Output Configuration:**
- a) Two (2) Wet (power) and/or Dry outputs.
  - b) Tandem: Simultaneously activates both SPDT outputs
- Dimensions:** 3.2" W x 2" L x 1" H  
[81.28 x 50.8 x 25.4 mm]

**Model**

**UR-1:** 12/24VDC Voltage Input;  
2-N.O. trigger inputs; 2-SPDT 10A outputs

