

Key blanks

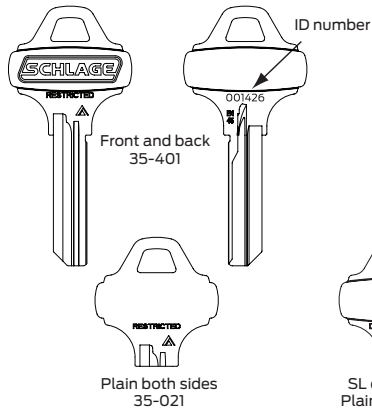
Small format key blanks

For cut keys, change “35” prefix to “48” for change keys and “49” for master keys.
 Suffix key section, e.g. 35-009 R123. All keyways are restricted so they are not published.

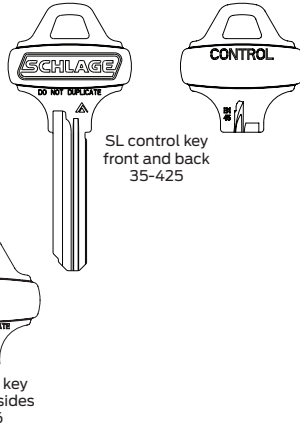
Everest B and Everest 29 R family end user restricted keyways are not stocked by locksmiths or other dealers. They are drop shipped directly to the end user and offer restricted protection without geographical exclusivity. All orders for these key blanks require a letter of authorization from the end user. Dedicated SFIC keyways are available to locksmiths and service-oriented contract hardware dealers, this keyway is controlled similar to Primus XP Levels 1+ and 7. See page 19 for details.

Everest B restricted key blanks

Standard and SL

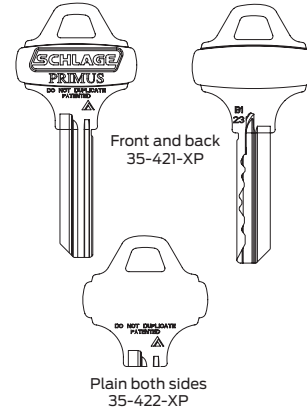


SL Control

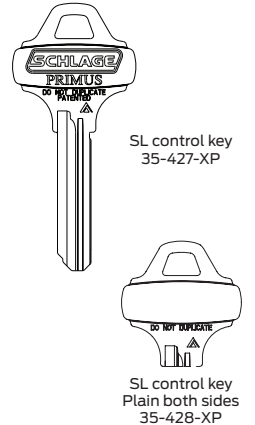


Everest B Primus XP key blanks

Standard and SL

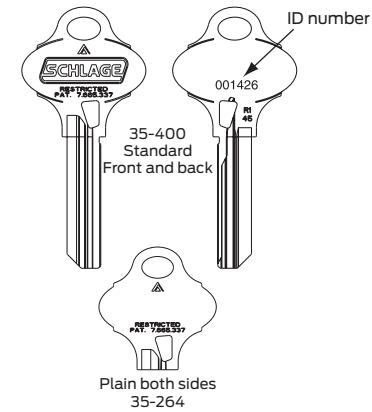


SL Control

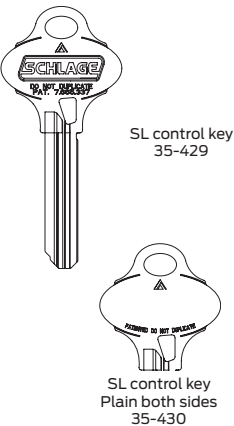


Everest 29 R patented, restricted key blanks

Standard and SL

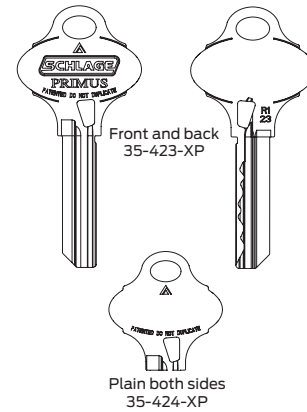


SL Control

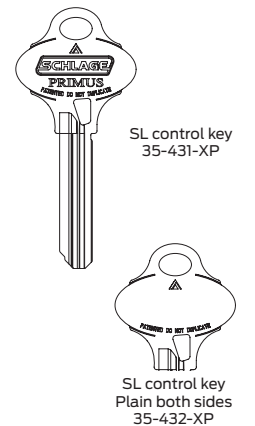


Everest 29 R Primus XP key blanks

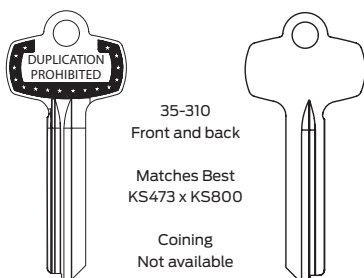
Standard and SL



SL Control



Best® type key blanks



Available in the ten most popular Best key sections. Suffix key section plus “B” to number when ordering, (example 35-310 AB).