



Schlage Control™ smart lock

Mobile enabled wireless
deadbolt and
interconnected lock



Overview

The Schlage Control™ mobile enabled smart lock was designed specifically for multifamily resident doors. It allows properties to offer smart security to residents and intelligent efficiency to property managers.

Residents will appreciate the security and convenience of using smart devices and/or smart credentials to open their doors today. And, through new compatibility with Bluetooth mobile credentials, Schlage makes it possible for software providers to enable residents to arrange in-unit package delivery and other services in the future.*

The open architecture capabilities of Schlage Control mobile enabled smart locks offer properties the freedom to use the physical access control (PACS) provider of their choice to manage security and a wide spectrum of needs. Through these providers, properties are able to extend the possibilities of their locks beyond security.

For a simpler solution, managing access rights couldn't be easier than by using the ENGAGE™ cloud-based mobile or web apps. Staff can configure and manage access from virtually anywhere. And with the capability to view history of access, get usage data, receive alerts and more, ENGAGE improves the intelligence and productivity of the staff and property.

Schlage Control mobile enabled smart locks are part of an extensive portfolio from Allegion™, which offers solutions for every opening within a multifamily property.

*Dependent on PACS provider integrations and capabilities. Go to us.allegion.com/alliances for more information.

Features

- New mobile enabled Schlage Control is ready for the future with the ability to read mobile and smart credentials
- Deadbolt (BE467F) and interconnected lock (FE410F) options
- Two styles with a broad selection of finishes and decorative lever designs
- Eliminates cost and hassle of managing keys
- AES-256 encryption keeps data and communications safe
- Interconnected lock provides single motion egress to comply with regional requirements
- Lock programming via smartphone or tablet (Bluetooth® connection)
- Supports networked (Gateway required), No-Tour and standalone applications

CYBERSECURITY

Learn about Allegion's commitment

Design and style

Schlage Control™ mobile enabled smart locks have style options to fit the design of any property and offer full suiting with Schlage decorative mechanical locks and other Allegion solutions.

Finish options



619 Satin nickel 622 Matte black 625 Bright chrome 626 Satin chrome 716 Aged bronze

BE467F - Addison



BE467F - Greenwich



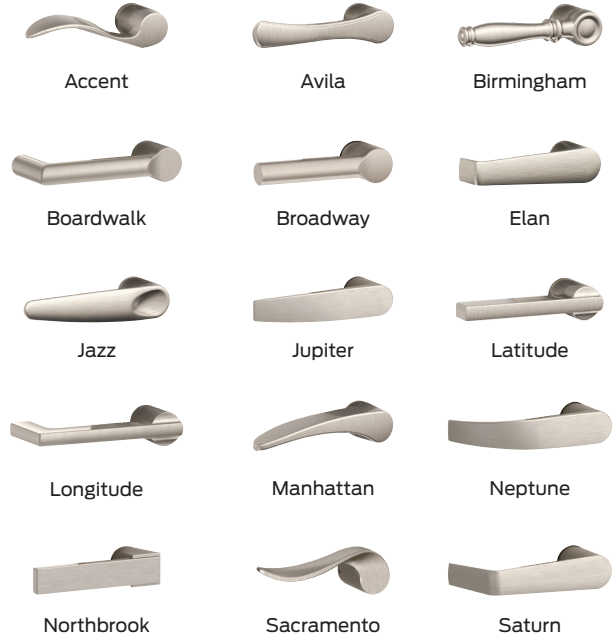
FE410F - Addison



FE410F - Greenwich



FE410F lever options

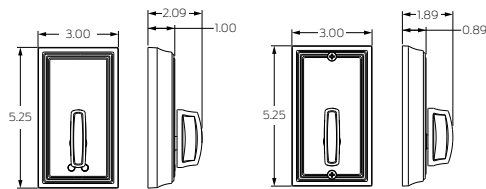


Note: Reference current pricebook to confirm finishes available by lever style.

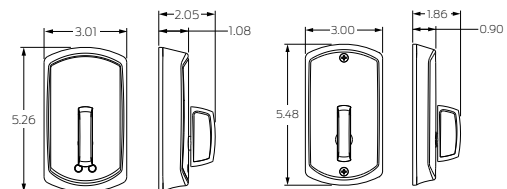
Dimensional drawings

BE467F

Addison - exterior / interior

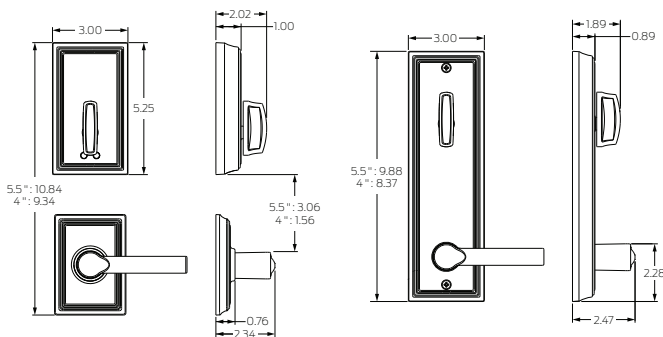


Greenwich - exterior / interior

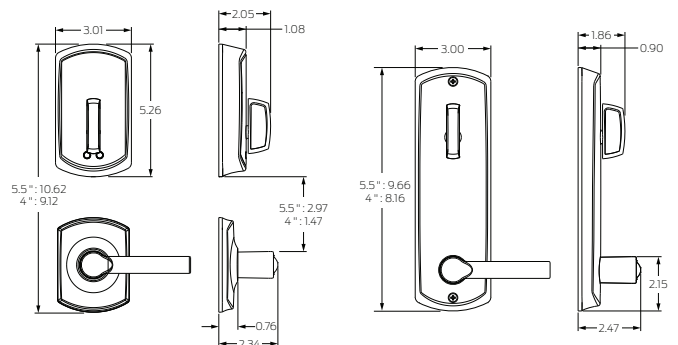


FE410F

Addison - 5.5" and 4" exterior / interior



Greenwich - 5.5" and 4" exterior / interior



Choice offers control

By offering the ENGAGE cloud-based web and mobile apps **and** working with the industry's best-in-class access control providers we give properties the freedom to choose.

ENGAGE™ web and mobile applications



Simple and convenient site set-up and allows management of properties from virtually anywhere.

- Configure lock/device settings
- Add new users and enroll credentials
- Manage users and assign access privileges
- Assign lock/user schedules and holidays
- View and export audits

PACS provider solutions

Schlage Control mobile enabled smart locks are designed with open architecture capabilities. Because of this, multifamily properties have the flexibility to select the integrated physical access management system (PACS) that best suits their needs and budget.

Visit us.allegion.com/alliances for more information on our PACS providers and their capabilities.

Credentials

Residents are able to use a smart credential (fob, card or wristband) and/or a smart device to unlock their Schlage Control™ mobile enabled smart lock – eliminating the need for traditional keys and saving properties time and money.



Specifications

Electronic specifications

| | |
|--|--|
| Users | Up to 500 ¹ |
| Audits | Up to 1,000 ² |
| Visual and audible communications | Exterior LED (red, amber, green) Audible indicator (field configurable) |
| Communication standards | <ul style="list-style-type: none"> ▪ Bluetooth low energy (version 4.2) ▪ Advanced Encryption Standard (AES), 256-bit |
| Gateway communication range (networked solution) | Up to 30' in typical building environments. A detailed site survey is recommended. |
| Wake-Up on Radio | Responds to command from host in less than 5 seconds when linked to ENGAGE Gateway (requires PACS provider solution) |
| Connectivity options | <ul style="list-style-type: none"> ▪ Mobile (send updates at the lock) ▪ No-Tour³ ▪ ENGAGE Gateway (real-time communication) |
| Available status signals | Battery status |
| Battery life | Up to 1 1/2 years (offline mode), up to 1 year (Bluetooth® credential enabled); 4 AA batteries included |
| Operating temperature | Exterior: -31° to 151°F (-35° to 66°C) Interior: 14° to 122°F (-10° to 50°C) |
| Operating humidity | 0 - 100% non-condensing |

Reader specifications

| | |
|---------------------------------|---|
| Credential technologies | Smart (13.56 MHz), Bluetooth Low Energy (BLE) (2.4 GHz) |
| Standards | ISO 14443 |
| Maximum read range | Smart: up to 1.25" Bluetooth Low Energy: up to 15' |
| Smart credential compatibility | Schlage MIFARE Classic®, Schlage MIFARE Plus®, Schlage MIFARE® DESFire® EV1 and EV3 |
| Mobile credential compatibility | Schlage Mobile Bluetooth Credential ⁴ , Integrated PACS mobile credential with Bluetooth ⁵ |

1. Maximum database storage capacity of lock. Can vary by access control software database capacity.
2. Maximum audit storage capacity of lock. Can vary by access control software audit storage capacity.
3. With MT20W and smart credential (1K byte Schlage MIFARE smart credential) or mobile credential (consult your access control software provider for specific support)
4. Supported through ENGAGE
5. Dependent on PACS provider capabilities. Visit us.allegion.com/alliances for more information

Specifications

| Mechanical specifications | |
|---------------------------|--|
| Handing | Field reversible (FE410F) |
| Materials | All-metal chassis and escutcheon |
| Door thickness | 1 3/8" - 1 3/4" (thick door kit available - up to 2 1/4" for BE467F, up to 2" for FE410F) |
| Backset | Adjustable backset, fits 2 3/8" to 2 3/4" backsets |
| Latch | 1" x 2 1/4" square and round corner faceplate (round corner standard, square corner included in package) 1" edge bore required |
| Deadbolt | Standard 1" (25 mm) throw |
| Strike | 1 1/8" x 2 3/4", round corner, no box, latch strike Optional: Additional strike lip lengths and ANSI strike box available |
| Bore | 2 1/8" |
| Stile width | Minimum 4 1/2" stile for 2 3/8" backset, minimum 5" stile for 2 3/4" backset |

| Certifications / Warranty | |
|---------------------------|--|
| Certifications | BE467F: ANSI/BHMA A156.36 Grade 2 FE410F: ANSI/BHMA A156.12 Grade 2 ANSI/BHMA A156.5, UL 90 minute, Canada UL 20 minute wood door rated, FCC Part 15 - Class B, FBC; ADA compliant |
| Warranty | Lifetime limited mechanical and finish 1-year limited electronics |

Ordering information

FE410F - GRW - LAT - 626 -55

| Series | Style | Outside | | Inside | | Interconnect type | Latch | Strike |
|--------|-------|-------------|--------|-------------|--------|-------------------|-------|--------|
| | | Lever style | Finish | Lever style | Finish | | | |
| 1 | 2 | 3 | 4 | 5 | 6 | 7 | 8 | 9 |
| | | FE410F only | | FE410F only | | FE410F only | | |

Selections correspond with the numbers above
See price book for specific configuration options.

| | | | | | | | |
|------------|--|-----|------------|--|---|----------|---|
| 1 | Series | | 4/6 | Finish¹ | | 9 | Strike for BE467F |
| BE467F | Schlage Control mobile enabled smart deadbolt | | 619 | Satin nickel | | 10-116 | Round corner strike, 1 1/8" x 2 3/4" - Standard |
| FE410F | Schlage Control mobile enabled smart interconnected lock | | 622 | Matte black | | 10-147 | Square corner strike, 1 1/8" x 2 3/4" |
| | | | 625 | Bright chrome | | 10-095 | Square corner full lip strike, 1 5/8" x 2 1/4" (Lip length: 1 1/8") |
| | | | 626 | Satin chrome | | 10-092 | Round corner full lip strike, 1 5/8" x 2 1/4" (Lip length: 1 1/8") |
| | | | 716 | Aged bronze | | | |
| 2 | Escutcheon style | | 7 | Interconnect type (for FE410F only) | | 9 | Strike combinations for FE410F |
| ADD | Addison | | 4" | For doors with 4" bore hole spacing (40) | | 10-152 | Combo strike, square corner (10-147 and 10-026) - Standard |
| GRW | Greenwich | | 5 1/2" | For doors with 5 1/2" bore hole spacing (55) | | 10-151 | 10-147 and 10-001 |
| | | | | | | 10-119 | 10-081 and 10-001 |
| 3/5 | Lever style^{1,2} (for FE410F only) | | 8 | Latch | | 47344383 | 10-116 and 10-027 |
| ACC | Accent | LAT | Latitude | 12-398 | Standard for BE467F - 90 min UL | 10-123 | 10-092 and 10-027 |
| VLA | Avila | LON | Longitude | | Deadbolt latch dual option (sq+rd) | 10-124 | 10-095 and 10-027 |
| BIR | Birmingham | MNH | Manhattan | 12-356 | Standard for FE410F - Combo latch, dual option (sq+rd), non-UL bolt, UL latch | | |
| BRW | Broadway | NEP | Neptune | | | | |
| BRK | Boardwalk | NBK | Northbrook | | | | |
| ELA | Elan | SAC | Sacramento | | | | |
| JAZ | Jazz | SAT | Saturn | | | | |
| JUP | Jupiter | | | | | | |

1. Only specify one finish if outside and inside are the same.
2. Some levers not available in all finishes - see price book for details.

Allegion, the Allegion logo, ENGAGE technology, the ENGAGE technology logo, Schlage and the Schlage logo are trademarks of Allegion plc, its subsidiaries and/or affiliates in the United States and other countries. All other trademarks are the property of their respective owners.

About Allegion

Allegion (NYSE: ALLE) is a global pioneer in seamless access, with leading brands like CISA®, Interflex®, LCN®, Schlage®, SimonsVoss® and Von Duprin®. Focusing on security around the door and adjacent areas, Allegion secures people and assets with a range of solutions for homes, businesses, schools and institutions. Allegion had \$2.7 billion in revenue in 2020, and its security products are sold around the world. For more, visit www.allegion.com



ALLEGION™

KRYPTONITE ■ LCN ■ SCHLAGE ■ STEELCRAFT ■ VON DUPRIN

© 2022 Allegion
013252 Rev. 03/22
www.allegion.com/us