



Schlage ALX Series

The proven AL Series
has evolved

Building on the AL Series history of durability and strength, ALX gains X Factor qualities born from modular design making it a grade 2 lock unlike any other.

Exceed customer expectations

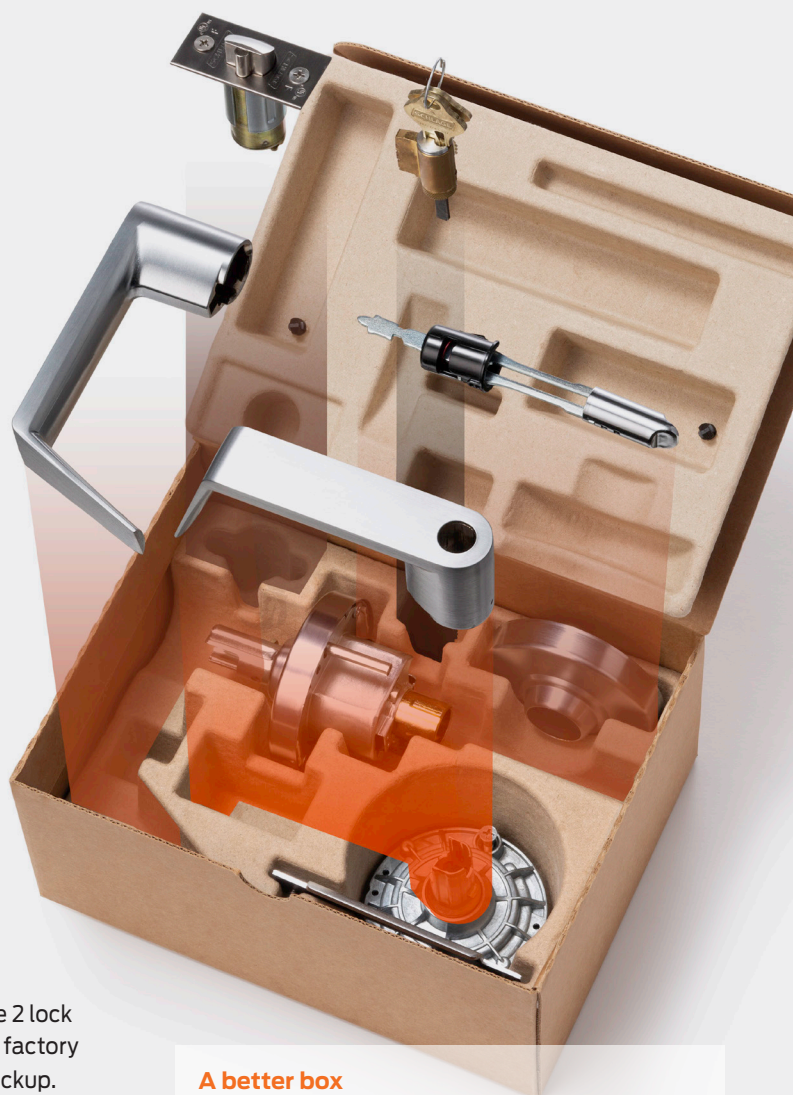
Modular design lets wholesalers opt into configuring as a value add for their customers. They can manage inventory any of three ways to best suit their business needs:

- Factory configured
- Wholesale configured
- As separate chassis, lever and function kits

Wholesale configuration creates a path to increased grade 2 lock sales and improved customer service. Bypass the wait for factory configured product and instead offer same day product pickup.

Inventory flexibility

Maximum utility from a patent pending single chassis design helps to minimize inventory buy-in and allows flexible selling options. One chassis supports most functions and all cylinder applications to keep inventory burden low on the higher price chassis kits. Function and lever 5-pack kits round out configuration parts. You need only add cylinder parts when appropriate. ALX Series even shares ND levers. It provides an unprecedented level of flexibility to every aspect of how you choose to sell a grade 2 lock.



A better box

Separate compartments make configuration easy and fast.

1. Drop in interior lever
2. Install interior function into chassis and place in box with outside lever on spindle
3. Drop in latch
4. Drop in cylinder or exterior function part (if applicable)

The X Factor

Qualities defining a lock designed to exceed expectations

The Schlage ALX Series offers an unprecedented level of flexibility to every aspect of how you use it in your business. Based on a modular design and built on a single chassis, ALX also provides an advantage to all your grade 2 lock customers.

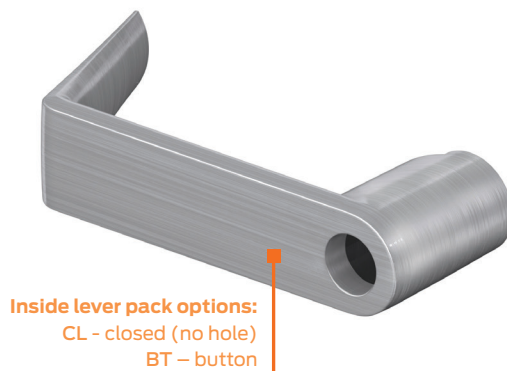
For Locksmiths: In its kitted form, locksmiths gain a job site problem solver. They can buy the most common finishes and levers for their market along with locksmith mixed function kits to use as truck stock, letting them answer unplanned needs in the moment and reduce call backs.

For End Users: An ALX Series lock provides a long term solution capable of easy function or appearance changeability to address the increasing market need for space repurposing.

For Contractors: ALX suites perfectly to the grade 1 ND Series by sharing roses and 9 of 10 levers. It is the ideal budget saver for new construction where a grade 2 lock is allowed.

Extreme installation simplicity

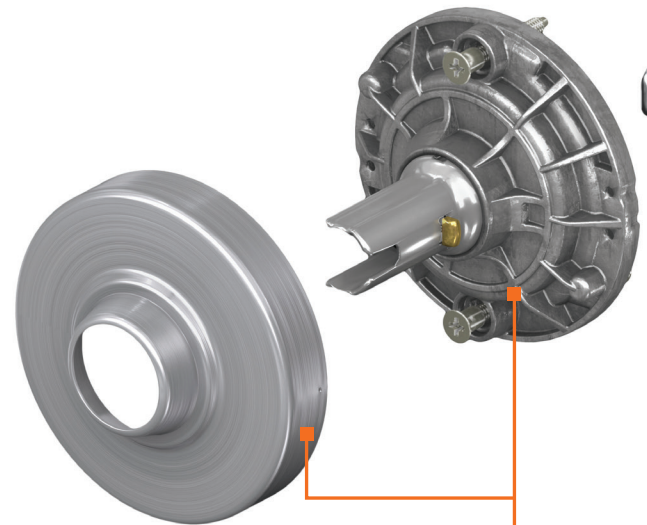
- Accommodates 1 ³/₈" to 1 ³/₄" door thickness with minimal chassis adjustment
- Captured screws in latch, strike and inside spring cage eliminate small, loose parts



Inside lever pack options:
CL - closed (no hole)
BT - button

Expansive lever offering

Perfectly suites with ND Series levers to offer 10 total lever designs



Chassis kit components

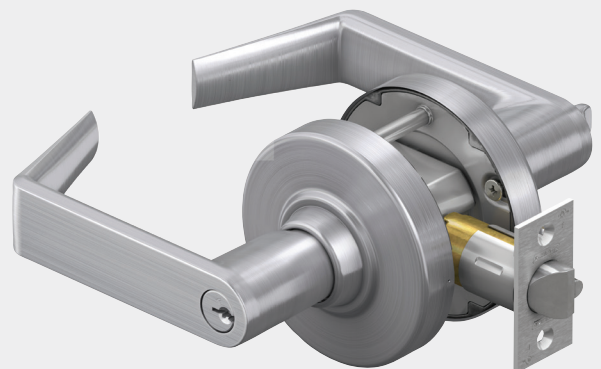
Exceptional durability

- Deep-drawn spindle with 5 points of lever engagement prevents droop and wobble
- Grade 1 compression springs

Unexpected value

The Schlage ALX Series is a stronger lock and a better value at a lower price than its AL Series predecessor. Kit pricing is designed to coordinate with factory configured equivalents. So whether factory configured, wholesale configured or sold as kits, the pricing structure creates list price parity giving wholesalers equal footing in how they choose to price and promote.

Schlage ALX Series can be sold factory configured, wholesale configured from kits or sold as kits.



Maximum utility
One chassis fits all functions and cores to minimize inventory

Chassis kit component

Outside lever pack options:
CL - closed (no hole)
KIL - also used on privacy
FSIC
SFIC

Expanded cylinder support
Available levers accept all Schlage plus five competitive cylinder formats

Function kit components
Kits include appropriate latch, interior, and exterior components to create the desired function

Chassis kit component

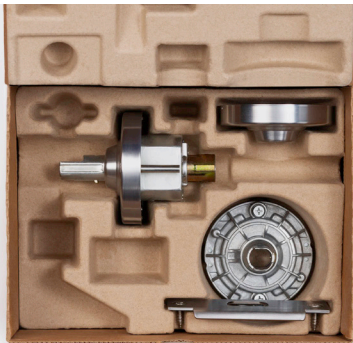
Function kit components

Function flexibility

- Patent pending chassis design allows quick, in-field function set up
- Field reversible Vandgard® to non-Vandgard locked lever engagement

Function kit components

Exceeds Grade 2 strength expectations
Stainless steel latchbolt



Chassis kits are chosen solely by desired finish. They are shipped non-Vandgard and can be configured to Vandgard without the need for extra parts.



Function kits are sold in packs of five defined by function, finish, and latch backset. Locksmith assortment kits are available.



Levers are sold in five packs of same design with inside levers defined by function, finish and design and outside levers by function/cylinder, finish and design.

Standard specifications

Other options available, see catalog or price book for details.

Chassis	Material: Steel, zinc dichromated for corrosion resistance Door thickness: Fits 1 3/8" to 1 3/4" doors without adjustment Handing: Non-handed
Functions	Non-keyed functions: 10 Passage; 40 Privacy; 44 Hospital Privacy; 170 Single dummy; 172 Double dummy Keyed functions: 50 Entrance/office; 53 Entrance; 70 Classroom; 80 Storeroom
Trim	Levers: Pressure cast zinc, plated to match product finish Roses: Wrought brass, bronze or zinc plated to match finish, 3 7/16" diameter; blank outside rose is 3 1/2" diameter
Latches	Backset: 2 3/4" (standard) or 2 3/8" Faceplate: 1 1/8" x 2 1/4" square corners Bolt: 7/8" bolt diameter, up to 1" housing diameter, 1/2" throw in Stainless Steel Optional: 1" bolt diameter with 1/2" throw, 3/4" anti-friction fire latch
Strike	ANSI curved lip (1 1/4" x 4 7/8" x 1 3/16") Optional: T strike (see catalog for details)
Keying	Cylinder format: Conventional 6-pin in solid brass Optional: SL Conventional and FSIC; Full Size and Small Format IC cylinders; construction cylinders Keyway: Everest 29 S123 patented open keyway, keyed different Optional: Classic open, Everest 29 restricted and legacy keyways
Warranty	10-year limited
Certifications	Exceeds ANSI/BHMA A156.2 Series 4000, Grade 2 standards UL/cUL: All locks listed for A label single fire door 4' x 8' and pair doors UL 437: Optional UL listed high-security cylinders Other: ADA compliant levers (all designs); CA Fire Code compliant levers (all with return of 1/2" (64 mm) or less; ICC A117.1 compliant; meets Federal FF-H-106C Series 161; meets FL Building Code and Miami Dade requirements for hurricanes

Lever designs

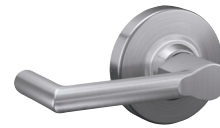
Athens (ATH)



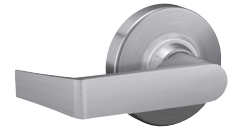
Omega (OME)



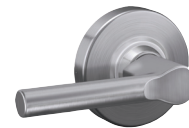
Boardwalk (BRK)



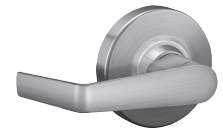
Rhodes (RHO)



Broadway (BRW)



Saturn (SAT)



Latitude (LAT)



Sparta (SPA)



Longitude (LON)



Tubular (TLR)



Vandlgard® protection

All locking functions feature field reversible Vandlgard® protection. The outside lever rotates freely up and down when locked, limiting the ability of vandals to apply excessive force which could damage the lock.

Finish options									
Color	Bright brass	Satin brass	Satin bronze	Oil rubbed bronze	Satin nickel	Matte black	Bright chrome	Satin chrome	Aged bronze
ANSI/BHMA number	605	606	612	613	619	622	625	626/626AM	643e

About Allegion

Allegion (NYSE: ALLE) is a global pioneer in seamless access, with leading brands like CISA®, Interflex®, LCN®, Schlage®, SimonsVoss® and Von Duprin®. Focusing on security around the door and adjacent areas, Allegion secures people and assets with a range of solutions for homes, businesses, schools and institutions. Allegion had \$2.7 billion in revenue in 2018, and sells products in almost 130 countries. For more, visit www.allegion.com.



ALLEGION™