

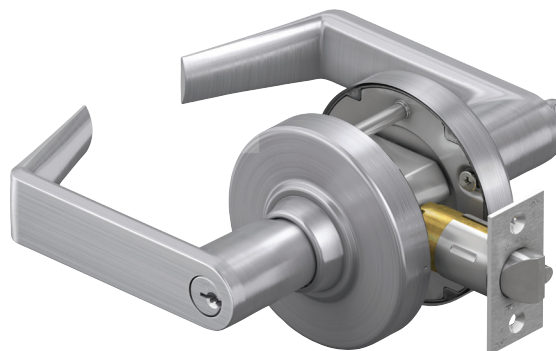


Grade 2 modular, cylindrical locks

# ALX Series

## Overview

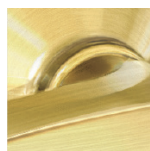
The Schlage® ALX Series is a grade 2 lock unlike any other. Designed to exceed expectations, it features a single, patent pending chassis design that supports most functions and all cylinder applications. As a modular lock, ALX Series enables in-field function set up or exchange and a field-selectable Vandlgard® feature on all locking functions. Exceptional durability comes from a stainless steel latch bolt and deep-drawn spindles with 5 points of lever engagement and grade 1 compression springs that prevent droop and wobble. Perfectly suited to the ND grade 1 series, ALX also allows you to seamlessly suite between the two to gain grade 1 strength, security and functionality when and where you need it.



## Finishes



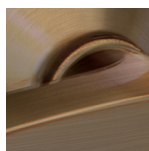
**605**  
Bright Brass



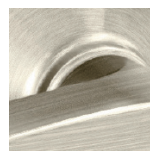
**606**  
Satin Brass



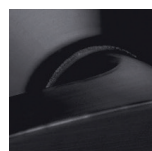
**612**  
Satin Bronze



**613**  
Oil Rubbed  
Bronze



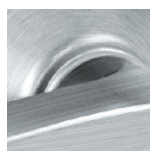
**619**  
Satin Nickel



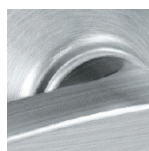
**622**  
Matte Black



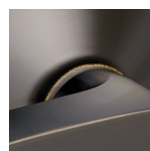
**625**  
Bright Chrome



**626**  
Satin Chrome



**626AM**  
Satin Chrome,  
Antimicrobial

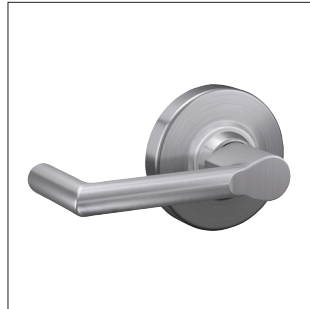


**643e**  
Aged Bronze

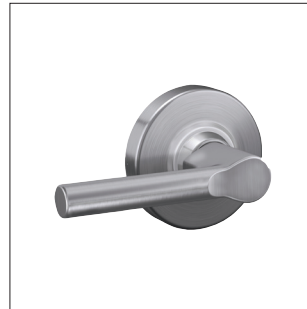
Lever styles



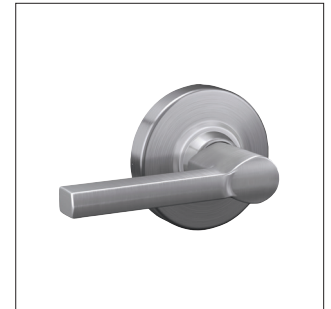
**Athens (ATH)**  
8AT - Milled tactile warning



**Boardwalk (BRK)**  
8BK - Knurled tactile warning



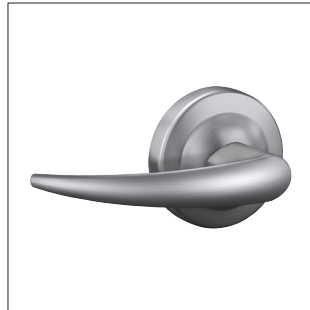
**Broadway (BRW)**  
8BW - Knurled tactile warning



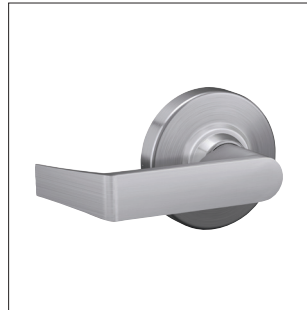
**Latitude (LAT)**  
8LT - Milled tactile warning



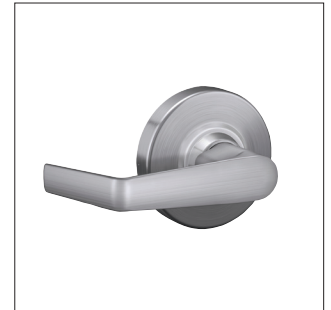
**Longitude (LON)**  
8LN - Milled tactile warning



**Omega (OME)**



**Rhodes (RHO)**  
8RO - Milled tactile warning



**Saturn (SAT)**



**Sparta (SPA)**  
8SP - Milled tactile warning



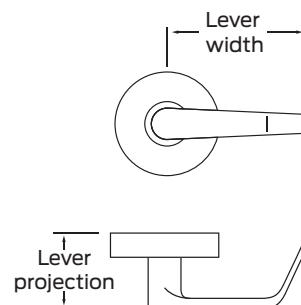
**Tubular (TLR)**  
8TR - Knurled tactile warning

**Dimensions**

Lever	Width	Projection
Athens (ATH)	4 9/16"	3 5/16"
Boardwalk (BRK)	4 15/16"	3 1/16"
Broadway (BRW)	4 1/2"	3 1/16"
Latitude (LAT)	4 1/2"	3 1/8"
Longitude (LON)	4 15/16"	3 1/8"
Omega (OME)	5 1/16"	3 5/16"
Rhodes (RHO)	4 9/16"	2 15/16"
Saturn (SAT)	4 7/16"	2 15/16"
Sparta (SPA)	4 15/16"	3 1/2"
Tubular (TLR)	4 15/16"	3"

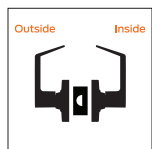
Rose	Diameter
Standard	3 7/16"

Return to door meets 1/2" requirement for Boardwalk (BRK), Longitude (LON), Omega (OME), Rhodes (RHO), Sparta (SPA) and Tubular (TLR) levers



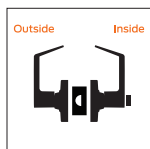


Non-keyed functions



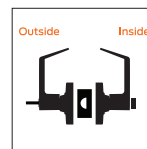
Schlage ALX10  
ANSI F75  
Passage latch

- No key; plain lever both sides; spring latch
- Both levers always unlocked



Schlage ALX40  
ANSI ALXV40  
F76  
Bath/bedroom privacy lock

- No key; emergency access coin turn outside; push button inside; spring latch
- Inside push button locks outside lever
- Turn inside lever or close door to release button and prevent lock-out; outside coin turn provides emergency access
- Field selectable Vandlgard® feature
- Inside lever is always free for immediate egress



Schlage ALX44  
ANSI ALXV44  
-  
Hospital privacy lock

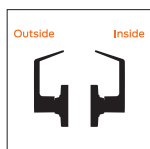
- No key; emergency turn-button outside; push button inside; spring latch
- Inside push button locks outside lever
- Turn inside lever or close door to release button and prevent lock-out; outside turn-button provides emergency access
- Field selectable Vandlgard® feature
- Inside lever is always free for immediate egress



Schlage ALX170  
ANSI -  
Single dummy trim

- No key; rigid plain lever outside; no hardware inside; no latchbolt
- Use as door pull or matching inactive trim

Note: Not available for in-field function changes.



Schlage ALX172  
ANSI -  
Double dummy trim

- No key; rigid, plain lever both sides; no latch
- Use as door pull or matching inactive trim

Notes: Latch cover available. Not available for in-field function changes.



Key



Dead latch



Spring latch



Emergency turn button



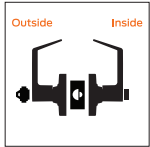
Push button



Turn/push button

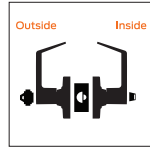


### Single cylinder deadbolt functions



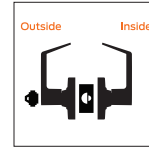
Schlage **ALX50**  
**ALXV50**  
ANSI **F82**  
**Entrance/office lock**

- Key cylinder outside; push button inside; deadlatch
- Inside push button locks outside lever
- Unlock with key outside or by rotating inside lever
- Field selectable Vandlgard® feature
- Inside lever always free for immediate egress



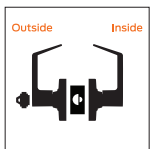
Schlage **ALX53**  
**ALXV53**  
ANSI **F109**  
**Entrance lock**

- Key cylinder outside; push/turn button inside; deadlatch
- Inside button locks outside lever by pushing button or pushing and turning button
- Pushed button: unlock with key outside or by rotating inside lever
- Pushed/turned button: key outside retracts latch only; unlock by returning inside button to home position then using key or rotating inside lever
- Field selectable Vandlgard® feature
- Inside lever always free for immediate egress



Schlage **ALX70**  
**ALXV70**  
ANSI **F84**  
**Classroom lock**

- Key cylinder outside; plain lever inside; deadlatch
- Key in outside lever locks or unlocks outside lever
- Field selectable Vandlgard® feature
- Inside lever always free for immediate egress



Schlage **ALX80**  
**ALXV86**  
ANSI **F86**  
**Storeroom lock**

- Key cylinder outside; plain lever inside; deadlatch
- Outside lever always fixed
- Key can retract the latch
- Field selectable Vandlgard® feature
- Inside lever always free for immediate egress



Key



Dead latch



Spring latch



Emergency turn button



Push button



Turn/push button



Cylinders

Conventional cylinder		ATH	BRK	BRW	LAT	LON	OME	RHO	SAT	SPA	TLR
<b>P6</b>	6-pin Conventional (standard)	■	■	■	■	■	■	■	■	■	■
<b>Z</b>	SL 7-pin Conventional (A2 pinning)	■	■	■	■	■	■	■	■	■	■
<b>L</b>	Less Conventional cylinder	■	■	■	■	■	■	■	■	■	■
<b>L-C06</b>	Less cylinder, made to fit Corbin 2000-033	■	-	-	-	-	-	■	-	■	■
<b>L-SAR</b>	Less cylinder, made to fit Sargent C11-1, C10-1	■	-	-	-	-	-	■	-	■	■
<b>Full size interchangeable core (FSIC)</b>											
<b>R</b>	6-pin FSIC (full size)	■	■	■	■	■	■	■	-	■	■
<b>M</b>	SL 7-pin FSIC (A2 pinning)	■	■	■	■	■	■	■	-	■	■
<b>J</b>	Less FSIC	■	■	■	■	■	■	■	-	■	■
<b>J-C06</b>	Less FSIC, made to fit Corbin 8000	■	-	-	-	-	-	■	-	■	■
<b>J-C07</b>	Less FSIC, made to fit Corbin 8000-7	-	-	-	-	-	-	■	-	-	-
<b>J-SAR</b>	Less FSIC, made to fit Sargent 6300	■	-	-	-	-	-	■	-	■	■
<b>T</b>	Refundable construction FSIC	■	■	■	■	■	■	■	-	■	■
<b>Small format interchangeable core (SFIC)</b>											
<b>G7</b>	7-pin SFIC (slide capping)	■	■	■	■	■	■	■	-	■	■
<b>B</b>	Less SFIC	■	■	■	■	■	■	■	-	■	■
<b>BDC</b>	Disposable construction SFIC	■	■	■	■	■	■	■	-	■	■
<b>H</b>	Refundable construction SFIC	■	■	■	■	■	■	■	-	■	■



## Specifications

### Chassis

Material	Steel, zinc dichromated for corrosion resistance
Door thickness	Standard: 1 <sup>3</sup> / <sub>8</sub> " to 1 <sup>3</sup> / <sub>4</sub> "

### Trim

Handing	Non-handed
Levers	Pressure cast zinc, plated to match product finish specification
Roses	Wrought brass, bronze or zinc plated to match finish specification

### Latch

Backset	Standard: 2 <sup>3</sup> / <sub>4</sub> " Optional: 2 <sup>3</sup> / <sub>8</sub> ", 3 <sup>3</sup> / <sub>4</sub> ", 5"
Faceplate	Standard: 1 <sup>1</sup> / <sub>8</sub> " x 2 <sup>1</sup> / <sub>4</sub> " square corners Optional: Multiple options with square or radius corners
Latch	Standard: <sup>7</sup> / <sub>8</sub> " bolt diameter, up to 1" housing diameter, <sup>1</sup> / <sub>2</sub> " throw in stainless steel Optional: 1" bolt diameter with <sup>1</sup> / <sub>2</sub> " throw, <sup>3</sup> / <sub>4</sub> " anti-friction fire latch
Strike	Standard: ANSI Curved Lip: 1 <sup>1</sup> / <sub>4</sub> " x 4 <sup>7</sup> / <sub>8</sub> " x 1 <sup>3</sup> / <sub>16</sub> " Optional: T strike

### Keying

Cylinder format	6-pin Conventional (standard); also available in FSIC, SFIC and 7-pin SL cylinder formats plus less cylinder options designed to fit competitive cores from Sargent and Corbin Russwin
Keying	Standard: Everest 29 S123 patented open keyway, keyed different (KD) Optional: Classic open, Everest 29 restricted, and legacy keyways

### Warranty

	10-year limited
--	-----------------

### Certifications

ANSI/BHMA	Certified A156.2-2011 Series 4000, Grade 2; exceeds standard for lever and spindle strength and durability
ICC	Complies with ICC A117.1 for Accessible and Usable Buildings and Facilities
UL/cUL	All locks listed for A label single fire door 4' x 8' or 4' x 10' 3-hour; pair doors 8' x 8' 3-hour; and 8' x 10' 90-minute. Letter F and UL symbol on latch front indicate listing.
UL 437	Optional UL listed high-security cylinders available in Conventional format
CA Fire Code	All levers with a return to door of <sup>1</sup> / <sub>2</sub> " (64 mm) or less comply (Boardwalk, Longitude, Omega, Rhodes, Saturn, Sparta, and Tubular)
FL Building Code	ASTM E330, E1886, E1996 and Miami Dade (TAS 201, 202, 203) requirements for hurricanes
Federal	Meets FF-H-106C Series 161
ADA compliant	All lever designs meet Americans with Disabilities Act requirements