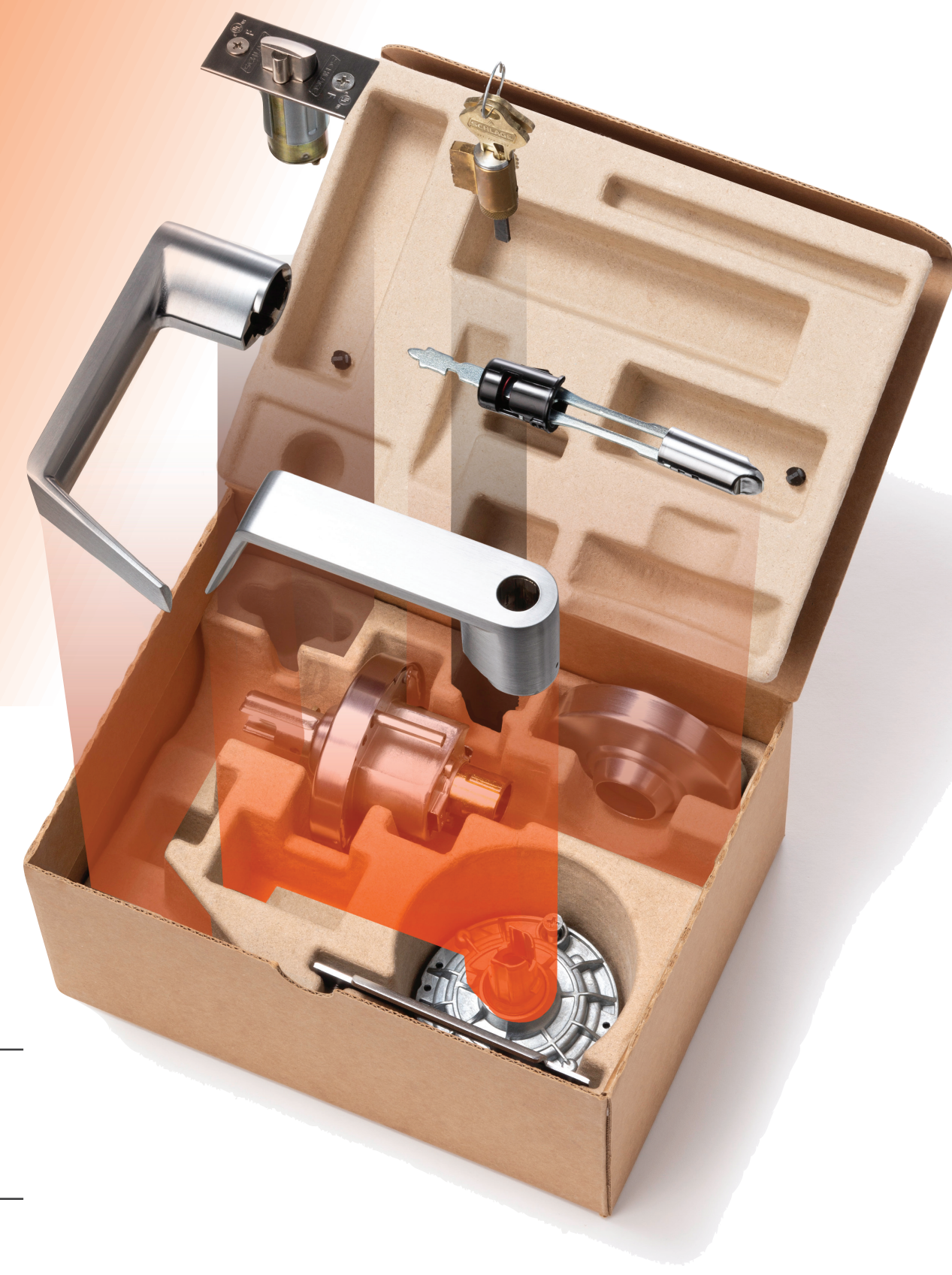




# Configuring the ALX Series lock



## Using kits to build a lock to suit your needs anytime

### 1 Start with chassis

Available in all finishes: 605, 606, 612, 613, 619, 622, 625, 626, or 643E (Rhodes rose and ANSI strike only)

### 2 Choose function

**Backset options:**  
2 3/8" or 2 3/4"  
**Finish options:** All

### 3 Select levers

Inside

Outside

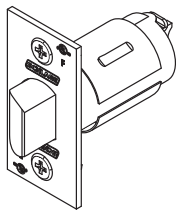
**Finish options:** All  
**Design options:**

| Function or core           | ATH<br>Athens | BRK<br>Boardwalk | BRW<br>Broadway | LAT<br>Latitude | LON<br>Longitude | RHO<br>Rhodes | SAT<br>Saturn | SPA<br>Sparta | TLR<br>Tubular |
|----------------------------|---------------|------------------|-----------------|-----------------|------------------|---------------|---------------|---------------|----------------|
| Closed, Button, KIL        | ■             | ■                | ■               | ■               | ■                | ■             | ■             | ■             | ■              |
| FSIC, SFIC                 | ■             | ■                | ■               | ■               | ■                | ■             | ■             | ■             | ■              |
| L-SAR, L-CO6, J-SAR, J-CO6 | ■             |                  |                 |                 |                  |               |               | ■             | ■              |
| J-CO7                      |               |                  |                 |                 |                  | ■             |               |               |                |

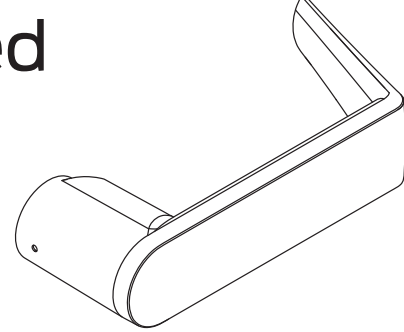
### 4 Add cylinder

**Finish options:**  
**606** - for 605, 606, 612  
**622** - for 622,  
**626** - for 619, 625, 626  
**643e** - for 613, 626  
*Note: Cylinders are sold separately. Specify finish when ordering.*

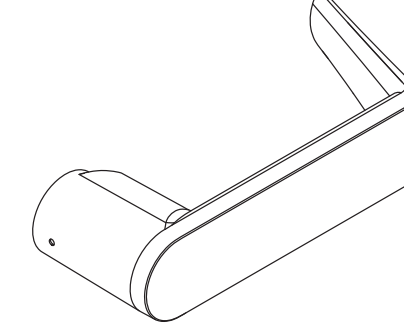
### 10 Passage



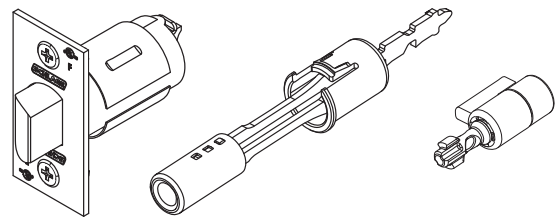
### CL Closed



### CL Closed

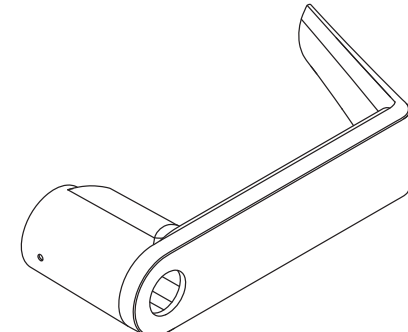


### 40 Bath/bedroom privacy



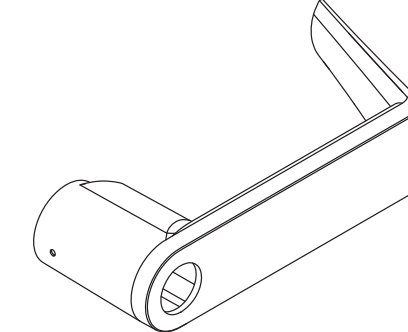
### BT Button

*Note: button hole is slightly smaller than a KIL hole.*

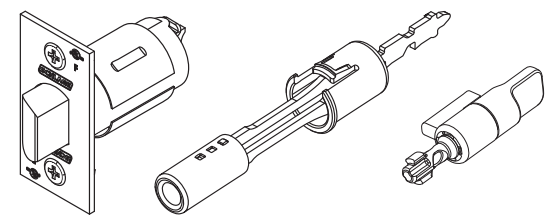


### KIL Schlage Key-in-lever

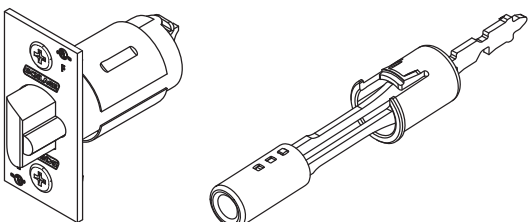
*Note: Also used for coin turn and hospital emergency turn.*



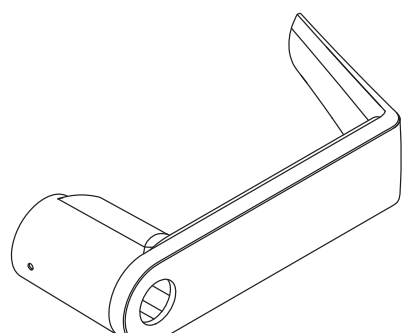
### 44 Hospital privacy



### 50 Entrance/office

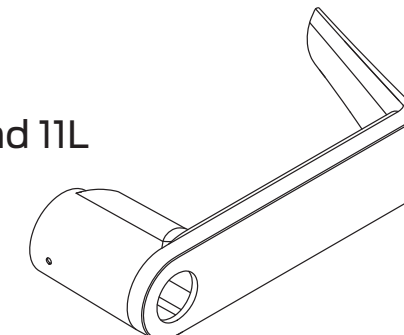


### BT Button

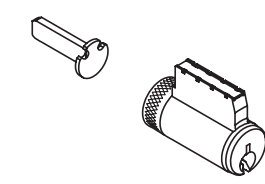


### KIL Schlage

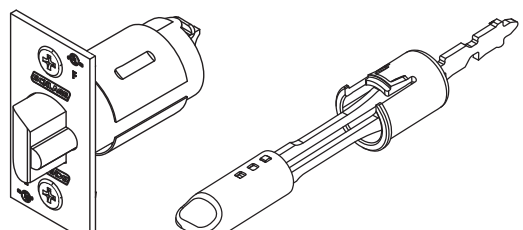
L-SAR fits Sargent 10L and 11L  
L-CO6 fits Corbin 2000



### KIL Schlage

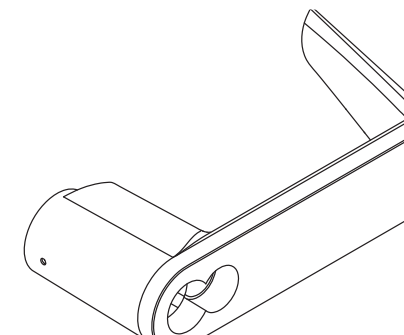


### 53 Entrance

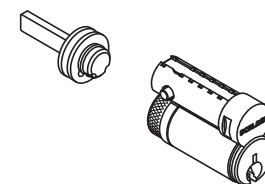


### FSIC Schlage

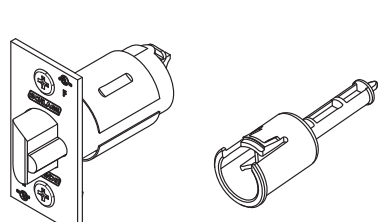
J-SAR fits Sargent 6300 (restricted Everest 29R and Everest B only)  
J-CO6 fits Corbin 8000  
J-CO7 fits Corbin 8000-7



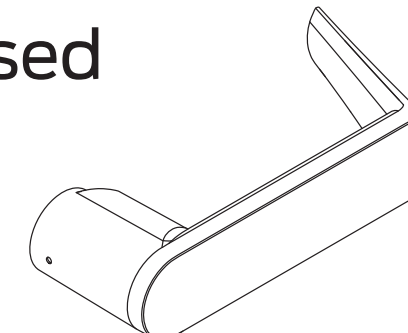
### FSIC Schlage



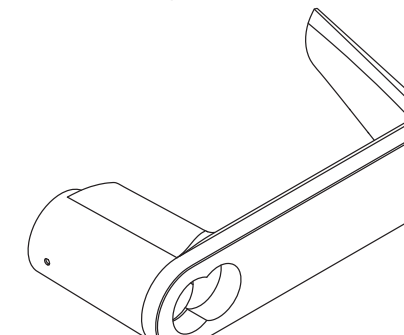
### 80 Storeroom



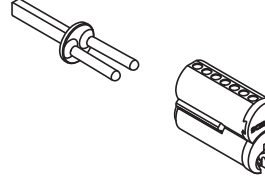
### CL Closed



### SFIC

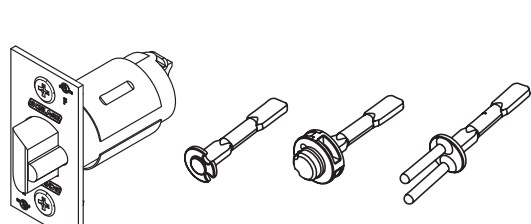


### SFIC Schlage

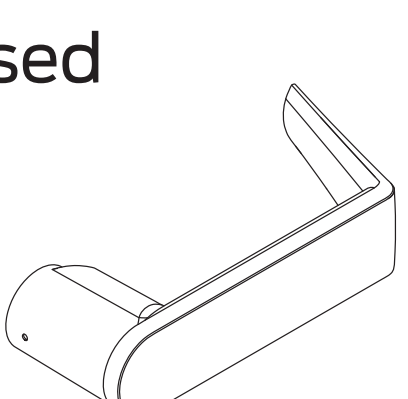


*See chart below for ordering proper cylinder and tailpiece combinations.*

### 70 Classroom



### CL Closed

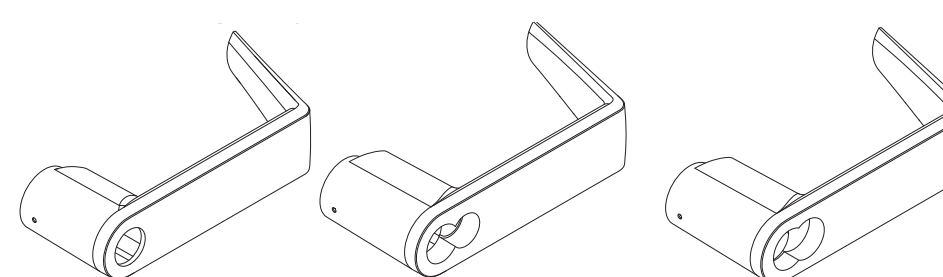


### Schlage

#### KIL

#### FSIC

#### SFIC

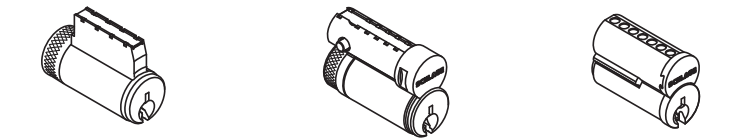


### Schlage

#### KIL

#### FSIC

#### SFIC



*Note: All tailpiece options are provided in the function kit for 70 Classroom function.*

#### Conventional KIL

| Cylinder mechanism                                       | Cylinder and tailpiece | Tailpiece only | Functions  | Pins |
|--|------------------------|----------------|------------|------|
| Standard pin and tumbler                                 | 21-020                 | A700-031       | 50, 53, 80 | 5, 6 |
|  | 23-195                 | 47270197       | 70         |      |
| SL cylinder (restricted Everest 29R and Everest B only)  | 91-018                 | N523-022       | 50, 53, 80 | 7    |
|  | 91-118                 | 47270197       | 70         |      |
| Primus   | 20-765                 | N523-022       | 50, 53, 80 | 6    |
|  | 20-685                 | 47270197       | 70         |      |
| Primus UL 437 (UL listed high security)                  | 20-565                 | A700-031       | 50, 53, 80 | 6    |
|  | 20-566                 | 47270197       | 70         |      |
| SL Primus XP (restricted Everest 29R and Everest B only) | 91-718-XP              | N523-022       | 50, 53, 80 | 7    |
|  | 91-118-XP              | 47270197       | 70         |      |
| Primus XP  | 20-765-XP              | N523-022       | 50, 53, 80 | 6    |
|  | 20-685-XP              | 47270197       | 70         |      |
| Primus XP UL 437 (UL listed high security)               | 20-565-XP              | N523-022       | 50, 53, 80 | 6    |
|  | 20-566-XP              | 47270197       | 70         |      |

#### Interchangeable cores

| Cylinder mechanism  | Cylinder only | Tailpiece only | Functions  | Pins |
|---|---------------|----------------|------------|------|
| FSIC pin and tumbler  | 23-030        | N523-127       | 50, 53, 80 | 6    |
|   |               | 47269168       | 70         |      |
| FSIC SL cylinder (restricted Everest 29R and Everest B only)  | 91-161        | N523-127       | 50, 53, 80 | 7    |
|   |               | 47269168       | 70         |      |
| FSIC Primus   | 20-740        | N523-127       | 50, 53, 80 | 6    |
|   |               | 47269168       | 70         |      |
| FSIC SL Primus XP (restricted Everest 29R and Everest B only) | 91-861        | N523-127       | 50, 53, 80 | 7    |
|   |               | 47269168       | 70         |      |
| FSIC refundable construction core – color coded               | 23-030-ICX    | N523-127       | 50, 53, 80 | 6    |
|   |               | 47269168       | 70         |      |
| SFIC combined Everest 29 R family keyway                      | 80-037        | N523-091       | 50, 53, 80 | 7    |
|   |               | 47269620       | 70         |      |
| SFIC refundable construction core – color coded               | 80-035        | N523-091       | 50, 53, 80 | 7    |
|   |               | 47269620       | 70         |      |

#### Less cylinder options

| Cylinder type | Made to fit                   | Tailpiece | Functions  |
|---------------|-------------------------------|-----------|------------|
| L-SAR         | Sargent 10L and 11L 6-pin KIL | 09-060    | 50, 53, 80 |
| L-CO6         | Corbin 2000, 6-pin KIL        | 10-140    | 50, 53, 80 |
| J-SAR         | Sargent 6300, 6-pin FSIC      | 09-063    | 50, 53, 80 |
| J-CO6         | Corbin 8000, 6-pin FSIC       | 09-062    | 50, 53, 80 |
| J-CO7         | Corbin 8000-7, 7-pin FSIC     | 10-141    | 50, 53, 80 |

