

Schlage Control™ Smart Deadbolt

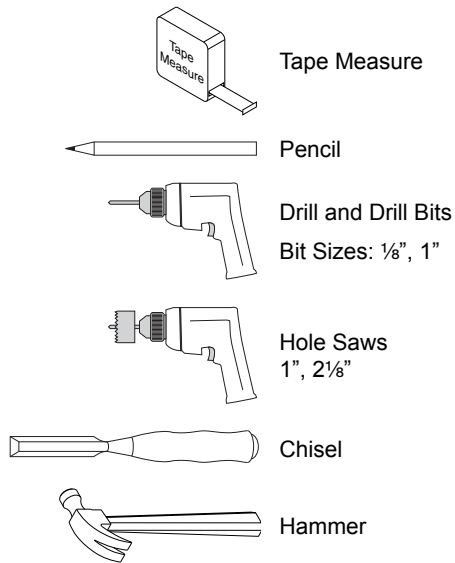
with Engage Technology



Model FE410F

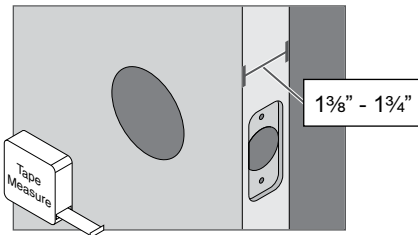
Door Preparation Instructions for Door with Existing Holes

Tools Needed



1 Measure door thickness.

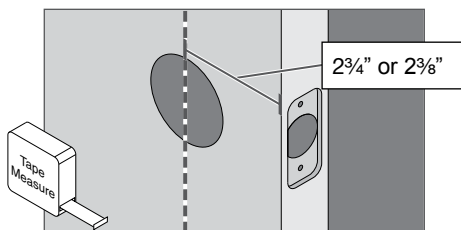
If the door is thinner than 1 3/8" or thicker than 1 3/4", then the lock will not fit properly on the door.



① A thick door kit is available from Product Support at 800-847-1864.

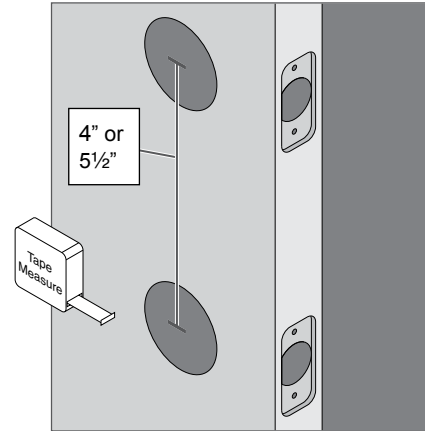
2 Measure the backset.

If existing backset is not 2 3/4" or 2 3/8", then the lock will not fit properly on the door.



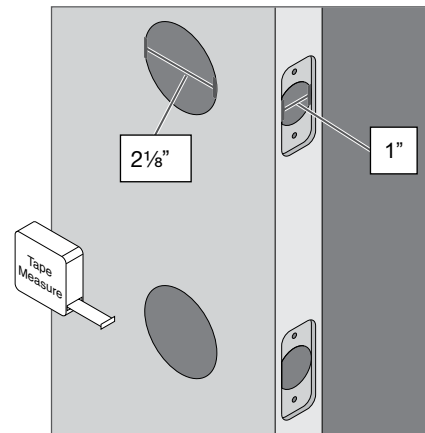
3 Measure the distance between the two holes.

The two holes must be either 4" or 5 1/2" apart. If they are not, the lock will not fit.

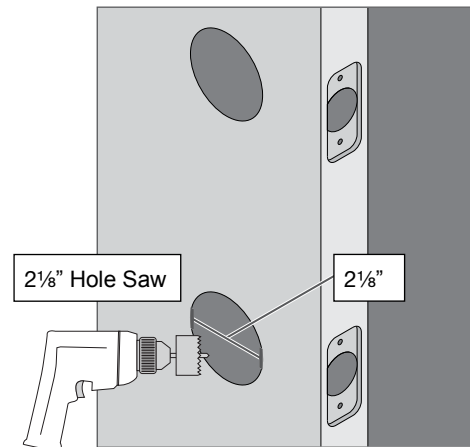


4 Measure the hole sizes.

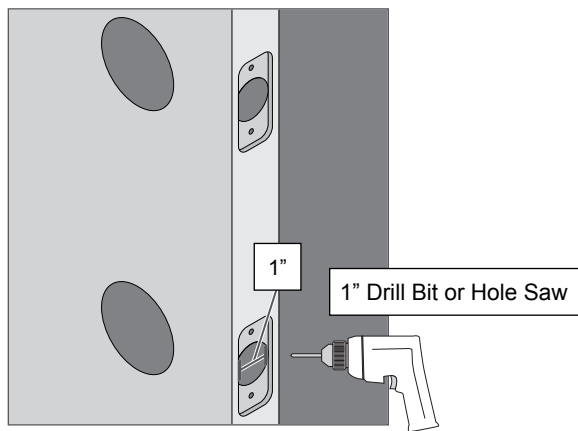
4a If hole sizes are larger than those shown, then the lock will not fit properly on the door. If hole sizes are smaller than those shown, see steps 4b and 4c.



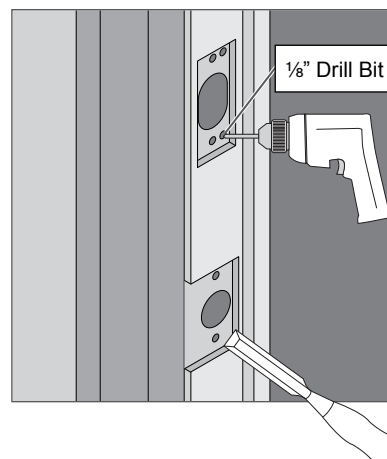
4b If necessary, enlarge holes in door face.



4c If necessary, enlarge holes in door edge.

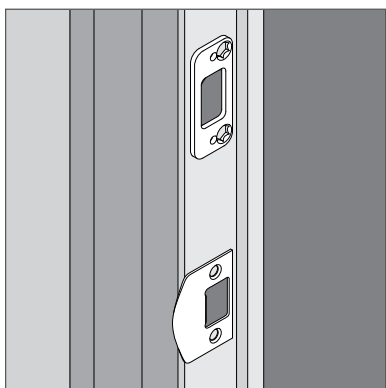


5c If necessary, use chisel, hammer and drill to correct door jamb preparation.

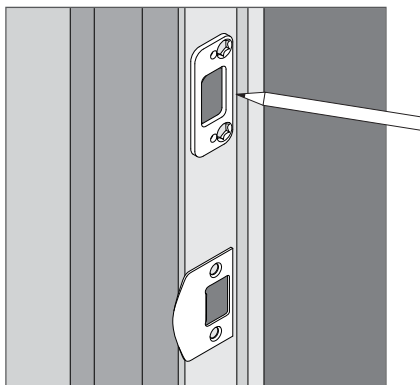


5 Check the door jamb.

5a Place new latch strike, and bolt strike and reinforcement plate against the door jamb. If these do not fit properly, see steps **5b** and **5c**.



5b If correction is necessary, trace the faceplates and mark holes.



Product Support

800-847-1864

www.allegion.com

