

Model 50

Application

- Single Acting Handed
- Interior Doors
- Centering Arm
- Weight to 250 lbs.
- Door Sizes up to 4'0" x 8'0"
(1219x2438mm)



ANSI/CO6022

Product Description & Features

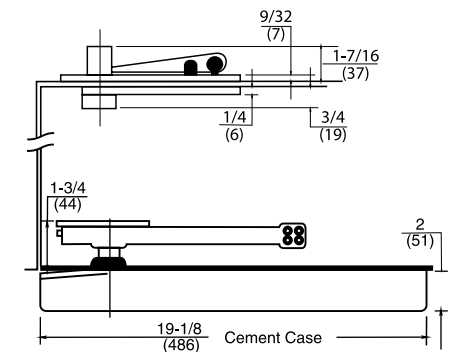
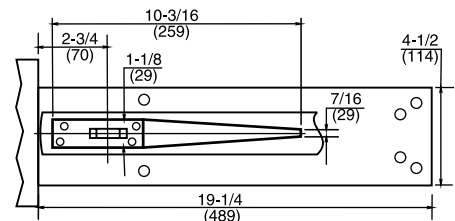
- Centering arm with adjustment screws in faces of door
- Interchangeable spindle adapters
- Separate and independent valves for closing speed, latch speed and backcheck
- Available non-hold open (N) or automatic hold open (A) specify 90° or 105°
- Delayed action option – prefix "DA" (*non-hold open only*). Closers will not have backcheck
- Order spring sizes 3 through 5:

Model	Door Width
5013	36" (914mm)
5014	42" (1067mm)
5015	48" (1219mm)
- Models available to meet ICC/ANSI A117.1 low opening force requirements. Prefix "PH"

Model	Door Width
PH5012	42" (1067mm)
PH5013	48" (1219mm)
- Available with floor plate or threshold installation (*floor plate shown*)
- Cylolac, rustproof cement case
- Arm reinforcement bracket for wood doors prefix "W"
- Standard top pivot #340 included
- Not allowed for fire rated doors
- Frame stop required at lock edge. If not supplied by frame manufacturer, recommend use of 60131 (*see Door Control Accessories, page 92*)
- Furnished with wood and machine screws
- Extended spindles available in 1/2" increments up to 2" longer than standard

Technical Information

Frame stop required at lock edge




Options

Delayed Action – Prefix DA

After full open permits door to remain ajar (*at 70 degrees*) for up to 40 seconds. Operates by separate valve and can be shut off if not needed. Not available on closers with hold open feature. Closers with DA feature do not have backcheck.


Physically Handicapped – Prefix PH

To comply with ICC/ANSI A117.1 and guidelines established by the Americans with Disabilities Act, PH prefix indicates 5 pounds of opening force, based at 30" from centerline of pivot. PH closers may not be used on labeled fire doors. Rixson® accepts no responsibility for PH closers and door latching. Also, be advised that ADA guidelines DO NOT apply to fire rated openings or exterior doors. 


Wood Door – Prefix W

When using a center hung product with the centering arm (i.e., 5010 and 5020) a special plate and less obtrusive adjusting screws are needed for wood doors. This plate is reinforcement for the deep mortise required for that arm, protecting the veneer.

Fire Rated – Prefix F

Closer packages for fire rated doors (*up to 3 hours*) include a steel top pivot and must have additional steel intermediate pivots. These closers are non-hold open. 

Twenty Minute Label – Suffix -20

This UL rating is for 20-minute doors. Pivots are brass-based material and include a visible label. 

Less All Parts – Suffix LAP

If closer is needed for replacement, the arm, cover, cement case, top pivot and floor plate are omitted.

Less Floor Plate – Suffix LFP

When thresholds or cover pans are being used the closer doesn't need the decorative floor plate.

Less Cement Case – Suffix LCC

For existing installations or when cement case has been sent earlier in construction. Closer will be packaged without the cement case.

Less Top Pivot – Suffix LTP

For unusual head conditions where the top pivot cannot be used, the closer is shipped without the top pivot. For offset installations an additional load bearing intermediate (*side jamb*) M190 pivot is required. All intermediate pivots for that opening should be M190's, not M19's.

Shallow Depth Floor Closers Options Certifications Limited Warranty Specifications

Options Continued

Non Hold Open – Suffix N

These closers do not hold the door open. This feature cannot be changed in the field.

Automatic Hold Open – Suffix A

These closers hold the door open. This feature cannot be changed in the field. Specify 90°, 105° or 180°.

Hand – Suffix RH or LH

All single acting floor closers are handed. All double acting floor closers (5020) are non-handed.

Extended Spindle – Suffix Extra Length

Any special coverings or severe door undercuts will require an extended spindle. See product template to determine if an extended spindle is needed. Extended spindles available in 1/2" increments up to 2" longer than standard.

1-1/2" Offset – Suffix 1-1/2

Offset is the distance from the face of the door to the pivot point. Extended offsets should not be used unless there is cladding on the face of the door or there is trim to clear on the frame. 1-1/2" offset arms and pivots are for doors with cladding or trim that project 3/4" from the face of the door.

Cover Pan (Terrazzo) – Suffix Part Number

Closers should always be accessible. They should never be buried beneath flooring materials. A cover pan sits on top of the closer and has the flooring material set in it. This way the sight line for the floor is consistent. Cover pans may require closers with longer spindles. See cover pan template to determine spindle length needed.

Special Layouts – Suffix SPLO#

Unique installations or specially engineered products are called special layouts. These numbers must be assigned by the technical support department and they must be called out specifically by their number when ordered.

Certifications

All Rixson® shallow depth floor closers are in compliance with ANSI/BHMA 156.4 Standards. See individual products for sub sections.



Limited Warranty

Rixson® shallow depth floor closers, models 50, 51 and F53 are warranted for 2 years against defect. See Rixson® Price Book for specific details of the limited warranty.

Specifications

Interior door floor closers shall be models 50 (center hung), 51 (offset hung) or F53 (independently hung). These closers shall have separate and independent checking valves to control latch speed, closing speed and adjustable hydraulic backcheck. All closers shall have a minimum of two bearings internal to the closer. One shall be a thrust bearing and the other a needle bearing. Separate bearing surfaces shall be in the top pivot. Closers shall have cases no more than 2" deep. Fire rated model F51 shall have steel top pivots. Male spindle assemblies shall have removable spindle adapters, changeable in the field.