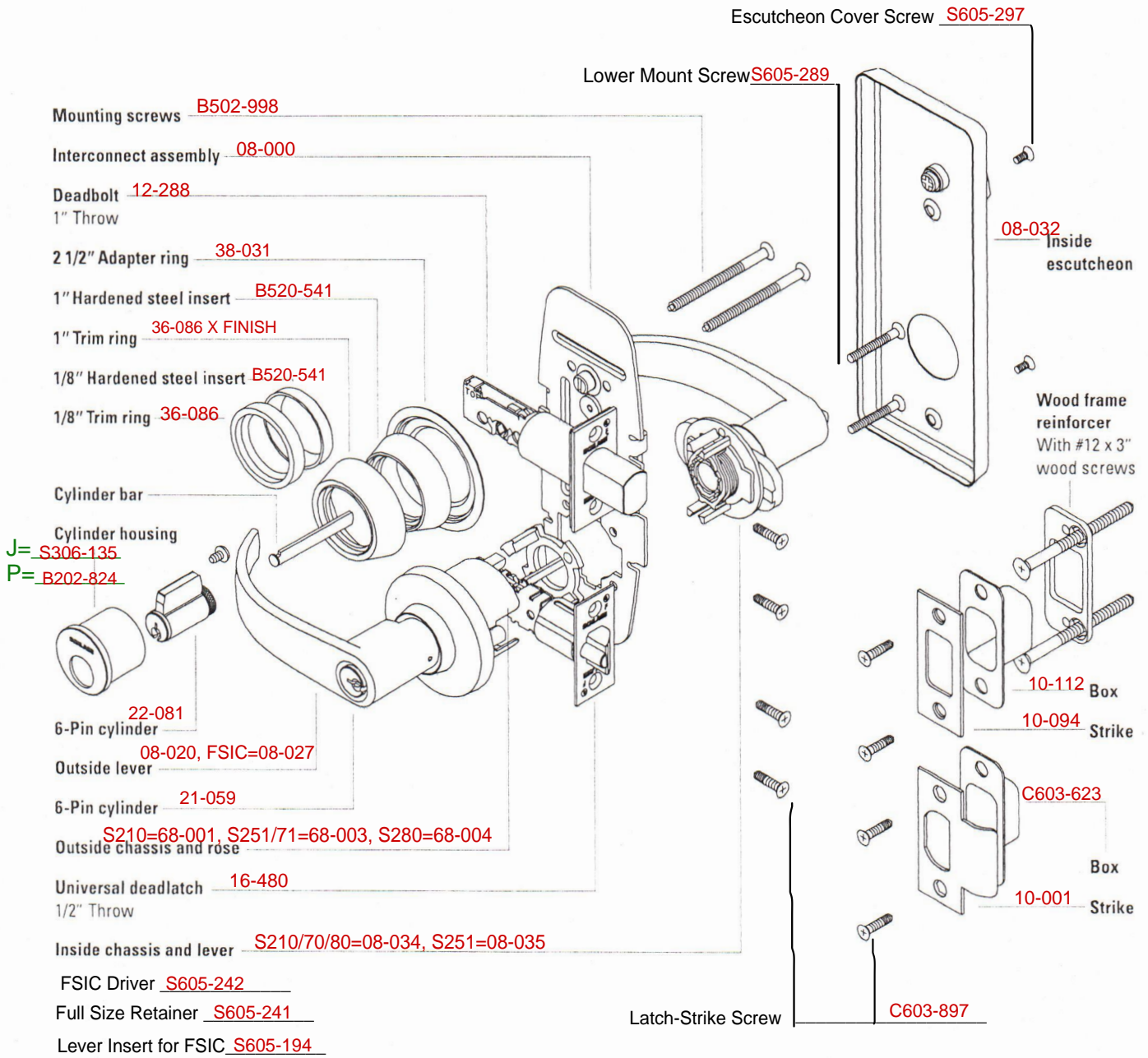


S200 Series

REV 11/27/2023

INTERCONNECT LOCK



INTERCONNECTED

S200-1