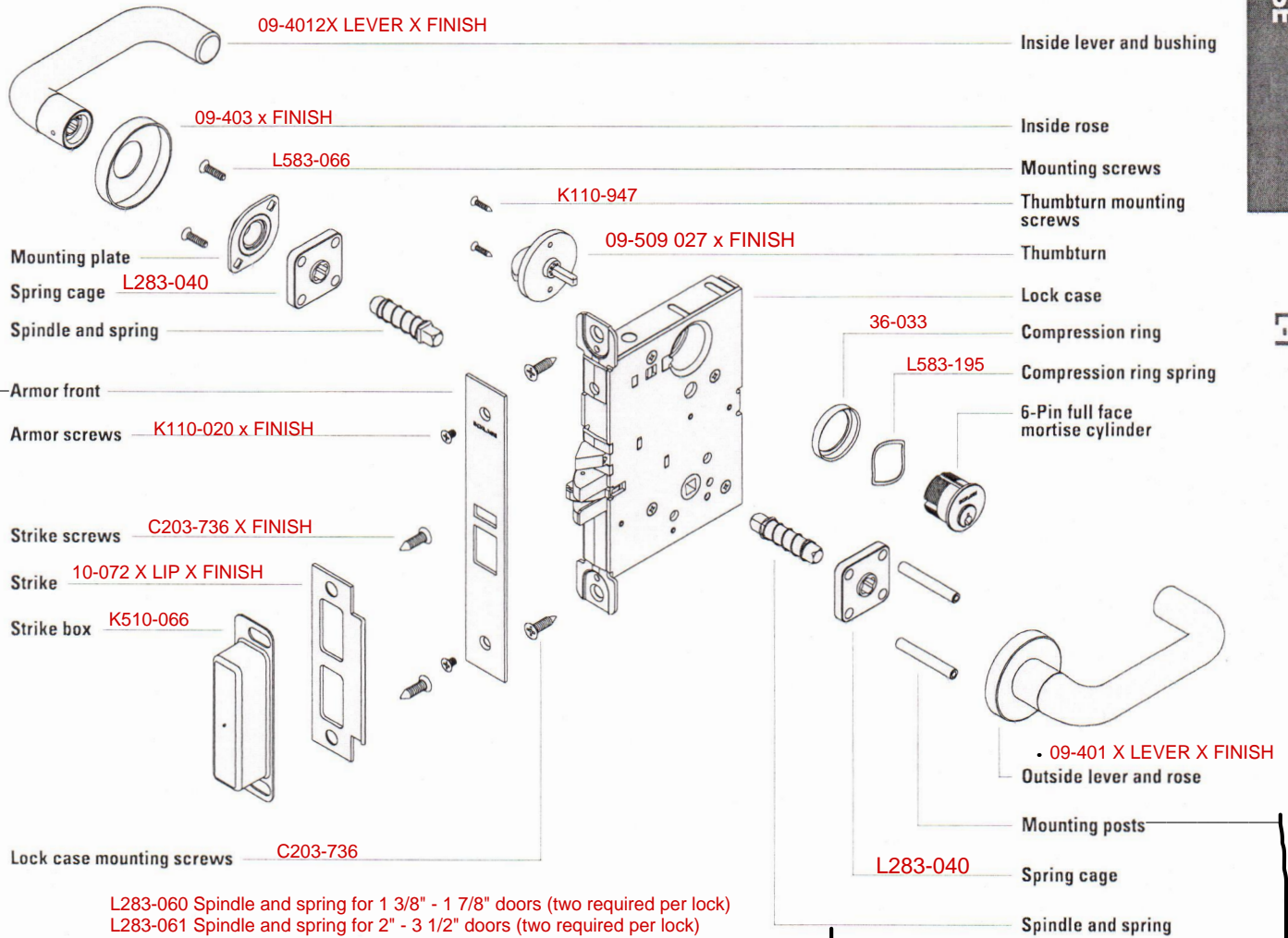


GRADE 1 MORTISE LEVERED LOCK

MORTISE

L-1



L283-060 Spindle and spring for 1 3/8" - 1 7/8" doors (two required per lock)  
 L283-061 Spindle and spring for 2" - 3 1/2" doors (two required per lock)  
 L283-064 Spindle and spring, L0172, L9091/93/95, L9493/95 (one required per lock)  
 L283-065 Spindle and spring, L0170 half dummy (one required per lock)

L583-211 Mounting post for 1 3/8" door thickness  
 L583-212 Mounting post for 1 3/4" door thickness  
 L583-213 Mounting post for 2" door thickness  
 L583-214 Mounting post for 2 1/4" door thickness  
 L583-215 Mounting post for 2 1/2" door thickness  
 L583-216 Mounting post for 2 3/4" door thickness  
 L583-217 Mounting post for 3" door thickness  
 L583-218 Mounting post for 3 1/4" door thickness  
 L583-219 Mounting post for 3 1/2" door thickness

- 09-661 Blank (L9175, L9176)
- 09-662 Latch only (L9010, L9040, L9044)
- 09-663 Latch x aux latch (L9050, L9056, L9060, L9070, L9071, L9080, L9082, L9090/91/92/93/95/95\*)
- 09-713 Latch x aux latch (L9076, L9077)
- 09-664 Latch x deadbolt (L9440, L9444, L9456, L9457, L9465, L9466, L9473, L9496)
- 09-665 Deadbolt (L9460, L9462, L9463, L9464)
- 09-666 Latch x aux latch x deadbolt (L9453, L9458, L9480, L9485, L9486, L9492/93/94/95)
- 09-717 Deadbolt armor (L460, L462, L463, L464, L480, L496)

Indicates products that have EPD documentation available and meet LEED v4.