

**FALCON®**

Door controls



# SC90A Series



Designed for light-duty interior applications the Falcon SC90A closer ensures smooth, reliable operation. The SC90A is backed by a ten-year warranty and is preset for easy installation.

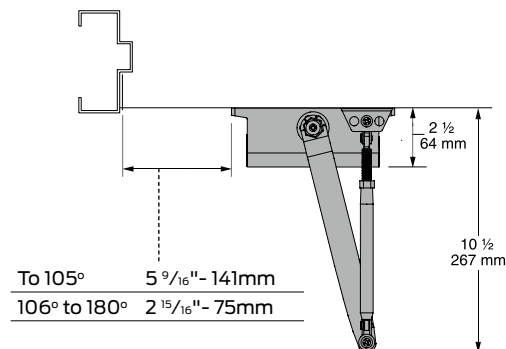
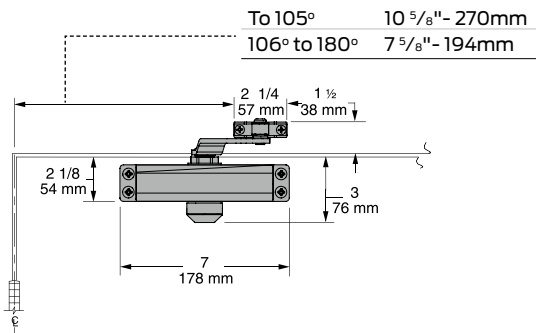
## Standard features

- Single piece cast aluminum body
- Fixed sizes 1, 3 and 4
- Separate adjustable general speed and latch speed
- SC90A closer mounts hinge side, top jamb, or parallel arm when the RW/PA arm is specified
- Non-handed for left or right swinging doors
- Heat-treated pinion and steel piston
- SC93A/94A comes standard with a universal screw pack for aluminum, hollow metal, and wood doors, includes self reaming and tapping screws
- Meets ANSI A117.1
- Listed ANSI/BHMA A156.4, grade 3
- Comes standard with adjustable backcheck; optional no backcheck available
- SC93A/94A is UL listed and compliant to UL10C and UBC 7-2 (1997)
- 10-year warranty
- Offered in aluminum and dark bronze finish

## Listings and ratings

The Falcon SC93A/94A Series is UL approved and compliant with the UL 10C and UBC 7-2 (1997) fire test. Additionally the SC91A closers are designed to meet the American Disabilities Act (ADA) and ANSI A117.1. The SC90A Series is listed ANSI/BHMA A156.4, Grade 3.

## SC91A Hinge (pull side)

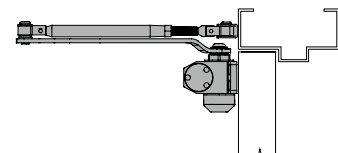


**Butt Hinges** should not exceed 5" (127mm) in width.

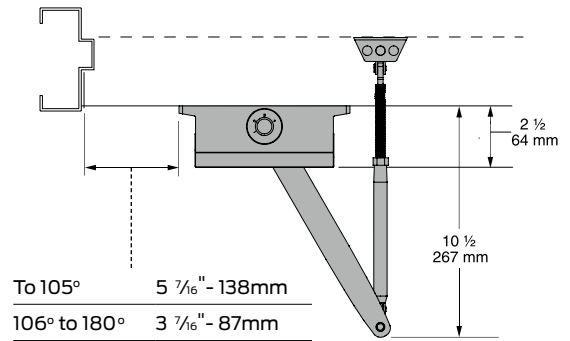
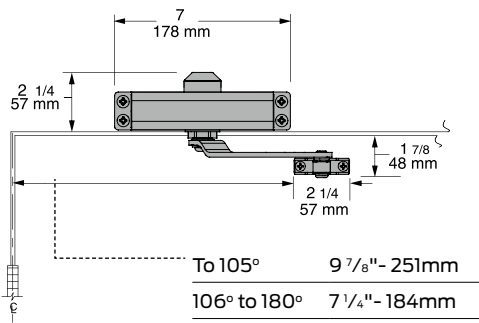
**Auxiliary Stop** is recommended at hold-open point or where a door cannot swing 180°

**Reveal** should not exceed 3/4" (19mm) for regular arm.

**Clearance** of 2 1/2" (64mm) behind door required for 90° installation.



## SC91A Top jamb (push side)

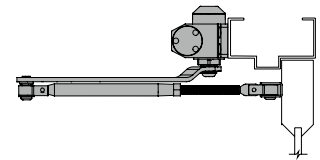


**Butt hinges** should not exceed 5" (127mm) in width.

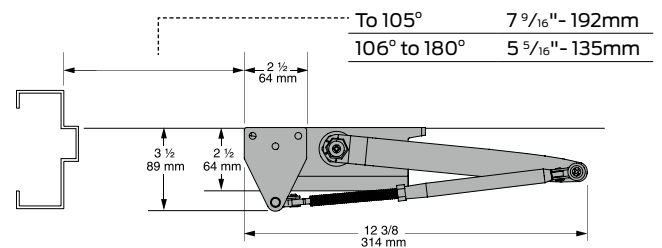
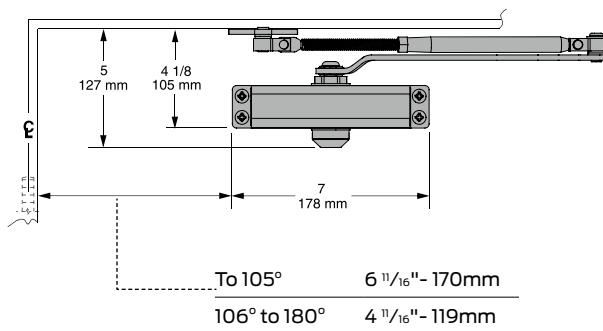
**Auxiliary stop** is recommended at hold-open point or where a door cannot swing 180°.

**Reveal** should not exceed 2" (51mm) for regular arm or hold-open arm.

Note: Top jamb mount is only available with the regular arm.

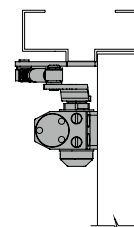


## SC91A Parallel (push side)



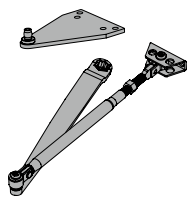
**Butt hinges** should not exceed 5" (127mm) in width.

**Auxiliary stop** is recommended at hold-open point or where a door cannot swing 180°.

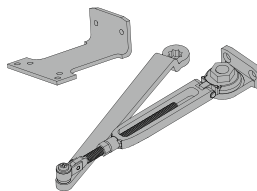


## Arm types and accessories

All SC91A closers come with standard arm. Optional pinion caps are also available for replacement.



**Regular arm, SC91A-3077PA**  
Non-handed arm with adjustable forearm assembly to accommodate a range of doors and frame reveal conditions. Mounts hinge side, top jamb or parallel arm. PA shoe included to allow installation in a parallel arm configuration. Available only on SC91A closers.

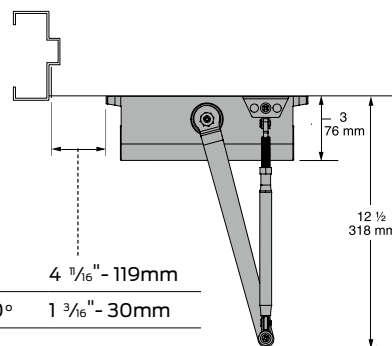
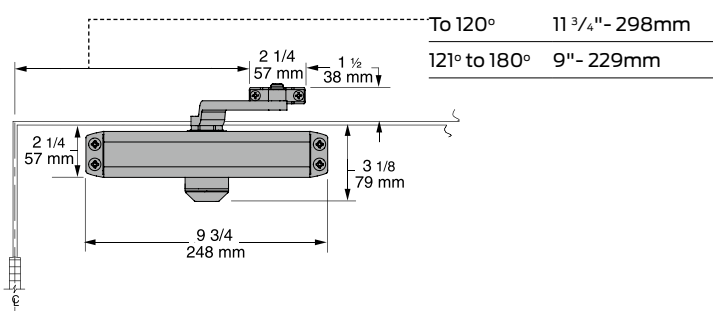


**Hold-open arm, SC91A-3049PA**  
Optional, non-handed, hold open arm with adjustable forearm assembly to accommodate a range of doors and frame reveal conditions. Mounts hinge side, top jamb or parallel arm. PA shoe included to allow installation in a parallel arm configuration. Available only on SC91A closers.



**Pinion cap, SC91A**  
Available for replacement with SC91A.

## SC93A/94A Hinge (pull side)

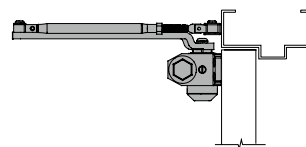


**Butt hinges** should not exceed 5" (127mm) in width.

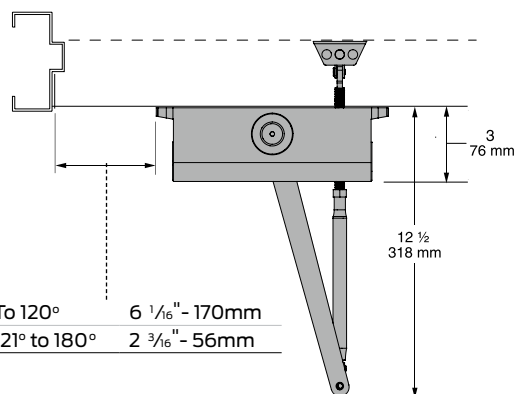
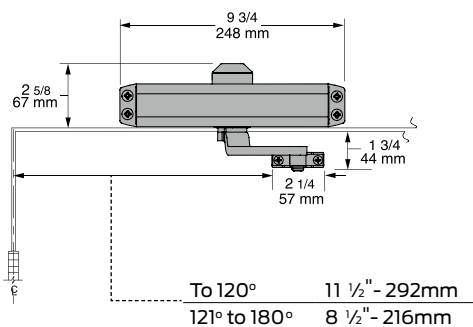
**Auxiliary stop** is recommended at hold-open point or where a door cannot swing 180°.

**Reveal** should not exceed 3/4" (19mm) for regular arm.

**Clearance** of 3" (76mm) behind door required for 90° installation.



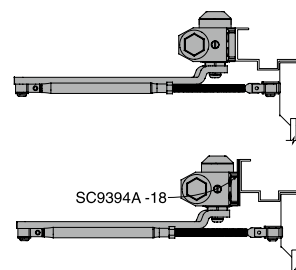
## SC93A/94A Top jamb (push side)



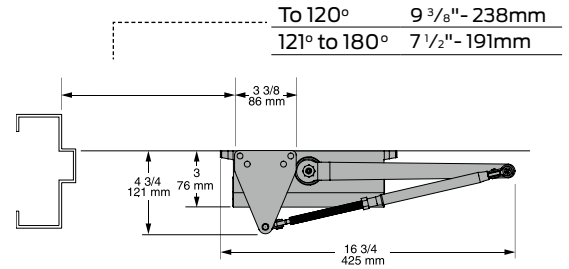
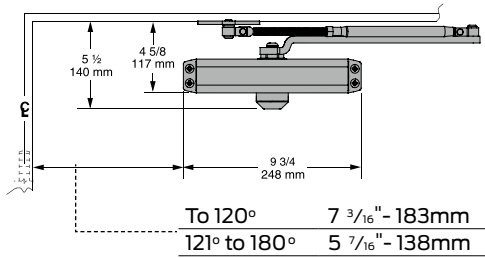
**Butt hinges** should not exceed 5" (127mm) in width.

**Auxiliary stop** is recommended at hold-open point or where a door cannot swing 180°.

**Reveal** should not exceed 3 1/4" (83mm) for regular arm.

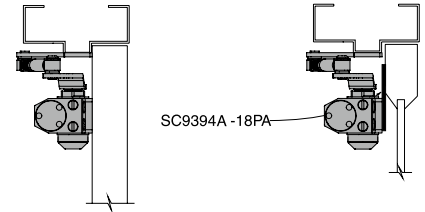


# SC93A/94A Parallel (push side)



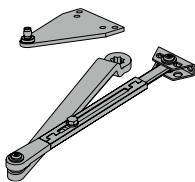
**Butt hinges** should not exceed 5" (127mm) in width.

**Auxiliary stop** is recommended at hold-open point or where a door cannot swing 180°. Backcheck closer with the backcheck option requires 105° mounting.

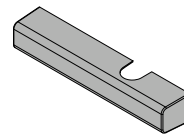


## Arm type and accessories

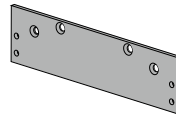
All SC93A/94A closers come with standard arm and screw pack. Optional accessories available for order.



**Regular arm, SC90A-3077PA**  
 Non-handed arm with adjustable forearm assembly to accommodate a range of doors and frame reveal conditions. Mounts hinge side, top jamb or parallel arm. PA shoe included to allow installation in a parallel arm configuration. Available with SC93A/94A only.



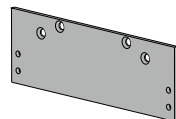
**Slim cover, SC90A-72**  
 Optional non-handed, slim plastic cover. Available only with SC93A.



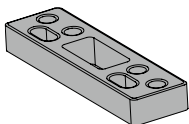
**Plate, SC90A-18**  
 Required for top jamb mounting where head frame is less than 1 3/4" (44mm) or flush ceiling conditions exists. Available only with SC93A/94A.



**Soffit shoe support, SC90A-30**  
 Provides anchorage for fifth screw used with soffit shoe, where reveal is less than 3 1/16" (78mm).



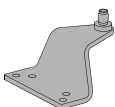
**Plate, SC90A-18PA**  
 Required for parallel arm mounting where top rail is less than 4 5/8" (117 mm), measured from the stop. Plate requires 2 1/8" (54mm) minimum top rail measured from stop. Available only with SC93A/94A.



**Blade stop spacer, SC90A-61**  
 Required to lower parallel arm shoe to clear 1/2" (13mm) blade stop.



**Pinion cap, SC90A**  
 Available for replacement with SC93A/94A.



**Auxiliary shoe, SC90A-62A**  
 Requires a top rail of 7" (178mm). Optional shoe replaces PA shoe for parallel arm mounting of regular arm with overhead holder/stop.

## Cylinder options

**Standard cylinder (STD)** – Standard cylinder provides a main speed function to control the motion of the door from maximum opening angle until the door is a few inches from the latch where latch function controls the final closing motion. The opening swing is controlled by the hydraulic backcheck function from about 70° to maximum opening angle.

**Delayed action cylinder (DEL)** – Special cylinder provides a separate adjustable delayed closing motion from maximum opening angle to approximately 70°. Then the main speed function controls the door motion until the door is a few inches from the latch where latch function controls the final closing motion. During the opening swing the door is controlled by the hydraulic backcheck function from about 70° to maximum opening angle.

## Competitive cross reference

### Surface closer cross reference

Falcon	SC60A	SC70A	SC80A	SC90A
Norton	*1600BC	*7500/7700	*8500	1700BC
Hager	*5300	5100	*5200	5400
Stanley	*D-1650	D-4550	D-3550	
Yale	*50/51BC/1100	*4400	3300/ *3500	5100BC
Sargent	*1130	280/350	*1330	
Corbin		DC8000	DC3000	
Dorma	7400	8900	*8600	7300/7200

\* identical footprint to listed Falcon closer.

### Concealed closer cross reference

Falcon	OHC100 Series
Dorma	RTS88
Global	TC7000
International	Series 200, Series 300, Series 500
Jackson	20-330
Kawneer	Husky II
Sentinel	30 Series