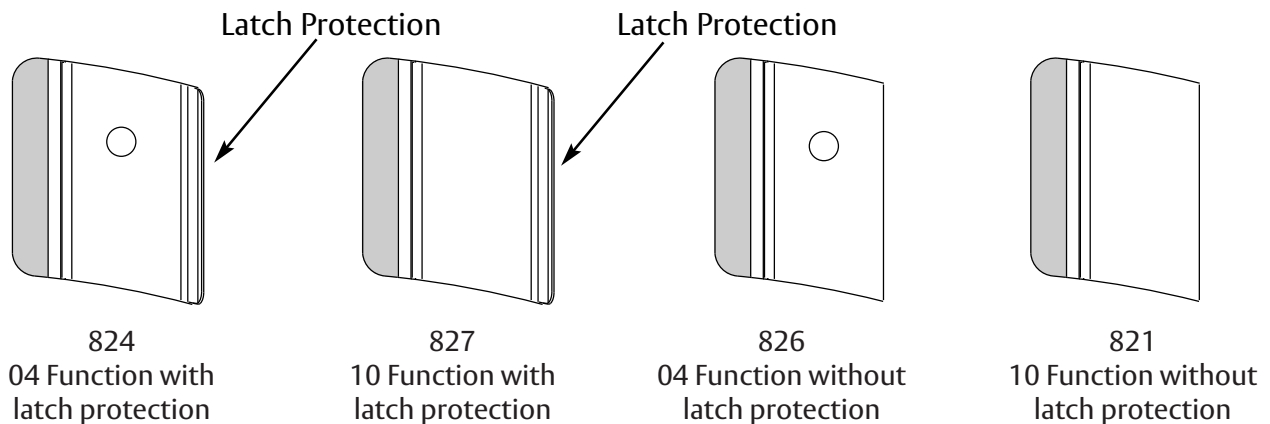


# Installation Instructions

## Anti Vandal Pull Trim

Used with 8800 & 8900 Series and  
PE8800 & PE8900 Series Exit Devices

For proper trim installation, prepare door with instructions and template(s) supplied with the exit device, and template A7628 (Included with AVT trim).



### **WARNING**

This product can expose you to lead which is known to the state of California to cause cancer and birth defects or other reproductive harm. For more information go to [www.P65warnings.ca.gov](http://www.P65warnings.ca.gov).

### **WARNING**

Attention Installer: Improper installation may result in damage to the product and void the factory warranty.

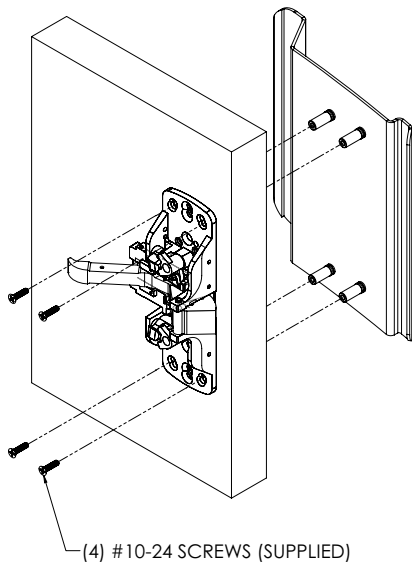
1-800-727-5477 • [www.sargentlock.com](http://www.sargentlock.com)

Copyright © 2023, SARGENT Manufacturing Company. All rights reserved. Reproduction in whole or in part without the express written permission of SARGENT Manufacturing Company is prohibited. Patent pending and/or patent [www.assaabloyds.com/patents](http://www.assaabloyds.com/patents).

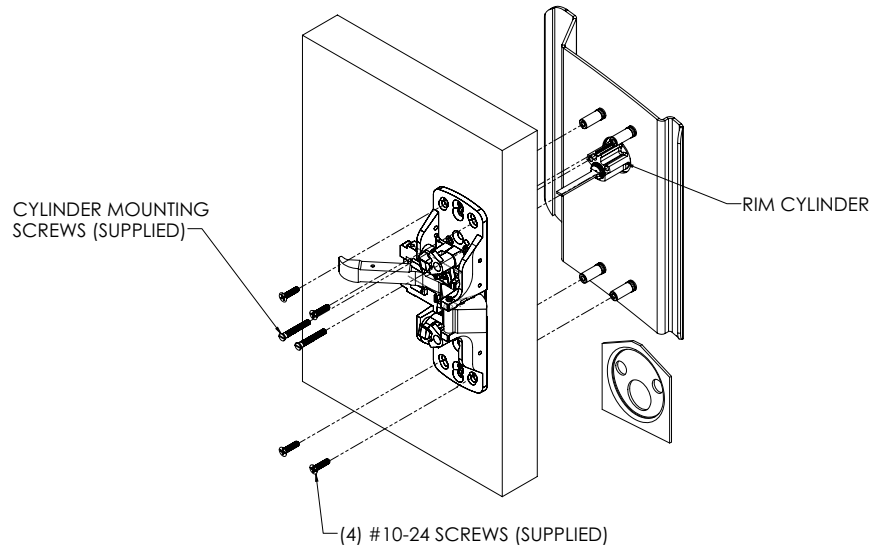
A5030-3 05/23

Experience a safer  
and more open world

### 10 Function



### 04 Function



**Note:** When using cylinders other than Sargent, use mounting plates supplied with the cylinder.