

SARGENT®

ASSA ABLOY

90 Series Parts Manual



For assistance, contact SARGENT at
800-727-5477 or www.sargentlock.com

<p>⚠ WARNING This product can expose you to lead which is known to the state of California to cause cancer and birth defects or other reproductive harm. For more information go to www.P65warnings.ca.gov.</p> <p>08/2018</p>

90 series Parts List

9710

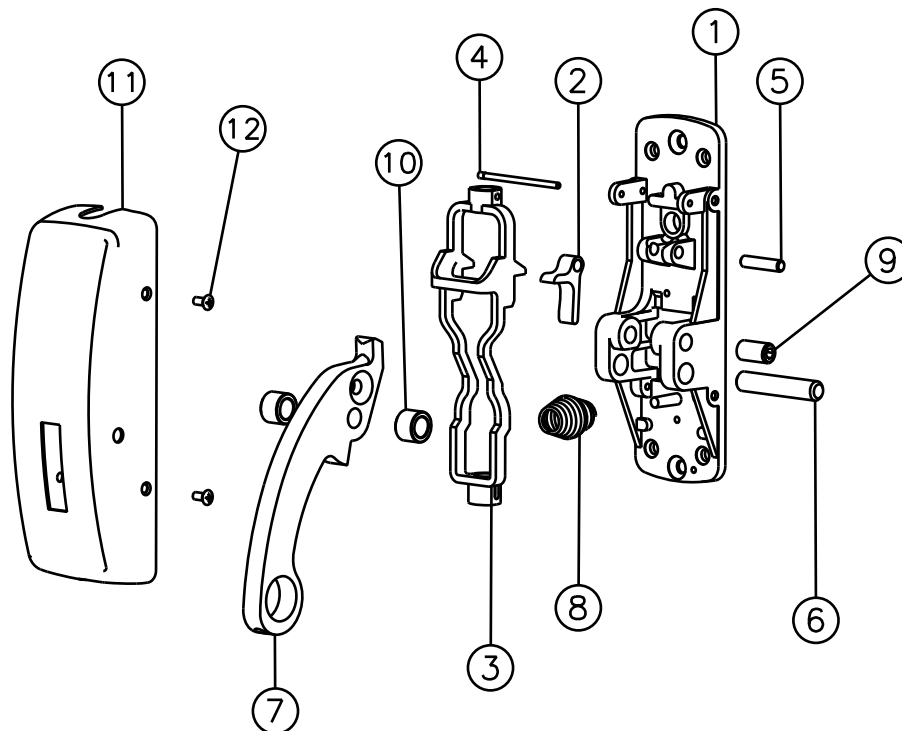
Parts List
Page No. 97.1
Rev. A
05/10/2004

CHASSIS ASSEMBLY
LESS COVER

9700	10 FUNCTION	97-2040 *
------	-------------	-----------

ITEM	ASSY NO.	PART NO.	DESCRIPTION	QTY
1	97-2851	—	CHASSIS	1
2		97-0075	LIFT LEVER	1
3		97-0577	MAIN SLIDE	1
4		68-0323	CHASSIS PIN	1
5		68-0324	PIVOT PIN LIFT LEVER	1
6		97-0030	PIVOT PIN MAIN ARM	1
7		97-0028	MAIN ARM *	1
8		97-0012	MAIN ARM SPRING	1
9		01-1494	BAR LOCK SCREW	2
10		97-0031	MAIN ARM SPACER	2
11		97-0370	COVER *	1
12		97-0052	SCREW * #8-32 X 5/16	4
		97-0049	ROD ADJUSTING PIN	2
		68-2143	STD. SRCEW PACK	1

* SPECIFY FINISH



90 series
Parts List

9706
9713

Parts List

Page No. Rev.
97.2A A

05/10/2004

CHASSIS ASSY
LESS COVER

9700

06 & 13 FUNCTIONS ±

97-2042

ITEM	ASSY NO.	PART NO.	DESCRIPTION	QTY
1	97-2853	—	CHASSIS	1
2		97-2001	LOCKING SLIDE ASSY	1
3		97-2048	CYLINDER HUB AND PIN ASSY	1
4		97-0006	LOCKING SLIDE SPRING RHRB	1
5		01-1190	SCREW SELF TAPPING #6-32 x 5/16	1
6		97-0075	LIFT LEVER	1
7		97-0577	MAIN SLIDE	1
8		97-0050	KNOB RETURN SPRING	1
9		01-0007	GROOVE PIN	1
10		97-0037	THUMBPIECE SLIDE	1
11		01-0749	GROOVE PIN	1
12		68-0323	CHASSIS PIN	1
13		68-0324	PIVOT PIN LIFT LEVER	1
14		01-0005	RETAINING RING	1
15		97-0043	KNOB HUB RETAINER	1
16		97-0042	KNOB HUB	1
17		68-0367	KNOB HUB COVER	1
18		01-3384	SCREW #8-32 x 7/16	2
19		97-0030	PIVOT PIN MAIN ARM	1
20		01-1494	BAR LOCK SCREW	2
21		97-0012	MAIN ARM SPRING	1
22		97-0028	MAIN ARM *	1
23		97-0031	MAIN ARM SPACER	2
24		97-0370	COVER *	1
25		97-0052	SCREW * #8-32 x 5/16	4
		97-0049	ROD ADJUSTING PIN	2
		68-2143	STD. SCREW PACK	

* SPECIFY FINISH

± FOR 9706 x ET OR 9713 x ET USE 9715 CHASSIS

THIS PAGE MUST FACE 97.2B

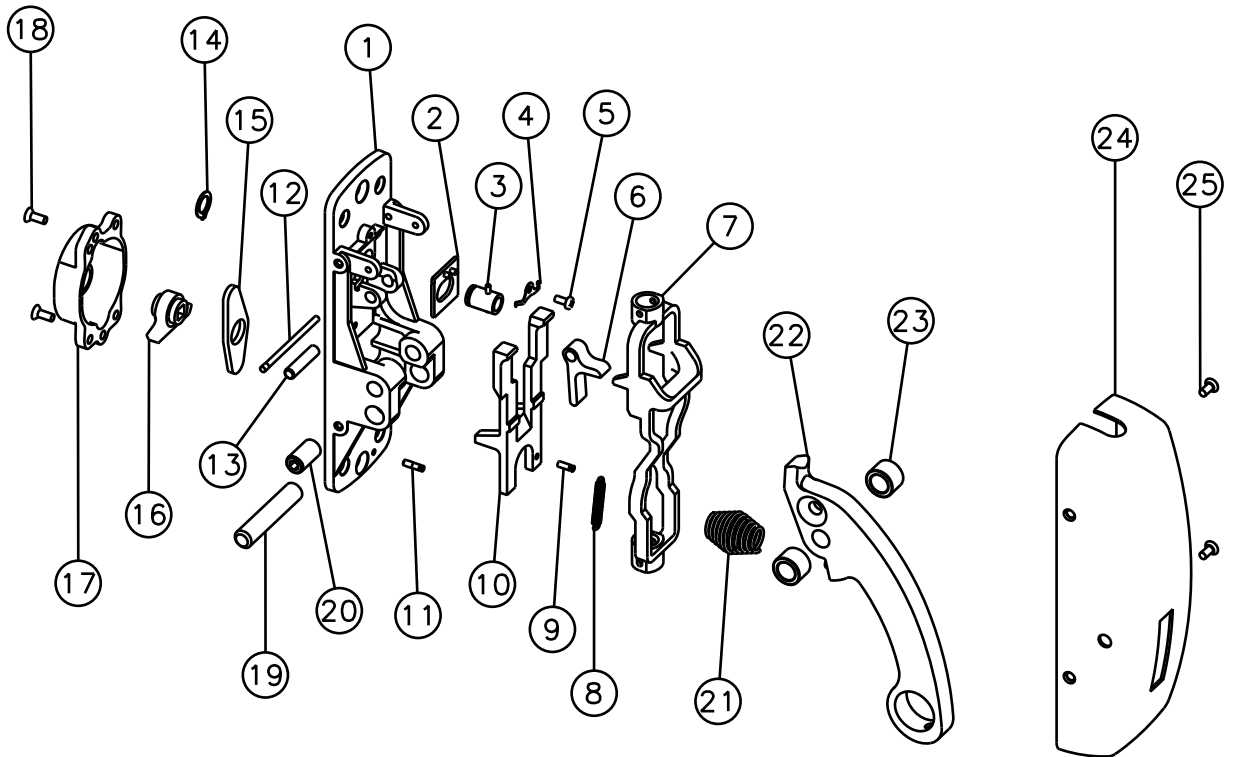
90 series
Parts List

9706
9713

Parts List
Page No. 97.2B
Rev. A
05/10/2004

CHASSIS ASSY
LESS COVER

9700	06 & 13 FUNCTIONS ±	97-2042
------	---------------------	---------



THIS PAGE MUST FACE 97.2A

90 series

Parts List

9715

Parts List

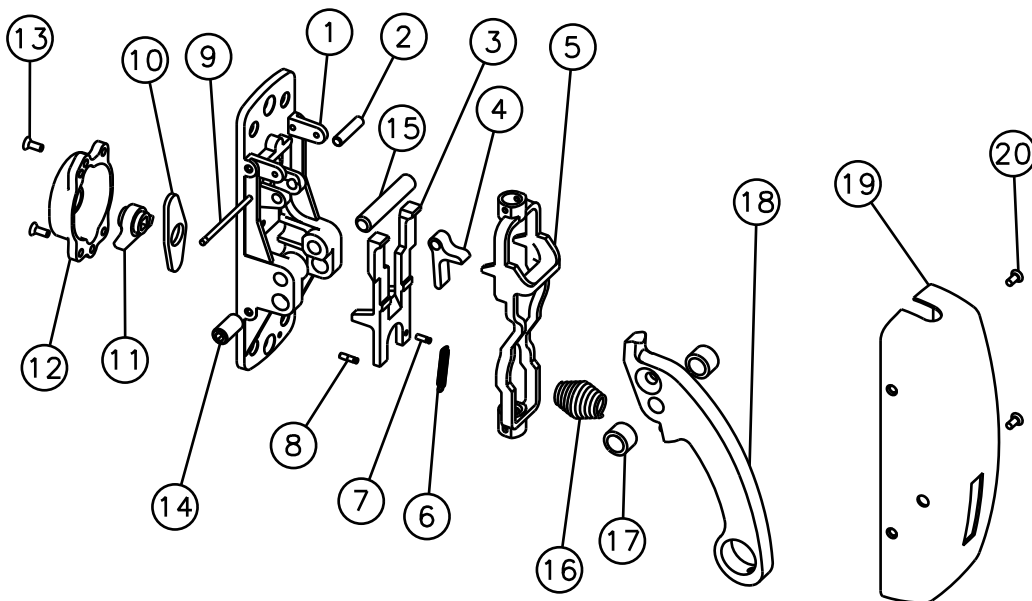
Page No. Rev.
97.3 A
05/10/2004

CHASSIS ASSY
LESS COVER

9700	15 FUNCTION	97-2381
------	-------------	---------

ITEM	PART NO.	PART NO.	DESCRIPTION	QTY
1	97-2854	—	CHASSIS	1
2		68-0324	PIVOT PIN	1
3		97-0037	THUMBPIECE SLIDE	1
4		97-0075	LIFT LEVER	1
5		97-0577	MAIN SLIDE	1
6		97-0050	KNOB RETURN SPRING	1
7		01-0007	GROOVE PIN	1
8		01-0749	GROOVE PIN	1
9		68-0323	CHASSIS PIN	1
10		97-0043	KNOB HUB RETAINER	1
11		97-0042	KNOB HUB	1
12		68-0367	KNOB HUB COVER	1
13		01-3384	MACHINE SCREW 8-32	2
14		01-1494	OVAL POINT SET SCREW 7/16-14	2
15		97-0030	CENTER CASE PIVOT PIN	1
16		97-0012	CASE AND BRACKET SPRING	1
17		97-0031	MAIN ARM SPACER	2
18		97-0028	MAIN ARM	1
19		97-0370	COVER *	1
20		97-0052	SCREW * #8-32 x 5/16	4
		97-0049	ROD ADJUSTMENT PIN	2
		68-2143	STD. SCREW PACK	1

* SPECIFY FINISH



90 series
Parts List

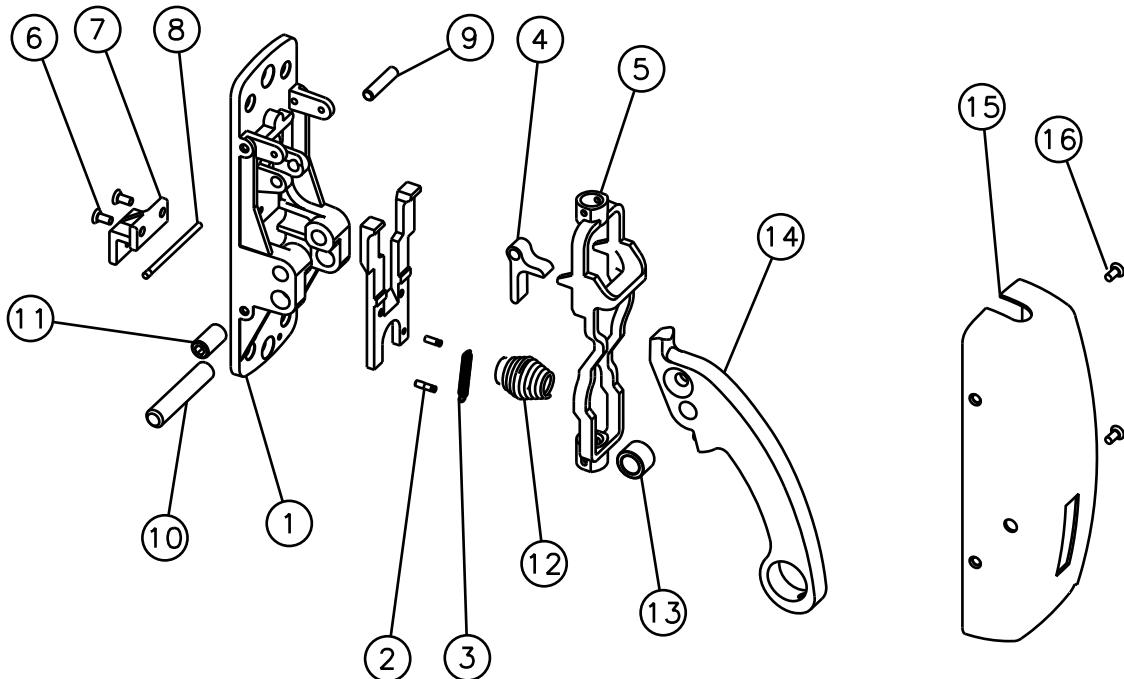
9728

Parts List
Page No. 97.4
Rev. A
05/10/2004

		CHASSIS ASSY LESS COVER
9700	28 FUNCTION	97-2384

ITEM	ASSY NO.	PART NO.	DESCRIPTION	QTY
1	97-2855	—	CHASSIS	1
2		01-0749	GROOVE PIN	1
3		97-0050	KNOB RETURN SPRING	1
4		68-0325	LIFT LEVER	1
5		97-0577	MAIN SLIDE	1
6		01-1146	SCREW #8-32 x 3/8	2
7		97-0089	THUMB PIECE LEVER	1
8		68-0323	CHASSIS PIN	1
9		68-0324	PIVOT PIN LIFT LEVER	1
10			97-0030	PIVOT PIN MAIN ARM
11		01-1494	SET SCREW	2
12		97-0012	SPRING MAIN ARM	1
13		97-0031	MAIN ARM SPACER	2
14		97-0028	MAIN ARM *	1
15		97-0370	COVER *	1
16		97-0052	SCREW * #8-32 x 5/16	4
		97-0049	ROD ADJUSTING PIN	2
		68-2143	STD SCREW PACK	

* SPECIFY FINISH



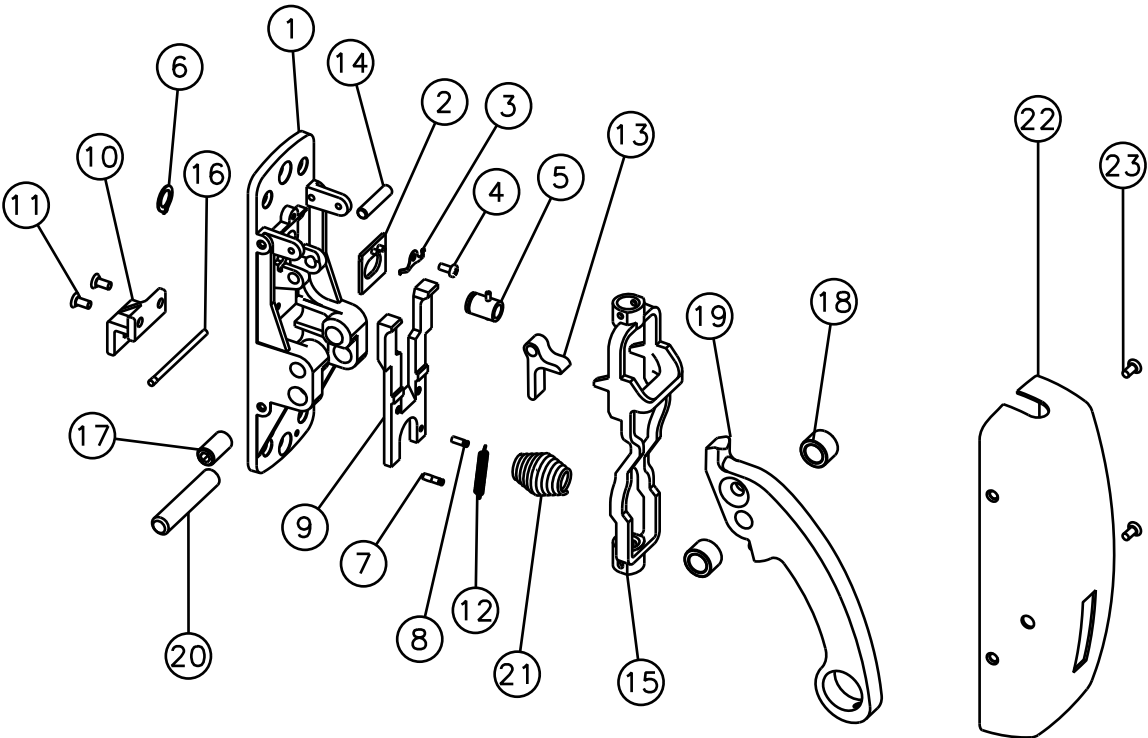
90 series
Parts List

9762
9763

Parts List
Page No. 97.5B
Rev. A
05/10/2004

CHASSIS ASSY
LESS COVER

9700	62 & 63 FUNCTIONS	97-2260
------	-------------------	---------



THIS PAGE MUST FACE 97.5A

90 series
Parts List

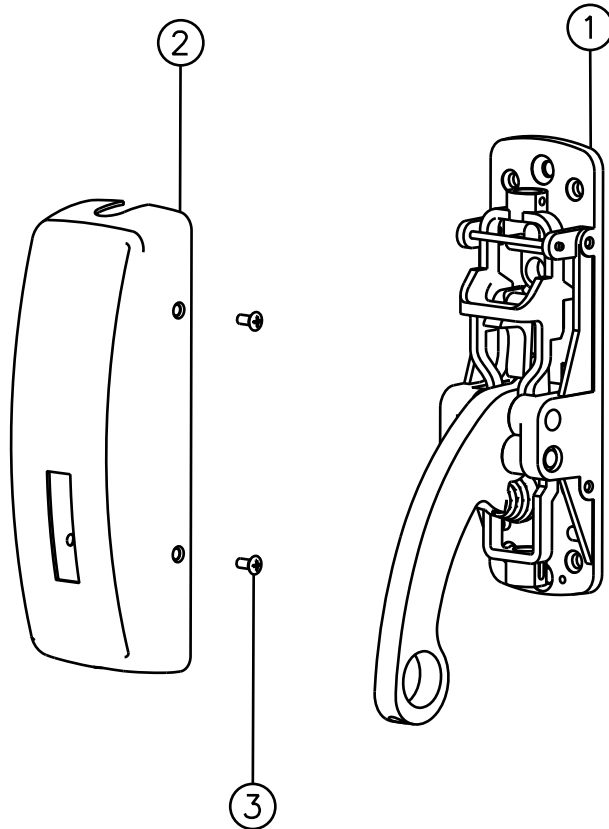
12-9710
12-9706
12-9713
12-9715
12-9728
12-9762
12-9763

Parts List
Page No. Rev.
97.6 A
05/10/2004

		CHASSIS ASSEMBLY LESS COVER
12-9700	10 FUNCTION	97-2237
	06 & 13 FUNCTION °	97-2240
	15 FUNCTION °	97-2406
	28 FUNCTION	97-2407
	62 & 63 FUNCTION	97-2302

ITEM	ASSY NO.	PART NO.	DESCRIPTION	QTY
1		SEE ABOVE	CHASSIS ASSEMBLY *	1
2		97-0086	COVER *	1
3		97-0052	SCREW * #8-32 x 5/16	4
		97-0049	ROD ADJUSTING PIN	2
		68-2143	STD SCREW PACK	1

* SPECIFY FINISH
° FOR 06 OR 13 FUNCTION BY ET
USE 15 FUNCTION CHASSIS.



90 series Parts List

9706 9710 9713
9715 9728 9762
9763

Parts List

Page No. Rev.
97.7 A

05/10/2004

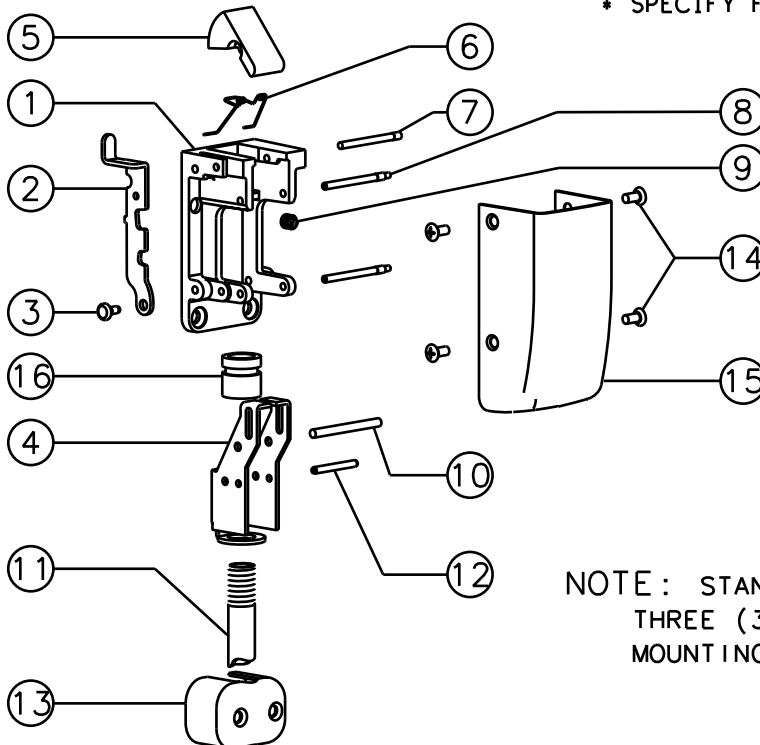
CHASSIS ASSEMBLY LESS COVER

9700	MANUFACTURED BEFORE 05/10/2004	LHRB RHRB	97-2434
9700	MANUFACTURED AFTER 05/10/2004	LHRB RHRB	68-4557

MANUFACTURED BEFORE 11/11/2002			
ITEM	PART NO.	DESCRIPTION	QTY
1	—	TOP CHASSIS	1
2	68-1155	LATCH RETRACTING LEVER	1
3	97-0065	PIVOT PIN LATCH RETRACTING LEVER	1
4	97-0298	TOP SLIDE	1
5	97-0296	LATCHBOLT	1
6	97-0300	SPRING LATCHBOLT	1
7	97-0294	PIVOT PIN LATCHBOLT	1
8	97-0046	RETAINING PIN TOP SLIDE	2
9	97-0579	SPRING LATCH RETRACTING LEVER	1
10	01-0461	SPIROL PIN LATCH HOLD BACK	1
11	97-0034	TOP ROD * (SPECIFY DOOR SIZE AND CROSS BAR HEIGHT)	1
12	97-0048	RETAINING PIN TOP ROD	1
13	97-0020	ROD GUIDE	1
14	97-0052	SCREW #8-32 x 5/16 *	4
15	97-0018	TOP COVER *	1
—	68-2113	SCREW PACK	1
—	629	TOP STRIKE PACK	1

MANUFACTURED AFTER 11/11/2002			
ITEM	PART NO.	DESCRIPTION	QTY
1	—	TOP CHASSIS	1
2	68-1155	LATCH RETRACTING LEVER	1
3	97-0065	PIVOT PIN LATCH RETRACTING LEVER	1
4	97-0298	TOP SLIDE	1
5	97-0296	LATCHBOLT	1
6	97-0300	SPRING LATCHBOLT	1
7	97-0294	PIVOT PIN LATCHBOLT	1
8	97-0046	RETAINING PIN TOP SLIDE	2
9	97-0579	SPRING LATCH RETRACTING LEVER	1
10	01-0461	SPIROL PIN LATCH HOLD BACK	1
11	68-0003	TOP ROD * (SPECIFY DOOR SIZE AND CROSS BAR HEIGHT)	1
12	01-0002	RETAINING PIN TOP ROD ADJUSTER	1
13	97-0020	ROD GUIDE	1
14	97-0052	SCREW #8-32 x 5/16 *	4
15	97-0018	TOP COVER *	1
16	68-1455	TOP ROD ADJUSTER	1
—	68-2113	SCREW PACK	1
—	629	TOP STRIKE PACK	1

* SPECIFY FINISH



NOTE: STANDARD TOP CHASSIS HAS
THREE (3) SCREW HOLES FOR
MOUNTING TO DOOR.

90 series Parts List

12-9706 12-9710
12-9713 12-9715
12-9728 12-9762
12-9763

Parts List

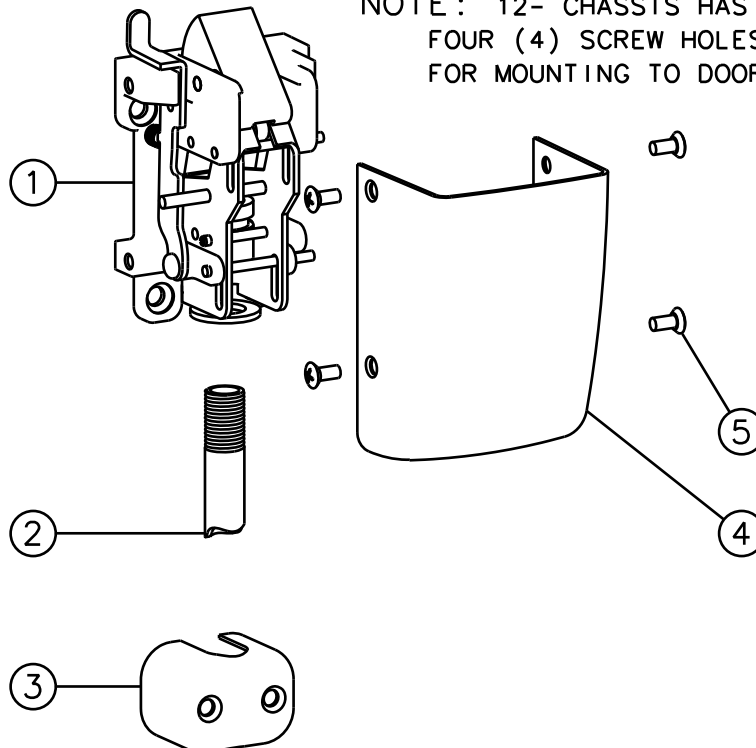
Page No. Rev.
97.8 A
05/10/2004

			TOP CHASSIS LESS COVER
12-9700	MANUFACTURED BEFORE 05/10/2004	LHRB RHRB	97-2963
12-9700	MANUFACTURED AFTER 05/10/2004	LHRB RHRB	68-4559

ITEM	PART NO.	DESCRIPTION	QTY
1	SEE ABOVE	CHASSIS ASSEMBLY	1
2	97-0034	TOP ROD FOR 97-2963 (SPECIFY DOOR SIZE AND CROSS BAR HEIGHT) *	1
	68-0003	TOP ROD FOR 68-4559 (SPECIFY DOOR SIZE AND CROSS BAR HEIGHT) *	
3	97-0020	ROD GUIDE *	1
4	97-0392	TOP CHASSIS COVER *	1
5	97-0052	SCREW #8-32 x 5/16 *	4
	97-0049	TOP ROD ADJ. PIN FOR 97-2963	1
	97-0051	SPRING FOR LATCH RETRACTOR LEVER	1
	68-3026	12- SCREW PACK WOOD DOOR 1 3/4"	1
	68-3027	12- SCREW PACK WOOD DOOR 2 1/4"	
	68-3028	12- SCREW PACK METAL DOOR	
	646	ADJUSTABLE STRIKE PACK	1
	655	FLAT STRIKE PACK	

* SPECIFY FINISH

NOTE: 12- CHASSIS HAS
FOUR (4) SCREW HOLES
FOR MOUNTING TO DOOR.



90 series Parts List

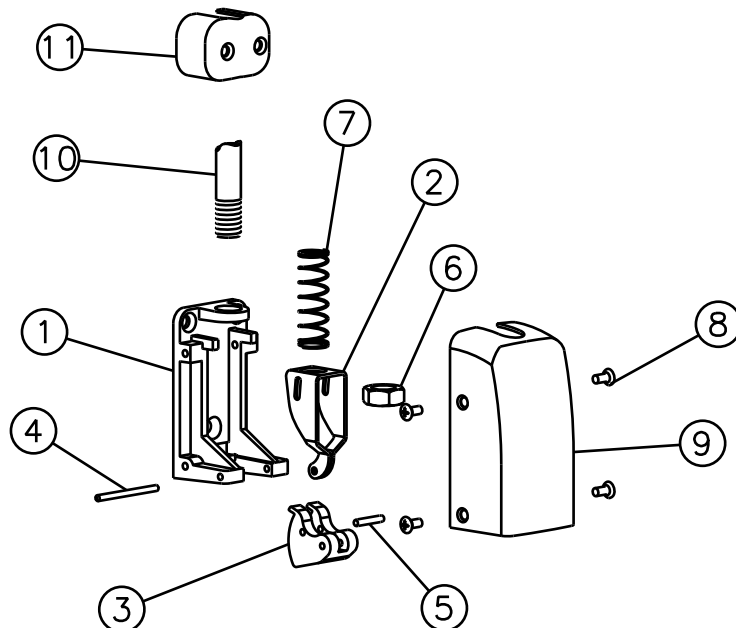
9706 9710
9713 9715
9728 9762
9763

Parts List

Page No. Rev.
97.9 A
05/10/2004

			BOTTOM CASE LESS COVER
9700	MANUFACTURED BEFORE 05/10/2004	LHRB RHRB	97-2038
9700	MANUFACTURED AFTER 05/10/2004	LHRB RHRB	68-4549

ITEM	ASSY. NO.	PART NO.	DESCRIPTION	QTY
1	97-2038	—	BOTTOM CHASSIS	1
2		97-0035	RETRACTOR	1
3		97-0053	LATCHBOLT	1
4		97-0048	PIVOT PIN LATCHBOLT	1
5		68-1094	SPIROL PIN	1
1	68-4549	—	BOTTOM CHASSIS	1
2		97-0035	RETRACTOR	1
3		97-0053	LATCHBOLT	1
4		97-0048	PIVOT PIN LATCHBOLT	1
5		68-1094	SPIROL PIN	1
6		97-0572	ADJUSTMENT NUT	1
7		97-0101	SPRING	1
8		97-0052	SCREW * #8-32 x 5/16	4
9		97-0018	BOTTOM COVER *	1
10		68-0003	BOTTOM ROD * SPECIFY W/WO THRESHOLD AND CROSSBAR HEIGHT.	1
11	97-0020	ROD GUIDE *	1	
—		97-0048	ADJUSTMENT PIN BOTTOM ROD	1
—		68-2113	SCREW PACK BOTTOM AND TOP CASES	1
—		624	STD BOTTOM STRIKE PACK	1



90 series Parts List

14-9706 14-9710
 14-9713 14-9715
 14-9728 14-9762
 14-9763

Parts List

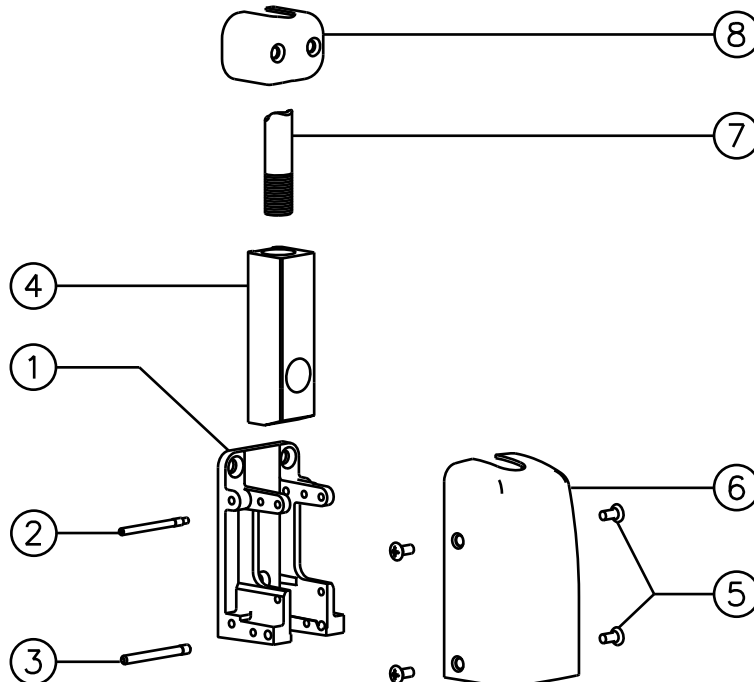
Page No. Rev.
 97.10 A
 05/10/2004

			BOTTOM CASE LESS COVER
14-9700	MANUFACTURED BEFORE 05/10/2004	LHRB RHRB	97-2039
14-9700	MANUFACTURED AFTER 05/10/2004	LHRB RHRB	68-4556

ITEM	ASSY. NO.	PART NO.	DESCRIPTION	QTY
1	97-2039	—	BOTTOM CHASSIS	1
2		97-0046	RETAINING PIN	1
3		97-0045	BUSHING PIN	1
4		97-0039	SLIDING BOLT	1
1	68-4556	—	BOTTOM CHASSIS	1
2		97-0046	RETAINING PIN	1
3		97-0045	BUSHING PIN	1
4		68-1456	SLIDING BOLT	1
5		97-0052	SCREW * #8-32 x 5/16	4
6		97-0018	BOTTOM COVER *	1
7		68-0003	BOTTOM ROD * SPECIFY W/WO THRESHOLD AND CROSSBAR HEIGHT.	1
8		97-0020	ROD GUIDE *	1
—	FOR 97-2039 ONLY	97-0048	ADJUSTMENT PIN BOTTOM ROD	1
—		68-2113	SCREW PACK BOTTOM AND TOP CASES	1
—		647	14- BOTTOM STRIKE PACK	1

* SPECIFY FINISH

68-4556 SHOWN



90 series
Parts List

12-9706 12-9710
12-9713 12-9715
12-9728 12-9762
12-9763

Parts List
Page No. Rev.
97.11 A
05/10/2004

BOTTOM CHASSIS
LESS COVER

12-9700	MANUFACTURED BEFORE 05/10/2004	LHRB RHRB	97-2002
12-9700	MANUFACTURED AFTER 05/10/2004	LHRB RHRB	68-4558

ITEM	PART NO.	DESCRIPTION	QTY
1	SEE ABOVE	BOTTOM CHASSIS ASSEMBLY	1
2	97-0020	ROD GUIDE *	1
3	68-0003	BOTTOM ROD (SPECIFY W/WO THRESHOLD AND CROSSBAR HEIGHT.) *	1
4	97-0087	BOTTOM COVER *	1
5	97-0052	SCREW #8-32 x 5/16 *	4
	68-3026	12- SCREW PACK WOOD DOOR 1 3/4"	1
	68-3027	12- SCREW PACK WOOD DOOR 2 1/4"	
	68-3028	12- SCREW PACK METAL DOOR	
	68-3924	HC SCREW PACK TOP AND BOTTOM CASES	
	646	ADJUSTABLE STRIKE PACK	1
	655	FLAT STRIKE PACK	

* SPECIFY FINISH

