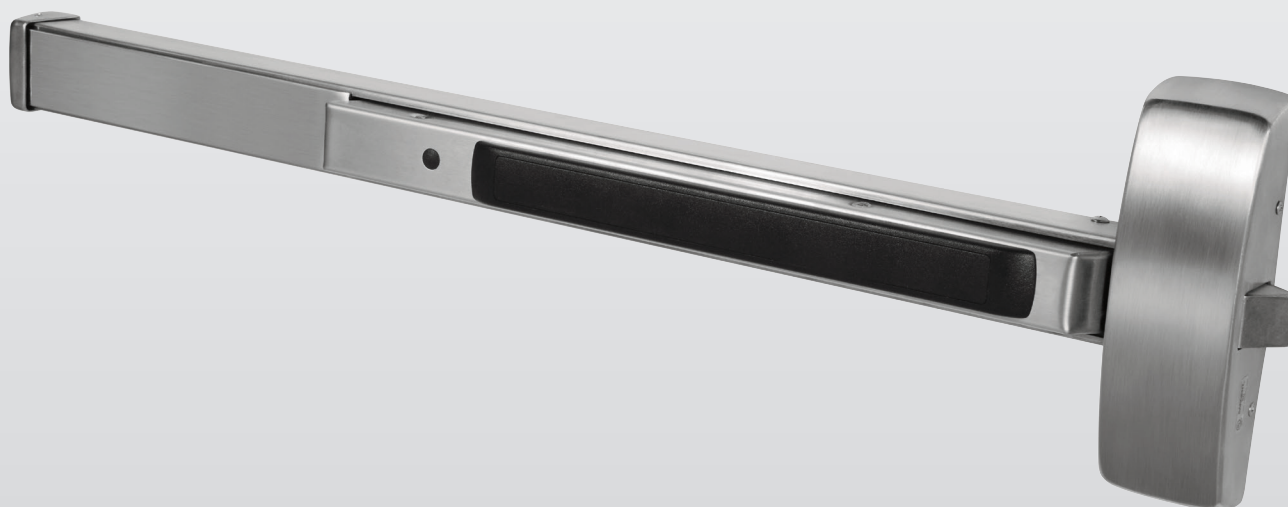


# 80 Series

## Exit Device










Copyright © 1998-2025, SARGENT Manufacturing Company. All rights reserved. Reproduction in whole or in part without the express written permission of SARGENT Manufacturing Company is prohibited. Patent pending and/or patent [www.assaabloydss.com/patents](http://www.assaabloydss.com/patents).

 **WARNING**

This product can expose you to lead which is known to the state of California to cause cancer and birth defects or other reproductive harm. For more information go to [www.P65warnings.ca.gov](http://www.P65warnings.ca.gov).

# Table of Contents

## 80 Series

<b>Features and Innovations</b> .....	6
<b>UL Fire Door Ratings and Opening Sizes</b> .....	6
<b>Windstorm Certifications</b> .....	7
<b>Rim Exit Device for Wide Stile Doors (Panic &amp; Fire Rated)</b>	
 8888/8810 Multi-Function Rim Exit Devices & Trims .....	8-9
8800 Rim Exit Devices .....	10
8800 Functions & Trims .....	11
<b>Mortise Lock Exit Device for Wide Stile Doors (Panic &amp; Fire Rated)</b>	
 8900 Mortise Exit Devices .....	12
8900 Functions & Trims .....	13
<b>Surface Vertical Rod Exit Device for Wide Stile Doors (Panic &amp; Fire Rated)</b>	
 8700 SVR Exit Devices .....	14
8700 Functions & Trims .....	15
NB8700 Less Bottom Rod SVR Exit Devices .....	16
NB8700 Functions & Trims .....	17
<b>Concealed Vertical Rod Exit Device for Wide Stile Doors (Panic &amp; Fire Rated)</b>	
 MD8600 (Windstorm Rated) & NB-MD8600 Concealed Vertical Rod Exit Device for Metal Doors .....	18
MD8600 & NB-MD8600 Functions & Trims .....	19
AD8600 & NB-AD8600 CVR Devices for Aluminum Doors .....	20
AD8600 & NB-AD8600 Functions & Trims .....	21
WD8600 & NB-WD8600 CVR Devices for Wood Doors .....	22
WD8600 & NB-WD8600 Functions & Trims .....	23
<b>Narrow Design Rim Exit Device for Wide &amp; Narrow Door Stiles (Panic &amp; Fire Rated)</b>	
 8500 Rim Exit Devices .....	24
8500 Functions & Trims .....	25
AD8500 Narrow Design Rim Exit Device for Aluminum Doors .....	26
AD8500 Functions & Trims .....	27
<b>Narrow Design Mortise Lock Exit Device for Wide Door Stiles (Panic &amp; Fire Rated)</b>	
 8300 Mortise Exit Devices .....	28
8300 Functions & Trims .....	29
<b>Narrow Design Concealed Vertical Rod Exit Device for Wide &amp; Narrow Stiles (Panic &amp; Fire Rated)</b>	
 MD8400 & NB-MD8400 Narrow Stile CVR Devices for Metal Doors .....	30
MD8400 & NB-MD8400 Functions & Trims .....	31
AD8400 & NB-AD8400 Narrow Stile CVR Devices for Aluminum Doors .....	32
AD8400 & NB-AD8400 Functions & Trims for Aluminum Doors .....	33

Copyright © 1998-2025, SARGENT Manufacturing Company. All rights reserved. Reproduction in whole or in part without the express written permission of SARGENT Manufacturing Company is prohibited. Patent pending and/or patent www.assaabloydss.com/patents.

# Table of Contents

## 80 Series

### Low Profile Center & Top Latching Vertical Rod Exit Device (Panic & Fire Rated)



LP8600 & LR8600 Center & Top Latching Exit Devices for Pairs of Doors . . . . .	34
LP8600/LR8600 Functions & Trims for Pairs of Doors . . . . .	35
LS8600 Center and Top Latching Vertical Rod for Single Door Applications . . . . .	36
LS8600 Functions & Trims for Single Doors. . . . .	37

### UL Listed Windstorm Products

MD8600 Concealed Vertical Rod Exit Devices: UL Hurricane-Resistant . . . . .	38-39
HC8800 Rim Exit Devices: UL Listed Hurricane-Resistant . . . . .	40-41
WS8800 Rim Exit Devices: UL Listed Hurricane-Resistant . . . . .	42-43
WS8900 Mortise Exit Device: UL Listed Hurricane-Resistant . . . . .	44-45
HC4-8700 SVR Exit Devices: UL Listed Hurricane-Resistant (up to 150 psf) . . . . .	46-47
HC8700 SVR Exit Devices: UL Listed Hurricane-Resistant (up to 65 psf) . . . . .	48-49
FM8700 2-Point SVR Exit Device: UL Listed Tornado-Resistant ICC500 (2014/2020) . . . . .	50-51

### Electrical Options

ElectroLynx® Information & Option Compatibility Chart . . . . .	52
Security Shim Kit Option . . . . .	53
SARGuide PL- Option & Latch Bolt Monitoring Option (53-) . . . . .	54
Alarm (AL-) Option & Request-to-Exit (55-) Option . . . . .	55
Electric Latch Retraction Option (56-) . . . . .	56
Electric Latch Retraction Motor Kits & Push Rail Kits . . . . .	57
Electric Dogging (58-) . . . . .	58
ElectroGuard Delayed Egress Option (59-) . . . . .	59
Electrified & Monitored (54-) ET Trims & Power Supplies . . . . .	60

### Lever and Trim Designs

ET Trim, Levers and Pulls . . . . .	61
Coastal Series Levers & Thumbpiece Pulls . . . . .	62
Studio Collection Levers . . . . .	63-64
Ordering Gramercy Series Levers . . . . .	65
Anti-Vandal Trim, 988 Surface Bolt, ET Plates & Dummy Rails . . . . .	66

### Miscellaneous

Cylinder Information . . . . .	67
Mullions: Aluminum, Steel & Electrified . . . . .	68-69
Mullion Accessories and Stabilizers . . . . .	70
Through-bolt Kits, Rod Extensions and Shim Kits . . . . .	71
End Caps and Cylinder Dogging Kits . . . . .	72
Rail Sizes and How to Order ET Trim . . . . .	73
Mechanical Options & Descriptions . . . . .	74
Cylinder Options & Descriptions . . . . .	75
How to Order . . . . .	76
Finishes & Finish Care . . . . .	77
Architectural Specifications . . . . .	78

Copyright © 1998-2025, SARGENT Manufacturing Company. All rights reserved. Reproduction in whole or in part without the express written permission of SARGENT Manufacturing Company is prohibited. Patent pending and/or patent www.assaabloydss.com/patents.

# Features and Innovations

## 80 Series

SARGENT manufactures a full line of exit devices including vertical rod, rim and mortise for both standard and narrow stile doors. These devices provide the best combination of simplicity, strength, durability, aesthetics and innovation and are perfect for applications such as commercial office buildings, medical and educational institutions.

### Simplicity

- Easy installation and maintenance-free design
- “True” architectural hardware finishes consistent with BHMA/ANSI standards
- Few moving parts – less wear
- Modular construction

### Hurricane-Resistant Products and Certifications

- UL Certified Latching Hardware and Assemblies (ZHEM & ZHLL)
- Product-specific detailed certifications and listings
- Available with Rim, Mortise, SVR & CVR devices

### Security

- Double cylinder functions available
- Torx® and spanner screws
- Anti-vandal trim options
- Master keying with SARGENT Security Key systems available (Signature, Keso F1, Keso and XC)

### Strength & Durability

- Made of finest component materials
- Heavy duty mounting construction
- Built to withstand abusive conditions
- 5 Year warranty

### Innovation

- Broad offering of electro-mechanical solutions for the most demanding access/egress control applications
- **MicroShield®** anti-microbial finish coating offers a new level of protection
- **SARGuide™** exit device contains an electroluminescent touchpad to enhance the visibility of exit locations in dark or smoke-filled passages and effectively improve the safety of any public building
- CTL (Center and Top Latching) Vertical Rod Devices offer less bottom rod convenience with true center latching for added security

### EcoFlex®



- Reduces energy consumption up to 95% for exit trim, as certified by Green Circle, which lowers operating costs; assists with load reduction in optimizing energy performance credit in LEED, and reduces the number of power supplies requires.
- Field configurable to fail-safe or fail-secure, and operates from 12-24VDC, offering greater flexibility in system design.
- Innovative actuator design provides superior reliability through higher performance and reduced maintenance; the ability to have longer cable runs without negatively impacting lock function. It reduces the risk of voltage drops and eliminates inductive kickback, and lowers the total cost of owner ship.

### MicroShield® Coating

#### MicroShield®

ASSA ABLOY Group companies offer MicroShield®, an anti-microbial coating for door hardware. MicroShield uses proven silver ion-based technology from Agion®, a leading provider of antimicrobial solutions, to stem the spread of bacteria and other microbes.

MicroShield® is a trademark of the respective ASSA ABLOY Group company.



The Agion antimicrobial is not intended as a substitute for good hygiene. Coated products must still be cleaned to ensure the surfaces will be free of destructive microbes. ASSA ABLOY makes no representations or warranties, express or implied, as to the efficacy of the Agion antimicrobial. A copy of the Agion warranty is available upon request. Agion is a registered trademark of Agion Technologies, Inc., Wakefield, MA, USA.

### SARGuide

The PL- SARGuide Photoluminescent Exit Device is a non electrical option which produces visible EXIT signage in darkness or low lit areas.

- Approved for use in New York City in accordance with RS 6-1 and RS 6-1A.
- Recharges from ambient light.
- No wiring or maintenance needed.



# UL Fire Door Ratings and Openings Sizes

80 Series

**SARGENT**  
**ASSA ABLOY**

## Maximum Door Opening-Fire Doors

Type	Exit Device	Door Material	Single Door	with 12-HC980 or 12-980 or 12-HCL980 Mullion	with 12-L980	with 12-HD980 Mullion	VR/VR Doors Swing Same Direction	SVR/Mortise Doors Swing Same Direction	CVR/Mortise MD Doors Swing Same Direction	CVR/Mortise WD Doors Swing Same Direction	VR/VR Double Egress
Rim	12-8800	Metal	3 Hour 4' x 10'	3 Hour 8' x 8'	1.5 Hour 8' x 8'	3 Hour 8' x 10'	—	—	—	—	—
	12-8500	Metal	3 Hour 4' x 8'	3 Hour 8' x 8'	1.5 Hour 8' x 8'	3 Hour 8' x 8'	—	—	—	—	—
Mortise Lock	12-8900	Metal	3 Hour 4' x 10'	—	—	—	—	3 Hour 8' x 8'	3 Hour 8' x 10'	—	—
	12-8300	Metal	3 Hour 4' x 10'	—	—	—	—	—	3 Hour 8' x 10'	—	—
SVR	12-FM8700	Metal	3 Hour 4' x 8'	—	—	—	3 Hour 8' x 8'	—	—	—	—
	12-8700	Metal	—	—	—	—	3 Hour 8' x 8'	3 Hour 8' x 8'	—	—	3 Hour 8' x 8'
	12-NB8700	Metal	—	—	—	—	3 Hour 8' x 10'	—	—	—	3 Hour 8' x 10'
CVR	12-MD8600	Metal	—	—	—	—	3 Hour 8' x 10'	—	3 Hour 8' x 10'	—	3 Hour 8' x 10'
	12-NB-MD8600	Metal	—	—	—	—	3 Hour 8' x 10'	—	—	—	3 Hour 8' x 10'
	12-MD8400	Metal	—	—	—	—	3 Hour 8' x 10'	—	3 Hour 8' x 10'	—	3 Hour 8' x 10'
	12-NB-MD8400	Metal	—	—	—	—	3 Hour 8' x 10'	—	—	—	3 Hour 8' x 10'
CVR/Mortise	12-LS8600	Metal	3 Hour 4' x 10'	—	—	—	—	—	—	—	—
	12-LP8600 & 12-LR8600	Metal	—	—	—	—	3 Hour 8' x 10'	—	—	—	3 Hour 8' x 10'

Any retrofit or other field modification to a fire rated opening can potentially impact the fire rating of the opening, and Sargent Manufacturing Company makes no representations or warranties concerning what such impact may be in any specific situation. When retrofitting any portion of an existing fire rated opening, or specifying and installing a new fire-rated opening, please consult with a code specialist or local code official (Authority Having Jurisdiction) to ensure compliance with all applicable codes and ratings.

### Notes:

- Please contact door manufacturer for specifications regarding fire door construction.
- Consult wood door manufacturers for current UL listing.

### Windstorm Certifications: Florida Building Codes & UL Listings

SARGENT Manufacturing's products meet building codes that require hurricane, windstorm and FEMA certifications, including some of the most stringent building codes as specified in the Florida Building Code, Miami Dade Code and the International Building Code. Listed below are certifications and standards met by the 80 Series lock.

#### Florida Building Code: FL2998

#### UL Certification Directory: ZHEM.R21744 – Latching Hardware

ANSI/SDI-BHMA A250.13	"Testing and Rating of Severe Windstorm Resistant Components for Swinging Door Assemblies"
ANSI/ASTM E330	"Standard Test Method for Structural Performance of Exterior Windows, Doors, Skylights and Curtain Walls by Uniform Static Air Pressure Difference"
ANSI/ASTM E1886	"Standard Test Method for Performance of Exterior Windows, Curtain Walls, Doors, and Impact Protective Systems Impacted by Missile(s) and Exposed to Cyclic Pressure Differentials"
ASTM E1996	"Standard Specification for Performance of Exterior Windows, Curtain Walls, Doors and Impact Protective Systems Impacted by Windborne Debris in Hurricanes"
(TAS) 201	"Impact Test Procedures"*
(TAS) 202	"Standard Test Method for Structural Performance of Exterior Windows, Doors, Skylights and Curtain Walls by Uniform Static Air Pressure Difference"
(TAS) 203	"Criteria for Testing Products Subject to Cyclic Wind Pressure Loading"**

\* Published in the "Florida Building Code"

Any retrofit or other field modification to a fire rated opening can potentially impact the fire rating of the opening, and Sargent Manufacturing Company makes no representations or warranties concerning what such impact may be in any specific situation. When retrofitting any portion of an existing fire rated opening, or specifying and installing a new fire-rated opening, please consult with a code specialist or local code official (Authority Having Jurisdiction) to ensure compliance with all applicable codes and ratings.

#### UL Certification Directory: ZHLL.R21744 – Products for Use in Windstorm-rated Assemblies

Certifications to meet assembly requirements are done in conjunction with doors from ASSA ABLOY Group companies CECO DOOR and CURRIES.

ASTM E330	"Standard Test Method for Structural Performance of Exterior Windows, Doors, Skylights and Curtain Walls by Uniform Static Air Pressure Difference"
ANSI/ASTM E1886	"Standard Test Method for Performance of Exterior Windows, Curtain Walls, Doors, and Impact Protective Systems Impacted by Missile(s) and Exposed to Cyclic Pressure Differentials"
ASTM E1996	"Standard Specification for Performance of Exterior Windows, Curtain Walls, Doors and Impact Protective Systems Impacted by Windborne Debris in Hurricanes"
AAMA/WDMA/CSA 101/I.S.2/A440	"Standard/Specification for Windows, Doors, and Unit Skylights"
FEMA Publication 320 (2021)	"Taking Shelter From the Storm: Building a Safe Room for Your Home or Small Business", investigated with respect to impact and pressure requirements only.
FEMA Publication 361 (2021)	"Design and Construction Guidance for Community Safe Rooms", investigated with respect to impact and pressure requirements only.
ICC 500 (2014/2020)	"ICC/NSSA Standard for the Design and Construction of Storm Shelters", investigated with respect to impact and pressure testing. Minimum missile impact speeds vary with the design wind speed desired for a particular product. The information below correlates design wind speed to the minimum missile speeds as discussed in Table 305.1.1 of ICC 500

Any retrofit or other field modification to a fire rated opening can potentially impact the fire rating of the opening, and Sargent Manufacturing Company makes no representations or warranties concerning what such impact may be in any specific situation. When retrofitting any portion of an existing fire rated opening, or specifying and installing a new fire-rated opening, please consult with a code specialist or local code official (Authority Having Jurisdiction) to ensure compliance with all applicable codes and ratings.

# 8888/8810 Multi-Function Rim Exit Device and Trims

80 Series

**SARGENT**  
**ASSA ABLOY**



## 8888/8810 Multi-Function exit device and trim

- Device & trim sold separately; easy to mix and match
- Designed for standard width stile applications on wood and metal doors
- 7 functions available as determined by the trim function
- 3 trim designs available:
  - 700 ET Controls
  - 88 Lever & Rose trim
  - Pull trims
- Single and double door applications with a mullion

## Specifications

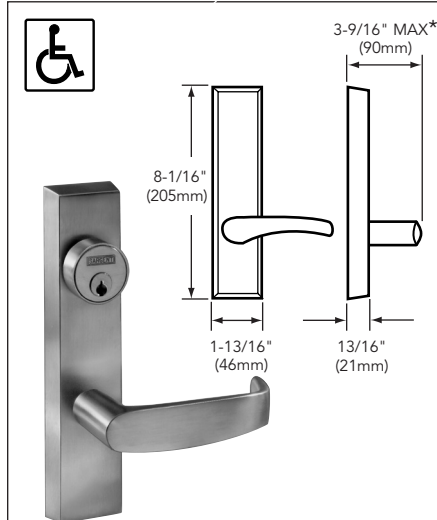
Door Type	Wood or metal Doors
Door Thickness	1-3/4" (44mm) minimum thickness. For doors over 1-3/4" to 2-1/4" thick, specify thickness and order as 31-
Stile	4-1/2" (114mm) minimum stile width
Mounting	Supplied standard with wood and machine screws Available with through-bolts and mortise nuts
Chassis Cover	Cold drawn stainless steel, brass or bronze with ANSI/BHMA Finishes
Chassis	Nonferrous alloy (Panic) Ferrous alloy (Fire Rated)
Rails	Roll Formed Stainless Steel, Brass or Bronze with ANSI/BHMA Finishes
Hand	Non-handed
Dogging Feature (Non 12- only)	Hex key dogging standard on non fired rated devices; specify 16- for cylinder dogging (#41 cylinder supplied)
Latchbolt	Stainless steel, 3/4" (19mm) throw
Strike	649 Strike supplied standard for panic & fire rated openings
Fire Exit Hardware	See chart - Page 6

### The 8888/8810 Rim Exit Device

- ANSI/BHMA A156.3 - Grade 1
- UL10C (Fire) and UL305 (Panic) Listed
- Device is non-handed
- ANSI/BHMA architectural finishes
- Four standard sizes available

To Order: Specify options, 8888 or 8810, Rail Size and Finish  
Example: 12-19-8888F x 32D

### 700 Series ET Control



The 700 Series ET Control is sold separately from the exit device and can be used with 8888 & 8810 Exit Device. The trim is non handed and is through-bolted to the chassis for greater security and durability. Available in 7 functions and SARGENT Studio, Coastal and standard lever designs to accommodate most requirements.


- ANSI/BHMA Finishes
- Easy operating lever handle allows convenient one hand operation
- ET trim is not available in 32 or 32D
- Stainless steel levers are available

### Rail Chart

- Rails are available in 4 sizes, use door width to determine size needed.
- Rails will be factory cut to size if door width is supplied or can be cut in the field

Stock Size	Door Widths	Remarks
E	24" to 32" (61cm to 81cm)	No cutting required for 32" (81cm) door
F	33" to 36" (84cm to 91cm)	No cutting required for 36" (91cm) door
J	37" to 42" (94cm to 107cm)	No cutting required for 42" (107cm) door
G	43' to 48" (110cm to 122cm)	No cutting required for 48" (122cm) door

### 88 Lever and Rose Trim



LB  
ROSE: L  
LEVER: B



- The 88 Lever and Rose Trim is sold separately from the exit device and can be used with 8888 & 8810 Exit Device.
- The trim is non handed and is through-bolted to the chassis for greater security and durability. Available in 4 functions and 4 lever designs to accommodate most requirements.

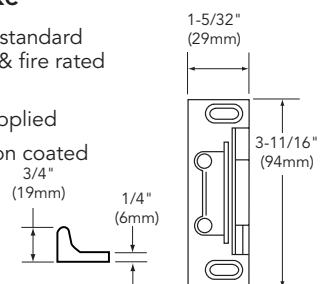
### 688 Trim Retrofit Kit



- 688 Trim Retrofit kit allows an 8810/8888 rim exit with an ET to replace Von Duprin's 98/99 series exit with trim with minimal door prep.
- Order as: 688 Kit

### 649 Strike

- Supplied standard for panic & fire rated openings
- Surface applied
- Black nylon coated



Copyright © 1998-2025, SARGENT Manufacturing Company. All rights reserved. Reproduction in whole or in part without the express written permission of SARGENT Manufacturing Company is prohibited. Patent pending and/or patent www.assaabloydss.com/patents.

07/25 90641



# 8888/8810 Multi-Function Rim Exit Device and Trims

## 80 Series



### How to order 8888/8810 Multi-Function Exit Devices:

Specify the following:

Options	Series	Rail	Finish
16-	8888 or 8810	F	32D

- All trims and functions listed on this page, work with 8888 & 8810 Exit Devices
- Available options listed at the right
- 8888 & 8810 are identical products and are non-handed
- Exit devices are not available in 14, 15, 26 and 26D finishes

### How to order trim for 8888 & 8810 Exit Devices:

Specify the following:

Options	Trim Designation	Hand	Finish
10-	713-8 ET_*	RHR	26D
10-	88-CL_*	Non-Handed	10B
60-	814-MSL	RHR	04

\*Specify lever design  
Available Options listed at the right

### 700 Series ET Trim



SARGENT Function Numbers	ANSI Function Numbers	Description & Cylinder Info (1-3/4" Door)	Trim Designations
04	03	Night Latch Key Retracts Latch #34 Cylinder Supplied	704 ET_ x Hand & Finish
10	02	No outside operation (No Cylinder) ET Control is used as Pull Only	710 ET_ x Hand & Finish
13	08	Key Outside Unlocks/Locks Trim #41 Cylinder Supplied	713-8 ET_ x Hand & Finish
15	14	Passage Only (No cylinder)	715-8 ET_ x Hand & Finish
40	02	Freewheeling Trim - No outside operation (No Cylinder) Dummy Trim	740 ET_ x Hand & Finish
43	08	Freewheeling Trim - Key Outside Unlocks/Locks Trim #41 Cylinder Supplied	743-8 ET_ x Hand & Finish
44	03	Freewheeling Trim - Key Retracts Latch #34 Cylinder Supplied	744 ET_ x Hand & Finish

Note: ET trim is not available in 32 (629) or 32D (630)

### 700 Series ET Controls

To order: Specify options followed by trim designation, lever design, hand and finish (as shown to the right).  
Example: 11-SG-713-8 x RHR x 10B

### Freewheeling Trim

The lever rotates when the door is locked preventing excessive force from being applied to the horizontal lever

### 88 Lever and Rose Trim

To order: Specify options followed by trim designation, lever design and finish (as shown to the right).  
Example: 10-SG-88-CLP x 26D



ANSI Function Numbers	Description	Trim Designations
03	Key Retracts Latch Cylinder Supplied	88-KL_ x Finish
02	No outside Operation (No Cylinder) Dummy Trim	88-DL_ x Finish
08	Key Outside Unlocks/locks Trim Cylinder Supplied	88-CL_ x Finish
14	Passage Only (No cylinder)	88-LL_ x Finish

Lever Designs available for 88 Lever & Rose Trim are L, B, J & P

Note: For 88 Lever & Rose trim, the 1st letter is the function, the 2nd is the "L" Rose Design & the 3rd is the lever design specified

### Keyed & Non Keyed Pull Trim for 8888 & 8810 Devices

Use the six digit designation (Ex "866-MAL") when ordering trim without an Exit Device, always specify options, designation, finish & hand

Example: 10-SG-814-FSW x 04 x RHR

SARGENT Function #'s	ANSI	Description & Cylinder Info. (1-3/4" Door)	Trim Designations				
04	03	Key Retracts Latch #34 Cylinder Supplied	814-FSL*	814-FSW*	814-MSL*	814-PSB*	814-ST5
10	02	No O/S Operation or Cylinder (Pull Only)	810-FLL	810-FLW	810-MAL	810-PTB	810-ST5

Note: 88 Lever & Rose trim & ET's are not available in 32(629) or 32D(630)

\* FSL, FSW, MSL and PSB trims are used with (HC-& 12-) 8888 and 8804 only and are the same as FLL, FLW, MAL and PTB pulls, except for cylinder hole located 3/8" (9mm) lower

Note: Pulls and thumb piece trims are not available in 14, 15, 26 or 26D

Experience a safer  
and more open world

Options	
Exit	Trim
12-	10-
*16-	11-
19-	11-70-
43-	11-72-7P-
5CH-	11-73-7P-
GL-	21-
CPC-	60-
LC-	63-
LD-	64-
PL-	+70-
	+72-
	+73-
	+73-7P-
	+65-73-
	+65-73-7P-
	BR-
	LC-
	SC-
	SE-
	++ SF-
	*** SG-

\* Supplied with standard 41 cylinder, for cylinder options, see trim options

\*\* Only available with 15, 26D and 32D finishes

+ Single crossed options are not available with 88 Lever & Rose Trim with J Lever

++ Double Cross options are only available with 88 Lever & Rose Trim

### Available Finishes

SARGENT Finishes	BHMA Finishes
03	605
04	606
09	611
10	612
10B	613
10BE	613E
10BL	613L
14	618
15	619
20D	624
26	625
26D	626
32	629
32D	630
BSP	—
WSP	—

Copyright © 1998-2025, SARGENT Manufacturing Company. All rights reserved. Reproduction in whole or in part without the express written permission of SARGENT Manufacturing Company is prohibited. Patent pending and/or patent www.assaabloydss.com/patents.

07/25

90641

# 8800 Rim Exit Device

80 Series

**SARGENT**  
**ASSA ABLOY**

## 8800 Series Rim Exit Device



### 8800 Features

- Designed for standard width stile applications on wood and metal doors
- Also available as an HC8800 or WS8800 for hurricane-resistant applications, see Hurricane-Resistant section of this catalog
- Single point rim latching device
- Single door & double door applications with mullions
- Quiet operation and solid security
- ANSI/BHMA A156.3 - Grade 1
- UL10C (Fire) and UL305 (Panic) Listed

### Specifications 8800 Series Rim Exit Device

Door Type	Metal Doors
Door Thickness	1-3/4" (44mm) minimum thickness. For doors over 1-3/4" to 5" thick, specify thickness and order as 31- (see page 67 for function limitation)
Stile	4-1/2" (114mm) minimum stile width
Rail sizes as determined by door width	Rails are available in 4 sizes, use door width to determine size needed. Rails will be factory cut to size, if door width is supplied. <ul style="list-style-type: none"> <li>• E Rail for 24" to 32" door widths, No cutting required for 32" door</li> <li>• F Rail for 33" to 36" door widths, No cutting required for 36" door</li> <li>• J Rail for 37" to 42" door widths, No cutting required for 42" door</li> <li>• G Rail for 43" to 48" door widths, No cutting required for 48" door</li> </ul>
Strike	649 Standard Black Nylon Coated
Optional Strikes	642, 644 and 613
Dogging Feature	Hex key dogging standard on non fired rated devices; specify 16- for cylinder dogging (#41 cylinder supplied)
Electric Options	AL- Alarm 53- LX Latchbolt Monitor 54- Outside Lever Monitoring 55- Request-to-Exit Signal - Rail Monitoring 56- Remote Latch Retraction 58- Electric Dogging 59- Electrogard – Self Contained Delayed Egress
Weather Resistant	WH- Weep Holes (Available only with Clear Coated Finishes. See Chart - Page 77)
Mounting Fasteners	Supplied standard with wood and machine screws Available with through-bolts and mortise (sex) nuts
Latch Bolt	Stainless steel, 3/4" (19mm) throw
Device Centerline from Finished Floor	41" (1041 mm) for Standard Applications
Center Case Dimensions	8-3/8" (213mm) x 2-5/8" (67mm)
Projection	Pushbar Neutral – 3" (76 mm) Pushbar Depressed – 2-1/8" (54 mm)
Fire Exit Hardware	See Chart – Page 6

### 49- Lock/Unlock Indicator Option



- Displays whether the door has been secured by the inside cylinder.
- Red icon indicates locked
- White icon indicates unlocked
- Dogging overrides 49- functionality (must order less dogging)
- Available on 8816 and 8866 functions only

### 649 Strike



- Supplied standard for panic & fire rated openings
- Surface applied
- Black nylon coated

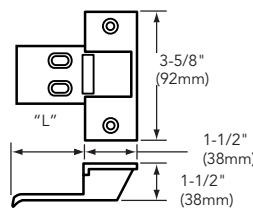
### 688 Trim Retrofit Kit



- 688 Trim Retrofit kit allows an 8800\* Series rim exit with an ET to replace Von Duprin's 98/99 Series exit with trim with minimal door prep.
- \* Except for 16 function
- Order as: 688 Kit

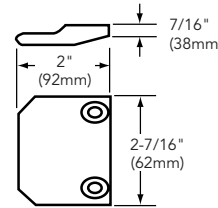
### Alternate Strikes For 8800 Rim Devices

#### 642 Strike



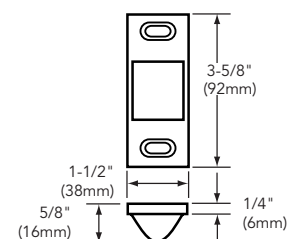
- Mortised. Dimension "L" equals door thickness plus 1/2" (13mm). Black nylon coated on lip only

#### 644 Strike



- Surface applied. For use on pairs of doors without mullion. Ductile Iron. Black nylon coated

#### 613 Strike



- Half mortised. Black nylon coated

Experience a safer and more open world

Copyright © 1998-2025, SARGENT Manufacturing Company. All rights reserved. Reproduction in whole or in part without the express written permission of SARGENT Manufacturing Company is prohibited. Patent pending and/or patent www.assaabloydss.com/patents.

90641 07/25

# 8800 Functions and Trims

## 80 Series

Options	Series	Function	Rail Lgth	Trim	Hand	Outside Finish	Inside Finish	Door Width	Options
F1-83-56	88	13	F	ETL	RHR	26D	32D	36"	8800
<b>700 Series ET Trim</b>									
Exits with ET Trim, specify lever design after the ET designation (e.g., ETL)									
<b>Lever Designs for ET Controls</b>									
A, B, E, F, J, L, P, W									
Also available with Coastal Series & Studio Collection Levers									
<b>ET Designation with Suffix (Used to order ET without device)</b>									
8800 Series: 704, 706-8, 710, 713-8, 715-8, 716, 740, 743-8, 744, 746-8, 773-8, 774-8, 775-8 & 776-8									
<b>Freewheeling Trim</b>									
The lever rotates when the door is locked preventing excessive force from being applied to the horizontal lever									
<b>Electrified ET Trim</b>									
Voltage must be specified for the following functions: 73, 74, 75 and 76. Specify: 12VDC or 24VDC									
<b>SARGENT Function Numbers</b>		<b>ANSI Function Numbers</b>		<b>Description &amp; Cylinder Info (1-3/4" Door)</b>			<b>ANSI Type 1 8800 Panic &amp; Fire</b>		<b>Options 8800</b>
04	03	Night Latch Key Retracts Latch #34 Cylinder Supplied			8804 x ET_		<b>Mechanical Options:</b> 12- 16- 19- 31- 36- 37- 43- 53- 54- 55- 56- 56-HK- 58- 59- 5CH- BC-59- 76- 85- 86- 87- AL- BT- CPC- GL- LD- PL- PL- ** SG- TB- TL- WH- <b>Cylinder Options:</b> 10- 10-21- 10-63- 11- 11-21- 11-60- 11-63- 11-64- 11-70-7P- 11-72-7P- 11-73-7P- 11-65-73-7P- 21- 51- 52- 60- 63- 64- 70- 72- 73- 65-73- 65-73-7P- 73-7P- 81- 82- 82- F1-82- 83- F1-83- 84- BR- LC- *SC- *SE-		
06	09	Key unlocks Trim, Trim retracts latch/ Trim relocks when key is removed #41 Cylinder Supplied			8806 x ET_				
10	01	No outside operation (No Cylinder)			8810				
10	02	No outside operation (No Cylinder) ET Control is used as Pull Only			8810 x ET_				
13	08	Key Outside Unlocks/locks Trim #41 Cylinder Supplied			8813 x ET_				
15	14	Passage Only (No cylinder)			8815 x ET_				
16	10	Key Outside Retracts Latch; Key Inside Unlocks/Locks O/S Trim O/S #34 Cylinder & I/S #44 Cylinder Supplied			8816 x ET_				
40	02	Freewheeling Trim - No outside operation (No Cylinder) Dummy Trim			8840 x ET_				
43	08	Freewheeling Trim - Key Outside Unlocks/locks Trim #41 Cylinder Supplied			8843 x ET_				
44	03	Freewheeling Trim - Key Retracts Latch #34 Cylinder Supplied			8844 x ET_				
46	09	Freewheeling Trim - Key unlocks Trim, Trim retracts latch/ Trim relocks when key is removed #41 Cylinder Supplied			8846 x ET_				
73		Electrified ET Trim - Fail Safe Power Off, Unlocks Lever (No Cylinder)			8873 x ET_				
74		Electrified ET Trim - Fail Secure Power Off, Locks Lever (No Cylinder)			8874 x ET_				
75		Electrified ET Trim - Fail Safe Power Off, Unlocks Lever, Key Retracts Latch #34 Cylinder Supplied			8875 x ET_				
76		Electrified ET Trim - Fail Secure Power Off, Locks Lever, Key Retracts Latch #34 Cylinder Supplied			8876 x ET_				







**Note:** Exit devices are available in all standard finishes, except 14, 15, 26 & 26D. With these finishes, exit devices are supplied in 32 or 32D to match accordingly. 32 or 32D is automatically supplied when 26 or 26D is specified. For nickel finishes, specify 14/32 or 15/32D to receive nickel finished trims and stainless exit devices

### Pull & Thumbpiece Trim Section

### Trim Designations

- Use three letter designations (Ex "PTB") when ordering the Exit Device with trim
- Use the six digit designation (Ex "866-MAL") when ordering trim without an Exit Device, always specify finish

### Series

SARGENT Function Numbers	ANSI Function Numbers	Description & Cylinder Info. (1-3/4" Door)							8800 Panic & Fire
04	03	Night Latch Key Retracts Latch #34 Cylinder Supplied	814-FSL*	814-FSW*	814-MSL*	814-PSB*	814-STC	862 Pull	8804 x Trim Designation
10	02	No O/S Operation or Cylinder (Pull Only)	810-FLL	810-FLW	810-MAL	810-PTB	810-STC	862 Pull	8810 x Trim Designation
28	15	Passage Only (No cylinder)	828-FLL	828-FLW	828-MAL	828-PTB	828-STC	N/A	8828 x Trim Designation
63	05	Key Outside Unlocks/ Locks Thumbpiece #34 Cylinder Supplied	866-FLL	866-FLW	866-MAL	866-PTB	866-STC	N/A	8863 x Trim Designation
66	07	Key Outside Retracts Latch; Key Inside Unlocks/Locks O/S Trim O/S #34 & I/S #44	866-FLL	866-FLW	866-MAL	866-PTB	866-STC	N/A	8866 x Trim Designation

\* FSL, FSW, MSL and PSB trims are used with (HC-& 12-) 8888 and 8804 only and are the same as FLL, FLW, MAL and PTB pulls except for cylinder hole located 3/8" (9mm) lower.

**Note:** Thumbpiece trims for 63 and 66 function devices are identical and are identified as 66 function when trim is ordered separately.

**Note:** FLW & FSW trims are not available in 32(629) or 32D(630).

**Note:** Pulls and thumb piece trims are not available in 14, 15, 26 or 26D.

Experience a safer  
and more open world

# 8900 Mortise Lock Exit Device



**SARGENT**  
**ASSA ABLOY**

80 Series

## 8900 Series Mortise Lock Exit Device



### 8900 Features

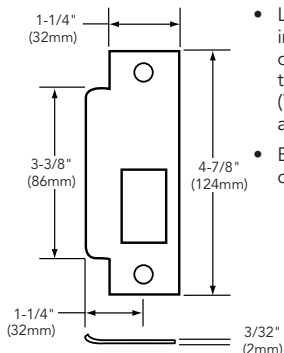
- Designed for standard width stile applications on wood and metal doors
- Concealed single point guarded latching for additional security
- Also available as a WS8900 for additional certifications and listings, see Hurricane-Resistant section of this catalog
- Single door applications
- Double door applications with Vertical Rod
- ANSI/BHMA A156.3 - Grade 1
- UL10C (Fire) and UL305 (Panic) Listed

### Specifications for 8900 Mortise Lock Exit

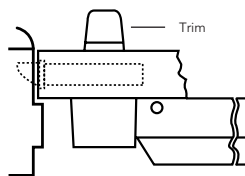
Door Type	Metal Doors
Door Thickness	1-3/4" (44mm) minimum thickness. For doors over 1-3/4" to 2 1/4" thick, specify thickness and order as 31-
Stile	4-1/2" (114mm) minimum stile width
Rail sizes as determined by door width	Rails are available in 4 sizes, use door width to determine size needed. Rails will be factory cut to size, if door width is supplied <ul style="list-style-type: none"> <li>• E Rail for 24" to 32" door widths, No cutting required for 32" door</li> <li>• F Rail for 33" to 36" door widths, No cutting required for 36" door</li> <li>• J Rail for 37" to 42" door widths, No cutting required for 42" door</li> <li>• G Rail for 43" to 48" door widths, No cutting required for 48" door</li> </ul>
Strike	C908 Standard Black Nylon Coated – ANSI Prep A115.1 Optional Strikes – 815 Open Back Strike or 908 Flat Lipped Strike with Black Nylon
Dogging Feature	Hex key dogging standard on non fired rated devices; specify 16- for cylinder dogging (#41 cylinder supplied)
Electric Options	AL- Alarm PL- SARGuide™ Photoluminescent Coated 53- LX Latchbolt Monitor 54- Outside Lever Monitoring 55- Request-to-Exit Signal - Rail Monitoring 56- Remote Latch Retraction 58- Electric Dogging 59- Electroguard – Self Contained Delayed Egress
Mounting Fasteners	Supplied standard with wood and machine screws Available with through-bolts and mortise (sex) nuts
Latch Bolt	Brass Nickel Plated, 3/4" (19mm) throw, anti-friction
Guarded/DeadLatch	Brass Nickel Plated, sliding type
Device Centerline from Finished Floor	41" (1041 mm) for Standard Applications; 38" (965mm) for elementary schools
Center Case Dimensions	8-3/8" (213mm) x 2-5/8" (67mm)
Projection	Pushbar Neutral – 3" (76mm) Pushbar Depressed – 2-1/8" (54mm)
Fire Exit Hardware	See Chart – Page 6

### C908 Standard Strike

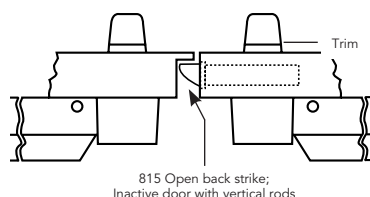
- Curved lip ANSI A-115.1
- Handed. 1-1/4" (32mm) lip standard
  - Longer lips in increments of 1/4" (6mm) through 2-7/8" (73mm) available
  - Black nylon coated



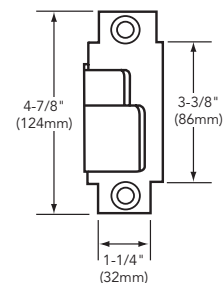
### Single Door



### Pair of Doors



### 815 Open Back Strike



- ANSI A-115.14 Open Back
- Beveled 1/8" (3mm) in 2" (51mm)
- Specify hand of active door
- Black nylon coat
- "B" label

Copyright © 1998-2025, SARGENT Manufacturing Company. All rights reserved. Reproduction in whole or in part without the express written permission of SARGENT Manufacturing Company is prohibited. Patent pending and/or patent www.assaabloydss.com/patents.

90641 07/25

**12**

1-800-727-5477 • www.sargentlock.com

Experience a safer  
and more open world

# 8900 Functions and Trims

## 80 Series



**SARGENT**  
**ASSA ABLOY**

**How to order:** Options F1-83- Series 89 Function 13 Rail Lgth F Trim ETL Hand RHR Outside Finish 26 Inside Finish 32 Door Width 36"

### 700 Series ET Trim



Exits with ET Trim, specify lever design after the ET designation (e.g., ETL)

### Lever Designs for ET Controls

A, B, E, F, J, L, P, W  
Also available with Coastal Series & Studio Collection Levers

### ET Designation with Suffix (Used to order ET without device)

8900 Series: 704, 706, 710, 713, 715, 716, 740, 743, 744, 773, 774, 775 & 776

### Freewheeling Trim

The lever rotates when the door is locked preventing excessive force from being applied to the horizontal lever

### Electrified ET Trim and Electrified Mortise Locks

Voltage must be specified for the following functions: 73, 74, 75 and 76.  
Specify: 12VDC or 24VDC

SARGENT Function Numbers	ANSI Function Numbers	Description & Cylinder Info (1-3/4" Door)	ANSI Type 3 8900 Panic & Fire
04	03	Night Latch Key Retracts Latch #46 Cylinder Supplied	8904 x ET_
06	09	Key unlocks Trim, Trim retracts Latch/ Trim relocks when key is removed #41 Cylinder Supplied	8906 x ET_
10	01	No outside operation (No Cylinder)	8910
10	02	No outside operation (No Cylinder) ET Control is used as Pull Only	8910 x ET_
13	08	Key Outside Unlocks/locks Trim #41 Cylinder Supplied	8913 x ET_
15	14	Passage Only (No cylinder)	8915 x ET_
16	10	Key Outside Retracts Latch; Key Inside Unlocks/Locks O/S Trim O/S #46 & I/S #34 Cylinder Supplied	8916 x ET_
40	02	Freewheeling Trim - No outside Operation (No Cylinder) Dummy Trim	8940 x ET_
43	08	Freewheeling Trim - Key Outside Unlocks/locks Trim #41 Cylinder Supplied	8943 x ET_
44	03	Freewheeling Trim - Key Retracts Latch For 1-3/4" Door #46 Cylinder Supplied	8944 x ET_
75*		Electrified ET Trim - Fail Safe Power Off, Unlocks Lever, Key Retracts Latch For 1-3/4" Door #46 Cylinder Supplied	8975 x ET_
76**		Electrified ET Trim - Fail Secure Power Off, Locks Lever, Key Retracts Latch For 1-3/4" Door #46 Cylinder Supplied	8976 x ET_

**Note:** Exit devices are available in all standard finishes, except 14, 15, 26 & 26D. With these finishes, exit devices are supplied in 32 or 32D to match accordingly. 32 or 32D is automatically supplied when 26 or 26D is specified. For nickel finishes, specify 14/32 or 15/32D to receive nickel finished trims and stainless exit devices  
\* 75 Function without cylinder is available as a 73 Function  
\*\* 76 Function without cylinder is available as a 74 Function

### Pull & Thumbpiece Trim Section

### Trim Designations

- Use three letter designations (Ex "PTB") when ordering the Exit Device with trim
- Use the six digit designation (Ex "866-MAL") when ordering trim without an Exit Device, always specify finish & hand

### Series



SARGENT Function Numbers	ANSI Function Numbers	Description & Cylinder Info. (1-3/4" Door)	814-FLL	814-FLW	814-MAL	814-PTB	814-STB	8900 Panic & Fire
04	03	Night Latch-Key Retracts Latch #41 Cylinder Supplied	814-FLL	814-FLW	814-MAL	814-PTB	814-STB	8904 x Trim Designation
10	02	No O/S Operation or Cylinder (Pull Only)	810-FLL	810-FLW	810-MAL	810-PTB	810-STB	8910 x Trim Designation
28	15	Passage Only (No cylinder)	828-FLL	828-FLW	828-MAL	828-PTB	828-STB	8928 x Trim Designation
63	05	Key Outside Unlocks/locks Thumbpiece #41 Cylinder Supplied	866-FLL	866-FLW	866-MAL	866-PTB	866-STB	8963 x Trim Designation
66	07	Key Outside Retracts Latch; Key Inside Unlocks/Locks Trim; O/S #34 & I/S #41 Cylinder Supplied	866-FLL	866-FLW	866-MAL	866-PTB	866-STB	8966 x Trim Designation

**Note:** Thumbpiece trims for 63 and 66 function devices are identical and are identified as 66 function when trim is ordered separately.  
**Note:** FLW trim is not available in 32(629) or 32D(630).  
**Note:** Thumbpiece trims used with 8900 mortise lock exit devices are handed.  
**Note:** Pulls and thumb piece trims are not available in 14, 15, 26 or 26D.

Experience a safer  
and more open world

1-800-727-5477 • www.sargentlock.com

Options
<b>8900</b>
<b>Mechanical Options:</b>
12-
16-
19-
23-
31-
36-
37-
43-
53-
54-
55-
56-
56-HK-
58-
59-
BC-59-
76-
85-
86-
87-
AL-
BT-
CPC-
LD-
FL-
**SG-
<b>Cylinder Options:</b>
10-
10-21-
10-63-
11-
11-21-
11-60-
11-63-
11-64-
11-70-7P-
11-72-7P-
11-73-7P-
11-65-73-7P-
21-
51-
52-
60-
63-
64-
70-
72-
73-
65-73-
65-73-7P-
73-7P-
81-
82-
F1-82-
83-
F1-83-
84-
BR-
LC-
*SC-
*SE-

\* Options are not available with the following functions: 04 x ET, 16, 44, 75 & 76  
\*\* Only available with 15, 26D and 32D finishes

### Available Finishes

SARGENT Finishes	BHMA Finishes
03	605
04	606
09	611
10	612
10B	613
10BE	613E
10BL	613L
14	618
15	619
20D	624
26	625
26D	626
32	629
32D	630
BSP	—
WSP	—

Copyright © 1998-2025, SARGENT Manufacturing Company. All rights reserved. Reproduction in whole or in part without the express written permission of SARGENT Manufacturing Company is prohibited. Patent pending and/or patent www.assaabloydss.com/patents.

07/25

90641

# 8700 Surface Vertical Rod Exit Device

80 Series

**SARGENT**  
**ASSA ABLOY**



## 8700 Series Surface Vertical Rod Exit Device

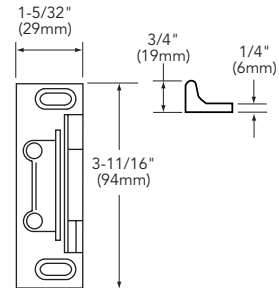
### Features

- Two point latching (top & bottom with adjustability through center case)
- Standard bottom latch compatible with latch track thresholds (by others)
- Single and double door applications
- ANSI/BHMA A156.3 - Grade 1
- UL10C (Fire) and UL305 (Panic) Listed
- Also available as HC8700 for hurricane-resistant applications, see Hurricane-Resistant section of this catalog
- Also available as FM8700, use with StormPro Series doors, frames and hinges is required when used as a certified tornado solution. For tornado-resistant applications, see Tornado-Resistant section of this catalog
- Rods are 1/2" (13mm) brass, bronze or stainless steel

**Note:** The 8700 Exit Device can not be used less bottom rod. If less bottom rod is desired, specify NB8700 Series Exit Device

### 646 Top Strike

- Standard for both Panic & Fire (12-) Hardware
- Surface applied to frame
- Black nylon coated
- Replaces 629 Strike

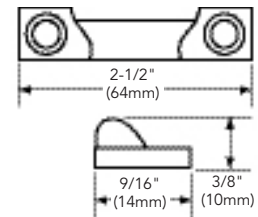


### Specifications for 8700 Series Exit

Door Type	Wood or metal doors
Door Thickness	1-3/4" (44mm) minimum thickness. For doors over 1-3/4" to 5" thick, specify thickness and order as 31- (see page 67 for function limitation)
Stile	4-1/2" (114mm) minimum stile width with trim and 3-1/2" (44mm) minimum stile without trim
Rail sizes as determined by door width	Rails are available in 4 sizes, use door width to determine size needed. Rails will be factory cut to size, if door width is supplied <ul style="list-style-type: none"> <li>• E Rail for 24" to 32" door widths, No cutting required for 32" door</li> <li>• F Rail for 33" to 36" door widths, No cutting required for 36" door</li> <li>• J Rail for 37" to 42" door widths, No cutting required for 42" door</li> <li>• G Rail for 43" to 48" door widths, No cutting required for 48" door</li> </ul>
Strike	646 Top Strike (Panic and Fire Rated) 624 Bottom Strike; 655 Fire Rated Bottom Strike
Dogging Feature	Hex key dogging standard on non fired rated devices; specify 16- for cylinder dogging (#41 cylinder supplied)
Electric Options	AL- Alarm PL- SARGuide™ Photoluminescent Coated 53- LX Latchbolt Monitor 54- Outside Lever Monitoring 55- Request-to-Exit Signal - Rail Monitoring 56- ELR Remote Latch Retraction 58- Electric Dogging 59- Electroguard – Self Contained Delayed Egress
Mounting Fasteners	Supplied standard with wood and machine screws Available with through-bolts and mortise (sex) nuts
Top & Bottom Bolt	Brass, Stainless steel
Device Centerline from	41" (1041 mm) for Standard Applications; 38" (965mm) for elementary schools
Door/Opening Height	<b>Must be specified</b> - 120" (3048mm) Max Door Opening - Non-fire rated doors 96" (2438mm) Max Door Opening - Fire rated doors
Center Case Dimensions	8-3/8" (213mm) x 2-5/8" (67mm)
Projection	Pushbar Neutral – 3" (76mm) Pushbar Depressed – 2-1/8" (54mm)
Fire Exit Hardware	See Chart – Page 6

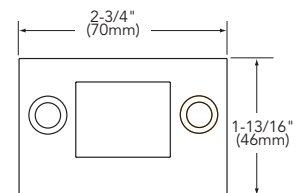
### 624 Bottom Strike

- Standard for 8700
- Applied to surface of floor or to a flat threshold
- Black nylon coated



### 655 Bottom Strike

- Standard for 12-8700 and 14-8700
- Stainless steel
- Black nylon coated
- Replaces 647 Strike



### 648 & 653 Strikes (Alternate Strikes for 8700 SVR Devices)

### Inside Lever Assembly for 300 Series Aux Control

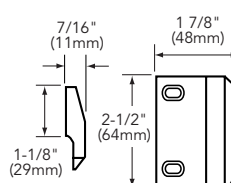


Attaches to top rod and engages with 300 Series Auxiliary Control. Packed standard with 306 and 313 Auxiliary Controls  
Part # 97-2378

**Note:** 26 or 26D is automatically supplied when 32 or 32D is specified.

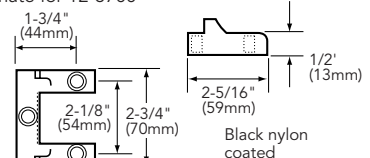
### 648 Strike

For doors having transom panel applications  
Black nylon coated



### 653 Strike

Alternate for 12-8700



Experience a safer and more open world

# 8700 Functions and Trims

## 80 Series

### How to order:

Options	Series	Function	Rail Lgth	Trim	Hand	Outside Finish	Inside Finish	Door Width	Door Height	AFF
F1-83-	87	13	F	ETL	RHR	32D	10B	36"	84"	41"

### 700 Series ET Trim



Exits with ET Trim, specify lever design after the ET designation (e.g., ETL)

### Lever Designs for ET Controls

A, B, E, F, J, L, P, W  
Also available with Coastal Series & Studio Collection Levers

### ET Designation with Suffix (Used to order ET without device)

8700 Series: 706, 710, 713, 715, 740, 743, 744, 746, 773 & 774

### Freewheeling Trim

The lever rotates when the door is locked preventing excessive force from being applied to the horizontal lever.

### Electrified ET Trim

Voltage must be specified for the following functions: 73 and 74.  
Specify: 12VDC or 24VDC

SARGENT Function Numbers	ANSI Function Numbers	Description & Cylinder Info. (1-3/4" Door)	ANSI Type 2 8700 Panic & Fire
06	09	Key unlocks Trim, Trim retracts latch/ Trim relocks when key is removed #41 Cylinder Supplied	8706 x ET_
10	01	No outside operation (No Cylinder)*	8710
10	02	No outside operation (No Cylinder)* ET Control is used as Pull Only	8710 x ET_
13	08	Key Outside Unlocks/locks Trim #41 Cylinder Supplied	8713 x ET_
15	14	Passage Only (No cylinder)	8715 x ET_
40	02	Freewheeling Trim - No outside Operation (No Cylinder)* Dummy Trim	8740 x ET_
43	08	Freewheeling Trim - Key Outside Unlocks/locks Trim #41 Cylinder Supplied	8743 x ET_
46	09	Freewheeling Trim - Key unlocks Trim, Trim retracts latch/ relocks when key is removed #41 Cylinder Supplied	8746 x ET_
73		Electrified ET Trim - Fail Safe Power Off, Unlocks Lever (No Cylinder)*	8773 x ET_
74		Electrified ET Trim - Fail Secure Power Off, Locks Lever (No Cylinder)*	8774 x ET_

**Note:** Exit devices are available in all standard finishes, except 14, 15, 26 & 26D. With these finishes, exit devices are supplied in 32 or 32D to match accordingly. 32 or 32D is automatically supplied when 26 or 26D is specified. For nickel finishes, specify 14/32 or 15/32D to receive nickel finished trims and stainless exit devices.

**Note:** AFF means Above Finished Floor, center line of rail Above Finished Floor  
\* Cylinder Override is available with a 306 Aux Control

Example Order: 8773F 12V x ETMG x 306 x RHR x 32D x 36" w x 84" h

### 300 Series++ Auxiliary Control & 862 Pull



300 Series  
Aux. Control



862 Pull

SARGENT Function Numbers	ANSI Function Numbers	Description & Cylinder Info. (1-3/4" Door)	8700 Panic & Fire
06	12	Key unlocks Turn; Turn retracts latch/ Turn relocks when key is removed #41 Cylinder Supplied	8710 x 306
10	02	862 Pull Only (Optional Pulls: 863 & 864)	8710 x 862
13	11	Key Outside Unlocks/locks Turn #41 Cylinder Supplied	8710 x 313

### Notes:

300 Series Auxiliary Control are not compatible with 59- option.

When ordering 8700 Series Exit Device x 300 Series Aux. Control, specify 10 Function for the exit. Example: 8710F x 306 x RHR x 32D x 42" x 90"

++ Note: Exit Devices must be mounted 38" AFF when used with Auxiliary Controls to meet ICC/ANSI A117.1-2003 Accessible and Usable and Facilities Code

### Pull & Thumbpiece Trim Section

### Trim Designations

- Use three letter designations (Ex "PTB") when ordering the Exit Device with trim
- Use the six digit designation (Ex "866-MAL") when ordering trim without an Exit Device, always specify finish

SARGENT Function Numbers	ANSI Function Numbers	Description & Cylinder Info. (1-3/4" Door)	810-FLL	810-FLW	810-MAL	810-PTB	810-ST5	8700 Panic & Fire
10	02	Pull Only (No Cylinder)*	810-FLL	810-FLW	810-MAL	810-PTB	810-ST5	8710 x Trim Designation
28	15	Passage Only (No cylinder)	828-FLL	828-FLW	828-MAL	828-PTB	828-ST5	8728 x Trim Designation
62	06	Key unlocks Thumbpiece, Thumbpiece retracts latch/ Thumbpiece relocks when key is removed #34 Cylinder Supplied	866-FLL	866-FLW	866-MAL	866-PTB	866-ST5	8762 x Trim Designation
63	05	Key Outside Unlocks/locks Thumbpiece #34 Cylinder Supplied	866-FLL	866-FLW	866-MAL	866-PTB	866-ST5	8763 x Trim Designation

\* Cylinder Override is available with a 306 Aux Control.

**Note:** Thumbpiece trims for 62 and 63 function devices are identical and are identified as 66 function when trim is ordered separately.

**Note:** FLW trim is not available in 32(629) or 32D(630).

**Note:** Pulls and thumb piece trims are not available in 14, 15, 26 or 26D.

Experience a safer  
and more open world

### Options 8700

#### Mechanical Options:

- 12-
- 14-
- 16-
- 19-
- 31-
- 36-
- 37-
- 43-
- 53-
- 54-
- 55-
- 56-
- 56-HK-
- 58-
- 59-
- BC-59-
- 76-
- 85-
- 86-
- 87-
- SCH-
- AL-
- BT-
- CPC-
- LD-
- PL-
- \*SG-
- TB-

#### Cylinder Options:

- 10-
- 10-21-
- 10-63-
- 11-
- 11-21-
- 11-60-
- 11-63-
- 11-64-
- 11-70-7P-
- 11-72-7P-
- 11-73-7P-
- 11-65-73-7P-
- 21-
- 51-
- 52-
- 60-
- 63-
- 64-
- 70-
- 72-
- 73-
- 65-73-
- 65-73-7P-
- 73-7P-
- 81-
- 82-
- F1-82-
- 83-
- F1-83-
- 84-
- BR-
- LC-
- SC-
- SE-

\* Only available with 15, 26D and 32D finishes

### Available Finishes

SARGENT Finishes	BHMA Finishes
03	605
04	606
09	611
10	612
10B	613
10BE	613E
10BL	613L
14	618
15	619
20D	624
26	625
26D	626
32	629
32D	630
BSP	—
WSP	—

# NB-8700 Top Latch Surface Vertical Rod Exit Device

80 Series

**SARGENT**  
**ASSA ABLOY**



## Features

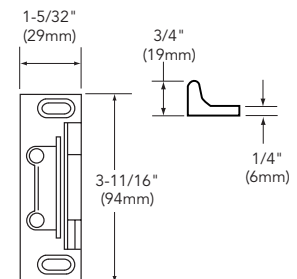
- Single point top latching
- Top latchbolt projection adjustable through center case
- ANSI/BHMA A156.3 - Grade 1
- UL10C (Fire) and UL305 (Panic) Listed
- Tripping potential removed - no bottom strike
- Rods are 1/2" (13mm) brass, bronze or stainless steel

## Specifications for NB-8700 Series Exit

Door Type	Wood or metal doors
Door Thickness	1-3/4" (44mm) minimum thickness. For doors over 1-3/4" to 5" thick, specify thickness and order as 31- (see page 67 for function limitation)
Stile	4-1/2" (114mm) minimum stile with trim and 3-1/2" (44mm) minimum stile without trim
Rail sizes as determined by door width	Rails are available in 4 sizes, use door width to determine size needed. Rails will be factory cut to size, if door width is supplied <ul style="list-style-type: none"> <li>• E Rail for 24" to 32" door widths, No cutting required for 32" door</li> <li>• F Rail for 33" to 36" door widths, No cutting required for 36" door</li> <li>• J Rail for 37" to 42" door widths, No cutting required for 42" door</li> <li>• G Rail for 43" to 48" door widths, No cutting required for 48" door</li> </ul>
Strike	646 Top Strike (Panic and Fire Rated)
Dogging Feature	Hex key dogging standard on non fired rated devices; specify 16- for cylinder dogging (#41 cylinder supplied)
Electric Options	AL- Alarm PL- SARGuide Photoluminescent Coated 53- LX Latchbolt Monitor 54- Outside Lever Monitoring 55- Request-to-Exit Signal - Rail Monitoring 56- Remote Latch Retraction 58- Electric Dogging 59- Delayed Egress
Mounting Fasteners	Supplied standard with wood and machine screws Available with through-bolts and mortise (sex) nuts
Top Bolt	Stainless steel
Device Centerline from Finished Floor	41" (1041mm) for Standard Applications
Door/Opening Height	<b>Must be specified</b> - 120" (3048mm) Max Door Opening
Center Case Dimensions	8-3/8" (213mm) x 2-5/8" (67mm)
Projection	Pushbar Neutral - 3" (76 mm) Pushbar Depressed - 2-1/8" (54 mm)
Fire Exit Hardware	See Chart - Page 6

## 646 Top Strike

- Standard for both Panic & Fire (12-) Hardware
- Surface applied
- Fire Rated
- Black nylon coated





# NB-8700 Functions and Trims

## 80 Series

**How to order:** Options 12- Series NB-87 Function 13 Rail Lgth F Trim ETL Hand RHR Outside Finish 26D Inside Finish 32D Door Width 36" Door Height 84" AFF 41"

### 700 Series ET Trim



Exits with ET Trim, specify lever design after the ET designation (e.g., ETL)

### Lever Designs for ET Controls

A, B, E, F, J, L, P, W  
Also available with Coastal Series & Studio Collection Levers

### ET Designation with Suffix (Used to order ET without device)

NB-8700 Series: 706, 710, 713, 715, 740, 743, 744, 746, 773 & 774

### Freewheeling Trim

The lever rotates when the door is locked preventing excessive force from being applied to the horizontal lever

### Electrified ET Trim

Voltage must be specified for the following functions: 73 and 74.  
Specify: 12VDC or 24VDC

### 300 Series++ Auxiliary Control & 862 Pull



300 Series  
Aux. Control



862 Pull

SARGENT Function Numbers	ANSI Function Numbers	Description & Cylinder Info (1-3/4" Door)	ANSI Type 2 NB-8700 (Panic & Fire)
06	09	Key unlocks Trim. Trim retracts latch. Trim relocks when key is removed. #41 Cylinder Supplied.	NB-8706 x ET_
10	01	No outside operation (No Cylinder)	NB-8710
10	02	No outside operation (No Cylinder) ET Control is used as Pull Only	NB-8710 x ET_
13	08	Key Outside unlocks/locks trim #41 Cylinder Supplied	NB-8713 x ET_
15	14	Passage Only (No cylinder)	NB-8715 x ET_
40	02	Freewheeling Trim - No outside operation (No Cylinder) Dummy Trim	NB-8740 x ET_
43	08	Freewheeling Trim - Key Outside Unlocks/locks Trim #41 Cylinder Supplied	NB-8743 x ET_
46	09	Freewheeling Trim - Key unlocks Trim, Trim retracts latch/relocks when key is removed. #41 Cylinder Supplied/	NB-8746 x ET_
73		Electrified ET Trim - Fail Safe Power Off, Unlocks Lever (No Cylinder)*	NB-8773 x ET_
74		Electrified ET Trim - Fail Secure Power Off, Locks Lever (No Cylinder)*	NB-8774 x ET_

**Note:** Exit devices are available in all standard finishes, except 14, 15, 26 & 26D. With these finishes, exit devices are supplied in 32 or 32D to match accordingly. 32 or 32D is automatically supplied when 26 or 26D is specified. For nickel finishes, specify 14/32 or 15/32D to receive nickel finished trims and stainless exit devices

**Note:** AFF means Above Finished Floor, center line of rail Above Finished Floor

**Note:** 12-NB8700 devices require thermal pins

**Note:** 12-NB Applications require thermal pin. Thermal Pin supplied when ordered as a 12-NB Device.

\*Cylinder Override is available with a 306 Aux Control

SARGENT Function Numbers	ANSI Function Numbers	Description & Cylinder Info. (1-3/4" Door)	NB-8700 Panic & Fire
06	12	Key unlocks Turn; Turn retracts latch/ Turn relocks when key is removed #41 Cylinder Supplied	NB-8710 x 306
10	02	862 Pull Only (Optional Pulls: 863 & 864)	NB-8710 x 862
13	11	Key Outside Unlocks/locks Turn #41 Cylinder Supplied	NB-8710 x 313

**Notes:**

300 Series Auxiliary Control are not compatible with 59- option.

When ordering NB-8700 Series Exit Device x 300 Series Aux. Control, specify 10 Function for the exit. Example: NB-8710F x 306 x RHR x 32D x 42" x 90"

++ Note: Exit Devices must be mounted 38" AFF when used with Auxiliary Controls to meet ICC/ANSI A117.1-2003 Accessible and Usable and Facilities Code

### Pull & Thumbpiece Trim Section

### Trim Designations

- Use three letter designations (Ex "PTB") when ordering the Exit Device with trim
- Use the six digit designation (Ex "866-MAL") when ordering trim without an Exit Device, always specify finish

SARGENT Function Numbers	ANSI Function Numbers	Description & Cylinder Info. (1-3/4" Door)	810-FLL	810-FLW	810-MAL	810-PTB	810-STB	810-STC	NB-8700 Panic & Fire
10	02	Pull Only (No Cylinder)*	810-FLL	810-FLW	810-MAL	810-PTB	810-STB	810-STC	NB-8710 x Trim Designation
28	15	Passage Only (No cylinder)	828-FLL	828-FLW	828-MAL	828-PTB	828-STB	828-STC	NB-8728 x Trim Designation
62	06	Key unlocks Thumbpiece, Thumbpiece retracts latch/Thumbpiece relocks when key is removed #34 Cylinder Supplied	866-FLL	866-FLW	866-MAL	866-PTB	866-STB	866-STC	NB-8762 x Trim Designation
63	05	Key Outside Unlocks/locks Thumbpiece #34 Cylinder Supplied	866-FLL	866-FLW	866-MAL	866-PTB	866-STB	866-STC	NB-8763 x Trim Designation

\* Cylinder Override is available with a 306 Aux Control.

**Note:** Thumbpiece trims for 62 and 63 function devices are identical and are identified as 66 function when trim is ordered separately.

**Note:** FLW trim is not available in 32(629) or 32D(630).

**Note:** Pulls and thumb piece trims are not available in 14, 15, 26 or 26D.

Experience a safer  
and more open world

Options	
NB-8700	
<b>Mechanical Options:</b>	
12-	
16-	
19-	
31-	
36-	
37-	
43-	
53-	
54-	
55-	
56-	
56-HK-	
58-	
59-	
76-	
85-	
86-	
87-	
5CH-	
AL-	
BT-	
CPC-	
LD-	
PL-	
* SG-	
TB-	
<b>Cylinder Options:</b>	
10-	
10-21-	
10-63-	
11-	
11-21-	
11-60-	
11-63-	
11-64-	
11-70-7P-	
11-72-7P-	
11-73-7P-	
11-65-73-7P-	
21-	
51-	
52-	
60-	
63-	
64-	
70-	
72-	
73-	
65-73-	
65-73-7P-	
73-7P-	
81-	
82-	
F1-82-	
83-	
F1-83-	
84-	
BR-	
LC-	
SC-	
SE-	

\* Only available with 15, 26D and 32D finishes

### Available Finishes

SARGENT Finishes	BHMA Finishes
03	605
04	606
09	611
10	612
10B	613
10BE	613E
10BL	613L
14	618
15	619
20D	624
26	625
26D	626
32	629
32D	630
BSP	—
WSP	—

# MD8600(Windstorm Rated) and NB-MD8600 Concealed Vertical Rod Exit Device for Metal Doors

80 Series

**SARGENT**  
**ASSA ABLOY**

## MD8600 Series Concealed Vertical Rod Exit Device for Metal Doors



### Features

- Designed for standard width stile applications on hollow metal doors
- Concealed rods for security and aesthetics
- Single and double door applications
- Specify NB- for less bottom rod  
– NB not available with HC and WS options
- Devices are ANSI A156.3 - Grade 1
- UL Fire and Panic listed

### Specifications for MD8600 & NB-MD8600 Series Exit

Door Type	Metal Doors
Door Thickness	1-3/4" (44mm) minimum thickness. For doors over 1-3/4" to 2-1/4" thick, specify thickness and order as 31-
Cladding	Available for 1/4" on 1/2" panels. Specify 31- and panel thickness on order. Only available on 1-3/4" door thickness. Must be noted separately from door thickness on order string.
Stile	4-1/2" (114mm) minimum stile width
Rail sizes as determined by door width	Rails are available in 4 sizes, use door width to determine size needed. Rails will be factory cut to size, if door width is supplied <ul style="list-style-type: none"> <li>• E Rail for 24" to 32" door widths, No cutting required for 32" door</li> <li>• F Rail for 33" to 36" door widths, No cutting required for 36" door</li> <li>• J Rail for 37" to 42" door widths, No cutting required for 42" door</li> <li>• G Rail for 43" to 48" door widths, No cutting required for 48" door</li> </ul>
Strike	650 Top Strike & 606 Bottom Strike (Panic and Fire Rated)
Dogging Feature	Hex key dogging standard on non fired rated devices; specify 16- for cylinder dogging (#41 cylinder supplied)
Electric Options	AL- Alarm PL- SARGuide™ Photoluminescent Coated 53- LX Latchbolt Monitor 54- Outside Lever Monitoring 55- Request-to-Exit Signal - Rail Monitoring 56- Remote Latch Retraction 58- Electric Dogging 59- Electroguard – Self Contained Delayed Egress
Mounting Fasteners	Supplied standard with machine screws
Top Bolt	Stainless steel
Device Centerline from Finished Floor	41" (1041mm) for Standard Applications 38" (965mm) for elementary schools
Door/Opening Height	<b>Must be specified</b> - 120" (3048mm) Max Door Opening 96" max door height for HC and WS options
Center Case Dimensions	8-3/8" (213mm) x 2-5/8" (67mm)
Projection	Pushbar Neutral – 3" (76mm) Pushbar Depressed – 2-1/8" (54mm)
Fire Exit Hardware	See Chart – Page 6

### Notes:

- MD8600 & 12-MD8600 can be used as NB- Device by simply not installing the bottom rod/bolt
- 12-NB Applications require thermal pin. Thermal Pin supplied when ordered as a 12-NB Device.
- Must include "WS" option in the order string to specify Windstorm Rated product.

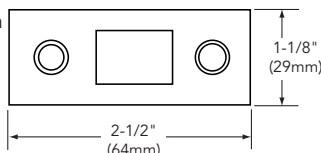
### 100 Series Aux Control

- Available as an 06 or 13 function
- Supplied with a SARGENT #41 Mortise Cylinder
- Can be used with any SARGENT Mortise Key System



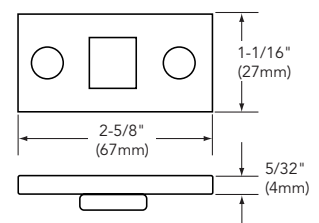
### 650 Top Strike

- For application in hollow metal frames
- Stainless steel nylon coated



### 606 Bottom Strike

- Furnished with expansion shields
- Mortised into floor
- Stainless steel



Copyright © 1998-2025, SARGENT Manufacturing Company. All rights reserved. Reproduction in whole or in part without the express written permission of SARGENT Manufacturing Company is prohibited. Patent pending and/or patent www.assaabloydss.com/patents.

90641 07/25

18

1-800-727-5477 • www.sargentlock.com

Experience a safer  
and more open world

# MD8600 and NB-MD8600 Functions and Trims for Metal Doors

## 80 Series

**How to order:** Options 59-NB- Series MD86 Function 13 Rail Lgth F Trim ETL Hand RHR Outside Finish 03 Inside Finish 03 Door Width 36" Door Height 84" AFF 41"

### 700 Series ET Trim



Exits with ET Trim, specify lever design after the ET designation (e.g., ETL)

### Lever Designs for ET Controls

A, B, E, F, J, L, P, W  
Also available with Coastal Series & Studio Collection Levers

### ET Designation with Suffix (Used to order ET without device)

MD8600 & NB-MD8600 Series: 706-4, 710-4, 713-4, 715-4, 740-4, 743-4, 746-4, 773-4, & 774-4

### Freewheeling Trim

The lever rotates when the door is locked preventing excessive force from being applied to the horizontal lever

### Electrified ET Trim

Voltage must be specified for the following functions: 73 and 74. Specify: 12VDC or 24VDC

SARGENT Function Numbers	ANSI Function Numbers	Description & Cylinder Info (1-3/4" Door)	ANSI Type 8 MD8600 Panic & Fire
06	09	Key unlocks Trim, Trim retracts latch/ Trim relocks when key is removed #41 Cylinder Supplied	MD8606 x ET_
10	01	No outside operation (No Cylinder)*	MD8610
10	02	No outside operation (No Cylinder)* ET Control is used as Pull Only	MD8610 x ET_
13	08	Key Outside Unlocks/locks Trim #41 Cylinder Supplied	MD8613 x ET_
15	14	Passage Only (No cylinder)	MD8615 x ET_
40	02	Freewheeling Trim - No outside Operation (No Cylinder)** Dummy Trim	MD8640 x ET_
43	08	Freewheeling Trim - Key Outside Unlocks/locks Trim #41 Cylinder Supplied	MD8643 x ET_
46	09	Freewheeling Trim - Key unlocks Trim, Trim retracts latch/ Trim relocks when key is removed #41 Cylinder Supplied	MD8646 x ET_
73		Electrified ET Trim - Fail Safe Power Off, Unlocks Lever (No Cylinder)*	MD8673 x ET_
74		Electrified ET Trim - Fail Secure Power Off, Locks Lever (No Cylinder)*	MD8674 x ET_

**Note:** Exit devices are available in all standard finishes, except 14, 15, 26 & 26D. With these finishes, exit devices are supplied in 32 or 32D to match accordingly. 32 or 32D is automatically supplied when 26 or 26D is specified. For nickel finishes, specify 14/32 or 15/32D to receive nickel finished trims and stainless exit devices.

**Note:** AFF means Above Finished Floor, center line of rail Above Finished Floor.

\* Cylinder Override is available with a 106 Aux Control

Example Order: MD8673F 12V x ETMG x 106 x RHR x 32D x 36" w x 84" h

### 100 Series Auxiliary Control\* & 862 Pull



SARGENT Function Numbers	ANSI Function Numbers	Description & Cylinder Info (1-3/4" Door)	MD8600 Panic & Fire
06	12	Key unlocks Turn, Turn retracts latch/ Turn relocks when key is removed #41 Cylinder Supplied	MD8610 x 106
10	02	862 Pull Only (Optional Pulls: 863 & 864)	MD8610 x 862 Pull
13	11	Key Outside Unlocks/locks Turn #41 Cylinder Supplied	MD8610 x 113

**Note:** When ordering MD8600/NB-MD8600 Series Exit Device x 100 Series Aux. Control, specify 10 Function for the exit. Example: MD8610F x 106 x RHR x 32D x 42" x 90"

Options
<b>MD8600</b>
<b>Mechanical Options:</b>
12-
16-
19-
31-
36-
37-
43-
53-
54-
55-
56-
56-HK-
5LH
58-
59-
BC-59-
76-
85-
86-
87-
AL-
BT-
CPC-
HC-
LD-
NB-
PL-
* SG-
WS-
<b>Cylinder Options:</b>
10-
10-21-
10-63-
11-
11-21-
11-60-
11-63-
11-64-
11-70-7P-
11-72-7P-
11-73-7P-
11-65-73-7P-
21-
51-
52-
60-
63-
64-
70-
72-
73-
65-73-
65-73-7P-
73-7P-
81-
82-
F1-82-
83-
F1-83-
84-
BR-
LC-
SC-
SE-

\* Only available with 15, 26D and 32D finishes

### Available Finishes

SARGENT Finishes	BHMA Finishes
03	605
04	606
09	611
10	612
10B	613
10BE	613E
10BL	613L
14	618
15	619
20D	624
26	625
26D	626
32	629
32D	630
BSP	—
WSP	—

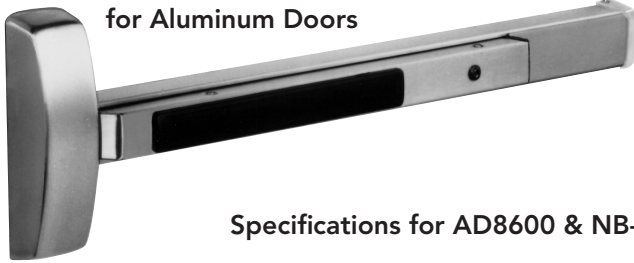
# AD8600 and NB-AD8600 Concealed Vertical Rod Exit Device for Aluminum Doors

80 Series

**SARGENT**  
**ASSA ABLOY**

## AD8600 Series

Concealed Vertical Rod Exit Device  
for Aluminum Doors

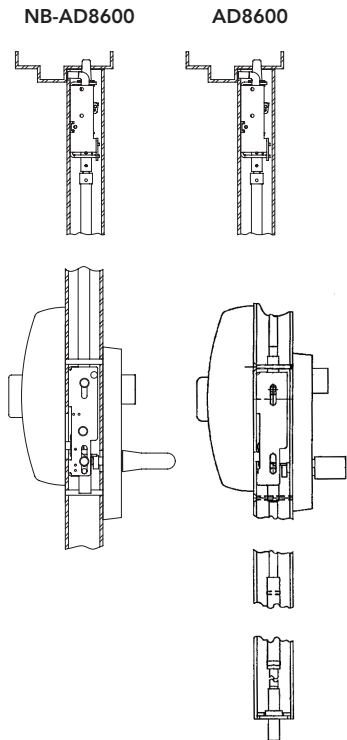


### Specifications for AD8600 & NB-AD8600 Series Exit

### Features

- Designed for standard width stile applications on aluminum doors
- Concealed rods for security and aesthetics
- Single and double door applications
- Specify NB- for less bottom rod
- Devices are ANSI/BHMA A156.3 - Grade 1
- UL305 (Panic) listed only

Door Type	Aluminum Doors
Door Thickness	1-3/4" (44mm) minimum thickness. For doors over 1-3/4" to 2-1/4" thick, specify thickness and order as 31-
Cladding	Available for 1/4" on 1/2" panels. Specify 31- and panel thickness on order. Only available on 1-3/4" door thickness. Must be noted separately from door thickness on order string.
Stile	4-1/2" (114mm) minimum stile width
Rail sizes as determined by door width	Rails are available in 4 sizes, use door width to determine size needed. Rails will be factory cut to size, if door width is supplied <ul style="list-style-type: none"> <li>• E Rail for 24" to 32" door widths, No cutting required for 32" door</li> <li>• F Rail for 33" to 36" door widths, No cutting required for 36" door</li> <li>• J Rail for 37" to 42" door widths, No cutting required for 42" door</li> <li>• G Rail for 43" to 48" door widths, No cutting required for 48" door</li> </ul>
Strike	640 Strikes for Top & Bottom Strike
Dogging Feature	Hex key dogging standard on non fired rated devices; specify 16- for cylinder dogging (#41 cylinder supplied)
Electric Options	AL- Alarm PL- SARGuide™ Photoluminescent Coated 53- LX Latchbolt Monitor 54- Outside Lever Monitoring 55- Request-to-Exit Signal - Rail Monitoring 56- Remote Latch Retraction 58- Electric Dogging 59- Electroguard – Self Contained Delayed Egress
Mounting Fasteners	Supplied standard with machine screws
Top Bolt	Stainless steel
Device Centerline from Finished Floor	41" (1041mm) for Standard Applications 38" (965mm) for elementary schools
Door/Opening Height	Must be specified - 120" (3048mm) Max Door Opening
Center Case Dimensions	8-3/8" (213mm) x 2-5/8" (67mm)
Projection	Pushbar Neutral – 3" (76mm) Pushbar Depressed – 2-1/8" (54mm)
Fire Exit Hardware	Not Available



**Note:** AD8600 can be used as NB- Device by simply not installing the bottom rod/bolt

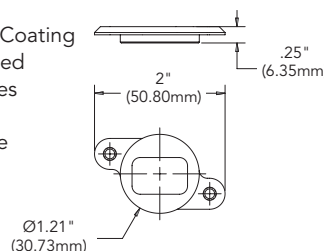
### 100 Series Aux Control

- Available as an 06 or 13 function
- Supplied with a SARGENT #41 Mortise Cylinder
- Can be used with any SARGENT Mortise Key System



### 639/640 Strike Kits

- Steel with Black Nylon Coating
- Machine Screws Supplied
- 640 Kit contains 2 strikes (Top & Bottom)
- 639 Kit contains 1 strike (Top Only)



Copyright © 1998-2025, SARGENT Manufacturing Company. All rights reserved. Reproduction in whole or in part without the express written permission of SARGENT Manufacturing Company is prohibited. Patent pending and/or patent www.assaabloydss.com/patents.

90641 07/25

**20**

1-800-727-5477 • [www.sargentlock.com](http://www.sargentlock.com)

Experience a safer  
and more open world

# AD8600 and NB-AD8600 Functions and Trims for Aluminum Doors

## 80 Series

**SARGENT**  
**ASSA ABLOY**

How to order:	Options	Series	Function	Rail Lgth	Trim	Hand	Outside Finish	Inside Finish	Door Width	Door Height	AFF	Options
	56-NB-	AD86	13	F	ETL	RHR	15	32D	36"	84"	41"	AD8600

### 700 Series ET Trim



Exits with ET Trim, specify lever design after the ET designation (e.g., ETL)

### Lever Designs for ET Controls

A, B, E, F, J, L, P, W  
Also available with Coastal Series & Studio Collection Levers

### ET Designation with Suffix (Used to order ET without device)

AD8600 & NB-AD8600 Series:  
706-4, 710-4, 713-4, 715-4, 740-4, 743-4, 746-4, 773-4, & 774-4

### Freewheeling Trim

The lever rotates when the door is locked preventing excessive force from being applied to the horizontal lever

### Electrified ET Trim

Voltage must be specified for the following functions: 73 and 74.  
Specify: 12VDC or 24VDC

SARGENT Function Numbers	ANSI Function Numbers	Description & Cylinder Info (1-3/4" Door)	ANSI Type 8 AD8600 Panic
06	09	Key unlocks Trim, Trim retracts latch/ Trim relocks when key is removed #41 Cylinder Supplied	AD8606 x ET_
10	01	No outside operation (No Cylinder)*	AD8610
10	02	No outside operation (No Cylinder)* ET Control is used as Pull Only	AD8610 x ET_
13	08	Key Outside Unlocks/locks Trim #41 Cylinder Supplied	AD8613 x ET_
15	14	Passage Only (No cylinder)	AD8615 x ET_
40	02	Freewheeling Trim - No outside operation (No Cylinder)* Dummy Trim	AD8640 x ET_
43	08	Freewheeling Trim - Key Outside Unlocks/locks Trim #41 Cylinder Supplied	AD8643 x ET_
46	09	Freewheeling Trim - Key unlocks Trim, Trim retracts latch/ Trim relocks when key is removed #41 Cylinder Supplied	AD8646 x ET_
73		Electrified ET Trim - Fail Safe Power Off, Unlocks Lever (No Cylinder)*	AD8673 x ET_
74		Electrified ET Trim - Fail Secure Power Off, Locks Lever (No Cylinder)*	AD8674 x ET_

**Note:** Exit devices are available in all standard finishes, except 14, 15, 26 & 26D. With these finishes, exit devices are supplied in 32 or 32D to match accordingly. 32 or 32D is automatically supplied when 26 or 26D is specified. For nickel finishes, specify 14/32 or 15/32D to receive nickel finished trims and stainless exit devices

**Note:** AFF means Above Finished Floor, center line of rail Above Finished Floor

\* Cylinder Override is available with a 106 Aux Control

Example Order: AD8673F 12V x ETMG x 106 x RHR x 32D x 36" w x 84" h

### 100 Series Auxiliary Control\* & 862 Pull



100 Series Aux. Control



862 Pull

SARGENT Function Numbers	ANSI Function Numbers	Description & Cylinder Info (1-3/4" Door)	AD8600 Panic
06	12	Key unlocks Turn, Turn retracts latch/ Turn relocks when key is removed #41 Cylinder Supplied	AD8610 x 106
10	02	862 Pull Only (Optional Pulls: 863 & 864)	AD8610 x 862 Pull
13	11	Key Outside Unlocks/locks Turn #41 Cylinder Supplied	AD8610 x 113

**Note:** When ordering AD8600/NB-AD8600 Series Exit Device x 100 Series Aux. Control, specify 10 Function for the exit.  
Example: AD8610F x 106 x RHR x 32D x 42" x 90"

### Mechanical Options:

- 16-
- 19-
- 31-
- 36-
- 37-
- 43-
- 53-
- 54-
- 55-
- 56-
- 56-HK-
- 5LH
- 58-
- 59-
- BC-59-
- 76-
- 85-
- 86-
- 87-
- AL-
- BT-
- CPC-
- LD-
- NB-
- PL-
- \* SG-

### Cylinder Options:

- 10-
- 10-21-
- 10-63-
- 11-
- 11-21-
- 11-60-
- 11-63-
- 11-64-
- 11-70-7P-
- 11-72-7P-
- 11-73-7P-
- 11-65-73-7P-
- 21-
- 51-
- 52-
- 60-
- 63-
- 64-
- 70-
- 72-
- 73-
- 65-73-
- 65-73-7P-
- 73-7P-
- 81-
- 82-
- F1-82-
- 83-
- F1-83-
- 84-
- BR-
- LC-
- SC-
- SE-

\* Only available with 15, 26D and 32D finishes

### Available Finishes

SARGENT Finishes	BHMA Finishes
03	605
04	606
09	611
10	612
10B	613
10BE	613E
10BL	613L
14	618
15	619
20D	624
26	625
26D	626
32	629
32D	630
BSP	—
WSP	—

Experience a safer  
and more open world

1-800-727-5477 • www.sargentlock.com

21

# WD8600 and NB-WD8600 Concealed Vertical Rod Exit Device for Wood Doors

80 Series

**SARGENT**  
**ASSA ABLOY**



**WD8600 Series**  
**Concealed Vertical Rod Exit Device  
for Wood Doors**

## Features

- Designed for standard width stile applications on wood doors
- Concealed rods offer security
- Single and double door applications
- Specify NB- for less bottom rod
- Devices are ANSI/BHMA A156.3 - Grade 1
- UL10C (Fire) and UL305 (Panic) listed

## Specifications for WD8600 & NB-WD8600 Series Exit

Door Type	Wood Doors
Door Thickness	1-3/4" (44mm) minimum thickness. For doors over 1-3/4" to 2-1/4" thick, specify thickness and order as 31-
Cladding	Available for 1/4" on 1/2" panels. Specify 31- and panel thickness on order. Only available on 1-3/4" door thickness. Must be noted separately from door thickness on order string.
Stile	4-1/2" (114mm) minimum stile width
Rail sizes as determined by door width	Rails are available in 4 sizes, use door width to determine size needed. Rails will be factory cut to size, if door width is supplied <ul style="list-style-type: none"> <li>• E Rail for 24" to 32" door widths, No cutting required for 32" door</li> <li>• F Rail for 33" to 36" door widths, No cutting required for 36" door</li> <li>• J Rail for 37" to 42" door widths, No cutting required for 42" door</li> <li>• G Rail for 43" to 48" door widths, No cutting required for 48" door</li> </ul>
Strike	650 Top Strike & 606 Bottom Strike (Panic and Fire Rated)
Dogging Feature	Hex key dogging standard on non fired rated devices; specify 16- for cylinder dogging (#41 cylinder supplied)
Electric Options	AL- Alarm PL- SARGuide™ Photoluminescent Coated 53- LX Latchbolt Monitor 54- Outside Lever Monitoring 55- Request-to-Exit Signal - Rail Monitoring 56- Remote Latch Retraction 58- Electric Dogging 59- Electroguard – Self Contained Delayed Egress
Mounting Fasteners	Supplied standard with wood screws
Top Bolt	Stainless steel
Device Centerline from Finished Floor	41" (1041mm) for Standard Applications 38" (965mm) for elementary schools
Door/Opening Height	<b>Must be specified</b> - 108" (2743mm) Max Door Opening - Fire rated doors 120" (3048mm) Max Door Opening - Non-fire rated doors
Center Case Dimensions	8-3/8" (213mm) x 2-5/8" (67mm)
Projection	Pushbar Neutral – 3" (76mm) Pushbar Depressed – 2-1/8" (54mm)
Fire Exit Hardware	See Chart – Page 6

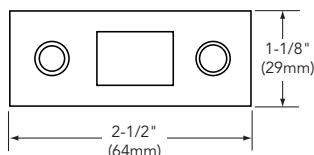
**Note:** WD8600 & 12-WD8600 can be used as NB- Device by simply not installing the bottom rod/bolt  
**Note:** 12-NB applications require thermal pin. Thermal pin supplied when ordered as a 12-NB device

## 100 Series Aux Control

- Available as an 06 or 13 function
- Supplied with a SARGENT #41 Mortise Cylinder
- Can be used with any SARGENT Mortise Key System

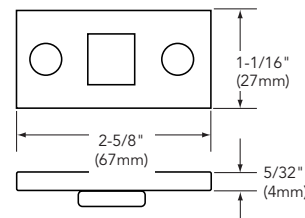


## 650 Top Strike



- For application in hollow metal frames
- Stainless steel

## 606 Bottom Strike



- Furnished with expansion shields
- Mortised into floor
- Stainless steel

Copyright © 1998-2025, SARGENT Manufacturing Company. All rights reserved. Reproduction in whole or in part without the express written permission of SARGENT Manufacturing Company is prohibited. Patent pending and/or patent www.assaabloydss.com/patents.

90641 07/25

**22**

1-800-727-5477 • www.sargentlock.com

Experience a safer  
and more open world

# WD8600 and NB-WD8600

## Functions and Trims for Wood Doors

### 80 Series



<b>How to order:</b>	<b>Options</b>	<b>Series</b>	<b>Function</b>	<b>Rail Lgth</b>	<b>Trim</b>	<b>Hand</b>	<b>Outside Finish</b>	<b>Inside Finish</b>	<b>Door Width</b>	<b>Door Height</b>	<b>AFF</b>
	58-NB-	WD86	13	F	ETL	RHR	26D	32D	36"	84"	41"

#### 700 Series ET Trim



Exits with ET Trim, specify lever design after the ET designation (e.g., ETL)

#### Lever Designs for ET Controls

A, B, E, F, J, L, P, W  
Also available with Coastal Series & Studio Collection Levers

#### ET Designation with Suffix (Used to order ET without device)

MD8600 & NB-MD8600 Series:  
706-4, 710-4, 713-4, 715-4, 740-4,  
743-4, 746-4, 773-4, & 774-4

#### Freewheeling Trim

The lever rotates when the door is locked preventing excessive force from being applied to the horizontal lever

#### Electrified ET Trim

Voltage must be specified for the following functions: 73 and 74.  
Specify: 12VDC or 24VDC

SARGENT Function Numbers	ANSI Function Numbers	Description & Cylinder Info (1-3/4" Door)	ANSI Type 7 WD8600 Panic & Fire
06	09	Key unlocks Trim, Trim retracts latch/ Trim relocks when key is removed #41 Cylinder Supplied	WD8606 x ET_
10	01	No outside operation (No Cylinder)*	WD8610
10	02	No outside operation (No Cylinder)* ET Control is used as Pull Only	WD8610 x ET_
13	08	Key Outside Unlocks/locks Trim #41 Cylinder Supplied	WD8613 x ET_
15	14	Passage Only (No cylinder)	WD8615 x ET_
40	02	Freewheeling Trim - No outside operation (No Cylinder)* Dummy Trim	WD8640 x ET_
43	08	Freewheeling Trim - Key Outside Unlocks/locks Trim #41 Cylinder Supplied	WD8643 x ET_
46	09	Freewheeling Trim - Key unlocks Trim, Trim retracts latch/ Trim relocks when key is removed #41 Cylinder Supplied	WD8646 x ET_
73		Electrified ET Trim - Fail Safe Power Off, Unlocks Lever (No Cylinder)*	WD8673 x ET_
74		Electrified ET Trim - Fail Secure Power Off, Locks Lever (No Cylinder)*	WD8674 x ET_

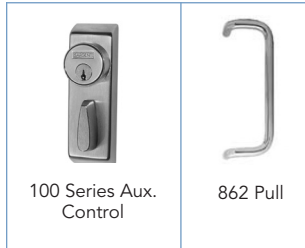
**Note:** Exit devices are available in all standard finishes, except 14, 15, 26 & 26D. With these finishes, exit devices are supplied in 32 or 32D to match accordingly. 32 or 32D is automatically supplied when 26 or 26D is specified. For nickel finishes, specify 14/32 or 15/32D to receive nickel finished trims and stainless exit devices.

**Note:** AFF means Above Finished Floor, center line of rail Above Finished Floor

\* Cylinder Override is available with a 106 Aux Control

Example Order: WD8673F 12V x ETMG x 106 x RHR x 32D x 36" w x 84" h

#### 100 Series Auxiliary Control\* & 862 Pull



SARGENT Function Numbers	ANSI Function Numbers	Description & Cylinder Info (1-3/4" Door)	WD8600 Panic & Fire
06	12	Key unlocks Turn, Turn retracts latch/ Turn relocks when key is removed #41 Cylinder Supplied	WD8610 x 106
10	02	862 Pull Only (Optional Pulls: 863 & 864)	WD8610 x 862 Pull
13	11	Key Outside Unlocks/locks Turn #41 Cylinder Supplied	WD8610 x 113

**Note:** When ordering WD8600/NB-WD8600 Series Exit Device x 100 Series Aux. Control, specify 10 Function for the exit.  
Example: WD8610F x 106 x RHR x 32D x 42" x 90"

Options WD8600
<b>Mechanical Options:</b>
12-
16-
19-
31-
36-
37-
43-
53-
54-
55-
56-
56-HK-
5LH-
58-
59-
BC-59-
76-
85-
86-
87-
AL-
BT-
CPC-
LD-
NB-
PL-
* SG-
<b>Cylinder Options:</b>
10-
10-21-
10-63-
11-
11-21-
11-60-
11-63-
11-64-
11-70-7P-
11-72-7P-
11-73-7P-
11-65-73-7P-
21-
51-
52-
60-
63-
64-
70-
72-
73-
65-73-
65-73-7P-
73-7P-
81-
82-
F1-82-
83-
F1-83-
84-
BR-
LC-
SC-
SE-

\* Only available with 15, 26D and 32D finishes

#### Available Finishes

SARGENT Finishes	BHMA Finishes
03	605
04	606
09	611
10	612
10B	613
10BE	613E
10BL	613L
14	618
15	619
20D	624
26	625
26D	626
32	629
32D	630
BSP	—
WSP	—

Experience a safer  
and more open world

1-800-727-5477 • www.sargentlock.com

23

Copyright © 1998-2025, SARGENT Manufacturing Company. All rights reserved. Reproduction in whole or in part without the express written permission of SARGENT Manufacturing Company is prohibited. Patent pending and/or patent www.assaabloydss.com/patents.

07/25 90641

# 8500 Narrow Design Rim Exit Device

80 Series

**SARGENT**  
**ASSA ABLOY**



**8500 Series**  
**Narrow Design Rim Exit Device**

## Specifications for 8500 Series Exit

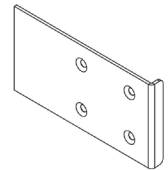
Door Type	Wood or metal Doors
Door Thickness	1-3/4" (44mm) minimum thickness. For doors over 1-3/4" to 5" thick, specify thickness and order as 31- (see page 67 for function limitation)
Stile	2" (114mm) minimum stile (Less Trim)
Rail sizes as determined by door width	Rails are available in 4 sizes, use door width to determine size needed. Rails will be factory cut to size, if door width is supplied. <ul style="list-style-type: none"> <li>• E Rail for 24" to 32" door widths</li> <li>• F Rail for 33" to 36" door widths</li> <li>• J Rail for 37" to 42" door widths</li> <li>• G Rail for 43" to 48" door widths</li> </ul>
Strike	657 Strike, Supplied standard for panic devices 656 Strike, Supplied standard for panic devices 649 Strike, Supplied standard for fired rated devices Optional Strikes – 649, 658 Standard with 650A Mullion
Dogging Feature	Hex key dogging standard on non fired rated devices; specify 16- for cylinder dogging (#41 cylinder supplied)
Electric Options	AL- Alarm 53- LX Latchbolt Monitor 54- Outside Lever Monitoring 55- Request-to-Exit Signal - Rail Monitoring 56- Remote Latch Retraction 58- Electric Dogging 59- Electroguard – Self Contained Delayed Egress
Weather Resistant	WH- Weep Holes (Available only with Clear Coated Finishes. See Chart - Page 77)
Mounting Fasteners	Supplied standard with wood and machine screws Available with through-bolts and mortise (sex) nuts
Latch Bolt	Stainless steel, 3/4" (19mm) throw
Device Centerline from Finished Floor	41" (1041 mm) for Standard Applications
Center Case Dimensions	8-5/16" (211mm) x 1-1/16" (27mm)
Projection	Pushbar Neutral – 3" (76 mm) Pushbar Depressed – 2-1/8" (54 mm)
Fire Exit Hardware	See Chart – Page 6

## 8500 Features

- Designed for narrow stile applications (e.g., aluminum frame full glass doors)
- Single and double doors with mullion
- Single point rim latching device
- Quiet operation and solid security
- Devices are ANSI/BHMA A156.3 - Grade 1
- UL10C (Fire) and UL305 (Panic) listed

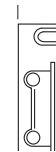
## 604 Wear Plate Kit

- Designed for use with narrow stile aluminum doors
- Field cut to accommodate all door frame face sizes



## 649 Standard Strike for 12-8500

- Surface applied
- Black nylon coated



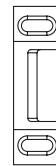
## 651 Mullion Stabilizer Kit

- Stabilizer block
- Furnished standard w/650A Mullion
- Order as a 651 Kit



## 656 Mullion Strike

- Surface applied
- Use with 980 mullions
- Black nylon coated



## 657 Standard Strike for 8500

- Surface applied or mortised
- For use on frames with blade stop or integral stop
- Black nylon coated



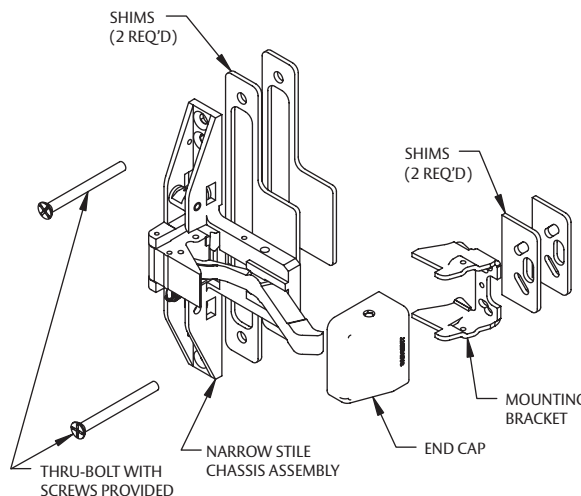
## 658 Strike alternative for 8500

- Packed standard with 650A mullion
- Can be ordered separately for surface application to frames
- Black nylon coated



## 668 Shim Kits for 8500

- Two Chassis Shims and Two End Cap Shims
- Shims are 1/8" for a total height of 1/4"



Copyright © 1998-2025, SARGENT Manufacturing Company. All rights reserved. Reproduction in whole or in part without the express written permission of SARGENT Manufacturing Company is prohibited. Patent pending and/or patent www.assaabloydss.com/patents.

90641 07/25



# 8500 Narrow Design Rim Exit Device Functions & Trim

## 80 Series

<b>How to order:</b>	<b>Options</b> F1-83-56	<b>Series</b> 85	<b>Function</b> 13	<b>Rail Lgth</b> F	<b>Trim</b> ETL	<b>Hand</b> RHR	<b>Outside Finish</b> 15	<b>Inside Finish</b> 32D	<b>Door Width</b> 36"
----------------------	----------------------------	---------------------	-----------------------	-----------------------	--------------------	--------------------	-----------------------------	-----------------------------	--------------------------

### 700 Series ET Trim



Exits with ET Trim, specify lever design after the ET designation (e.g., ETL)

### Lever Designs for ET Controls

A, B, E, F, J, L, P, W

Also available with Coastal Series & Studio Collection Levers

### ET Designation with Suffix (Used to order ET without device)

8500 Series: 704, 706-8, 710, 713-8, 715-8, 740, 743-8, 744, 746-8, 773-8 & 774-8

### Freewheeling Trim

The lever rotates when the door is locked preventing excessive force from being applied to the horizontal lever

### Electrified ET Trim

Voltage must be specified for the following functions: 73 and 74.  
Specify: 12VDC or 24VDC

SARGENT Function Numbers	ANSI Function Numbers	Description & Cylinder Info. (1-3/4" Door)	ANSI Type 4 8500 Panic
04*	03	Night Latch Key Retracts Latch #34 Cylinder Supplied	8504 x ET_
06	09	Key unlocks Trim, Trim retracts latch/ Trim relocks when key is removed #41 Cylinder Supplied	8506 x ET_
10	01	No outside operation (No Cylinder)	8510
10	02	No outside operation (No Cylinder) ET Control is used as Pull Only	8510 x ET_
13	08	Key Outside Unlocks/locks Trim #41 Cylinder Supplied	8513 x ET_
15	14	Passage Only (No cylinder)	8515 x ET_
40	02	Freewheeling Trim - No outside operation (No Cylinder) Dummy Trim	8540 x ET_
43	08	Freewheeling Trim - Key Outside Unlocks/locks Trim #41 Cylinder Supplied	8543 x ET_
44	03	Freewheeling Trim - Key Retracts Latch #34 Cylinder Supplied	8544 x ET_
46	09	Freewheeling Trim - Key unlocks Trim, Trim retracts latch/ Trim relocks when key is removed #41 Cylinder Supplied	8546 x ET_
73		Electrified ET Trim - Fail Safe Power Off, Unlocks Lever (No Cylinder)**	8573 x ET_
74		Electrified ET Trim - Fail Secure Power Off, Locks Lever (No Cylinder)**	8574 x ET_

**Note:** Exit devices are available in all standard finishes, except 14, 15, 26 & 26D. With these finishes, exit devices are supplied in 32 or 32D to match accordingly. 32 or 32D is automatically supplied when 26 or 26D is specified. For nickel finishes, specify 14/32 or 15/32D to receive nickel finished trims and stainless exit devices

\* Consult factory when using with cylinders from other manufacturers

\*\* Cylinder override is not available with 8500 Series Devices

Options
8500
<b>Mechanical Options:</b>
12- 16- 19- 31- 36- 37- 43- 53- 54- 55- 56- 56-HK- 58- 59- 5CH- BC-59- 76- 85- 86- 87- AL- BT- CPC- GL- LD- PL- * SG- WH-
<b>Cylinder Options:</b>
10- 10-21- 10-63- 11- 11-21- 11-60- 11-63- 11-64- 11-70-7P- 11-72-7P- 11-73-7P- 11-65-73-7P- 21- 51- 52- 60- 63- 64- 70- 72- 73- 65-73- 65-73-7P- 73-7P- 81- 82- F1-82- 83- F1-83- 84- BR- LC- SC- SE-

\* Only available with 15, 26D and 32D finishes

### Trim designations

### Series



8500 Panic

Pull Trim Section	SARGENT Function Numbers	ANSI Function Numbers	Description & Cylinder Info. (1-3/4" Door)
<p>862 Pull</p>	04	03	Night Latch Key Retracts Latch #34 Cylinder Supplied
	10	02	862 Pull Only (Optional Pulls: 863 & 864)

### Available Finishes

SARGENT Finishes	BHMA Finishes
03	605
04	606
09	611
10	612
10B	613
10BE	613E
10BL	613L
14	618
15	619
20D	624
26	625
26D	626
32	629
32D	630
BSP	32DCP
WSP	

# AD8500 Narrow Design Rim Exit Device for Aluminum Doors

80 Series

**SARGENT**  
**ASSA ABLOY**



**AD8500 Series  
Narrow Design Rim Exit Device**

## AD8500 Features

- Designed for narrow stile applications (e.g., aluminum frame full glass doors)
- Single and double doors with mullion
- Single point rim latching device
- Quiet operation and solid security
- Devices are ANSI/BHMA A156.3 - Grade 1
- Available Windstorm-rated; order WS-

## Specifications for AD8500 Series Exit

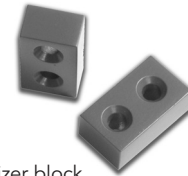
Door Type	Aluminum Doors
Door Thickness	1-3/4" (44mm) minimum thickness. For doors over 1-3/4" to 5" thick, specify thickness and order as 31- (see page 67 for function limitation)
Stile	2" (114mm) minimum stile (Less Trim)
Rail sizes as determined by door width	Rails are available in 4 sizes, use door width to determine size needed. Rails will be factory cut to size, if door width is supplied <ul style="list-style-type: none"> <li>• E Rail for 24" to 32" door widths</li> <li>• F Rail for 33" to 36" door widths</li> <li>• J Rail for 37" to 42" door widths</li> <li>• G Rail for 43" to 48" door widths</li> </ul>
Strike	657 Strike, Supplied standard for panic devices 656 Strike, Supplied standard for panic devices 649 Strike, Supplied standard for fired rated devices Optional Strikes – 649, 658 Standard with 650A Mullion
Dogging Feature	Hex key dogging standard; specify 16- for cylinder dogging (#41 cylinder supplied)
Electric Options	AL- Alarm 53- LX Latchbolt Monitor 54- Outside Lever Monitoring 55- Request-to-Exit Signal - Rail Monitoring 56- Remote Latch Retraction 58- Electric Dogging 59- Electroguard – Self Contained Delayed Egress
Mounting Fasteners	Supplied standard with wood and machine screws Available with through-bolts and mortise (sex) nuts
Latch Bolt	Stainless steel, 3/4" (19mm) throw
Device Centerline from Finished Floor	41" (1041 mm) for Standard Applications
Center Case Dimensions	8-5/16" (211mm) x 1-1/16" (27mm)
Projection	Pushbar Neutral – 3" (77mm) Pushbar Depressed – 2-1/8" (54mm)

## 657 Standard Strike for 8500



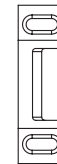
- Surface applied or mortised
- For use on frames with blade stop or integral stop
- Black nylon coated

## 651 Mullion Stabilizer Kit



- Stabilizer block
- Furnished standard w/650A Mullion
- Order as a 651 Kit

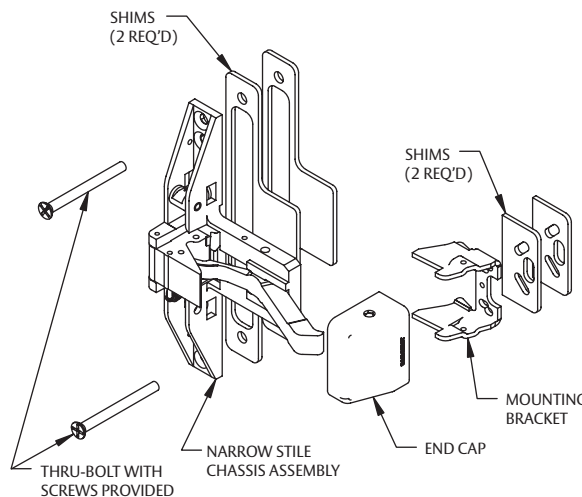
## 656 Mullion Strike



- Surface applied
- Use with 980 mullions
- Black nylon coated

## 535 Kit for Windstorm Applications (WS-AD8500)

- Two Chassis Shims and Two End Cap Shims
- Shims are 1/8" for a total height of 1/4"
- 649 Strike Pack
- 651 Stabilizer Kit



## 604 Wear Plate Kit



- Surface applied
- Accommodates all sizes of door frame face

Copyright © 1998-2025, SARGENT Manufacturing Company. All rights reserved. Reproduction in whole or in part without the express written permission of SARGENT Manufacturing Company is prohibited. Patent pending and/or patent www.assaabloydss.com/patents.

90641 07/25

# AD8500 Narrow Design Rim Exit Device Functions & Trim

## 80 Series

**SARGENT**  
**ASSA ABLOY**

<b>How to order:</b>	<b>Options</b> F1-83-56	<b>Series</b> AD85	<b>Function</b> 13	<b>Rail Lgth</b> F	<b>Trim</b> ETL	<b>Hand</b> RHR	<b>Outside Finish</b> 15	<b>Inside Finish</b> 32D	<b>Door Width</b> 36"
----------------------	----------------------------	-----------------------	-----------------------	-----------------------	--------------------	--------------------	-----------------------------	-----------------------------	--------------------------

### 700 Series ET Trim



Exits with ET Trim, specify lever design after the ET designation (e.g., ETL)

### Lever Designs for ET Controls

A, B, E, F, J, L, P, W

Also available with Coastal Series & Studio Collection Levers

### ET Designation with Suffix (Used to order ET without device)

AD8500 Series: 704, 706-8, 710, 713-8, 715-8, 740, 743-8, 744, 746-8, 773-8 & 774-8

### Freewheeling Trim

The lever rotates when the door is locked preventing excessive force from being applied to the horizontal lever

### Electrified ET Trim

Voltage must be specified for the following functions: 73 and 74. Specify: 12VDC or 24VDC

SARGENT Function Numbers	ANSI Function Numbers	Description & Cylinder Info. (1-3/4" Door)	ANSI Type 4 AD8500 Panic
04*	03	Night Latch Key Retracts Latch #34 Cylinder Supplied	AD8504 x ET_
06	09	Key unlocks Trim, Trim retracts latch/ Trim relocks when key is removed #41 Cylinder Supplied	AD8506 x ET_
10	01	No outside operation (No Cylinder)	AD8510
10	02	No outside operation (No Cylinder) ET Control is used as Pull Only	AD8510 x ET_
13	08	Key Outside Unlocks/locks Trim #41 Cylinder Supplied	AD8513 x ET_
15	14	Passage Only (No cylinder)	AD8515 x ET_
40	02	Freewheeling Trim - No outside operation (No Cylinder) Dummy Trim	AD8540 x ET_
43	08	Freewheeling Trim - Key Outside Unlocks/locks Trim #41 Cylinder Supplied	AD8543 x ET_
44	03	Freewheeling Trim - Key Retracts Latch #34 Cylinder Supplied	AD8544 x ET_
46	09	Freewheeling Trim - Key unlocks Trim, Trim retracts latch/ Trim relocks when key is removed #41 Cylinder Supplied	AD8546 x ET_
73		Electrified ET Trim - Fail Safe Power Off, Unlocks Lever (No Cylinder)**	AD8573 x ET_
74		Electrified ET Trim - Fail Secure Power Off, Locks Lever (No Cylinder)**	AD8574 x ET_

**Note:** Exit devices are available in all standard finishes, except 14, 15, 26 & 26D. With these finishes, exit devices are supplied in 32 or 32D to match accordingly. 32 or 32D is automatically supplied when 26 or 26D is specified. For nickel finishes, specify 14/32 or 15/32D to receive nickel finished trims and stainless exit devices

\* Consult factory when using with cylinders from other manufacturers

\*\* Cylinder override is not available with AD8500 Series Devices

### Options

#### AD8500

#### Mechanical Options:

- 12-
- 16-
- 19-
- 31-
- 36-
- 37-
- 43-
- 53-
- 54-
- 55-
- 56-
- 56-HK-
- 58-
- 59-
- SCH-
- BC-59-
- 76-
- 85-
- 86-
- 87-
- AL-
- BT-
- CPC-
- GL-
- LD-
- PL-
- \* SG-
- WS-
- Cylinder Options:**
- 10-
- 10-21-
- 10-63-
- 11-
- 11-21-
- 11-60-
- 11-63-
- 11-64-
- 11-70-7P-
- 11-72-7P-
- 11-73-7P-
- 11-65-73-7P-
- 21-
- 51-
- 52-
- 60-
- 63-
- 64-
- 70-
- 72-
- 73-
- 65-73-
- 65-73-7P-
- 73-7P-
- 81-
- 82-
- F1-82-
- 83-
- F1-83-
- 84-
- BR-
- LC-
- SC-
- SE-

\* Only available with 15, 26D and 32D finishes

### Trim designations

Pull Trim Section	SARGENT Function Numbers	ANSI Function Numbers	Description & Cylinder Info. (1-3/4" Door)	Series AD8500 Panic
 862 Pull	04	03	Night Latch Key Retracts Latch #34 Cylinder Supplied	AD8504 x 862 Pull only
	10	02	862 Pull Only (Optional Pulls: 863 & 864)	AD8510 x 862 Pull only



### Available Finishes

SARGENT Finishes	BHMA Finishes
03	605
04	606
09	611
10	612
10B	613
10BE	613E
10BL	613L
14	618
15	619
20D	624
26	625
26D	626
32	629
32D	630
BSP	—
WSP	—

Experience a safer  
and more open world

1-800-727-5477 • www.sargentlock.com

**27**

# 8300 Narrow Design Mortise Lock Exit Device

80 Series

**SARGENT**  
**ASSA ABLOY**



**8300 Series**  
**Narrow Design Mortise Lock Exit Device**

## 8300 Features

- Designed for standard width stiles with a narrow design look
- Through-bolted trim for quiet operation and security
- Single door applications
- Double door applications with Mortise Lock x Vertical Rod Device
- UL10C (Fire) and UL305 (Panic) listed
- Devices are ANSI/BHMA A156.3 - Grade 1

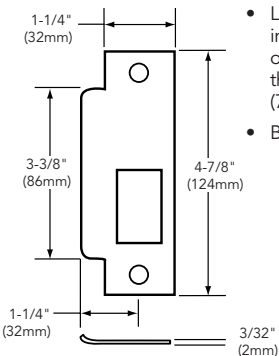
## Specifications for 8300 Mortise Lock Exit

Door Type	Wood or metal doors
Door Thickness	1-3/4" (44mm) minimum thickness. For doors over 1-3/4" to 2-1/4" thick, specify thickness and order as 31-
Stile	4-1/2" (114mm) minimum stile width
Rail sizes as determined by door width	Rails are available in 4 sizes, use door width to determine size needed. Rails will be factory cut to size, if door width is supplied <ul style="list-style-type: none"> <li>• E Rail for 24" to 32" door widths, No cutting required for 32" door</li> <li>• F Rail for 33" to 36" door widths, No cutting required for 36" door</li> <li>• J Rail for 37" to 42" door widths, No cutting required for 42" door</li> <li>• G Rail for 43" to 48" door widths, No cutting required for 48" door</li> </ul>
Strike	C908 Standard Black Nylon Coated – ANSI Prep A115.1 Optional Strikes – 815 Open Back Strike or 908 Flat Lipped Strike with Black Nylon
Dogging Feature	Hex key dogging standard on non fired rated devices; specify 16- for cylinder dogging (#41 cylinder supplied)
Electric Options	AL- Alarm 53- LX Latchbolt Monitor 54- Outside Lever Monitoring 55- Request-to-Exit Signal - Rail Monitoring 56- Remote Latch Retraction 58- Electric Dogging 59- Electrogard – Self Contained Delayed Egress
Mounting Fasteners	Supplied standard with wood and machine screws Available with through-bolts and mortise(sex) nuts
Latch Bolt	Brass Nickel Plated, 3/4" (19mm) throw, anti-friction
Guarded/Deadlatch	Brass, sliding type
Device Centerline from Finished Floor	41" (1041 mm) for Standard Applications
Center Case Dimensions	8-5/16" (211mm) x 1-1/16" (27mm)
Projection	Pushbar Neutral – 3" (76mm) Pushbar Depressed – 2-1/8" (54mm)
Fire Exit Hardware	See Chart – Page 6

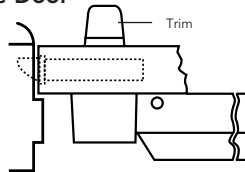
Copyright © 1998-2025, SARGENT Manufacturing Company. All rights reserved. Reproduction in whole or in part without the express written permission of SARGENT Manufacturing Company is prohibited. Patent pending and/or patent www.assaabloydss.com/patents.

### C908 Standard Strike

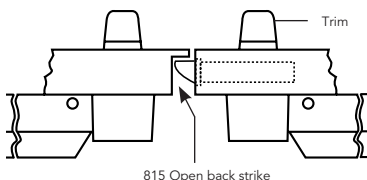
- Curved lip ANSI A-115.1
- Handed. 1-1/4" (32mm) lip standard
- Longer lips in increments of 1/4" (6mm) through 2-7/8" (73mm) available
- Black nylon coated



### Single Door

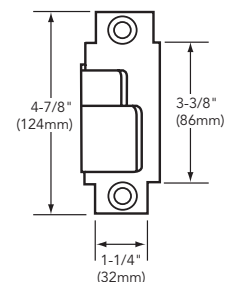


### Pair of Doors



815 Open back strike

### 815 Open Back Strike




- ANSI A-115.14 Open Back
- Beveled 1/8" (3mm) in 2" (51mm)
- Specify hand of active door
- Black nylon coat
- "B" label

# 8300 Narrow Design Mortise Lock Exit Device Functions & Trim

## 80 Series

**SARGENT**  
**ASSA ABLOY**

How to order: Options 11- Series 83 Function 13 Rail Lgth F Trim ETL Hand RHR Outside Finish 26D Inside Finish 32D Door Width 36"

700 Series ET Trim	SARGENT Function Numbers	ANSI Function Numbers	Description & Cylinder Info (1-3/4" Door)	ANSI Type 10 8300 Panic & Fire
 <p>Exits with ET Trim, specify lever design after the ET designation (e.g., ETL)</p> <p><b>Lever Designs for ET Controls</b> A, B, E, F, J, L, P, W Also available with Coastal Series &amp; Studio Collection Levers</p> <p><b>ET Designation with Suffix (Used to order ET without device)</b> 8300 Series: 704, 710, 713, 715, 740, 743, 744, 773, 774, 775 &amp; 776</p> <p><b>Freewheeling Trim</b> The lever rotates when the door is locked preventing excessive force from being applied to the horizontal lever</p> <p><b>Electrified ET Trim and Electrified Mortise Locks</b> Voltage must be specified for the following functions: 73, 74, 75 and 76. Specify: 12VDC or 24VDC</p>	04	03	Night Latch Key Retracts Latch #46 Cylinder Supplied	8304 x ET_
	10	01	No outside operation (No Cylinder)	8310
	10	02	No outside operation (No Cylinder) ET Control is used as Pull Only	8310 x ET_
	13	08	Key Outside Unlocks/locks Trim #41 Cylinder Supplied	8313 x ET_
	15	14	Passage Only (No cylinder)	8315 x ET_
	40	02	Freewheeling Trim - No outside operation (No Cylinder) Dummy Trim	8340 x ET_
	43	08	Freewheeling Trim - Key Outside Unlocks/locks Trim #41 Cylinder Supplied	8343 x ET_
	44	03	Freewheeling Trim - Key Retracts Latch For 1-3/4" Door #46 Cylinder Supplied	8344 x ET_
	75*		Electrified ET Trim - Fail Safe Power Off, Unlocks Lever, Key Retracts Latch For 1-3/4" Door #46 Cylinder Supplied	8375 x ET_
	76**		Electrified ET Trim - Fail Secure Power Off, Locks Lever, Key Retracts Latch For 1-3/4" Door #46 Cylinder Supplied	8376 x ET_

**Note:** Exit devices are available in all standard finishes, except 14, 15, 26 & 26D. With these finishes, exit devices are supplied in 32 or 32D to match accordingly. 32 or 32D is automatically supplied when 26 or 26D is specified. For nickel finishes, specify 14/32 or 15/32D to receive nickel finished trims and stainless exit devices  
\* 75 Function without cylinder is available as a 73 Function  
\*\* 76 Function without cylinder is available as a 74 Function

### Pull & Thumbpiece Trim Section

#### Trim designations

- Use three letter designations (Ex "PTB") when ordering the Exit Device with trim
- Use the six digit designation (Ex "866-MAL") when ordering trim without an Exit Device, always specify finish & hand

#### Series

SARGENT Function Numbers	ANSI Function Numbers	Description & Cylinder Info. (1-3/4" Door)	814-FLL	814-FLW	814-MAL	814-PTB	814-ST5	8300 Panic & Fire
04	03	Night Latch-Key Retracts Latch #41 Cylinder Supplied	814-FLL	814-FLW	814-MAL	814-PTB	814-ST5	8304 x Trim Designation
10	02	No O/S Operation or Cylinder (Pull Only)	810-FLL	810-FLW	810-MAL	810-PTB	810-ST5	8310 x Trim Designation
28	15	Passage Only (No cylinder)	828-FLL	828-FLW	828-MAL	828-PTB	828-ST5	8328 x Trim Designation
63	05	Key Outside Unlocks/locks Thumbpiece #41 Cylinder Supplied	866-FLL	866-FLW	866-MAL	866-PTB	866-ST5	8363 x Trim Designation

**Note:** Thumbpiece Trims used with Mortise Lock Exit Devices are handed  
**Note:** Thumbpiece trims for 63 function devices are identified as 66 function when trim is ordered separately  
**Note:** FLW trim is not available in 32(629) or 32D(630)  
**Note:** Pulls and thumb piece trims are not available in 14, 15, 26 or 26D

Experience a safer  
and more open world

1-800-727-5477 • www.sargentlock.com

Options
8300
<b>Mechanical Options:</b>
12- 16- 19- 23- *31 36- 37- 43- 53- 54- 55- 56- 56-HK- 58- 59- BC-59- 76- 85- 86- 87- AL- BT- LD- PL- *** SG-
<b>Cylinder Options:</b>
10- 10-21- 10-63- 11- 11-21- 11-60- 11-63- 11-64- 11-70-7P- 11-72-7P- 11-73-7P- 11-65-73-7P- 21- 51- 52- 60- 63- 64- 70- 72- 73- 65-73- 65-73-7P- 73-7P- 81- 82- F1-82- 83- F1-83- 84- BR- LC- *SC- *SE-

\* Options are not available with the following functions: 04, 44, 75 & 76  
\*\* For SC- & SE- options contact factory for availability  
\*\*\* Only available with 15, 26D and 32D finishes

Available Finishes	
SARGENT Finishes	BHMA Finishes
03	605
04	606
09	611
10	612
10B	613
10BE	613E
10BL	613L
14	618
15	619
20D	624
26	625
26D	626
32	629
32D	630
BSP	—
WSP	—

# MD8400 and NB-MD8400 Narrow Stile Concealed Vertical Rod Exit Device for Metal Doors

80 Series

**SARGENT**  
**ASSA ABLOY**

## MD8400 Series Concealed Vertical Rod Exit Device for Metal Doors

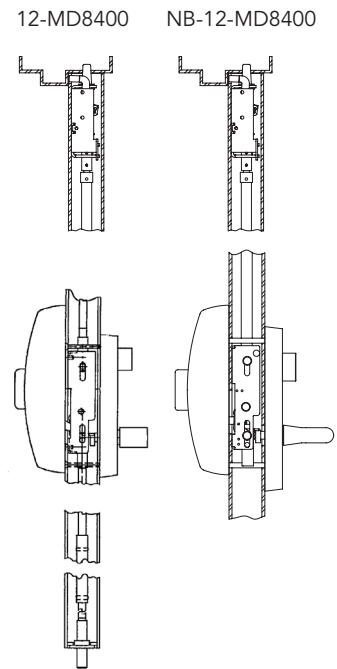


**Specifications for MD8400 &  
NB-MD8400 Exit**

## MD8400 & NB-MD8400 Features

- Designed for narrow stile applications (e.g., full glass doors)
- Concealed rods for security and aesthetics
- UL10C (Fire) and UL305 (Panic) listed
- Specify NB- for less bottom rod
- NB- Devices allows free access for wheelchairs and carts. No bottom strike eliminates tripping potential
- All functions determined by outside trim
- Devices are ANSI/BHMA A156.3 - Grade 1

Door Type	Hollow Metal Doors
Door Thickness	1-3/4" (44mm) minimum thickness. For doors over 1-3/4" to 2-1/4" thick, specify thickness and order as 31-
Cladding	Available for 1/4" on 1/2" panels. Specify 31- and panel thickness on order. Only available on 1-3/4" door thickness. Must be noted separately from door thickness on order string.
Stile	1-3/4" (44mm) minimum stile width required. Stile must be hollow with inside dimension of at least 1-3/8" (35mm) square
Rail sizes as determined by door width	Rails are available in 4 sizes, use door width to determine size needed. Rails will be factory cut to size, if door width is supplied <ul style="list-style-type: none"> <li>• E Rail for 24" to 32" door widths</li> <li>• F Rail for 33" to 36" door widths</li> <li>• J Rail for 37" to 42" door widths</li> <li>• G Rail for 43" to 48" door widths</li> </ul>
Strike	650 Top Strike & 606 Bottom Strike (Panic and Fire Rated)
Dogging Feature	Hex key dogging standard on non fired rated devices; specify 16- for cylinder dogging (#41 cylinder supplied)
Electric Options	AL- Alarm 53- LX Latchbolt Monitor 54- Outside Lever Monitoring 55- Request-to-Exit Signal - Rail Monitoring 56- Remote Latch Retraction 58- Electric Dogging 59- Electroguard – Self Contained Delayed Egress
Mounting Fasteners	Supplied standard with machine screws
Top Bolt	Stainless steel
Device Centerline from Finished Floor	41" (1041mm) for Standard Applications 38" (965mm) for elementary schools
Door/Opening Height	<b>Must be specified</b> - 120" (3048mm) Max Door Opening
Center Case Dimensions	8-3/8" (213mm) x 2-5/8" (67mm)
Projection	Pushbar Neutral – 3" (76 mm) Pushbar Depressed – 2-1/8" (54mm)
Fire Exit Hardware	See Chart – Page 6



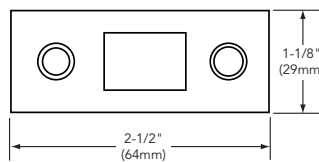
**Note:** MD8400 & 12-MD8400 can be used as NB- device by simply not installing the bottom rod/bolt  
**Note:** 12-NB applications require thermal pin. Thermal pin supplied when ordered as a 12-NB device

## 100 Series Aux Control

- Available as an 06 or 13 function
- Supplied with a SARGENT #41 Mortise Cylinder
- Can be used with any SARGENT Mortise Key System

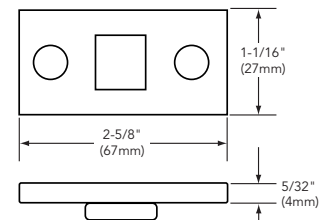


## 650 & 652 Strike Packs



- Stainless steel
- 650 & 652 Strike Packs contain the same strike
- 650 Strike Pack contains 1 strike for Top Bolt
- 652 Strike Pack contains 2 strikes for Top & Bottom

## 606 Bottom Strike (12-)



- Furnished with expansion shields
- Mortised into floor
- Stainless steel
- Bottom strike for 12-MD8400

Copyright © 1998-2025, SARGENT Manufacturing Company. All rights reserved. Reproduction in whole or in part without the express written permission of SARGENT Manufacturing Company is prohibited. Patent pending and/or patent www.assaabloydss.com/patents.

90641 07/25

# MD8400 and NB-MD8400 Functions and Trims for Metal Doors

## 80 Series

How to order: Options Series Function Rail Lgth Trim Hand Outside Finish Inside Finish Door Width Door Height AFF  
55- NB-MD84 13 F ETL RHR 26D 32D 36" 84" 41"

### 700 Series ET Trim



Exits with ET Trim, specify lever design after the ET designation (e.g., ETL)

### Lever Designs for ET Controls

A, B, E, F, J, L, P, W  
Also available with Coastal Series & Studio Collection Levers

### ET Designation with Suffix (Used to order ET without device)

MD8400 & NB-MD8400 Series: 706-4, 710-4, 713-4, 715-4, 740-4, 743-4, 746-4, 773-4, & 774-4

### Freewheeling Trim

The lever rotates when the door is locked preventing excessive force from being applied to the horizontal lever

### Electrified ET Trim

Voltage must be specified for the following functions: 73 and 74.  
Specify: 12VDC or 24VDC

SARGENT Function Numbers	ANSI Function Numbers	Description & Cylinder Info (1-3/4" Door)	ANSI Type 6 8400 Panic & Fire
06	09	Key unlocks Trim, Trim retracts latch/ Trim relocks when key is removed #41 Cylinder Supplied	MD8406 x ET_
10	01	No outside operation (No Cylinder)*	MD8410
10	02	No outside operation (No Cylinder)* ET Control is used as Pull Only	MD8410 x ET_
13	08	Key Outside Unlocks/locks Trim #41 Cylinder Supplied	MD8413 x ET_
15	14	Passage Only (No cylinder)	MD8415 x ET_
40	02	Freewheeling Trim - No outside operation (No Cylinder)* Dummy Trim	MD8440 x ET_
43	08	Freewheeling Trim - Key Outside Unlocks/locks Trim #41 Cylinder Supplied	MD8443 x ET_
46	09	Freewheeling Trim - Key unlocks Trim, Trim retracts latch/ Trim relocks when key is removed #41 Cylinder Supplied	MD8446 x ET_
73		Electrified ET Trim - Fail Safe Power Off, Unlocks Lever (No Cylinder)* Specify: 12VDC or 24VDC	MD8473 x ET_
74		Electrified ET Trim - Fail Secure Power Off, Locks Lever (No Cylinder)* Specify: 12VDC or 24VDC	MD8474 x ET_

**Note:** Exit devices are available in all standard finishes, except 14, 15, 26 & 26D. With these finishes, exit devices are supplied in 32 or 32D to match accordingly. 32 or 32D is automatically supplied when 26 or 26D is specified. For nickel finishes, specify 14/32 or 15/32D to receive nickel finished trims and stainless exit devices

**Note:** AFF means Above Finished Floor, center line of rail Above Finished Floor

\* Cylinder Override is available with a 106 Aux Control

Example Order: MD8473F 12V x ETMG x 106 x RHR x 32D x 36" w x 84" h

### 100 Series Auxiliary Control\* & 862 Pull



100 Series Aux. Control



862 Pull

SARGENT Function Numbers	ANSI Function Numbers	Description & Cylinder Info	MD8400 Panic & Fire
06	12	Key unlocks Turn, Turn retracts latch/ Turn relocks when key is removed #41 Cylinder Supplied	MD8410 x 106
10	02	862 Pull Only (Optional Pulls: 863 & 864)	MD8410 x 862 Pull
13	11	Key Outside Unlocks/locks Turn #41 Cylinder Supplied	MD8410 x 113

**Note:** When ordering MD8400 Series Exit Device x 100 Series Aux. Control, specify 10 Function for the exit.  
Example: MD8410F x 106 x RHR x 32D x 42" x 90"

Options MD8400
<b>Mechanical Options:</b>
12-
16-
19-
31-
36-
37-
43-
53-
54-
55-
56-
56-HK-
5LH-
58-
59-
BC-59-
76-
85-
86-
87-
AL-
BT-
CPC-
LD-
NB-
PL-
* SG-
<b>Cylinder Options:</b>
10-
10-21-
10-63-
11-
11-21-
11-60-
11-63-
11-64-
11-70-7P-
11-72-7P-
11-73-7P-
11-65-73-7P-
21-
51-
52-
60-
63-
64-
70-
72-
73-
65-73-
65-73-7P-
73-7P-
81-
82-
F1-82-
83-
F1-83-
84-
BR-
LC-
SC-
SE-

\* Only available with 15, 26D and 32D finishes

### Available Finishes

SARGENT Finishes	BHMA Finishes
03	605
04	606
09	611
10	612
10B	613
10BE	613E
10BL	613L
14	618
15	619
20D	624
26	625
26D	626
32	629
32D	630
BSP	—
WSP	—

# AD8400 and NB-AD8400 Narrow Stile Concealed Vertical Rod Exit Device for Aluminum Doors

80 Series

**SARGENT**  
**ASSA ABLOY**

## AD8400 Series

### Concealed Vertical Rod Exit Device for Aluminum Doors

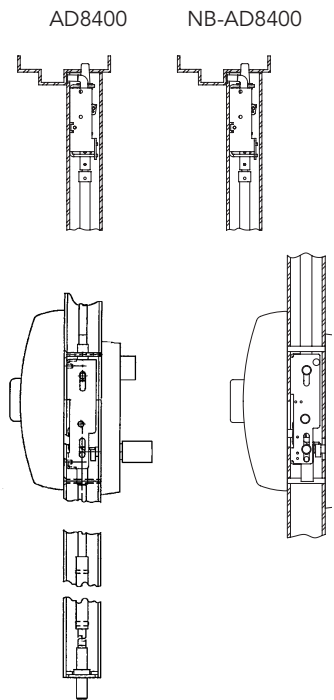


## AD8400 & NB-AD8400 Features

- Designed for narrow stile aluminum door applications (e.g., full glass doors)
- Concealed rods for security and aesthetics
- UL305 (Panic) listed
- Specify NB- for less bottom rod
- NB- device allows free access for wheelchairs and carts. No bottom strike eliminates tripping potential
- All functions determined by outside trim
- Devices are ANSI/BHMA A156.3 - Grade 1

### Specifications for AD8400 & NB-AD8400 Exit

Door Type	Hollow or extruded aluminum doors
Door Thickness	1-3/4" (44mm) minimum thickness. For doors over 1-3/4" to 2-1/4" thick, specify thickness and order as 31-
Cladding	Available for 1/4" on 1/2" panels. Specify 31- and panel thickness on order. Only available on 1-3/4" door thickness. Must be noted separately from door thickness on order string.
Stile	1-3/4" (44mm) minimum stile width required. Stile must be hollow with inside dimension of at least 1-3/8" (35mm) square
Rail sizes as determined by door width	Rails are available in 4 sizes, use door width to determine size needed. Rails will be factory cut to size, if door width is supplied <ul style="list-style-type: none"> <li>• E Rail for 24" to 32" door widths</li> <li>• F Rail for 33" to 36" door widths</li> <li>• J Rail for 37" to 42" door widths</li> <li>• G Rail for 43" to 48" door widths</li> </ul>
Strike	640 Strike for Top & Bottom
Dogging Feature	Hex key dogging standard on non fired rated devices; specify 16- for cylinder dogging (#41 cylinder supplied)
Electric Options	AL- Alarm 53- LX Latchbolt Monitor 54- Outside Lever Monitoring 55- Request-to-Exit Signal - Rail Monitoring 56- Remote Latch Retraction 58- Electric Dogging 59- Electroguard – Self Contained Delayed Egress
Mounting Fasteners	Supplied standard with machine screws
Top Bolt	Stainless steel
Device Centerline from Finished Floor	41" (1041mm) for Standard Applications 38" (965mm) for elementary schools
Door/Opening Height	<b>Must be specified</b> - 120" (3048mm) Max Door Opening
Center Case Dimensions	8-3/8" (213mm) x 2-5/8" (67mm)
Projection	Pushbar Neutral – 3" (76mm) Pushbar Depressed – 2-1/8" (54mm)
Fire Exit Hardware	Not Available



**Note:** AD8400 can be used as NB- Device by simply not installing the bottom rod/bolt

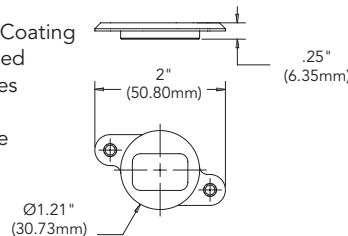
## 100 Series Aux Control

- Available as an 06 or 13 function
- Supplied with a SARGENT #41 Mortise Cylinder
- Can be used with any SARGENT Mortise Key System



## 639/640 Strike Kits

- Steel with Black Nylon Coating
- Machine Screws Supplied
- 640 Kit contains 2 strikes (Top & Bottom)
- 639 Kit contains 1 strike (Top Only)



Copyright © 1998-2025, SARGENT Manufacturing Company. All rights reserved. Reproduction in whole or in part without the express written permission of SARGENT Manufacturing Company is prohibited. Patent pending and/or patent www.assaabloydss.com/patents.

90641 07/25



# AD8400 and NB-AD8400

## Functions and Trims

### for Aluminum Doors

80 Series

**SARGENT**  
**ASSA ABLOY**

How to order: Options Series Function Rail Lgth Trim Hand Outside Finish Inside Finish Door Width Door Height AFF  
55- AD84 13 F ETL RHR 26D 32D 36" 84" 41"

#### 700 Series ET Trim



Exits with ET Trim, specify lever design after the ET designation (e.g., ETL)

#### Lever Designs for ET Controls

A, B, E, F, J, L, P, W  
Also available with Coastal Series & Studio Collection Levers

#### ET Designation with Suffix (Used to order ET without device)

8400 & NB-8400 Series: 706-4, 710-4, 713-4, 715-4, 740-4, 743-4, 746-4, 773-4, & 774-4

#### Freewheeling Trim

The lever rotates when the door is locked preventing excessive force from being applied to the horizontal lever

#### Electrified ET Trim

Voltage must be specified for the following functions: 73 and 74. Specify: 12VDC or 24VDC

SARGENT Function Numbers	ANSI Function Numbers	Description & Cylinder Info (1-3/4" Door)	ANSI Type 6 AD8400 Panic
06	09	Key unlocks Trim, Trim retracts latch/ Trim relocks when key is removed #41 Cylinder Supplied	AD8406 x ET_
10	01	No outside operation (No Cylinder)*	AD8410
10	02	No outside operation (No Cylinder)* ET Control is used as Pull Only	AD8410 x ET_
13	08	Key Outside Unlocks/locks Trim #41 Cylinder Supplied	AD8413 x ET_
15	14	Passage Only (No cylinder)	AD8415 x ET_
40	02	Freewheeling Trim - No outside operation (No Cylinder)* Dummy Trim	AD8440 x ET_
43	08	Freewheeling Trim - Key Outside Unlocks/locks Trim #41 Cylinder Supplied	AD8443 x ET_
46	09	Freewheeling Trim - Key unlocks Trim, Trim retracts latch/ Trim relocks when key is removed #41 Cylinder Supplied	AD8446 x ET_
73		Electrified ET Trim - Fail Safe Power Off, Unlocks Lever (No Cylinder)* Specify: 12VDC or 24VDC	AD8473 x ET_
74		Electrified ET Trim - Fail Secure Power Off, Locks Lever (No Cylinder)* Specify: 12VDC or 24VDC	AD8474 x ET_

**Note:** Exit devices are available in all standard finishes, except 14, 15, 26 & 26D. With these finishes, exit devices are supplied in 32 or 32D to match accordingly. 32 or 32D is automatically supplied when 26 or 26D is specified. For nickel finishes, specify 14/32 or 15/32D to receive nickel finished trims and stainless exit devices.

**Note:** AFF means Above Finished Floor, center line of rail Above Finished Floor

\* Cylinder Override is available with a 106 Aux Control

Example Order: AD8473F 12V x ETMG x 106 x RHR x 32D x 36" w x 84" h

#### 100 Series Auxiliary Control\* & 862 Pull



100 Series Aux. Control



862 Pull

SARGENT Function Numbers	ANSI Function Numbers	Description & Cylinder Info	AD8400 Panic
06	12	Key unlocks Turn, Turn retracts latch/ Turn relocks when key is removed #41 Cylinder Supplied	AD8410 x 106
10	02	862 Pull Only (Optional Pulls: 863 & 864)	AD8410 x 862 Pull
13	11	Key Outside Unlocks/locks Turn #41 Cylinder Supplied	AD8410 x 113

**Note:** When ordering 8400 Series Exit Device x 100 Series Aux. Control, specify 10 Function for the exit. Example: AD8410F x 106 x RHR x 32D x 42" x 90"

#### Options AD8400

##### Mechanical Options:

16-  
19-  
31-  
36-  
37-  
43-  
53-  
54-  
55-  
56-  
56-HK-  
5LH  
58-  
59-  
BC-59-  
76-  
85-  
86-  
87-  
AL-  
BT-  
CPC-  
LD-  
NB-  
PL-  
\* SG-

##### Cylinder Options:

10-  
10-21-  
10-63-  
11-  
11-21-  
11-60-  
11-63-  
11-64-  
11-70-7P-  
11-72-7P-  
11-73-7P-  
11-65-73-7P-  
21-  
51-  
52-  
60-  
63-  
64-  
70-  
72-  
73-  
65-73-  
65-73-7P-  
73-7P-  
81-  
82-  
F1-82-  
83-  
F1-83-  
84-  
BR-  
LC-  
SC-  
SE-

\* Only available with 15, 26D and 32D finishes

#### Available Finishes

SARGENT Finishes	BHMA Finishes
03	605
04	606
09	611
10	612
10B	613
10BE	613E
10BL	613L
14	618
15	619
20D	624
26	625
26D	626
32	629
32D	630
BSP	—
WSP	—

Experience a safer and more open world

1-800-727-5477 • www.sargentlock.com

33

Copyright © 1998-2025, SARGENT Manufacturing Company. All rights reserved. Reproduction in whole or in part without the express written permission of SARGENT Manufacturing Company is prohibited. Patent pending and/or patent www.assaabloydss.com/patents.

07/25

90641

# LP8600 & LR8600 Low Profile Center & Top Latch Concealed Vertical Rods for Pair of Doors & Double Egress

80 Series

**SARGENT**  
**ASSA ABLOY**



LP8600 Shown

## Specifications

Door Type	Factory prepped metal doors for LP & LR devices
Door Thickness	1-3/4" (44mm) doors only with 2-3/4" (70mm) backset
Stile	4-1/2" (114mm) minimum stile
Rail sizes as determined by door width	Rails are available in 3 sizes, use door width to determine size needed. <ul style="list-style-type: none"> <li>• L Rail for 36" door width no cutting required</li> <li>• M Rail for 42" to 44" door width no cutting required</li> <li>• N Rail - 46" to 48" door width no cutting required</li> </ul>
Strike	650 Top Strike (Panic and Fire Rated)
Dogging Feature	Hex key dogging standard on non fired rated devices; specify 16- for cylinder dogging (#41 cylinder supplied)
Electric Options	AL- Alarm 54- Outside Lever Monitoring 55- Request-to-Exit Signal - Rail Monitoring 56- Remote Latch Retraction 58- Electric Dogging
Mounting Fasteners	Supplied standard with machine screws
Top & Center Bolts	Stainless steel
Device Centerline from Finished Floor	41" (1041mm) for Standard Applications
Door/Opening Height	<b>Must be specified</b> - 120" (3048mm) Max Door Opening
Center Case Dimensions	8-3/8" (213mm) x 2-5/8" (67mm)
Projection	Pushbar Neutral – 1-1/2" (38mm) Pushbar Depressed – 5/8" (15mm)
Fire Exit Hardware	See Chart – Page 6

**How it works:** The mortise lock of the LP device has a stainless steel bolt which projects into the mortise lock of the LR device at the center of the door in addition to top bolts in each door.

## Pair of Doors



### Notes:

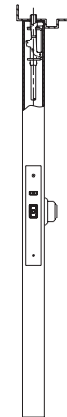
1. Available for 1-3/4" (44mm) thick doors only. No glass bead shim kits or inside panel condition permitted.
2. LS/LP/LR8600 are available in the following door sizes only: 36", 42", 44", 46" or 48" (914mm, 1067mm, 1118mm, 1168mm or 1219mm)

**Note:** The following hollow metal door manufacturers are equipped to reinforce and prepare their steel doors for the LS/LP/LR8600 Series Low Profile exit devices: CECO, CURRIES and FLEMING. Please check with any other hollow metal door manufacturers regarding their ability to properly reinforce and prepare their doors for these exit devices

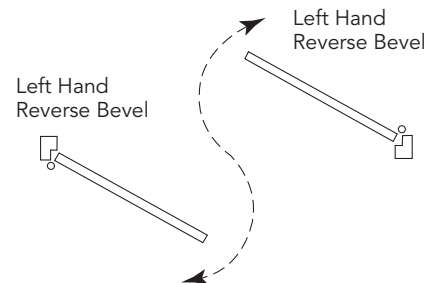
## Features

- The security of a stainless steel center bolt, two concealed top bolts and a low profile device for pairs of doors without bottom rod issues
- Devices are ANSI/BHMA A156.3 - Grade 1
- UL10C (Fire) and UL305 (Panic) listed
- 1-1/2" total projection from face of door
- Center and top latching
- No visible active chassis
- Center latchbolt adjustable for up to 3/8" (9mm) door gap
- Both doors are active. Either door can be opened or closed without affecting the other door. Open back strikes are not required
- Top case latchbolt projection adjustable through top case
- Tripping potential removed - no bottom strike
- All functions determined by outside trim (ET Trim only)
- Concealed rods for security and aesthetics

## LP8610 Side View



## Double Egress Application



Copyright © 1998-2025, SARGENT Manufacturing Company. All rights reserved. Reproduction in whole or in part without the express written permission of SARGENT Manufacturing Company is prohibited. Patent pending and/or patent www.assaabloydss.com/patents.

90641 07/25

# LP & LR8600 Functions & Trims for Pairs of Doors

## 80 Series

How to order: Options Series 55- LP86 Function 13 Rail Lgth F Trim ETL Hand RHR Outside 14 Finish Inside 32 Finish Door Width 36" Door Height 84" AFF 41"

### 700 Series ET Trim



Exits with ET Trim, specify lever design after the ET designation (e.g., ETL)

### Lever Designs for ET Controls

A, B, E, F, J, L, P, W  
Also available with Coastal Series & Studio Collection Levers

### ET Designation with Suffix (Used to order ET without device)

LP8600 & LR8600 Series: 706-6, 710-6, 713-6, 715-6, 740-6, 743-6, 746-6, 773-6 & 774-6

### Freewheeling Trim

The lever rotates when the door is locked preventing excessive force from being applied to the horizontal lever

### Electrified ET Trim

Voltage must be specified for the following functions: 73 and 74. Specify: 12VDC or 24VDC

**Note:** LP & LR Exit devices should be ordered in pairs, for correct operation; one device engages the other. For single door applications, order LS Device

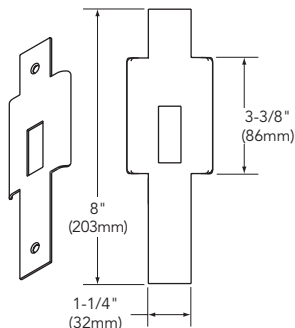
SARGENT Function Numbers	ANSI Function Numbers	Description & Cylinder Info (1-3/4" Door)	ANSI Type 2	
			LP8600 Panic & Fire	LR8600 Panic & Fire
06	09	Key unlocks Trim, Trim retracts latch/ Trim relocks when key is removed #41 Cylinder Supplied	LP8606 x ET_	LR8606 x ET_
10	01	No outside operation (No Cylinder)	LP8610	LR8610
10	02	No outside operation (No Cylinder) ET Control is used as Pull Only	LP8610 x ET_	LR8610 x ET_
13	08	Key Outside Unlocks/locks Trim #41 Cylinder Supplied	LP8613 x ET_	LR8613 x ET_
15	14	Passage Only (No cylinder)	LP8615 x ET_	LR8615 x ET_
40	02	Freewheeling Trim - No outside operation (No Cylinder) Dummy Trim	LP8640 x ET_	LR8640 x ET_
43	08	Freewheeling Trim - Key Outside Unlocks/locks Trim #41 Cylinder Supplied	LP8643 x ET_	LR8643 x ET_
46	09	Freewheeling Trim - Key unlocks Trim, Trim retracts latch/ Trim relocks when key is removed #41 Cylinder Supplied	LP8646 x ET_	LR8646 x ET_
73		Electrified ET Trim - Fail Safe Power Off, Unlocks Lever (No Cylinder)*	LP8673 x ET_	LR8673 x ET_
74		Electrified ET Trim - Fail Secure Power Off, Locks Lever (No Cylinder)*	LP8674 x ET_	LR8674 x ET_

**Note:** Exit devices are available in all standard finishes, except 14, 15, 26 & 26D. With these finishes, exit devices are supplied in 32 or 32D to match accordingly. 32 or 32D is automatically supplied when 26 or 26D is specified. For nickel finishes, specify 14/32 or 15/32D to receive nickel finished trims and stainless exit devices

**Note:** AFF means Above Finished Floor, center line of rail Above Finished Floor

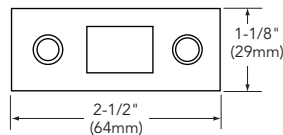
\* Cylinder override is not available with LP & LR 8600 Series Devices

### 68-1183 Double Lipped LR Mortise Front



- Standard for LR8600
- Stainless steel only

### 650 Top Strike



- For application in metal frames
- Stainless steel

Options	
LP & LR8600	
<b>Mechanical Options:</b>	
12-	
16-	
19-	
36-	
37-	
54-	
55-	
56-	
56-HK-	
58-	
76-	
85-	
86-	
87-	
AL-	
BT-	
CPC-	
LD-	
PL-	
* SG-	
<b>Cylinder Options:</b>	
10-	
10-21-	
10-63-	
11-	
11-21-	
11-60-	
11-63-	
11-64-	
11-70-7P-	
11-72-7P-	
11-73-7P-	
11-65-73-7P-	
21-	
51-	
52-	
60-	
63-	
64-	
70-	
72-	
73-	
65-73-	
65-73-7P-	
73-7P-	
81-	
82-	
F1-82-	
83-	
F1-83-	
84-	
BR-	
LC-	
SC-	
SE-	

\* Only available with 15, 26D and 32D finishes

### Available Finishes

SARGENT Finishes	BHMA Finishes
03	605
04	606
09	611
10	612
10B	613
10BE	613E
10BL	613L
14	618
15	619
20D	624
26	625
26D	626
32	629
32D	630
BSP	—
WSP	—

# LS8600 Low Profile Center & Top Latch Concealed Vertical Rod for Single Door Applications

80 Series

**SARGENT**  
**ASSA ABLOY**



**LS8600 Series**

## Features

- The security of a stainless steel center bolt, concealed top bolt and a low profile device for single doors without bottom rod issues
- Devices are ANSI/BHMA A156.3 - Grade 1
- UL10C (Fire) and UL305 (Panic) listed
- 1-1/2" total projection from face of door
- Center and top latching
- No visible active chassis
- Center latchbolt adjustable for up to 3/8" (9mm) door gap
- Top case latchbolt projection adjustable through top case
- Tripping potential removed - no bottom strike
- All functions determined by outside trim (ET Trim only)
- Concealed rods for security and aesthetics

## Specifications for LS8600 Series Exit

Door Type	Factory prepped metal doors for LP & LR devices
Door Thickness	1-3/4" (44mm) doors only with 2-3/4" (70mm) backset
Stile	4-1/2" (114mm) minimum stile width
Rail sizes as determined by door width	Rails are available in 3 sizes, use door width to determine size needed. <ul style="list-style-type: none"> <li>• L Rail for 36" door width no cutting required</li> <li>• M Rail for 42" to 44" door width no cutting required</li> <li>• N Rail - 46" to 48" door width no cutting required</li> </ul>
Strike	650 Top Strike & C7710 Mortise Strike (Panic and Fire Rated)
Dogging Feature	Hex key dogging standard on non fired rated devices; specify 16- for cylinder dogging (#41 cylinder supplied)
Electric Options	AL- Alarm 54- Outside Lever Monitoring 55- Request-to-Exit Signal - Rail Monitoring 56- Remote Latch Retraction 58- Electric Dogging
Mounting Fasteners	Supplied standard with machine screws
Top & Center Bolts	Stainless steel
Device Centerline from Finished Floor	41" (1041 mm) for Standard Applications
Door/Opening Height	<b>Must be specified</b> - 120" (3048mm) Max Door Opening
Center Case Dimensions	8-3/8" (213mm) x 2-5/8" (67mm)
Projection	Pushbar Neutral – 1-1/2" (38mm) Pushbar Depressed – 5/8" (15mm)
Fire Exit Hardware	See Chart – Page 6

**How it works:** The mortise lock of the LS device has a stainless steel bolt which projects into the door frame at the center of the door with the additional security of a concealed top bolt.

**Note:** The following hollow metal door manufacturers are equipped to reinforce and prepare their steel doors for the LS/LP/LR8600 Series Low Profile exit devices: CECO, CURRIES and FLEMING. Please check with any other hollow metal door manufacturers regarding their ability to properly reinforce and prepare their doors for these exit devices

## LS8610 Side View



### Notes:

1. Available for 1-3/4" (44mm) thick doors only. No glass bead shim kits or inside panel condition permitted.
2. LS/LP/LR8600 are available in the following door sizes only: 36", 42", 44", 46" or 48" (914mm, 1067mm, 1118mm, 1168mm or 1219mm)

Copyright © 1998-2025, SARGENT Manufacturing Company. All rights reserved. Reproduction in whole or in part without the express written permission of SARGENT Manufacturing Company is prohibited. Patent pending and/or patent www.assaabloydss.com/patents.

90641 07/25

# LS8600 Functions and Trims

## 80 Series

**How to order:** Options Series Function Rail Lgth Trim Hand Outside Finish Inside Finish Door Width Door Height AFF  
55- LP86 13 F ETL RHR 26D 32D 36" 84" 41"

### 700 Series ET Trim



Exits with ET Trim, specify lever design after the ET designation (e.g., ETL)

### Lever Designs for ET Controls

A, B, E, F, J, L, P, W  
Also available with Coastal Series & Studio Collection Levers

### ET Designation with Suffix (Used to order ET without device)

LS8600 Series: 706-6, 710-6, 713-6, 715-6, 740-6, 743-6, 746-6, 773-6 & 774-6

### Freewheeling Trim

The lever rotates when the door is locked preventing excessive force from being applied to the horizontal lever

### Electrified ET Trim

Voltage must be specified for the following functions: 73 and 74. Specify: 12VDC or 24VDC

SARGENT Function Numbers	ANSI Function Numbers	Description & Cylinder Info (1-3/4" Door)	ANSI Type 12 LS8600 Panic & Fire
06	09	Key unlocks Trim, Trim retracts latch/ Trim relocks when key is removed #41 Cylinder Required & Supplied	LS8606 x ET_
10	01	No outside operation (No Cylinder)	LS8610
10	02	No outside operation (No Cylinder) ET Control is used as Pull Only	LS8610 x ET_
13	08	Key Outside Unlocks/locks Trim #41 Cylinder Required & Supplied	LS8613 x ET_
15	14	Passage Only (No cylinder)	LS8615 x ET_
40	02	Freewheeling Trim - No outside operation (No Cylinder) Dummy Trim	LS8640 x ET_
43	08	Freewheeling Trim - Key Outside Unlocks/locks Trim #41 Cylinder Supplied	LS8643 x ET_
46	09	Freewheeling Trim - Key unlocks Trim, Trim retracts latch/ Trim relocks when key is removed #41 Cylinder Required & Supplied	LS8646 x ET_
73		Electrified ET Trim - Fail Safe Power Off, Unlocks Lever (No Cylinder)*	LS8673 x ET_
74		Electrified ET Trim - Fail Secure Power Off, Locks Lever (No Cylinder)*	LS8674 x ET_

**Note:** Exit devices are available in all standard finishes, except 14, 15, 26 & 26D. With these finishes, exit devices are supplied in 32 or 32D to match accordingly. 32 or 32D is automatically supplied when 26 or 26D is specified. For nickel finishes, specify 14/32 or 15/32D to receive nickel finished trims and stainless exit devices

**Note:** AFF means Above Finished Floor, center line of rail Above Finished Floor

\* Cylinder override is not available with LP 8700 Series Devices

Options
LS8600
<b>Mechanical Options:</b>
12-
16-
19-
36-
37-
54-
55-
56-
56-HK-
58-
76-
85-
86-
87-
AL-
BT-
CPC-
LD-
PL-
* SG-
<b>Cylinder Options:</b>
10-
10-21-
10-63-
11-
11-21-
11-60-
11-63-
11-64-
11-70-7P-
11-72-7P-
11-73-7P-
11-65-73-7P-
21-
51-
52-
60-
63-
64-
70-
72-
73-
65-73-
65-73-7P-
73-7P-
81-
82-
F1-82-
83-
F1-83-
84-
BR-
LC-
SC-
SE-

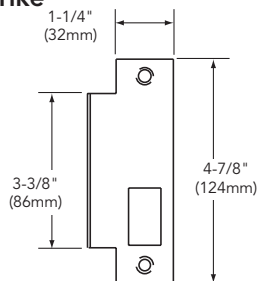
\* Only available with 15, 26D and 32D finishes

Copyright © 1998-2025, SARGENT Manufacturing Company. All rights reserved. Reproduction in whole or in part without the express written permission of SARGENT Manufacturing Company is prohibited. Patent pending and/or patent www.assaabloydss.com/patents.

07/25

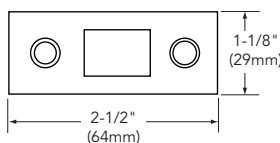
90641

### C7710 Mortise Centercase Strike



- Standard for LS8600
- Handed
- Stainless steel only

### 650 Top Strike



- For application in metal frames
- Stainless steel
- Top strike for Panic & Fire Rated

### Available Finishes

SARGENT Finishes	BHMA Finishes
03	605
04	606
09	611
10	612
10B	613
10BE	613E
10BL	613L
14	618
15	619
20D	624
26	625
26D	626
32	629
32D	630
BSP	—
WSP	—

Experience a safer and more open world

1-800-727-5477 • www.sargentlock.com

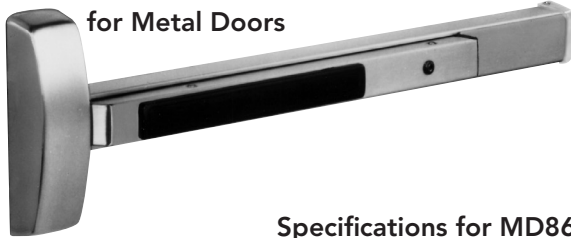
# MD8600 (Hurricane-Resistant) Concealed Vertical Rod Exit Device for Metal Doors



**SARGENT**  
**ASSA ABLOY**

80 Series

## MD8600 Series Concealed Vertical Rod Exit Device for Metal Doors



### Features

- Designed for standard width stile applications on hollow metal doors
- Concealed rods for security and aesthetics
- Single and double door applications
- Devices are ANSI/BHMA A156.3 - Grade 1
- UL10C (Fire) and UL305 (Panic) listed

### Specifications for MD8600 Series Exit

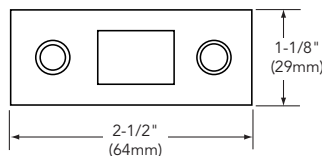
Door Type	Metal Doors
Door Thickness	1-3/4" (44mm) minimum thickness. For doors over 1-3/4" to 2-1/4" thick, specify thickness and order as 31-
Cladding	Available for 1/4" on 1/2" panels. Specify 31- and panel thickness on order. Only available on 1-3/4" door thickness. Must be noted separately from door thickness on order string.
Stile	4-1/2" (114mm) minimum stile width
Rail sizes as determined by door width	Rails are available in 4 sizes, use door width to determine size needed. Rails will be factory cut to size, if door width is supplied <ul style="list-style-type: none"> <li>• E Rail for 24" to 32" door widths, No cutting required for 32" door</li> <li>• F Rail for 33" to 36" door widths, No cutting required for 36" door</li> <li>• J Rail for 37" to 42" door widths, No cutting required for 42" door</li> <li>• G Rail for 43" to 48" door widths, No cutting required for 48" door</li> </ul>
Strike	650 Top Strike & 606 Bottom Strike (Panic and Fire Rated)
Dogging Feature	Hex key dogging standard on non fired rated devices; specify 16- for cylinder dogging (#41 cylinder supplied)
Electric Options	AL- Alarm 53- LX Latchbolt Monitor 54- Outside Lever Monitoring 55- Request-to-Exit Signal - Rail Monitoring 56- Remote Latch Retraction 58- Electric Dogging 59- Electrogard – Self Contained Delayed Egress
Mounting Fasteners	Supplied standard with machine screws
Top Bolt	Stainless steel
Device Centerline from Finished Floor	41" (1041mm) for Standard Applications 38" (965mm) for elementary schools
Door/Opening Height	<b>Must be specified</b> - 120" (3048mm) Max Door Opening 96" max door height for HC and WS options
Center Case Dimensions	8-3/8" (213mm) x 2-5/8" (67mm)
Projection	Pushbar Neutral – 3" (76mm) Pushbar Depressed – 2-1/8" (54mm)
Fire Exit Hardware	See Chart – Page 6

#### Notes:

- MD8600 & 12-MD8600 can be used as NB- Device by simply not installing the bottom rod/bolt.
- 12-NB Applications require thermal pin. Thermal Pin supplied when ordered as a 12-NB Device.
- Must include "HC" option in the order string to specify Hurricane Resistant product.

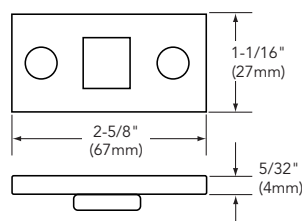
### 100 Series Aux Control 650 Top Strike

- Available as an 06 or 13 function
- Supplied with a SARGENT #41 Mortise Cylinder
- Can be used with any SARGENT Mortise Key System



- For application in hollow metal frames
- Stainless steel nylon coated

### 606 Bottom Strike



- Furnished with expansion shields
- Mortised into floor
- Stainless steel

Copyright © 1998-2025, SARGENT Manufacturing Company. All rights reserved. Reproduction in whole or in part without the express written permission of SARGENT Manufacturing Company is prohibited. Patent pending and/or patent www.assaabloydss.com/patents.

90641 07/25

**38**

1-800-727-5477 • www.sargentlock.com

Experience a safer  
and more open world

# MD8600 Functions and Trims for Metal Doors



**SARGENT**  
**ASSA ABLOY**

## 80 Series

**How to order:** Options 59- Series MD86 Function 13 Rail Lgth F Trim ETL Hand RHR Outside Finish 03 Inside Finish 03 Door Width 36" Door Height 84" AFF 41"

### 700 Series ET Trim



Exits with ET Trim, specify lever design after the ET designation (e.g., ETL)

### Lever Designs for ET Controls

A, B, E, F, J, L, P, W  
Also available with Coastal Series & Studio Collection Levers

### ET Designation with Suffix (Used to order ET without device)

MD8600 Series:  
706-4, 710-4, 713-4, 715-4, 740-4, 743-4, 746-4, 773-4, & 774-4

### Freewheeling Trim

The lever rotates when the door is locked preventing excessive force from being applied to the horizontal lever

### Electrified ET Trim

Voltage must be specified for the following functions: 73 and 74.  
Specify: 12VDC or 24VDC

SARGENT Function Numbers	ANSI Function Numbers	Description & Cylinder Info (1-3/4" Door)	ANSI Type 8 MD8600 Panic & Fire
06	09	Key unlocks Trim, Trim retracts latch/ Trim relocks when key is removed #41 Cylinder Supplied	MD8606 x ET_
10	01	No outside operation (No Cylinder)*	MD8610
10	02	No outside operation (No Cylinder)* ET Control is used as Pull Only	MD8610 x ET_
13	08	Key Outside Unlocks/locks Trim #41 Cylinder Supplied	MD8613 x ET_
15	14	Passage Only (No cylinder)	MD8615 x ET_
40	02	Freewheeling Trim - No outside Operation (No Cylinder)* Dummy Trim	MD8640 x ET_
43	08	Freewheeling Trim - Key Outside Unlocks/locks Trim #41 Cylinder Supplied	MD8643 x ET_
46	09	Freewheeling Trim - Key unlocks Trim, Trim retracts latch/ Trim relocks when key is removed #41 Cylinder Supplied	MD8646 x ET_
73		Electrified ET Trim - Fail Safe Power Off, Unlocks Lever (No Cylinder)*	MD8673 x ET_
74		Electrified ET Trim - Fail Secure Power Off, Locks Lever (No Cylinder)*	MD8674 x ET_

**Note:** Exit devices are available in all standard finishes, except 14, 15, 26 & 26D. With these finishes, exit devices are supplied in 32 or 32D to match accordingly. 32 or 32D is automatically supplied when 26 or 26D is specified. For nickel finishes, specify 14/32 or 15/32D to receive nickel finished trims and stainless exit devices

**Note:** AFF means Above Finished Floor, center line of rail Above Finished Floor

\* Cylinder Override is available with a 106 Aux Control

Example Order: MD8673F 12V x ETMG x 106 x RHR x 32D x 36" w x 84" h

### 100 Series Auxiliary Control\* & 862 Pull



100 Series Aux. Control



862 Pull

SARGENT Function Numbers	ANSI Function Numbers	Description & Cylinder Info (1-3/4" Door)	MD8600 Panic & Fire
06	12	Key unlocks Turn, Turn retracts latch/ Turn relocks when key is removed #41 Cylinder Supplied	MD8610 x 106
10	02	862 Pull Only (Optional Pulls: 863 & 864)	MD8610 x 862 Pull
13	11	Key Outside Unlocks/locks Turn #41 Cylinder Supplied	MD8610 x 113

**Note:** When ordering MD8600 Series Exit Device x 100 Series Aux. Control, specify 10 Function for the exit.  
Example: MD8610F x 106 x RHR x 32D x 42" x 90"

Options
MD8600
<b>Mechanical Options:</b>
12- 16- 19- 31- 36- 37- 43- 53- 54- 55- 56- 56-HK- 5LH- 58- 59- BC-59- 76- 77- 85- 86- 87- AL- BT- CPC- HC- LD- PL- * SG- WS-
<b>Cylinder Options:</b>
10- 10-21- 10-63- 11- 11-21- 11-60- 11-63- 11-64- 11-70-7P- 11-72-7P- 11-73-7P- 11-65-73-7P- 21- 51- 52- 60- 63- 64- 70- 72- 73- 65-73- 65-73-7P- 73-7P- 81- 82- F1-82- 83- F1-83- 84- BR- LC- SC- SE-

\* Only available with 15, 26D and 32D finishes

### Available Finishes

SARGENT Finishes	BHMA Finishes
03	605
04	606
09	611
10	612
10B	613
10BE	613E
10BL	613L
14	618
15	619
20D	624
26	625
26D	626
32	629
32D	630
BSP	—
WSP	—

Experience a safer and more open world

1-800-727-5477 • www.sargentlock.com

39

Copyright © 1998-2025, SARGENT Manufacturing Company. All rights reserved. Reproduction in whole or in part without the express written permission of SARGENT Manufacturing Company is prohibited. Patent pending and/or patent www.assaabloydss.com/patents.

07/25 90641

# UL Listed Hurricane-Resistant HC8800 Rim Exit Device

80 Series



**SARGENT**  
**ASSA ABLOY**

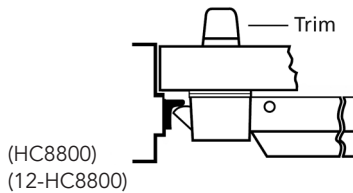
## HC8800 Series Rim Exit Device



### HC8800, 12-HC8800 Series Rim Exit Device

- Chassis: ductile iron
- Requires 2 chassis shims and 2 end bracket shims included with the exit device
- Additional information on HC980 Mullions available in Mullion Section of this catalog

### Single Door



### Features

- Designed for standard width stile applications on metal doors. For doors 1-3/4" (44mm) thick.
- Devices are ANSI/BHMA A156.3 - Grade 1
- UL10C (Fire) and UL305 (Panic) listed

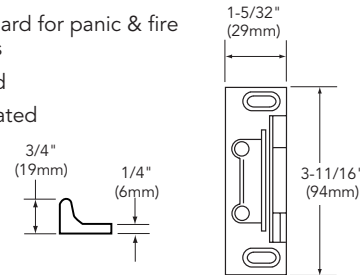
Rails are available in 4 sizes, use door width to determine size needed. Rails will be factory cut to size, if door width is supplied

- E Rail for 24" to 32" door widths, No cutting required for 32" door
- F Rail for 33" to 36" door widths, No cutting required for 36" door
- J Rail for 37" to 42" door widths, No cutting required for 42" door
- G Rail for 43" to 48" door widths, No cutting required for 48" door

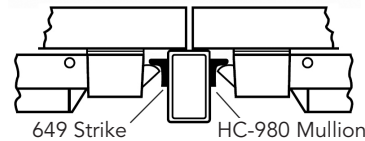
**Note:** For additional information on 8800 Series, see page 9

### 649 Strike

- Supplied standard for panic & fire rated openings
- Surface applied
- Black nylon coated



### Double Door HC-8800 with HC-980 Mullion



Copyright © 1998-2025, SARGENT Manufacturing Company. All rights reserved. Reproduction in whole or in part without the express written permission of SARGENT Manufacturing Company is prohibited. Patent pending and/or patent www.assaabloydss.com/patents.




# UL Listed Hurricane-Resistant HC8800 Functions and Trims

## 80 Series



**SARGENT**  
**ASSA ABLOY**

How to order:	Options 12	Series HC88	Function 13	Rail Lgth F	Trim ETL	Hand RHR	Outside Finish 15	Inside Finish 32D	Door Width 36"	Options for HC8800
<b>700 Series ET Trim</b>										
	Exits with ET Trim, specify lever design after the ET designation (e.g., ETL)									
<b>SARGENT Function Numbers</b>	<b>ANSI Function Numbers</b>	<b>Description &amp; Cylinder Info (1-3/4" Door)</b>						<b>ANSI Type 1 HC8800 Panic &amp; Fire</b>		
04	03	Night Latch Key Retracts Latch #34 Cylinder Supplied						HC8804 x ET_		
06	09	Key unlocks Trim, Trim retracts latch/ Trim relocks when key is removed #41 Cylinder Supplied						HC8806 x ET_		
10	01	No outside operation (No Cylinder)						HC8810		
10	02	No outside operation (No Cylinder) ET Control is used as Pull Only						HC8810 x ET_		
13	08	Key Outside Unlocks/locks Trim #41 Cylinder Supplied						HC8813 x ET_		
15	14	Passage Only (No cylinder)						HC8815 x ET_		
40	02	Freewheeling Trim - No outside operation (No Cylinder) Dummy Trim						HC8840 x ET_		
43	08	Freewheeling Trim - Key Outside Unlocks/locks Trim #41 Cylinder Supplied						HC8843 x ET_		
44	03	Freewheeling Trim - Key Retracts Latch #34 Cylinder Supplied						HC8844 x ET_		
46	09	Freewheeling Trim - Key unlocks Trim, Trim retracts latch/ Trim relocks when key is removed #41 Cylinder Supplied						HC8846 x ET_		
75*		Electrified ET Trim - Fail Safe Power Off, Unlocks Lever, Key Retracts Latch #34 Cylinder Supplied						HC8875 x ET_		
76**		Electrified ET Trim - Fail Secure Power Off, Locks Lever, Key Retracts Latch #34 Cylinder Supplied						HC8876 x ET_		

### Lever Designs for ET Controls

A, B, E, F, J, L, P, W  
Also available with Coastal Series & Studio Collection Levers

### ET Designation with Suffix (Used to order ET without device)

HC-8800 Series: 704, 706-8, 710, 713-8, 715-8, 740, 743-8, 744, 746-8, 773-8, 774-8, 775-8 & 776-8

### Freewheeling Trim

The lever rotates when the door is locked preventing excessive force from being applied to the horizontal lever

### Electrified ET Trim

Voltage must be specified for the following functions: 73, 74, 75 and 76.  
Specify: 12VDC or 24VDC

Mechanical Options:
12-
16-
19-
31-
36-
37-
43-
54-
55-
56-
56-HK-
58-
76-
85-
86-
87-
BT-
CPC-
LD-
PL-
*SG-
TB-
Cylinder Options:
10-
10-21-
10-63-
11-
11-21-
11-60-
11-63-
11-64-
11-70-7P-
11-72-7P-
11-73-7P-
11-65-73-7P-
21-
51-
52-
60-
63-
64-
70-
72-
73-
65-73-
65-73-7P-
73-7P-
81-
82-
F1-82-
83-
F1-83-
84-
BR-
LC-
SC-
SE-

\* Only available with 15, 26D and 32D finishes







**Note:** Exit devices are available in all standard finishes, except 14, 15, 26 & 26D. With these finishes, exit devices are supplied in 32 or 32D to match accordingly. 32 or 32D is automatically supplied when 26 or 26D is specified. For nickel finishes, specify 14/32 or 15/32D to receive nickel finished trims and stainless exit devices

• 75 Function without cylinder is available as a 73 Function  
\*\* 76 Function without cylinder is available as a 74 Function

### Trim Designations

- Use three letter designations (Ex "PTB") when ordering the Exit Device with Trim
- Use the six digit designation (Ex "814-MSL") when ordering trim without an Exit Device, always specify finish

### Pull Section

SARGENT Function Numbers	ANSI Function Numbers	Description & Cylinder Info. (1-3/4" Door)						
04	03	Night Latch-Key Retracts Latch #34 Cylinder Supplied	814-FSL*	814-FSW*	814-MSL*	814-PSB*	814-STL	HC8804 x Trim Designation
10	02	No O/S Operation or Cylinder (Pull Only)	810-FLL	810-FLW	810-MAL	810-PTB	810-STL	HC8810 x Trim Designation

\* FSL, FSW, MSL and PSB trims are used with (HC-& 12-) 8888 and 8804 only and are the same as FLL, FLW, MAL and PTB pulls except for cylinder hole located 3/8" (9mm) lower

**Note:** FLW & FSW trims are not available in 32(629) or 32D(630)

**Note:** Pulls and thumb piece trims are not available in 14, 15, 26 or 26D

Experience a safer  
and more open world

### Available Finishes

SARGENT Finishes	BHMA Finishes
03	605
04	606
09	611
10	612
10B	613
10BE	613E
10BL	613L
14	618
15	619
20D	624
26	625
26D	626
32	629
32D	630
BSP	—
WSP	—

# UL Listed Hurricane-Resistant WS8800 Rim Exit Device

80 Series



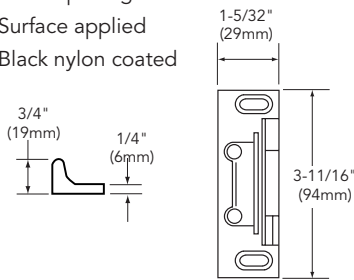
**SARGENT**  
**ASSA ABLOY**

## WS8800 Series Rim Exit Device



### 649 Strike

- Supplied standard for panic & fire rated openings
- Surface applied
- Black nylon coated



### Features

- WS 8800 available for single hollow metal door applications for 1-3/4" thick door, 3'0" x 7'0" max, with 6" min stile
- Devices are ANSI/BHMA A156.3 - Grade 1
- UL305 (Panic) Listed

WS8800 rails are available in 2 sizes, use door width to determine size needed. Rails will be factory cut to size, if door width is supplied

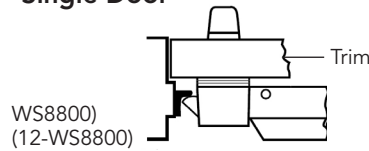
- E Rail for 24" to 32" door widths, No cutting required for 32" door
- F Rail for 33" to 36" door widths, No cutting required for 36" door

**Note:** For additional information on 8800 Series, see page 9

### WS8800, 12-WS8800 Series Rim Exit Device

- Chassis: Non Fire Rated - Nonferrous alloy
- Requires 3 chassis shims and 3 end bracket shims included with the exit device

### Single Door




Copyright © 1998-2025, SARGENT Manufacturing Company. All rights reserved. Reproduction in whole or in part without the express written permission of SARGENT Manufacturing Company is prohibited. Patent pending and/or patent www.assaabloydss.com/patents.

# UL Listed Hurricane-Resistant WS8800 Functions and Trims

## 80 Series



**SARGENT**  
**ASSA ABLOY**

How to order:	Options 12	Series WS88	Function 13	Rail Lgth F	Trim ETL	Hand RHR	Outside Finish 15	Inside Finish 32D	Door Width 36"	Options for HC8800 &WS8800
<b>700 Series ET Trim</b>										
	Exits with ET Trim, specify lever design after the ET designation (e.g., ETL)									
<b>SARGENT Function Numbers</b>	<b>ANSI Function Numbers</b>	<b>Description &amp; Cylinder Info (1-3/4" Door)</b>						<b>ANSI Type 1 WS8800 Panic &amp; Fire</b>		
04	03	Night Latch Key Retracts Latch #34 Cylinder Supplied						WS8804 x ET_		
06	09	Key unlocks Trim, Trim retracts latch/ Trim relocks when key is removed #41 Cylinder Supplied						WS8806 x ET_		
10	01	No outside operation (No Cylinder)						WS8810		
10	02	No outside operation (No Cylinder) ET Control is used as Pull Only						WS8810 x ET_		
13	08	Key Outside Unlocks/locks Trim #41 Cylinder Supplied						WS8813 x ET_		
15	14	Passage Only (No cylinder)						WS8815 x ET_		
40	02	Freewheeling Trim - No outside Operation (No Cylinder) Dummy Trim						WS8840 x ET_		
43	08	Freewheeling Trim - Key Outside Unlocks/locks Trim #41 Cylinder Supplied						WS8843 x ET_		
44	03	Freewheeling Trim - Key Retracts Latch #34 Cylinder Supplied						WS8844 x ET_		
46	09	Freewheeling Trim - Key unlocks Trim, Trim retracts latch/ Trim relocks when key is removed #41 Cylinder Supplied						WS8846 x ET_		
75*		Electrified ET Trim - Fail Safe Power Off, Unlocks Lever, Key Retracts Latch #34 Cylinder Supplied						WS8875 x ET_		
76**		Electrified ET Trim - Fail Secure Power Off, Locks Lever, Key Retracts Latch #34 Cylinder Supplied						WS8876 x ET_		

### Lever Designs for ET Controls

A, B, E, F, J, L, P, W  
Also available with Coastal Series & Studio Collection Levers

### ET Designation with Suffix (Used to order ET without device)

HC-8800 Series: 704, 706-8, 710, 713-8, 715-8, 740, 743-8, 744, 746-8, 773-8, 774-8, 775-8 & 776-8

### Freewheeling Trim

The lever rotates when the door is locked preventing excessive force from being applied to the horizontal lever

### Electrified ET Trim

Voltage must be specified for the following functions: 73, 74, 75 and 76.  
Specify: 12VDC or 24VDC

Mechanical Options:
12-
16-
19-
31-
36-
37-
43-
54-
55-
56-
56-HK-
58-
76-
85-
86-
87-
BT-
CPC-
LD-
PL-
*SG-
TB-
Cylinder Options:
10-
10-21-
10-63-
11-
11-21-
11-60-
11-63-
11-64-
11-70-7P-
11-72-7P-
11-73-7P-
11-65-73-7P-
21-
51-
52-
60-
63-
64-
70-
72-
73-
65-73-
65-73-7P-
73-7P-
81-
82-
F1-82-
83-
F1-83-
84-
BR-
LC-
SC-
SE-







**Note:** Exit devices are available in all standard finishes, except 14, 15, 26 & 26D. With these finishes, exit devices are supplied in 32 or 32D to match accordingly. 32 or 32D is automatically supplied when 26 or 26D is specified. For nickel finishes, specify 14/32 or 15/32D to receive nickel finished trims and stainless exit devices  
\* 75 Function without cylinder is available as a 73 Function  
\*\* 76 Function without cylinder is available as a 74 Function

\* Only available with 15, 26D and 32D finishes

### Trim Designations

- Use three letter designations (Ex "PTB") when ordering the Exit Device with trim
- Use the six digit designation (Ex "810-MAL") when ordering trim without an Exit Device, always specify finish

### Pull Section

SARGENT Function Numbers	ANSI Function Numbers	Description & Cylinder Info. (1-3/4" Door)							Series WS800 Panic & Fire
04	03	Night Latch-Key Retracts Latch #34 Cylinder Supplied	814-FSL*	814-FSW*	814-MSL*	814-PSB*	814-STB	814-STC	WS8804 x Trim Designation
10	02	No O/S Operation or Cylinder (Pull Only)	810-FLL	810-FLW	810-MAL	810-PTB	810-STB	810-STC	WS8810 x Trim Designation

\* FSL, FSW, MSL and PSB trims are used with (HC-& 12-) 8888 and 8804 only and are the same as FLL, FLW, MAL and PTB pulls except for cylinder hole located 3/8" (9mm) lower  
**Note:** FLW & FSW trims are not available in 32(629) or 32D(630)  
**Note:** Pulls and thumb piece trims are not available in 14, 15, 26 or 26D

Experience a safer  
and more open world

SARGENT Finishes	BHMA Finishes
03	605
04	606
09	611
10	612
10B	613
10BE	613E
10BL	613L
14	618
15	619
20D	624
26	625
26D	626
32	629
32D	630
BSP	—
WSP	—

1-800-727-5477 • www.sargentlock.com

43

Copyright © 1998-2025, SARGENT Manufacturing Company. All rights reserved. Reproduction in whole or in part without the express written permission of SARGENT Manufacturing Company is prohibited. Patent pending and/or patent www.assaabloydss.com/patents.

07/25 90641

# UL Listed Hurricane-Resistant WS8900 Mortise Lock Exit Device



**SARGENT**  
**ASSA ABLOY**

80 Series

## WS8900 Series Mortise Lock Exit Device



### Features

- WS8900 available for Single Hollow Metals Doors applications for 1-3/4" Thick door, 3'0" x 7'0" Max. Door with 6" Min Stile
- Requires 4 chassis shims and 4 end bracket shims to be included with exit device
- Devices are ANSI/BHMA A156.3 - Grade 1
- UL305 (Panic) Listed

WS8900 rails are available in 2 sizes, use door width to determine size needed. Rails will be factory cut to size, if door width is supplied

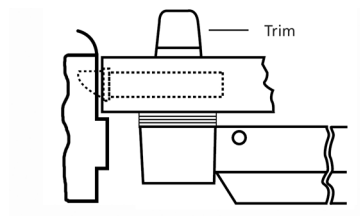
- E Rail for 24" to 32" door widths, No cutting required for 32" door
- F Rail for 33" to 36" door widths, No cutting required for 36" door

**Note:** For additional information on 8900 Series and Windstorm Ratings for the standard 8900 Series, see page 13

### Single Door

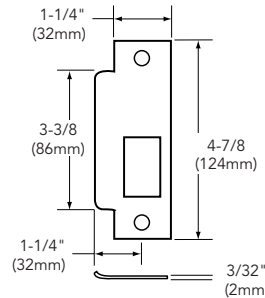
#### WS8900, 12-WS8900 Series Mortise Exit Device

- Requires 4 chassis shims and 4 end bracket shims included with the exit device



### C908 Standard Strike

- Curved lip ANSI A-115.1
- Handed. 1-1/4" (32mm) lip standard
- Longer lips in increments of 1/4" (6mm) through 2-7/8" (73mm) available
- Black nylon coated



Copyright © 1998-2025, SARGENT Manufacturing Company. All rights reserved. Reproduction in whole or in part without the express written permission of SARGENT Manufacturing Company is prohibited. Patent pending and/or patent www.assaabloydss.com/patents.

# UL Listed Hurricane-Resistant WS8900 Functions and Trims

## 80 Series



**SARGENT**  
**ASSA ABLOY**

**How to order:** Options 11-63- Series WS89 Function 13 Rail Lgth F Trim ETL Hand RHR Outside Finish 14 Inside Finish 32 Door Width 36"

### 700 Series ET Trim



Exits with ET Trim, specify lever design after the ET designation (e.g., ETL)

### Lever Designs for ET Controls

A, B, E, F, J, L, P, W  
Also available with Coastal Series & Studio Collection Levers

### ET Designation with Suffix (Used to order ET without device)

WS8900 Series: 704, 706, 710, 713, 715, 716, 740, 743, 744, 773, 774, 775 & 776

### Freewheeling Trim

The lever rotates when the door is locked preventing excessive force from being applied to the horizontal lever

### Electrified ET Trim and Electrified Mortise Locks

Voltage must be specified for the following functions: 73, 74, 75 and 76.

Specify: 12VDC or 24VDC

SARGENT Function Numbers	ANSI Function Numbers	Description & Cylinder Info (1-3/4" Door)	WS8900 Panic & Fire
04	03	Night Latch Key Retracts Latch #46 Cylinder Supplied	WS8904 x ET_
06	09	Key unlocks Trim, Trim retracts Latch/ Trim relocks when key is removed #41 Cylinder Supplied	WS8906 x ET_
10	01	No outside operation (No Cylinder)	WS8910
10	02	No outside operation (No Cylinder) ET Control is used as Pull Only	WS8910 x ET_
13	08	Key Outside Unlocks/locks Trim #41 Cylinder Supplied	WS8913 x ET_
15	14	Passage Only (No cylinder)	WS8915 x ET_
16	10	Key Outside Retracts Latch; Key Inside Unlocks/Locks O/S Trim O/S #46 & I/S #34 Cylinder Supplied	WS8916 x ET_
40	02	Freewheeling Trim - No outside operation (No Cylinder) Dummy Trim	WS8940 x ET_
43	08	Freewheeling Trim - Key Outside Unlocks/locks Trim #41 Cylinder Supplied	WS8943 x ET_
44	03	Freewheeling Trim - Key Retracts Latch For 1-3/4" Door #46 Cylinder Supplied	WS8944 x ET_
75*		Electrified ET Trim - Fail Safe Power Off, Unlocks Lever, Key Retracts Latch For 1-3/4" Door #46 Cylinder Supplied	WS8975 x ET_
76**		Electrified ET Trim - Fail Secure Power Off, Locks Lever, Key Retracts Latch For 1-3/4" Door #46 Cylinder Supplied	WS8976 x ET_







**Note:** Exit devices are available in all standard finishes, except 14, 15, 26 & 26D. With these finishes, exit devices are supplied in 32 or 32D to match accordingly. 32 or 32D is automatically supplied when 26 or 26D is specified. For nickel finishes, specify 14/32 or 15/32D to receive nickel finished trims and stainless exit devices

\* 75 Function without cylinder is available as a 73 Function  
\*\* 76 Function without cylinder is available as a 74 Function

### Pull & Thumbpiece Trim Section

### Trim Designations

- Use three letter designations (Ex "PTB") when ordering the Exit Device with trim
- Use the six digit designation (Ex "866-MAL") when ordering trim without an Exit Device, always specify finish & hand

SARGENT Function Numbers	ANSI Function Numbers	Description & Cylinder Info. (1-3/4" Door)							WS8900 Panic & Fire
04	03	Night Latch Key Retracts Latch #41 Cylinder Supplied	814-FLL	814-FLW	814-MAL	814-PTB	814-ST5		WS8904 x Trim Designation
10	02	No O/S Operation or Cylinder (Pull Only)	810-FLL	810-FLW	810-MAL	810-PTB	810-ST5		WS8910 x Trim Designation
28	15	Passage Only (No cylinder)	828-FLL	828-FLW	828-MAL	828-PTB	828-ST5		WS8928 x Trim Designation
63	05	Key Outside Unlocks/ locks Thumbpiece #41 Cylinder Supplied	866-FLL	866-FLW	866-MAL	866-PTB	866-ST5		WS8963 x Trim Designation
66	07	Key Outside Retracts Latch; Key Inside Unlocks/Locks O/S Trim O/S #34 & I/S #41 Supplied	866-FLL	866-FLW	866-MAL	866-PTB	866-ST5		WS8966 x Trim Designation

**Note:** Thumbpiece trims for 63 and 66 function devices are identical and are identified as 66 function when trim is ordered separately

**Note:** FLW trim is not available in 32(629) or 32D(630)

**Note:** Thumbpiece Trims used with Mortise Lock Exit Devices are handed

**Note:** Pulls and thumb piece trims are not available in 14, 15, 26 or 26D

Options WS8900
<b>Mechanical Options:</b>
12-
16-
19-
23-
31-
36-
37-
43-
54-
55-
56-
56-HK-
58-
76-
85-
86-
87-
BT-
CPC-
LD-
PL-
** SG-
<b>Cylinder Options:</b>
10-
10-21-
10-63-
11-
11-21-
11-60-
11-63-
11-64-
11-70-7P-
11-72-7P-
11-73-7P-
11-65-73-7P-
21-
51-
52-
60-
63-
64-
70-
72-
73-
65-73-
65-73-7P-
73-7P-
81-
82-
F1-82-
83-
F1-83-
84-
BR-
LC-
*SC-
*SE-

\* Options are not available with the following functions: 04 x ET, 16, 44, 75 & 76

\*\* Only available with 15, 26D and 32D finishes

### Available Finishes

SARGENT Finishes	BHMA Finishes
03	605
04	606
09	611
10	612
10B	613
10BE	613E
10BL	613L
14	618
15	619
20D	624
26	625
26D	626
32	629
32D	630
BSP	—
WSP	—

Experience a safer  
and more open world

1-800-727-5477 • www.sargentlock.com

45

# UL Listed Hurricane Resistant HC4-8700 Surface Vertical Rod Device

## 80 Series



**SARGENT**  
**ASSA ABLOY**



**HC4-8700  
Series  
Surface Vertical Rod  
Exit Device**

### Features

- Meets the abuse and high wind loads required by Florida building code including HVHZ.
- Devices are ANSI/BHMA A156.3 - Grade 1

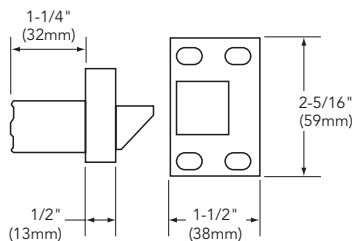
**Note:** For additional information on 8700 Series, see page 14

Openings	8'0" x 8'0" (2438mm x 2438mm)
Strikes	659 Top Strike in frame with larger mounting screws for both top and bottom cases. 655 bottom strike furnished standard
Rail sizes as determined by door width	Rails are available in 4 sizes, use door width to determine size needed. Rails will be factory cut to size, if door width is supplied <ul style="list-style-type: none"> <li>• E Rail for 24" to 32" door widths, No cutting required for 32" door</li> <li>• F Rail for 33" to 36" door widths, No cutting required for 36" door</li> <li>• J Rail for 37" to 42" door widths, No cutting required for 42" door</li> <li>• G Rail for 43" to 48" door widths, No cutting required for 48" door</li> </ul>
Strike	659 Top Strike (Panic and Fire Rated) 655 Bottom Strike (Panic and Fire Rated)
Dogging Feature	Hex key dogging standard on non fired rated devices; specify 16- for cylinder dogging (#41 cylinder supplied)
Top & Bottom Bolt	Stainless steel
Device Centerline	41" (1041 mm) for Standard Applications 38" (965mm) for elementary schools
Door/Opening Height	<b>Must be specified</b> - 96" (2438mm) Max Door Opening
Fire Exit Hardware	See Chart – Page 6

**Note:** Approved single openings cannot be used as a pair, but a door in a pair can be used as a single opening.

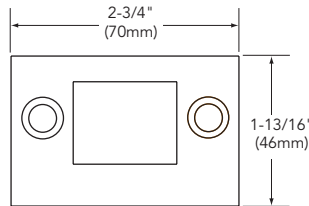
### 659 Top Strike

- For HC4-8700/12-HC4-8700
- Latchbolt nylon coated
- Stainless steel



### 655 Bottom Strike

- For HC4-8700/12-HC4-8700
- Stainless steel
- Black nylon coated



Copyright © 1998-2025, SARGENT Manufacturing Company. All rights reserved. Reproduction in whole or in part without the express written permission of SARGENT Manufacturing Company is prohibited. Patent pending and/or patent www.assaabloydss.com/patents.

90641 07/25

# UL Listed Hurricane Resistant HC4-8700 Functions and Trims

## 80 Series



**SARGENT**  
**ASSA ABLOY**

### How to order:

Options	Series	Function	Rail Lgth	Trim	Hand	Outside Finish	Inside Finish	Door Width	Door Height	AFF
10-63-	HC4-87	13	F	ETL	RHR	15	32D	36"	84"	41"

### 700 Series ET Trim



Exits with ET Trim, specify lever design after the ET designation (e.g., ETL)

### Lever Designs for ET Controls

A, B, E, F, J, L, P, W  
Also available with Coastal Series & Studio Collection Levers

### ET Designation with Suffix (Used to order ET without device)

HC4-8700 Series: 706, 710, 713, 715, 740, 743, 746, 773 & 774

### Freewheeling Trim

The lever rotates when the door is locked preventing excessive force from being applied to the horizontal lever

### Electrified ET Trim

Voltage must be specified for the following functions: 73 and 74.  
Specify: 12VDC or 24VDC

SARGENT Function Numbers	ANSI Function Numbers	Description & Cylinder Info (1-3/4" Door)	ANSI Type 2 HC4-8700 Panic & Fire
06	09	Key unlocks Trim, Trim retracts latch/ Trim relocks when key is removed #41 Cylinder Supplied	HC4-8706 x ET_
10	01	No outside operation (No Cylinder)	HC4-8710
10	02	No outside operation (No Cylinder) ET Control is used as Pull Only	HC4-8710 x ET_
13	08	Key Outside Unlocks/locks Trim #41 Cylinder Supplied	HC4-8713 x ET_
15	14	Passage Only (No cylinder)	HC4-8715 x ET_
40	02	Freewheeling Trim - No outside operation (No Cylinder) Dummy Trim	HC4-8740 x ET_
43	08	Freewheeling Trim - Key Outside Unlocks/locks Trim #41 Cylinder Supplied	HC4-8743 x ET_
46	09	Freewheeling Trim - Key unlocks Trim, Trim retracts latch/ relocks when key is removed #41 Cylinder Supplied	HC4-8746 x ET_
73		Electrified ET Trim - Fail Safe Power Off, Unlocks Lever (No Cylinder)	HC4-8773 x ET_
74		Electrified ET Trim - Fail Secure Power Off, Locks Lever (No Cylinder)	HC4-8774 x ET_

**Note:** Exit devices are available in all standard finishes, except 14, 15, 26 & 26D. With these finishes, exit devices are supplied in 32 or 32D to match accordingly. 32 or 32D is automatically supplied when 26 or 26D is specified. For nickel finishes, specify 14/32 or 15/32D to receive nickel finished trims and stainless exit devices  
**Note:** AFF means Above Finished Floor, center line of rail Above Finished Floor

### Pull & Thumbpiece Trim Section

### Trim Designations

- Use only letter designations when ordering the Exit Device with trim
- Use the six digit designation (Ex "866-MAL") when ordering trim without an Exit Device, always specify finish

### Series



HC4-8700  
Panic & Fire

SARGENT Function Numbers	ANSI Function Numbers	Description & Cylinder Info. (1-3/4" Door)	810-FLL	810-FLW	810-MAL	810-PTB	810-STS	HC4-8710 x Trim Designation
10	02	Pull Only (No Cylinder)						

**Note:** FLW trim is not available in 32(629) or 32D(630)  
**Note:** Pulls and thumb piece trims are not available in 14, 15, 26 or 26D except

Options
HC4-8700
<b>Mechanical Options:</b>
12-
16-
19-
31-
36-
37-
43-
53-
54-
55-
56-
56-HK-
58-
59-
BC-59-
76-
85-
86-
87-
BT-
CPC-
LD-
PL-
* SG-
TB-
<b>Cylinder Options:</b>
10-
10-21-
10-63-
11-
11-21-
11-60-
11-63-
11-64-
11-70-7P-
11-72-7P-
11-73-7P-
11-65-73-7P-
21-
51-
52-
60-
63-
64-
70-
72-
73-
65-73-
65-73-7P-
73-7P-
81-
82-
F1-82-
83-
F1-83-
84-
BR-
LC-
SC-
SE-

\* Only available with 15, 26D and 32D finishes

### Available Finishes

SARGENT Finishes	BHMA Finishes
03	605
04	606
09	611
10	612
10B	613
10BE	613E
10BL	613L
14	618
15	619
20D	624
26	625
26D	626
32	629
32D	630
BSP	—
WSP	—

Experience a safer  
and more open world

1-800-727-5477 • www.sargentlock.com

47

Copyright © 1998-2025, SARGENT Manufacturing Company. All rights reserved. Reproduction in whole or in part without the express written permission of SARGENT Manufacturing Company is prohibited. Patent pending and/or patent www.assaabloydss.com/patents.

07/25

90641

# UL Listed Hurricane-Resistant HC8700 Surface Vertical Rod Exit Device



**SARGENT**  
**ASSA ABLOY**

80 Series



## HC8700 Series Surface Vertical Rod Exit Device

### Features

- Meets the abuse and high wind loads required by Florida building code including HVHZ.
- Accepted & approved with CURRIES hollow metal doors and McKINNEY hinges. Any substitution of hardware makes the Hurricane Code inapplicable.
- Devices are ANSI/BHMA A156.3 - Grade 1

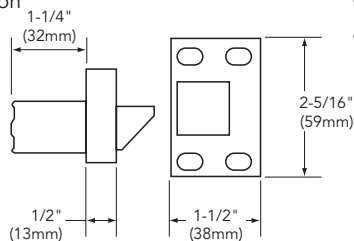
**Note:** For additional information on 8700 Series, see page 14

Openings	8'0" x 8'0" (2438mm x 2438mm) Curries 16 gauge 747 flush, S edge
Frames	CURRIES 16 gauge KD, Pipe spacer anchors only, 12 gauge full sleeve reinforcing and existing opening anchor in head of frame
Hinges	McKINNEY TA2714 or T2714
Hardware Configuration 1	SARGENT HC8700 or 12-HC8700 Exit Devices on both leaves
Hardware Configuration 2 Vertical Rod Exit & Mortise Lock	SARGENT 8200 Series mortise lock (active), SARGENT HC8700 or 12-HC8700 exit devices (inactive), Ives 360 surface bolts at 5 3/4" (147mm) at centerline
Strikes	654 top bolt in frame with larger mounting screws for both top and bottom cases. 655 bottom strike furnished standard
Rail sizes as determined by door width	Rails are available in 4 sizes, use door width to determine size needed. Rails will be factory cut to size, if door width is supplied <ul style="list-style-type: none"> <li>• E Rail for 24" to 32" door widths, No cutting required for 32" door</li> <li>• F Rail for 33" to 36" door widths, No cutting required for 36" door</li> <li>• J Rail for 37" to 42" door widths, No cutting required for 42" door</li> <li>• G Rail for 43" to 48" door widths, No cutting required for 48" door</li> </ul>
Strike	654 Top Latch (Panic and Fire Rated) 655 Bottom Strike (Panic and Fire Rated)
Dogging Feature	Hex key dogging standard on non fired rated devices; specify 16- for cylinder dogging (#41 cylinder supplied)
Top & Bottom Bolt	Stainless steel
Device Centerline	41" (1041 mm) for Standard Applications 38" (965mm) for elementary schools
Door/Opening Height	<b>Must be specified</b> - 96" (2438mm) Max Door Opening
Fire Exit Hardware	See Chart – Page 6

**Note:** Approved single openings cannot be used as a pair, but a door in a pair can be used as a single opening.

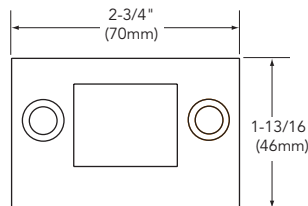
### 654 Top Latch

- For HC8700/12-HC8700
- Latchbolt nylon coated
- Stainless steel



### 655 Bottom Strike

- For HC8700/12-HC8700
- Stainless steel
- Black nylon coated



Copyright © 1998-2025, SARGENT Manufacturing Company. All rights reserved. Reproduction in whole or in part without the express written permission of SARGENT Manufacturing Company is prohibited. Patent pending and/or patent www.assaabloydss.com/patents.

90641 07/25



# UL Listed Hurricane-Resistant HC8700 Functions and Trims



**SARGENT**  
**ASSA ABLOY**

## 80 Series

**How to order:** Options 10-63- Series HC87 Function 13 Rail Lgth F Trim ETL Hand RHR Outside Finish 15 Inside Finish 32D Door Width 36" Door Height 84" AFF 41"

### 700 Series ET Trim



Exits with ET Trim, specify lever design after the ET designation (e.g., ETL)

### Lever Designs for ET Controls

A, B, E, F, J, L, P, W  
Also available with Coastal Series & Studio Collection Levers

### ET Designation with Suffix (Used to order ET without device)

HC8700 Series: 706, 710, 713, 715, 740, 743, 746, 773 & 774

### Freewheeling Trim

The lever rotates when the door is locked preventing excessive force from being applied to the horizontal lever

### Electrified ET Trim

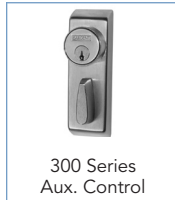
Voltage must be specified for the following functions: 73 and 74.  
Specify: 12VDC or 24VDC

SARGENT Function Numbers	ANSI Function Numbers	Description & Cylinder Info (1-3/4" Door)	ANSI Type 2 HC8700 Panic & Fire
06	09	Key unlocks Trim, Trim retracts latch/ Trim relocks when key is removed #41 Cylinder Supplied	HC8706 x ET_
10	01	No outside operation (No Cylinder)*	HC8710
10	02	No outside operation (No Cylinder)* ET Control is used as Pull Only	HC8710 x ET_
13	08	Key Outside Unlocks/locks Trim #41 Cylinder Supplied	HC8713 x ET_
15	14	Passage Only (No cylinder)	HC8715 x ET_
40	02	Freewheeling Trim - No outside operation (No Cylinder)* Dummy Trim	HC8740 x ET_
43	08	Freewheeling Trim - Key Outside Unlocks/locks Trim #41 Cylinder Supplied	HC8743 x ET_
46	09	Freewheeling Trim - Key unlocks Trim, Trim retracts latch/ relocks when key is removed #41 Cylinder Supplied	HC8746 x ET_
73		Electrified ET Trim - Fail Safe Power Off, Unlocks Lever (No Cylinder)*	HC8773 x ET_
74		Electrified ET Trim - Fail Secure Power Off, Locks Lever (No Cylinder)*	HC8774 x ET_

**Note:** Exit devices are available in all standard finishes, except 14, 15, 26 & 26D. With these finishes, exit devices are supplied in 32 or 32D to match accordingly. 32 or 32D is automatically supplied when 26 or 26D is specified. For nickel finishes, specify 14/32 or 15/32D to receive nickel finished trims and stainless exit devices  
**Note:** AFF means Above Finished Floor, center line of rail Above Finished Floor  
\* Cylinder Override is available with a 306 Aux Control  
Example Order: 8773F 12V x ETMG x 306 x RHR x 32D x 36" w x 84" h

### 300 Series\*

### Auxiliary Control & 862 Pull



300 Series  
Aux. Control



862 Pull

SARGENT Function Numbers	ANSI Function Numbers	Description & Cylinder Info (1-3/4" Door)	HC8700 Panic & Fire
06	12	Key unlocks Turn, Turn retracts latch/ Turn relocks when key is removed #41 Cylinder Supplied	HC8710 x 306
10	02	862 Pull Only (Optional Pulls: 863 & 864)	HC8710 x 862
13	11	Key Outside Unlocks/locks Turn #41 Cylinder Supplied	HC8710 x 313

**Note:** When ordering HC8700 Series Exit Device x 300 Series Aux. Control, specify 10 Function for the exit. Example: HC8710F x 306 x RHR x 32D x 42" x 90"

### Pull & Thumbpiece Trim Section

### Trim Designations

- Use only letter designations when ordering the Exit Device with trim
- Use the six digit designation (Ex "866-MAL") when ordering trim without an Exit Device, always specify finish

### Series



HC8700  
Panic & Fire

SARGENT Function Numbers	ANSI Function Numbers	Description & Cylinder Info. (1-3/4" Door)	810-FLL	810-FLW	810-MAL	810-PTB	810-ST5	HC8710 x Trim Designation
10	02	Pull Only (No Cylinder)*						HC8710 x Trim Designation

\* Cylinder Override is available with a 306 Aux Control  
**Note:** FLW trim is not available in 32(629) or 32D(630)  
**Note:** Pulls and thumb piece trims are not available in 14, 15, 26 or 26D

Options HC8700
<b>Mechanical Options:</b>
12- 16- 19- 31- 36- 37- 43- 53- 54- 55- 56- 56-HK- 58- 59- BC-59- 76- 85- 86- 87- BT- CPC- LD- PL- * SG- TB-
<b>Cylinder Options:</b>
10- 10-21- 10-63- 11- 11-21- 11-60- 11-63- 11-64- 11-70-7P- 11-72-7P- 11-73-7P- 11-65-73-7P- 21- 51- 52- 60- 63- 64- 70- 72- 73- 65-73- 65-73-7P- 73-7P- 81- 82- F1-82- 83- F1-83- 84- BR- LC- SC- SE-

\* Only available with 15, 26D and 32D finishes

### Available Finishes

SARGENT Finishes	BHMA Finishes
03	605
04	606
09	611
10	612
10B	613
10BE	613E
10BL	613L
14	618
15	619
20D	624
26	625
26D	626
32	629
32D	630
BSP	—
WSP	—

Experience a safer  
and more open world

1-800-727-5477 • www.sargentlock.com

49

Copyright © 1998-2025, SARGENT Manufacturing Company. All rights reserved. Reproduction in whole or in part without the express written permission of SARGENT Manufacturing Company is prohibited. Patent pending and/or patent www.assaabloydss.com/patents.

07/25 90641

# UL Listed Tornado-Resistant FM8700 Surface Vertical Rod Exit Device

80 Series

**SARGENT**  
ASSA ABLOY

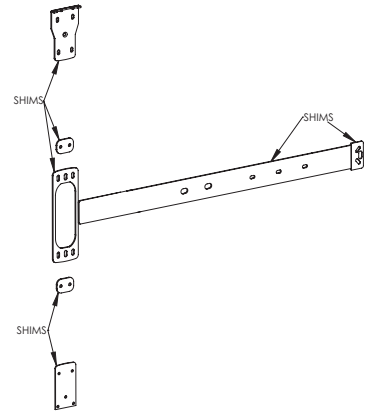


## FM8700 Series Surface Vertical Rod Exit Device

### Features

- 2-point latching exit device
- UL Listed in compliance with ICC 500 (2014/2020) and FEMA P-361 (2015)
- Specially machined rail and internal components make the FM8700 sturdier and more robust than standard products
- Devices are ANSI/BHMA A156.3 - Grade 1
- UL10C (Fire) Listed

### 569 Shim Kit

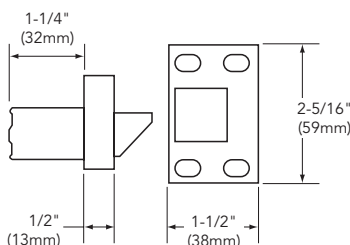


### Specifications:

Doors and Frames	<b>CECO DOOR and CURRIES StormPro® Series Door Assemblies</b> - 6'0" x 6'8" to 8'-0" x 8'-0" for pairs of fire rated doors - 3'0" x 6'8" to 4'-0" x 8'-0" for single fire rated doors (Requires 4 Thermal Pins)
Hardware	SARGENT FM8700 or 12-FM8700 Exit Device on both leaves or single door applications
Hinges	McKinney SP3386/SP3786 StormPro® Tornado Resistant Butt Hinges McKinney MCK-HG305 Continuous Hinges Markar HG305 Continuous Hinges
Strikes	659 Top Strike in frame and 653 Bottom Strike furnished standard 655 Bottom Strike optional
Shim Kit	569 Shim Kit furnished standard
Rail sizes as determined by door width	Rails are available in 3 sizes, use door width to determine size needed. Rails will be factory cut to size, if door width is supplied <ul style="list-style-type: none"> <li>• F Rail for 36" door width</li> <li>• J Rail for 37" to 42" door widths, No cutting required for 42" door</li> <li>• G Rail for 43" to 48" door widths, No cutting required for 48" door</li> </ul>
Dogging Feature	Hex key dogging available on non fired rated devices only
Electric Options	54- Outside Lever Monitoring Option
Mounting Fasteners	Supplied standard with machine screws and with throughbolts for the latch cases
Top & Bottom Bolt	Stainless steel
Device Centerline from Finished Floor	41" (1041mm) for Standard Applications 38" (965mm) for elementary schools
Center Case Dimensions	8-3/8" (213mm) x 2-5/8" (67mm)
Projection	Pushbar Neutral – 3" (76mm) Pushbar Depressed – 2-1/8" (54mm)
Fire Exit Hardware	See Chart – Page 6

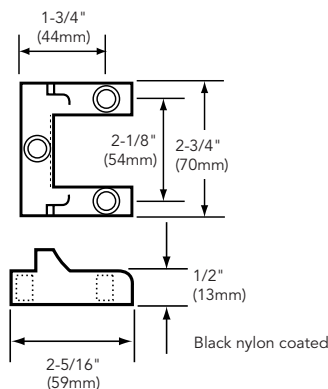
### 659 Top Strike

- For Panic & Fire Rated
- Latchbolt nylon coated
- Stainless steel



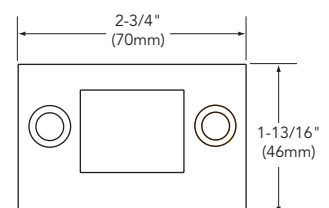
### 653 Bottom Strike

- Provided as standard
- Panic and Fire-Rated



### 655 Bottom Strike

- Stainless steel
- Black nylon coated
- UL305, UL10C and BHMA Grade 2 Certified



**Note:** See assembly guide card UL website for all available FEMA and ICC 500 (2014/2020) rated options  
655 Strike must be specified at time of order. Default option remains 635 strike

Copyright © 1998-2025, SARGENT Manufacturing Company. All rights reserved. Reproduction in whole or in part without the express written permission of SARGENT Manufacturing Company is prohibited. Patent pending and/or patent www.assaabloydss.com/patents.

07/25  
90641

**50**

1-800-727-5477 • [www.sargentlock.com](http://www.sargentlock.com)

Experience a safer  
and more open world

# UL Listed Tornado-Resistant FM8700 Functions and Trims

## 80 Series

**SARGENT**  
**ASSA ABLOY**

**How to order:** Options 12- Series FM87 Function 06 Rail Lgth F Trim ETL Hand RHR Outside Finish 15 Inside Finish 32D Door Width 36" Door Height 84" AFF 41"

### 700 Series ET Trim



Exits with ET Trim, specify lever design after the ET designation (e.g., ETL)

### Lever Designs for ET Controls

A, B, E, F, J, L, P, W  
Also available with Coastal Series & Studio Collection Levers

### ET Designation with Suffix (Used to order ET without device)

FM8700 Series: 706, 710, 740, 743, 746 & 774

### Freewheeling Trim

The lever rotates when the door is locked preventing excessive force from being applied to the horizontal lever

### Electrified ET Trim

Voltage must be specified for the following functions: 73 and 74.  
Specify: 12VDC or 24VDC

SARGENT Function Numbers	ANSI Function Numbers	Description & Cylinder Info (1-3/4" Door)	ANSI Type 2 FM8700 (Panic & Fire)
06	09	Key unlocks Trim, Trim retracts latch/ Trim relocks when key is removed #41 Cylinder Supplied	FM8706 x ET_
10	01	No outside operation (No Cylinder)*	FM8710
10	02	No outside operation (No Cylinder)* ET Control is used as Pull Only	FM8710 x ET_
13	08	Key outside unlocks/locks trim #41 cylinder supplied	FM8713 x ET_
40	02	Freewheeling Trim - No outside operation (No Cylinder)* Dummy Trim	FM8740 x ET_
43	08	Freewheeling Trim - Key Outside Unlocks/locks Trim #41 Cylinder Supplied	FM8743 x ET_
46	09	Freewheeling Trim - Key unlocks Trim, Trim retracts latch/ relocks when key is removed #41 Cylinder Supplied	FM8746 x ET_
74		Electrified ET Trim - Fail Secure Power Off, Locks Lever (No Cylinder)*	FM8774 x ET_

**Note:** Exit devices are available in all standard finishes, except 14, 15, 26 & 26D. With these finishes, exit devices are supplied in 32 or 32D to match accordingly. 32 or 32D is automatically supplied when 26 or 26D is specified. For nickel finishes, specify 14/32 or 15/32D to receive nickel finished trims and stainless exit devices

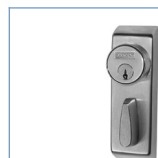
**Note:** AFF means Above Finished Floor, center line of rail Above Finished Floor

\* Cylinder Override is available with a 306 Aux Control

Example Order: FM8774F 12V x ETMG x 306 x RHR x 32D x 36" w x 84" h



### 300 Series Auxiliary\* Control



SARGENT Function Numbers	ANSI Function Numbers	Description & Cylinder Info (1-3/4" Door)	FM8700 Panic & Fire
06	12	Key unlocks Turn, Turn retracts latch/ Turn relocks when key is removed #41 Cylinder Supplied	FM8710 x 306
13	11	Key Outside Unlocks/locks Turn #41 Cylinder Supplied	FM8710 x 313

**Note:** When ordering FM8700 Series Exit Device x 300 Series Aux. Control, specify 10 Function for the exit.  
Example: FM8710F x 306 x RHR x 32D x 42" x 90

Options FM8700
<b>Mechanical Options:</b>
12-
36-
37-
43-
54-
76-
85-
86-
87-
CPC-
LD-
PL-
* SG-
TB-
<b>Cylinder Options:</b>
10-
10-21-
10-63-
11-
11-21-
11-60-
11-63-
11-64-
11-70-7P-
11-72-7P-
11-73-7P-
11-65-73-7P-
21-
51-
52-
60-
63-
64-
70-
72-
73-
65-73-
65-73-7P-
73-7P-
81-
82-
F1-82-
83-
F1-83-
84-
BR-
LC-
SC-
SE-

\* Only available with 15, 26D and 32D finishes

### Available Finishes

SARGENT Finishes	BHMA Finishes
03	605
04	606
09	611
10	612
10B	613
10BE	613E
10BL	613L
14	618
15	619
20D	624
26	625
26D	626
32	629
32D	630
BSP	—
WSP	—

Copyright © 1998-2025, SARGENT Manufacturing Company. All rights reserved. Reproduction in whole or in part without the express written permission of SARGENT Manufacturing Company is prohibited. Patent pending and/or patent www.assaabloydss.com/patents.

07/25

Experience a safer  
and more open world

1-800-727-5477 • www.sargentlock.com

51

90641

# ElectroLynx® Information and Option Compatibility Chart

80 Series

**SARGENT**  
**ASSA ABLOY**

## ElectroLynx Connector & Color Chart

### Electrified Trim (Solenoid ET and/or 54-) requires its own QC8 Hinge

PRODUCT	8 PIN CONNECTOR							
	1- Black	2- Red	3- White	4- Green	5- Orange	6- Blue	7- Brown	8- Yellow
<b>ELECTRIFIED EXIT TRIM</b>	<b>Power</b>		<b>Lever Monitoring</b>					
Solenoid Functions and Lever Monitoring	solenoid ET Trim		54- Switch Option					
	NEG	POS	C	NO	NC			

**Note:** For more information on ElectroLynx® Retrofit Kits and harnesses, see instruction document A7738, located at the SARGENT web site

### Electrified Exit Devices will require their own QC8 or QC12 Hinge as determined by specified options (see chart below)

PRODUCT	8 PIN CONNECTOR								4 PIN CONNECTOR				FLYING LEADS		
	1- Black	2- Red	3- White	4- Green	5- Orange	6- Blue	7- Brown	8- Yellow	9- Violet	10- Gray	11- Pink	12- Tan	13-Red/ Green	14-Red/ Yellow	14-Red/ Black

EXIT DEVICES	Power		Latch Monitoring			Rail Monitoring			56-	
80 Series Exits	56- & 58-		53- Switch Option			55- Switch Option			56- TIMER CIRCUIT	
	NEG	POS	C	53-NO 56-EG	53-NC 53-56-NO	C	NO	NC	A	B

DELAYED EGRESS EXIT DEVICES															
59-80 Series Electroguard	Power		Fire Alarm	Earth Ground	External Inhibit	Door Status	Remote Alarm Relay			LBM - OPTION			VOICE/GANG		
	NEG	POS					C	NO	NC	C	NO	NC	C	NO	NC

All electrical options are supplied with ElectroLynx® connectors and require McKINNEY QC Hinges and cables to complete the system

Electrical Option Availability Chart									
Primary Options	Compatible Options								
12- Fire Rated	AL-	BT-			53-	55-	56-	58-	59-
*AL- Alarmed Exit			12-		53-			58-	
16- Cylinder Dogging					53-	55-	56-	58-	
53- Latch Monitoring	AL-		12-	16-±		55-	56-	58-	
55- Rail Monitoring			12-	16-±	53-		56-	58-	
56- Electric Latch Retraction			12-	16-±	53-	55-			
58- Electric Dogging	AL-		12-	16-±	53-	55-			
**59- Electroguard®			12-						

How to use this chart: Select appropriate option in the left column, under "Primary Option", then follow the row to find compatible options.

**Note:** Underlined compatible options affect minimum door width. Consult factory

\* The AL- design includes monitored push rail

\*\* The 59- design includes monitored push rail and latch

Copyright © 1998-2025, SARGENT Manufacturing Company. All rights reserved. Reproduction in whole or in part without the express written permission of SARGENT Manufacturing Company is prohibited. Patent pending and/or patent www.assaabloydss.com/patents.

# Security Shim Kit

## 80 Series

### Exit Device Security Shim Kit

The SARGENT 541 Exit Device Security Shim Kit fills the gap between the exit device and the glass creating a flush surface. This kit can be easily trimmed and installed to accommodate most door styles without removing the SARGENT push rail exit device.

This not only responds to the ever increasing need for improved building security, but also maintains the facility's aesthetic design.



### Features & Benefits:

- Nylon and brushed aluminum construction can be easily cut and trimmed for custom fit
- Fits all doors up to 48" wide and stiles ranging from 4-1/2" to 6"
- Adjustment shims accommodate gaps from 3/8" to 3/4"
- 6 Lobe tamper proof security screws are included
- A T10 Torx driver required for assembly
- Fasteners are countersunk for flush finish
- 541 Kit contains a 48" shim, ready to be sized

### How to order:

- 541 Kit

# SARGuide™ Options (PL-) and Latch Bolt Monitoring Option (53-)

80 Series

**SARGENT**  
**ASSA ABLOY**

## PL- Photoluminescent Option (non-electrified)

SARGuide® PL Exit Device – with photoluminescent coating – is a non electrical option which produces visible EXIT signage in darkness or low lit areas.

- Approved for use in New York City in accordance with RS 6-1 and RS 6-1A
- Recharges from ambient light
- No wiring or maintenance needed
- Available for all door widths
- Order as a PL- option

(e.g., PL-8713F x ETMA x 32D x 36" x 84")



### LiteGuide™

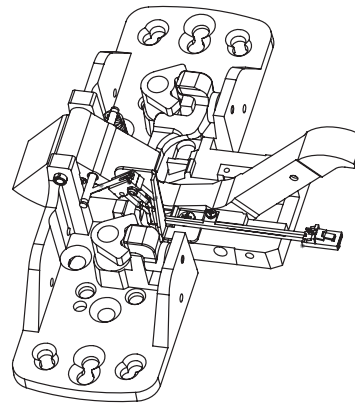
As part of their promise to provide innovative solutions to their customers, ASSA ABLOY Group companies offer the LiteGuide™ system, a luminescent egress marking system. LiteGuide™ installation is facilitated by ASSA ABLOY's ElectroLynx® a universal quick-connect system that simplifies the electrification of the door.

LiteGuide™ is a trademark of ASSA ABLOY Inc.

## 53- Latch Bolt Monitoring Option

The latch monitor provides tamper resistant latch monitoring, not just rail movement sensing. The monitor switch is activated when the rail is depressed or where there is movement of the latch.

- Switch type SPDT form "C" contacts
- 30 VDC@2 Amp. maximum rating
- All wires run through rail
- Field installation kits are not available
- Available for all door widths
- Adjustable switch bracket to fine tune sensitivity: set screw pivot bracket allows precise adjustment for more accurate notification of latchbolt movement (8500 and 8800 Series only).
- Available with all 80 Series Devices, except LP, LR, LS, PP-, PR- & SP8600, FM8700
- 5lb. pressure released (5CH) option available.
- See page 74 for compatible options
- See McKINNEY's Transfer Device Solutions Catalog for QC Hinge and cable requirements
- Order as a 53- option  
(e.g., 53-8813F x ETJ x 32D x 36" Door)



# Alarm Option (AL-) Request-to-Exit Option (55-) 80 Series

## AL- Alarm Option

SARGENT's AL-80 Series Exit Devices are designed for areas requiring a stand-alone alarm on outward swinging doors. This device has an integrated alarm in the push rail to discourage the unauthorized use of emergency exit doors. The alarm inside the rail sounds immediately upon exit. The AL-80 Series is ideal for rear exterior doors, doors leading to a rooftop, or anywhere security is a concern.



## Features

- Microprocessor based alarm board
- When armed, alarm sounds immediately upon rail depression
- All exit devices have tamper resistant latching (Guarded Latch)
- Battery powered – 9VDC
- 103 Db @ 8 ft pulsating horn
- Flashing red LED provides visible violation indication, reset by key only
- Low battery alert
- Field selectable continuous alarm option- 9VDC 300mAh Supply and 546 Harness recommended
- Automatic re-arming option
- Supplied with a #41 (1-1/8") with standard off set cam
- UL Listed and cUL Listed
- UL Listed to Canadian Safety Standards
- Rail Monitoring & Guarded Latch are standard internal features
- Available with all 80 Devices, except LP, LR, LS8600, FM8700, WS & HC8800 Devices
- Minimum Door Widths:  
- Wide Stile Door : E-n/a; F-36" only; J-42"-39"; G-48"-43"  
- Narrow Stile Door: E-32" only; f-36"-34"; J-42"-37"; G-48"-43"
- See page 74 for compatible options
- See McKINNEY's Transfer Device Solutions Catalog for QC Hinge and cable requirements (if hard wired)
- Order as an AL- option (e.g., AL-8916F x ETJ x 32D x 36" Door)

## 545 Alarm Retrofit Kits

Alarm retrofit kits available for the following 80 Series devices - 8300, MD8600, WD8600, GL-8800, and 8900 only. (GL-8800: Rim device with guarded latch)

Kit #	Device Style	Pivot to Pivot	Rail Size
545-1	Wide	11-1/4"	F
545-2	Narrow	11-1/4"	F
		8-1/2"	E
*545-3	Wide	20-1/2"	G
545-4	Narrow	20-1/2"	G
545-6	Narrow	14"	J
545-7	Wide	14"	J

\*Note: #41 Cylinder is not supplied standard and must be ordered separately

## 546 Wiring Harness

Harness allows for remote control of the alarmed exit device

- Remote Alarm Reset – reset from remote location
- External Inhibit – shunts alarm from remote location
- Remote Power – allows unit to be wired to a 9VDC 300mAh power supply
- Remote Monitor – allows unit to be wired to remote console
- Order as:  
- 546 - Wiring Harness (For AL- option) - Mfg. prior to 7/1/04  
- 546-F - Wiring Harness for F-Size Rails - Mfg. after 7/1/04  
- 546-G - Wiring Harness for G-Size Rails - Mfg. after 7/1/04  
- 546-J - Wiring Harness for J-Size Rails - Mfg. after 7/1/04

## 55- Request-to-Exit Option

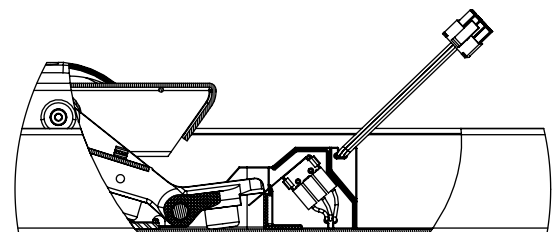
SARGENT Request-to-Exit Signal Switch option for exit devices provides push rail monitoring for a variety of applications; such as to sound an alarm, initialize a delayed egress system, or de-energize an electromagnetic lock.

Switch type SPDT form "C" contacts

- 30 VDC@2 Amp. maximum rating
- All wires run through rail
- Available with all 80 Series devices, except for FM8700
- 5lb. pressure released (5CH) option available.
- See page 74 for compatible options
- Minimum Door Widths:  
- Wide Stile Door 24"  
- Narrow Stile Door 24"
- See McKINNEY's Transfer Device Solutions Catalog for QC Hinge and cable requirements
- Order as a 55- option (e.g., 55-8913F x ETMA x 32D x 36")

## Universal 855 Retrofit Kit

- Retrofits existing 80 Series device installations with Request-to-Exit Signal Switch option
- Available for wide and narrow stile devices and 8895 Active Dummy Rail
- Compatible with all rail sizes (E, F, J, G), minimum rail length 26"
- Can not be used with 56- rails
- To order separately, order as 855



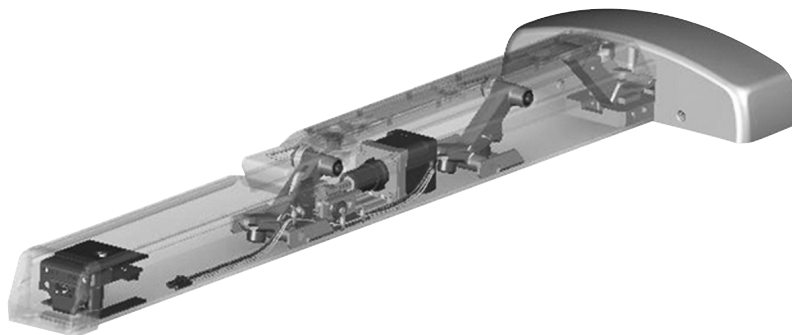
# Electric Latch Retraction Option (56-)

## 80 Series

**SARGENT**  
**ASSA ABLOY**

SARGENT's Electric Latch Retraction exit device is the perfect choice for high traffic egress doors that require access control. This non-handed exit device rail is durable and easy to install. It utilizes a latch retraction motor rather than a solenoid, ensuring quiet operation ideal for locations such as conference rooms, theaters and libraries. Once retracted, the door functions in a push/pull manner.

The 56- exit device can be dogged for momentary ingress and egress and is commonly used in conjunction with an automatic door operator. The device can be dogged continuously on fire-rated devices that are tied into the building's fire detection system.



### 56- Electric Latch Retraction Features

- 5 year warranty
- Patent pending and/or patent [www.assaabloydss.com/patents](http://www.assaabloydss.com/patents)
- Field serviceable -modular design
- Motor driven latch retraction for smooth, precise operation
- Amount of rail retraction is automatically controlled by the 56- circuitry; System actively monitors its position and adjusts itself
- Digital retraction timer (0-20 seconds; factory setting is 5 seconds)
- Non-contact Request-to-Exit (55-) switch available
- Retrofit kits available - see next page
- Standard electric hinge - no special power transfer required
- Can be used for continuous and intermittent use
- UL Listed for Class II Circuitry
- 5lb. pressure released (5CH) option available.
- Power Requirements: 24VDC regulated/filtered power supply (LSP-12-24)
- Current draw: .6A during retraction and .25A maintained in dogged hold position
- Requires 1A at 24VDC regulated/filtered power supply
- Available for all 80 Series exit devices (except FM8700)
- See page 74 for compatible options
- Minimum Door Widths:
  - Wide Stile Door 28"
  - Narrow Stile Door 28"
- See McKINNEY's Transfer Device Solutions Catalog for QC Hinge and cable requirements
- Order as a 56- option  
(e.g., 56-HK-8913F x ETMF x 32D x 36")

**Note:** HK- and 16- are not available for Fire Rated Doors

**Note:** The 56- Option is not supplied with Manual Dogging (Hex Key or Cylinder Dogging) unless specified

### Optional Accessories

- LSP-12-24 Power Supply
- 4370 Keyswitch
- 4291/4292 Keypad
- 3287 Door Status Switch
- Norton Automatic Door Operator
- Norton ADA Push Switch or Wave to Open Switch

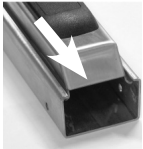
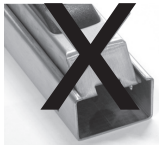
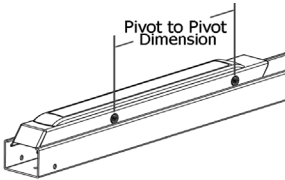




# Electric Latch Retraction Motor Kits and Push Rail Kits

80 Series

**SARGENT**  
**ASSA ABLOY**

M56- Motor Retrofit Kits				
<p><b>The 56- Motor Retrofit Kits can only be added to 80 Series Exit Devices* manufactured after 2006 &amp; P Series Exit Device</b></p>		<p><b>Upgradeable Design</b></p>  <p>Exit Devices that are upgradeable have straight push rail nose &amp; tail; manufactured starting in 2007</p>	<p><b>Upgrade using R56 Kits only</b></p>  <p>Exit Devices with a stepped Nose &amp; Tail, produced prior to 2007, require the R56 Kits; the Push must be replaced</p>	<p><b>Rail Sizes</b></p> 
<b>56- Push Retrofit Kit Number</b>	<b>Type of Device to be Upgraded</b>	<b>Kits Description: 56- Motor Kits</b>		Rail Size is determined by the Pivot to Pivot Dimensions
M56A x Rail Size--	80 Series & P Series Exit Device*	Retrofits standard mechanical rail. Contains ribbon wiring.		8-1/2" = "E" Rail**
M56B x Rail Size	53-80 Series Exit Devices*	Retrofits 53- Exit Devices. Does not include 53- Signal Switch. Contains wiring to reconnect to the pre-existing 53- Chassis Signal Switch.		11-1/4" = "F" Rail**
				14" = "J" Rail
				20-1/2" = "G" Rail

\* Except Exit Devices with a stepped Nose & Tail, produced prior to 2007 and all FM8700 Series Exit Devices

\*\* Motor Retrofit Kits are identical for E and F size Rail Assemblies

- 55-M56 Kit: Request to Exit Signal Switch is integrated into the connecting arm within the rail
- 56- Motor Retrofit Kits can be used with 855 Request to Exit Kit or 816 Cylinder Dogging Kits
- Kits require a minimum insert length of 5" for 56- & 7" for 16-56- for the electronics
- Rail size is needed when ordering to supply the correct length wires

Option Available: 55- Non-Contact Request to Exit switch

How to Order: M56A (Kit #) x F (Rail Size)

Kit includes: Motor Bracket Assy, Motor Controller & Fasteners

R56- Retrofit Kits with Push Rail				
<p><b>The 56- Push Retrofit Kits can only be added to 80 Series* Exit Device manufactured after 1995</b></p>		<p><b>Upgradeable Design</b></p>  <p>Upgradeable Exit Devices do not have Pivots in the Mtg Rails; manufactured starting in 1995</p>	<p><b>Mounting Rail Pivots</b></p>  <p>Devices with Mounting Rail Pivot Pins can Not be upgraded</p>	<p><b>Rail Sizes</b></p> 
<b>56- Push Retrofit Kit Number</b>	<b>Type of Device to be Upgraded</b>	<b>Kit Descriptions: 56- Push Retrofit Kits</b>		Rail Size is determined by the Pivot to Pivot Dimensions
R56A x Rail Size & Finish	80 Series Exit Device*	Retrofits standard mechanical rail. Contains ribbon wiring.		8-1/2" = "E" Rail
R56B x Rail Size & Finish	53-80 Series Exit Devices*	Retrofits 53- Exit Devices. Does not include 53- Signal Switch. Contains wiring to reconnect to the pre-existing 53- Chassis Signal Switch.		11-1/4" = "F" Rail
				14" = "J" Rail
				20-1/2" = "G" Rail

\* Except 80 Series Exit Devices produced prior to 1995 and all FM8700 Series Exit Devices

- Adding a R56 Kit to a 55- Rail, the 55- Switch will be eliminated.
- For 55-56- Rail Assemblies, use either a 55-R56 Kit or a R56 Kit with a 855 Kit
- R56A & R56B Kits can be used with 855 Request to Exit Kit or 816 Cylinder Dogging Kits
- Kits require a minimum insert length of 5" for 56- & 7" for 16-56- for the electronics

Options:

19- Push Rail less the Black Lexan Touch Pad

55- Non-Contact Request to Exit switch

HK- Hex Key Dogging to allow for manual dogging of the device

SG- MicroShield® antimicrobial clear powder coat (only available with 15, 26D and 32D finishes)

How to Order: R56A (Kit #) x F (Rail Size) x 32D (Finish);

Kit includes: Motor Bracket & Push Rail Assy, Motor Controller & Fasteners

Experience a safer  
and more open world

1-800-727-5477 • www.sargentlock.com

57

# Electric Dogging Option (58-)

## 80 Series

### 58- Electric Dogging

Libraries, auditoriums, theaters, courtrooms, churches and schools benefit from the convenience of electric dogging (unlocking). When the 58-80 Series exit device is energized and the push rail is depressed, it will continuously hold the push rail down and the latch(es) will be held retracted.

When the device is de-energized or power is interrupted, the latch(es) will extend. This feature is ideal for areas that require the silent operation of exit device hardware.

### 58- Features

- Provides quiet ingress and egress when dogged
- Standard electric hinge - no special power transfer required
- Manual hex key dogging provided on non-fire rated devices
- UL Listed for Panic and Fire (12-)
- Holding force 70 lbs. min.
- Power Requirements: 24VDC regulated/filtered power supply (LSP-12-24)
- Current draw: .2 amp
- Available for all 80 Series Devices, except FM8700 Devices
- See page 74 for compatible options

- Available for all door widths
- See McKINNEY's Transfer Device Solutions Catalog for QC Hinge and cable requirements
- Order as a 58- option (e.g., 58-8813F x ETJ x 32D x 36" Door)

### Optional Accessories

- 4370 Key Switch
- 3287 Door Status Switch
- LSP-12-24 Power Supply

# ElectroGuard Delayed Egress Option (59-)

80 Series

**SARGENT**  
**ASSA ABLOY**

## 59- Self Contained Delayed Egress Device

Commonly used in schools, nursing homes, shopping centers and libraries, delayed egress exit devices provide a means of monitoring egress to prevent unauthorized exit. When the exit device push pad is depressed, the 59-80 Series delayed egress exit device sounds an alarm from the rail to alert personnel that someone is attempting egress. The exit device stays secure for fifteen seconds, allowing time for personnel to respond.

Momentary release for egress (adjustable for 5, 10, 20 or 40 seconds) is provided by a cylinder on the rail or from a remote location. When the fire alarm system is activated (if connected), the exit device disarms and allows immediate egress.

**Note:** As of February 2014, the 59- option has a new design. The updated 59- functionalities utilize new sensor technologies and is only available for order as a complete device. Component upgrades are not offered with prior generation products because wire harnesses are not backwards compatible. When replacing an existing device with an updated one, there is no change to door templating or mounting

## 59- Features

### Compliance

- Conforms to NFPA 101 Special Locking Arrangements
- Available in UL Listed Panic and Fire Rated (12- option) devices
- UL294 Listed for Special Locking Arrangements
- When ordered with BC- option, complies with BOCA code relating to delayed egress. Requires door status switch (3287) ordered separately

### Operation

- Depressing the push rail for one second or longer initiates an alarm
- LED visual notification system for easy identification of armed device; LED lights are field-selectable as red or green
- Momentary or maintained egress with key OR from a remote location
- Alarm disabled by key in the rail OR by remote reset
- Alarm sounds for fifteen seconds during unauthorized egress; after fifteen seconds lock releases. 30 second delay available with written permission of Authority having Jurisdiction
- Field adjustable nuisance delay (0 or 1 second)
- External inhibit features with authorized egress, card reader access and scheduled delayed egress from access control panel

### Specifications

- Rod guards must be used on surface vertical rod devices. Consult factory for more information
- Standard size 41 mortise cylinder in rail
- Field adjustable momentary time delay preset for five seconds at factory
- 80dB horn enclosed in rail assembly
- Uses standard electric hinge - no special power transfer required
- Guarded & monitored latch and rail standard
- Power Requirements: 24VDC regulated/filtered power supply
- Key override capabilities
- Current draw: .2 amp. nominal, .5 amp (max) with optional features
- Minimum Door Widths:
  - Wide Stile Door 32"
  - Narrow Stile Door 32"
- Ability to gang up to 12 doors
- Shipped with decal "Emergency Exit Only. Push until alarm sounds. Door can be opened in 15 seconds"
- See McKINNEY's Transfer Device Solutions Catalog for QC Hinge and cable requirements
- Available for all 80 Series devices, except LP, LR, LS, SP8600, FM, ND8700, MS, and HC8800 Devices
- Not compatible with 8700 SVR devices utilizing a 300 series Auxiliary Control
- Order as a 59- option (e.g., 59-8813F x ETJ x 32D x 36" Door)
- See page 74 for compatible options

### Installation & Maintenance

- Diagnostic LEDs on PC board for easy troubleshooting



# Electrified and Monitored (54-) ET Trims and Power Supplies

80 Series

**SARGENT**  
**ASSA ABLOY**

## Electro-Mechanical ET Lever Handle Controls

EcoFlex® ET trim provides remote means of locking and unlocking of the lever. This trim operates from 12-24 VDC. Rim and Mortise Exit Devices are available with cylinder override. Cylinder override can be added to the other series with the use of a 100 or 300 series Auxiliary Control, except NB8700 devices.

### 73 & 74 Function ET Trim



- Available for all 80 Series Exit Devices
- Requires a McKINNEY QC8 Hinge for EcoFlex® ET Trims and/or 54- option
- Features EcoFlex®
- Voltage: Operates from 12-24 VDC. (Voltage must be specified)
- Actuator Draw = 400mA inrush / 15mA continuous

@ 12VDC / 24VDC

- Operating Temp.: Max. 151°F (66°C) Min -31°F (-35°C).
- Full wave rectification installed inside the ET Control
- UL and cUL listed for use on fire doors
- 5lb. pressure released (5CH) option available.
- Field reversible
- EcoFlex® Trim is specified by the product function
- 73 Function - Fail Safe - Lever is unlocked when power is off - no cylinder override
- 74 Function - Fail Secure - Lever is locked when power is off - no cylinder override
- Cylinder override available with the use of 100 or 300 Series Auxiliary Control, except NB8700 devices

**Note:** Repeated operation at voltage exceeding +/- 10% is not recommended

### 75 & 76 Function ET Trim



- Available for all 80 Series Exit Devices
- Requires a McKINNEY QC8 Hinge for Ecoflex ET Trims and/or 54- option
- Features EcoFlex® technology
- Voltage: Operates from 12-24 VDC. (Voltage must be specified)
- Actuator Draw = 400mA inrush / 15mA continuous @ 12VDC / 24VDC

continuous @ 12VDC / 24VDC

- Operating Temp.: Max. 151°F (66°C) Min -31°F (-35°C).
- Full wave rectification installed inside the ET Control
- UL and cUL listed for use on fire doors
- 5lb. pressure released (5CH) option available.
- Field reversible
- EcoFlex® Trim is specified by the product function
- 75 Function - Fail Safe - Lever is unlocked when power is off with cylinder override
- 76 Function - Fail Secure - Lever is locked when power is off with cylinder override
- Key retracts latch mechanically

**Note:** Repeated operation at voltage exceeding +/- 10% is not recommended

## 54- Option- Lever Monitoring

- Available with all 80 Series exit devices x ET trim with these functions 06, 13, 15, 16, 73, 74, 75 & 76
- Requires a McKINNEY QC8 Hinge for 54- and/or EcoFlex® ET Trims
- Switch type SPDT form "C" contacts
- 30VDC @ 2 Amp. maximum rating
- Monitors lever rotation, can be incorporated into alarm systems or in conjunction with an electromagnet
- Must specify hand, non-reversible
- Not available with Freewheeling Trim



## LSP-12-24 Power Supply

### Operation

- LifeSafety Power supplies are designed to provide reliable filtered and regulated power for long life to a variety of electrified hardware components. Recommended for the 58-, 56-, 59- exit devices option and electric trim.

### Features

- Selectable voltage output between 12V and 24V with a single switch
- Internal Back-Up battery charging circuit \*
- Regulated and filtered, fuse protected outputs
- Each output can be individually turned on and off via a jumper
- Power status of each output is shown by an LED
- Rugged steel enclosure
- Fire alarm interface included – Dry contacts NO/NC, 9-33VDC, 3-15mA

### Electrical Specifications

- Inputs: 120VAC
- Outputs: 12VDC @ 6 Amp or 24VDC @ 3 Amp
- 8 Total Outputs

### Listings

- UL294, UL603, UL1076
- ULC S318, ULC S319

### Applications

- 59- Delayed Egress
- 58- Electric Dogging
- EcoFlex® Electrified Trim
- 56- Motorized Electric Latch Retraction

\* Note: Batteries are not included with the power supply

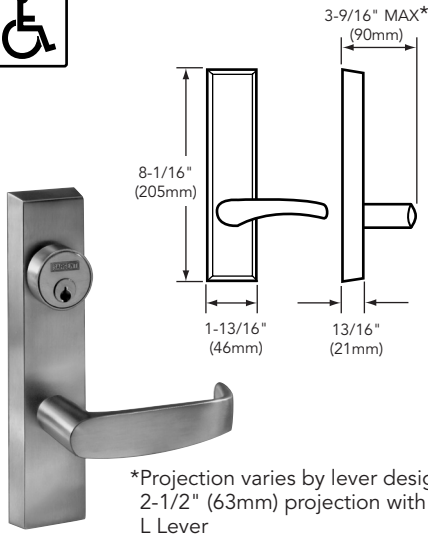


Model No.	Description
LSP-12-24 12V – 6AMP	24V – 3AMP Power Supply

# ET Trim, Levers and Pulls

## 80 Series

### ET Lever Controls

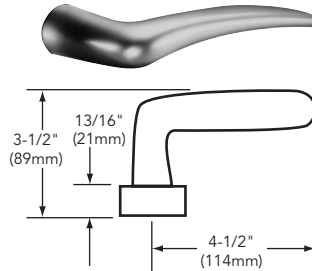


\*Projection varies by lever design.  
2-1/2" (63mm) projection with L Lever

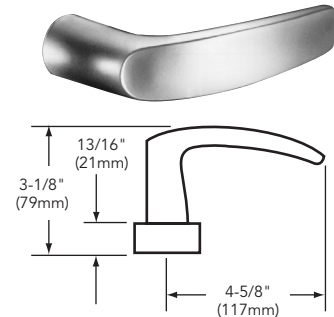
**Note:** ET suffixes required when ordering ET trim without an exit device, see page 73 for complete details

### A Lever

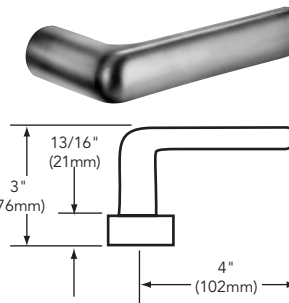
- Handed



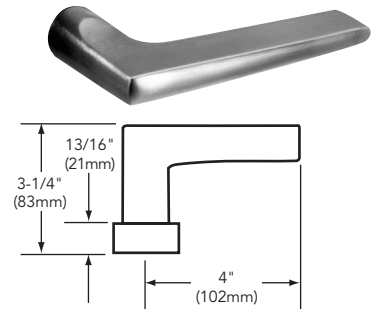
### B Lever



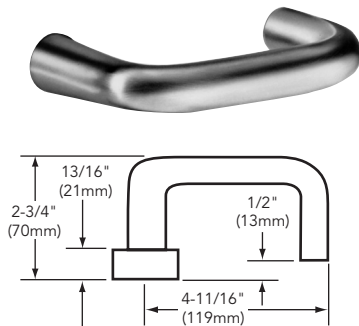
### E Lever



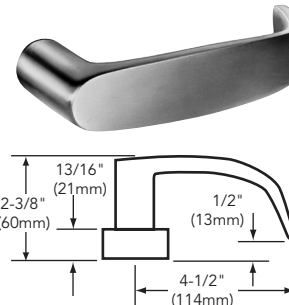
### F Lever



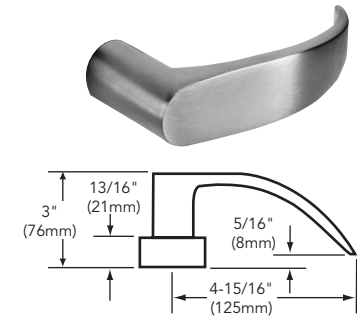
### J Lever\*



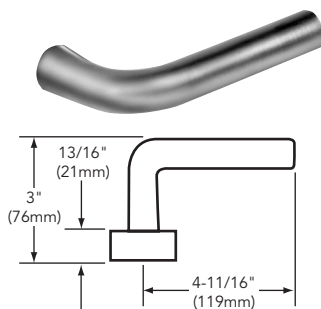
### L Lever\*



### P Lever\*

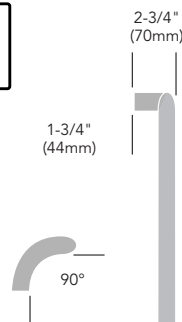


### W Lever



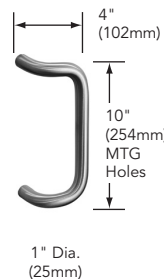
\* Lever returns within 1/2" (13mm) of door face

### Pulls



SIDE PROFILE

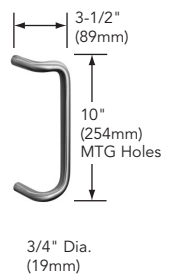
### 862



### 863



### 864



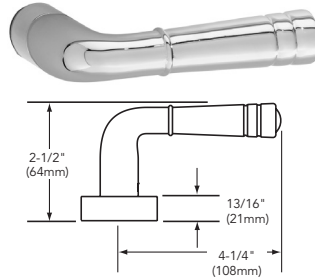
# Coastal Series Levers and Thumbpiece Pulls

## 80 Series

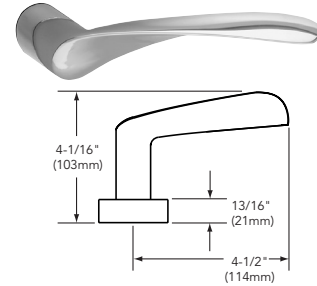
**SARGENT**  
**ASSA ABLOY**

- Coastal Series™ levers can be used with all SARGENT 80 Series exit devices with ET trim
- All levers – solid cast brass
- All standard functions available
- Finishes available: 03, 04, 09, 10, 10B, 10BE, 10BL, 14, 15, 20D, 26, 26D, BSP

### R - Rockport™

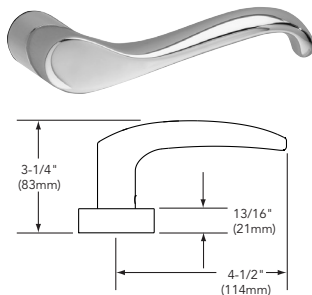


### S - Sanibel™



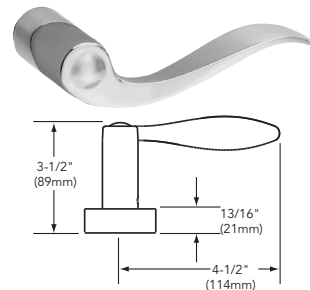
- Specify hand when ordering

### Y - Yarmouth™



- Specify hand when ordering

### G - Gulfport™

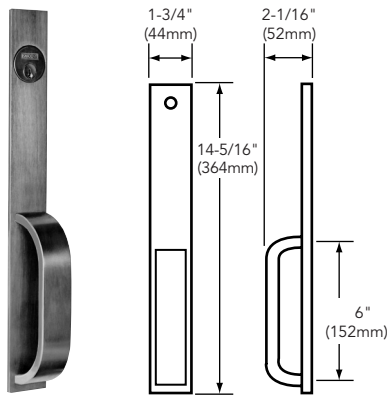


- Specify hand when ordering

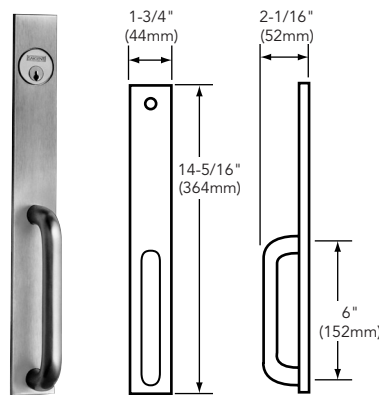
## Pulls and Thumbpieces Trims

These trims are through-bolted, creating perfect alignment of center case, thumbpiece and cylinder, as required. Through-bolts pass through the chassis of the devices and are bolted directly to the trim. FSL, FSW, MSL and PSB pulls are used with 12- 8804 and 8804 only, they are identical to FLL, FLW, MAL and PTB pulls except the cylinder hole is located 3/8" (9mm) lower. The 802-PTB plate is a flat plate which can be used to cover existing door preps and is as ANSI/BHMA function 01.

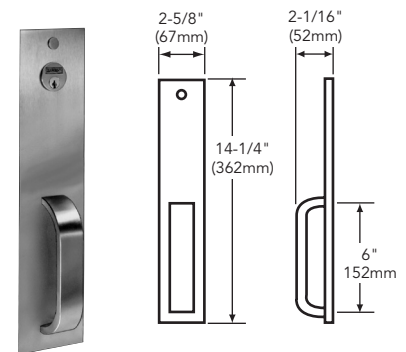
### FLL/FSL



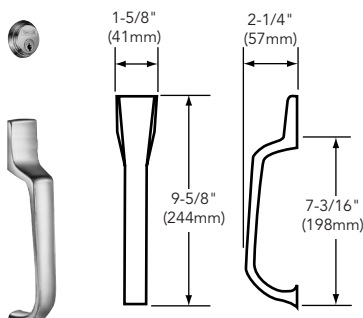
### FLW/FSW



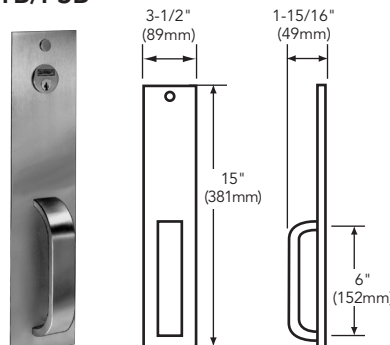
### MAL/MSL



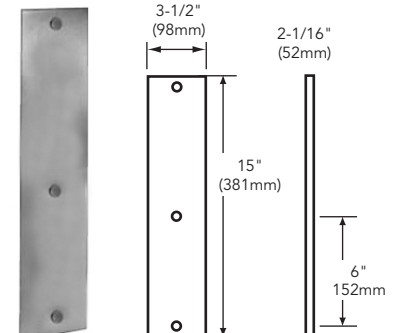
### STS



### PTB/PSB



### 802-PTB



Copyright © 1998-2025, SARGENT Manufacturing Company. All rights reserved. Reproduction in whole or in part without the express written permission of SARGENT Manufacturing Company is prohibited. Patent pending and/or patent www.assaabloydss.com/patents.

07/25 90641

# Studio Collection Levers

## 80 Series

Studio Collection trim is available in a broad array of designs and finishes. It allows for uniformity throughout a facility using the 8200, R8200 and 7900 Series Mortise Locks, Access Control Products, 80 Series Exit Devices, DL and RDL Series Tubular Locks.

All levers meet ADA compliance for national codes. Visit the online Decorative Hardware Product Selector at [selector.sargentlock.com](http://selector.sargentlock.com) to mix and match styles and finishes.

### Centro Series



MD



MJ



MP<sup>2</sup>



ND<sup>1</sup>



NJ<sup>1</sup>

### Notting Hill Series (MA & MO are Non-Handed Levers)



MA<sup>2,3</sup>



MQ<sup>2</sup>



MT<sup>2</sup>



MO<sup>2,3</sup>



MZ<sup>1,2</sup>



GT

### Aventura Series



MB



ME



MF



NF<sup>1</sup>



MG



MI



MW<sup>1</sup>

<sup>1</sup> Lever returns within 1/2" (13mm) of door face

<sup>2</sup> Not available in 32D or 32 finish

<sup>3</sup> MA & MO are Non-Handed Levers

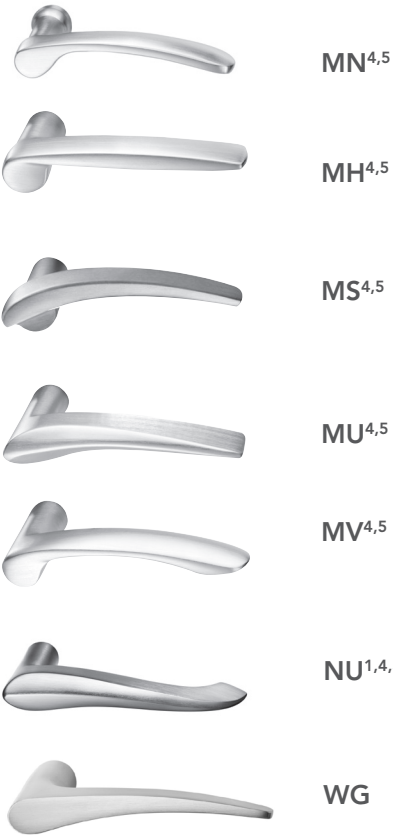
# Studio Collection Levers

80 Series

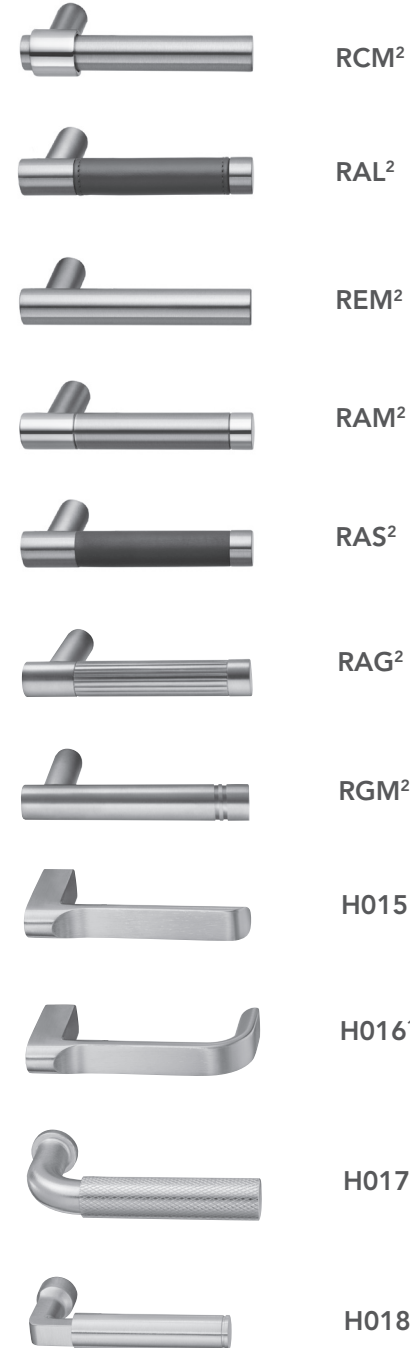
**SARGENT**  
ASSA ABLOY

## Odéon Series

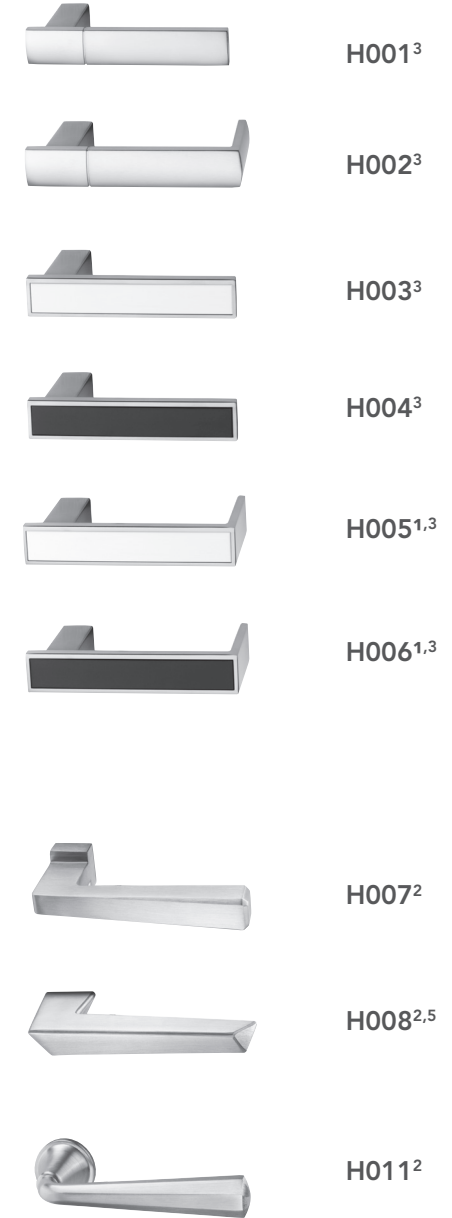
(Handed Levers)



## Gramercy Series<sup>2</sup>



## Wooster Square<sup>3</sup>



Copyright © 1998-2025, SARGENT Manufacturing Company. All rights reserved. Reproduction in whole or in part without the express written permission of SARGENT Manufacturing Company is prohibited. Patent pending and/or patent www.assaabloydss.com/patents.

<sup>1</sup> Lever returns within 1/2" (13mm) of door face

<sup>2</sup> Gramercy levers are customized. See page 65 for ordering information

<sup>3</sup> H003-H006 - Contain white or black polycarbonate inserts. Not available with MicroShield® antimicrobial coating.

<sup>4</sup> Not available in 32 or 32D finish

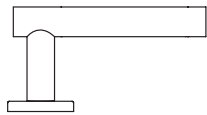
<sup>5</sup> Handed Levers



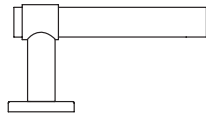
# How to Order Gramercy Series Levers

## 80 Series

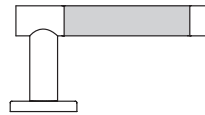
### Gramercy Series Levers



REM, RGM



RCM



RAG, RAL, RAM\*\*, RAS

### Gramercy Finish Codes

ANSI/BHMA Finish	SARGENT Finish	Gramercy Code*	Description
630	32D	30	Satin Stainless Steel
629	32	29	Bright Stainless Steel
613E	10BE	3E	Dark Oxidized Satin Bronze, Equivalent
N/A	BSP	BS	Black Suede Powder Coat
N/A	WSP	WS	White Suede Powder Coat
N/A	N/A	BK	Black (Santoprene™ or leather insert)
N/A	N/A	BN	Brown (leather insert)

\*Code used to specify Gramercy Series finishes only. Use available finishes list to specify desired finish when ordering.

### Gramercy Lever Descriptions & Available Finishes

Lever Designation	Lever Description	Available Finishes (AS ORDERED)
RAG	Grooved Insert	3030, 2929, 2930, 3029, 3E3E, BSBS or WSWs
RAL	Leather Insert	30BK, 30BN, 29BK, 29BN, 3EBK3E, BSBKBS, WSBKWS, 3EBN3E, BSNBNS or WSNBNS
RAM	Satin Metal Insert	2930** only (SEE NOTATION)
RAS	Santoprene Insert	30BK, 29BK, 3E3E, BSBS or WSWs
RCM	Raised Band	2930, 2929, 3030, 3029, 3E3E, BSBS or WSWs
REM	Plain	2929, 3030, 3E3E, BSBS or WSWs
RGM	Two Grooves	2929, 3030, 3E3E, BSBS or WSWs

\*\*Notes for two-tone finishes:

- 2930 Finish: grip of lever is 32D, balance of lever is 32. Rose/escutcheon and lock finish will be 32.
- 3029 Finish: grip of lever is 32, balance of lever is 32D. Rose/escutcheon and lock finish will be 32D.

To order Gramercy Series levers with SARGENT products, see the examples below. When specifying finish, use the last two digits of the BHMA standard finish code, i.e. use "29" for polished stainless, BHMA finish 629

### Sample order on how to specify an Exit Device with Gramercy levers

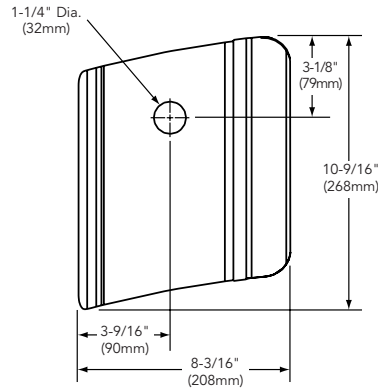
Options							Gramercy Lever information								
Options	Series	Function	Rail Size	Voltage	Trim	Lever	Finish			Hand	Inside Finish	Door Width	Opening Height	AFF	
Select from 80 Series catalog				Specified for electrical functions	Select from 80 Series catalog	Leather insert	Bright stainless steel with brown leather			RHR, RH, LHR, or LH	Select from 80 Series catalog		For vertical rod devices	Above Finished Floor	
10-	87	73	F	12VDC	F	RAL	29	BN	29	RH	32D	36"	84"	41"	

# Anti-Vandal Trim, 988 Surface Bolt, ET Plates and Dummy Rails

80 Series

**SARGENT**  
**ASSA ABLOY**

## Anti-Vandal Trim



Designed for exterior doors that require extra security or resistance to vandalism, anti-vandal trim (AVT) plates have an extended lip on the active side of the door to provide extra protection for the latchbolt. A matte plastic coated grip provides a comfortable pull over wide temperature ranges. Fully through-bolted with no exposed exterior fasteners for a cleaner look and increased security.

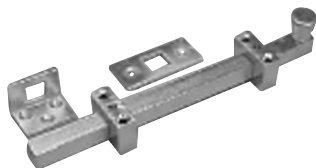
## Features

- Heavy duty 12 gauge stainless steel in 32D finish
- Through-bolted for added strength
- Handed – Specify RHR or LHR
- ADA Compliant
- #34 Rim Cylinder supplied for 8804
- #41 Mortise Cylinder supplied for 8904
- Night Latch and Dummy Functions available
- Available for MD & WD8610, 8710, 8804, 8810, 8904 & 8910 Devices
- Options not available with AV trim: 1-, 31, 49, 50, 68, 69, 76, 77, 85, 86, 87, DX & SG
- Without protective lip for inactive door
- AVT Retrofit Kit works easily with existing product with minor prep modification
- Order by part number (826, 824, 821 or 827) as determined by product & function below

Part Number	Description	Application
826	Cylinder, but No Protective Lip	8804 Mfg after 02-2001
824	Protective Lip & Cylinder	8904; also 8804 Mfg before 02-2001
821	No Protective Lip & No Cylinder	MD & WD8610, 8710 and 8810
827	Protective Lip & No Cylinder	8910

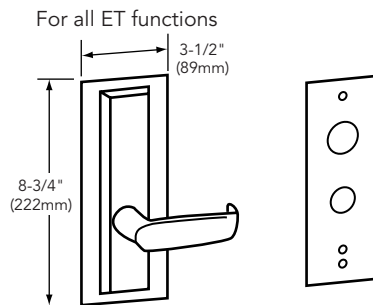
821 for use on all inactive leaves

## 988 Surface Bolt Kit



- Designed for severe windload (Hurricane Code) environments where surface bolts are required (e.g., on inactive doors)
- Tested to Dade County protocols
- Listed to UL 10C for use on fire rated door assemblies. Refer to codes for locations where surface bolts are allowed on fire doors
- All steel construction for maximum strength and heavy duty use
  - Full 3/4" (19mm) square, 12" (305mm) bolt with 1-1/4" (32mm) throw
  - Bright zinc-plated finish
  - Jimmy-resistant design locks bolt automatically when thrown; released by pressing knob toward door while retracting
  - Bolt can be locked in retracted or thrown position
- Angle (L shaped) and mortise strike with mounting hardware supplied standard
- Order as a: 988 Surface Bolt

## ET Cover Plate



This plate is designed to be mounted behind the ET control to cover a stock hollow metal cutout

- Order as a: 68-0657 x finish

## 809 Touchpad Kit

- Lexan touchpad replacement kit for all 80 Series push rails
- Direct replacement – uses existing mounting holes
- Order as a: 809 Touch Pad

## 8893 Dummy Rail



A decorative push bar for vestibule door applications where continuity of design is desired, but no exit device is required. Outside dummy trim available on order.

- Order as a: 8893 x finish; Specify door width and door stile width when ordering.

## 8895 Active Dummy Rail



Push rail operates on this rail to simulate active doors. Can be used with dummy trim.

- Order as a: 8885 x Finish; specify door width and door stile width when ordering.
- Available with Request-to-Exit (REX) signaling switch; specify 55-8895 x Finish

Copyright © 1998-2025, SARGENT Manufacturing Company. All rights reserved. Reproduction in whole or in part without the express written permission of SARGENT Manufacturing Company is prohibited. Patent pending and/or patent www.assaabloydss.com/patents.

07/25  
90641

**66**

1-800-727-5477 • www.sargentlock.com

Experience a safer  
and more open world

### Thicker Doors Specifications

- Convenient for applications requiring durability, improved insulation, and resilience to heavy use.
- Door thicknesses above standard 1-3/4" available over 2.5" to 5" thick based on function limitation below:

#### Device with Trim

Device	Stile	Function	Door Thickness	
RIM	Narrow	8504	Up to 2.5"	
		Wide		8804
	8816			
	8875			
	8876			
	Narrow	8506		
		8510		
		8513		
		8515		
		8573		
		8574		
	Wide	8806		Up to 5"
		8810		
		8813		
8815				
8873				
8874				
SVR		Wide	8706	
			8710	
	8713			
	8715			
	8773			
		8774		

**Note:** Must specify 31- Option and Trim

**How to order:**  
31- 8810 F NEL RHR 32D 5"

#### Device with Auxiliary Control

Exit Device	Stile	Trim Function	Aux Controls	Door Thickness
SVR	Wide	8710	306/P313	Up to 4.75"
		8773	306	
		8774		

**Note:** Must specify 31- Option and Auxiliary Control.

**How to order:**  
31- 8710 306 F RHR 32D 84" 5"

# Mullions: Aluminum, Steel and Electrified

80 Series

**SARGENT**  
**ASSA ABLOY**

## Aluminum Mullions

Product Designation	650A	980	L980
Description	Removable	Removable	Lockable
Material	Aluminum	Aluminum	Aluminum
Standard Finish	US28/Satin Anodized Aluminum	Prime Coat	Aluminum Prime Coat
Options	Specify "650A x 10B" for 313AN to match 10B	Specify "980A" for Anodized US28/Satin Aluminum	Specify: "L980A" Anodized Aluminum Specify: "L980A x10B" for 313AN to match 10B
Stk Size	96"	86"	86"
Max Stk Height	120"	120"	120"
Pre-prepped	658 Strikes Included	No	No
Cylinder Size	Not Required	Not Required	#41
Shape	1-1/2" x 2-1/2"	T Shaped 2-1/2" x 3"	T Shaped 2-1/2" x 3"
Misc. Information and Accessories	Includes 651 Stabilizers and imbedded Weather Stripping Top Retainer 94-2050 Bottom Retainer 94-2051	Top Retainer - 511 Bottom Retainer - 502 Adapter for narrow transom: 507 - Aluminum Prime Coated 507A - Anodized Aluminum	All Cylinder Options Available Wall Mount Kit 98-2578 Top Ret Pack 98-2526 Bottom Ret Pack 98-2525 Cylinder Kit 980C1*

## Electrified

EL980
Electrical Lockable
Steel
Gray Paint
Wall Mounting Kit: 98-2580 Top Ret Pack :98-2558 Bottom Ret Pack: 98-2556
86"
120"
No
#46 Only
Rectangular 2" x 3"
For use with Electric Strikes and Monitoring, Quick Connect Wiring Supplied Cylinder Kit 980C2*

\*Note: Cylinder Kits must be ordered separately

## Steel Mullions

Product Designations	HC980	980S	L980S	HCL980	12-HD980
Description	Hurricane Code	Standard Mullion	Lockable	Lockable Hurricane Code	Heavy Duty
Material	Steel	Steel	Steel	Steel	Steel
Fire Rated	Specify 12-HC980	Specify 12-980	Specify 12-L980	Specify 12-HCL980	Specify 12-HD980
Fire Rated Max Height	96"	96"	96"	96"	120"
Finish	Gray Paint	Gray Paint	Gray Paint	Gray Paint	Gray Paint
Stk Size	86"	86"	86"	86"	120"
Max Stk Height	96"	120"	120"	96"	120"
Pre-prepped	No	No	No	No	No
Cylinder Size	Not Required	Not Required	#41 Std (#42 & #43 available)	#41 Std (#42 & #43 available)	Not Required
Shape	Rectangular 2" x 3"	Rectangular 2" x 3"	Rectangular 2" x 3"	Rectangular 2" x 3"	Rectangular 2" x 3"
Misc. Information	Designed for severe wind load conditions due to hurricanes or windstorms. Tested to Dade County Protocols & ASTM Standards	For 12-8800 - Channel Iron & Malleable iron top & bottom retainers. Mullions longer than 86" must be ordered as 12-option x 120" length and cut to size in the field. Fire rating is valid only up to 96"	Fire rated for 8'0" x 8'0" paired openings Mullions longer than 86" must be ordered as 12-option x 120" length and cut to size in the field. Fire rating is valid only up to 96"	See Notes Below	12-HD980 is for pair of doors over 8'0" to 10'0" for use with 12-8800 Rim Exits includes two piece strikes
Accessories	Top Ret Pack - 98-2599 Bottom Ret Pack - 98-2600 Top Retainer Shim Kit - 601	Top Ret Pack - 98-2190 Bottom Ret Pack - 98-2191 Top Retainer Shim Kit - 601	Wall Mounting Kit - 98-2579 Top Ret Pack - 98-2559 Bottom Ret Pack - 98-2556 Top Retainer Shim Kit - 601 Cylinder Kit - 980C1*	Top Retainer Pack: 98-2593 Bottom Retainer Pack: 98-2594 Top Retainer Shim Kit - 601 Cylinder Kit - 980C1*	Top Ret Pack - 98-2599 Bottom Ret Pack - 98-2600 Top Retainer Shim Kit - 601

\*Note: Cylinder Kits must be ordered separately

### Note for HC980/12-HC980 Mullions:

- Designed for severe wind load conditions due to hurricanes or tornadoes
- Tested to Dade County protocols and ANSI 250.13 ASTM Standards and FEMA 361
- 12- Fire labeled version
- Replacement lock kits are available for lockable mullions  
Part numbers for each model are listed in the price book

### HCL980 Mullion Information

- Model 12-HC-L980 may be supplied for doors UL fire rated up to and including 3 hrs not exceeding 8 ft in width and height
- Meets the following standards: ANSI 250.13, ASTM E330, ASTM 1886, ASTM 1996, TAS 201, TAS 202 & TAS 203
- Designed for use with UL Classified HC8810, HC8800 and 12-HC8800 rim exit devices

Copyright © 1998-2025, SARGENT Manufacturing Company. All rights reserved. Reproduction in whole or in part without the express written permission of SARGENT Manufacturing Company is prohibited. Patent pending and/or patent www.assaabloydss.com/patents.

07/25 90641

**68**

1-800-727-5477 • www.sargentlock.com

Experience a safer  
and more open world

# Split Mullions

## 80 Series

<b>Split Mullions (Steel)</b>			
<b>Product Designations</b>	SM980S	SML980S	SMEL980
<b>Description</b>	Standard Mullion	Lockable	Electrical Lockable
<b>Material</b>	Steel	Steel	Steel
<b>Finish</b>	Gray Paint	Gray Paint	Gray Paint
<b>Stk Size</b>	96"	96"	96"
<b>Max Stk Height</b>	96"	96"	96"
<b>Pre-prepped</b>	No	No	No
<b>Cylinder Size</b>	Not Required	#41 Std (#42 & #43 available)	#46 Only
<b>Shape</b>	Rectangular 2" x 3"	Rectangular 2" x 3"	Rectangular 2" x 3"
<b>Misc. Information</b>	Not fire rated	Not fire rated	Not fire rated
<b>Accessories</b>	Top Ret Pack - 98-2190 Bottom Ret Pack - 98-2191 Top Retainer Shim Kit - 601 Screw Pack - 98-2029	Wall Mounting Kit - 98-2579 Top Ret Pack - 98-2559 Bottom Ret Pack - 98-2556 Top Retainer Shim Kit - 601 Cylinder Kit - 980C1* Screw Pack - 98-2029	Top Ret Pack - 98-2558 Bottom Ret Pack - 98-2556 For use with Electric Strikes and Monitoring, Quick Connect Wiring Supplied Cylinder Kit - 980C2* Wall Mounting Kit: 98-2580 Screw Pack - 98-2029

**\*Note:** Cylinder Kits must be ordered separately

# Mullion Accessories and Stabilizers

80 Series

**SARGENT**  
**ASSA ABLOY**

## Mullion Accessories

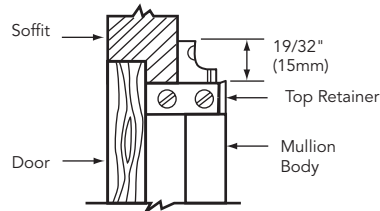
### RK980

Latchbolt assembly retrofit kit with top and bottom retainers for 980 aluminum mullion



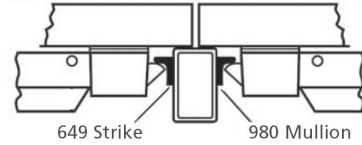
## 507 Narrow Transom Bars Adapter

- Available with 980 and 980A
- Required when soffit is 1-1/4" (32mm) to 2" (51mm) wide
- Order as a: 507 for 980 mullion or 507A for 980A mullion

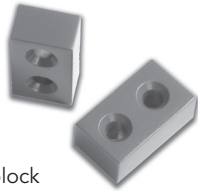


## 980S Mullion Application

- All steel mullions are 2" x 3"

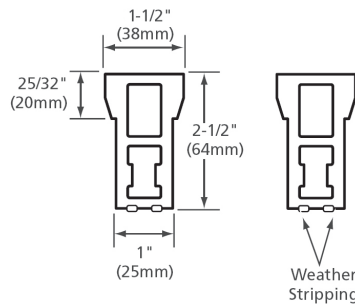


## 651 Mullion Stabilizer Kit

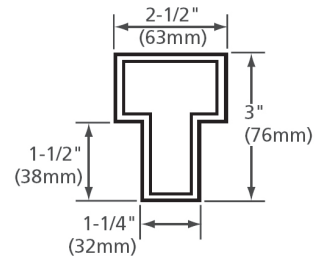


- Stabilizer block
- Furnished standard w/650A Mullion
- Order as a 651 Kit

## 650A Mullion



## 980 Mullion & L980 Lockable Mullion

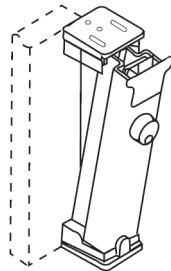


## 980C1 Cylinder Mullion Kit



- Lockable mullions only
- Aluminum and steel
- Includes cylinder and collar
- Available in 26D & 10B finish

## Lockable Mullion



## Lockable Mullion Cylinder Kit Options\*

L980, L980A, L980S & HC-L980 mullions are available with these options: 10, 10-21-, 10-63-, 11-, 11-21-, 11-60, 11-63-, 11-64-, 11-72-7P-, 11-65-73-7P-, 11-73-7P-, 21-, 60-, 63-, 64-, 70, 72-, 73-, 65-73-, 65-73-7P-, 73-7P-, 81-, 82-, F1-82-, 83-, F1-83-, 84-, SC- & SE-.

EL980 mullion is available with these options:

10, 10-21-, 10-63-, 11-, 11-21-, 11-60, 11-63-, 11-64-, 11-72-7P-, 11-65-73-7P-, 11-73-7P-, 21-, 60-, 63-, 64-, 70, 72-, 73-, 65-73-, 65-73-7P-, 73-7P-, 81-, 82- & F1-82-.

\*Lockable mullions are shipped without cylinders. Order Cylinder Mullion Kit separately.

## 980C2 Cylinder Mullion Kit



- Lockable mullions
- Electrified only
- Includes cylinder and collar
- Available in 26D finish only

## Mullion Weights & Packaging

Product	Avg Wt	Case
Exit Device with Trim	15 lbs	1 ea
980 Mullion	18 lbs	1 ea
12-980 Mullion	40 lbs	1 ea
650A Mullion	18 lbs	1 ea
SM980S Split Mullion	40 lbs	1 ea

Copyright © 1998-2025, SARGENT Manufacturing Company. All rights reserved. Reproduction in whole or in part without the express written permission of SARGENT Manufacturing Company is prohibited. Patent pending and/or patent www.assaabloydss.com/patents.

90641 07/25

70

1-800-727-5477 • www.sargentlock.com

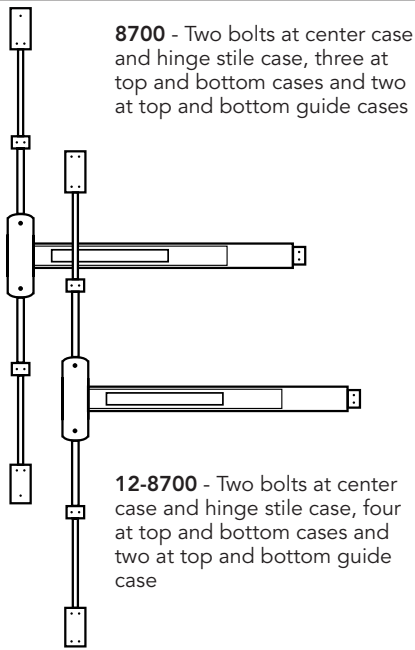
Experience a safer and more open world

# Through-bolt Kits, Rod Extensions and Shim Kits

80 Series

**SARGENT**  
**ASSA ABLOY**

## Through-bolt (TB) Applications



**8700** - Two bolts at center case and hinge stile case, three at top and bottom cases and two at top and bottom guide cases

**12-8700** - Two bolts at center case and hinge stile case, four at top and bottom cases and two at top and bottom guide case

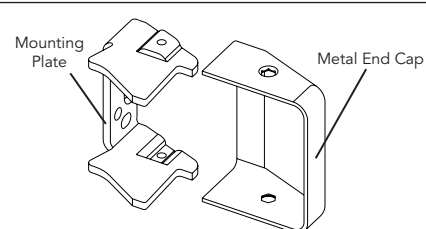
### Through-bolts Qty Part #

Product	Qty	Part #
8700 Rail & Chassis	4	68-2279
8700 Cases & Guides	10	68-2282
12-8700 Complete	16	68-2288
8800 Rail & Chassis	4	68-2279

To order through-bolts with device:  
Example: 8804 FLL x TB

**Note: Attaching Screws** – All series are furnished standard with wood screws for wood and Kalamein doors and machine screws for metal doors. Through-bolts and mortise nuts must be specified to mount fire exit devices on composite fire doors with steel, wood or plastic covering

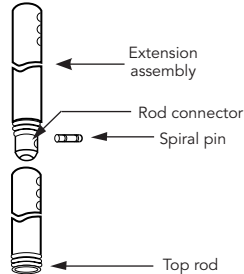
## 565 Metal End Cap Kit



End cap with hardware finish includes mounting plate with wood and machine screws  
Order as a 565 Kit x Finish

## Rod Extension Kits

- For surface mounted top rod extensions
- 570 Kit is for a Rod Connector & spiral pin
- 571 Kits includes top rod extension & 570 kit for device mfg prior to November 2002



- Specify Kits and finish:
- 571-6 for 6" Rod Extension
- 571-12 for 12" Rod Extension
- 571-18 for 18" Rod Extension

- 687 Kits include Rod Extension for devices mfg after November 2002

- Specify Kits and finish:
- 687-6 for 6" Rod Extension
- 687-12 for 12" Rod Extension

**Note:** For extensions over 12" full rod lengths are available, see Rod Replacement Kits Below

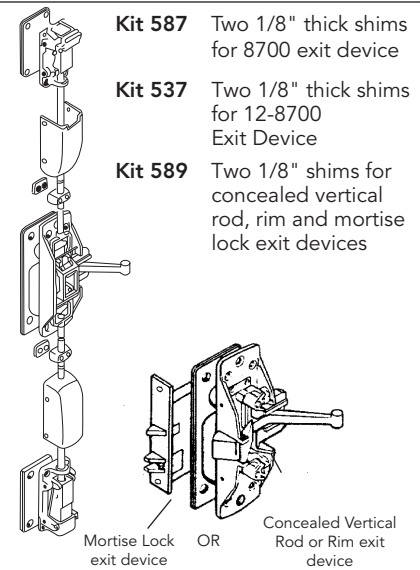
## Rod & Bolt Replacement Kits

Product	Top Rod & Bolt Kit *	Bottom Rod & Bolt Kit **
8700	N/A	N/A
MD & AD8600	MD691T	691B
WD8600	WD691T	691B
WD8600 x Aux	WDA691T	691B
MD & AD8400	MD691T	691B
PP/PR/SP8600	692P	N/A
LP/LR/LS8600	692L	N/A

\* Door Height & Rail Location Required

\*\* Rail Location Required

## Glass Bead Shim Kits



**Kit 587** Two 1/8" thick shims for 8700 exit device

**Kit 537** Two 1/8" thick shims for 12-8700 Exit Device

**Kit 589** Two 1/8" shims for concealed vertical rod, rim and mortise lock exit devices

### Note:

- Lift slide length must be increased for 8600 and 12-8600
- Lift lever length must be increased for 8900 and 12-8900
- Shim thickness must not exceed 1/4" (6mm) on 8900 and 12-8900
- Spindles and through-bolt lengths must be increased on 8700, 12-8700, 8800, 12-8800 exits
- Kits are available in EB, ED, and EN

## Rod Replacement Kits

Product	Top Rod Kit ++	Bottom Rod Kit +++
All 8700+	670T	670B
MD & AD8600	MD660T	660B
WD8600	WD660T	660B
WD8600 x Aux	WDA660T	660B
MD & AD8400	MD660T	660B
PP/PR/SP8600	661P	N/A
LP/LR/LS8600	661L	N/A

+ Finish Information Required

++ Door Height & Rail Location Required

+++ Rail Location Required

# End Caps and Cylinder Dogging Kits

## 80 Series

**SARGENT**  
**ASSA ABLOY**

### Cylinder Dogging 16- Option



A 41 mortise cylinder (included), located in the rail insert, locks the rail in retracted position. Available for all 80 Series devices except Fire Rated, FM8700 & some electrical options.

Order as a 16- option with the device

Example: 16-8813F x ETJ x 03 Finish

Also available as a 816 Kit  
Specify Kit based on Rail size

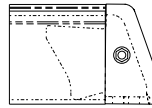
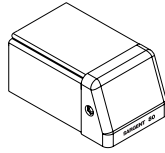
Example:

- 816-1 x finish for "F" wide
- 816-2 x finish for "E" & "F" narrow
- 816-3 x finish for "G" wide
- 816-4 x finish for "G" narrow
- 816-5 x finish for "E" wide
- 816-6 x finish for "J" narrow
- 816-7 x finish for "J" wide
- 816-8 x finish for "E" narrow

Cylinder included

**Note:** Cylinder dogging requires a 27" minimum door width

### 665 Flush End Cap Kit and 553 Shim Kit



- 665 Kit is Flush End Cap for 80 Series exit device
- 665 Kit available for retrofit/replacement
- To order specify 665 Kit x Finish or with the Device as a 43- option
- 553 Kit is an 1/8" Shim for Flush End Caps
- 553 Shim Kit is only available in ED, EN & EB\*
- To order specify 553 Kit x Finish

\* **Note:** **EB** (BHMA 690) Powder coated to match 10B  
**EN** (BHMA 689) Powder coated to match 26D

### Cylinder Nut Wrench



This wrench simplifies the installation and removal of mortise cylinder nuts used on 700 Series Auxiliary Control (80 Series ET Trim).

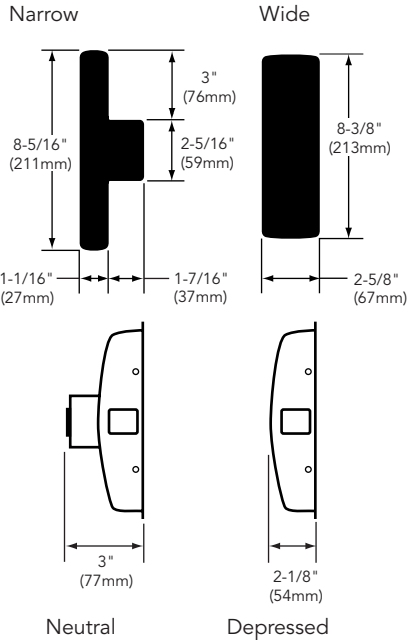
- Part number 97-0568



# Rail Sizes and How to Order ET Trim

## 80 Series

### Cover Dimensions and Touchbar Projections



### Rail Sizes

SARGENT offers four sizes of rails to accommodate 32", 36", 42" and 48" doors. These rails can be cut for smaller doors as specified in the chart below.

SARGENT will cut all rails to size if door width is specified when the hardware is ordered.

Stock Size	Door Widths	Remarks
E	24" to 32" (61cm to 81cm)	No cutting required for 32" (81cm) door
F	33" to 36" (84cm to 91cm)	No cutting required for 36" (91cm) door
J	37" to 42" (94cm to 107cm)	No cutting required for 42" (107cm) door
G	43" to 48" (110cm to 122cm)	No cutting required for 48" (122cm) door

### LP, LR & LS8600 Rail Sizes

L Rail	36" (91cm)	No cutting required
M Rail	42" to 44" (107cm to 112cm)	No cutting required
N Rail	46" to 48" (117cm to 122cm)	No cutting required

### How to specify and order ET Trim without an Exit Device

Example for 775-8 ETL 26D RHR 12VDC

7	75	-8	ETL	26D	RHR	12VDC
7 for 700 Series Auxiliary Control	2 digit function number	Suffix - Determined by Exit Device (See Chart)	ET followed by Lever Design Pages 61-64	Finish Page 83	Hand Page 78	Voltage for ET Trims Page 60

#### Notes:

- LFIC (Removable) and SFIC (70-) option cylinders require 97-0351 cylinder rings for 700 Series ET Controls and 94-0153 rings for 100 & 300 Series Aux controls.
- When ordering 775 or 776 trim, specify either a rim cylinder or mortise cylinder.

No Suffix	-8 Suffix
Square Spindle or No Spindle for inactive functions	Cross Type Spindle
for all 8900, 8300, 8700 with bottom rod and 8800, 8500, NB8700, PP, PR & SP8700 devices with these functions: 04, 10, 16, 40 & 44	for 8800, 8500, NB8700, PP, PR & SP8700 devices, except with these functions: 04, 10, 16, 40 & 44
-4 Suffix	-6 Suffix
Offset Mtg Tabs Top & Bottom	Offset Mtg Tab Top Only
for all AD & MD8400 and AD, WD & MD 8600 devices	for all PP, PR, SP, LP, LR & LS 8600 devices

### 730 Spindle Retrofit Kits are used to replace existing spindles for 06, 13, 15, 16, 73, 74, 75 & 76 function ET Trims

- Kits include Spindle, Retainer Plates, Mounting. Screws & Return Springs

730-1	700 Series Spindle 1-3/4" Door
730-2	700 Series Spindle 2" Door
730-3	700 Series Spindle 2-1/4" Door
730-4	700-4 Series Spindle 1-3/4" Door
730-5	700-4 Series Spindle 2" Door
730-6	700-4 Series Spindle 2-1/4" Door
730-7	700-8 Series Spindle 1-3/4" Door
730-8	700-8 Series Spindle 2" Door
730-9	700-8 Series Spindle 2-1/4" Door

# Mechanical Options and Descriptions

80 Series

**SARGENT**  
**ASSA ABLOY**

## Mechanical Options:

Categories	How to Specify	Detailed Description
Fire Rated	<b>12-</b>	UL Fire Label Exit hardware (not available with 16- & HK-)
SVR Bolt	<b>14-</b>	Sliding bolt bottom case for 8700
Cylinder Dogging	<b>16-</b>	Cylinder lockdown with # 41 Cylinder & # 97 Ring (not available with 12-, 59- or AL- Option)
	<b>LD-</b>	Less dogging for non fire rated devices
Less Touch Pad	<b>19-</b>	Pushbar without Lexan touchpad
8900/8300 Strike	<b>23-</b>	4-7/8" (124mm) ANSI flat lip strike (for 8900 & 8300 Series Mortise Lock Exit Devices)
Thick Doors	<b>31-</b>	Doors over 1-3/4" and/or Panels (Specify door thickness, panel thickness & location as required.) Not available for HC8700, FM8700. Extended lip strike supplied for 8300 & 8900 Series.
Security Fasteners	<b>36-</b>	Six lobe security head screws
	<b>37-</b>	Spanner head screws
Flush End cap	<b>43-</b>	Flush End Cap (Not available with LP, LR & LS Devices)
Indicator	<b>49-</b>	Indicator (Available on 8816 and 8866 functions only)
Electrical Options	<b>53-</b>	Latchbolt monitoring switch (not available with 49-, 59-, GL-, HC-, WS- or on FM8700, PP/PR/SP8600 & LP/LR/LS8600 Exit Devices)
	<b>54-</b>	Monitors ET Lever movement with Internal micro switch in ET Control
	<b>55-</b>	Request to Exit - Signal Switch in Rail (not available with 59- & FM8700)
	<b>56-</b>	Remote Latch Retraction (not available 58-, 59-, AL-, BT- or FM8700 Option)
	<b>56-HK-</b>	Remote Latch Retraction with manual Hex Key dogging (not available 12-, 58-, 59-, AL- or BT- Option)
	<b>58-</b>	Electric Rail Dogging (Not available 56- & 59-)
	<b>59-</b>	Electroguard® Self Contained Delayed Egress Device (not available with 16-, 53-, 55-, 56-, 58-, AL-, BT-, GL-, HC- & WS Option Prefixes, PP/PR/SP8600, LP/LR/LS8600 Exit Devices) (NB, 54- are available upon request) Not compatible with 300 Series Aux Controls on NB8700, 8700.
	<b>AL-</b>	Alarmed Exit (Not available 16-, 56-, 59-, BT-, GL-, HC-, HC4 & WS-) (minimum Dr width 36")
Tactile Warning Options	<b>76-</b>	Tactile Warning - Milled Outside Lever (not available with Studio & Coastal Levers and the A Lever)
	<b>85-</b>	Tactile Warning - Abrasive strip on Push Rail (Not available with PL-)
	<b>86-</b>	Tactile Warning - Abrasive coating on Outside Lever
	<b>87-</b>	Tactile Warning - Abrasive strip on Push Rail & Abrasive coating on Outside Lever (not available with PL-)
Finish Protection	<b>CPC-</b>	Clear Powder Coat (Available for 32 & 32D Finishes)
	<b>SG-</b>	MicroShield® antimicrobial clear powder coat (only available with 15, 26D and 32D finishes)
Top Rod Only	<b>NB-</b>	Less Bottom Rod & Bolt (for SVR & CVR Devices)
Guarded Latch	<b>GL-</b>	Guarded Latch for Rim Exit Devices (not available 53-, 59-, AL-, HC- & WS-)
SARGuide	<b>PL-</b>	SARGuide™ PL – Photoluminescent Coated Push Rail – (Touchpad eliminated) (not available 85, 87)
Through Bolts	<b>TB-</b>	Through Bolts for 8300, 8500, 8600, 8700, 8800 & 8900 Devices
Rail Force	<b>5CH-</b>	5lb. Pressure Release (8800, 8500, 8600 & 8400 devices only) Not available with 14-, 49-, 58-, 59-, BC-59, TI- Consult Factory: 23-, 31-, 36-, 37-, 43-, 54-, 55-, 56-HK, AL-, 76-, 87-, CPC-, SG-, NB-, GL-, TB
Weather Resistant	<b>WH-</b>	Weep Holes (8500 and 8800 devices only) (Not available with AL-, 56-, 58-, 59-, HC-, WS-, BC-, HC4-, TL- & PL-) (Only available with 03, 04, 09, 10, 10BL, 20D, 10BE, BSP, WSP & 32DCP Finishes)

Copyright © 1998-2025, SARGENT Manufacturing Company. All rights reserved. Reproduction in whole or in part without the express written permission of SARGENT Manufacturing Company is prohibited. Patent pending and/or patent www.assaabloydss.com/patents.

# Cylinder Options and Descriptions

## 80 Series

### Cylinder Options:

Conventional Cylinder	-	SARGENT Conventional Cylinders Supplied Standard (Unless Otherwise Specified)
Degree Key System	DG1-	SARGENT Degree Key System Level 1 (bump resistant with patented keys)
	DG1-21-	Degree Level 1 Construction Master Keying
	DG1-60-	Degree Level 1 Removable Disposable Construction Core
	DG1-63-	Degree Level 1 Removable Core
	DG1-64-	Degree Level 1 Removable Construction Keyed LFIC
	DG1-65-	Degree Level 1 Unassembled/Uncombined Core
	DG2-	SARGENT Degree Key System Level 2 (geographically exclusive; bump and pick resistant)
	DG2-21-	Degree Level 2 Construction Master Keying
	DG2-60-	Degree Level 2 Removable Disposable Construction Core
	DG2-63-	Degree Level 2 Removable Core
	DG2-64-	Degree Level 2 Removable Construction Keyed LFIC
	DG2-65-	Degree Level 2 Unassembled/Uncombined Core
	DG3-	SARGENT Degree Key System Level 3 (geographically exclusive; UL437 certified; bump and pick resistant)
	DG3-21-	Degree Level 3 Construction Master Keying
	DG3-60-	Degree Level 3 Removable Disposable Construction Core
DG3-63-	Degree Level 3 Removable Core	
DG3-64-	Degree Level 3 Removable Construction Keyed LFIC	
DG3-65-	Degree Level 3 Unassembled/Uncombined Core	
Signature Key System	10-	SARGENT Signature Key System (Not Available with other Key Systems)
	10-21-	SARGENT Signature Construction Key System (Lost Ball)
Signature- LFIC	10-63-	SARGENT Signature Large Format Interchangeable Core Cylinder (Removable)
XC- Key System	11-	XC Key System (Not available with other Key systems unless specified)
	11-21-	XC- Construction Key System (Lost Ball)
XC- Large Format Interchangeable Core (Removable Core)	11-60-	Device to accept XC- Permanent Large Format Interchangeable Core, Disposable plastic Core- provided
	11-63-	Device provided with XC- Large Format Interchangeable Core Cylinder - (Includes masterkeying, grand masterkeying)
	11-64-	Device provided with Keyed construction core to accept XC- Permanent Large Format Interchangeable Core (ordered separately)
XC- Small Format Interchangeable Core	11-70-7P-	Device to accept XC- SFIC ( 7-Pin) XC- Permanent Cores, plastic disposable core provided
	11-72-7P-	Device to accept XC- SFIC (7-Pin Keyed Construction Core provided) cylinder Permanent core ordered separately
	11-73-7P-	Device provided with XC- Small Format 7-Pin interchangeable core (Includes masterkeying, grand masterkeying)
	11-65-73-7P-	Device provided to accept XC- Uncombined 7-Pin SFIC (Permanent) Core - (Packed Loose)
Construction Key Systems	21-	SARGENT Lost Ball Construction Keying for Conventional, XC and Signature Series (N/A with 63- or 73-)
Old Style Removable Core	51-	Removable Core Cylinder (Old Style) provided (existing systems only)
	52-	Removable Construction Core (Old Style) Permanent core ordered separately (existing systems only)
Large Format Interchangeable Core (Removable Core)	60-	Device to accept SARGENT Permanent Large Format Interchangeable Core, Disposable plastic Core provided (Permanent Cores ordered separately)
	63-	Device provided with Large Format Interchangeable Core Cylinder - (Includes masterkeying, grand masterkeying)
	64-	Device provided with Keyed construction core to accept Permanent Large Format Interchangeable Core (ordered separately)
Small Format Interchangeable Core	70-	Device to accept 6- or 7-Pin SFIC Permanent Cores, plastic disposable core provided
	72-	Device to accept 6- or 7-Pin SFIC (6-Pin Keyed Construction Core provided) Cylinder (Permanent Core ordered separately)
	73-	Device provided with 6-Pin SFIC (Includes masterkeying, grand masterkeying)
	65-73-	Device provided to accept Uncombined 6-Pin SFIC (Permanent) Core - (Packed Loose for field keying)
	65-73-7P-	Device provided to accept Uncombined 7-Pin SFIC (Permanent) Core - (Packed Loose for field keying)
	73-7P-	Device provided with Small Format 7-Pin Interchangeable Core (Includes masterkeying, grand masterkeying)
Keso & Keso F1	81-	Device provided with housings to accept Keso (83) & Keso F1 (F1-83-) removable cores. (Permanent Cores ordered separately)
	82-	Device provided with SARGENT Keso Security Cylinder
	F1-82-	Device provided with SARGENT Keso F1 Security Cylinder (Patented)
	83-	Device provided with SARGENT Keso Security Removable Core cylinder
	F1-83-	Device provided with SARGENT Keso F1 Security Removable Core cylinder (Patented)
Added Security	84-	Device provided with SARGENT Keso Construction Cores (Permanent Cores ordered separately)
	BR-	Bump Resistant Cylinder (Available with Conventional & Conventional XC Cylinders Only)
Less Cylinder	LC-	Less Cylinder - SARGENT supplies standard blocking rings for 1-1/8" Cylinders (For longer cylinders order collars/rings separately)
Schlage Keyways	SC-	Schlage C keyway cylinder, 0 bitted (not available with: 8904, 8916, 8944, 8975, 8976, 8866, 8304, 8344, 8375 & 8376)
	SE-	Schlage E keyway cylinder, 0 bitted (not available with: 8904, 8916, 8944, 8975, 8976, 8866, 8304, 8344, 8375 & 8376)
Lever to Accept Schlage	SF-	L Lever to accept Schlage® large format interchangeable core (supplied less core, tailpiece included)

**Note:** For V-10 Cylinders and information, contact ASSA

Experience a safer  
and more open world

1-800-727-5477 • [www.sargentlock.com](http://www.sargentlock.com)

75

### How to Order Exit Devices

Example Order:

Options	12- Device Type	89 Function	75 Rail Size	F Trim	ETMR Voltage	12VDC Hand	RHR Outside Finish	26D Inside Finish	32D Door Width	36" Opening Height	84" AFF	41"
Available Options Listing Pgs 73-74	89 - Mortise	04 - Night Latch	E 24" -32"	For ET trim	12VDC	RHR	Available Finishes page 75	Inside Finish Available Finishes page 75	If door width is supplied rails will be cut to size	Required for Vertical Rod Exit Devices	Center Line of Rail Above Floor 41" Standard	
	WS89 - Mortise	06 - Night latch	F 33" -36"	specify ET followed by Lever design, See pages 60-62	24V0DC	LHR						
	88 - Rim	10 - Dummy	J 37" -42"		Voltage required for Solenoid Controlled Functions - 73, 74, 75 & 76							
	HC88 - Rim	13 - Classroom	G 43" -48"									
	WS88 - Rim	15 - Passage	Rail Sizes Listed Below are for LP, LR & LS Devices Only									
	87 - SVR	16 - Entrance		For Thumbpiece Trims and Pulls specify Trim Designation as specified by Device Type								
	NB87 - SVR	28 - TP Passage										
	HC87 - SVR	40 - FW Dummy										
	FM87 - SVR	43 - FW Classroom	L 36" Door									
	MD86 - CVR	44 - FW Night Latch	M 42" -44"									
	AD86 - CVR	46 - FW Night Latch	N 46" -48"									
	WD86 - CVR	62 - TP Night Latch										
	85 - Rim Narrow	63 - TP Classroom										
	MD84 - CVR Narrow	66 - TP Entrance										

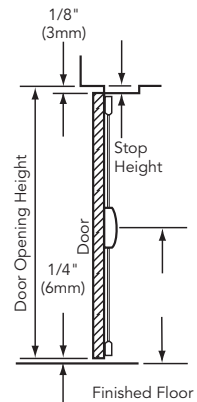
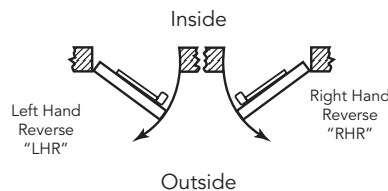
#### Legend

- |                                  |                            |
|----------------------------------|----------------------------|
| AD - Aluminum Door               | HC - Hurricane Code        |
| AFF - Above Finish Floor         | MD - Metal Door            |
| CTL - Center & Top Latching Exit | NB - No Bottom Rod         |
| CVR - Concealed Vertical Rod     | SVR - Surface Vertical Rod |
| ET - SARGENT External Lever Trim | TP - Thumbpiece Trim       |
| FM - FEMA                        | WD - Wood Door             |
| FW - Freewheeling Trim           | WS - Windstorm             |

#### Mounting Heights

- 41" (1041mm) from finished floor for standard application
- 38" (965mm) from finished floor for elementary schools and to meet local accessibility standards when a 100 or 300 Series Auxiliary Control is used (38" AFF must be specified)

#### Hand



# Finishes and Finish Care

## 80 Series

### Finish

SARGENT#	BHMA#	Description	How to clean	Avoid these cleaners		
3	605	Polished brass, clear coated	Mild non-abrasive detergent with damp cloth or sponge	Abrasive cleaners, bleach solvents, steel or bronze wool		
4	606	Satin brass, clear coated				
9	611	Polished bronze, clear coated				
10	612	Satin bronze, clear coated				
BSP	—	Black Suede Powder Coat				
32DCP	—	Satin stainless steel, clear coated				
10B	613	Oxidized bronze, oil rubbed	Lemon oil polished with dry cloth	Abrasive cleaners, bleach solvents, steel or bronze wool		
10BE	613E	Dark oxidized satin bronze, equivalent	Mild non-abrasive detergent with damp cloth or sponge	Abrasive cleaners, bleach solvents, steel or bronze wool		
10BL	613L	Oxidized satin, bronze, clear coated				
14*	618*	Polished nickel, clear coated				
15*	619*	Satin nickel, clear coated				
20D	624	Statuary dark bronze, clear coated				
26*	625*	Polished chrome				
26D*	626*	Satin chrome				
32*	629*	Polished stainless steel				
32D*	630*	Satin stainless steel			Plastic pad or bronze wool	Cleaners, solvents, bleach, steel wool

\* Exit devices are available in all standard finishes, except 14, 15, 26 & 26D. With these finishes, exit devices are supplied in 32 or 32D to match accordingly. 32 or 32D is automatically supplied when 26 or 26D is specified. For nickel finishes, specify 14/32 or 15/32D to receive nickel finished trims and stainless exit devices.

**Note:** FLW & FSW are NOT available in 32 or 32D

**Note:** Pulls and thumb piece trims are not available in 14, 15, 26 or 26D except FLW & FSW which are available in 14 and 15.

### Lock/Cylinder Finish

Device Finish	Cylinder/Core*
03, 04, 09, 10, 10B, 10BE, 10BL, 20D	04
14, 15, 26, 26D, 32, 32D	15
BSP	BSP

\*Finish when cylinder provided with Device

### To avoid discoloration and pitting:

- Keep stainless steel away from contact with other metals
- Avoid cleaning with mineral acids or chlorine products
- Avoid cleaning with abrasive products like sandpaper or steel wool

### To maintain the finish:

- Remove any contamination before damage occurs
- Protect with a metal polish or car wax

### 2.01 EXIT DEVICES

- A. Exit devices shall be 80 Series push rail devices as manufactured by SARGENT Manufacturing Company, New Haven, CT.
- B. Exit devices shall be certified to meet or exceed the requirements of ANSI/BHMA A156.3 Grade 1.
- C. Exit devices shall be listed by Underwriters Laboratories for panic and bear the UL label for life safety in full compliance with NFPA 80 and NFPA 101. Exit devices for fire labeled doors shall be UL listed as "Fire Exit Hardware".
- D. Exit Devices shall be certified to meet the requirements of ANSI/BHMA A156.41, Door Hardware Single Motion To Egress.
- E. Provide standard hex key dogging on non fire-rated exit devices, with cylinder dogging (i.e., SARGENT 16- option) as an option.
- F. Exit devices shall comply with UL 10C positive pressure requirements.
- G. Construction:
  - 1. Chassis shall be of heavy duty cast design with one piece drawn nonferrous removable covers matching the material of the push and mounting rails.
  - 2. Stamped steel chassis are not acceptable.
  - 3. Mounting rails shall be formed from a solid single piece of stainless steel, brass or bronze no less than 0.072 inches thick.
  - 4. Push rails shall be constructed of 0.062 inch thick material in the same manner as the mounting rail. Painted or anodized aluminum shall not be considered heavy duty and are not acceptable.
  - 5. Provide protective Lexan touchpad on the exit device push rail to prevent scratches and serve as a visible guide to the user.
  - 6. Metal end caps shall be formed from the same base metal as the push and mounting rails.
- H. Exit devices shall have a maximum of 3 inches projection from the face of the door in the non-dogged position. When in the dogged position, the device shall have no more than a 2-1/8 inch projection from the door face.
- I. The design of the exit device shall eliminate the necessity of removing the device from the door for standard maintenance or keying changes.
- J. The device chassis shall be mounted and operable without the need of the rail or the chassis cover.
- K. Trim shall be through-bolted.
- L. Devices shall be available with matching trim for both wide and narrow stile doors, including electrified functions when required.
- M. Exit device operating lever trim shall withstand 1000 inch pounds of torque without allowing access.
- N. Lever trim shall be available in architectural finishes and designs to match that of the locksets specified.
- O. Provide electrified exit devices with ElectroLynx® standardized plug connectors to accommodate up to twelve wires.
- P. Plug connectors shall plug directly into ElectroLynx® through-door wiring harnesses for connection to electric transfer hinge and power supplies.
- Q. Provide sufficient number of concealed wires to accommodate electric function of specified hardware.
- R. Exit devices shall have a five year limited warranty.

These guidelines should be referenced regularly and as required for proper appearance and longevity of finish.

# Notes

## 80 Series

Copyright © 1998-2025, SARGENT Manufacturing Company. All rights reserved. Reproduction in whole or in part without the express written permission of SARGENT Manufacturing Company is prohibited. Patent pending and/or patent [www.assaabloydss.com/patents](http://www.assaabloydss.com/patents).

The ASSA ABLOY Group is the global leader in access solutions. Every day, we help billions of people experience a more open world.

ASSA ABLOY Opening Solutions leads the development within door openings and products for access solutions in homes, businesses and institutions. Our offering includes doors, frames, door and window hardware, mechanical and smart locks, access control and service.

**SARGENT**<sup>®</sup>  
**ASSA ABLOY**

SARGENT Manufacturing Company  
100 Sargent Drive  
New Haven, CT 06511 USA  
800-727-5477  
[www.sargentlock.com](http://www.sargentlock.com)

Founded in the early 1800s, SARGENT<sup>®</sup> is a market leader in locksets, cylinders, door closers, exit devices, electro-mechanical products and access control systems for new construction, renovation, and replacement applications. The company's customer base includes commercial construction, institutional, and industrial markets.

Copyright © 1998-2025, SARGENT Manufacturing Company. All rights reserved. Reproduction in whole or in part without the express written permission of SARGENT Manufacturing Company is prohibited. Patent pending and/or patent [www.assaabloydss.com/patents](http://www.assaabloydss.com/patents).