



Record USA Low Energy Products Price List

List Pricing effective August 1, 2024 (Rev 1)

Table of Contents

Company Contacts	4
Manufacturers Rep Agencies	5
Terms and Conditions & Quick Ship Program	6
Handing Terminology	7
HA7	8
HA8-LP	9
HA8-SP	11
HA9	13
SS8200 (SimpleSwing)	15
EZ36	17
Exploded Views	
HA7	18
HA8-LP	19
HA8-SP	20
HA9	22
SS8200	24
Spare Parts Pricing	
Controls	25
Operators/Motor Gearboxes	25
Arms	25
Miscellaneous Parts	27
Decals	29
Accessories & Activation Pricing	
Activation	30
Accessories	31

This price list supersedes and cancels all previous price lists. Prices shown are subject to change without notice. Login to the distributor area for most current revision.

Record USA Inc.

4324 Phil Hargett Rd.
Monroe, NC 28110
Main Line (HA Products): 704 290 0980 - 866 901 4284
Main Line (SS Products): 704 289 9212
www.recorddoors.com

Inside Sales Team

Mark Dugo
Vice President of Sales
704 292 5373
mark.dugo@recorddoors.com

Blue Houser
Vice President of Business Development
803 804 3768
blue.houser@recorddoors.com

Jennifer Griffin
Sales Operations Manager
704 290 0201
jennifer.griffin@recorddoors.com

Missy Laney
Senior Account Manager
Phone: 704 290 0980
missy.laney@recorddoors.com

Misty Kohnle
Customer Service Manager
704 290 0223
misty.kohnle@recorddoors.com

Product Support

HA Product Line
Dan Wise
Phone: 833 921 1337
dan.wise@recorddoors.com

SS8200 Line
Frank Keeling
Phone: 515 707 8671
frank.keeling@recorddoors.com

Outside Sales Team

John Harraman
Sales Development Representative
Mobile: 980 425 2860
john.harraman@recorddoors.com

Mark Huntsman
Director of Technical Sales
Mobile: 704 681 1411
mark.huntsman@recorddoors.com

Liam Lehn
Business Development Manager
Mobile: 330 360 2601
liam.lehn@recorddoors.com

Tony Licciardello
OEM Sales Manager
Mobile: 704 609 3674
tony.licciardello@recorddoors.com

David Pickers
Vice President of Direct Sales
Mobile: 704 315 7392
david.pickers@recorddoors.com

Timothy Usnik
Strategic Sales Distribution Manager
Mobile: 404 290 8522
timothy.usnik@recorddoors.com

Holiday Schedule

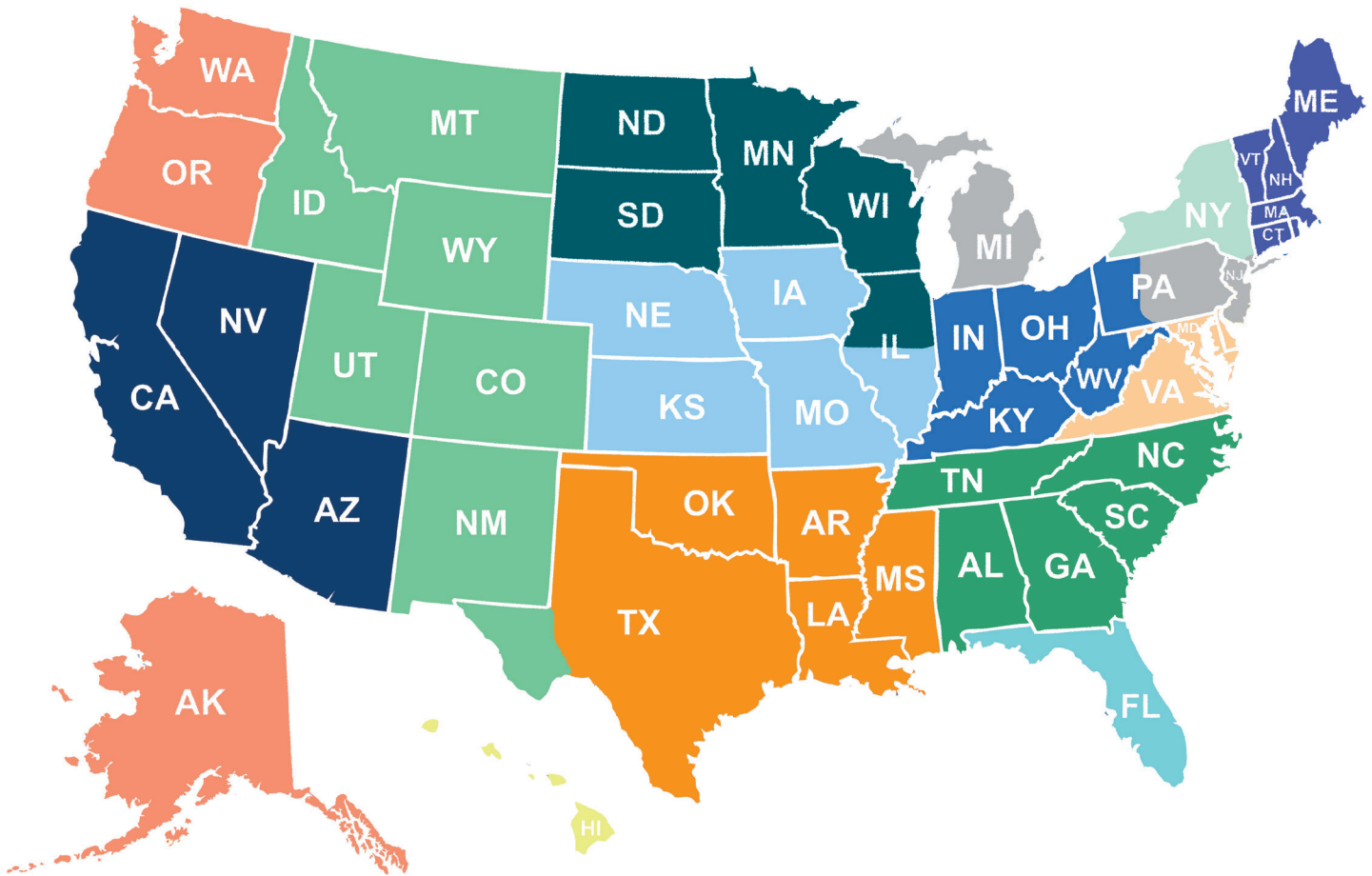
Record USA will be CLOSED on the following dates:

2024

New Year's Day - January 1
Presidents' Day - February 19
Memorial Day - May 27
Juneteenth - June 19
Independence Day – July 4
Labor Day – September 2
Thanksgiving Day – November 28
Day After Thanksgiving – November 29
Christmas Eve (observed) - December 24
Christmas - December 25

* dates subject to change

Manufacturers Rep Agencies



Liam Lehn (MI, Eastern PA, NJ, NY Metro)
330 360 2601, liam.lehn@recorddoors.com

AWA (IN, KY, OH, WV, Western PA)
Austin Wendt 248 961 6163, austin@awareps.com

ASA (IA, So IL, NE, KS, MO)
John DeFrates 847 691 6937 jdfrates@charter.net

MAS (CT, MA, VT, NH, ME, RI)
Mark Szczepanski 860 604 1769 mark@massalesllc.com

AMA (FL)
Jack Sheehan 407 353 1223 jack@division8consulting.com

ASH (So CA, So NV, AZ)
Mark Ferraro 714 920 6440, mark.ferraro@ash.team
Sequoia Sales (CA, NV, AZ)
Fred Chubbuck 559 799 2130, fred.chubbuck@gmail.com

Dugan Associates (NY, excluding NYC)
Kyle Learch 518 281 4018, kyle@duganassoc.com

WJ Schelp (ND, SD, MN, WI, No IL)
Scott Schelp 612 859 4890 scott@wjschelp.com

SSG (TX, AR, LA, OK, MS)
Greg Schuck 972 880 1677, gregschuck@ssg-texas.com

Region West (WA, OR, AK)
Rich Ward 702 232 1022

Steel-Bréz (CO, UT, MT, WY, ID, NM, El Paso Area)
800 321 7233, darlene@steele-brez.com

Tillman Sales (NC, SC, GA, TN, AL)
Grant Tillman 470 922 5022, grant@tillmansalesgroup.com

Core Products (HI)
Brad 808 866 2117

John Harraman (MD, DC, VA, DE)
980 425 2860, john.harraman@recorddoors.com

Terms and Conditions

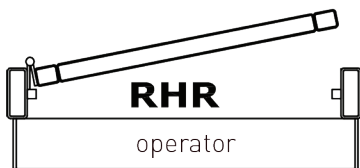
- » Cancelled orders are subject to fees.
- » Minimum \$50 order (all orders received less than \$50 will be invoiced at \$50)
- » To confirm your discount and/or net pricing please contact your customer service representative.
- » To discuss volume requirements to achieve the next level of pricing, please contact Record sales management.



- » Items listed in bold qualify for *Quick Ship*.
- » \$15 drop ship fee.
- » Orders placed by 11:00am EST will ship same day; orders placed after 11 will ship next day.
- » FREE ground freight.
- » 25% is added to list price for *Quick Ship* items.
- » We reserve the right to limit quantities.
- » No changes or cancellations will be accepted.
- » Quoted projects do not qualify for *Quick Ship* program.

Swing Door Operator Handing Terminology Chart

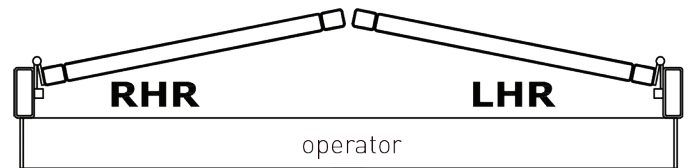
Note: Operator Handing Terminology is universal for all types of door pivot rotation. Door can be Butt Hung as shown; Continuous Hinge; Offset Pivot or Overhead Concealed Center Pivot.



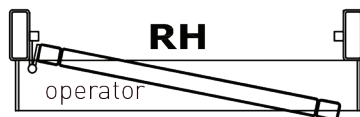
RHR
operator
LEFT HAND PUSH ARM
(OUTSWING)



LHR
operator
RIGHT HAND PUSH ARM
(OUTSWING)



RHR **LHR**
operator
DUAL (PAIR) PUSH ARM
(OUTSWING)



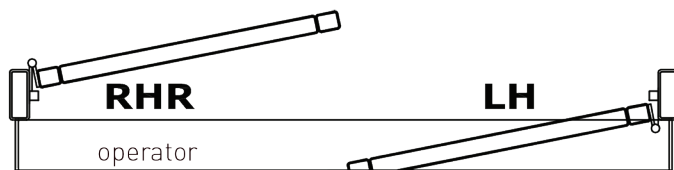
RH
operator
RIGHT HAND PULL TRACK
(INSWING)



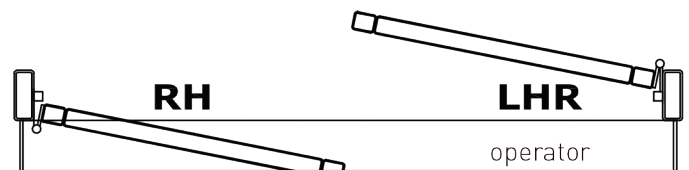
LH
operator
LEFT HAND PULL TRACK
(INSWING)



RH **LH**
operator
DUAL (PAIR) PULL TRACK
(INSWING)



RHR **LH**
operator
LEFT HAND
DUAL (DOUBLE) EGRESS



RH **LHR**
operator
RIGHT HAND
DUAL (DOUBLE) EGRESS

Header Sizing Guidelines

Header Size	Door Opening Width (DOW)
39"	36" Single
45"	42" Single
51"	48" Single
75"	72" Pair
87"	84" Pair
99"	96" Pair

HA7 Series Door Operators

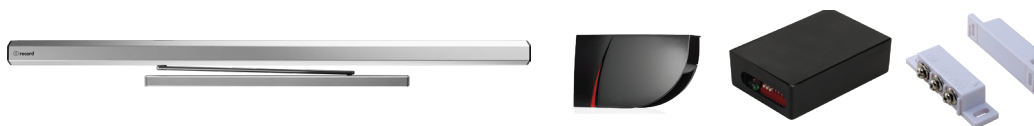


Base package prices below include:

- » Two year warranty
- » Non-handed operator with controller
- » Push and Pull Arms
- » One piece, clear or dark bronze cover
- » Mounting hardware
- » Power adaptor
- » Power adaptor holder
- » Extension cable

Part #	Application	Finish	List Price
HA7-100	Single, 39" header, push & pull combo	Clear	\$3,556.00
HA7-200	Single, 39" header, push & pull combo	Dark Bronze	\$3,556.00
Accessories			
W7-330000831-FU	Push arm shaft extension 20mm/35mm kit	Black	\$65.00
W7-330000832-FU	Pull arm shaft extension 28mm/43mm kit	Black	\$65.00
W7-1021003-FU	Power box with adapter; <i>supports wall mounted/flush mounted options</i> box: 12" x 8" x 4" box cover: 13.5" x 9.5"	n/a	\$534.00

HA7 Trash Room Kits



Kit includes:

- » HA7 operator
- » LE Flat Scan
- » Logic Relay
- » Door Position Switch & Lock Kick

Part #	Application	Finish	List Price
HA7-100TR-LH	Left Hand	Clear	\$5,710.00
HA7-100TR-RH	Right Hand	Clear	\$5,710.00
HA7-200TR-LH	Left Hand	Dark Bronze	\$5,710.00
HA7-200TR-RH	Right Hand	Dark Bronze	\$5,710.00

Notes:

- » Standard orders will ship in 3-5 business days.
- » Warranty: 0-18 months from the date of door operator purchase: Repair or replace parts. Excludes wear parts.

Power Buy Program: We're excited to continue offering our improved quantity break program. Buying at the quantities below awards you the additional discount off of your base operator net price. This program is product specific and cannot be combined with other product lines to reach a discount level. This program cannot be combined with other buying programs. Contact your sales rep to discuss. The discount is applied to the base price of the operator, excluding any added options.

- » 10-19 operators 3.5%
- » 20-29 operators 8.0%
- » 30-49 operators 16.4%
- » 50+ operators 20.8%

Free Freight Program: Introducing a second incentive program for you. When you order \$15,000 in HA Series product, we'll cover the freight! This program is product specific and cannot be combined with other product lines to reach the minimum threshold needed to receive.

HA8-LP Series Door Operators



IMPORTANT CHANGES THIS YEAR:

- » See Power Buy program details below. » Call to determine if your order qualifies for QuickShip.
- » See Free Freight program details below. » Note change to freight policy.

Base package prices below include:

- » Two year warranty
- » Non-handed operator with controller
- » Arm
- » One piece, clear or dark bronze cover
- » Mounting hardware
- » Required decals to meet ANSI specifications

Unit	Application	Finish	List Price
HA8-LP (single, 39", 45" or 51")	Push or Pull	Clear or Bronze	\$3,970.00
HA8-LP (single, 39", 45" or 51")	Universal Arm with extended pull track	Clear or Bronze	\$4,182.00
HA8-LP (dual 75", 87", 99")	Push or Pull, Fits pair of 36", 42" or 48" doors	Clear or Bronze	\$7,940.00
HA8-LP (dual 75", 87", 99")	Universal Arm, Fits pair of 36", 42" or 48" doors	Clear or Bronze	\$8,364.00
	Factory Upgrades		
	Dual Egress Feature	Add	\$412.00
	Extended Spindle 1/2" (WL-PO108-FU)	Add	\$256.00
	Black Anodized for single units (39", 45" or 51")	Add	\$400.00
	Black Anodized for dual units (75")	Add	\$800.00

Notes:

- » *Warranty: 0-24 months from the date of door operator purchase, repair or replace parts. Excludes wear parts. 25-36 months from the date of door operator purchase, parts replaced at 50% of cost, excluding wear parts.*
- » *Upgrade prices reflect a single motor/gearbox (except Dual Egress). Estimate cost accordingly.*
- » *Items in bold qualify for Quick Ship.*
- » *Standard orders will ship in 3-5 business days.*

Power Buy Program: We're excited to continue offering our improved quantity break program. Buying at the quantities below awards you the additional discount off of your net price. **This program is not applicable with certain buying programs. Contact your sales rep for eligibility.**

- » 10-19 operators 3.5%
- » 20-29 operators 8.0%
- » 30-49 operators 16.4%
- » 50+ operators 20.8%

Free Freight Program: Introducing a second incentive program for you. When you order \$15,000 in HA Series product, we'll cover the freight! This program is product specific and cannot be combined with other the SS8200 to reach the minimum threshold needed to receive.

HA8-LP Series Door Operators Standard Part Numbers

Part #	Application	Finish	Header Size	List Price
WL-102-39	Left Hand Pull	Clear (CL)	39"	\$3,970.00
WL-106-39	Left Hand Pull	Bronze (BZ)	39"	\$3,970.00
WL-102-45	Left Hand Pull	Clear (CL)	45"	\$3,970.00
WL-106-45	Left Hand Pull	Bronze (BZ)	45"	\$3,970.00
WL-102-51	Left Hand Pull	Clear (CL)	51"	\$3,970.00
WL-106-51	Left Hand Pull	Bronze (BZ)	51"	\$3,970.00
WL-104-39	Right Hand Pull	Clear (CL)	39"	\$3,970.00
WL-108-39	Right Hand Pull	Bronze (BZ)	39"	\$3,970.00
WL-104-45	Right Hand Pull	Clear (CL)	45"	\$3,970.00
WL-108-45	Right Hand Pull	Bronze (BZ)	45"	\$3,970.00
WL-104-51	Right Hand Pull	Clear (CL)	51"	\$3,970.00
WL-108-51	Right Hand Pull	Bronze (BZ)	51"	\$3,970.00
WL-101-39	Push	Clear (CL)	39"	\$3,970.00
WL-105-39	Push	Bronze (BZ)	39"	\$3,970.00
WL-101-45	Push	Clear (CL)	45"	\$3,970.00
WL-105-45	Push	Bronze (BZ)	45"	\$3,970.00
WL-101-51	Push	Clear (CL)	51"	\$3,970.00
WL-105-51	Push	Bronze (BZ)	51"	\$3,970.00
WL-101-75	Pair Doors Push	Clear (CL)	75"	\$7,940.00
WL-105-75	Pair Doors Push	Bronze (BZ)	75"	\$7,940.00
WL-104-75	Pair Doors Pull	Clear (CL)	75"	\$7,940.00
WL-108-75	Pair Doors Pull	Bronze (BZ)	75"	\$7,940.00

HA8-SP Series Door Operators



IMPORTANT CHANGES THIS YEAR:

- » See Power Buy program details below.
- » Consult with factory to verify this product is available to you.
- » Call to determine if your order qualifies for QuickShip.
- » Note change to freight policy.

Base package prices below include:

- » Two year warranty
- » handed operator with controller
- » Arm
- » clear or dark bronze cover
- » Mounting hardware
- » Required decals to meet ANSI specifications

Unit	Application	Finish	List Price
HA8-SP (single, 39", 45" or 51")	Push or Pull	Clear or Bronze	\$4,365.00
HA8-SP (dual 75")	Push or Pull, Fits pair of 36" doors	Clear or Bronze	\$8,730.00
HA8-SP (dual 87")	Push or Pull, Fits pair of 42" doors	Clear or Bronze	\$8,730.00
HA8-SP (dual 99")	Push or Pull, Fits pair of 48" doors	Clear or Bronze	\$8,730.00
	Factory Upgrades		
	Push and Go	Add	\$604.00
	Dual Egress Feature	Add	\$412.00
	Extended Spindle Shaft – 9-3/4"	Add	\$318.00
	Black Anodized for single units (39", 45", 51")	Add	\$400.00
	Black Anodized for dual units (75")	Add	\$800.00

Notes:

- » *Warranty: 0-24 months from the date of door operator purchase, repair or replace parts. Excludes wear parts. 25-36 months from the date of door operator purchase, parts replaced at 50% of cost, excluding wear parts.*
- » *Upgrade prices reflect a single motor/gearbox (except Dual Egress). Estimate cost accordingly.*
- » *Items in bold qualify for Quick Ship.*
- » *Standard orders will ship in 3-5 business days.*

Power Buy Program: We're excited to continue offering our improved quantity break program. Buying at the quantities below awards you the additional discount off of your net price. **This program is not applicable with certain buying programs. Contact your sales rep for eligibility.**

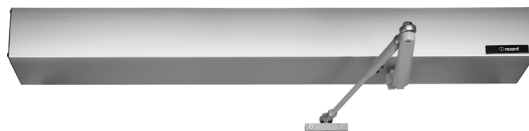
- » 10-19 operators 3.5%
- » 20-29 operators 8.0%
- » 30-49 operators 16.4%
- » 50+ operators 20.8%

Free Freight Program: Introducing a second incentive program for you. When you order \$15,000 in HA Series product, we'll cover the freight! This program is product specific and cannot be combined with the SS8200 to reach the minimum threshold needed to receive.

HA8-SP Series Door Operators Standard Part Numbers

Part #	Application	Finish	Header Size	List Price
W9-103-39	Right Hand Push	Clear (CL)	39"	\$4,365.00
W9-107-39	Right Hand Push	Bronze (BZ)	39"	\$4,365.00
W9-103-45	Right Hand Push	Clear (CL)	45"	\$4,365.00
W9-107-45	Right Hand Push	Bronze (BZ)	45"	\$4,365.00
W9-103-51	Right Hand Push	Clear (CL)	51"	\$4,365.00
W9-107-51	Right Hand Push	Bronze (BZ)	51"	\$4,365.00
W9-101-39	Left Hand Push	Clear (CL)	39"	\$4,365.00
W9-105-39	Left Hand Push	Bronze (BZ)	39"	\$4,365.00
W9-101-45	Left Hand Push	Clear (CL)	45"	\$4,365.00
W9-105-45	Left Hand Push	Bronze (BZ)	45"	\$4,365.00
W9-101-51	Left Hand Push	Clear (CL)	51"	\$4,365.00
W9-105-51	Left Hand Push	Bronze (BZ)	51"	\$4,365.00
W9-111-75	Pair Doors Push	Clear (CL)	75"	\$8,730.00
W9-113-75	Pair Doors Push	Bronze (BZ)	75"	\$8,730.00
W9-104-39	Right Hand Pull	Clear (CL)	39"	\$4,365.00
W9-108-39	Right Hand Pull	Bronze (BZ)	39"	\$4,365.00
W9-104-45	Right Hand Pull	Clear (CL)	45"	\$4,365.00
W9-108-45	Right Hand Pull	Bronze (BZ)	45"	\$4,365.00
W9-104-51	Right Hand Pull	Clear (CL)	51"	\$4,365.00
W9-108-51	Right Hand Pull	Bronze (BZ)	51"	\$4,365.00
W9-102-39	Left Hand Pull	Clear (CL)	39"	\$4,365.00
W9-106-39	Left Hand Pull	Bronze (BZ)	39"	\$4,365.00
W9-102-45	Left Hand Pull	Clear (CL)	45"	\$4,365.00
W9-106-45	Left Hand Pull	Bronze (BZ)	45"	\$4,365.00
W9-102-51	Left Hand Pull	Clear (CL)	51"	\$4,365.00
W9-106-51	Left Hand Pull	Bronze (BZ)	51"	\$4,365.00
W9-112-75	Pair Doors Pull	Clear (CL)	75"	\$8,730.00
W9-114-75	Pair Doors Pull	Bronze (BZ)	75"	\$8,730.00

HA9 Series Door Operators



IMPORTANT CHANGES THIS YEAR:

- » See Power Buy program details below.
- » Consult with factory to verify this product is available to you.
- » Call to determine if your order qualifies for QuickShip.
- » Note change to freight policy.

Base package prices below include:

- » Two year warranty
- » Non-handed operator with controller
- » Arm
- » One piece, clear or dark bronze cover
- » Mounting hardware
- » Required decals to meet ANSI specifications

Unit	Application	Finish	List Price
HA9 (single, 39", 45" or 51")	Push or Pull	Clear or Bronze	\$4,198.00
HA9 (dual 75", 87" or 99")	Push or Pull, Fits pair of 36", 42" or 48" doors	Clear or Bronze	\$8,396.00
	Factory Upgrades		
	Dual Egress Feature	Add	\$508.00
	Safety Auxiliary Board (W8-860-FU)	Add	\$439.00
	Battery backup (W8-855-FU)	Add	\$622.00
	Spindle extension (W8-865-FU)	Add	\$131.00
	Reveal Spacer Extrusion-Black (1 9/16" x 2 3/8")(W8-863-BLK-FU)	Add	\$50.00
	Reveal Spacer Extrusion-Clear (1 9/16" x 2 3/8")(W8-863-SI-FU)	Add	\$50.00
	Black Anodized for single units (39", 45" or 51")	Add	\$400.00
	Black Anodized for dual units (75")	Add	\$800.00

Notes:

- » *Warranty: 0-24 months from the date of door operator purchase, repair or replace parts. Excludes wear parts. 25-36 months from the date of door operator purchase, parts replaced at 50% of cost, excluding wear parts.*
- » *Upgrade prices reflect a single motor/gearbox (except Dual Egress). Estimate cost accordingly.*
- » *Items in bold qualify for Quick Ship.*
- » *Standard orders will ship in 3-5 business days.*

Power Buy Program: We're excited to continue offering our improved quantity break program. Buying at the quantities below awards you the additional discount off of your net price. **This program is not applicable with certain buying programs. Contact your sales rep for eligibility.**

- » 10-19 operators 3.5%
- » 20-29 operators 8.0%
- » 30-49 operators 16.4%
- » 50+ operators 20.8%

Free Freight Program: Introducing a second incentive program for you. When you order \$15,000 in HA Series product, we'll cover the freight! This program is product specific and cannot be combined with the SS8200 to reach the minimum threshold needed to receive.

HA9 Series Door Operators Standard Part Numbers

Part #	Application	Finish	Header Size	List Price
HA9-102-39	Pull	Clear (CL)	39"	\$4,198.00
HA9-106-39	Pull	Bronze (BZ)	39"	\$4,198.00
HA9-102-45	Pull	Clear (CL)	45"	\$4,198.00
HA9-106-45	Pull	Bronze (BZ)	45"	\$4,198.00
HA9-102-51	Pull	Clear (CL)	51"	\$4,198.00
HA9-106-51	Pull	Bronze (BZ)	51"	\$4,198.00
HA9-102-75	Pair Pull	Clear (CL)	75"	\$8,396.00
HA9-106-75	Pair Pull	Bronze (BZ)	75"	\$8,396.00
HA9-101-39	Push	Clear (CL)	39"	\$4,198.00
HA9-105-39	Push	Bronze (BZ)	39"	\$4,198.00
HA9-101-45	Push	Clear (CL)	45"	\$4,198.00
HA9-105-45	Push	Bronze (BZ)	45"	\$4,198.00
HA9-101-51	Push	Clear (CL)	51"	\$4,198.00
HA9-105-51	Push	Bronze (BZ)	51"	\$4,198.00
HA9-101-75	Pair Push	Clear (CL)	75"	\$8,396.00
HA9-105-75	Pair Push	Bronze (BZ)	75"	\$8,396.00

SS8200/SimpleSwing Series Door Operators



IMPORTANT CHANGES THIS YEAR:

- » See Power Buy program details below. » Call to determine if your order qualifies for QuickShip.
- » See Free Freight program details below. » Note change to freight policy.

Base package prices below include:

- » 3-year warranty from date of shipment
- » Non-handed operator with controller
- » SimpleLynk Display
- » Slide Track or Standard Arm
- » Square two piece cover up to 96" DOW
- » Mounting hardware
- » Clear or dark bronze covers
- » Required decals to meet ANSI specifications
- » Matching arms to unit finish specified

Unit/Header Size	Application/DOW	Finish	List Price
SS8200 (single, 39", 45" or 51")	Push or Pull, 36", 42", 48" DOW	Clear or Dark Bronze	\$5,176.00
SS8200 (dual 63", 75", 87", 99")	Push or Pull, 60", 72", 84", 96" DOW	Clear or Dark Bronze	\$10,352.00
SS8200 (dual egress 63", 75", 87", 99")	Dual Egress, 60", 72", 84", 96" DOW	Clear or Dark Bronze	\$10,676.00
Factory Installed Upgrades			
	Offset Arm (single)	Add	\$320.00
	Offset Arm (dual)	Add	\$640.00
	Black Anodized (single)	Add	\$238.00
	Black Anodized (dual)	Add	\$476.00
	Battery Backup Installed (single)	Add	\$1,085.00
	Battery Backup Installed (dual)	Add	\$2,170.00
	Brake (single)	Add	\$1,000.00
	Brake (dual)	Add	\$2,000.00
	Single Operator in Paired Cover	Add	\$480.00

Notes:

- » Operators can be mounted on the push or pull side of the door.
- » Slide track arm and standard arm will work on push or pull side.
- » Operators are field reversible.
- » Standard arm- limitation: 12" reveal push, 1" reveal on pull side, pull side requires 7" clearance between door frame and opposing wall.
- » Slide track arm-limitation: 3" reveal pull side, 6" reveal push side.

Power Buy Program: We're excited to continue offering our improved quantity break program. Buying at the quantities below awards you the additional discount off of your base operator net price. This program is product specific and cannot be combined with other product lines to reach a discount level. This program cannot be combined with other buying programs. Contact your sales rep to discuss. The discount is applied to the base price of the operator, excluding any added options.

- » 10-19 operators 3.5%
- » 20-29 operators 8.0%
- » 30-49 operators 16.4%
- » 50+ operators 20.8%

Free Freight Program: Introducing a second incentive program for you. When you order \$15,000 in SS8200 material, we'll cover the freight! This program is product specific and cannot be combined with other product lines to reach the minimum threshold needed to receive.

SS8200/SimpleSwing Series Door Operators Standard Part Numbers

Part #	Handing	Finish	Header/DOW	List Price
SS8211C2SNN_36	LHR Standard	Clear	39"/36"	\$5,176.00
SS8211C2SNN_42	LHR Standard	Clear	45"/42"	\$5,176.00
SS8211C2SNN_48	LHR Standard	Clear	51"/48"	\$5,176.00
SS8211D2SNN_36	LHR Standard	Dark Bronze	39"/36"	\$5,176.00
SS8211D2SNN_42	LHR Standard	Dark Bronze	45"/42"	\$5,176.00
SS8211D2SNN_48	LHR Standard	Dark Bronze	51"/48"	\$5,176.00
SS8261C2S4S_72	LHR-RHR Standard	Clear	75"/72"	\$10,352.00
SS8261D2S4S_72	LHR-RHR Standard	Dark Bronze	75"/72"	\$10,352.00
SS8202C1TNN_36	LH Track	Clear	39"/36"	\$5,176.00
SS8202C1TNN_42	LH Track	Clear	45"/42"	\$5,176.00
SS8202C1TNN_48	LH Track	Clear	51"/48"	\$5,176.00
SS8202D1TNN_36	LH Track	Dark Bronze	39"/36"	\$5,176.00
SS8202D1TNN_42	LH Track	Dark Bronze	45"/42"	\$5,176.00
SS8202D1TNN_48	LH Track	Dark Bronze	51"/48"	\$5,176.00
SS8252C1T3T_72	LH-RH Track	Clear	75"/72"	\$10,352.00
SS8252D1T3T_72	LH-RH Track	Dark Bronze	75"/72"	\$10,352.00

EZ36 Kits - Automate a 36" Door in One Box



IMPORTANT CHANGES THIS YEAR:

- » Two year warranty
- » See Power Buy program details below.
- » Consult with factory to verify this product is available to you.
- » Call to determine if your order qualifies for QuickShip.
- » Note change to freight policy.

Kit includes:

- » (1) HA7, HA8-LP or HA9 operator
- » (2) square 4.5" push plates
- » (2) surface mount boxes
- » (2) 900 MHz transmitters
- » (1) 900 MHz receiver
- » Required decals to meet ANSI specifications

Part No.	Operator	Application	Finish	List Price
HA7-100EZ	HA7	Push/Pull Arm Combo	Clear (CL)	\$3,705.00
HA7-200EZ	HA7	Push/Pull Arm Combo	Dark Bronze (BZ)	\$3,705.00
W9-200	HA8-LP	Push	Clear (CL)	\$5,566.00
W9-205	HA8-LP	Pull (left hand)	Clear (CL)	\$5,566.00
W9-210	HA8-LP	Pull (right hand)	Clear (CL)	\$5,566.00
W9-215	HA8-LP	Universal	Clear (CL)	\$5,712.00
W9-220	HA8-LP	Push	Dark Bronze (BZ)	\$5,566.00
W9-225	HA8-LP	Pull (left hand)	Dark Bronze (BZ)	\$5,566.00
W9-230	HA8-LP	Pull (right hand)	Dark Bronze (BZ)	\$5,566.00
W9-235	HA8-LP	Universal	Dark Bronze (BZ)	\$5,712.00
HA9-202CLR	HA9	Push	Clear (CL)	\$5,596.00
HA9-201CLR	HA9	Pull	Clear (CL)	\$5,596.00
HA9-202BRZ	HA9	Push	Dark Bronze (BZ)	\$5,596.00
HA9-201BRZ	HA9	Pull	Dark Bronze (BZ)	\$5,596.00
		Factory Upgrades		
		Black Anodized (excluding HA7)	Add	\$400.00

Notes:

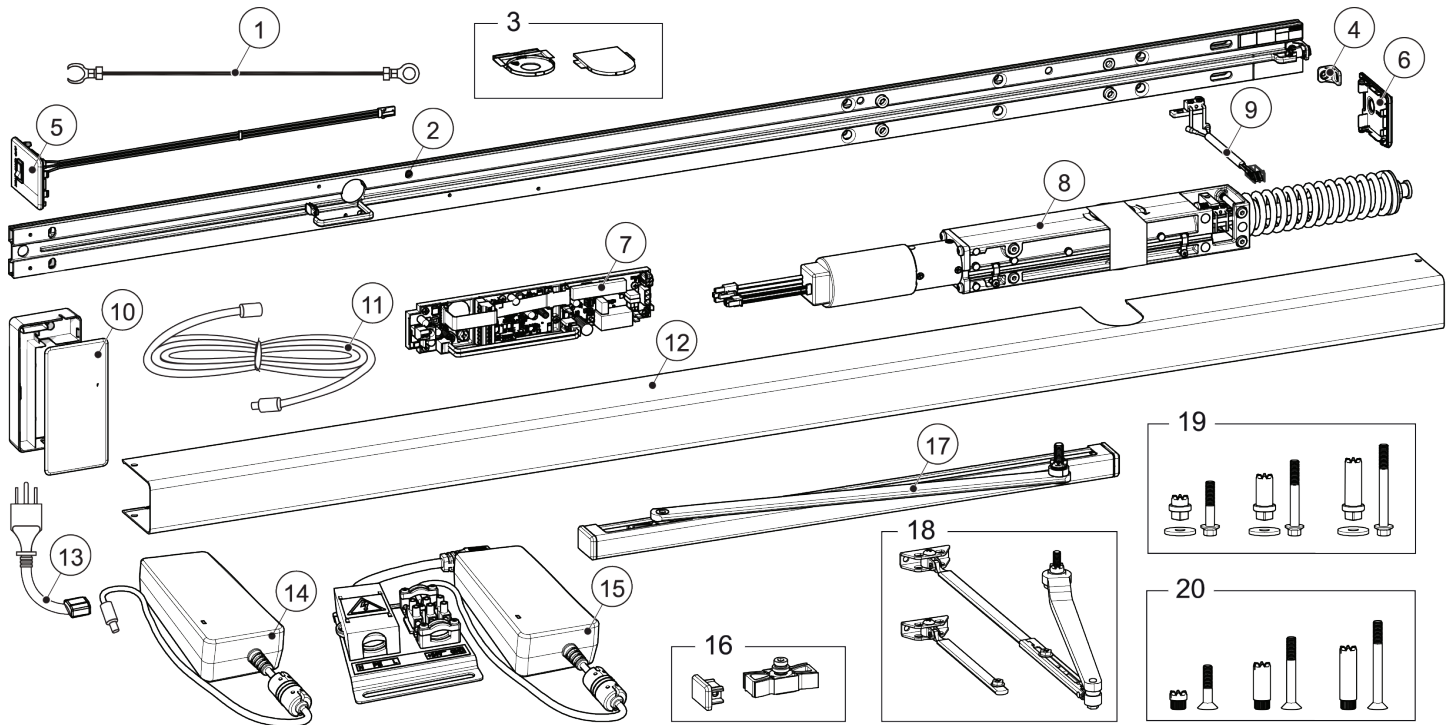
- » *Warranty: 0-24 months from the date of door operator purchase, repair or replace parts. Excludes wear parts. 25-36 months from the date of door operator purchase, parts replaced at 50% of cost, excluding wear parts.*
- » *Push plates also available in blue with "push to open" text by request.*
- » *Items in bold qualify for Quick Ship.*
- » *Standard orders will ship in 3-5 business days.*

Power Buy Program: We're excited to continue offering our improved quantity break program. Buying at the quantities below awards you the additional discount off of your net price. **This program is not applicable with certain buying programs. Contact your sales rep for eligibility.**

- » 10-19 operators 3.5%
- » 20-29 operators 8.0%
- » 30-49 operators 16.4%
- » 50+ operators 20.8%

Free Freight Program: Introducing a second incentive program for you. When you order \$15,000 in HA Series product, we'll cover the freight! This program is product specific and cannot be combined with the SS8200 to reach the minimum threshold needed to receive.

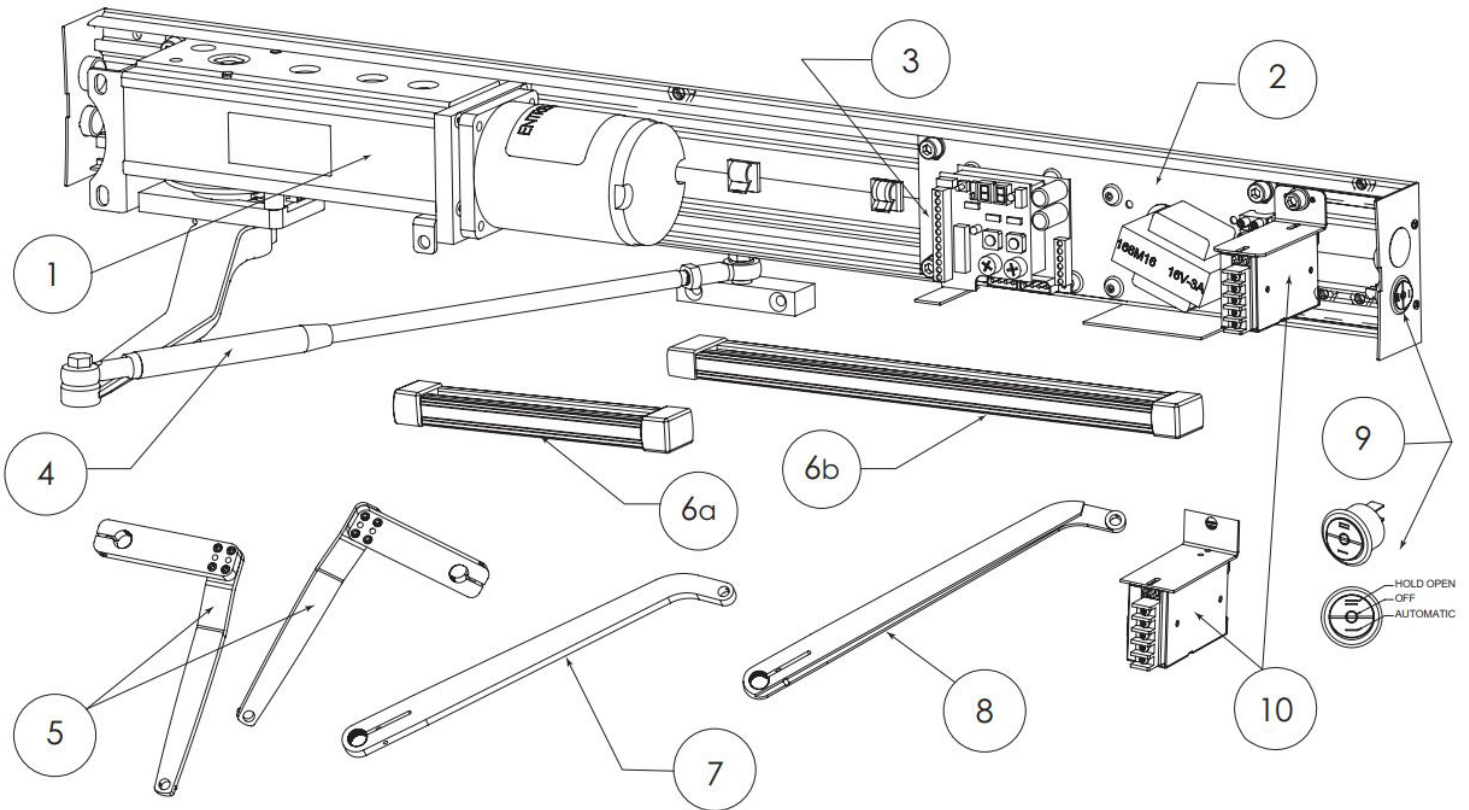
Replacement Parts - HA7



Item	Part #	Description
1	W7-331020157	ground wire
2	W7-330000828	back plate with power cable
3	W7-331020445BK	spindle cover kit (black)
	W7-331020445PD	spindle cover kit (grey)
4	W7-331019785	bracket power plug
5	W7-331020704BK	endplate with control switch (black)
6	W7-331020393BK	endplate (black)
7	W7-331018537	control unit (CU)
8	W7-330000841	transmission unit kit
9	W7-330000829	lock kick for push & pull
10	W7-331020253	adaptor holder
11	W7-331704236	extension power cable
12	W7-331020396DB	cover (dark bronze)
	W7-331020396NA	cover (silver)

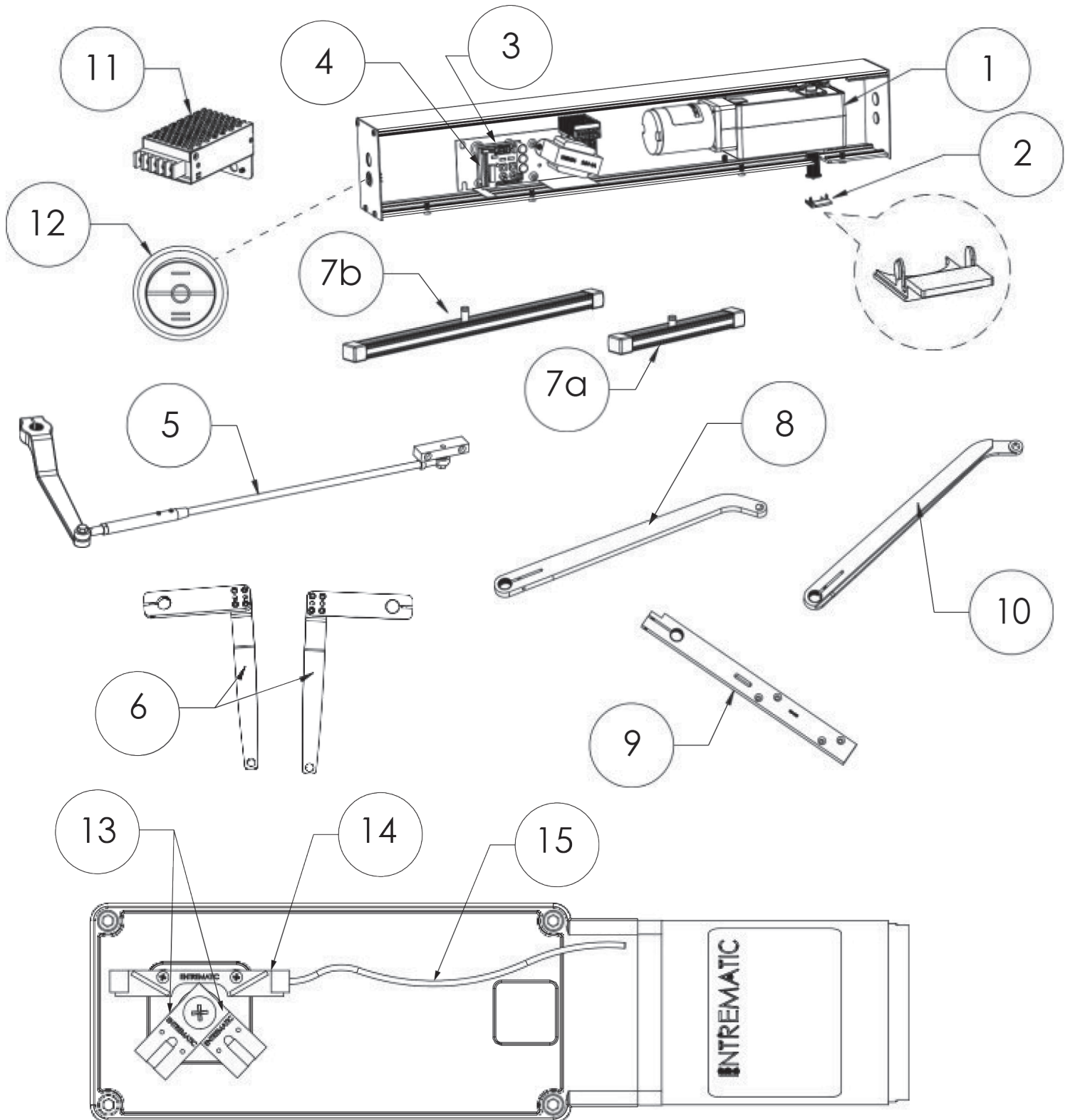
Item	Part #	Description
13	W7-331018859	power cord
14	W7-331703711	power adaptor
15	W7-331020293	power box adaptor kit (internal components only, box not included)
16	W7-330000830BK	pull arm service kit (black)
	W7-330000830PD	pull arm service kit (grey)
17	W7-331020226BK	pull arm kit (black)
	W7-331020226PD	pull arm kit (grey)
18	W7-331020857BK	push arm kit (black)
	W7-331020857PD	push arm kit (grey)
19	W7-330000831BK	drive shaft kits for PUSH arm (black)
20	W7-330000832BK	drive shaft kits for PULL arm (black)

Replacement Parts - HA8-LP



Item	Category	Part #	Description	Item	Category	Part #	Description
1	Operators	WL-PA03	LP Operator	6a	Arm	W5-550	Pull track assembly-clear
2	Controls	W7-130-1	Digital Control Board	6b	Arms	W5-555	Pull track assembly-bronze
3	Controls	W5-422	Fuse 3amp digital	6b	Arms	W5-551	Pull track assembly long-clear (univ arm)
4	Arms	W7-200	complete push arm-clear			W5-556	Pull track assembly long-bronze (univ arm)
5	Arms	W5-506C	Z Arm-RH-Clear	7	Arms	W5-512C	Universal Arm-clear
		W5-505C	Z Arm-LH-Clear			W5-512B	Universal Arm-bronze
		W5-506B	Z Arm-RH-Bronze	9	Misc	WL-Rocker switch	On-Off-Hold Open 3-position switch
		W5-505B	Z Arm-LH-Bronze	10	Misc	WL-PWRKIT	RS-25-24 Power Supply Kit
		W5-508C	Extended Z Arm-RH-Clear				
		W5-507C	Extended Z Arm-LH-Clear				
		W5-508B	Extended Z Arm-RH-Black				
		W5-507B	Extended Z Arm-LH-Black				

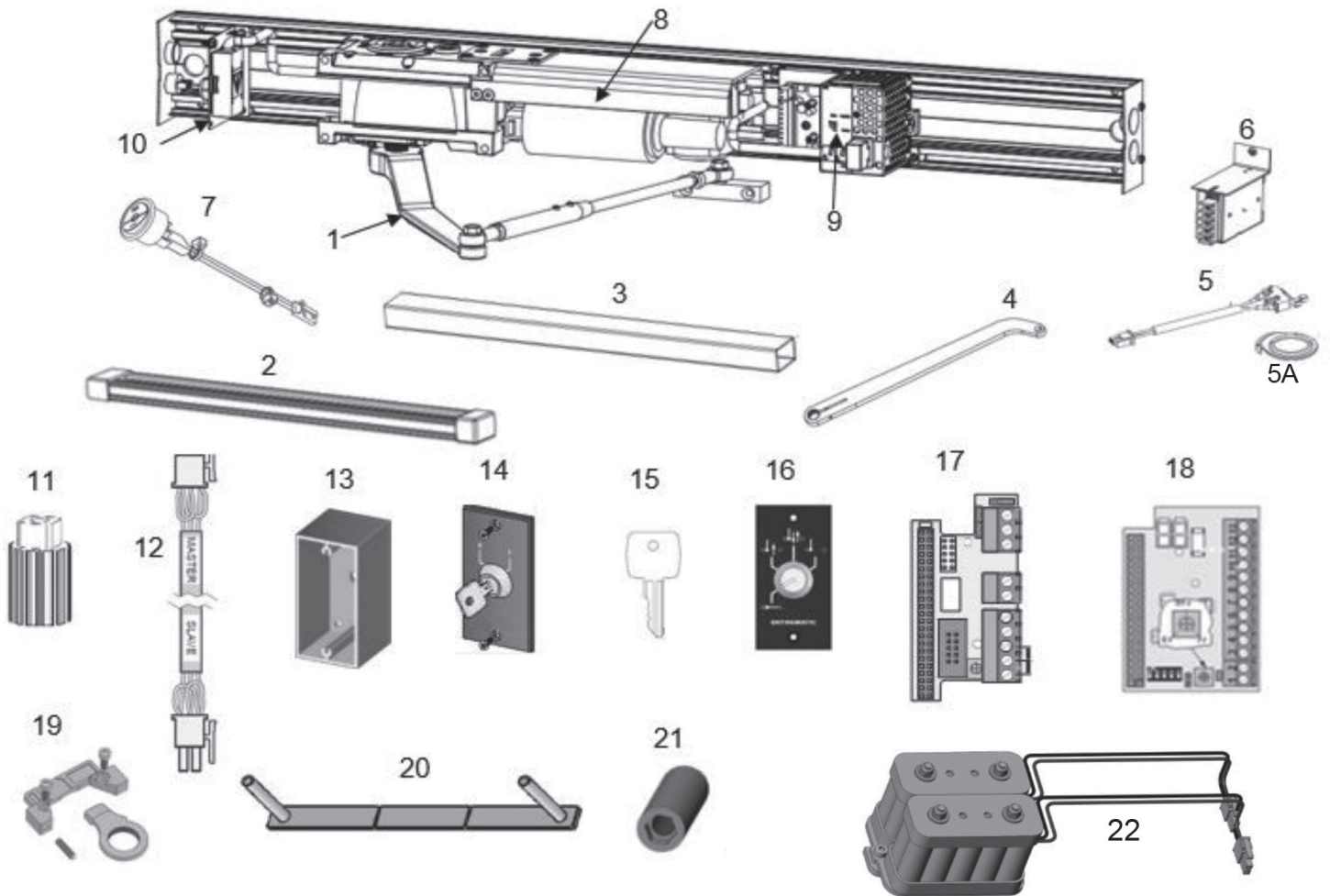
Replacement Parts - HA8-SP



Replacement Parts - HA8-SP

Item	Category	Part #	Description	Item	Category	Part #	Description
1	Operators	W7-105L	LH 1/8 hp operator	7a	Pull Arm Track - short (for z arm)	W5-550	Pull track assembly - clear
		W7-105R	RH 1/8 hp operator			W5-555	Pull track assembly - bronze
		W7-106L	LH 1/8 hp, push & go operator	7b	Pull Arm Track - long (for Universal/Center Spindle)	W5-551	Pull track assembly long-clear (for Univ/Center Spindle)
		W7-106R	RH 1/8 hp, push & go operator			W5-556	Pull track assembly long-bronze (for Univ/Center Spindle)
2	Header Cap	W5-557	Header Plastic Cap	8	Universal Arm	W5-512C	Universal Arm-clear
3	Control Board	W7-130-1	HA Digital Control Board			W5-512B	Universal Arm-bronze
4	Fuses	W5-422	3amp fuse (HA8)	11	AUX Power Supply Kit (optional)	WL-PWRKIT	RS-25-24 Power supply kit
		W5-430	4amp fush (FA8)				
5	Push Arm	W7-200	complete push arm-clear	12	Rocker Switch	WL-ROCKER-SWITCH	On/off/hold open 3 position switch
		W7-205	complete push arm-bronze				
		W5-502C	cast portion only- clear	13	Magnet Sets	W5-416	magnet set, detects back check and latch check phases
		W5-502B	cast portion only-bronze				
6	Z Arm (Pull)	W5-506C	Z Arm-RH-Clear	14	Reed Switch	W5-415	reed switch & harness; communicates to control board the position of door
		W5-505C	Z Arm-LH-Clear				
		W5-506B	Z Arm-RH-Bronze	15	Harness Cable	W5-415-2	Communicates to control board the position of door
		W5-505B	Z Arm-LH-Bronze				
		W5-508C	Ext Z Arm-RH-Clear				
		W5-508B	Ext Z Arm-RH-Black				
		W5-507C	Ext Z Arm-LH-Clear				
		W5-507B	Ext Z Arm-LH-Black				
5	Arms	W5-506C	Z Arm-RH-Clear				
		W5-505C	Z Arm-LH-Clear				
		W5-506B	Z Arm-RH-Bronze				
		W5-505B	Z Arm-LH-Bronze				
		W5-508C	Extended Z Arm-RH-Clear				
		W5-507C	Extended Z Arm-LH-Clear				
		W5-508B	Extended Z Arm-RH-Black				
		W5-507B	Extended Z Arm-LH-Black				

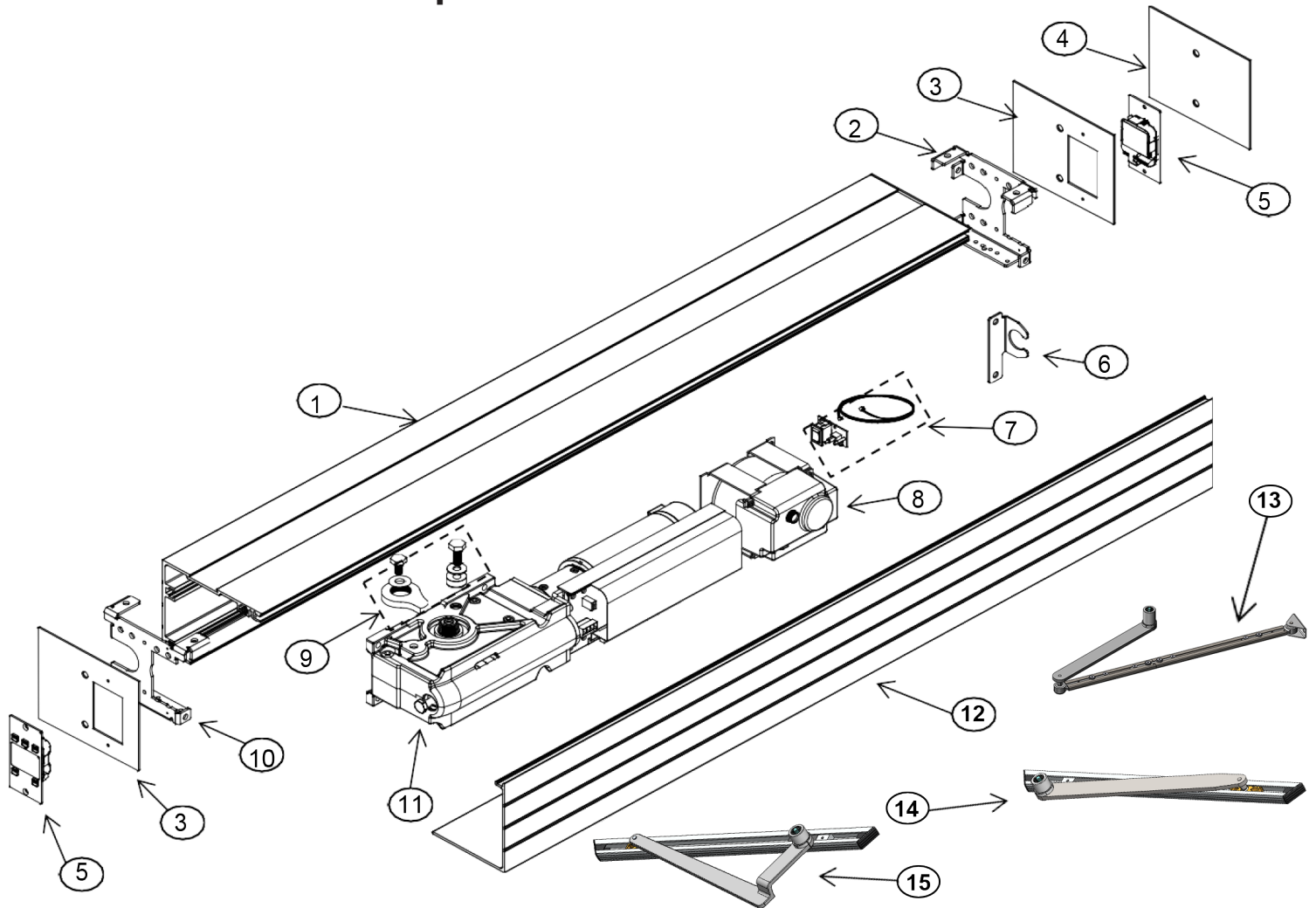
Replacement Parts - HA9



Replacement Parts - HA9

Item	Category	Part #	Description	Item	Category	Part #	Description
1	Push Arm	W7-200	complete push arm-clear (17.5" rod)	7	Rocker Switch	W8-804	on/off/hold open 3-position switch
		W7-205	complete push arm-bronze (17.5" rod)	8	Motor/Gearbox	W8-801	motor/gearbox kit
		W5-502C	cast portion- clear	9	Controls	W8-802	HA9 Controller
		W5-502B	cast portion- bronze	10	Conduit	W8-803	Conduit bracket kit
		W5-500C	22" extended rod- clear	11	Shaft Adaptor	W8-805	Shaft adaptor
		W5-500B	22" extended rod-bronze	12	Sync Cable	W8-850	sync cable for pair units
2	Pull Arm Track-Long	W5-551	pull track assembly long-clear	13	Program Selector	W8-856	surface mount box
		W5-556	pull track assembly long-bronze	14		W8-857	2 pos., psk-2
3	Reveal Spacer Extrusion (1-9/16" x 2-3/8")	W8-863-BLK	Spacer Assy - black	15		W8-858	spare key psk/ps-4c
		W8-863-SL	Spacer Assy- silver	16		W8-859	4 pos, w/ key PS-4C
4	Pull Arm	W5-512C	pull arm-clear	17	Extension Units	W8-860	EXU-SA
		W5-512B	pull arm-bronze	18		W8-861	EXU-SI
5	Micro Switch Kit	W8-852	lock kick switch & cam (includes 5A)	19	Stop Arm Kit	W8-851	Stop Arm Kit
5A	Lock Kick	W8-864	lock kick cam	20	Lock Spacer Kit	W8-853	Lock Spacer Kit
6	Power Supply Kit	WL-PWRKIT	RS-25-24 power supply kit	21	Allen Key Head Nut Kit	W8-854	Allen Key Head Nut Kit
				22	Battery backup	W8-855	Optional battery backup

Replacement Parts - SS8200



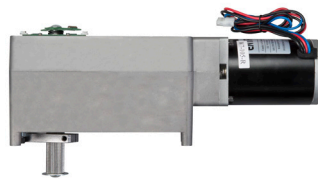
Item	Part #	Description	Item	Part #	Description
1	5-85-4003-CL	Header, Clear	10	202-005121578	Bracket, Header to Jamb, BDE-D, SS8200, LH
	5-85-4003-DB	Header, Dark Bronze		11	9-80-0101
2	202-005121579	Bracket, Header to Jamb, BDE-D, SS8200, RH	12		5-85-4004-CL
3	202-005121570	End Cap, Header, 8000, BDE-D Cutout, SS8200		5-85-4004-DB	Cover, Dark Bronze
4	4-85-1011	End Cap, Header (blank)	13	202-005816400	Standard Arm Assembly, Clear
5	9-99-1321	Control Module, Display		202-005816402	Standard Arm Assembly, Dk Bronze
6	4-51-1004	Bracket, Conduit Anchor	14	102-127816028	Track Arm Assembly, Clear
7	9-80-0106	Kit, Rocker Switch Assembly w/ Cable		102-127816110	Track Arm Assembly, Dk Bronze
8	9-80-0102	Power Supply	15	102-127816078	Offset Arm Assembly, Clear (LH)
9	9-80-0103	Kit, Hard Stop		102-127816111	Offset Arm Assembly, Dk Bronze (LH)
				102-127816079	Offset Arm Assembly, Clear (RH)
				102-127816112	Offset Arm Assembly, Dk Bronze (RH)

Replacement – Spare Parts



Controls

Part No.	Description	List Price
W7-331018537	HA7 Control Unit	\$1,001.00
W8-802	HA9 Controller	\$1,419.00
W7-130-1	Digital Control Board for SP & LP with Universal Mounting Bracket	\$714.00
9-80-0101	SS8200 Drive Module with Control	\$3974.00
9-99-1321	SS8200 Control Module Display	\$705.00
W5-422	3 Amp Fuses – Std Controls, Long, Digital (6 pack)	\$41.00



Operators

Part No.	Description	List Price
W7-330000841	HA7 Transmission Unit	\$948.00
W8-801	HA9 Motor/Gearbox	\$2,906.00
WL-PA03	HA8-LP Operator – Non-Handed with Standard Spring	\$2,028.00
W7-105L	HA8-SP Operator with standard spring (left hand) (fits SP models after 12/1/17)	\$2,291.00
W7-105R	HA8-SP Operator with standard spring (right hand) (fits SP models after 12/1/17)	\$2,291.00



Arms

Part No.	Description	List Price
W7-200	Push Arm Complete -Clear (up to 14" reveal)	\$491.00
W7-205	Push Arm Complete - Bronze (up to 14" reveal)	\$491.00
W5-502B	Push Arm, Main Arm Only- Bronze	\$240.00
W5-502C	Push Arm, Main Arm Only - Clear	\$240.00
W5-505B	Z/Pull Arm Left - Bronze (for complete assembly order track below) (4" reveal)	\$429.00
W5-506B	Z/Pull Arm Right - Bronze (for complete assembly order track below) (4" reveal)	\$429.00

W5-555	Pull Arm Track Assembly (11-3/8" w/ endcaps) for 90 Degree Arm - Bronze	\$116.00
W5-505C	Z/Pull Arm Left - Clear (for complete assembly order track below) (4" reveal)	\$429.00
W5-506C	Z/Pull Arm Right-Clear (for complete assembly order track below) (4" reveal)	\$429.00
W5-550	Pull Arm Track Assembly (11-3/8" w/endcaps) for 90 Degree Arm - Clear	\$116.00
W5-512B	Universal Arm - Bronze (for complete assy order track below) (4" reveal)	\$387.00
W5-512C	Universal Arm - Clear (for complete assembly order track below) (4" reveal)	\$387.00
W5-556	Pull Arm Track Assembly (22") for Universal Arm - Bronze	\$176.00
W5-551	Pull Arm Track Assembly (22") for Universal Arm - Clear	\$176.00
W5-500C	Extended Push Arm Rod (up to 18" reveal) (additional) - Clear	\$105.00
W5-500B	Extended Push Arm Rod (up to 18" reveal) (additional) - Bronze	\$105.00
W5-507C	Extended Pull Arm for Left Hand (up to 8" reveal) - Clear	\$326.00
W5-507B	Extended Pull Arm for Left Hand (up to 8" reveal) - Black	\$326.00
W5-508C	Extended Pull Arm for Right Hand (up to 8" reveal) - Clear	\$326.00
W5-508B	Extended Pull Arm for Right Hand (up to 8" reveal) - Black	\$326.00
W7-330000830BK	HA7 Pull Arm Service Kit - Black	\$34.00
W7-330000830PD	HA7 Pull Arm Service Kit - Grey	\$34.00
W7-331020226BK	HA7 Pull Arm Kit - Black	\$124.00
W7-331020226PD	HA7 Pull Arm Kit - Grey	\$124.00
W7-331020857BK	HA7 Push Arm Kit - Black	\$155.00
W7-331020857PD	HA7 Push Arm Kit - Grey	\$155.00
W7-330000831BK	HA7 Drive Shaft kits for PUSH arm (black)	\$72.00
W7-330000832BK	HA7 drive shaft kits for PULL arm (black)	\$72.00
202-005816400	SS8200 Standard Arm Assembly - Clear	\$667.00
202-005816402	SS8200 Standard Arm Assembly - Dark Bronze	\$797.00
102-127816028	SS8200 Track Arm Assembly - Clear	\$1,028.00
102-127816110	SS8200 Track Arm Assembly - Dark Bronze	\$1,032.00
102-127816078	SS8200 Offset Arm Assembly - Clear (LH)	\$1,028.00
102-127816111	SS8200 Offset Arm Assembly - Dark Bronze (LH)	\$1,032.00
102-127816079	SS8200 Offset Arm Assembly - Clear (RH)	\$1,028.00
102-127816112	SS8200 Offset Arm Assembly - Dark Bronze (RH)	\$1,032.00


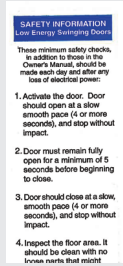


Miscellaneous

Part No.	Description	List Price
WL-P0108	HA8-LP Extended Spindle Shaft (1-1/2" Extension)	\$256.00
WL-P0109	HA8-LP Extended Spindle Shaft (3" Extension)	\$256.00
W8-803	Conduit Bracket Assembly for HA9	\$143.00
W8-850	Sync Cable for HA9 pair operators	\$145.00
W8-851	Door Stop with Stop Block Kit for HA9	\$143.00
W8-852	Micro Switch Kit with cam for HA9	\$75.00
W8-864	Lock Kick Cam	\$15.00
W8-853	Lock Spacer Kit	\$17.00
W8-854	Allen Key Head Nut Kit	\$9.00
W8-855	Battery Backup for HA9	\$622.00
W8-805	Shaft Adaptor for HA9	\$95.00
W8-860	EXU-SA (safety auxiliary board for HA9)	\$439.00
W8-861	EXU-SI (security auxiliary board for HA9)	\$584.00
W8-863-BLK	Reveal Spacer Assembly - black (1 9/16"x 2 3/8")	\$50.00
W8-863-SL	Reveal Spacer Assembly - silver (1 9/16"x 2 3/8")	\$50.00
W5-415	Reed Switch for SP	\$116.00
WL-P0068	Reed Switch for LP	\$116.00
W5-415-1	Reed Switch Harness (both HA Standard and Low Profile)	\$32.00
W5-415-2	Reed Switch Harness Extension (both HA standard and low profile)	\$44.00
W5-416	Reed Switch Magnets for SP (Back Check)	\$32.00
W5-409	On/Off/Hold Open Switch (for SP and FA units prior to 11/30/17)	\$95.00
WL-ROCKER	3-Way Rocker Switch (On/Off/Hold Open for SP & LP units)	\$26.00
W8-804	3-Way Rocker Switch (On/Off/Hold Open, 3-position switch for HA9)	\$58.00
W8-856	Surface Mount Box Program Selector	\$45.00
W8-857	Program Selector, 2 position, PSK-2	\$154.00
W8-858	Spare Key PSK/PS-4C	\$19.00
W8-859	Program Selector, 4 position w/ key PS-4C	\$154.00
WL-PWRKIT	24 VDC-1.1 amp Aux Power Supply Kit with mounting bracket	\$559.00
W5-528C	Aluminum reinforcement bracket for aluminum storefronts where no backing exists (clear)	\$151.00
W5-528B	Aluminum reinforcement bracket for aluminum storefronts where no backing exists (black)	\$151.00
W7-331020157	HA7 Ground Wire	\$21.00

Part No.	Description	List Price
W7-330000828	HA7 Back Plate with Power Cable	\$58.00
W7-331020445BK	HA7 Spindle Cover Kit (black)	\$11.00
W7-331020445PD	HA7 Spindle Cover Kit (grey)	\$11.00
W7-331019785	HA7 Bracket Power Plug	\$8.00
W7-331020704BK	HA7 Endplate with Control Switch (black)	\$45.00
W7-331020393BK	HA7 Endplate (black)	\$21.00
W7-330000829	HA7 Lock Kick for Push & Pull	\$45.00
W7-331020253	HA7 Adaptor Holder	\$54.00
W7-331704236	HA7 Extension Power Cable	\$43.00
W7-331020396DB	HA7 Cover (dark bronze)	\$52.00
W7-331020396NA	HA7 Cover (silver)	\$52.00
W7-331018859	HA7 Power Cord	\$26.00
W7-331703711	HA7 Power Adaptor	\$132.00
W7-331020293	HA7 Power Box Adaptor Kit (internal components only, box not included)	\$235.00
5-85-4003-CL	SS8200 Header - Clear	\$68.00
5-85-4003-DB	SS8200 Header - Dark Bronze	\$72.00
202-005121579	SS8200 Bracket, Header to Jamb, BDE-D, RH	\$34.00
202-005121578	SS8200 Bracket, Header to Jamb BDE-D, LH	\$34.00
202-005121570	SS8200 End Cap, Header with BDE-D Cut-Out	\$40.00
4-85-1011	SS8200 End Cap, Header (blank)	\$30.00
4-51-1004	SS8200 Bracket, Conduit Anchor	\$13.00
9-80-0106	SS8200 Rocker Switch Assembly w/ Cable	\$242.00
9-80-0102	SS8200 Power Supply	\$871.00
9-80-0103	SS8200 Hard Stop Kit	\$255.00
5-85-4004-CL	SS8200 Cover - Clear	\$35.00
5-85-4004-DB	SS8200 Cover - Dark Bronze	\$36.00

Decals

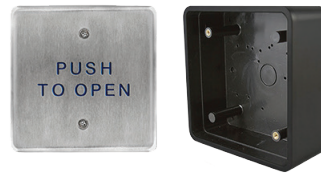
Part No.	Description	Image	List Price
W5-628	Caution Automatic Door/Activate Switch to Operate combo decal		\$26.00
W5-626	Record logo "Dome" label		\$20.00
W5-625	Low Energy AAADM Decal		\$20.00

Notes:

- » Replacement Parts Warranty, Limited 1 Year from Ship Date. See Warranty Statement.
- » \$50 Minimum order required.
- » 45% Restocking fee.
- » \$15 drop ship fee.
- » Products listed in bold qualify for the Quick Ship Program. See program details on page 6.

Accessories & Activation

- » Record offers the following activation and accessories to compliment our product lines.
- » Sensors can be found in our Parts Price list, reach out to your representative for assistance.



ACTIVATION - Push Plates

Part #	Description	List Price
W6-103	1.5" x 4.75" BEA Jamb Plate "Push To Open" Text Only	\$121.00
202-005118914	1.5" x 4.75" BEA Jamb Plate "Push To Open" Text & Handicap Logo	\$121.00
9-61-0004	1.5" x 4.75" BEA Jamb Plate Baby Carriage & Handicap Logo	\$121.00
202-00518912	1.5" x 4.75" BEA Black Jamb Push Plate Mounting Box	\$54.00
W6-107	4.5" BEA SQ Blue Push Plate "Push To Open" Text Only	\$177.00
W6-108	4.5" BEA SQ SS Push Plate "Push To Open" Text Only	\$177.00
9-61-0045	4.5" BEA SQ SS Push Plate "Push To Open" Text & Handicap Logo	\$177.00
202-005118910	4.5" BEA Black SQ Push Plate Surface Mounting Box	\$75.00
202-005124243	4.5"x4.5" BEA Black SQ Push Plate Flush Mounting Box	\$92.00
9-61-0068	4.75" BEA SQ SS Push Plate "Push To Open" Text Only	\$176.00
W6-110	4.75" BEA SQ SS Push Plate Handicap Logo Only	\$177.00
9-61-0069	4.75" BEA SQ SS Push Plate "Push To Open" Text & Handicap Logo	\$176.00
9-61-0001	4.75" BEA SQ SS Vestibule Push Plate "Push To Open" text & Handicap Logo	\$317.00
W6-111	4.75" x 4.75" BEA Black SQ Push Plate Mounting Box	\$75.00
9-61-0075	4.75" x 4.75" BEA Black Weather Ring	\$24.00
W6-114	6" BEA Round SS Push Plate "Push To Open" Text & Handicap Logo	\$202.00
W6-115	6" BEA Round SS Push Plate Handicap Logo Only	\$218.00
W6-115-2	6" BEA Black Round Weather Ring	\$24.00
W6-116	6" BEA Black Round Push Plate Mounting Box	\$92.00
9-61-0062	36" BEA High-Low SS Push Plate w/ Integrated 900Mhz Wireless "Push To Open" Text & Handicap Logo	\$1,329.00
W6-131	36" BEA High-Low SS Push Plate Hard-Wired "Push To Open" Text & Handicap Logo	\$1,329.00
W6-159	1.5" x 4.75" BEA Jamb Push Plate Package - 900Mhz "Push To Open" Text Only	\$568.00
202-003124834	4.75" BEA SQ SS Vestibule Push Plate Pkg - 900 Mhz Wireless "Push To Open" Text & Handicap Logo	\$1,408.00

W6-133	4.5" BEA SQ SS Push Plate Package - 900 Mhz Wireless "Push To Open" Text Only	\$796.00
W6-134	4.5" BEA SQ Blue Push Plate Package - 900 Mhz Wireless "Push To Open" Text Only	\$796.00
202-003124835	4.5" BEA SQ SS Push Plate Package - 900 Mhz Wireless "Push To Open" Text & Handicap Logo	\$796.00
W6-138	4.75" BEA SQ SS CA Push Plate Package - 900 Mhz Wireless "Push To Open" Text & Logo	\$796.00



ACTIVATION - Touchless

Part #	Description	List Price
W5-670	Wave To Open Single Switch - Single and Double Gang Faceplates Included	\$245.00
9-61-0066	6" BEA Round Black MS31 "Wave To Open" Text & Hand Logo	\$673.00
202-005118907	BEA Black Single & Double Gang MS31 "Wave To Open" Text & Hand Logo	\$676.00
202-005118908	BEA Gray Single & Double Gang MS31 "Wave To Open" Text & Hand Logo	\$676.00
202-003122353	BEA SS Jamb Mounted MS41 "Wave To Open" Text & hand Logo	\$682.00
202-005125437	BEA SS Single Gang MS41 "Wave To Open" Text & Hand Logo	\$693.00
202-005125438	BEA SS Double Gang MS41 "Wave To Open" Text & Hand Logo	\$726.00
202-003128082	BEA SS Single Gang Battery-Powered MS51 "Wave To Open" Text & Hand Logo	\$1,149.00



Accessories

Part #	Description	List Price
202-005125285	BEA Single Occupancy Restroom Kit	\$671.00
W6-148	BEA Emergency Add-On Kit	\$1,140.00
W6-160	BEA Trash Room Accessory Kit - Left Hand	\$1,320.00
W6-165	BEA Trash Room Accessory Kit - Right Hand	\$1,320.00
202-005122379	BEA Programmable 3-Relay Logic Module	\$287.00
202-005118899	BEA Bollard Mounting Post, Silver	\$771.00
202-005118900	BEA Bollard Mounting Post, Black	\$771.00
202-005118901	BEA Bollard Mounting Post, Dark Bronze	\$771.00
9-61-0072	BEA 900 Mhz Push Button Transmitter	\$157.00
9-61-0070	BEA 900 Mhz Push Button Receiver	\$213.00
P-10TD900HH1	BEA 900 Mhz Hand Held Fob	\$157.00



Record-USA

4324 Phil Hargett Ct.

Monroe, NC 28110

PO Box 3099

Monroe, NC 28111-3099

P +1 704 289 9212

F +1 704 289 2024

info@recorddoors.com

www.recorddoors.com

Part of ASSA ABLOY