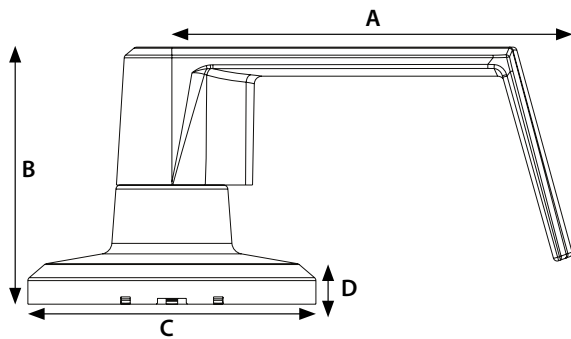


EXIT DEVICES

QRT 300 Series Grade 1 Standard-Duty Exit Rose Trims

Round Rose Trims Sierra (E)

Available in: 626, 689, 690



Round Rose Trims Summit (M)

Available in: 626, 689, 690



DIMENSIONS				
	A	B	C	D
Sierra	4.98"	3.15"	3.12"	.52"
	126.49mm	80.01mm	79.25mm	13.21mm
Summit	4.95"	3.45"	3.12"	.52"
	125.73mm	87.63mm	79.25mm	13.21mm

Model/Series	Functions	Description	Style	Case Qty
QRT320	Dummy Lever	Used for door pull when device is dogged or as matching inactive trim. No mechanical operation.	E/M	12
QRT330	Passage Lever	Levers always unlocked and always free for immediate ingress.	E/M	12
QRT360/361	Keyed Lever (Classroom)	Key locks & unlocks lever (operates same as classroom function). Clutch feature disengages outside lever from latch when locked to prevent vandalism.	E/M	12
QRT370/371	Keyed Lever (Storeroom)	Lever always locked, key retracts latch for entrance (operates same as storeroom function). Clutch feature disengages outside lever from latch when locked to prevent vandalism.	E/M	12