

Performance Features

- Tested to meet Grade 2 specification of 150,000 cycles.
- Full 1" (25.4mm) throwbolt with saw-resistant hardened steel roller pin.
- Free-spinning cylinder collar prevents against wrench attacks.
- Anti-drill design – Two (2) ball bearings inserted to prevent drill attacks.
- ADA thumbturn.
- Compartmentalized packaging allows for quick and easy installation.
- Available with SmartKey Technology.



Single Cylinder



Double Cylinder

Certifications



- ANSI/BHMA A156.12 – 1999 Grade 2
- ANSI A117.1 Accessibility Code (ADA Compliant)
- UL/cUL Listed (3 hours) for "A" label single-door applications (4' x 8') (1.219m x 2.438m)
- UL10C/UBC 7-2 (1997) Positive Pressure Rated
- UL10B Pressure Rated
- Hurricane Compliant – Miami-DADE N.O.A. See page 72 for more details.



QDB285 Indicator



QDB288 Key Control

Product Specifications

- Door range – 1 3/8" (35mm) to 2" (51 mm).
Service part number 8Q00082 spacer rings required for 1 3/8" doors.
- Backset – 2 3/4" (70mm) square standard. 2 3/8" (60mm) available.
- Exposed trim – Stainless steel with iron forged cylinder guard.
- Strike – Standard deadbolt strike 1 1/8" x 2 3/4" (32mm x 70mm).
Other strike options also available.
- Latch bolt – Full 1" (25.4mm) throw with hardened steel roller.
- Faceplate – 1 1/8" x 2 1/4" (29mm x 57mm) standard.
1" x 2 1/4" (25.4mm x 57mm) faceplate available.

Keying

- 6-pin non-IC brass cylinders. 6 or 7 pin SFIC option available. Many keying options available from our factory to include, but not limited to, master keying, grand master keying and construction keying. Small format interchangeable core cylinder also available.
- 2 keys per lockset.
- Offered with the following keyway options: SMT-SmartKey, KW-Kwikset, WE-Weiser, SC-Schlage, GA-Yale, LA-Sargent, BF-BEST "F" SFIC, & LC-Less Cylinder.

Warranty

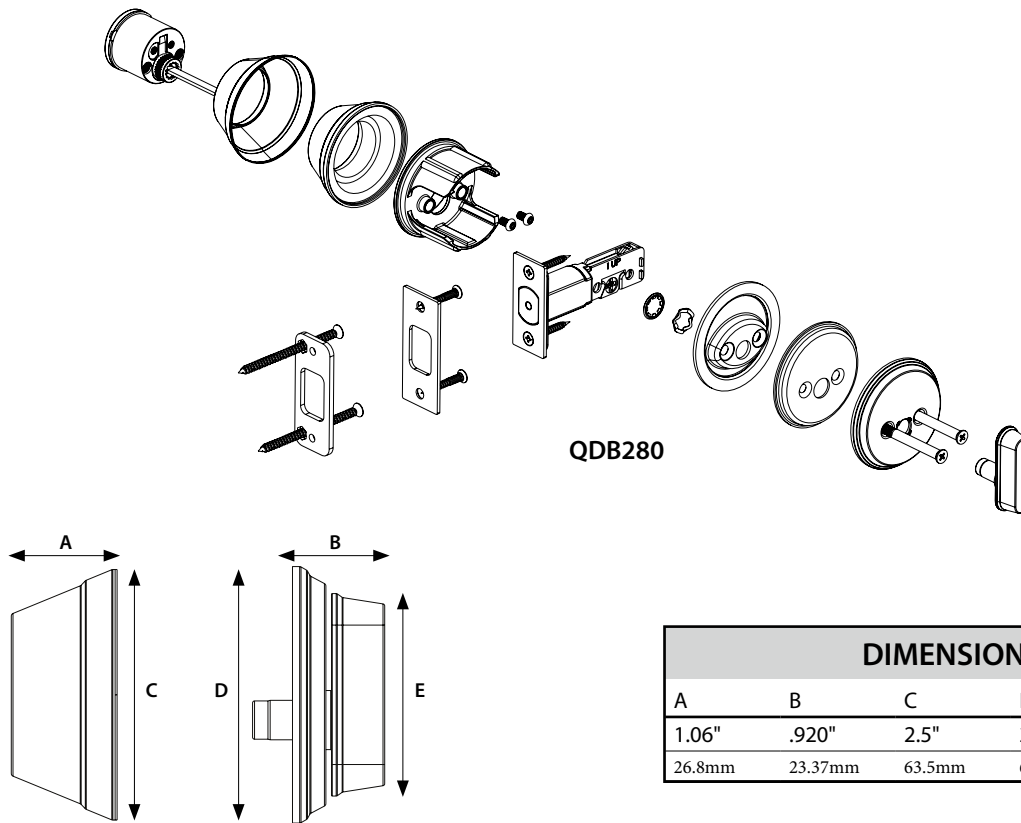
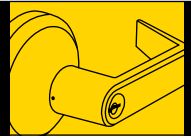
- Lifetime Mechanical and 3-year finish*
*(613/US10B carries no finish warranty)

Functions

| ANSI | Series | Description |
|-------|--------|----------------------|
| E0152 | QDB280 | Single Cylinder |
| E0152 | QDB281 | Single Cylinder SFIC |
| E0142 | QDB282 | Double Cylinder |
| E0142 | QDB283 | Double Cylinder SFIC |
| E0193 | QDB284 | Inside Turnbolt |
| — | QDB285 | Indicator |
| E0172 | QDB286 | Classroom |
| E0172 | QDB287 | Classroom SFIC |
| E0152 | QDB288 | Key Control |

Finishes

| BHMA | Description |
|------|-------------------|
| 605 | Bright Brass |
| 613 | Oil Rubbed Bronze |
| 619 | Satin Nickel |
| 625 | Bright Chrome |
| 626 | Satin Chrome |



| DIMENSIONS | | | | |
|------------|---------|--------|-------|---------|
| A | B | C | D | E |
| 1.06" | .920" | 2.5" | 2.56" | 2.02" |
| 26.8mm | 23.37mm | 63.5mm | 65mm | 51.31mm |

| Model/ Series | ANSI | | Description | Case Qty |
|---|-------|--|---|----------|
| QDB280/281 <i>Single Cylinder</i> | E0152 | | Deadbolt is operated by a key outside and a thumbturn inside. | 12 |
| QDB282/283 <i>Double Cylinder</i> | E0142 | | Deadbolt is operated by a key on both sides. | 12 |
| QDB284 <i>Inside Turnbolt</i> | E0193 | | Deadbolt is operated by a thumbturn inside. <u>There is no trim on the other side.</u> | 20 |
| QDB285 <i>Indicator</i> | — | | Deadbolt is operated by turn inside. Occupancy indicator plate on outside. Indicator visually shows red closed padlock for locked/in-use, green opened padlock for unlocked/vacant. Emergency key included. | 12 |
| QDB286/287* <i>Classroom</i> | E0172 | | Deadbolt operated by key from outside. Thumbturn retracts deadbolt for egress but cannot project it. | 12 |
| QDB288† <i>Key Control</i> | E0152 | | Deadbolt operated by either tenant or control key from outside. Thumbturn on inside projects and retracts deadbolts. | 12 |

NOTES:

*Classroom indicator deadbolts available in 626 finish at standard lead times. Consult factory for lead times on alternative finishes.

†Key control deadbolt available with SmartKey cylinders only.