

Performance Features

- Tested to meet Grade 1 specification of 250,000 cycles.
- Solid forged housing provides enhanced strength and durability.
- Full 1" (25.4mm) throwbolt with saw-resistant hardened steel roller pin.
- Anti-drill design – two (2) ball bearings inserted to prevent drill attacks.
- ADA thumbturn.
- Compartmentalized packaging allows for quick and easy installation.

Certifications



- ANSI/BHMA A156.5 Series – Grade 1
- ANSI A117.1 Accessibility Code (ADA Compliant)
- UL/cUL Listed (3 hours) for "A" label single-door applications (4' x 8') (1.219m x 2.438m)
- UL10C/UBC 7-2 (1997) Positive Pressure Rated
- UL10B Pressure Rated
- California State Reference Code (formerly Title 19 – Fire Marshal)
- Hurricane Compliant – Miami-DADE N.O.A. See page 72 for more details.



Single Cylinder



Double Cylinder

Product Specifications

- Door range – 1 3/8" (35 mm) to 2" (51 mm).
Service part number 8Q00082 spacer rings required for 1 3/8" doors.
- Backset – 2 3/4" (70mm) square standard.
2 3/8" (60mm) available.
- Exposed trim – Solid forged brass, plated to match finish designation.
- Strike – Standard deadbolt strike 1 1/8" x 2 3/4" (32mm x 70mm).
Other strike options also available.
- Door prep – 2 1/8" (54mm) diameter cross bore.
- Latch bolt – Full 1" (25.4mm) throw with hardened steel roller;
Faceplate – 1 1/8" x 2 1/4" (29mm x 57mm).

Keying

- 6-pin non-IC brass cylinders. 6 or 7 pin SFIC option available. Many keying options available from our factory to include, but not limited to, master keying, grand master keying and construction keying. Small format interchangeable core cylinder also available.
- 2 keys per lockset.
- Offered with the following keyway options: KW-Kwikset, WE-Weiser, SC-Schlage, GA-Yale, LA-Sargent, BF-BEST "F" SFIC, & LC-Less Cylinder.

Warranty

- Lifetime Mechanical and 3-year finish*

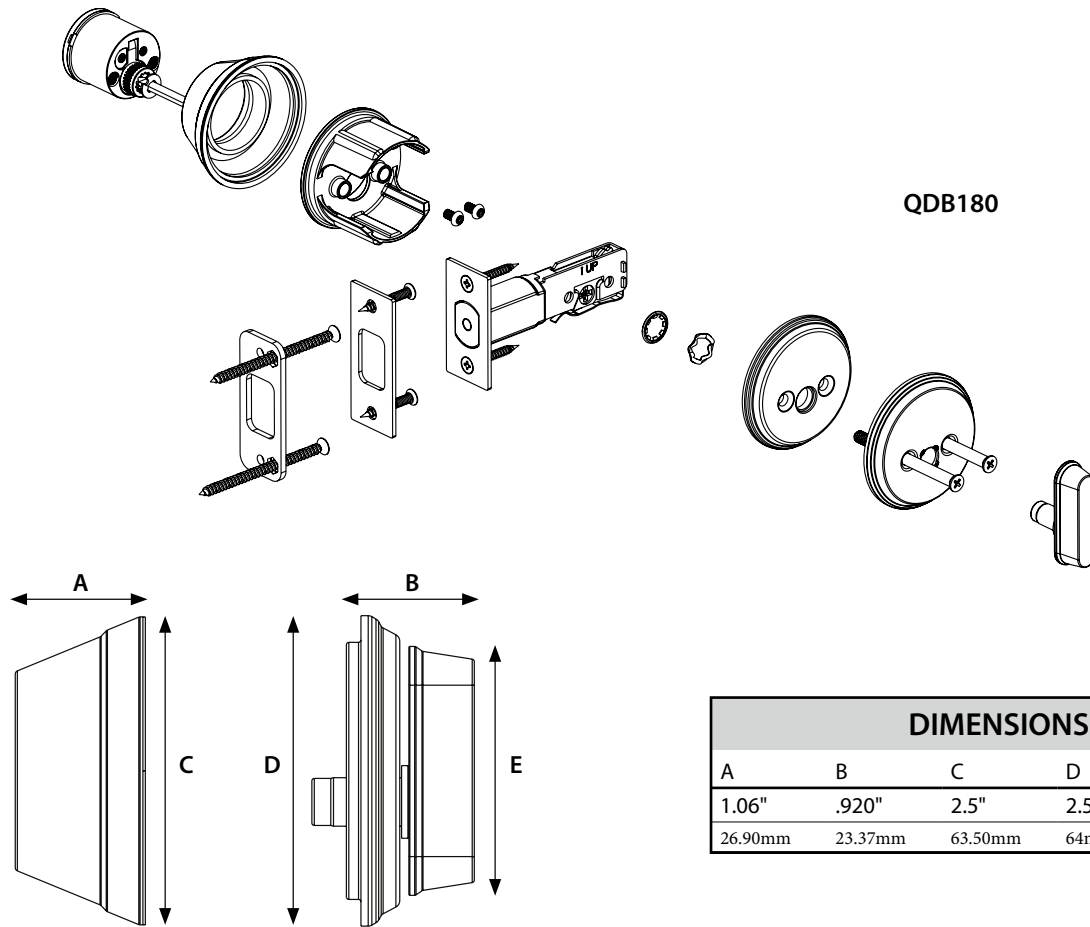
*(613/US10B carries no finish warranty)

Functions

ANSI	Series	Description
E0151	QDB180	Single Cylinder
E0151	QDB181	Single Cylinder SFIC
E0141	QDB182	Double Cylinder
E0141	QDB183	Double Cylinder SFIC
E0171	QDB186	Classroom
E0171	QDB187	Classroom SFIC

Finishes

BHMA	Description
605	Bright Brass
613	Oil Rubbed Bronze
619	Satin Nickel
625	Bright Chrome
626	Satin Chrome



DIMENSIONS				
A	B	C	D	E
1.06"	.920"	2.5"	2.52"	2.02"
26.90mm	23.37mm	63.50mm	64mm	51.31mm

Model/ Series	ANSI		Functions	Description	Case Qty
QDB180/181 <i>Single Cylinder</i>	E0151		Single Cylinder	Deadbolt is operated by a key outside and a thumbturn inside.	12
QDB182/183 <i>Double Cylinder</i>	E0141		Double Cylinder	Deadbolt is operated by a key on both sides.	12
QDB186/187 <i>Classroom</i>	E0171		Classroom	Deadbolt is operated by a key from outside. Turnpiece retracts deadbolt for egress but can not project it.	12