

# Power Transfers

# CEPT Concealed Electrical Power Transfer

*Beautifully crafted, compact,  
secure power transfer*



The heavy-duty, tamper-resistant Concealed Electrical Power Transfer (CEPT) securely transfers power and data from the hinge side of the frame to electrified hardware on the door.

The unit is discreetly concealed between the frame and door when the door is closed. Available in three multi-wire configurations and four finishes, the CEPT complements any architectural setting.

## Features

### Standard Features

- Mortises into the edges of the door and frame
- Direct retrofit for competitor products
- Tamper resistant
- All metal construction including back boxes
- 7/8" [22.25mm] knockouts on back boxes accommodate EMF-type fittings
- Tested to 1 million cycles
- Compatible with butt hinges up to 6" [152.4mm] and continuous hinges with cutout
- MagnaCare® lifetime replacement, no-fault, no questions asked warranty

### Optional Features

- **CEPT-10** includes 8–22 AWG wires plus 2–18 AWG wires for higher current devices
- **CEPT-C5E** includes CAT5E compatible with 8–24 AWG wires, 1–22 AWG wire, conductor, Molex connectors
- **EL-CEPT** is ElectroLynx® compatible with 12–22 AWG wires, ElectroLynx connectors



## Specifications

### Certifications

- ANSI/UL 10C Listed, 3 hour rated
- ULC-S318 Listed, 3 hour rated
- ANSI/SDI-BHMA A250.13 (+/- 150 psi) Windstorm Listed
- Florida Building Code Approved

### Dimensions

- **CEPT Housing:**  
9-1/16"L x 1-3/16"W x 1-7/16"D  
[230.2mm L x 30.12mm W x 36.52mm D]

### Shipping Weight

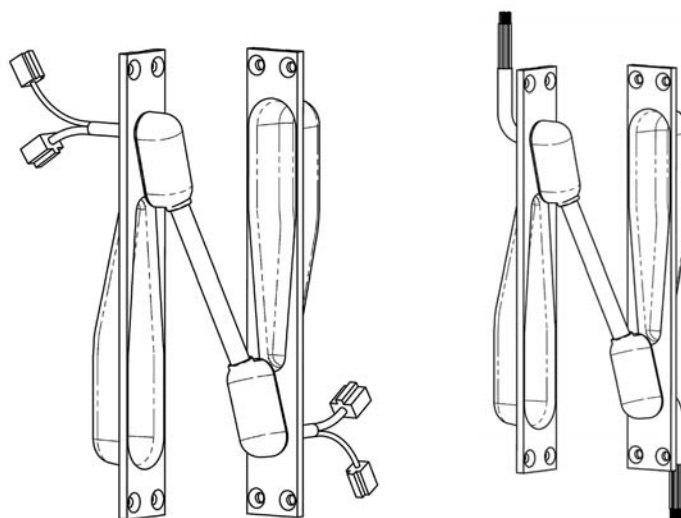
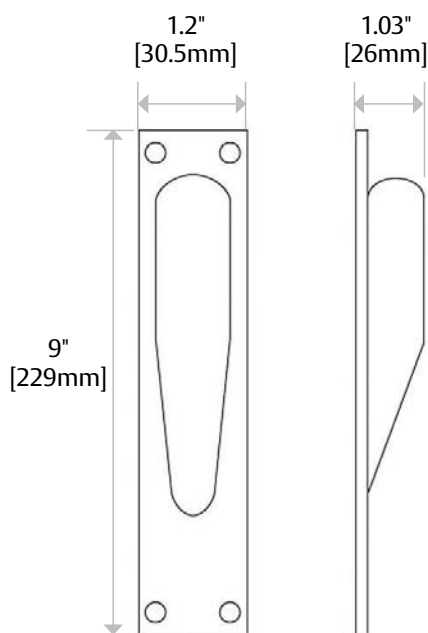
- 2.40 lbs [1.09 kg]

### Technical Note

- Not for use with center hung or balanced doors, pocket or offset pivots or swing clear hinges.
- Door swing ranges when installed with butt hinges are:

HINGE SIZE	SWING RANGE
5" [127mm] or less	up to 180°
5-1/2" [139.7mm]	up to 130°
6" [152.4mm] Butt Hinge	up to 110°

## Dimensions



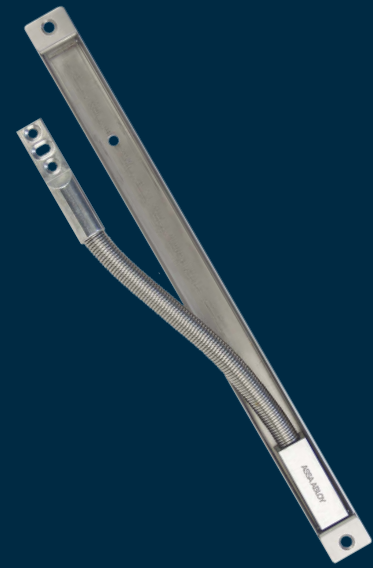
## How to Order

WIRE CONNECTORS	SHAPE	NUMBER OF WIRES	FINISH
<b>EL</b>	<b>– CEPT</b>	<b>– C5E</b>	<b>– 10B</b>
(blank) No Connectors	CEPT Concealed Power Transfers	(blank) 12 Wires (EL option only)	(blank) 630 Satin Stainless Steel
EL ElectroLynx® Connectors		10 10 Wires	04 606 Satin Brass
		C5E 9 Wires	10 612 Satin Bronze
		NW No Wires	613E Dark Oxidized Satin Bronzed
			BSP Black Suede Powder

NOTE: Not every combination is possible. Please contact factory if you need a combination of features not listed above.

# SEPT Square-Cut Electrical Power Transfer

*Square tabs, medium length for flexible power & data transfer*



Concealed, secure conduit for power and data transfer between a frame and door.

This unit is designed with a stamped steel housing and spring steel conduit to protect power and data wires. The square mounting tabs provide easier installation for recessed installation. The SEPT can be used on swing doors with butt hinges, continuous hinges or pivots with less than 3/4" offset.



Square mounting tabs simplify recessed prep on any door

## Features

### Standard Features

- Heavy duty design
- Installs in the door and frame edges
- Flexible steel shield protects wires – 1/4" [6.3mm] inside diameter
- Works with almost any type of butt hinge or continuous hinge
- MagnaCare® lifetime replacement, no-fault, no questions asked warranty

### Optional Features

- SEPT-10 includes 8–22 AWG wires plus 2–18 AWG wires for higher current devices
- SEPT-C5E CAT5E compatible with 9-22 AWG wire stranded conductor, Molex connectors
- EL-SEPT ElectroLynx® compatible with 12-22 AWG Wires, ElectroLynx connectors



## Specifications

### Certifications

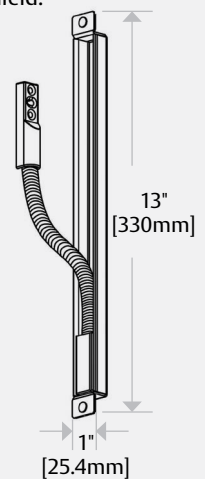
- UL 10C Listed
- CAN4-S104 Listed
- ANSI A250.13 (+/- 150 psi)
- Windstorm Listed

### Shipping Weight

- 0.85 lbs [0.39 kg]

## Dimensions

- Interior Flex Shield: 1/4" [6.3mm]



## How to Order

WIRE CONNECTORS		SHAPE	NUMBER OF WIRES
EL		– SEPT	– C5E
(blank) No Connectors	SEPT	Square Cut Power Transfer	(blank) 12 Wires
EL ElectroLynx Connectors			10 10 Wires
			C5E 9 Wires

NOTE: Not every combination is possible. Please contact factory if you need a combination of features not listed above.

US securitron.com | 800 626 7590 | customerservice.securitron@assaabloy.com

Canada assaabloydss.ca | 800 461 3007 | sales.dss.ca@assaabloy.com



# EPT Electrical Power Transfer

*Concealed, tamper resistant,  
flexible power and data transfer*



The EPT Electric Power Transfer provides concealed, secure power and data conduit between a frame and door, transmitting power to electrified locks, exit bars and more.

Its durable stamped steel housing and flexible spring steel conduit make the EPT suitable for most types of swinging doors with butt or continuous hinges or pivot hinges up to 3/4" offset. The EPT-SC accommodates swing-clear hinges and most pivot hinges.

## Features

### Standard Features

- Installs in the door and frame edges
- Flexible steel shield protects wire bundles up to 5/16" [8mm] thick
- Works with almost any type butt hinge, continuous hinges and some pivot hinges.
- Rounded mounting tabs
- MagnaCare® lifetime replacement, no-fault, no questions asked warranty

### Optional Features

- **EPT** for standard hinges and pivot hinges less than 3/4" [19mm] offset
- **EPTL** for extended length up to 5" center to center
- **EPT-SC** for swing-clear hinges or pivot hinges with larger offset; not for use with center pivot doors
- **EL Models** are ElectroLynx® compatible including 12–22 AWG wires, ElectroLynx connectors



*NOTE: Not every combination is possible.  
Please contact factory if you need a  
combination of features not listed above.*



## Specifications

### Certifications

- UL 10C Listed
- CAN4-S104 Listed
- UL 634 Listed (EL-EPT/ EL-EPTL)
- ULC/ORD-C634 (EL- EPT/EL-EPTL)
- ANSI/SDI-BHMA A250.13 (+/- 60 PSF) Windstorm Listed

### Dimensions

- EPT Housing: 12-3/4" L x 7/8" W x 11/16" D [323.9mm L x 24.8mm W x 17.5mm D]
- EPTL Housing: 21-3/8" L x 7/8" W x 11/16" D [542.9mm L x 24.8mm W x 17.5mm D]
- Interior Flex Shield: 3/8" [9.5mm]

### Shipping Weight

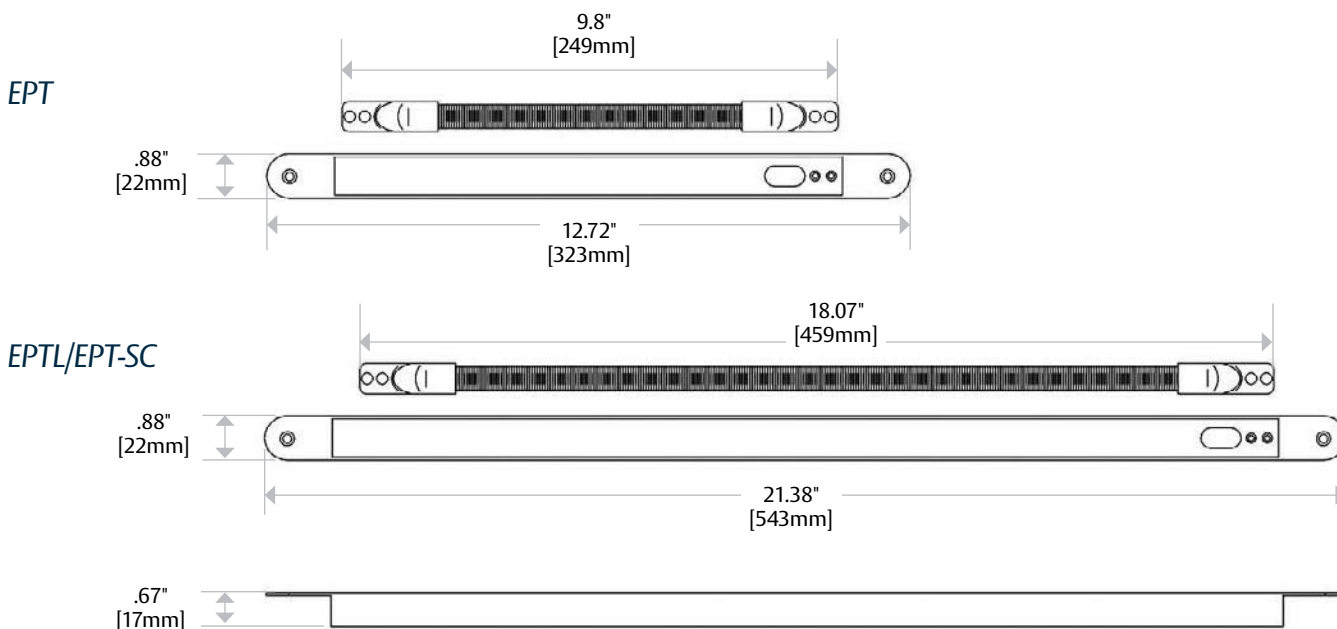
- EPT: 0.75 lbs [0.34 kg]
- EPTL: 1.20 lbs [0.54 kg]
- EPT-SC: 1.25 lbs [0.57 kg]
- EL-EPT: 0.75 lbs [0.34 kg]
- EL-EPTL: 1.20 lbs [0.54 kg]
- EL-EPT-SC: 1.25 lbs [0.57 kg]

## How to Order

WIRE CONNECTORS	SHAPE	DOOR SWING/OPTIONS
<b>EL</b>	<b>- EPT</b>	<b>- SC</b>
(blank) No Connectors	EPT 10" Cord	(blank) Standard Swing
		SC Swing Clear / Pivots
		CSE 9 Wires
EL ElectroLynx® Connectors	EPTL 18" Cord*	(blank) Standard Swing Only

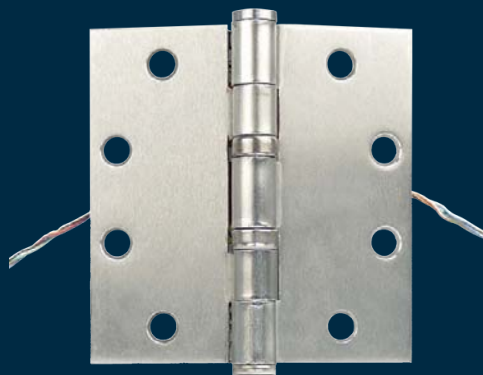
\*EPTL is only available in standard swing. No other options available.

## Dimensions



# EH Electric Hinge

*Double duty hinge for streamlined power transfer*



The EH is an efficient, discreet, concealed solution that provides secure power and data transfer from frame to door when streamlined wiring is needed.

Each hinge features concealed plug connectors that eliminate separate or exposed wiring. Ultimate concealment for tamper-resistance.

## Features

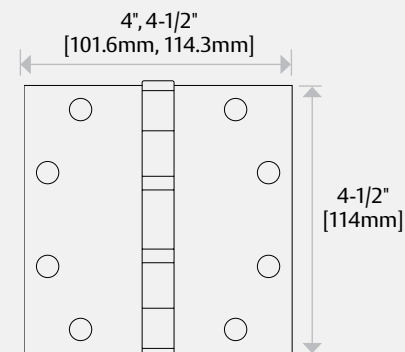
### Standard Features

- Transfer power with the highest level of concealment
- Produces the most aesthetically pleasing appearance
- Available in 4-1/2" [114.3mm] or 4" [101.6mm] hinge length
- 500 mA power capability
- 6 conductor, 28 gauge wire
- 6" [152.4mm] pigtail provided for connections
- MagnaCare® lifetime replacement, no-fault, no questions asked warranty

### Shipping Weight

- 1.10 lbs [0.50 kg]

## Dimensions



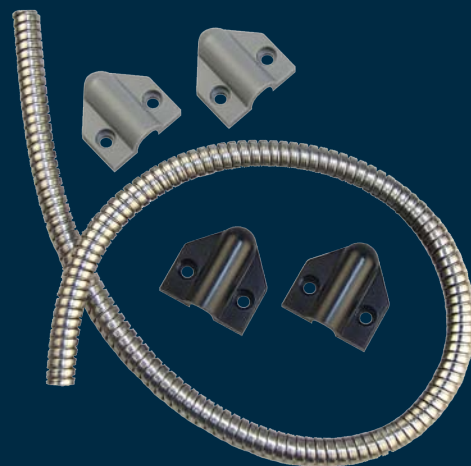
## How to Order

MODEL SERIES	SIZE
EH	- 45
EH Electric Hinge	40 4" Length
	45 4.5" Length



# TSB-C Door Cord

*Simple, affordable solution  
for durable, tamper resistant  
power and data transfer*



The TSB-C Door Cord is the simplest and most economical solution for power transfer between a door frame and the door.

Designed with an armored stainless steel cable and mounting caps for ease of installation.



## Features

### Standard Features

- Flexible armored stainless steel cable conduit with plastic end caps
- Maximum flexibility for installation site on door/frame
- Include both gray and black end caps
- Interior diameter: 1/4" [6mm]
- MagnaCare® lifetime replacement, no-fault, no questions asked warranty

### Optional Features

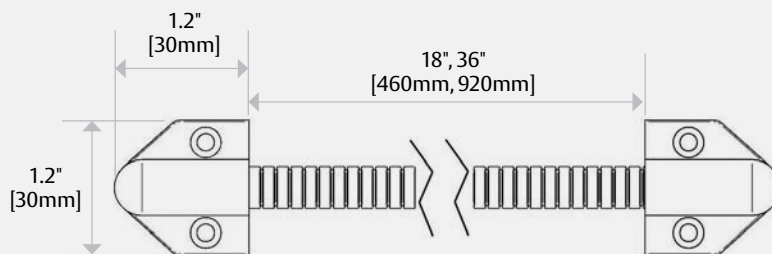
- Product Options
  - 18 18" [460mm] length
  - 36 36" [920mm] length

## Specifications

### Shipping Weight

- 0.10 lbs [0.05 kg]

## Dimensions



## How to Order

MODEL SERIES	SIZE
TSB-C	XL
TSB-C Door Cord	(blank) 18" XL 36"



**SECURITRON**  
**ASSA ABLOY**

US securitron.com | 800 626 7590 | customerservice.securitron@assaabloy.com

Canada assaabloydss.ca | 800 461 3007 | sales.dss.ca@assaabloy.com