

Model F519

Application

Pocket Door Pivot
Non-handed

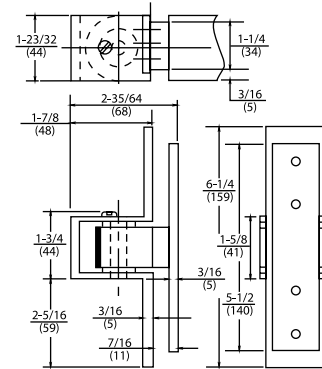
ANSI 156.4 C07611



Product Description & Features

- Full mortise, non-handed pivot for pocket door applications
- Heavy-duty steel pivot with ball bearings
- Allows doors to swing 90°
- Minimum three pocket pivots per door
- Doors 60" (1524mm) to 90" (2286mm) in height require four pocket pivots. Every additional 30" (762mm) of door height warrants another pocket pivot
- UL listed for all labeled pocket fire-door assemblies up to and including 3 hours
- Fire-rated door assemblies must have been tested with pocket pivots

Technical Information



Model E-F519

Application

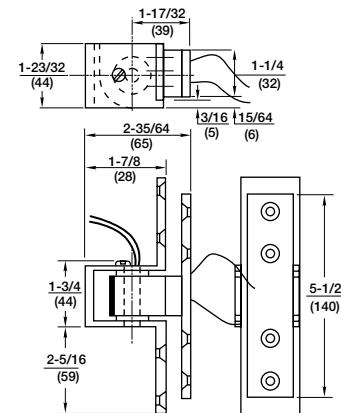
Pocket Door Pivot
Electric Pivot for Power Transfer
Non-handed



Product Description & Features

- Full mortise, non-handed pivot for pocket door applications
- Always use as middle pivot
- Specify with four, six, eight or twelve wires
- ElectroLynx® option available, suffix "QC#" (number of wires)
- 24-gauge wire is rated at 2 amps for low voltage, class II wiring applications
- Heavy-duty steel pivot with ball bearings
- Allows doors to swing 90°
- Door and jamb portions are factory assembled and cannot be separated
- Minimum three pocket pivots per door
- Doors over 90" (2286mm) in height require four pocket pivots. Every additional 30" (762mm) of door height warrants another pocket pivot
- Fire-rated door assemblies must have been tested with pocket pivots

Technical Information



Hardwiring Made Easy®



Options

Fire Rated – Prefix F

Pivots for fire rated doors (up to 3 hours) include a steel top pivot and must have additional steel intermediate pivots. For F519 pocket pivot, door assemblies must have been tested with pocket pivots.



Twenty-minute label – Suffix - 20

This UL rating is for 20-minute assemblies.

Product with this rating has an authorized label.



Handing

All offset pivots and pivot sets are handed.

Suffix RH or LH.

Extended Spindle – Suffix extra length needed

Any special coverings or severe door undercuts will affect the spindle height. In these applications, an extended spindle may be required. Most standard spindle heights accommodate door undercuts up to 1/2". Extended spindles available in 1/2" increments up to 2" longer than standard. See template.

1-1/2" Offset – Suffix 1-1/2

Offset is the distance from the face of the door to the pivot point. Extended offsets should not be used unless there is cladding on the face of the door or there is trim to clear on the frame. 1-1/2" offset arms and pivots are for doors with cladding or trim that project 3/4" from the face of the door. The greater the offset the less weight can be carried by the pivot.

Less Top Pivot – Suffix LTP

For conditions requiring special top pivots or for arch top doors, the pivot set should be ordered less top pivot – LTP. For offset installations an additional load bearing intermediate (side jamb) M190 pivot is required. All intermediate pivots for that opening should be M190's, not M19's.

Special Layouts – Suffix SPLO#

Unique installations or specially engineered products are called special layouts. These numbers must be assigned by the technical support department and they must be called out specifically by their number when ordering.

Door Thickness – Suffix 1-3/4", 2", 2-1/4", 2-1/2" or 3"

When ordering L series pivot for lead-lined doors, the thickness of the door must be given. The purpose of the L product is to have screws spaced so they straddle the lead in the center of the door. Also used when lead lining is under the skins of the door. Recommended for use on extra heavy or high traffic doors.

Pivots and Pivot Sets Options, Certifications Limited Warranty, Specifications

ElectroLynx® Connectors – Suffix QC – Number of Wires

The plug-in connectors with easy color coded wire system eliminate matching wires. Must be used with ASSA ABLOY doors, frames and hardware. Available 4, 6, 8 or 12 wires for most products.

Hardwiring Made Easy®



Certifications

All Rixson® pivots and pivot sets are in compliance with ANSI/BHMA 156.4 Standards. See individual products for sub sections.



Limited Warranty

Rixson Pivot sets are warranted for 2 years for defect. See Rixson Price Book for specific details of the limited warranty.

Specifications

All pivots and pivot sets shall be of one manufacturer. All heavy-duty pivots shall have a minimum of 2 bearings internal to the bottom pivot. One shall be a thrust bearing and the other a needle bearing. Separate bearing surfaces shall be in the top pivot. Lead-lined door units and high traffic pivots shall have additional thrust bearing. Fire rated pivot sets shall have steel top pivots. Fire rated doors require steel intermediate pivots.