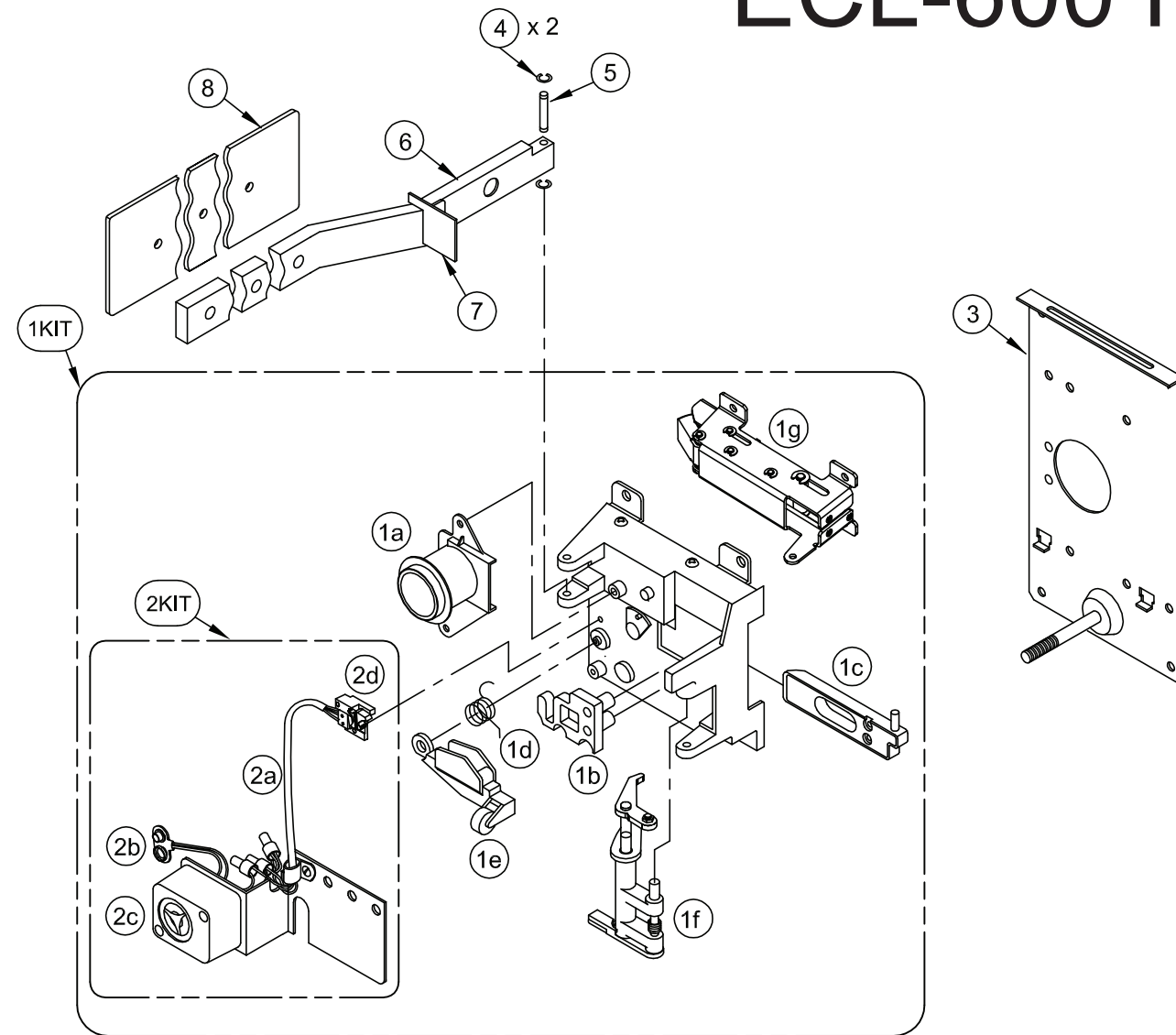


ECL-600 Parts List



PARTS BREAKDOWN			
Item	Order Part #	Description	List Price
1KIT	100059	Mechanism Assembly (includes 1a-1f & 2kit)	\$ 353.50
1a	ECL-1576-15	Cam Bridge Assembly	\$ 13.00
1b	ECL-285A	Cam Plate Bottom	\$ 3.00
1c	ECL-306-1	Bolt Assembly	\$ 24.00
1d	ECL-284	Detent Spring	\$ 1.00
1e	ECL-293A	Detent Lever & Roller Assembly	\$ 5.50
1f	100062	Actuator & Release Lever Kit	\$ 49.80
1g	100060	Relatch Assembly	\$ 120.65
2KIT	100069	Siren Switch Assembly (includes 2a-2d)	\$ 35.20
2a	ECL-204	Switch Assembly	\$ 10.90
2b	100331	9V Battery Connector	\$ 1.50
2c	PP-5966-1	Siren	\$ 7.90
2d	101796	Holder-Switch Actuator Replacement kit	\$ 11.00
3	100098	Backplate	\$ 16.80
4	PP-5090-1	Retaining Ring	\$ 0.10
5	ECL-236	Bar Pin	\$ 0.60
6	ECL-2105	Paddle Bar, Long	\$ 39.00
7	ECL-419	Bar Shield	\$ 0.30
8	ECL-2109	Paddle Bar Plate, Long	\$ 24.00
9	100065	Cover	\$ 60.60
10KIT	PP-5572	Lockset with 2 Keys (includes 10a) (select key number 11 thru 20)	\$ 8.00
10a	ECL-405	Key (select key number 11 thru 20)	\$ 2.00
10b	ECL-405-KIT	Set of all keys (includes key numbers 11 thru 20)	\$ 15.00

Your particular part or configuration may not be shown:
Contact Detex technical support at 800-729-3839 (option 2)

