

Price List

Simplex Mechanical Lock Parts

United States | PL77 | February 2025



page blank intentionally

General information

Terms and conditions of sale

Acceptance. The following Terms and Conditions of sale are applicable to all Quotations, Contract, Purchase Orders, Order Acknowledgement Forms, and sales of Seller's services and products, and are the only applicable terms and conditions thereto, except for terms establishing prices, quantities, delivery schedules, terms of payment, invoicing, shipping instructions, and the identification of the products associated with each transaction. If any conflict exists between the Terms and Conditions and a Quotation, Purchase Order, Order Acknowledgment form, or sale, these Terms and Conditions shall prevail BY REQUESTING A QUOTATION OF ORDERING ANY PRODUCTS OR SERVICES FROM SELLER, BUYER AGREES TO ALL THE FOLLOWING TERMS AND CONDITIONS. If a written contract signed by both parties is in existence covering the sale of the goods and services, the terms and conditions of the contract shall control to the extent they are inconsistent with these Terms and Conditions.

1. Order Procedure. Buyer may or may not request the preparation of a Quotation prior to ordering any products or services from Seller. Buyer then shall place a Purchase Order with Seller. By placing a Purchase Order, Buyer makes an offer to purchase products or services from Seller pursuant to these Terms and Conditions. Seller, in its discretion, may accept or reject the Purchase Order. If Seller accepts the Purchase Order, Seller shall issue an Order Acknowledgement Form confirming Buyer's order. No Purchase Order is binding on Seller unless accepted by Seller as provided in these Terms and Conditions.

2. Quotations. All Quotations by Seller are subject to change or withdrawal without prior notice to Buyer unless otherwise specifically stated in the Quotation. Quotation prices are valid on Purchase Orders placed within 90 days of the quote being issued, unless otherwise specifically stated in the quotation. If no order is placed within the stated time frame, prices may be adjusted to reflect the then-current published prices, surcharges, escalators, or other pricing adjustment due to, among other things, costs of materials, labor, transportation, taxes, duties, and other cost increases to Seller. All resulting Purchase Orders become effective only if and when approved and accepted in writing by Seller by the issuance of its Order Acknowledgement Form. Seller reserves the right to discontinue manufacture of any products or change products materials, design, or specifications without notice.

Quotation prices are valid on Purchase Orders placed within 90 days of the quote being issued, unless otherwise specifically stated in this quotation. If no order is placed within the stated time frame, prices may be adjusted to reflect the then-current published prices, surcharges, escalators, or other pricing adjustment due to, among other things, costs of materials, labor, transportation, taxes, duties, and other cost increases to Seller. All resulting Purchase Orders become effective only if and when approved and accepted in writing by Seller by the issuance of its Order Acknowledgement Form. All Quotations and resulting orders are subject to Seller's Terms and Conditions set forth in the price book.

3. Site Requirements.

a. The Quotation is contingent upon all work being performed during normal business hours unless otherwise negotiated and a mutually agreeable schedule. The Quotation is calculated on one continuous installation engagement based on acceptable site conditions where other dependent scopes have completed preparation for proposed materials (i.e. electrical work, floor work, adjacent construction). When Buyer has given authorization for work to begin, no other scopes may impede Seller's ability to complete installation in agreed upon area. Seller reserves the right to invoice for costs that are incurred due to unacceptable site conditions or delays by others resulting in additional installation visits.

b. Signed acceptance by Buyer of shop drawings and/or submittals shall be interpreted as acceptance that proposed scope is the correct interpretation of construction documents. Any field verification and/or work required by others as detailed in the

submittal will be provided and coordinated by Buyer. Work shall not begin nor shall orders be placed for any projects until all shop drawings and submittals have been approved in writing by Buyer.

4. Warranty. Seller warrants only that all products sold pursuant to a Quotation or Purchase Order will conform to the description in the Price Book and will be free from defects in workmanship and materials. The duration of each product warranty is dependent on the particular product. Refer to EAD & DHW warranty statement. Extended warranties may be available for an additional cost. Seller is not responsible for defects or damages caused by wear and tear, consumable materials, vandalism, fires, storms, floods, acts of God, misuse, abuse or alteration by any company other than Seller. Seller further warrants that Buyer will receive good and valid title to the products. Any claim on account of nonconforming or defective products or for any other cause whatsoever shall conclusively be deemed waived by Buyer unless written notice thereof is given to Seller promptly after discovery but no later than sixty (60) days from date of shipment. Seller shall have the right either to replace or repair any nonconforming or defective products, to refund the purchase price upon return of the products, or to grant a reasonable allowance on account of such nonconformance or defect Seller's liability and Buyer's exclusive remedy for nonconforming or defective products shall be limited solely to replacement, repair, refund, or allowance as Seller may elect. Seller shall be given reasonable opportunity to investigate all claims and no materials shall be returned to Seller until after inspection and approval by Seller and receipt by Buyer of written shipping instructions from Seller. Buyer acknowledges and agrees that the remedies set forth in this paragraph are Buyer's exclusive remedies for the delivery of nonconforming or defective products.

Additional Warranties

- a) No credit will be provided for any work completed by others during warranty term.
- b) Warranty work will be performed during normal business hours with our standard response times. Any warranty work taking place beyond normal business hours or with expedited response time may be billable.
- c) Products repaired or replaced under the warranty are warranted only through the remainder of the original warranty period.

DISCLAIMER OF FURTHER WARRANTIES. EXCEPT AS SET FORTH ABOVE, THERE IS NO WARRANTY, REPRESENTATION, OR CONDITION OF ANY KIND, EXPRESS OR IMPLIED (INCLUDING NO WARRANTY OF MERCHANTABILITY OR FITNESS OF THE PRODUCTS FOR ANY USE CONTEMPLATED BY BUYER) CONCERNING

SELLER'S PRODUCTS OR SERVICES AND NONE SHALL BE IMPLIED BY LAW.

5. LIMITATION OF LIABILITY AND REMEDIES. SELLER SHALL NOT BE LIABLE, AND BUYER WAIVES ALL CLAIMS AGAINST SELLER FOR ANY INCIDENTAL, CONSEQUENTIAL, OR SPECIAL DAMAGES, INCLUDING WITHOUT LIMITATION, LOST REVENUES AND PROFITS EVEN IF SELLER HAS BEEN ADVISED OF THE POSSIBILITY OF SUCH DAMAGES. BUYER'S EXCLUSIVE REMEDY FOR ANY CAUSE OF ACTION UNDER THESE TERMS AND CONDITIONS IS A CLAIM FOR DAMAGES AND IN NO EVENT WILL DAMAGES OR ANY OTHER RECOVERY OF ANY KIND AGAINST SELLER EXCEED THE PURCHASE PRICE OF THE SPECIFIC PRODUCTS OR SERVICES AS TO WHICH THE CLAIM IS MADE. SELLER WILL NOT BE LIABLE TO BUYER FOR ANY LOSS, DAMAGE, OR INJURY TO PERSONS OR PROPERTY RESULTING FROM THE HANDLING, STORAGE, TRANSPORTATION, RESALE, OR USE OF THE PRODUCTS IN MANUFACTURING PROCESSES, OR IN COMBINATION WITH OTHER SUBSTANCES, OR OTHERWISE.

6. Intellectual Property Indemnification. (a) Seller agrees to defend, indemnify and hold Buyer harmless against any claims, costs, damages, liability and expenses resulting from actual or alleged patent, trademark, or copyright infringement, misappropriation of confidential information, or violation of any other intellectual property right, domestic or foreign, in the selling or use of any part

General information

Terms and conditions of sale

or product that is owned by Seller and that pertains to the subject matter of a Quotation, Purchase Order, or sale of products or services (provided that the product is not modified in anyway by Buyer or any other party, and that the product is used in the manner intended by Seller). If a suit or claim results in any injunction or any other order that would prevent Seller from supplying any product falling under a Quotation, Purchase Order, or sale, or if the result of such a suit or claim would, in the reasonable opinion of Seller, otherwise cause Seller to be unable to supply such products, Seller shall have the right, at its option, if it so chooses, to do one or more of the following: (i) secure an appropriate license to permit Seller to continue supplying the products to Buyer; (ii) modify the relevant product so that it becomes non-infringing, provided that any modification does not cause any material change to the operation or performance of the product; or (iii) replace the relevant product with a non-infringing but practically equivalent product. (b) Buyer agrees to defend, indemnify, and hold Seller harmless against any claims, costs, damages, liability and expenses resulting from actual or alleged patent, trademark, or copyright infringement, misappropriation of confidential information, or violation of any other intellectual property right, domestic or foreign, in the making, using or selling of any product or using any process that is owned by Buyer or is designed or specified by Buyer and that pertains to the subject matter of a Quotation, Purchase Order, or sale.

7. Ownership of Inventions. All drawings, know-how, designs, confidential information, and the like disclosed to Buyer by Seller and all rights therein will remain the property of Seller. Buyer shall have no claim to, ownership interest in, no license to, or no rights to any information provided or communicated by Seller.

8. Lead Times. If applicable, lead times are based on standard requirements by factory to provide materials proposed. Ship dates will be provided as estimate only once order is placed with the factory. Adequate packaging will be provided for any normal shipping circumstance such that materials will be protected and labeled as required. Special packaging may be provided for an additional expense. Shipping will be cost effective unless expedited fees are accepted by Buyer. If materials are to be provided to job site or Buyer location, Seller will make an informed decision as to the best instruction to provide the shipping company. If materials are not required to have direct delivery, materials will be brought to branch for pickup by Buyer. All freight terms shall be FOB. Any claims for damage in transit or lost freight, receiving, and inspection of materials is the responsibility of Buyer. It is a requirement of Buyer to inspect and review all materials prior to accepting shipment.

9. Title/Risk of Loss. All products shall be shipped FOB Seller's manufacturing facility to Buyer's designated delivery location. Unless otherwise agreed by the parties, Seller shall select the method of and carrier for the products. Seller reserves the right to ship items in a single or in multiple shipments. Title and risk of loss to products ordered passes to Buyer upon delivery of the products to the freight carrier. Unless mutually agreed upon in writing, shipping dates are approximate and are based upon prompt receipt of all necessary information.

10. Prices. Quoted price is valid for 90 days. Seller reserve the right to revise quotations after the 90 days. All accepted Purchase Orders are subject to Seller's price in effect at time of shipment. Buyer shall be responsible for any increase in freight rates or transportation charges occurring after Seller prepared the Order Acknowledgment Form. on the Order Acknowledgment Form. Buyer shall pay to Seller in addition to the purchase price the amount of all fees, duties, licenses, and all sales, use, privilege, occupation, excise, or other taxes, federal, state, local, or foreign which Seller is required to pay or collect in connection with products or services sold to Buyer.

11. Payments. Unless otherwise agreed in writing between the parties, all Seller's invoices are payable within thirty (30) days of their date. Time is of the essence. Interest on past due amounts will be assessed at the rate of 2% per month (24% per annum), or the maximum allowable by law.

Seller reserves the right to full payment upon completion of work

unless credit is pre-established. For any work requiring materials purchase or scheduling, a 50% deposit is due at time of proposal acceptance. Twenty percent (20%) of the Quotation, Purchase Order value may be billed after job award. Joint check agreements may be requested at the discretion of Seller. If payment is outstanding for any one account, work may be stopped and outstanding orders cancelled until account is restored. Should Seller require the use of collection, attorney's fees, or fees for insufficient funds, Buyer agrees that these funds will be repaid to Seller. Seller retains the right to file a lien against all or part of the property being improved. Seller reserves the right to add a 2.5% charge if invoice becomes delinquent beyond terms.

12. Cancellation. In the event a Buyer's Purchase Order and the issuance of an Order Acceptance Form is cancelled, it will be subject to standard 35% restocking fees, cancellation fees, engineering fees, materials & freight costs incurred, and administrative fees. Standard cancellation is 20% of order as long as no materials have been ordered. Should Buyer release material orders, Buyer will be liable for that portion of the job and 20% of the remaining amount of work unperformed/unordered.

13. Storage. If applicable, Seller reserves the right to implement a storage fee if delivery is delayed after agreed upon date. Should project timeline require storage of materials, Seller reserves the right to bill for those materials at the time they have been received at a Seller location, Buyer location, or at job site. Certificate of insurance for stored materials can be provided to Buyer upon request. Signed acceptance by Buyer of shop drawings and/or submittals shall be interpreted as acceptance that proposed scope is the correct interpretation of construction documents. Any field verification and/or work required by others as detailed in the submittal will be provided and coordinated by Buyer.

14. Insolvency. Seller may, at any time or times, suspend performance of any order or require payment in cash, security, or other adequate assurance satisfactory to Seller when, in Seller's opinion, the financial condition of Buyer or other grounds for insecurity, including the filing of a petition for bankruptcy, warrant such action.

15. Force Majeure. Seller shall not be liable for any delay in fulfilling any order due to (a) fires, floods, strikes, or other labor disputes, accidents to machinery, acts of sabotage, riots, precedence or priorities granted at the request or for the benefit, directly or indirectly, of the federal or any state government or any subdivision or agency thereof, delays in transportation or lack of transportation facilities, restrictions imposed by federal or state legislation or rules of regulations thereunder; or (b) any cause beyond the control of Seller.

16. Ownership of Equipment. Unless otherwise agreed in a writing, all material, equipment, facilities, and special tooling, which term includes but is not limited to jigs, dies, fixtures, molds, patterns, special taps, special gauges, special test equipment, and manufacturing aids and replacements thereof, used in the manufacture of the products covered by any order shall remain the property of Seller. Any material, tooling, and equipment furnished to Seller by Buyer shall be and remain the personal property of Buyer with the title to and right of possession remaining in Buyer.

17. Confidential Information. All information furnished or made available by Seller to Buyer in connection with a transaction shall be held in confidence by Buyer. Buyer agrees not to use such information or disclose such information to others without Seller's prior written consent. The obligations of this paragraph does not apply to any information which (a) at the time of disclosure was, or thereafter becomes, generally available to the public by publication or otherwise through no breach by Buyer of any obligation herein, (b) Buyer can show by written records was in Buyer's possession prior to disclosure by the disclosing party, (c) is legally made available to Buyer by or through a third party having no direct or indirect confidentiality obligation to Seller with respect to such information, (d) was independently developed by Buyer without use of any of Seller's confidential information, or (e) is required to be disclosed pursuant to applicable law.

General information

Terms and conditions of sale

18. Waiver. No waiver by Seller of any of these Terms and Conditions shall be effective unless explicitly set forth in writing and signed by Seller. No failure to exercise, or delay in exercising, any rights, remedy, power, or privilege arising from these Terms and Conditions shall operate or be construed as a waiver thereof, nor shall any single or partial exercise of any right, remedy, power, or privilege hereunder preclude any other or further exercise thereof or the exercise of any other right, remedy, power or privilege.

19. Assignment. No assignment of any right or interest or delegation of any obligation or performance of Buyer under this order may be made without the prior written consent of Seller. Any attempted assignment or delegation will be wholly void and totally ineffective for all purposes.

20. Choice of Law. All sales, agreements for sale, offers to sell, proposals, acknowledgments and contracts of sale, including, but not limited to, Purchase Orders accepted by Seller, shall be considered a contract under the laws of the State of Delaware, and the rights and duties of all persons, and the construction and effect of all provisions hereof, shall be governed by and construed according to the laws of the State of Delaware.

21. Integration Clause. These Terms and Conditions constitute the entirety of terms and conditions, except as set forth in paragraph one, governing the sale and purchase of products and services sold by Seller. No modification of these Terms and Conditions shall be of any force or effect unless in writing and signed Seller and Buyer. Buyer may desire to utilize its own form of acknowledgment or acceptance of these Terms and Conditions. However, the use of any such form shall be for convenience only. No modification of these Terms and Conditions shall be affected by the acknowledgment or acceptance of purchase orders, shipping instruction forms, bills of lading or any other document containing terms or conditions at variance with or in addition to those set forth herein, all such varying or additional terms being hereby objected to and rejected by Seller and deemed to be waived by Buyer.

22. Installation Projects. Communication: Buyer shall communicate all of these installation terms to any end-user receiving installation services from dormakaba. Work Execution: Any installation quote is prepared with the understanding that openings within the scope of work ("Work") have doors and frames in good working order. dormakaba will perform the Work in the order set forth in a field survey conducted by an end-user, an end-user consultant, or Buyer prior to beginning the installation. Work shall occur weekdays during normal business hours (M-F, 8am – 5pm, local time). Work performed outside of normal business hours is available at a rate of 135% of the normal base rate. Any Work requested to be performed outside of normal business hours will require start and stop time confirmation with installation site, such start and stop time to be obtained by the Buyer or the end-user. Installation Projects are performed as one continuous installation event, from commencement until the completion of the installation. Unless specifically noted otherwise in writing, there will be additional charges for delays or additional trips not caused by dormakaba. Commencement of installation is conditioned on acceptable site conditions, including the completion of dependent scopes of work (e.g., electrical work, keying meetings, distribution of credentials). When Buyer or end-user has given authorization for work to begin, Buyer or end-user shall ensure no other scopes may impede dormakaba's ability to complete installation in agreed upon area. dormakaba reserves the right to assess a fee for costs incurred due to unacceptable site conditions or delays by others resulting in additional installation visits. Union labor, prevailing wage, and certified payroll are excluded from the installation quote unless otherwise set forth in writing. Insurance certificates will be provided upon request. Coverage is limited to the types and amounts set forth on the insurance certificate. Includes execution of materials only as detailed within proposal. Additional Charges: Additional charges may be assessed for delays or additional install time to correct any deficiencies or discrepancies between scope of work and actual jobsite. Any dormakaba materials delivered to Buyer but missing from installation site will be reordered at

customer's expense. Any hardware changes or change orders shall be quoted on a separate proposal and timeline. Storage: dormakaba reserves the right to assess a storage fee if Buyer or end-user causes delivery to be delayed after the agreed upon delivery date. Should project timeline require storage of materials after delivery to Buyer or end-user, through no act or omission of dormakaba, dormakaba reserves the right to assess a storage fee, Buyer location, or at job site. Certificate of insurance for stored materials can be provided to Buyer upon request. Exclusions: Unless explicitly included in the installation quote, these are excluded: Distribution to staff of any form of keys, fobs or cards or credentials; any temporary security, barricades, or signage; all carpentry work outside of this specification including drywall, paint, framing, patching of existing holes, etc.; union labor, prevailing wage & certified payroll unless noted otherwise; permits are the responsibility of the end-user; Any special consideration for asbestos and lead paint hazards; any bonds; any NFPA or other certification of tolerances or rating concerning product, door, and frame configuration; disposal of material and packaging; damage from negligence, vandalism or Force Majeure; cleaning of site beyond broom clean; cost for special insurance requirements; consumable materials (e.g., batteries); any electrical work including 120v connections and low voltage wiring pulls; and other similar categories of labor and materials not included in the installation quote.

23. Installation Warranty dormakaba will provide one (1) year warranty on materials to be free from manufacturer defects and on installation labor performed. Extended warranties are available for an additional cost. dormakaba is not responsible for defects or damages caused by wear and tear, consumable materials (e.g., batteries), vandalism, fires, storms, floods, acts of God, misuse, abuse, or alteration on by any company other than dormakaba. No credit will be provided for any work completed by others during warranty term. dormakaba reserves the right to withhold the performance of warranty work if Buyer payments have become past due. Warranty work will be performed during normal business hours with our standard response times. Any warranty work taking place beyond normal business hours or with expedited response time may be billable. In the event that Buyer, its agents, employees, successors, and/or assigns tampers with, misuses, removes any parts, or adds any parts or equipment, Buyer agrees to indemnify, save and hold harmless dormakaba, its agents, employees, successors, and/or assigns, from any and all liability, damages, or losses, including reasonable attorney's fees, arising out of, or incidental to, the aforementioned conduct. dormakaba warrants that all goods manufactured by dormakaba and all services provided by dormakaba hereunder will be free from defects in workmanship and materials for twelve (12) months from the date of final project invoice to the carrier, unless sold as "With All Faults", "Shop", "As Is", "As They Stand" or other similar designation. Products repaired or replaced under the warranty are warranted only through the remainder of the original warranty period.

REV April 2024

Table of Contents

How to order	6
Where to order	6
Simplex 5000 Series Cylindrical (Manufactured after March 2005)	8
Simplex 5000 Series Cylindrical (Manufactured Prior to April 2005)	14
Simplex 5010 Series Exit Trim	18
Simplex 1000 Series	22
Simplex L1000 Series	30
Simplex EE1000 Series	39
Simplex 8100 Series	43
Simplex LP1000 Series	50
Simplex 2015 Series	53
Simplex 3000 Series	56
Simplex 6200 Series	61
Simplex 7100 Series	65
Simplex 900 Series	69
Simplex 9600 Series	75
Simplex File Guard Series	79
Additional Kits & Accessories	82-86

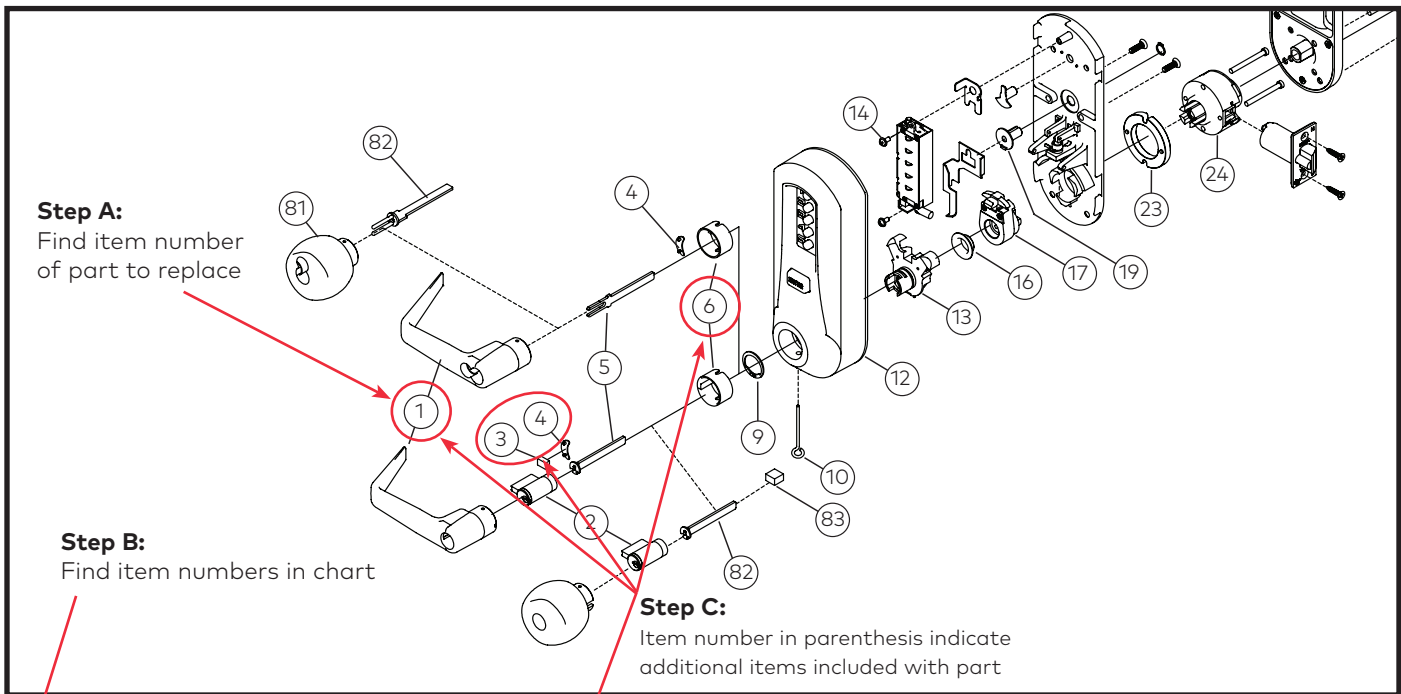
How to Order

Step A: Locate the part you are looking to replace in the appropriate exploded view drawing. Each part is given an item number.

Step B: Find the item number in the left column of the appropriate chart and determine part number.

Step C: If the description of your part also includes additional item numbers in parentheses, those items combine to make a kit. When ordering, please note that the part number listed for this item includes all items listed in the description. (Note: The additional item numbers in parentheses also reference parts in the exploded view drawing.)

Example



Item	Qty/Lock	Description	Finish	Part Number	List Price
1	1	Outside Lever, KIL (Includes 1 ea. #1, #3, #4, #6)	Satin Chrome	3422926D01	\$81.00
		Outside Lever, KIL (Includes 1 ea. #1, #3, #4, #6)	Bright Brass	342290301	\$81.00
		Outside Lever, KIL (Includes 1 ea. #1, #3, #4, #6)	Satin Brass	342290401	\$81.00
		Outside Lever, KIL (Includes 1 ea. #1, #3, #4, #6)	Dark Bronze	3422974401	\$81.00
		Outside Lever, KIL (Includes 1 ea. #1, #3, #4, #6)	Bright Chrome	3422902601	\$81.00

Where to Order



Contact your local supplier or call
1.800.849.8324 or 1.336.725.1331

For More Information

www.dormakaba.us

The following are registered names and/or trademarks:

Abloy®, Adams Rite®, Arrow®, ASSA®, Best®, Black & Decker®, Cal Royal®, Corbin Russwin®, Detex®, Dorma®, Precision®, Kaba®, Marks®, Medeco®, Monarch®, Precision®, Sargent®, Schlage®, Simplex®, Von Duprin®, Weiser®, Yale®

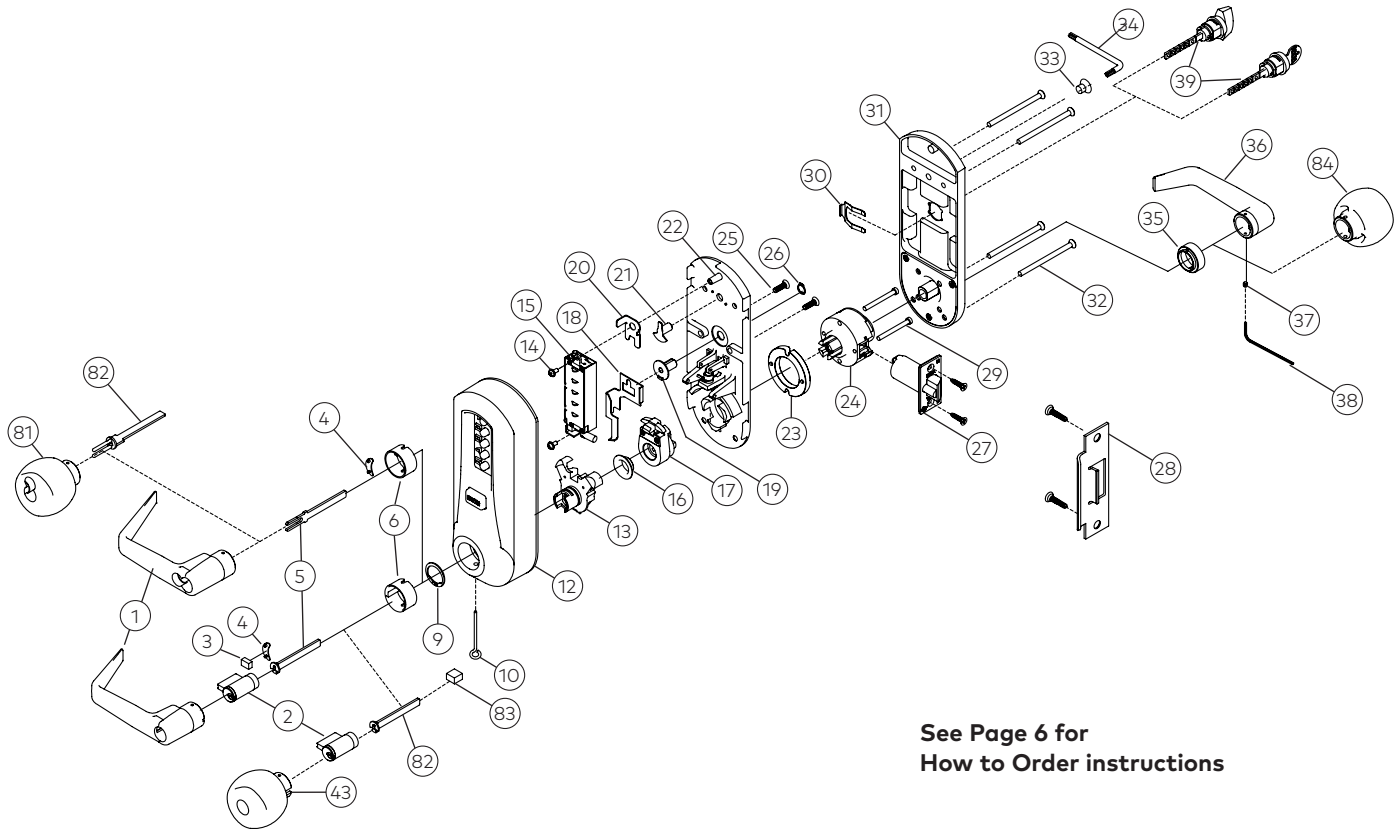
Simplex 5000 Series





Simplex

5000 Series (Manufactured After March 2005)



See Page 6 for
How to Order instructions

Item	Qty/Lock	Description	Finish	Part Number	List Price
1	1	Outside Lever, KIL (Includes 1 ea. #1, #3, #4, #6)	Satin Chrome	3422926D01	\$118.00
		Outside Lever, KIL (Includes 1 ea. #1, #3, #4, #6)	Bright Brass	342290301	\$124.00
		Outside Lever, KIL (Includes 1 ea. #1, #3, #4, #6)	Satin Brass	342290401	\$124.00
		Outside Lever, KIL (Includes 1 ea. #1, #3, #4, #6)	Dark Bronze	3422974401	\$124.00
		Outside Lever, KIL (Includes 1 ea. #1, #3, #4, #6)	Bright Chrome	3422926D01	\$118.00
		Outside Lever, Schlage (Includes 1 ea. #1, #4, #6)	Satin Chrome	3423026D01	\$166.00
		Outside Lever, Schlage (Includes 1 ea. #1, #4, #6)	Bright Brass	342300301	\$166.00
		Outside Lever, Schlage (Includes 1 ea. #1, #4, #6)	Satin Brass	342300401	\$166.00
		Outside Lever, Schlage (Includes 1 ea. #1, #4, #6)	Dark Bronze	3423074401	\$166.00
		Outside Lever, Schlage (Includes 1 ea. #1, #4, #6)	Bright Chrome	3423002601	\$166.00
		Outside Lever, Corbin-Russwin (Includes 1 ea. #1, #4, #6)	Satin Chrome	3423126D01	\$166.00
		Outside Lever, Corbin-Russwin (Includes 1 ea. #1, #4, #6)	Bright Brass	342310301	\$166.00
		Outside Lever, Corbin-Russwin (Includes 1 ea. #1, #4, #6)	Satin Brass	342310401	\$166.00
		Outside Lever, Corbin-Russwin (Includes 1 ea. #1, #4, #6)	Dark Bronze	3423174401	\$166.00
		Outside Lever, Corbin-Russwin (Includes 1 ea. #1, #4, #6)	Bright Chrome	3423102601	\$166.00
		Outside Lever, Sargent (Includes 1 ea. #1, #4, #6)	Satin Chrome	3423226D01	\$166.00
		Outside Lever, Sargent (Includes 1 ea. #1, #4, #6)	Bright Brass	342320301	\$166.00

Simplex

5000 Series (Manufactured After March 2005)



Item	Qty/Lock	Description	Finish	Part Number	List Price
1	1	Outside Lever, Sargent (Includes 1 ea. #1, #4, #6)	Satin Brass	342320401	\$166.00
		Outside Lever, Sargent (Includes 1 ea. #1, #4, #6)	Dark Bronze	3423274401	\$166.00
		Outside Lever, Sargent (Includes 1 ea. #1, #4, #6)	Bright Chrome	3423202601	\$166.00
		Outside Lever, Best (Includes 1 ea. #1, #4, #6)	Satin Chrome	3423326D01	\$166.00
		Outside Lever, Best (Includes 1 ea. #1, #4, #6)	Bright Brass	342330301	\$166.00
		Outside Lever, Best (Includes 1 ea. #1, #4, #6)	Satin Brass	342330401	\$166.00
		Outside Lever, Best (Includes 1 ea. #1, #4, #6)	Dark Bronze	3423374401	\$166.00
		Outside Lever, Best (Includes 1 ea. #1, #4, #6)	Bright Chrome	3423302601	\$166.00
		Outside Lever, Assa/Medeco/Yale (Includes 1 ea. #1, #4, #6)	Satin Chrome	3423426D01	\$166.00
		Outside Lever, Assa/Medeco/Yale (Includes 1 ea. #1, #4, #6)	Bright Brass	342340301	\$166.00
		Outside Lever, Assa/Medeco/Yale (Includes 1 ea. #1, #4, #6)	Satin Brass	342340401	\$166.00
		Outside Lever, Assa/Medeco/Yale (Includes 1 ea. #1, #4, #6)	Dark Bronze	3423474401	\$166.00
		Outside Lever, Assa/Medeco/Yale (Includes 1 ea. #1, #4, #6)	Bright Chrome	3423402601	\$166.00
2	1	Kaba KIL Cylinder (w/keys), Keyed Differently	Satin Chrome	5456226D01	\$65.00
		Kaba KIL Cylinder (w/keys), Keyed Differently	Satin Brass	545620401	\$65.00
		Schlage KIL Cylinder (w/keys), Keyed Differently	Satin Chrome	5456826D01	\$65.00
		Schlage KIL Cylinder (w/keys), Keyed Differently	Satin Brass	545680401	\$65.00
		KABA90 Key Blank, 50/Box - Available from Ilco Division - Rocky Mount		KABA90	
3	1	Cylinder Keeper - Lever Sleeve Accessory Kit, KIL (Includes 1 ea. #3, #4, #6, #83)		6470600001	\$25.00
4	1	Outside Lever Insert (10 Pack)		5452700010	\$19.00
5	1	Tailpiece Kit, KIL (Includes 5 tailpieces - fits various cylinders)		7489200001	\$30.00
		Tailpiece Kit, Best (6 and 7-pin)		6472400001	\$22.00
		Tailpiece Kit, Corbin-Russwin/Sargent		2447100001	\$22.00
		Tailpiece Kit, Assa/Medeco/Yale (5/6/7-pin)		7483600001	\$22.00
		Tailpiece Kit, Schlage		5461800001	\$22.00
6	1	Lever Sleeve - Lever Sleeve Accessory Kit, KIL (Includes 1 ea. #3, #4, #6, #83)		6470600001	\$25.00
		Lever Sleeve - Lever Sleeve Accessory Kit, IC (Includes 1 ea. #4, #6)		6470700001	\$25.00
9	1	External Retaining Ring (10 Pack)		5451700010	\$19.00
10	1	Lever Release Tool - Accessory Tool Kit (Includes 1 ea. #10, #38)		6471700001	\$19.00
12	1	Outside Housing, Exterior Code Change (Includes code buttons and enter button)	Satin Chrome	7495626D01	\$218.00
		Outside Housing, Exterior Code Change (Includes code buttons and enter button)	Bright Brass	749560301	\$218.00
		Outside Housing, Exterior Code Change (Includes code buttons and enter button)	Satin Brass	749560401	\$218.00
		Outside Housing, Exterior Code Change (Includes code buttons and enter button)	Dark Bronze	7495674401	\$218.00
		Outside Housing, Exterior Code Change (Includes code buttons and enter button)	Wrinkle Black	7495608301	\$218.00
		Outside Housing, Exterior Code Change (Includes code buttons and enter button)	Bright Chrome	7495602601	\$218.00
		Outside Housing, Interior Code Change (Includes code buttons and enter button)	Satin Chrome	7496026D01	\$218.00
		Outside Housing, Interior Code Change (Includes code buttons and enter button)	Bright Brass	749600301	\$218.00



Simplex

5000 Series (Manufactured After March 2005)

Item	Qty/Lock	Description	Finish	Part Number	List Price
12	1	Outside Housing, Interior Code Change (Includes code buttons and enter button)	Satin Brass	749600401	\$218.00
		Outside Housing, Interior Code Change (Includes code buttons and enter button)	Dark Bronze	7496074401	\$218.00
		Outside Housing, Interior Code Change (Includes code buttons and enter button)	Wrinkle Black	7496008301	\$218.00
		Outside Housing, Interior Code Change (Includes code buttons and enter button)	Bright Chrome	7496002601	\$218.00
13	1	Outside Driver Assembly (Includes 1 ea. of #9, #13)		7495400001	\$58.00
14	2	Screw, #6-32 x 5/16", Pan hd, SEM - Screw Pack (10 ea. 6-32 x 3/8", 5/16", 7/16")		6477600001	\$19.00
15	1	Combination Chamber		7483200001	\$129.00
16	1	Driver Bearing (10 Pack)		3418900010	\$18.00
17	1	Extension Sleeve Assembly (Fits standard or passage)		7490000001	\$46.00
18	1	Passage Actuator Plate - Passage Kit (Includes 1 ea. #18, #19, #26)		6474700001	\$26.00
19	1	Passage Actuator Cam - Passage Kit (Includes 1 ea. #18, #19, #26)		6474700001	\$26.00
20	1	Interior Code Change Bracket -Interior Code Change Actuator Kit (Includes 1 ea. #20, #21)		6474800001	\$21.00
21	1	Interior Code Change Actuator - Interior Code Change Actuator Kit (Includes 1 ea. #20, #21)		6474800001	\$21.00
22	1	Outside Base Assembly without Chamber		7520700001	\$111.00
23	1	1/4" Spacer (Includes 2 ea. #23, #29)		6471200001	\$19.00
24	1	Cylindrical Drive Unit Assembly (CDU)		7484100001	\$82.00
25	2	Outside Base Screw (10 Pack)		5446100010	\$19.00
26	1	Retaining Ring (10 Pack)		20144000010	\$19.00
27	1	Latch 12" Floating Face, 2 3/4" Backset - 3 Hour Fire Rated (Includes Screws)	Satin Chrome	20416826D01	\$60.00
		Latch 12" Floating Face, 2 3/4" Backset - 3 Hour Fire Rated (Includes Screws)	Bright Brass	2041680301	\$60.00
		Latch 12" Floating Face, 2 3/4" Backset - 3 Hour Fire Rated (Includes Screws)	Satin Brass	2041680401	\$60.00
		Latch 12" Floating Face, 2 3/4" Backset - 3 Hour Fire Rated (Includes Screws)	Dark Bronze	20416874401	\$57.00
		Latch 3/4" Floating Face, 2 3/4" Backset - 3 Hour Fire Rated (Includes Screws)	Satin Chrome	20114426D01	\$100.00
		Latch 3/4" Floating Face, 2 3/4" Backset - 3 Hour Fire Rated (Includes Screws)	Bright Brass	2011440301	\$100.00
		Latch 3/4" Floating Face, 2 3/4" Backset - 3 Hour Fire Rated (Includes Screws)	Bright Brass	20114474401	\$100.00
		Latch 12" Floating Face, 2 3/8" Backset - 3 Hour Fire Rated (Includes Screws)	Satin Chrome	751852601	\$60.00
		Latch 12" Floating Face, 2 3/8" Backset - 3 Hour Fire Rated (Includes Screws)	Bright Brass	751850301	\$60.00
		Latch 12" Floating Face, 2 3/8" Backset - 3 Hour Fire Rated (Includes Screws)	Satin Brass	751850401	\$57.00
Latch 12" Floating Face, 2 3/8" Backset - 3 Hour Fire Rated (Includes Screws)	Dark Bronze	7518574401	\$57.00		
28	1	ASA Strike Kit 4 7/8" Long (124 mm) (Includes Screws)	Satin Chrome	20411926D01	\$21.00
		ASA Strike Kit 4 7/8" Long (124 mm) (Includes Screws)	Bright Brass	2041190301	\$21.00
		ASA Strike Kit 4 7/8" Long (124 mm) (Includes Screws)	Satin Brass	2041190401	\$21.00
		ASA Strike Kit 4 7/8" Long (124 mm) (Includes Screws)	Dark Bronze	20411974401	\$31.00

Simplex

5000 Series (Manufactured After March 2005)



Item	Qty/Lock	Description	Finish	Part Number	List Price
28	1	Standard "T" Strike Plate Kit (Includes Screws)	Satin Chrome	20422726D01	\$19.00
		Standard "T" Strike Plate Kit (Includes Screws)	Bright Brass	2042270301	\$19.00
		Standard "T" Strike Plate Kit (Includes Screws)	Bright Brass	2042270401	\$19.00
		Standard "T" Strike Plate Kit (Includes Screws)	Dark Bronze	20422774401	\$31.00
29	2	Connecting Screw, Phillips 8-32 X 1 3/8" (Includes 2 ea. #23, #29)		6471200001	\$19.00
30	1	Passage Spring Clip (10 Pack)		20174000010	\$18.00
31	1	Inside Housing Assembly, Complete	Satin Chrome	7484426D01	\$133.00
		Inside Housing Assembly, Complete	Bright Brass	748440301	\$133.00
		Inside Housing Assembly, Complete	Satin Brass	748440401	\$133.00
		Inside Housing Assembly, Complete	Dark Bronze	7484474401	\$133.00
		Inside Housing Assembly, Complete	Wrinkle Black	7484408301	\$133.00
		Inside Housing Assembly, Complete	Bright Chrome	7484402601	\$133.00
		Inside Housing Assembly, Complete, Interior Code Change	Satin Chrome	7487626D01	\$156.00
		Inside Housing Assembly, Complete, Interior Code Change	Bright Brass	748760301	\$156.00
		Inside Housing Assembly, Complete, Interior Code Change	Satin Brass	748760401	\$156.00
		Inside Housing Assembly, Complete, Interior Code Change	Dark Bronze	7487674401	\$156.00
		Inside Housing Assembly, Complete, Interior Code Change	Wrinkle Black	7487608301	\$156.00
		Inside Housing Assembly, Complete, Interior Code Change	Bright Chrome	7487602601	\$156.00
		Inside Housing Assembly, Complete, Passage	Satin Chrome	7490426D01	\$156.00
		Inside Housing Assembly, Complete, Passage	Bright Brass	749040301	\$156.00
		Inside Housing Assembly, Complete, Passage	Satin Brass	749040401	\$156.00
		Inside Housing Assembly, Complete, Passage	Dark Bronze	7490474401	\$156.00
		Inside Housing Assembly, Complete, Passage	Wrinkle Black	7490408301	\$156.00
		Inside Housing Assembly, Complete, Passage	Bright Chrome	7490402601	\$156.00
		Inside Housing Assembly, Complete, Interior Code Change w/ Passage	Satin Chrome	7492726D01	\$172.00
		Inside Housing Assembly, Complete, Interior Code Change w/ Passage	Bright Brass	749270301	\$172.00
Inside Housing Assembly, Complete, Interior Code Change w/ Passage	Satin Brass	749270401	\$172.00		
Inside Housing Assembly, Complete, Interior Code Change w/ Passage	Dark Bronze	7492774401	\$172.00		
Inside Housing Assembly, Complete, Interior Code Change w/ Passage	Wrinkle Black	7492708301	\$172.00		
Inside Housing Assembly, Complete, Interior Code Change w/ Passage	Bright Chrome	7492702601	\$172.00		
32	4	Mounting Screw Kit (4 ea., 3 different lengths)	Satin Chrome	6475326D01	\$25.00
		Mounting Screw Kit (4 ea., 3 different lengths)	Bright Brass	647530301	\$25.00
33	1	Torx Screw - Interior Code Change Screw Kit (Includes 1 ea. #33, #34)		6475200001	\$24.00
34	1	Torx Wrench - Interior Code Change Screw Kit (Includes 1 ea. #33, #34)		6475200001	\$24.00
35	1	Housing Bearing (10 Pack)		3419100010	\$18.00
36	1	Inside Lever Kit (Includes 1 ea. #36, #37, #38)	Satin Chrome	3418626D01	\$93.00
		Inside Lever Kit (Includes 1 ea. #36, #37, #38)	Bright Brass	341860301	\$87.00
		Inside Lever Kit (Includes 1 ea. #36, #37, #38)	Satin Brass	341860401	\$93.00
		Inside Lever Kit (Includes 1 ea. #36, #37, #38)	Dark Bronze	3418674401	\$93.00
		Inside Lever Kit (Includes 1 ea. #36, #37, #38)	Bright Chrome	3418602601	\$87.00
37	2	Inside Lever Set Screw (10 Pack)		5446300010	\$19.00
38	1	Hex Wrench - Accessory Tool Kit (Includes 1 ea. #10, #38)		6471700001	\$19.00
39	1	Passage Thumbturn & Keyturn Kit (Includes 1 ea. #30, #39)	Satin Chrome	80127926D01	\$71.00
		Passage Thumbturn & Keyturn Kit (Includes 1 ea. #30, #39)	Bright Brass	8012790301	\$71.00
		Passage Thumbturn & Keyturn Kit (Includes 1 ea. #30, #39)	Satin Brass	8012790401	\$71.00



Simplex

5000 Series (Manufactured After March 2005)

Item	Qty/Lock	Description	Finish	Part Number	List Price
81	1	Outside Knob, KIK (Includes 1 ea. #6, #81, #83)	Satin Chrome	3424626D01	\$118.00
		Outside Knob, KIK (Includes 1 ea. #6, #81, #83)	Bright Brass	342460301	\$118.00
		Outside Knob, KIK (Includes 1 ea. #6, #81, #83)	Satin Brass	342460401	\$118.00
		Outside Knob, KIK (Includes 1 ea. #6, #81, #83)	Dark Bronze	3424674401	\$118.00
		Outside Knob, KIK (Includes 1 ea. #6, #81, #83)	Bright Chrome	3424602601	\$118.00
		Outside Knob, Corbin-Russwin (Includes 1 ea. #6, #81)	Satin Chrome	3424426D01	\$156.00
		Outside Knob, Corbin-Russwin (Includes 1 ea. #6, #81)	Bright Brass	342440301	\$166.00
		Outside Knob, Corbin-Russwin (Includes 1 ea. #6, #81)	Satin Brass	342440401	\$156.00
		Outside Knob, Corbin-Russwin (Includes 1 ea. #6, #81)	Dark Bronze	3424474401	\$156.00
		Outside Knob, Corbin-Russwin (Includes 1 ea. #6, #81)	Bright Chrome	3424402601	\$156.00
		Outside Knob, Sargent (Includes 1 ea. #6, #81)	Satin Chrome	3424526D01	\$156.00
		Outside Knob, Sargent (Includes 1 ea. #6, #81)	Bright Brass	342450301	\$156.00
		Outside Knob, Sargent (Includes 1 ea. #6, #81)	Satin Brass	342450401	\$156.00
		Outside Knob, Sargent (Includes 1 ea. #6, #81)	Dark Bronze	3424574401	\$156.00
		Outside Knob, Sargent (Includes 1 ea. #6, #81)	Bright Chrome	3424502601	\$156.00
		Outside Knob, Best (Includes 1 ea. #6, #81)	Satin Chrome	3424826D01	\$156.00
		Outside Knob, Best (Includes 1 ea. #6, #81)	Bright Brass	342480301	\$156.00
		Outside Knob, Best (Includes 1 ea. #6, #81)	Satin Brass	342480401	\$156.00
		Outside Knob, Best (Includes 1 ea. #6, #81)	Dark Bronze	3424874401	\$156.00
		Outside Knob, Best (Includes 1 ea. #6, #81)	Bright Chrome	3424802601	\$156.00
		Outside Knob, Schlage (Includes 1 ea. #6, #81)	Satin Chrome	3424926D01	\$156.00
		Outside Knob, Schlage (Includes 1 ea. #6, #81)	Bright Brass	342490301	\$156.00
		Outside Knob, Schlage (Includes 1 ea. #6, #81)	Satin Brass	342490401	\$156.00
		Outside Knob, Schlage (Includes 1 ea. #6, #81)	Dark Bronze	3424974401	\$156.00
		Outside Knob, Schlage (Includes 1 ea. #6, #81)	Bright Chrome	3424902601	\$156.00
		Outside Knob, Assa/Medeco/Yale (Includes 1 ea. #6, #81)	Satin Chrome	3425026D01	\$156.00
		Outside Knob, Assa/Medeco/Yale (Includes 1 ea. #6, #81)	Bright Brass	342500301	\$156.00
		Outside Knob, Assa/Medeco/Yale (Includes 1 ea. #6, #81)	Satin Brass	342500401	\$156.00
		Outside Knob, Assa/Medeco/Yale (Includes 1 ea. #6, #81)	Dark Bronze	3425074401	\$156.00
		Outside Knob, Assa/Medeco/Yale (Includes 1 ea. #6, #81)	Satin Chrome	3425002601	\$156.00
82	1	Tailpiece Kit, KIK - Includes 5 tailpieces - fits various cylinders		7489200001	\$30.00
		Tailpiece Kit, Best (Knob Only) 6 and 7-pin		7498800001	\$21.00
		Tailpiece Kit, Corbin-Russwin (Knob Only)		7498900001	\$21.00
		Tailpiece Kit, Sargent (Knob Only)		7499000001	\$21.00
		Tailpiece Kit, Assa/Medeco/Yale (Knob Only)		7498700001	\$21.00
		Tailpiece Kit, Schlage (Knob Only)		5461800001	\$22.00
83	1	Cylinder Keeper, Knob - Lever Sleeve Accessory Kit, KIL (Includes 1 ea. #3, #4, #6, #83)		6470600001	\$25.00
84	1	Inside Knob Kit (Includes 1 ea. #37, #38, #84)	Satin Chrome	3424726D01	\$87.00
		Inside Knob Kit (Includes 1 ea. #37, #38, #84)	Bright Brass	342470301	\$87.00
		Inside Knob Kit (Includes 1 ea. #37, #38, #84)	Satin Brass	342470401	\$87.00
		Inside Knob Kit (Includes 1 ea. #37, #38, #84)	Dark Bronze	3424774401	\$87.00
		Inside Knob Kit (Includes 1 ea. #37, #38, #84)	Bright Chrome	3424702601	\$87.00

Simplex

5000 Series (Manufactured After March 2005)



Additional Kits & Accessories

See pages 82-86

Note: For kit items that show additional reference #s in parentheses, the quantity required for 1 lock is included in kit.

Note: Lubriplate Aero grease is the "only" lubricant that should be used.

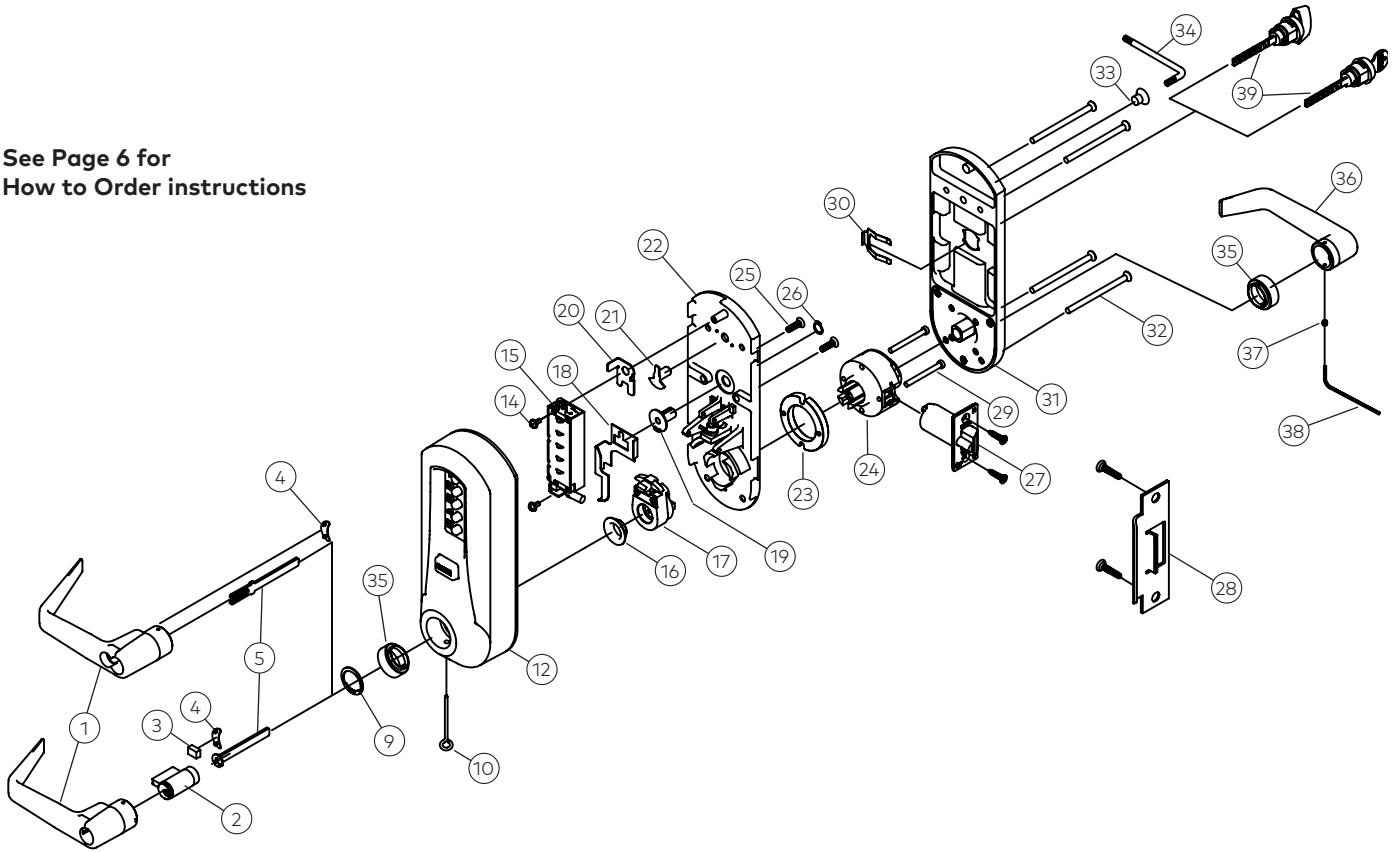
Parts availability may be limited on older component parts no longer used in production units.



Simplex

5000 Series (Manufactured Prior to April 2005)

See Page 6 for
How to Order instructions



Item	Qty/Lock	Description	Finish	Part Number	List Price
1	1	Outside Lever, KIL - No longer available - order 1 ea. #1, #6, #12, #13 from p. 4-6	Satin Chrome	3419726D01	\$118.00
		Outside Lever, KIL - No longer available - order 1 ea. #1, #6, #12, #13 from p. 4-6	Bright Brass	341970301	\$118.00
		Outside Lever, KIL - No longer available - order 1 ea. #1, #6, #12, #13 from p. 4-6	Satin Brass	341970401	\$118.00
		Outside Lever, KIL - No longer available - order 1 ea. #1, #6, #12, #13 from p. 4-6	Dark Bronze	3419774401	\$118.00
		Outside Lever, Schlage - No longer available - order 1 ea. #1, #6, #12, #13 from p. 4-6	Satin Chrome	3419926D01	\$156.00
		Outside Lever, Schlage - No longer available - order 1 ea. #1, #6, #12, #13 from p. 4-6	Bright Brass	341990301	\$156.00
		Outside Lever, Schlage - No longer available - order 1 ea. #1, #6, #12, #13 from p. 4-6	Satin Brass	341990401	\$156.00
		Outside Lever, Schlage - No longer available - order 1 ea. #1, #6, #12, #13 from p. 4-6	Dark Bronze	3419974401	\$156.00
		Outside Lever, Corbin-Russwin - No longer available - order 1 ea. #1, #6, #12, #13 from p. 4-6	Satin Chrome	3420026D01	\$156.00
		Outside Lever, Corbin-Russwin - No longer available - order 1 ea. #1, #6, #12, #13 from p. 4-6	Bright Brass	342000301	\$156.00
		Outside Lever, Corbin-Russwin - No longer available - order 1 ea. #1, #6, #12, #13 from p. 4-6	Satin Brass	342000401	\$156.00

When ordering a replacement housing for locks produced prior to April 2005, you must order a new lever and lever sleeve accessory kit.

Simplex

5000 Series (Manufactured Prior to April 2005)



Item	Qty/Lock	Description	Finish	Part Number	List Price
1	1	Outside Lever, Corbin-Russwin - No longer available - order 1 ea. #1, #6, #12, #13 from p. 4-6	Dark Bronze	3420074401	\$156.00
		Outside Lever, Sargent - No longer available - order 1 ea. #1, #6, #12, #13 from p. 4-6	Satin Chrome	3420126D01	\$156.00
		Outside Lever, Sargent - No longer available - order 1 ea. #1, #6, #12, #13 from p. 4-6	Bright Brass	342010301	\$156.00
		Outside Lever, Sargent - No longer available - order 1 ea. #1, #6, #12, #13 from p. 4-6	Satin Brass	342010401	\$156.00
		Outside Lever, Sargent - No longer available - order 1 ea. #1, #6, #12, #13 from p. 4-6	Dark Bronze	3420174401	\$156.00
		Outside Lever, Best - No longer available - order 1 ea. #1, #6, #12, #13 from p. 4-6	Satin Chrome	3420326D01	\$156.00
		Outside Lever, Best - No longer available - order 1 ea. #1, #6, #12, #13 from p. 4-6	Bright Brass	342030301	\$156.00
		Outside Lever, Best - No longer available - order 1 ea. #1, #6, #12, #13 from p. 4-6	Satin Brass	342030401	\$156.00
		Outside Lever, Best - No longer available - order 1 ea. #1, #6, #12, #13 from p. 4-6	Dark Bronze	3420374401	\$156.00
		Outside Lever, Assa/Medeco/Yale - No longer available - order 1 ea. #1, #6, #12, #13 from p. 4-6	Satin Chrome	3420426D01	\$156.00
		Outside Lever, Assa/Medeco/Yale - No longer available - order 1 ea. #1, #6, #12, #13 from p. 4-6	Bright Brass	342040301	\$156.00
		Outside Lever, Assa/Medeco/Yale - No longer available - order 1 ea. #1, #6, #12, #13 from p. 4-6	Satin Brass	342040401	\$156.00
Outside Lever, Assa/Medeco/Yale - No longer available - order 1 ea. #1, #6, #12, #13 from p. 4-6	Dark Bronze	3420474401	\$156.00		
2	1	Kaba KIL Cylinder (w/keys), Keyed Differently	Satin Chrome	5456226D01	\$65.00
		Kaba KIL Cylinder (w/keys), Keyed Differently	Satin Brass	545620401	\$65.00
		Schlage KIL Cylinder (w/keys), Keyed Differently	Satin Chrome	5456826D01	\$65.00
		Schlage KIL Cylinder (w/keys), Keyed Differently	Satin Brass	545680401	\$65.00
		KABA90 Key Blank, 50/Box - Available from Ilco Division - Rocky Mount		KABA90	
3	1	Cylinder Retainer (10 Pack)		5456900010	\$18.00
4	1	Outside Lever Insert (10 Pack)		5452700010	\$19.00
5	1	Tailpiece Kit, KIL (Includes 5 tailpieces - fits various cylinders)		7489200001	\$30.00
		Tailpiece Kit, Best (6 and 7-pin)		6472400001	\$22.00
		Tailpiece Kit, Corbin-Russwin/Sargent		2447100001	\$22.00
		Tailpiece Kit, Assa/Medeco/Yale		7483600001	\$22.00
		Tailpiece Kit, Schlage		5461800001	\$22.00
9	1	External Retaining Ring (10 Pack)		5451700010	\$19.00
10	1	Lever Release Tool - Accessory Tool Kit (Includes 1 ea. #10, #38)		6471700001	\$19.00
12	1	Outside Housing, Exterior Code Change with Driver - No longer available - order 1 ea. #1, #6, #12, #13 from p. 4-6	Satin Chrome	7495726D01	\$279.00
		Outside Housing, Exterior Code Change with Driver - No longer available - order 1 ea. #1, #6, #12, #13 from p. 4-6	Bright Brass	749570301	\$279.00
		Outside Housing, Exterior Code Change with Driver - No longer available - order 1 ea. #1, #6, #12, #13 from p. 4-6	Satin Brass	749570401	\$279.00
		Outside Housing, Exterior Code Change with Driver - No longer available - order 1 ea. #1, #6, #12, #13 from p. 4-6	Dark Bronze	7495774401	\$279.00
		Outside Housing, Exterior Code Change with Driver - No longer available - order 1 ea. #1, #6, #12, #13 from p. 4-6	Wrinkle Black	7495708301	\$279.00

When ordering a replacement housing for locks produced prior to April 2005, you must order a new lever and lever sleeve accessory kit.



Simplex

5000 Series (Manufactured Prior to April 2005)

Item	Qty/Lock	Description	Finish	Part Number	List Price
12	1	Outside Housing, Interior Code Change with Driver - No longer available - order 1 ea. #1, #6, #12, #13 from p. 4-6	Satin Chrome	7496126D01	\$279.00
		Outside Housing, Interior Code Change with Driver - No longer available - order 1 ea. #1, #6, #12, #13 from p. 4-6	Bright Brass	749610301	\$279.00
		Outside Housing, Interior Code Change with Driver - No longer available - order 1 ea. #1, #6, #12, #13 from p. 4-6	Satin Brass	749610401	\$279.00
		Outside Housing, Interior Code Change with Driver - No longer available - order 1 ea. #1, #6, #12, #13 from p. 4-6	Dark Bronze	7496174401	\$279.00
		Outside Housing, Interior Code Change with Driver - No longer available - order 1 ea. #1, #6, #12, #13 from p. 4-6	Wrinkle Black	7496108301	\$279.00
13	1	Outside Driver - No longer available - order 1 ea. #1, #6, #12, #13 from p. 4-6		N/A	
14	2	Screw, #6-32 x 5/16", Pan hd, SEM - Screw Pack (10 ea. 6-32 x 3/8", 5/16", 7/16")		6477600001	\$19.00
15	1	Combination Chamber		7483200001	\$129.00
16	1	Driver Bearing (10 Pack)		3418900010	\$18.00
17	1	Extension Sleeve Assembly (Fits standard or passage)		7490000001	\$46.00
18	1	Passage Actuator Slide - Passage Kit (Includes 1 ea. #18, #19, #26)		6474700001	\$26.00
19	1	Passage Actuator Cam - Passage Kit (Includes 1 ea. #18, #19, #26)		6474700001	\$26.00
20	1	Interior Code Change Actuator - Interior Code Change Actuator Kit (Includes 1 ea. #20, #21)		6474800001	\$21.00
21	1	Interior Code Change Actuator Cam - Interior Code Change Actuator Kit (Includes 1 ea. #20, #21)		6474800001	\$21.00
22	1	Outside Base Assembly without chamber		7520700001	\$111.00
23	1	1/4" Spacer (Includes 2 of each #23, #29)		6471200001	\$19.00
24	1	Cylindrical Drive Unit Assembly (CDU)		7484100001	\$82.00
25	2	Screw, #10-24 x .625" Phillips, Outside Base (10 Pack)		5446100010	\$19.00
26	1	Retaining Ring (10 Pack)		20144000010	\$19.00
27	1	Latch 12" Floating Face - 3 Hour Fire Rated (Includes Screws)	Satin Chrome	20416826D01	\$60.00
		Latch 12" Floating Face - 3 Hour Fire Rated (Includes Screws)	Bright Brass	2041680301	\$60.00
		Latch 12" Floating Face - 3 Hour Fire Rated (Includes Screws)	Satin Brass	2041680401	\$60.00
		Latch 3/4" Floating Face - 3 Hour Fire Rated (Includes Screws)	Satin Chrome	20114426D01	\$100.00
		Latch 3/4" Floating Face - 3 Hour Fire Rated (Includes Screws)	Bright Brass	2011440301	\$100.00
		Latch 3/4" Floating Face - 3 Hour Fire Rated (Includes Screws)	Bright Brass	20114474401	\$100.00
28	1	ASA Strike Kit 4 7/8" Long (124 mm) (Includes Screws)	Satin Chrome	20411926D01	\$21.00
		ASA Strike Kit 4 7/8" Long (124 mm) (Includes Screws)	Bright Brass	2041190301	\$21.00
		ASA Strike Kit 4 7/8" Long (124 mm) (Includes Screws)	Satin Brass	2041190401	\$21.00
		Standard "T" Strike Plate Kit (Includes Screws)	Satin Chrome	20422726D01	\$19.00
		Standard "T" Strike Plate Kit (Includes Screws)	Bright Brass	2042270301	\$19.00
		Standard "T" Strike Plate Kit (Includes Screws)	Satin Brass	2042270401	\$19.00
29	2	Connecting Screw, Phillips 8-32 X 1 3/8" (Includes 2 ea. #23, #29)		6471200001	\$19.00
		Connecting Screw, Phillips 8-32 X 1 5/8" (Includes 2 ea. #23, #29)		6471200001	\$19.00
30	1	Passage Spring Clip (10 Pack)		20174000010	\$18.00
31	1	Inside Housing Assembly, Complete	Satin Chrome	7484426D01	\$133.00
		Inside Housing Assembly, Complete	Bright Brass	748440301	\$133.00
		Inside Housing Assembly, Complete	Satin Brass	748440401	\$133.00
		Inside Housing Assembly, Complete	Dark Bronze	7484474401	\$133.00

When ordering a replacement housing for locks produced prior to April 2005, you must order a new lever and lever sleeve accessory kit.

Simplex

5000 Series (Manufactured Prior to April 2005)



Item	Qty/Lock	Description	Finish	Part Number	List Price
31	1	Inside Housing Assembly, Complete	Wrinkle Black	7484408301	\$133.00
		Inside Housing Assembly, Complete, Interior Code Change	Satin Chrome	7487626D01	\$156.00
		Inside Housing Assembly, Complete, Interior Code Change	Bright Brass	748760301	\$156.00
		Inside Housing Assembly, Complete, Interior Code Change	Satin Brass	748760401	\$156.00
		Inside Housing Assembly, Complete, Interior Code Change	Dark Bronze	7487674401	\$156.00
		Inside Housing Assembly, Complete, Interior Code Change	Wrinkle Black	7487608301	\$156.00
		Inside Housing Assembly, Complete, Passage	Satin Chrome	7490426D01	\$156.00
		Inside Housing Assembly, Complete, Passage	Bright Brass	749040301	\$156.00
		Inside Housing Assembly, Complete, Passage	Satin Brass	749040401	\$156.00
		Inside Housing Assembly, Complete, Passage	Dark Bronze	7490474401	\$156.00
		Inside Housing Assembly, Complete, Passage	Wrinkle Black	7490408301	\$156.00
		Inside Housing Assembly, Complete, Interior Code Change w/ Passage	Satin Chrome	7492726D01	\$172.00
		Inside Housing Assembly, Complete, Interior Code Change with Passage	Bright Brass	749270301	\$172.00
		Inside Housing Assembly, Complete, Interior Code Change with Passage	Satin Brass	749270401	\$172.00
		Inside Housing Assembly, Complete, Interior Code Change with Passage	Dark Bronze	7492774401	\$172.00
Inside Housing Assembly, Complete, Interior Code Change with Passage	Wrinkle Black	7492708301	\$172.00		
32	4	Mounting Screw Kit (4 ea. of 3 sizes)	Satin Chrome	6475326D01	\$25.00
		Mounting Screw Kit (4 ea. of 3 sizes)	Bright Brass	647530301	\$25.00
33	1	Torx Screw - Interior Code Change Screw Kit (Includes 1 ea. #33, #34)		6475200001	\$24.00
34	1	Torx Wrench - Interior Code Change Screw Kit (Includes 1 ea. #33, #34)		6475200001	\$24.00
35	2	Housing Bearing (10 Pack)		349100010	\$18.00
36	1	Inside Lever Kit (Includes 1 ea. #36, #37, #38)	Satin Chrome	3418626D01	\$93.00
		Inside Lever Kit (Includes 1 ea. #36, #37, #38)	Bright Brass	341860301	\$93.00
		Inside Lever Kit (Includes 1 ea. #36, #37, #38)	Satin Brass	341860401	\$93.00
		Inside Lever Kit (Includes 1 ea. #36, #37, #38)	Dark Bronze	3418674401	\$93.00
37	2	Inside Lever Set Screw (10 Pack)		5446300010	\$19.00
38	1	Hex Wrench - Accessory Tool Kit (Includes 1 ea. #10, #38)		6471700001	\$19.00
39	1	Passage Thumbturn & Keyturn Kit (Includes 1 ea. #30, #39)	Satin Chrome	80127926D01	\$71.00
		Passage Thumbturn & Keyturn Kit (Includes 1 ea. #30, #39)	Bright Brass	8012790301	\$71.00
		Passage Thumbturn & Keyturn Kit (Includes 1 ea. #30, #39)	Satin Brass	8012790401	\$71.00
Additional Kits & Accessories					
See pages 82-86					

Notes:

- For kit items that show additional reference #s in parentheses, the quantity required for 1 lock is included in kit.
- Serial # should be properly identified to assure the correct parts are ordered based on the time of manufacture of your lock.
- When ordering a replacement housing for locks produced prior to April 2005, you must order a new lever and lever sleeve accessory kit.
- Lubriplate Aero grease is the "only" lubricant that should be used.
- Parts availability may be limited on older component parts no longer used in production units.

Simplex 5010 Exit Trim

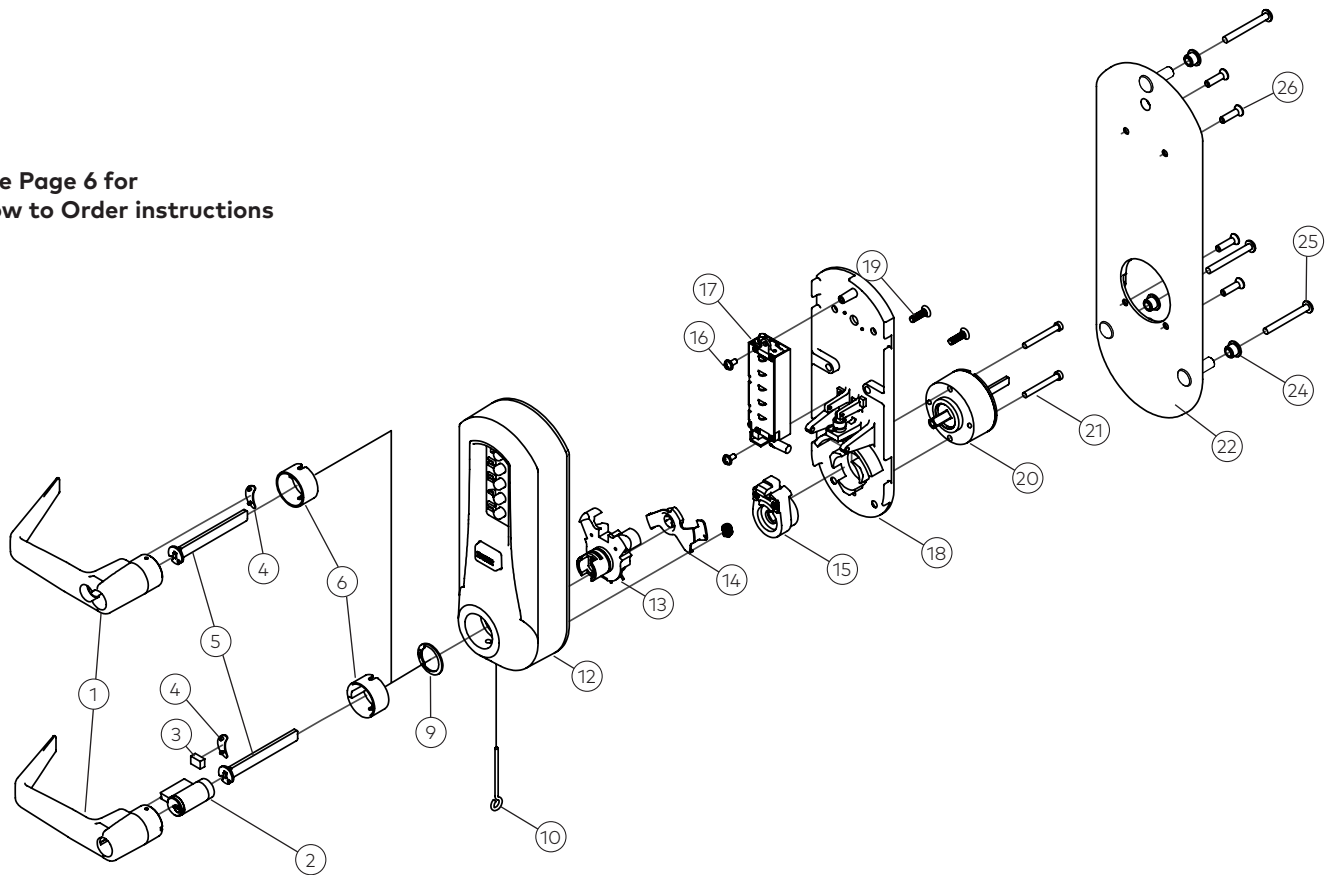


Simplex

5010 Exit Trim



See Page 6 for
How to Order instructions



Item	Qty/Lock	Description	Finish	Part Number	List Price
1	1	Outside Lever, KIL (Includes 1 ea. #1, #3, #4, #6)	Satin Chrome	3422926D01	\$118.00
		Outside Lever, KIL (Includes 1 ea. #1, #3, #4, #6)	Bright Brass	342290301	\$118.00
		Outside Lever, KIL (Includes 1 ea. #1, #3, #4, #6)	Satin Brass	342290401	\$118.00
		Outside Lever, KIL (Includes 1 ea. #1, #3, #4, #6)	Dark Bronze	3422974401	\$118.00
		Outside Lever, KIL (Includes 1 ea. #1, #3, #4, #6)	Bright Chrome	3422902601	\$118.00
		Outside Lever, Schlage (Includes 1 ea. #1, #4, #6)	Satin Chrome	3423026D01	\$156.00
		Outside Lever, Schlage (Includes 1 ea. #1, #4, #6)	Bright Brass	342300301	\$156.00
		Outside Lever, Schlage (Includes 1 ea. #1, #4, #6)	Satin Brass	342300401	\$156.00
		Outside Lever, Schlage (Includes 1 ea. #1, #4, #6)	Dark Bronze	3423074401	\$156.00
		Outside Lever, Schlage (Includes 1 ea. #1, #4, #6)	Bright Chrome	3423002601	\$156.00
		Outside Lever, Corbin-Russwin (Includes 1 ea. #1, #4, #6)	Satin Chrome	3423126D01	\$156.00
		Outside Lever, Corbin-Russwin (Includes 1 ea. #1, #4, #6)	Bright Brass	342310301	\$156.00
		Outside Lever, Corbin-Russwin (Includes 1 ea. #1, #4, #6)	Satin Brass	342310401	\$156.00
		Outside Lever, Corbin-Russwin (Includes 1 ea. #1, #4, #6)	Dark Bronze	3423174401	\$156.00
		Outside Lever, Corbin-Russwin (Includes 1 ea. #1, #4, #6)	Bright Chrome	3423102601	\$156.00
		Outside Lever, Sargent (Includes 1 ea. #1, #4, #6)	Satin Chrome	3423226D01	\$156.00
		Outside Lever, Sargent (Includes 1 ea. #1, #4, #6)	Bright Brass	342320301	\$156.00
		Outside Lever, Sargent (Includes 1 ea. #1, #4, #6)	Satin Brass	342320401	\$156.00
		Outside Lever, Sargent (Includes 1 ea. #1, #4, #6)	Dark Bronze	3423274401	\$156.00
		Outside Lever, Sargent (Includes 1 ea. #1, #4, #6)	Bright Chrome	3423202601	\$156.00

Simplex

5010 Exit Trim



Item	Qty/Lock	Description	Finish	Part Number	List Price
1	1	Outside Lever, Best (Includes 1 ea. #1, #4, #6)	Satin Chrome	3423326D01	\$156.00
		Outside Lever, Best (Includes 1 ea. #1, #4, #6)	Bright Brass	342330301	\$156.00
		Outside Lever, Best (Includes 1 ea. #1, #4, #6)	Satin Brass	342330401	\$156.00
		Outside Lever, Best (Includes 1 ea. #1, #4, #6)	Dark Bronze	3423374401	\$156.00
		Outside Lever, Best (Includes 1 ea. #1, #4, #6)	Bright Chrome	3423302601	\$156.00
		Outside Lever, Assa/Medeco/Yale (Includes 1 ea. #1, #4, #6)	Satin Chrome	3423426D01	\$156.00
		Outside Lever, Assa/Medeco/Yale (Includes 1 ea. #1, #4, #6)	Bright Brass	342340301	\$156.00
		Outside Lever, Assa/Medeco/Yale (Includes 1 ea. #1, #4, #6)	Satin Brass	342340401	\$156.00
		Outside Lever, Assa/Medeco/Yale (Includes 1 ea. #1, #4, #6)	Dark Bronze	3423474401	\$156.00
		Outside Lever, Assa/Medeco/Yale (Includes 1 ea. #1, #4, #6)	Bright Chrome	3423402601	\$156.00
2	1	Kaba KIL Cylinder (w/keys), Keyed Differently	Satin Chrome	5456226D01	\$61.00
		Kaba KIL Cylinder (w/keys), Keyed Differently	Satin Brass	545620401	\$61.00
		Schlage KIL Cylinder (w/keys), Keyed Differently	Satin Chrome	5456826D01	\$61.00
		Schlage KIL Cylinder (w/keys), Keyed Differently	Satin Brass	545680401	\$61.00
		KABA90 Key Blank, 50/Box - Available from Ilco Division - Rocky Mount		KABA90	
3	1	Cylinder Keeper - Lever Sleeve Accessory Kit, KIL (Includes 1 ea. #3, #4, #6)		6470600001	\$25.00
4	1	Outside Lever Insert (10 Pack)		5452700010	\$18.00
5	1	Tailpiece Kit, KIL (Includes 5 tailpieces - fits various cylinders) ET/Mortise		6474500001	\$26.00
		Tailpiece Kit, Best (6 and 7-pin) ET/Mortise		6474300001	\$21.00
		Tailpiece Kit, Corbin-Russwin/Sargent ET/Mortise		2452000001	\$21.00
		Tailpiece Kit, Assa/Medeco/Yale ET/Mortise Yale (5/6/7-pin)		7483600001	\$21.00
		Tailpiece Kit, Schlage ET/Mortise		2452700001	\$21.00
6	1	Lever Sleeve - Lever Sleeve Accessory Kit, KIL (Includes 1 ea. #3, #4, #6)		6470600001	\$25.00
		Lever Sleeve - Lever Sleeve Accessory Kit, IC (Includes 1 ea. #4, #6)		6470700001	\$24.00
9	1	External Retaining Ring (10 Pack)		5451700010	\$18.00
10	1	Lever Release Tool - Accessory Tool Kit (Includes 1 ea. #11, other tools)		6471700001	\$19.00
12	1	Outside Housing, Exterior Code Change (Includes code buttons and enter button)	Satin Chrome	7497626D01	\$218.00
		Outside Housing, Exterior Code Change (Includes code buttons and enter button)	Bright Brass	749760301	\$218.00
		Outside Housing, Exterior Code Change (Includes code buttons and enter button)	Satin Brass	749760401	\$218.00
		Outside Housing, Exterior Code Change (Includes code buttons and enter button)	Dark Bronze	7497674401	\$218.00
		Outside Housing, Exterior Code Change (Includes code buttons and enter button)	Wrinkle Black	7497608301	\$218.00
		Outside Housing, Exterior Code Change (Includes code buttons and enter button)	Bright Chrome	7497602601	\$218.00
13	1	Outside Driver Assembly (Includes 1 ea. #9, #13)		7520100001	\$58.00
14	1	Key Override Detector Kit (Includes detector, spring and washer)		3430800001	\$21.00
15	1	Extension Sleeve Assembly - ET		7511600001	\$46.00
16	2	Screw, #6-32 x 5/16", Pan hd, SEM - Screw Pack (10 ea. 6-32 x 3/8", 5/16", 7/16")		6477600001	\$19.00
17	1	Combination Chamber		7483200001	\$129.00
18	1	Outside Base Assembly without Chamber		7520700001	\$111.00
19	2	Screw, #10-24 x .625" Phillips, Outside Base (10 Pack)		5446100010	\$18.00
20	1	Exit Trim Drive Unit		7496800001	\$76.00



Simplex

5010 Exit Trim

Item	Qty/Lock	Description	Finish	Part Number	List Price
21	2	Connecting Screw 8-32 X 1 3/8" (Incl. 4 ea. #21 - 2 ea. 2 lengths, and 1/4" spacers)		6471200001	\$19.00
		Connecting Screw 8-32 X 1 5/8" (Incl. 4 ea. #21 - 2 ea. 2 lengths, and 1/4" spacers)		6471200001	\$19.00
22	1	Universal Mounting Plate (Includes Fixed Sex Nuts)	Wrinkle Black	7524608301	\$74.00
24	3	Mounting Bushing (10 Pack)	Black	4422906810	\$18.00
25	3	Mounting Screw - Installation Hardware Kit (Includes 2 ea. #21; 3 ea. #24, #25; 4 ea. #26)	Satin Chrome	6472526D01	\$48.00
		Mounting Screw - Installation Hardware Kit (Includes 2 ea. #21; 3 ea. #24, #25; 4 ea. #26)	Bright Brass	647250301	\$48.00
26	4	Screw, 10-24 X .75" (10 Pack) Mounting Plate Screw		5459700010	\$18.00
Additional Kits & Accessories					
See pages 82-86					

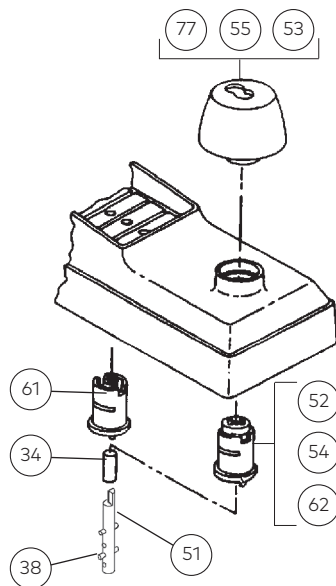
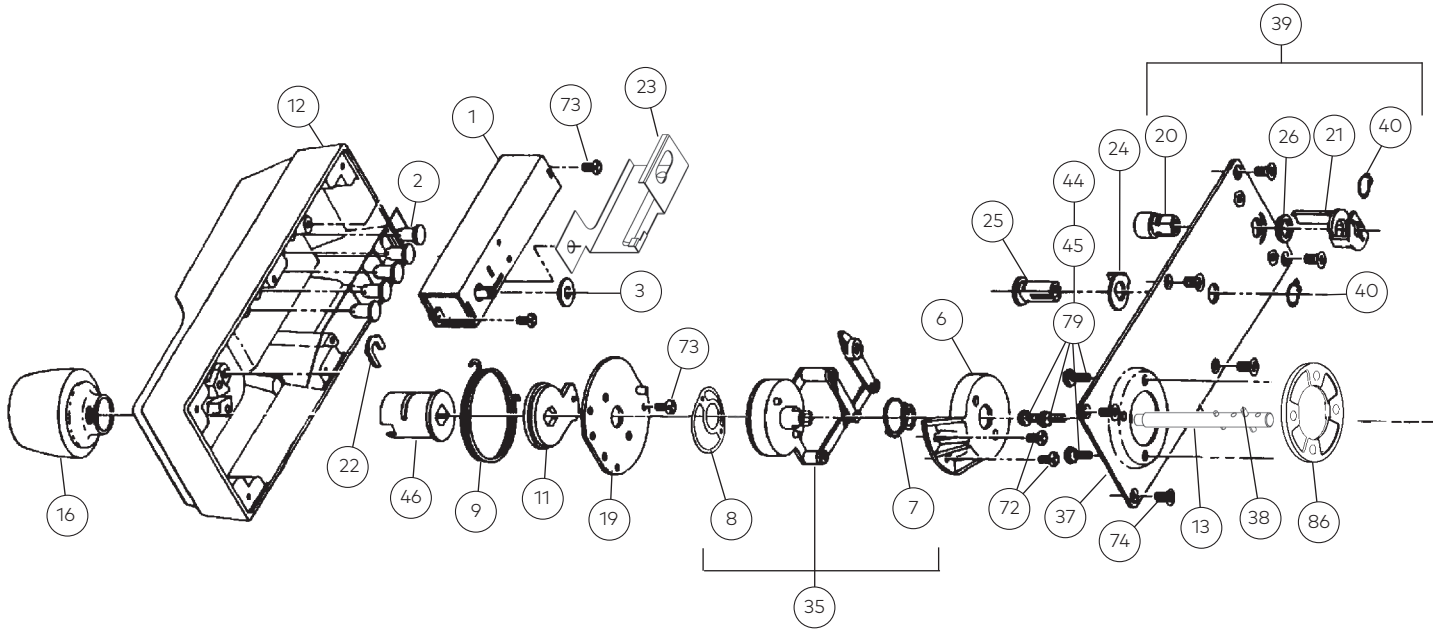
Notes:

- For kit items that show additional reference #s in parentheses, the quantity required for 1 lock is included in kit.
- Lubriplate Aero grease is the "only" lubricant that should be used.
- Parts availability may be limited on older component parts no longer used in production units.

Simplex 1000 Series

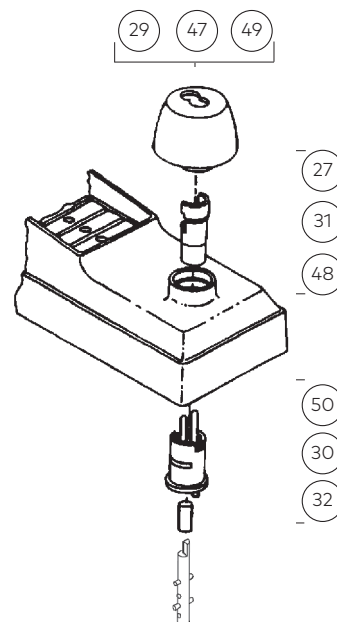


Simplex 1000 Series



Key Override Models

Medeco/ASSA/Yale/Schlage

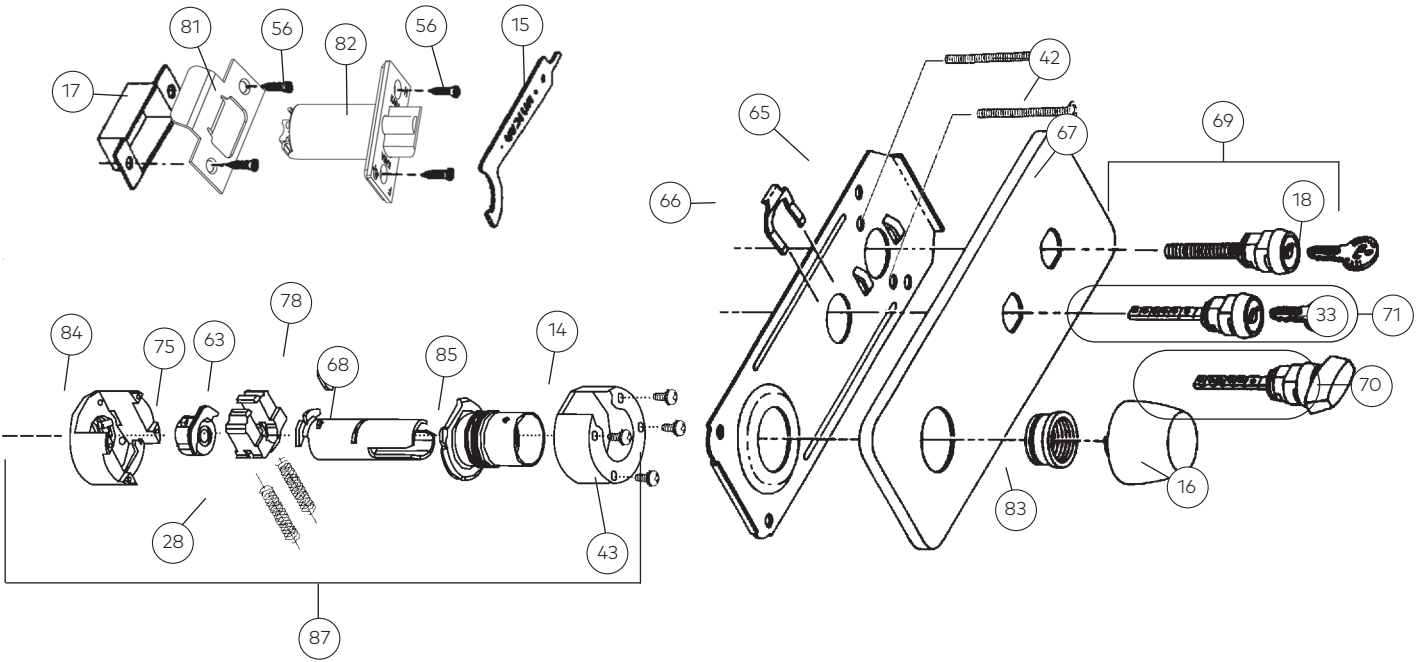


Key Override Models

Best & Equivalents Corbin/
Russwin/Sargent

Note: Older model locks used knob insert (27, 31, 48) to the right. Current production is more represented by model on left.

Simplex 1000 Series



See Page 6 for
How to Order instructions

1000 Series Service Kit



Clutch Assembly



K/O Drive Shaft



Standard
Drive Shaft



Combination
Chamber



Knob Return Spring



Chamber Shaft Bushing



Stop Plate

Item	Part Number	List Price
1000 Series Service Kit	203035-000-01	\$167.00
<ul style="list-style-type: none"> • Chamber Shaft Bushing • Clutch Assembly • Combination Chamber • Drive Shaft (No Key Override) • Drive Shaft (Key Override) • Knob Return Spring • Stop Plate 		



Simplex

1000 Series

Item	Qty/Lock	Description	Finish	Part Number	List Price
1	1	Combination Chamber M-56 / M-63 (Old # 201429-000-01)		7436600001	\$129.00
2	5	Pushbuttons (10 Pack)	Black	20002410610	\$19.00
		Pushbuttons (10 Pack)	Silver	20002410910	\$19.00
3	1	Shaft Bushing (5 Pack)		20002600005	\$18.00
6	1	Clutch Cover Assembly		20100900001	\$19.00
7	1	Balance Spring - Clutch Spring Kit (Includes 1 ea. #7, #8)		20101600001	\$19.00
8	1	Double Wave Spring - Clutch Spring Kit (Includes 1 ea. #7, #8) (Replaced 201018-000-01)		20101600001	\$19.00
9	1	Knob Return Spring - Knob Return Spring Kit (Includes 1 ea. #9, #11)		20104000001	\$18.00
11	1	Stop Plate Assembly - Knob Return Spring Kit (Includes 1 ea. #9, #11)		20104000001	\$18.00
12	1	Front Housing	Satin Chrome	20104926D01	\$118.00
		Front Housing	Bright Chrome	20104902601	\$118.00
		Front Housing	Bright Brass	2010490301	\$118.00
		Front Housing	Antique Brass	2010490501	\$118.00
13	1	Drive Shaft Shaft Assembly for Non Key Override		20105000001	\$23.00
14	1	Shoe Housing Cover		20127700001	\$18.00
15	1	Installation Wrench (spanner wrench) - Code Change Tool Kit (Includes 1 ea. #15, #18)		20127800001	\$17.00
16	1	Knob Assembly - No Key Override (Includes spacer) (Old number 201284)	Satin Chrome	3426426D01	\$87.00
		Knob Assembly - No Key Override (Includes spacer) (Old number 201284)	Bright Chrome	3426402601	\$87.00
		Knob Assembly - No Key Override (Includes spacer) (Old number 201284)	Bright Brass	342640301	\$87.00
		Knob Assembly - No Key Override (Includes spacer) (Old number 201284)	Antique Brass	342640501	\$87.00
17	1	Strike Box (Old Number 55068-000-01)		20128700001	\$16.00
18	1	DF-59 Key - Code Change Tool Kit (Includes 1 ea. #15, #18) (Includes 1 ea. #15, #18)		20127800001	\$17.00
19	1	Clutch Backing Plate		20130400001	\$16.00
20	1	Combination Change Stud - Combination Change Actuator Kit (Includes 1 ea. #20, #21, #26, #40)		20133600001	\$19.00
21	1	Combination Change Sleeve - Combination Change Actuator Kit (Includes 1 ea. #20, #21, #26, #40)		20133600001	\$19.00
22	1	Retainer Clip (For Front Knob) (5 Pack)		20134300005	\$18.00
23	1	Chamber Release - Passage Kit (For models with passage set) (Includes 1 ea. #23, #24, #25, #40)		20182500001	\$34.00
24	1	Chamber Release Cam - Passage Kit (For models with passage set) (Includes 1 ea. #23, #24, #25, #40)		20182500001	\$34.00
25	1	Actuator Stud - Passage Kit (For models with passage set) (Includes 1 ea. #23, #24, #25, #40)		20182500001	\$34.00
26	1	Combination Change Sleeve Washer - Combination Change Actuator Kit (Includes 1 ea. #20, #21, #26, #40)		20133600001	\$19.00
27	1	Knob Insert (Also fits Falcon / Arrow / Eagle / KSP / Lloyd Matheson) (used with 201382 ONLY)		20136500001	\$25.00
28	2	Shoe Spring (For Cylindrical Drive Unit) (10 Pack)		20136600010	\$17.00
29	1	Best Knob Key Override Assembly - (Also fits Falcon / Arrow / Eagle / KSP / Lloyd Matheson) Removable core not included (Old number 201382-000-01) (Knob Insert not Required)	Satin Chrome	3426326D01	\$118.00

Simplex 1000 Series



Item	Qty/Lock	Description	Finish	Part Number	List Price
29	1	Best Knob Key Override Assembly - (Also fits Falcon / Arrow / Eagle / KSP / Lloyd Matheson) Removable core not included (Old number 201382-000-01) (Knob Insert not Required)	Bright Chrome	3426302601	\$118.00
		Best Knob Key Override Assembly - (Also fits Falcon / Arrow / Eagle / KSP / Lloyd Matheson) Removable core not included (Old number 201382-000-01) (Knob Insert not Required)	Bright Brass	342630301	\$118.00
		Best Knob Key Override Assembly - (Also fits Falcon / Arrow / Eagle / KSP / Lloyd Matheson) Removable core not included (Old number 201382-000-01) (Knob Insert not Required)	Antique Brass	342630501	\$118.00
30	1	Best Drive Sleeve Assembly (Also fits Falcon / Arrow / Eagle / KSP / Lloyd Matheson) (Includes 1 ea. #22, #30)		20139100001	\$50.00
31	1	Corbin / Russwin Knob Insert (used with 201523 ONLY)		20141400001	\$25.00
32	1	Corbin / Russwin Drive Sleeve Assembly (Includes 1 ea. #22, #30)		20142100001	\$50.00
33	1	Key DF-5 (For Models with passage set) (2 Pack)		20142200002	\$13.00
34	1	Shaft Self-aligning Bushing (For Models 1021 & 1041)		20142500001	\$17.00
35	1	Clutch Sub-Assembly (Includes 1 ea. #7, #8, #35)		20143000001	\$55.00
38	1	Roll Pin (Upper Pin) 0.100" (2.5 mm) dia. (Includes 1 ea. #38, #57; 2 ea. Satin Chrome #42, #86; 4 ea. #44, #45, #56, #79)	Satin Chrome	20421026D01	\$18.00
		Roll Pin (Upper Pin) 0.100" (2.5 mm) dia. (Includes 1 ea. #38, #57; 2 ea. Bright Chrome #42, #86; 4 ea. #44, #45, #56, #79)	Bright Chrome	2042100301	\$18.00
		Roll Pin (Upper Pin) 0.100" (2.5 mm) dia. (Includes 1 ea. #38, #57; 2 ea. Antique Brass #42, #86; 4 ea. #44, #45, #56, #79)	Antique Brass	2042100501	\$18.00
39	1	Back Plate Sub-assembly (Includes 1 ea. #20, #21, #26, #37, #40)		20143900001	\$35.00
40	1	Retainer Ring 3/8" (9 mm) (For passage set and combination change sleeve) (10 Pack)		20144000010	\$19.00
42	2	Screw 8-32 x 2 1/2" (64 mm) (For mounting lock to door) (Includes 1 ea. #38, #57; 2 ea. #42, #86; 4 ea. #44, #45, #56, #79)	Satin Chrome	20421026D01	\$18.00
		Screw 8-32 x 2 1/2" (64 mm) (For mounting lock to door) (Includes 1 ea. #38, #57; 2 ea. #42, #86; 4 ea. #44, #45, #56, #79)	Bright Brass	2042100301	\$18.00
		Screw 8-32 x 2 1/2" (64 mm) (For mounting lock to door) (Includes 1 ea. #38, #57; 2 ea. #42, #86; 4 ea. #44, #45, #56, #79)	Antique Brass	2042100501	\$18.00
43	4	Sems Screw Phillips 6-32 x 1/4" (6 mm) R.H.M.S. (For shoe housing cover)		20144600010	\$13.00
44	4	Sems Screw Phillips 8-32 x 7/16" (11 mm) R.H.M.S. (For spacer) (Includes 1 ea. #38, #57; 2 ea. #42, #86; 4 ea. #44, #45, #56, #79)	Satin Chrome	20421026D01	\$18.00
		Sems Screw Phillips 8-32 x 7/16" (11 mm) R.H.M.S. (For spacer) (Includes 1 ea. #38, #57; 2 ea. #42, #86; 4 ea. #44, #45, #56, #79)	Bright Brass	2042100301	\$18.00
		Sems Screw Phillips 8-32 x 7/16" (11 mm) R.H.M.S. (For spacer) (Includes 1 ea. #38, #57; 2 ea. #42, #86; 4 ea. #44, #45, #56, #79)	Antique Brass	2042100501	\$18.00
45	4	Sems Screw, Phillips 8-32 x 11/16" (17 mm) R.H.M.S. (For spacer) (Includes 1 ea. #38, #57; 2 ea. #42, #86; 4 ea. #44, #45, #56, #79)	Satin Chrome	20421026D01	\$18.00
		Sems Screw, Phillips 8-32 x 11/16" (17 mm) R.H.M.S. (For spacer) (Includes 1 ea. #38, #57; 2 ea. #42, #86; 4 ea. #44, #45, #56, #79)	Bright Brass	2042100301	\$18.00
		Sems Screw, Phillips 8-32 x 11/16" (17 mm) R.H.M.S. (For spacer) (Includes 1 ea. #38, #57; 2 ea. #42, #86; 4 ea. #44, #45, #56, #79)	Antique Brass	2042100501	\$18.00
46	1	Drive Sleeve Assembly - No Key Override (Old # 201062-045-01) (Includes 1 ea. #22, #46)		20149900001	\$36.00
47	1	Corbin / Russwin Knob Key Override Assembly Removable core not included (Old #201523) (Includes Spacer) (Knob Insert not Required)	Satin Chrome	3426526D01	\$118.00
		Corbin / Russwin Knob Key Override Assembly Removable core not included (Old #201523) (Includes Spacer) (Knob Insert not Required)	Bright Chrome	3426502601	\$118.00



Simplex

1000 Series

Item	Qty/Lock	Description	Finish	Part Number	List Price
47	1	Corbin / Russwin Knob Key Override Assembly Removable core not included (Old #201523) (Includes Spacer) (Knob Insert not Required)	Bright Brass	342650301	\$118.00
		Corbin / Russwin Knob Key Override Assembly Removable core not included (Old #201523) (Includes Spacer) (Knob Insert not Required)	Antique Brass	342650501	\$118.00
48	1	Sargent Knob Insert (used with 201526 ONLY)		20152400001	\$25.00
49	1	Sargent Knob Key Override Assembly (Old #201526) Removable core not included (Includes Spacer) (Knob Insert not Required)	Satin Chrome	3426626D01	\$118.00
		Sargent Knob Key Override Assembly (Old #201526) Removable core not included (Includes Spacer) (Knob Insert not Required)	Bright Chrome	3426602601	\$118.00
		Sargent Knob Key Override Assembly (Old #201526) Removable core not included (Includes Spacer) (Knob Insert not Required)	Bright Brass	342660301	\$118.00
		Sargent Knob Key Override Assembly (Old #201526) Removable core not included (Includes Spacer) (Knob Insert not Required)	Antique Brass	342660501	\$118.00
50	1	Sargent Drive Sleeve Assembly (Includes 1 ea. #22, #50)		20153000001	\$50.00
51	1	Drive Shaft Assembly for Key Override (Old #201267-045-01)		20154700001	\$25.00
52	1	Medeco / ASSA / Yale Drive Sleeve Assembly (Use spacer # 201569 and #203054 for 5-6pin Medeco / ASSA cylinders) (Includes 1 ea. #22, #52)		20154800001	\$77.00
53	1	Medeco / ASSA / Yale Knob Key Override Assembly. Removable core not included. (Use spacer #201569 and #203054 for 5-6pin Medeco / ASSA cylinders) (old # 201517)	Satin Chrome	3426826D01	\$118.00
		Medeco / ASSA / Yale Knob Key Override Assembly. Removable core not included. (Use spacer #201569 and #203054 for 5-6pin Medeco / ASSA cylinders) (old # 201517)	Bright Chrome	3426802601	\$118.00
		Medeco / ASSA / Yale Knob Key Override Assembly. Removable core not included. (Use spacer #201569 and #203054 for 5-6pin Medeco / ASSA cylinders) (old # 201517)	Bright Brass	342680301	\$118.00
		Medeco / ASSA / Yale Knob Key Override Assembly. Removable core not included. (Use spacer #201569 and #203054 for 5-6pin Medeco / ASSA cylinders) (old # 201517)	Antique Brass	342680501	\$118.00
54	1	Schlage Drive Sleeve Assembly (Old # 201559-045-01) (Includes 1 ea. #22, #54)		20155500001	\$77.00
55	1	Schlage Knob Key Override Assembly. Removable core not included	Satin Chrome	3426726D01	\$118.00
		Schlage Knob Key Override Assembly. Removable core not included	Bright Chrome	3426702601	\$118.00
		Schlage Knob Key Override Assembly. Removable core not included	Bright Brass	342670301	\$118.00
		Schlage Knob Key Override Assembly. Removable core not included	Antique Brass	342670501	\$118.00
56	4	Combination Screw; Phillips 8-32 x 3/4" (19 mm) (For Latch & Strike Plate) (10 Pack)	Satin Chrome	20156526D10	\$18.00
		Combination Screw; Phillips 8-32 x 3/4" (19 mm) (For Latch & Strike Plate) (10 Pack)	Bright Brass	2015650310	\$18.00
		Combination Screw; Phillips 8-32 x 3/4" (19 mm) (For Latch & Strike Plate) (10 Pack)	Antique Brass	2015650510	\$18.00
57	1	Rubber Bumper (For Door Frame) (Self adhesive strip of 4) (5 Pack)		20156800005	\$18.00
58	1	Medeco Knob Spacer (For 5 and 6-pin Medeco / ASSA)		20156900001	\$25.00
62	1	ASSA Drive Sleeve Assembly (Includes 1 ea. #22, #62)		20160900001	\$77.00
63	1	Shoe (Old # 201272-000-01)		20172300001	\$18.00
64	1	Unified Trim Plate - Standard (Not shown in exploded view)	Satin Chrome	20173626D01	\$50.00
		Unified Trim Plate - Standard (Not shown in exploded view)	Bright Chrome	20173602601	\$50.00
		Unified Trim Plate - Standard (Not shown in exploded view)	Bright Brass	2017360301	\$50.00
		Unified Trim Plate - Standard (Not shown in exploded view)	Antique Brass	2017360501	\$50.00
65	1	Reinforcing Plate		20173800001	\$19.00

Simplex 1000 Series



Item	Qty/Lock	Description	Finish	Part Number	List Price
66	1	Passage Spring Clip (10 Pack)		20174000010	\$18.00
67	1	Unified Trim Plate (For Passage set Models)	Satin Chrome	20174526D01	\$50.00
		Unified Trim Plate (For Passage set Models)	Bright Chrome	20174502601	\$50.00
		Unified Trim Plate (For Passage set Models)	Bright Brass	2017450301	\$50.00
		Unified Trim Plate (For Passage set Models)	Antique Brass	2017450501	\$50.00
68	1	Inside Drive Sleeve Assembly (Includes 1 ea. #68, #78) (Old #20127504501)		20178200001	\$25.00
69	1	Combination Change Plug Assembly with (2) DF59 keys	Satin Chrome	20178726D01	\$29.00
		Combination Change Plug Assembly with (2) DF59 keys	Bright Brass	2017870301	\$29.00
		Combination Change Plug Assembly with (2) DF59 keys	Antique Brass	2017870501	\$29.00
70	1	Passage Set Thumb Turn Plug Assembly	Satin Chrome	20180726D01	\$29.00
		Passage Set Thumb Turn Plug Assembly	Bright Brass	2018070301	\$29.00
		Passage Set Thumb Turn Plug Assembly	Antique Brass	2018070501	\$29.00
71	1	Passage Set Key Turn Plug Assembly (with (2) DF5 keys)	Satin Chrome	20181826D01	\$29.00
		Passage Set Key Turn Plug Assembly (with (2) DF5 keys)	Bright Brass	2018180301	\$29.00
		Passage Set Key Turn Plug Assembly (with (2) DF5 keys)	Antique Brass	2018180501	\$29.00
72	2	Sems Screw Phillips 6-32 x 7/16" (11 mm) R.H.M.S. (For clutch cover) (Includes 10 ea. #72, #73, #74)		6477600001	\$19.00
73	2	Sems Screw Phillips 6-32 x 5/16" (8 mm) R.H.M.S. (For combination chamber & clutch backing plate) (Includes 10 ea. #72, #73, #74) Screw Pack (10 ea. 6-32 x 3/8", 5/16", 7/16")		6477600001	\$19.00
74	6	Screw - Phillips 6-32 x 3/8" (10 mm) F.H.M.S. (For back plate) (Replaces 201444-022-10) (Includes 10 ea. #72, #73, #74) Screw Pack (10 ea. 6-32 x 3/8", 5/16", 7/16")		6477600001	\$19.00
75	1	Drive Insert (Old # 201218-000-01)		20401500001	\$35.00
78	1	Retainer Clip (For Inside Knob) (5 Pack)		20412000005	\$18.00
79	4	Sems Screw Phillips 8-32 x 5/16" (5 mm) R.H.M.S. (For spacer) (Old # 201449) (Includes 1 ea. #38, #57; 2 ea. #42, #86; 4 ea. #44, #45, #56, #79)	Satin Chrome	20421026D01	\$18.00
		Sems Screw Phillips 8-32 x 5/16" (5 mm) R.H.M.S. (For spacer) (Old # 201449) (Includes 1 ea. #38, #57; 2 ea. #42, #86; 4 ea. #44, #45, #56, #79)	Bright Brass	2042100301	\$18.00
		Sems Screw Phillips 8-32 x 5/16" (5 mm) R.H.M.S. (For spacer) (Old # 201449) (Includes 1 ea. #38, #57; 2 ea. #42, #86; 4 ea. #44, #45, #56, #79)	Antique Brass	2042100501	\$18.00
80	1	Spacer (Passage Feature for 1031/1041 Models) (Not shown in exploded view) (10 Pack)		20416000010	\$18.00
81	1	Standard "T" Strike Plate (Old # 201288 or 204167)	Satin Chrome	20422726D01	\$19.00
		Standard "T" Strike Plate (Old # 201288 or 204167)	Bright Brass	2042270301	\$19.00
		Standard "T" Strike Plate (Old # 201288 or 204167)	Antique Brass	2042270501	\$18.00
		Standard "T" Strike Plate (Old # 201288 or 204167)	Bright Chrome	20422702601	\$18.00
		ASA Strike (For 4 7/8" (105 mm) long cutout) (Old # 201413 or 1000-15-26D)	Satin Chrome	20411926D01	\$19.00
		ASA Strike (For 4 7/8" (105 mm) long cutout) (Old # 201413 or 1000-15-03)	Bright Brass	2041190301	\$19.00
		ASA Strike (For 4 7/8" (105 mm) long cutout) (Old # 201413 or 1000-15-05)	Antique Brass	2041190501	\$19.00
82	1	1/2" (13 mm) Floating Front Throw Latch 2 3/4" (70 mm) Backset	Satin Chrome	20416826D01	\$60.00
		1/2" (13 mm) Floating Front Throw Latch 2 3/4" (70 mm) Backset	Bright Brass	2041680301	\$60.00
		1/2" (13 mm) Floating Front Throw Latch 2 3/4" (70 mm) Backset	Antique Brass	2041680501	\$57.00

Simplex 1000 Series



Item	Qty/Lock	Description	Finish	Part Number	List Price
82	1	3/4" (19mm) Brass Latch - carries 3-hour UL/ULC fire rating for "A" labeled doors. 2 3/4" (70 mm) backset. Beveled front.	Bright Brass	2011440301	\$95.00
		3/4" (19mm) Brass Latch - carries 3-hour UL/ULC fire rating for "A" labeled doors. 2 3/4" (70 mm) backset. Beveled front.	Antique Brass	2011440501	\$95.00
		3/4" (19mm) Brass Latch - carries 3-hour UL/ULC fire rating for "A" labeled doors. 2 3/4" (70 mm) backset. Beveled front.	Satin Chrome	20114426D01	\$95.00
		Latch 1/2" Floating Face, 2 3/8" Backset - 3 Hour Fire Rated (Includes Screws)	Satin Chrome	751852601	\$57.00
		Latch 1/2" Floating Face, 2 3/8" Backset - 3 Hour Fire Rated (Includes Screws)	Bright Brass	751850301	\$60.00
		Latch 1/2" Floating Face, 2 3/8" Backset - 3 Hour Fire Rated (Includes Screws)	Antique Brass	751850501	\$57.00
83	1	Thread Ring (Old #201282)	Satin Chrome	20416926D01	\$19.00
		Thread Ring (Old #201282)	Bright Brass	2041690301	\$19.00
		Thread Ring (Old #201282)	Antique Brass	2041690501	\$19.00
84	1	Shoe Retainer and Bridge Assembly		20419900001	\$55.00
85	1	Shoe Retainer Cap Assembly	Satin Chrome	20420026D01	\$47.00
		Shoe Retainer Cap Assembly	Bright Chrome	20420002601	\$47.00
		Shoe Retainer Cap Assembly	Bright Brass	2042000301	\$47.00
		Shoe Retainer Cap Assembly	Antique Brass	2042000501	\$47.00
86	1	1/4" Spacer, Door Thickness Kit (Includes 1 ea. #38, #57; 2 ea. #42, #86; 4 ea. #44, #45, #56, #79)	Satin Chrome	20421026D01	\$18.00
		1/4" Spacer, Door Thickness Kit (Includes 1 ea. #38, #57; 2 ea. #42, #86; 4 ea. #44, #45, #56, #79)	Bright Brass	2042100301	\$18.00
		1/4" Spacer, Door Thickness Kit (Includes 1 ea. #38, #57; 2 ea. #42, #86; 4 ea. #44, #45, #56, #79)	Antique Brass	2042100501	\$18.00
87	1	Cylindrical Drive Unit Assembly (Includes 1 ea. #14, #63, #68, #75, #78, #84, #85; 2 ea. #28; 4 ea. #43)	Satin Chrome	20420226D01	\$148.00
		Cylindrical Drive Unit Assembly (Includes 1 ea. #14, #63, #68, #75, #78, #84, #85; 2 ea. #28; 4 ea. #43)	Bright Chrome	20420202601	\$148.00
		Cylindrical Drive Unit Assembly (Includes 1 ea. #14, #63, #68, #75, #78, #84, #85; 2 ea. #28; 4 ea. #43)	Bright Brass	2042020301	\$148.00
		Cylindrical Drive Unit Assembly (Includes 1 ea. #14, #63, #68, #75, #78, #84, #85; 2 ea. #28; 4 ea. #43)	Antique Brass	2042020501	\$148.00
88	1	Back Plate Assembly (Includes 1 ea. #39, #86, #87; 4 ea. #44) (Not shown in exploded view)	Satin Chrome	20420326D01	\$172.00
		Back Plate Assembly (Includes 1 ea. #39, #86, #87; 4 ea. #44) (Not shown in exploded view)	Bright Brass	2042030301	\$172.00
		Back Plate Assembly (Includes 1 ea. #39, #86, #87; 4 ea. #44) (Not shown in exploded view)	Antique Brass	2042030501	\$172.00
89	1	Screw Pack (Includes 1 ea. #38, #57; 2 ea. #42, #86; 4 ea. #44, #45, #56, #79) (Not shown in exploded view)	Satin Chrome	20421026D01	\$18.00
		Screw Pack (Includes 1 ea. #38, #57; 2 ea. #42, #86; 4 ea. #44, #45, #56, #79) (Not shown in exploded view)	Bright Brass	2042100301	\$18.00
		Screw Pack (Includes 1 ea. #38, #57; 2 ea. #42, #86; 4 ea. #44, #45, #56, #79) (Not shown in exploded view)	Antique Brass	2042100501	\$18.00
90	1	Installation Hardware Kit (Includes 1 ea. #15, #17, #69, #81, #83, #89; 2 ea. #86) (Not shown in exploded view)	Satin Chrome	20421126D11	\$57.00
		Installation Hardware Kit (Includes 1 ea. #15, #17, #69, #81, #83, #89; 2 ea. #86) (Not shown in exploded view)	Bright Brass	2042110311	\$57.00
		Installation Hardware Kit (Includes 1 ea. #15, #17, #69, #81, #83, #89; 2 ea. #86) (Not shown in exploded view)	Antique Brass	2042110511	\$57.00

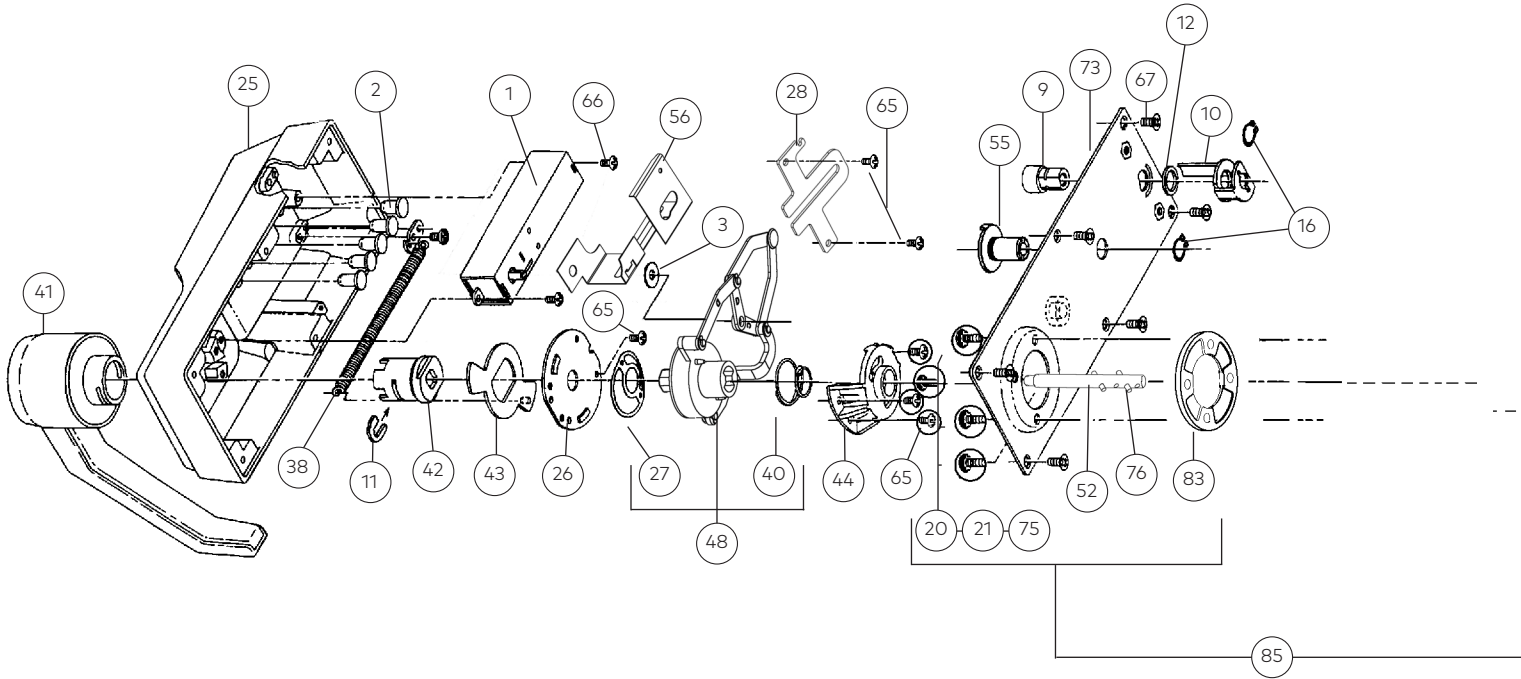
Simplex L1000 Series



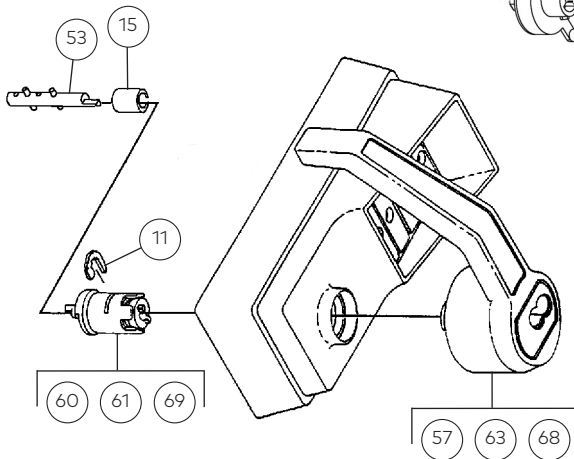
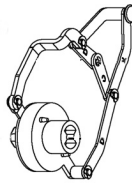


Simplex

L1000 Series

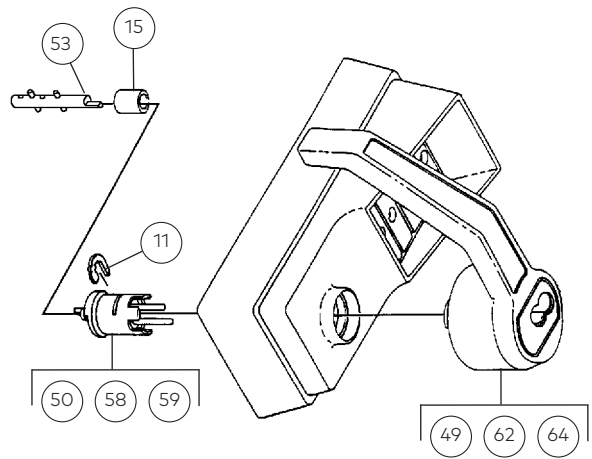


Right Hand Clutch



Key Override Models

Medeco/ASSA/Yale/Schlage



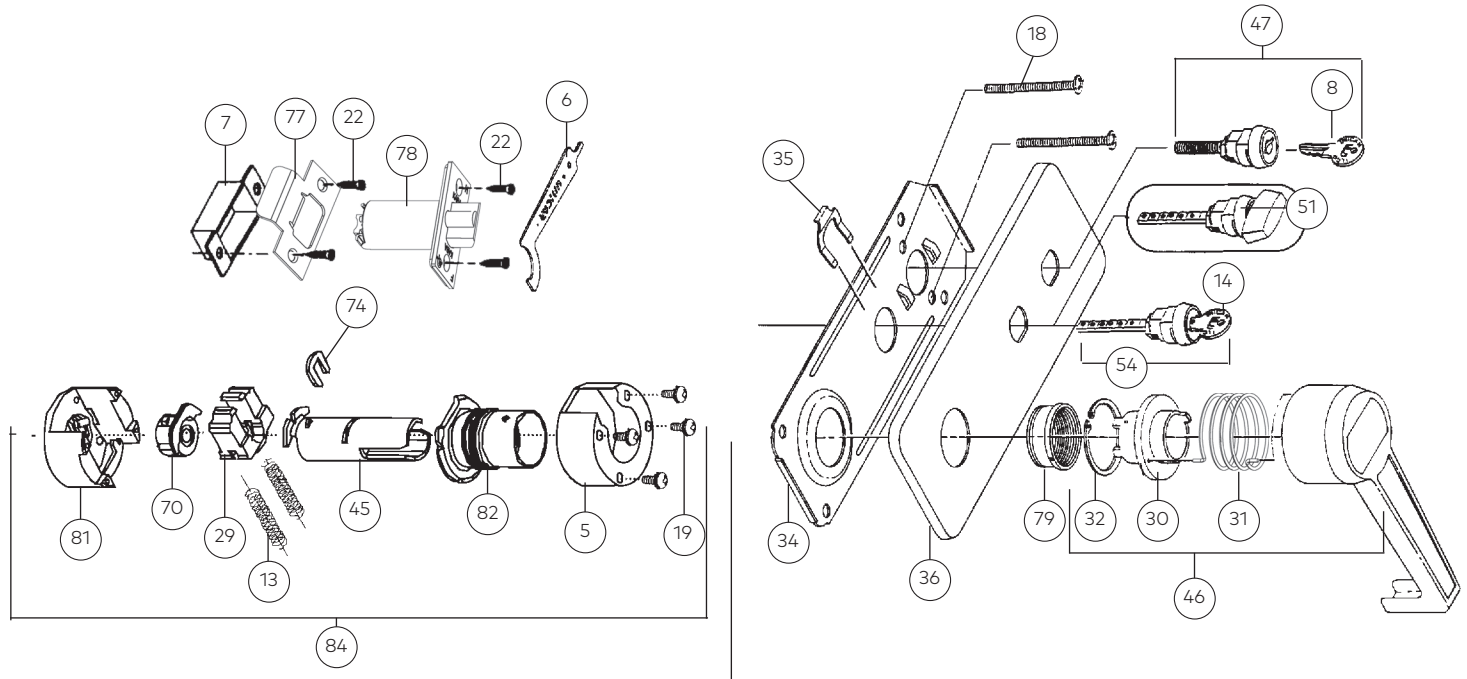
Key Override Models

Best & Equivalents Corbin/
Russwin/Sargent

Note: Older model locks used knob insert (27, 31, 48) to the right. Current production is more represented by model on left.

Simplex

L1000 Series



See Page 6 for
How to Order instructions

L1000 Series Service Kit

Left Hand Kit Shown



LH Clutch Assembly



Fixed Sleeve



Combination Chamber



K/O Drive Shaft



Standard Drive Shaft



Chamber Shaft Bushing



Lever Return Spring



LH Stop Plate

Item	Part Number	List Price
L1000 Series Service Kit (Left Hand)	203038-000-01	\$221.00
<ul style="list-style-type: none"> • LH Clutch Assembly • Fixed Sleeve • Combination Chamber • K/O Drive Shaft • Standard Drive Shaft • Lever Return Spring • Chamber Shaft Bushing • LH Stop Plate 		

Item	Part Number	List Price
L1000 Series Service Kit (Right Hand)	203037-000-01	\$221.00
<ul style="list-style-type: none"> • RH Clutch Assembly • Fixed Sleeve • Combination Chamber • K/O Drive Shaft • Standard Drive Shaft • Lever Return Spring • Chamber Shaft Bushing • RH Stop Plate 		



Simplex

L1000 Series

Item	Qty/Lock	Description	Finish	Part Number	List Price
1	1	Combination Chamber (M-63/M-56) (Old # 201764-000-0)		7436600001	\$129.00
2	5	Pushbuttons (10 Pack)	Black	20002410610	\$19.00
		Pushbuttons (10 Pack)	Silver	20002410910	\$19.00
3	1	Bushing, Shaft (5 Pack)		20002600005	\$18.00
5	1	Cover for Shoe Housing		20127700001	\$18.00
6	1	Installation Wrench (spanner wrench) - Code Change Tool Kit (Includes 1 ea. #6, #8)		20127800001	\$17.00
7	1	Strike Box		20128700001	\$16.00
8	1	DF-59 Key - Code Change Tool Kit (Includes 1 ea. #6, #8)		20127800001	\$17.00
9	1	Combination Change Stud - Combination Change Actuator Kit (Includes 1 ea. #9, #10, #12, #16)		20133600001	\$19.00
10	1	Combination Change Sleeve - Combination Change Actuator Kit (Includes 1 ea. #9, #10, #12, #16)		20133600001	\$19.00
11	1	Front Knob Retainer Clip (5 Pack)		20134300005	\$18.00
12	1	Combination Change Sleeve Washer - Combination Change Actuator Kit (Includes 1 ea. #9, #10, #12, #16)		20133600001	\$19.00
13	2	Shoe Spring (For Cylindrical Drive Unit) (10 Pack)		20136600010	\$17.00
14	1	Key DF-5 (For Passage Set) (2 Pack)		20142200002	\$13.00
15	1	Shaft Self-Aligning Bushing (For Models 1021 & 1041)		20142500001	\$17.00
16	1	Retainer Ring 3/8" I.D. (10 Pack)		20144000010	\$19.00
18	2	Screw, 8-32 x 2 1/2" (For Mounting) (Includes 1 ea. #23, #76; 2 ea. #18, #83; 4 ea. #20, 21, #22, #75)	Satin Chrome	20421026D01	\$18.00
		Screw, 8-32 x 2 1/2" (For Mounting) (Includes 1 ea. #23, #76; 2 ea. #18, #83; 4 ea. #20, 21, #22, #75)	Bright Brass	2042100301	\$18.00
		Screw, 8-32 x 2 1/2" (For Mounting) (Includes 1 ea. #23, #76; 2 ea. #18, #83; 4 ea. #20, 21, #22, #75)	Antique Brass	2042100501	\$18.00
19	4	Sems Screw, Phillips 6-32 x 1/4" R.H.M.S. (For Shoe Housing Cover) (10 Pack)		20144600010	\$13.00
20	4	Sems Screw, Phillips 8-32 x 7/16" R.H.M.S. (For Spacer) (Includes 1 ea. #23, #76; 2 ea. #18, #83; 4 ea. #20, 21, #22, #75)	Satin Chrome	20421026D01	\$18.00
		Sems Screw, Phillips 8-32 x 7/16" R.H.M.S. (For Spacer) (Includes 1 ea. #23, #76; 2 ea. #18, #83; 4 ea. #20, 21, #22, #75)	Bright Brass	2042100301	\$18.00
		Sems Screw, Phillips 8-32 x 7/16" R.H.M.S. (For Spacer) (Includes 1 ea. #23, #76; 2 ea. #18, #83; 4 ea. #20, 21, #22, #75)	Antique Brass	2042100501	\$18.00
21	4	Sems Screw, Phillips 8-32 x 5/16" R.H.M.S. (For Spacer) (Includes 1 ea. #23, #76; 2 ea. #18, #83; 4 ea. #20, 21, #22, #75)	Satin Chrome	20421026D01	\$18.00
		Sems Screw, Phillips 8-32 x 5/16" R.H.M.S. (For Spacer) (Includes 1 ea. #23, #76; 2 ea. #18, #83; 4 ea. #20, 21, #22, #75)	Bright Brass	2042100301	\$18.00
		Sems Screw, Phillips 8-32 x 5/16" R.H.M.S. (For Spacer) (Includes 1 ea. #23, #76; 2 ea. #18, #83; 4 ea. #20, 21, #22, #75)	Antique Brass	2042100501	\$18.00
22	4	Combination Screw, Phillips 8-32 x 3/4" (For latch and strike plate) (10 Pack)	Satin Chrome	20156526D10	\$18.00
		Combination Screw, Phillips 8-32 x 3/4" (For latch and strike plate) (10 Pack)	Bright Brass	2015650310	\$18.00
		Combination Screw, Phillips 8-32 x 3/4" (For latch and strike plate) (10 Pack)	Antique Brass	2015650510	\$18.00
23	1	Rubber Bumper (For Door Frame) (Self Adhesive Strip of 4) (5 Pack)		20156800005	\$18.00
24	1	Spacer for Medeco 5 - 6 pin Medeco/ASSA		20156900001	\$25.00

*When ordering an outside lever assembly for older locks, it may be necessary to order a respective outside drive sleeve assembly. (See Conversion Assemblies)

Simplex

L1000 Series



Item	Qty/Lock	Description	Finish	Part Number	List Price
25	1	Front Lock Housing	Satin Chrome	20170026D01	\$118.00
		Front Lock Housing	Bright Chrome	20170002601	\$118.00
		Front Lock Housing	Bright Brass	2017000301	\$118.00
		Front Lock Housing	Antique Brass	2017000501	\$118.00
26	1	Clutch Backing Plate		20170800001	\$17.00
27	1	Double Wave Spring - Clutch Spring Kit (Includes 1 ea. #27, #40)		20176800001	\$18.00
28	1	Guide Bracket		20172100001	\$16.00
29	1	Retractor Shoe		20172300001	\$18.00
30	1	Inside Lever Fixed Sleeve - RH - Fixed Sleeve Kit (Includes 1 ea. #30, #31,#32)		20172700001	\$58.00
		Inside Lever Fixed Sleeve - LH- Fixed Sleeve Kit (Includes 1 ea. #30, #31,#32)		20173300001	\$58.00
31	1	Inside Lever Coil Return Spring - RH		20173000001	\$18.00
		Inside Lever Coil Return Spring - LH		20173200001	\$18.00
32	1	Inside Lever Fixed Sleeve Retainer Clip		20173400001	\$13.00
33	1	Unified Trim Plate - Standard (Not Shown on Exploded View)	Satin Chrome	20173626D01	\$50.00
		Unified Trim Plate - Standard (Not Shown on Exploded View)	Bright Chrome	20173602601	\$50.00
		Unified Trim Plate - Standard (Not Shown on Exploded View)	Bright Brass	2017360301	\$50.00
		Unified Trim Plate - Standard (Not Shown on Exploded View)	Antique Brass	2017360501	\$50.00
34	1	Reinforcing Plate		20173800001	\$19.00
35	1	Passage Spring Clip (10 Pack)		20174000010	\$18.00
36	1	Unified Trim Plate - Passage Set Model	Satin Chrome	20174526D01	\$50.00
		Unified Trim Plate - Passage Set Model	Bright Chrome	20174502601	\$50.00
		Unified Trim Plate - Passage Set Model	Bright Brass	2017450301	\$50.00
		Unified Trim Plate - Passage Set Model	Antique Brass	2017450501	\$50.00
38	1	Outside Lever Return Spring - Stop Plate Kit - RH (Includes 1 ea. #38, #43)		20177300001	\$24.00
		Outside Lever Return Spring - Stop Plate Kit - LH (Includes 1 ea. #38, #43)		20177400001	\$24.00
40	1	Balance Spring - Clutch Spring Kit (Includes 1 ea. #27, #40)		20176800001	\$18.00
41	1	Outside Lever Handle Assembly Non Key Override* - Right Handed	Satin Chrome	20177026D01	\$154.00
		Outside Lever Handle Assembly Non Key Override* - Right Handed	Bright Chrome	20177002601	\$154.00
		Outside Lever Handle Assembly Non Key Override* - Right Handed	Bright Brass	2017700301	\$154.00
		Outside Lever Handle Assembly Non Key Override* - Right Handed	Antique Brass	2017700501	\$154.00
		Outside Lever Handle Assembly Non Key Override* - Left Handed	Satin Chrome	20177126D01	\$154.00
		Outside Lever Handle Assembly Non Key Override* - Left Handed	Bright Chrome	20177102601	\$154.00
		Outside Lever Handle Assembly Non Key Override* - Left Handed	Bright Brass	2017710301	\$154.00
Outside Lever Handle Assembly Non Key Override* - Left Handed	Antique Brass	2017710501	\$154.00		
42	1	Outside Drive Sleeve Assembly Non Key Override (Includes 1 ea. #11, #42)		20177200001	\$39.00
43	1	Stop Plate - Stop Plate Kit - RH (Includes 1 ea. #38, #43)		20177300001	\$24.00
		Stop Plate - Stop Plate Kit - LH (Includes 1 ea. #38, #43)		20177400001	\$24.00
44	1	Clutch Cover Assembly - Right Handed		20178000001	\$19.00
		Clutch Cover Assembly - Left Handed		20178100001	\$19.00
45	1	Inside Drive Sleeve Assembly (Includes 1 ea. #45, #74)		20178200001	\$25.00
46	1	Inside Lever - Inside Lever Kit - RH (Includes 1 ea. #30, #31, #32, #46)	Satin Chrome	20178526D01	\$201.00
		Inside Lever - Inside Lever Kit - RH (Includes 1 ea. #30, #31, #32, #46)	Bright Chrome	20178502601	\$201.00

*When ordering an outside lever assembly for older locks, it may be necessary to order a respective outside drive sleeve assembly. (See Conversion Assemblies)



Simplex

L1000 Series

Item	Qty/Lock	Description	Finish	Part Number	List Price
46	1	Inside Lever - Inside Lever Kit - RH (Includes 1 ea. #30, #31, #32, #46)	Bright Brass	2017850301	\$201.00
		Inside Lever - Inside Lever Kit - RH (Includes 1 ea. #30, #31, #32, #46)	Antique Brass	2017850501	\$201.00
		Inside Lever - Inside Lever Kit - LH (Includes 1 ea. #30, #31, #32, #46)	Satin Chrome	20178626D01	\$201.00
		Inside Lever - Inside Lever Kit - LH (Includes 1 ea. #30, #31, #32, #46)	Bright Chrome	20178602601	\$201.00
		Inside Lever - Inside Lever Kit - LH (Includes 1 ea. #30, #31, #32, #46)	Bright Brass	2017860301	\$201.00
		Inside Lever - Inside Lever Kit - LH (Includes 1 ea. #30, #31, #32, #46)	Antique Brass	2017860501	\$201.00
47	1	Combination Change Plug Assembly with (2) DF59 keys (Includes 2 ea. #8)	Satin Chrome	20178726D01	\$29.00
		Combination Change Plug Assembly with (2) DF59 keys (Includes 2 ea. #8)	Bright Brass	2017870301	\$29.00
		Combination Change Plug Assembly with (2) DF59 keys (Includes 2 ea. #8)	Antique Brass	2017870501	\$29.00
48	1	Clutch Assembly - RH (Includes 1 ea. #27, #40, #48)		20178800001	\$80.00
		Clutch Assembly - LH (Includes 1 ea. #27, #40, #48)		20178900001	\$80.00
49	1	Best Outside Lever Assembly* (Also fits Falcon / Arrow / Eagle & KSP / Lloyd Matheson Removable Core) - RH	Satin Chrome	20179026D01	\$236.00
		Best Outside Lever Assembly* (Also fits Falcon / Arrow / Eagle & KSP / Lloyd Matheson Removable Core) - RH	Bright Brass	2017900301	\$236.00
		Best Outside Lever Assembly* (Also fits Falcon / Arrow / Eagle & KSP / Lloyd Matheson Removable Core) - LH	Satin Chrome	20179126D01	\$236.00
		Best Outside Lever Assembly* (Also fits Falcon / Arrow / Eagle & KSP / Lloyd Matheson Removable Core) - LH	Bright Brass	2017910301	\$236.00
		Best Outside Lever Assembly* (Also fits Falcon / Arrow / Eagle & KSP / Lloyd Matheson Removable Core) - LH	Antique Brass	2017910501	\$236.00
50	1	Best Outside Drive Sleeve Assembly (Also fits Falcon / Arrow / Eagle & KSP / Lloyd Matheson Removable Core) (Includes 1 ea. #11, #50)		20179200001	\$53.00
51	1	Passage Set Thumbturn Plug Assembly (Includes 1 ea. #35, #51)	Satin Chrome	20180726D01	\$29.00
		Passage Set Thumbturn Plug Assembly (Includes 1 ea. #35, #51)	Bright Brass	2018070301	\$29.00
		Passage Set Thumbturn Plug Assembly (Includes 1 ea. #35, #51)	Antique Brass	2018070501	\$29.00
52	1	Drive Shaft Assembly for Non Key Override (Standard)		20181200001	\$25.00
53	1	Drive Shaft Assembly for Key Override		20181300001	\$31.00
54	1	Passage Set Key Turn Plug Assembly with (2) DF-5 keys	Satin Chrome	20181826D01	\$29.00
		Passage Set Key Turn Plug Assembly with (2) DF-5 keys	Bright Brass	2018180301	\$29.00
		Passage Set Key Turn Plug Assembly with (2) DF-5 keys	Antique Brass	2018180501	\$29.00
55	1	Chamber Release Cam - Passage Kit (Includes 1 ea. #16, #55, #56) (For Passage Set)		20182500001	\$34.00
56	1	Chamber Release - Passage Kit (Includes 1 ea. #16, #55, #56) (For Passage Set)		20182500001	\$34.00
57	1	Schlage Outside Lever Assembly - RH	Satin Chrome	20182926D01	\$236.00
		Schlage Outside Lever Assembly - RH	Bright Chrome	20182902601	\$236.00
		Schlage Outside Lever Assembly - RH	Bright Brass	2018290301	\$236.00

*When ordering an outside lever assembly for older locks, it may be necessary to order a respective outside drive sleeve assembly.
(See Conversion Assemblies)

Simplex

L1000 Series



Item	Qty/Lock	Description	Finish	Part Number	List Price
57	1	Schlage Outside Lever Assembly - RH	Antique Brass	2018290501	\$236.00
		Schlage Outside Lever Assembly - LH	Satin Chrome	20183026D01	\$236.00
		Schlage Outside Lever Assembly - LH	Bright Chrome	20183002601	\$236.00
		Schlage Outside Lever Assembly - LH	Bright Brass	2018300301	\$236.00
		Schlage Outside Lever Assembly - LH	Antique Brass	2018300501	\$236.00
58	1	Sargent Outside Drive Sleeve Assembly (Includes 1 ea. #11, #58)		20183100001	\$68.00
59	1	Corbin / Russwin Outside Drive Sleeve Assembly (Includes 1 ea. #11, #59)		20183200001	\$68.00
60	1	Schlage Outside Drive Sleeve Assembly (Includes 1 ea. #11, #60)		20184000001	\$68.00
61	1	Medeco / ASSA / Yale Outside Drive Sleeve Assembly (Old ASSA #204010) (Includes 1 ea. #11, #61)		20184200001	\$68.00
62	1	Sargent Outside Lever Assembly - RH	Satin Chrome	20192526D01	\$236.00
		Sargent Outside Lever Assembly - RH	Bright Chrome	20192502601	\$236.00
		Sargent Outside Lever Assembly - RH	Bright Brass	2019250301	\$236.00
		Sargent Outside Lever Assembly - RH	Antique Brass	2019250501	\$236.00
		Sargent Outside Lever Assembly - LH	Satin Chrome	20192626D01	\$236.00
		Sargent Outside Lever Assembly - LH	Bright Chrome	20192602601	\$236.00
		Sargent Outside Lever Assembly - LH	Bright Brass	2019260301	\$236.00
		Sargent Outside Lever Assembly - LH	Antique Brass	2019260501	\$236.00
63	1	Medeco / ASSA / Yale Outside Lever Assembly (Old #s for ASSA 204008 RH, 204009 LH) RH	Satin Chrome	20192726D01	\$236.00
		Medeco / ASSA / Yale Outside Lever Assembly (Old #s for ASSA 204008 RH, 204009 LH) RH	Bright Chrome	20192702601	\$236.00
		Medeco / ASSA / Yale Outside Lever Assembly (Old #s for ASSA 204008 RH, 204009 LH) RH	Bright Brass	2019270301	\$236.00
		Medeco / ASSA / Yale Outside Lever Assembly (Old #s for ASSA 204008 RH, 204009 LH) RH	Antique Brass	2019270501	\$236.00
		Medeco / ASSA / Yale Outside Lever Assembly (Old #s for ASSA 204008 RH, 204009 LH) LH	Satin Chrome	20192826D01	\$236.00
		Medeco / ASSA / Yale Outside Lever Assembly (Old #s for ASSA 204008 RH, 204009 LH) LH	Bright Chrome	20192802601	\$236.00
		Medeco / ASSA / Yale Outside Lever Assembly (Old #s for ASSA 204008 RH, 204009 LH) LH	Bright Brass	2019280301	\$236.00
		Medeco / ASSA / Yale Outside Lever Assembly (Old #s for ASSA 204008 RH, 204009 LH) LH	Antique Brass	2019280501	\$236.00
64	1	Corbin / Russwin Outside Lever Assembly - RH	Satin Chrome	20192926D01	\$236.00
		Corbin / Russwin Outside Lever Assembly - RH	Bright Chrome	20192902601	\$236.00
		Corbin / Russwin Outside Lever Assembly - RH	Bright Brass	2019290301	\$236.00
		Corbin / Russwin Outside Lever Assembly - RH	Antique Brass	2019290501	\$236.00
		Corbin / Russwin Outside Lever Assembly - LH	Satin Chrome	20193026D01	\$236.00
		Corbin / Russwin Outside Lever Assembly - LH	Bright Chrome	20193002601	\$236.00
		Corbin / Russwin Outside Lever Assembly - LH	Bright Brass	2019300301	\$236.00
		Corbin / Russwin Outside Lever Assembly - LH	Antique Brass	2019300501	\$236.00
65	5	Sems Screw, Phillips 6-32 x 7/16" (11 mm) R.H.M.S. (For clutch cover, clutch backing plate, and guide bracket) (Old # 201448-022-10) (Includes 10 ea. #65, #66, #67) Screw Pack (10 ea. 6-32 x 3/8", 5/16", 7/16")		6477600001	\$19.00
66	2	Sems Screw, Phillips 6-32 x 5/16" (8 mm) R.H.M.S. (For comb. chamber) (Old # 201447-022-10) (Includes 10 ea. #65, #66, #67) Screw Pack (10 ea. 6-32 x 3/8", 5/16", 7/16")		6477600001	\$19.00

*When ordering an outside lever assembly for older locks, it may be necessary to order a respective outside drive sleeve assembly. (See Conversion Assemblies)



Simplex

L1000 Series

Item	Qty/Lock	Description	Finish	Part Number	List Price
67	6	Screw Phillips 6-32 x 3/8" F.H.M.S. (For Back Plate) (Old # 201444-022-10) (Includes 10 ea. #65, #66, #67) Screw Pack (10 ea. 6-32 x 3/8", 5/16", 7/16")		6477600001	\$19.00
69	1	ASSA Outside Drive Sleeve Assembly (Includes 1 ea. #11, #69)		20401000001	\$68.00
70	1	Drive Insert		20401500001	\$35.00
74	1	Inside Knob Retainer Clip (Old # 201344) (5 Pack)		20412000005	\$18.00
75	4	Sems Screw, Phillips 8-32 x 5/16" R.H.M.S. (For spacer) (Old # 201449) (Includes 1 ea. #23, #76; 2 ea. #18, #83; 4 ea. #20, #21, #22, #75)	Satin Chrome	20421026D01	\$18.00
		Sems Screw, Phillips 8-32 x 5/16" R.H.M.S. (For spacer) (Old # 201449) (Includes 1 ea. #23, #76; 2 ea. #18, #83; 4 ea. #20, #21, #22, #75)	Bright Brass	2042100301	\$18.00
		Sems Screw, Phillips 8-32 x 5/16" R.H.M.S. (For spacer) (Old # 201449) (Includes 1 ea. #23, #76; 2 ea. #18, #83; 4 ea. #20, #21, #22, #75)	Antique Brass	2042100501	\$18.00
76	1	Cross Pin .100" (2.5 mm) x .500 (1.27 mm) long (Includes 1 ea. #23, #76; 2 ea. #18, #83; 4 ea. #20, #21, #22, #75)	Satin Chrome	20421026D01	\$18.00
		Cross Pin .100" (2.5 mm) x .500 (1.27 mm) long (Includes 1 ea. #23, #76; 2 ea. #18, #83; 4 ea. #20, #21, #22, #75)	Bright Brass	2042100301	\$18.00
		Cross Pin .100" (2.5 mm) x .500 (1.27 mm) long (Includes 1 ea. #23, #76; 2 ea. #18, #83; 4 ea. #20, #21, #22, #75)	Antique Brass	2042100501	\$18.00
77	1	Standard "T" Strike Plate (Old # 201288 or 204167)	Satin Chrome	20422726D01	\$19.00
		Standard "T" Strike Plate (Old # 201288 or 204167)	Bright Brass	2042270301	\$19.00
		Standard "T" Strike Plate (Old # 201288 or 204167)	Antique Brass	2042270501	\$18.00
		Standard "T" Strike Plate (Old # 201288 or 204167)	Bright Chrome	20422702601	\$18.00
		ASA Strike (For 4 7/8" (105 mm) long cutout) (Old # 201413 or 1000-15-26D)	Satin Chrome	20411926D01	\$21.00
		ASA Strike (For 4 7/8" (105 mm) long cutout) (Old # 201413 or 1000-15-03)	Bright Brass	2041190301	\$21.00
		ASA Strike (For 4 7/8" (105 mm) long cutout) (Old # 201413 or 1000-15-05)	Antique Brass	2041190501	\$19.00
78	1	1/2" (13 mm) Floating Front Throw Latch 2 3/4" (70 mm) Backset	Satin Chrome	20416826D01	\$60.00
		1/2" (13 mm) Floating Front Throw Latch 2 3/4" (70 mm) Backset	Bright Brass	2041680301	\$60.00
		1/2" (13 mm) Floating Front Throw Latch 2 3/4" (70 mm) Backset	Antique Brass	2041680501	\$57.00
		3/4" (19mm) Brass Latch - carries 3-hour UL/ULC fire rating for "A" labeled doors. 2 3/4" (70 mm) backset. Beveled front.	Satin Chrome	20114426D01	\$100.00
		3/4" (19mm) Brass Latch - carries 3-hour UL/ULC fire rating for "A" labeled doors. 2 3/4" (70 mm) backset. Beveled front.	Bright Brass	2011440301	\$100.00
		3/4" (19mm) Brass Latch - carries 3-hour UL/ULC fire rating for "A" labeled doors. 2 3/4" (70 mm) backset. Beveled front.	Antique Brass	2011440501	\$95.00
		Latch 1/2" Floating Face, 2 3/8" Backset - 3 Hour Fire Rated (Includes Screws)	Satin Chrome	7518526D01	\$60.00
		Latch 1/2" Floating Face, 2 3/8" Backset - 3 Hour Fire Rated (Includes Screws)	Bright Brass	751850301	\$60.00
		Latch 1/2" Floating Face, 2 3/8" Backset - 3 Hour Fire Rated (Includes Screws)	Antique Brass	751850501	\$60.00
79	1	Thread Ring	Satin Chrome	20416926D01	\$19.00
		Thread Ring	Bright Chrome	20416902601	\$19.00
		Thread Ring	Bright Brass	2041690301	\$19.00
		Thread Ring	Antique Brass	2041690501	\$19.00
81	1	Shoe Retainer and Bridge Assembly		20419900001	\$55.00

*When ordering an outside lever assembly for older locks, it may be necessary to order a respective outside drive sleeve assembly.
(See Conversion Assemblies)

Simplex

L1000 Series



Item	Qty/Lock	Description	Finish	Part Number	List Price
82	1	Shoe Retainer Cap Assembly	Satin Chrome	20420026D01	\$47.00
		Shoe Retainer Cap Assembly	Bright Chrome	20420002601	\$47.00
		Shoe Retainer Cap Assembly	Bright Brass	2042000301	\$47.00
		Shoe Retainer Cap Assembly	Antique Brass	2042000501	\$47.00
83	1	1/4" Spacer, Door Thickness (Old # 201449) (Includes 1 ea. #23, #76; 2 ea. #18, #83; 4 ea. #20, #21, #22, #75)	Satin Chrome	20421026D01	\$18.00
		1/4" Spacer, Door Thickness (Old # 201449) (Includes 1 ea. #23, #76; 2 ea. #18, #83; 4 ea. #20, #21, #22, #75)	Bright Brass	2042100301	\$18.00
		1/4" Spacer, Door Thickness (Old # 201449) (Includes 1 ea. #23, #76; 2 ea. #18, #83; 4 ea. #20, #21, #22, #75)	Antique Brass	2042100501	\$18.00
84	1	Cylindrical Drive Unit Assembly (Includes 1 ea. #5, #29, #45, #70, #74, #81, #82; 2 ea. #13; 4 ea. #19)	Satin Chrome	20420226D01	\$148.00
		Cylindrical Drive Unit Assembly (Includes 1 ea. #5, #29, #45, #70, #74, #81, #82; 2 ea. #13; 4 ea. #19)	Bright Chrome	20420202601	\$148.00
		Cylindrical Drive Unit Assembly (Includes 1 ea. #5, #29, #45, #70, #74, #81, #82; 2 ea. #13; 4 ea. #19)	Bright Brass	2042020301	\$148.00
		Cylindrical Drive Unit Assembly (Includes 1 ea. #5, #29, #45, #70, #74, #81, #82; 2 ea. #13; 4 ea. #19)	Antique Brass	2042020501	\$148.00
85	1	Back Plate Assembly (Includes 1 ea. #73, #83, #84; 4 ea. #20) - LH	Satin Chrome	20420426D01	\$172.00
		Back Plate Assembly (Includes 1 ea. #73, #83, #84; 4 ea. #20) - LH	Bright Brass	2042040301	\$172.00
		Back Plate Assembly (Includes 1 ea. #73, #83, #84; 4 ea. #20) - LH	Antique Brass	2042040501	\$172.00
		Back Plate Assembly (Includes 1 ea. #73, #83, #84; 4 ea. #20) - RH	Satin Chrome	20420526D01	\$172.00
		Back Plate Assembly (Includes 1 ea. #73, #83, #84; 4 ea. #20) - RH	Bright Brass	2042050301	\$172.00
		Back Plate Assembly (Includes 1 ea. #73, #83, #84; 4 ea. #20) - RH	Antique Brass	2042050501	\$172.00
86	1	Screw Pack (Includes 1 ea. #23, #76; 2 ea. #18, #83; 4 ea. #20, #21, #22, #75) (Not shown in exploded view)	Satin Chrome	20421026D01	\$18.00
		Screw Pack (Includes 1 ea. #23, #76; 2 ea. #18, #83; 4 ea. #20, #21, #22, #75) (Not shown in exploded view)	Bright Brass	2042100301	\$18.00
		Screw Pack (Includes 1 ea. #23, #76; 2 ea. #18, #83; 4 ea. #20, #21, #22, #75) (Not shown in exploded view)	Antique Brass	2042100501	\$18.00
87	1	Installation Hardware Kit (Includes 1 ea. #6, #7, #47, #77, #79, #86; 2 ea. #83) (Not shown in exploded view)	Satin Chrome	20421126D11	\$57.00
		Installation Hardware Kit (Includes 1 ea. #6, #7, #47, #77, #79, #86; 2 ea. #83) (Not shown in exploded view)	Bright Brass	2042110311	\$57.00
		Installation Hardware Kit (Includes 1 ea. #6, #7, #47, #77, #79, #86; 2 ea. #83) (Not shown in exploded view)	Antique Brass	2042110511	\$57.00

Simplex EE1000 Series

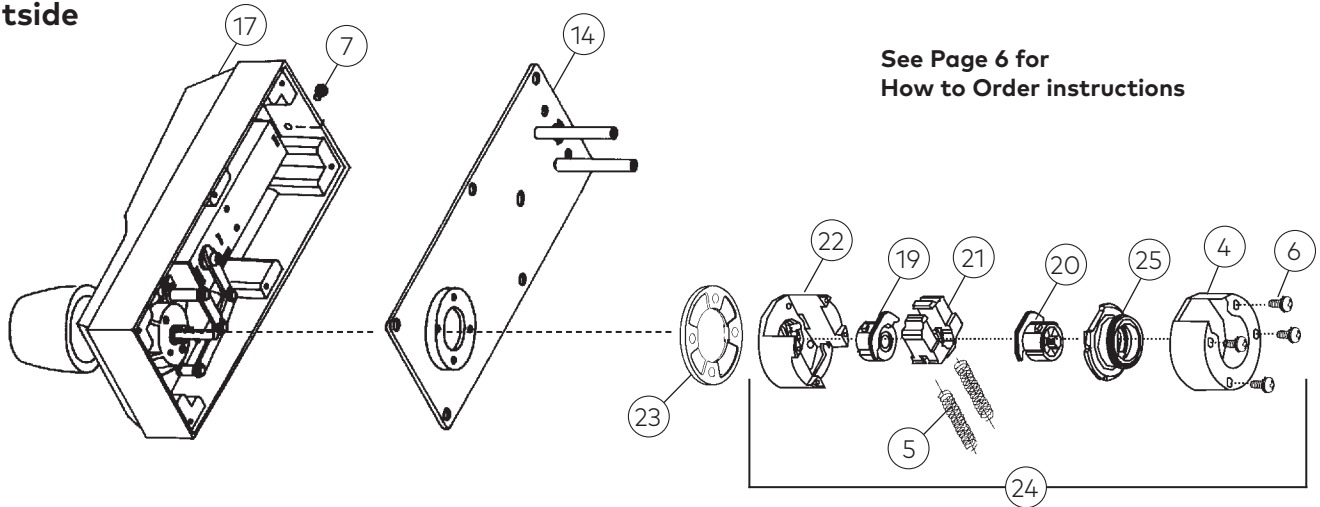




Simplex

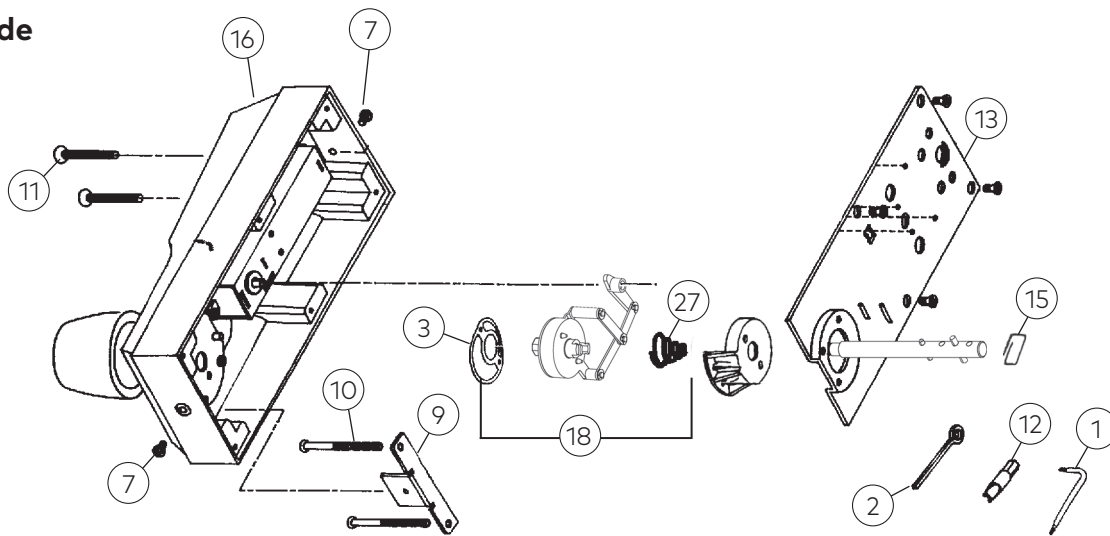
EE1000 Series

Outside



See Page 6 for
How to Order instructions

Inside



EE1000 Series Service Kit



Clutch Assembly



Knob Return Spring



Combination Chamber



K/O Drive Shaft



Standard Drive Shaft



Chamber Shaft Bushing



Stop Plate



Shaft Retainer Clip

Item	Part Number	List Price
EE1000 Series Service Kit	203036-000-01	\$172.00
• Chamber Shaft Bushing		
• Clutch Assembly		
• Combination Chamber		
• Drive Shaft (No Key Override)		
• Drive Shaft (Key Override)		
• Drive Shaft Retainer Clip		
• Return Spring		
• Stop Plate		

Shaft Retainer Clip (must be used)
* Requires two (2) kits to service both sides of lock

Simplex EE1000 Series



Item	Qty/Lock	Description	Finish	Part Number	List Price
1	1	Torx Anti-Tamper Wrench - Code Change Tool/Screw Kit (Includes 1 ea. #1, #2, #7)	Satin Chrome	7454326D01	\$21.00
		Torx Anti-Tamper Wrench - Code Change Tool/Screw Kit (Includes 1 ea. #1, #2, #7)	Bright Brass	745430301	\$21.00
2	1	Code Change Tool - Code Change Tool/Screw Kit (Includes 1 ea. #1, #2, #7)	Satin Chrome	7454326D01	\$21.00
		Code Change Tool - Code Change Tool/Screw Kit (Includes 1 ea. #1, #2, #7)	Bright Brass	745430301	\$21.00
3	1	Double Wave Spring - Clutch Spring Kit (Includes 1 ea. #3, #27)		20101600001	\$19.00
4	1	Cover for Shoe Housing		20127700001	\$19.00
5	2	Shoe Springs		20136600010	\$18.00
6	4	Sems screw Phillips 6-32 x 1/4" (11 mm) R.H.M.S. (for shoe housing cover)		20144600010	\$13.00
7	1	Combination Change Screw	Satin Chrome	20187126D05	\$21.00
		Combination Change Screw	Bright Brass	2018710305	\$21.00
		Combination Change Screw	Antique Brass	2018710505	\$21.00
8	1	Combination Change Bracket (For use on older models only)		20188200001	\$20.00
9	1	Lock Mounting Bracket		20190500001	\$32.00
10	2	Flat Phillips Head Screw 2 15/16" x 1/32"		20190600002	\$25.00
11	2	Spanner Screw - Tamper Proof		20190700010	\$39.00
12	1	2-#10 Size Insert Bit (fits #11)		20191100002	\$59.00
13	1	Inside Lock Cover Plate Assembly		20191200001	\$80.00
14	1	Outside Lock Cover Plate Assembly		20191600001	\$73.00
15	1	Retainer Clip (Drive Shaft)		20191800002	\$19.00
16	1	Housing (Inside)	Satin Chrome	20192326D01	\$140.00
		Housing (Inside)	Bright Brass	2019230301	\$140.00
		Housing (Inside)	Antique Brass	2019230501	\$140.00
17	1	Housing (Outside)	Satin Chrome	20192426D01	\$140.00
		Housing (Outside)	Bright Brass	2019240301	\$140.00
		Housing (Outside)	Antique Brass	2019240501	\$140.00
18	1	Clutch Assembly (EE1000 Only) (Includes 1 ea. #3, #18, #27)		20195600001	\$59.00
19	1	Drive Insert		20401500001	\$36.00
20	1	Drive Insert (EE1000 Only)		20416400001	\$20.00
21	1	Retractor Shoe		20416500001	\$23.00
22	1	Shoe Retainer and Bridge		20419900001	\$57.00
23	1	Spacer Kit (Includes 1 ea. #23, 4 ea. #6, various door thickness screws)	Satin Chrome	20421026D01	\$19.00
		Spacer Kit (Includes 1 ea. #23, 4 ea. #6, various door thickness screws)	Bright Brass	2042100301	\$19.00
		Spacer Kit (Includes 1 ea. #23, 4 ea. #6, various door thickness screws)	Antique Brass	2042100501	\$19.00
24	1	Cylindrical Drive Unit Assembly (Includes 1 ea. #19, #20, #21, #22, #25, #28; 2 ea. #5; 4 ea. #6)		20420800001	\$156.00
25	1	Shoe Retainer Cap Assembly		20420900001	\$48.00
26	1	Installation Hardware Kit (Not Shown in exploded view)	Bright Brass	2042120311	\$77.00
		Installation Hardware Kit (Not Shown in exploded view)	Antique Brass	2042120511	\$77.00
		Installation Hardware Kit (Not Shown in exploded view)	Satin Chrome	20421226D11	\$77.00
27	1	Clutch Balance Spring - Clutch Spring Kit (Includes 1 ea. #3, #27)		20101600001	\$19.00
Additional Kits & Accessories					
See pages 82-86					



Simplex

EE1000 Series

Notes

- See 1000 Series Exploded View and Replacement Parts for parts not shown or numbered on this page.
- Service kit can be used on both sides of lock
 - * (Requires (2) kits to service both sides)
- Lubriplate Aero grease is the "only" lubricant that should be used.
- * All EE1000 Series Locksets with a serial number consisting of three letters followed by five digits will no longer be using the code change bracket (Part No. 201882)

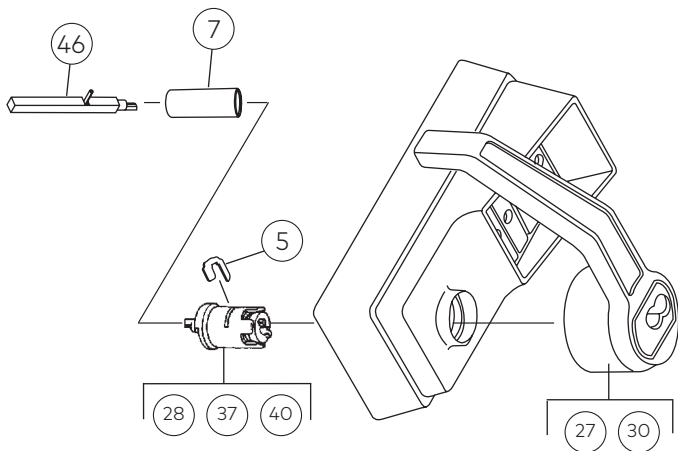
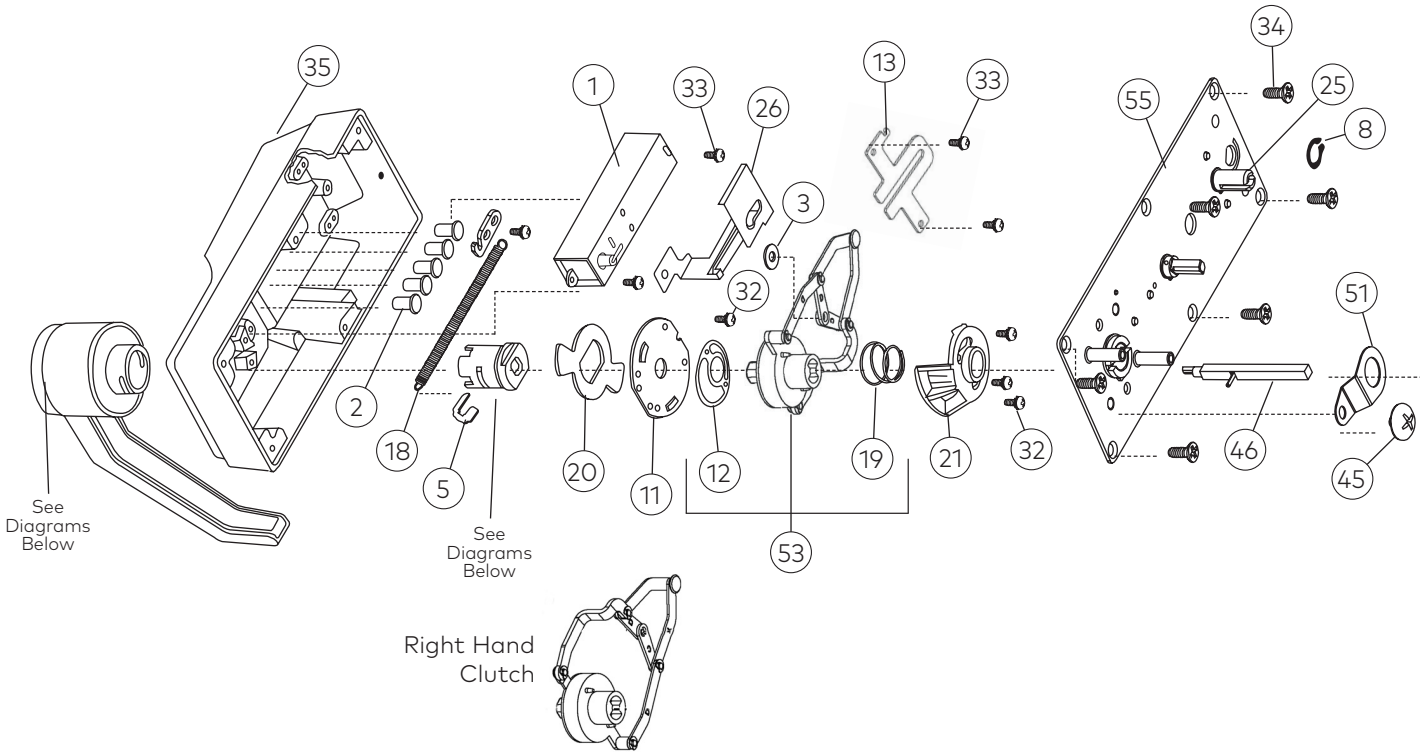
Parts availability may be limited on older component parts no longer used in production units.

Simplex 8100 Series



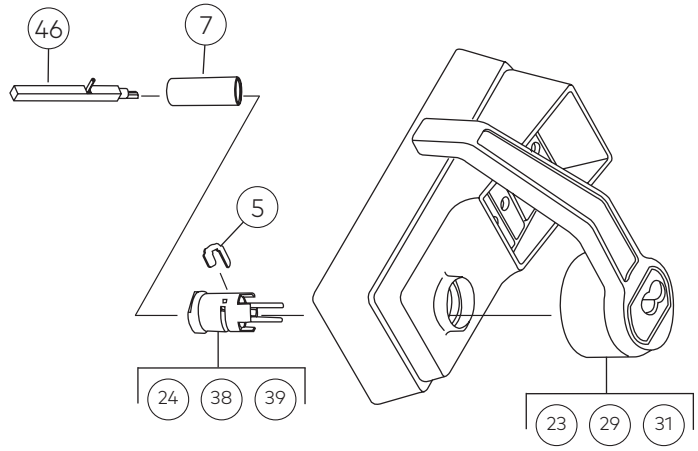
Simplex

8100 Series



Key Override Models

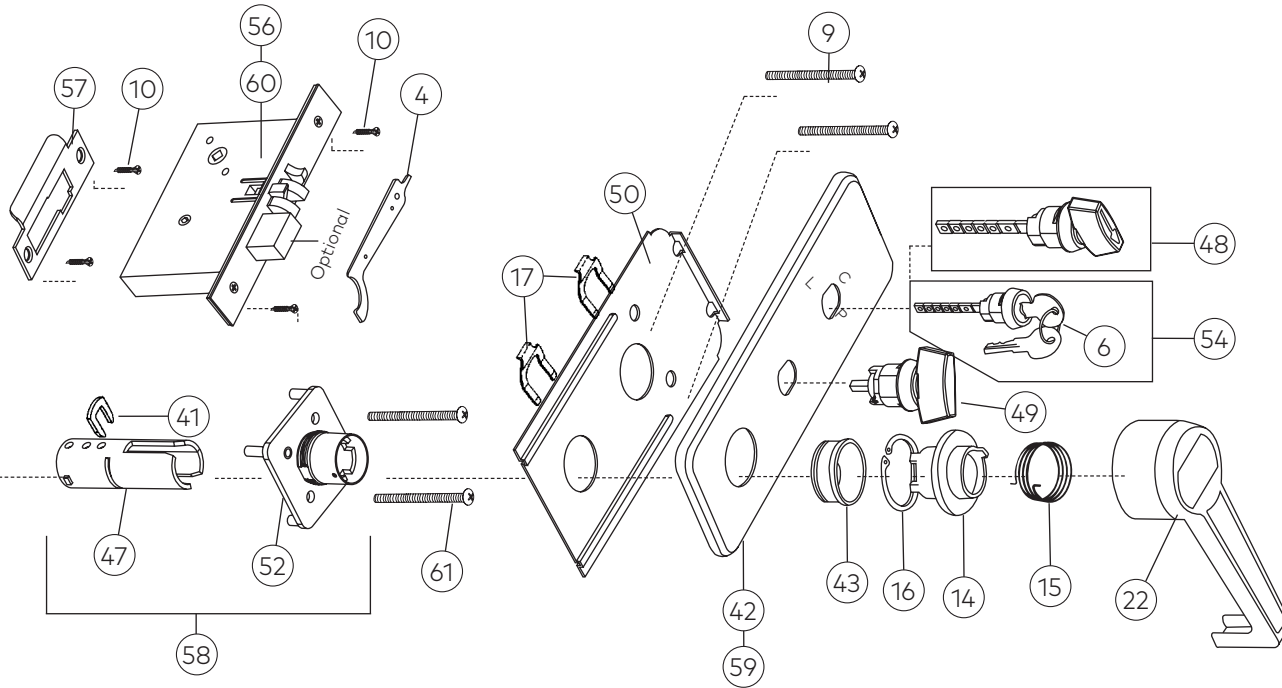
Medeco/ASSA/Yale/Schlage



Key Override Models

Best & Equivalents Corbin/
Russwin/Sargent

Simplex 8100 Series



See Page 6 for
How to Order instructions

Item	Qty/Lock	Description	Finish	Part Number	List Price
1	1	Combination Chamber (M-56/M-63)		7436600001	\$133.00
2	5	Pushbuttons (10 Pack)	Black	20002410610	\$20.00
		Pushbuttons (10 Pack)	Silver	20002410910	\$20.00
3	1	Bushing, Shaft (5 Pack)		20002600005	\$19.00
4	1	Installation Wrench (spanner wrench) - Code Change Tool Kit (Includes 1 ea. #4; 2 ea. DF-59 keys)		20127800001	\$17.00
5	1	Front Lever Retainer Clip (5 Pack)		20134300005	\$19.00
6	1	Key DF-5 (For Passage and Lockout) (2 Pack)		20142200002	\$13.00
7	1	Shaft Self-Aligning Bushing		20142500001	\$18.00
8	1	Retaining Ring 3/8" I.D. (10 Pack)		20144000010	\$19.00
9	2	Screw, 8-32 x 2 1/2" Kit (For Mounting) (Includes 2 ea. #9)	Satin Chrome	20421026D01	\$19.00
		Screw, 8-32 x 2 1/2" Kit (For Mounting) (Includes 2 ea. #9)	Bright Brass	2042100301	\$19.00
		Screw, 8-32 x 2 1/2" Kit (For Mounting) (Includes 2 ea. #9)	Antique Brass	2042100501	\$19.00
10	4	Combination Screw, Phillips 8-32 x 3/4" (10 Pack)	Satin Chrome	20156526D10	\$19.00
		Combination Screw, Phillips 8-32 x 3/4" (10 Pack)	Bright Brass	2015650310	\$19.00
		Combination Screw, Phillips 8-32 x 3/4" (10 Pack)	Antique Brass	2015650510	\$19.00
11	1	Clutch Backing Plate		20170800001	\$18.00
12	1	Wave Spring - Clutch Spring Kit (L1000 / 8100) (Includes 1 ea. #12, #19)		20176800001	\$19.00
13	1	Guide Bracket		20172100001	\$17.00



Simplex

8100 Series

Item	Qty/Lock	Description	Finish	Part Number	List Price
14	1	Inside Lever Fixed Sleeve - RH - Fixed Sleeve Kit (Includes 1 ea. #14, #15, #16)		20172700001	\$59.00
		Inside Lever Fixed Sleeve - LH - Fixed Sleeve Kit (Includes 1 ea. #14, #15, #16)		20173300001	\$59.00
15	1	Inside Lever Coil Return Spring - RH		20173000001	\$19.00
		Inside Lever Coil Return Spring - LH		20173200001	\$19.00
16	1	Inside Lever Fixed Sleeve Retainer Clip		20173400001	\$13.00
17	2	Passage Spring Clip (for passage and lockout) (10 Pack)		20174000010	\$19.00
18	1	Outside Lever Return Spring - Stop Plate Kit - RH (Includes 1 ea. #18, #20)		20177300001	\$24.00
		Outside Lever Return Spring - Stop Plate Kit - LH (Includes 1 ea. #18, #20)		20177400001	\$24.00
19	1	Clutch Balance Spring - Clutch Spring Kit (L1000/8100) (Includes 1 ea. #12, #19)		20176800001	\$19.00
20	1	Stop Plate Assembly - Stop Plate Kit - RH (Includes 1 ea. #18, #20)		20177300001	\$24.00
		Stop Plate Assembly - Stop Plate Kit - LH (Includes 1 ea. #18, #20)		20177400001	\$24.00
21	1	Clutch Cover Assembly - RH		20178000001	\$20.00
		Clutch Cover Assembly - LH		20178100001	\$20.00
22	1	Inside Lever Assembly (Includes 1 ea. #14, #15, #16, #22) - RH	Satin Chrome	20178526D01	\$201.00
		Inside Lever Assembly (Includes 1 ea. #14, #15, #16, #22) - RH	Bright Chrome	20178502601	\$201.00
		Inside Lever Assembly (Includes 1 ea. #14, #15, #16, #22) - RH	Bright Brass	2017850301	\$201.00
		Inside Lever Assembly (Includes 1 ea. #14, #15, #16, #22) - RH	Antique Brass	2017850501	\$201.00
		Inside Lever Assembly (Includes 1 ea. #14, #15, #16, #22) - LH	Satin Chrome	20178626D01	\$201.00
		Inside Lever Assembly (Includes 1 ea. #14, #15, #16, #22) - LH	Bright Chrome	20178602601	\$201.00
		Inside Lever Assembly (Includes 1 ea. #14, #15, #16, #22) - LH	Bright Brass	2017860301	\$201.00
		Inside Lever Assembly (Includes 1 ea. #14, #15, #16, #22) - LH	Antique Brass	2017860501	\$201.00
23	1	Best Outside Lever Assembly (Also fits Falcon / Arrow / Eagle & KSP / Lloyd Matheson) (Removable Core)	Satin Chrome	20179026D01	\$242.00
		Best Outside Lever Assembly (Also fits Falcon / Arrow / Eagle & KSP / Lloyd Matheson) (Removable Core)	Bright Chrome	20179002601	\$242.00
		Best Outside Lever Assembly (Also fits Falcon / Arrow / Eagle & KSP / Lloyd Matheson) (Removable Core) - RH	Bright Brass	2017900301	\$242.00
		Best Outside Lever Assembly (Also fits Falcon / Arrow / Eagle & KSP / Lloyd Matheson) (Removable Core) - RH	Antique Brass	2017900501	\$242.00
		Best Outside Lever Assembly (Also fits Falcon / Arrow / Eagle & KSP / Lloyd Matheson) (Removable Core) - LH	Satin Chrome	20179126D01	\$242.00
		Best Outside Lever Assembly (Also fits Falcon / Arrow / Eagle & KSP / Lloyd Matheson) (Removable Core) - LH	Bright Chrome	20179102601	\$242.00
		Best Outside Lever Assembly (Also fits Falcon / Arrow / Eagle & KSP / Lloyd Matheson) (Removable Core) - LH	Bright Brass	2017910301	\$242.00
		Best Outside Lever Assembly (Also fits Falcon / Arrow / Eagle & KSP / Lloyd Matheson) (Removable Core) - LH	Antique Brass	2017910501	\$242.00
24	1	Best Outside Drive Sleeve Assembly (Also fits Falcon / Arrow / Eagle & KSP / Lloyd Matheson) (Removable Core)		20179200001	\$56.00
25	1	Chamber Release Cam - Passage Kit (Passage, Lockout) (Includes 1 ea. #8, #25, #26)		20182500001	\$35.00
26	1	Chamber Release - Passage Kit (For Passage Set) (Includes 1 ea. #8, #25, #26)		20182500001	\$35.00

Simplex 8100 Series



Item	Qty/Lock	Description	Finish	Part Number	List Price
27	1	Schlage Outside Lever Assembly (Removable Core) - RH	Satin Chrome	20182926D01	\$242.00
		Schlage Outside Lever Assembly (Removable Core) - RH	Bright Chrome	20182902601	\$242.00
		Schlage Outside Lever Assembly (Removable Core) - RH	Bright Brass	2018290301	\$242.00
		Schlage Outside Lever Assembly (Removable Core) - RH	Antique Brass	2018290501	\$242.00
		Schlage Outside Lever Assembly (Removable Core) - LH	Satin Chrome	20183026D01	\$242.00
		Schlage Outside Lever Assembly (Removable Core) - LH	Bright Chrome	20183002601	\$242.00
		Schlage Outside Lever Assembly (Removable Core) - LH	Bright Brass	2018300301	\$242.00
		Schlage Outside Lever Assembly (Removable Core) - LH	Antique Brass	2018300501	\$242.00
28	1	Medeco / ASSA / Yale Outside Drive Sleeve Assembly (Removable Core) (Old # for ASSA 204010)		20184200001	\$70.00
29	1	Sargent Outside Lever Assembly (Removable Core) - RH	Satin Chrome	20192526D01	\$242.00
		Sargent Outside Lever Assembly (Removable Core) - RH	Bright Chrome	20192502601	\$242.00
		Sargent Outside Lever Assembly (Removable Core) - RH	Bright Brass	2019250301	\$242.00
		Sargent Outside Lever Assembly (Removable Core) - RH	Antique Brass	2019250501	\$242.00
		Sargent Outside Lever Assembly (Removable Core) - LH	Satin Chrome	20192626D01	\$242.00
		Sargent Outside Lever Assembly (Removable Core) - LH	Bright Chrome	20192602601	\$242.00
		Sargent Outside Lever Assembly (Removable Core) - LH	Bright Brass	2019260301	\$242.00
		Sargent Outside Lever Assembly (Removable Core) - LH	Antique Brass	2019260501	\$242.00
30	1	Medeco / ASSA / Yale Outside Lever Assembly (Removable Core) (Old # for ASSA 204008 LH, 204009 RH) - RH	Satin Chrome	20192726D01	\$242.00
		Medeco / ASSA / Yale Outside Lever Assembly (Removable Core) (Old # for ASSA 204008 LH, 204009 RH) - RH	Bright Chrome	20192702601	\$242.00
		Medeco / ASSA / Yale Outside Lever Assembly (Removable Core) (Old # for ASSA 204008 LH, 204009 RH) - RH	Bright Brass	2019270301	\$242.00
		Medeco / ASSA / Yale Outside Lever Assembly (Removable Core) (Old # for ASSA 204008 LH, 204009 RH) - RH	Antique Brass	2019270501	\$242.00
		Medeco / ASSA / Yale Outside Lever Assembly (Removable Core) (Old # for ASSA 204008 LH, 204009 RH) - LH	Satin Chrome	20192826D01	\$242.00
		Medeco / ASSA / Yale Outside Lever Assembly (Removable Core) (Old # for ASSA 204008 LH, 204009 RH) - LH	Bright Chrome	20192802601	\$242.00
		Medeco / ASSA / Yale Outside Lever Assembly (Removable Core) (Old # for ASSA 204008 LH, 204009 RH) - LH	Bright Brass	2019280301	\$242.00
		Medeco / ASSA / Yale Outside Lever Assembly (Removable Core) (Old # for ASSA 204008 LH, 204009 RH) - LH	Antique Brass	2019280501	\$242.00
31	1	Corbin / Russwin Outside Lever Assembly (Removable Core) - RH	Satin Chrome	20192926D01	\$242.00
		Corbin / Russwin Outside Lever Assembly (Removable Core) - RH	Bright Chrome	20192902601	\$242.00
		Corbin / Russwin Outside Lever Assembly (Removable Core) - RH	Bright Brass	2019290301	\$242.00
		Corbin / Russwin Outside Lever Assembly (Removable Core) - RH	Antique Brass	2019290501	\$242.00
		Corbin / Russwin Outside Lever Assembly (Removable Core) - LH	Satin Chrome	20193026D01	\$242.00
		Corbin / Russwin Outside Lever Assembly (Removable Core) - LH	Bright Chrome	20193002601	\$242.00
		Corbin / Russwin Outside Lever Assembly (Removable Core) - LH	Bright Brass	2019300301	\$242.00
		Corbin / Russwin Outside Lever Assembly (Removable Core) - LH	Antique Brass	2019300501	\$242.00
32	6	Sems Screw, Phillips 6-32 x 7/16" (11 mm) R.H.M.S. (Includes 10 ea. #32, #33, #34) (clutch cover, clutch backing plate and guide bracket) Screw Pack (10 ea. 6-32 x 3/8", 5/16", 7/16")		6477600001	\$20.00
33	2	Sems Screw, Phillips 6-32 x 5/16" (8 mm) R.H.M.S. (Includes 10 ea. #32, #33, #34) (chamber) Screw Pack (10 ea. 6-32 x 3/8", 5/16", 7/16")		6477600001	\$20.00
34	6	Screw, Phillips 6-32 x 3/8" F.H.M.S. (back plate) (Includes 10 ea. #32, #33, #34) Screw Pack (10 ea. 6-32 x 3/8", 5/16", 7/16")		6477600001	\$20.00



Simplex

8100 Series

Item	Qty/Lock	Description	Finish	Part Number	List Price
35	1	Front Lock Housing	Satin Chrome	20300026D01	\$140.00
		Front Lock Housing	Bright Chrome	20300002601	\$140.00
		Front Lock Housing	Bright Brass	2030000301	\$140.00
		Front Lock Housing	Antique Brass	2030000501	\$140.00
38	1	Corbin / Russwin Outside Drive Sleeve Assembly (Removable Core)		20403600001	\$70.00
39	1	Sargent Outside Drive Sleeve Assembly (Removable Core)		20403700001	\$70.00
40	1	Schlage Outside Drive Sleeve Assembly (Removable Core)		20403800001	\$70.00
41	1	Inside Lever Retainer Clip (5 Pack)		20412000005	\$19.00
42	1	Unified Trim Plate for Deadbolt	Satin Chrome	80121826D01	\$56.00
		Unified Trim Plate for Deadbolt	Bright Chrome	80121802601	\$56.00
		Unified Trim Plate for Deadbolt	Bright Brass	8012180301	\$56.00
		Unified Trim Plate for Deadbolt	Antique Brass	8012180501	\$56.00
43	1	Thread Ring	Satin Chrome	80122726D01	\$20.00
		Thread Ring	Bright Brass	8012270301	\$20.00
		Thread Ring	Antique Brass	8012270501	\$20.00
44	1	Gear Detention Spring (Not shown in exploded view)		80123100001	\$18.00
45	1	Drive Shaft Assembly Bracket Screw (Includes 1 ea. #45, #51)		80124700001	\$19.00
46	1	Drive Shaft Assembly ALL models EXCEPT Schlage		80123900001	\$48.00
		Schlage Drive Shaft Assembly		80129300001	\$48.00
47	1	Inside Drive Sleeve - RH		80124000001	\$49.00
		Inside Drive Sleeve - LH		80125700001	\$49.00
48	1	Thumb Turn Assembly (Passage & Lockout)	Satin Chrome	80127926D01	\$73.00
		Thumb Turn Assembly (Passage & Lockout)	Bright Brass	8012790301	\$73.00
		Thumb Turn Assembly (Passage & Lockout)	Antique Brass	8012790501	\$73.00
49	1	Thumb Turn Assembly (Deadbolt)	Satin Chrome	80124326D01	\$50.00
		Thumb Turn Assembly (Deadbolt)	Bright Brass	8012430301	\$50.00
		Thumb Turn Assembly (Deadbolt)	Antique Brass	8012430501	\$50.00
50	1	Reinforcing Plate		80124500001	\$20.00
51	1	Drive Shaft Assembly Bracket (Includes 1 ea. #45, #51)		80124700001	\$19.00
52	1	Inside Lever Sleeve Base - RH	Satin Chrome	80124826D01	\$59.00
		Inside Lever Sleeve Base - RH	Bright Brass	8012480301	\$59.00
		Inside Lever Sleeve Base - RH	Antique Brass	8012480501	\$59.00
		Inside Lever Sleeve Base - LH	Satin Chrome	80124926D01	\$59.00
		Inside Lever Sleeve Base - LH	Bright Brass	8012490301	\$59.00
		Inside Lever Sleeve Base - LH	Antique Brass	8012490501	\$59.00
53	1	Clutch Assembly (Includes 1 ea. #12, #19, #53) - RH		80125200001	\$83.00
		Clutch Assembly (Includes 1 ea. #12, #19, #53) - LH		80125300001	\$83.00
54	1	Passage Plug Assembly - with (2) DF5 Keys (Passage & Lockout)	Satin Chrome	80127926D01	\$73.00
		Passage Plug Assembly - with (2) DF5 Keys (Passage & Lockout)	Bright Brass	8012790301	\$73.00
		Passage Plug Assembly - with (2) DF5 Keys (Passage & Lockout)	Antique Brass	8012790501	\$73.00
55	1	Back Plate Assembly - RH		80126000001	\$112.00
		Back Plate Assembly - LH		80127200001	\$112.00

Simplex 8100 Series



Item	Qty/Lock	Description	Finish	Part Number	List Price
56	1	Mortise Assembly with Deadbolt (Includes 1 ea. #56 #57) - RH (old # 80126126D41)	Satin Chrome	80127426D01	\$240.00
		Mortise Assembly with Deadbolt (Includes 1 ea. #56 #57) - RH (old # 8012610341)	Bright Brass	8012740301	\$240.00
		Mortise Assembly with Deadbolt (Includes 1 ea. #56 #57) - LH (old # 80127526D41)	Satin Chrome	80127326D01	\$240.00
		Mortise Assembly with Deadbolt (Includes 1 ea. #56 #57) - LH (old # 8012750341))	Bright Brass	8012730301	\$240.00
57	1	Strike Plate (Includes screws) - RH	Satin Chrome	80126226D01	\$30.00
		Strike Plate (Includes screws) - RH	Bright Brass	8012620301	\$30.00
		Strike Plate (Includes screws) - LH	Satin Chrome	80127626D01	\$30.00
		Strike Plate (Includes screws) - LH	Bright Brass	8012760301	\$30.00
58	1	Inside Lever Sleeve Assembly - RH	Satin Chrome	80126526D01	\$85.00
		Inside Lever Sleeve Assembly - RH	Bright Chrome	80126502601	\$85.00
		Inside Lever Sleeve Assembly - RH	Bright Brass	8012650301	\$85.00
		Inside Lever Sleeve Assembly - RH	Antique Brass	8012650501	\$85.00
		Inside Lever Sleeve Assembly - LH	Satin Chrome	80126626D01	\$85.00
		Inside Lever Sleeve Assembly - LH	Bright Chrome	80126602601	\$85.00
		Inside Lever Sleeve Assembly - LH	Bright Brass	8012660301	\$85.00
		Inside Lever Sleeve Assembly - LH	Antique Brass	8012660501	\$85.00
59	1	Unified Trim Plate - without Deadbolt	Satin Chrome	80127826D01	\$56.00
		Unified Trim Plate - without Deadbolt	Bright Chrome	80127802601	\$56.00
		Unified Trim Plate - without Deadbolt	Bright Brass	8012780301	\$56.00
		Unified Trim Plate - without Deadbolt	Antique Brass	8012780501	\$56.00
60	1	Mortise Assembly - without Deadbolt - RH	Satin Chrome	80128726D01	\$227.00
		Mortise Assembly - without Deadbolt - RH	Bright Brass	8012870301	\$227.00
		Mortise Assembly - without Deadbolt - LH	Satin Chrome	80128826D01	\$227.00
		Mortise Assembly - without Deadbolt - LH	Bright Brass	8012880301	\$227.00
61	2	Mounting Screw Kit (Includes 4 ea. #61; 2 pins)		6477726D01	\$32.00
62	1	Installation Hardware Kit (Not shown in exploded view)	Satin Chrome	80125926D01	\$59.00
		Installation Hardware Kit (Not shown in exploded view)	Bright Brass	8012590301	\$59.00
		Installation Hardware Kit (Not shown in exploded view)	Antique Brass	8012590501	\$59.00

Additional Kits & Accessories

See pages 82-86

Notes

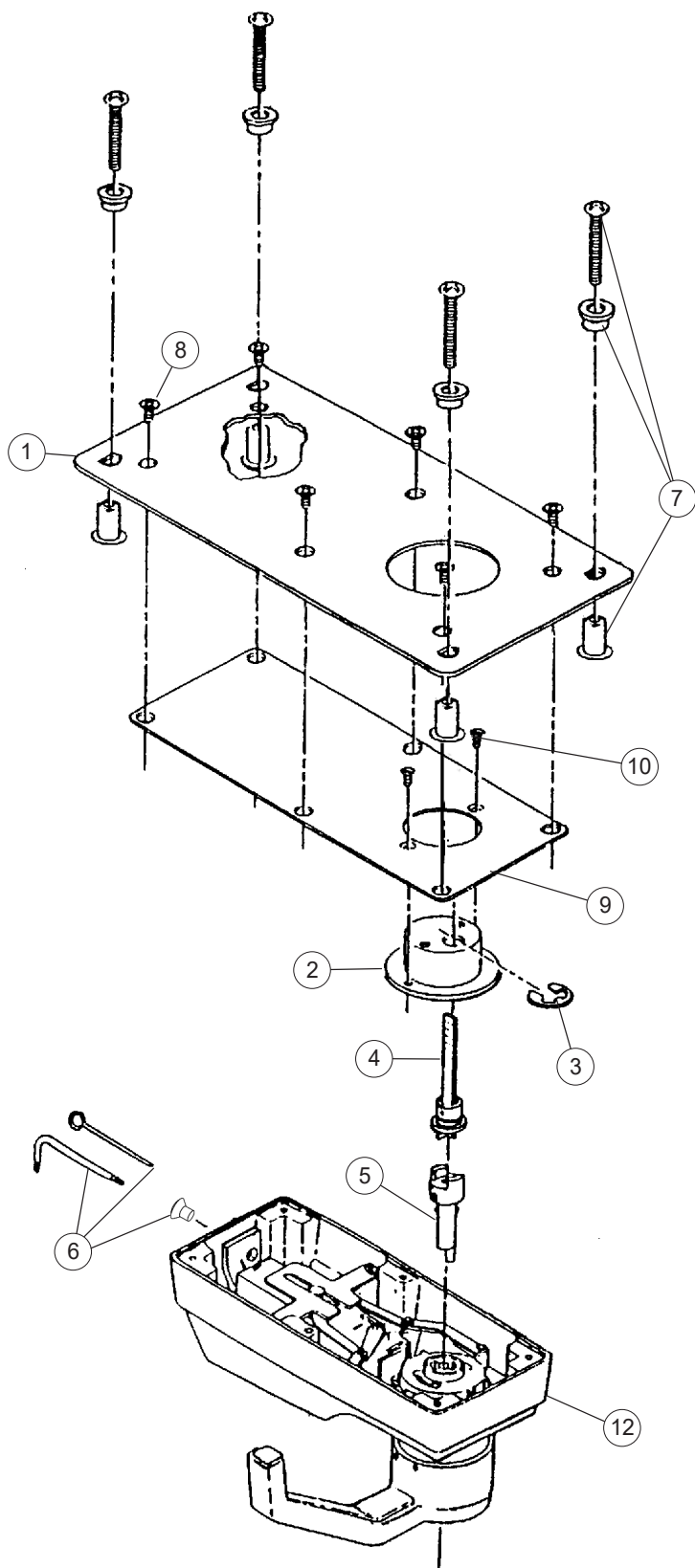
- Lubriplate Aero grease is the "only" lubricant that should be used.
- Parts availability may be limited on older component parts no longer used in production units.

Simplex LP1000 Series



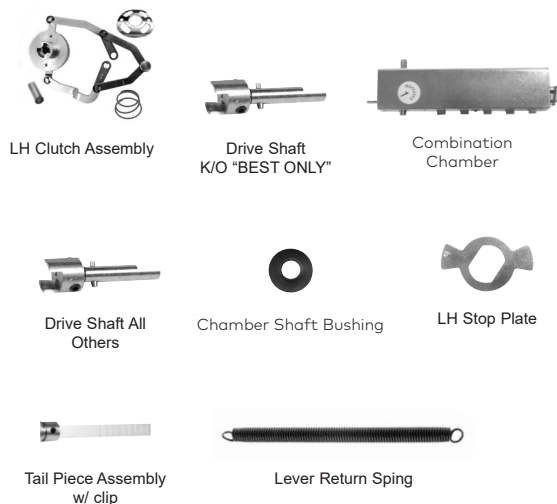


Simplex LP1000 Series



LP1000 Series Service Kit

Left Hand Kit Shown



Item	Part Number	List Price
LP1000 Series Service Kit (LH)	203040-000-01	\$221.00
<ul style="list-style-type: none"> • Chamber Shaft Bushing • Clutch Assembly • Combination Chamber • Lever Return Spring • Key Override Shaft (Best) • Key Override Shaft (all others) • Stop Plate • Tailpiece Assembly 		

Item	Part Number	List Price
LP1000 Series Service Kit (RH)	203039-000-01	\$221.00
<ul style="list-style-type: none"> • Chamber Shaft Bushing • Clutch Assembly • Combination Chamber • Lever Return Spring • Key Override Shaft (Best) • Key Override Shaft (all others) • Stop Plate • Tailpiece Assembly 		

**See Page 6 for
How to Order instructions**

Notes
For lock assembly, see L1000 section.

Simplex LP1000 Series



Item	Qty/Lock	Description	Finish	Part Number	List Price
1	1	Mounting Plate	Black	2435501201	\$39.00
2	1	Lock Adapter		4424700001	\$33.00
3	1	E - Ring (For Tailpiece Assembly) (10 Pack)		5419800010	\$18.00
4	1	Tail Piece Assembly (Includes 1 ea. #3, #4)		7430300001	\$23.00
5	1	Drive Shaft Assembly (Short) (For All Key Override Cores Except Best and Equivalents)		7452900001	\$35.00
		Drive Shaft Assembly (Long) (For Best Key Override and Equivalents)		7467900001	\$35.00
6	1	Torx Anti-Tamper Wrench - Code Change Tool/Screw Kit (Includes Wrench, Code Change Tool, Screw)	Satin Chrome	7454326D01	\$21.00
		Torx Anti-Tamper Wrench - Code Change Tool/Screw Kit (Includes Wrench, Code Change Tool, Screw)	Bright Brass	745430301	\$21.00
		Torx Anti-Tamper Wrench - Code Change Tool/Screw Kit (Includes Wrench, Code Change Tool, Screw)	Antique Brass	745430501	\$21.00
7	4	Thru-Bolt Screw Kit (Includes 4 ea. screw, bushing, sex nut)	Satin Chrome	7454426D01	\$25.00
		Thru-Bolt Screw Kit (Includes 4 ea. screw, bushing, sex nut)	Bright Brass	745440301	\$25.00
		Thru-Bolt Screw Kit (Includes 4 ea. screw, bushing, sex nut)	Antique Brass	745440501	\$25.00
8	6	Screw, Phillips 6-32 x 5/8" F.H.M.S. (Back Plate) (Replaced 201444-022-10) (201955-000-01) (10 Pack)		20416600010	\$16.00
9	1	Back Plate (Replaced 24354-000-01)		20404300001	\$29.00
10	1	Lock Adapter Screw (5 Pack)		20411200005	\$17.00
11	1	Installation Hardware Kit (Includes 1 ea. #6, #7, #8)		7455426D01	\$36.00
		Installation Hardware Kit (Includes 1 ea. #6, #7, #8)		745540301	\$36.00
12	1	Front Lock Housing (Housing ONLY)	Satin Chrome	20300026D01	\$137.00
		Front Lock Housing (Housing ONLY)	Bright Chrome	20300002601	\$137.00
		Front Lock Housing (Housing ONLY)	Bright Brass	2030000301	\$137.00
		Front Lock Housing (Housing ONLY)	Antique Brass	2030000501	\$137.00
Additional Kits & Accessories					
See pages 82-86					

Notes

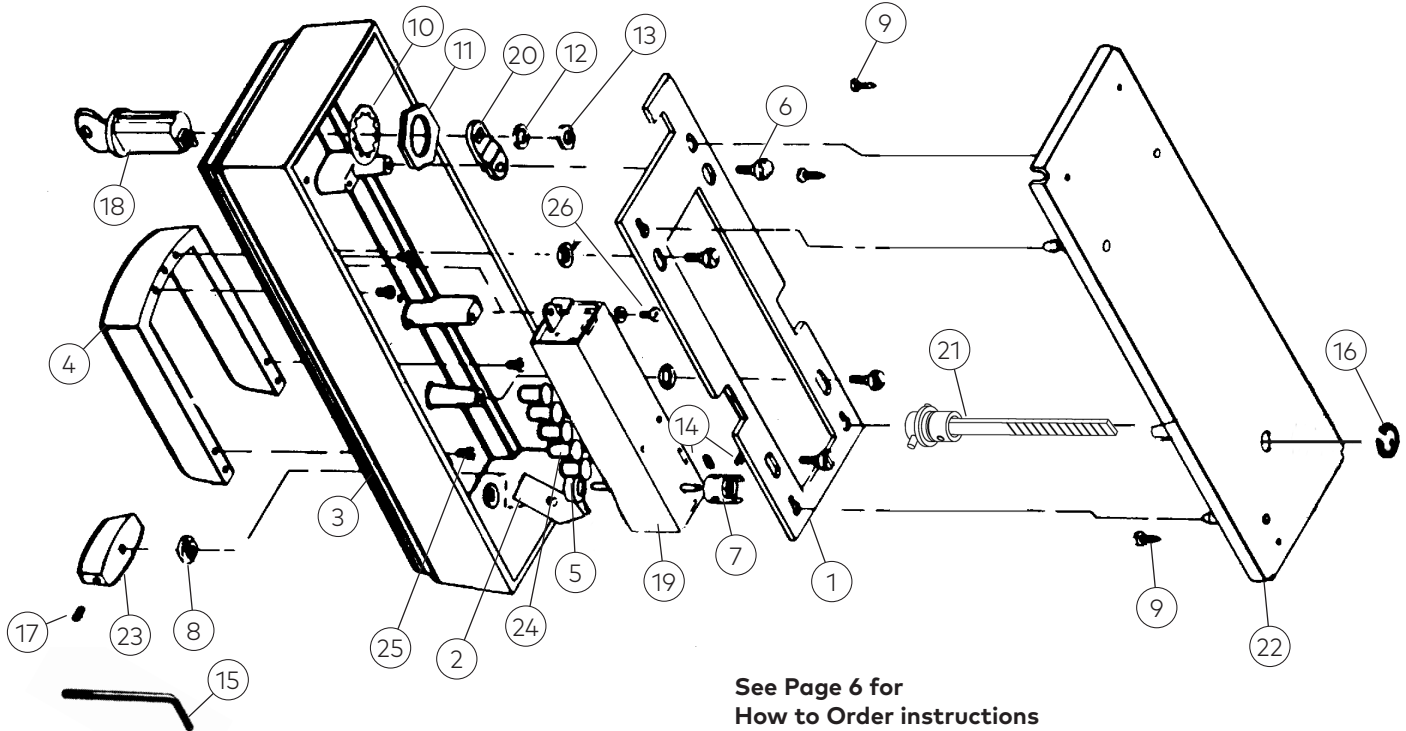
- Lubriplate Aero grease is the "only" lubricant that should be used.
- Parts availability may be limited on older component parts no longer used in production units.

Simplex 2015 Series





Simplex 2015 Series



Item	Qty/Lock	Description	Finish	Part Number	List Price
1	1	Lock-in Plate		2410900001	\$46.00
2	1	Stop Arm (Includes #2, #5, #7, #14, #19)		74241200001	\$139.00
3	1	Front Housing	Satin Chrome	3404426D01	\$156.00
4	1	1/2" VisiGuard	Satin Chrome	3404626D01	\$24.00
5	1	Control Shaft Sleeve (Includes #2, #5, #7, #14, #19)		74241200001	\$139.00
6	4	Lock-In Slide Shoulder Screws (For Drive Hub) (10 Pack)		4412100010	\$23.00
7	1	Drive Hub (Includes 1 ea. #7, 3 pcs of #14)		4412200001	\$23.00
8	1	Control Shaft Bushing (Includes 1 ea. of #8, #17, #23)		20001326D01	\$18.00
9	4	No. 7 PanHead Sheet Metal Screws (For Rear Cover) (10 Pack)		5407700010	\$17.00
10	1	Control Lock Cylinder Lock Washer (Includes #10, #11, #12, #13)		6476600001	\$18.00
11	1	Control Lock Cyl. Nut (Includes #10, #11, #12, #13)		6476600001	\$18.00
12	1	Plug Lock Washer (Includes #10, #11, #12, #13)		6476600001	\$18.00
13	1	Plug Nut (Includes #10, #11, #12, #13)		6476600001	\$18.00
14	3	8-32 x 3/16" (5 mm) Self-Locking Hex Socket Set Screw Kit (Includes 1 ea. #7, 3 pcs #14)		4412200001	\$23.00
15	1	Allen Wrench 5/64" x 1 131/32 (2 x 50 mm)		6471700001	\$18.00
16	1	E-Ring (For Tailpiece Assembly) (10 Pack)		5419800010	\$18.00
17	1	Set Screw 6-32 x 1/4" (6 mm) (Includes 1 ea. #8, #17, #23) (10 Pack)		20001326D01	\$18.00
18	1	Control Lock (Includes #10, #11, #12, #13, #18, #20)	Satin Chrome	7416626D01	\$87.00
19	1	Combination Chamber (Includes 1 ea. #2, #5, #7, #14, #19)		74241200001	\$139.00

Simplex 2015 Series



Item	Qty/Lock	Description	Finish	Part Number	List Price
20	1	Control Lock Cam & Stud Assembly		7430200001	\$17.00
21	1	Tailpiece Assy (Includes 1 ea. #16, #21)		7430300001	\$23.00
22	1	Back Plate Assembly		7430400001	\$44.00
23	1	Turn Knob Kit (Includes 1 ea. #8, #17, #23)	Satin Chrome	20001326D01	\$18.00
24	5	Pushbuttons (10 Pack)	Satin Chrome	20002410910	\$19.00
25	6	Screw 6-32 x 5/16" RHMS (10 mm) (For combination chamber and VisiGuard) (10 Pack) Screw Pack (10 ea. 6-32 x 3/8", 5/16", 7/16")		6477600001	\$19.00
Additional Kits & Accessories					
See pages 82-86					

Notes

- Lubriplate Aero grease is the "only" lubricant that should be used.
Parts availability may be limited on older component parts no longer used in production units.

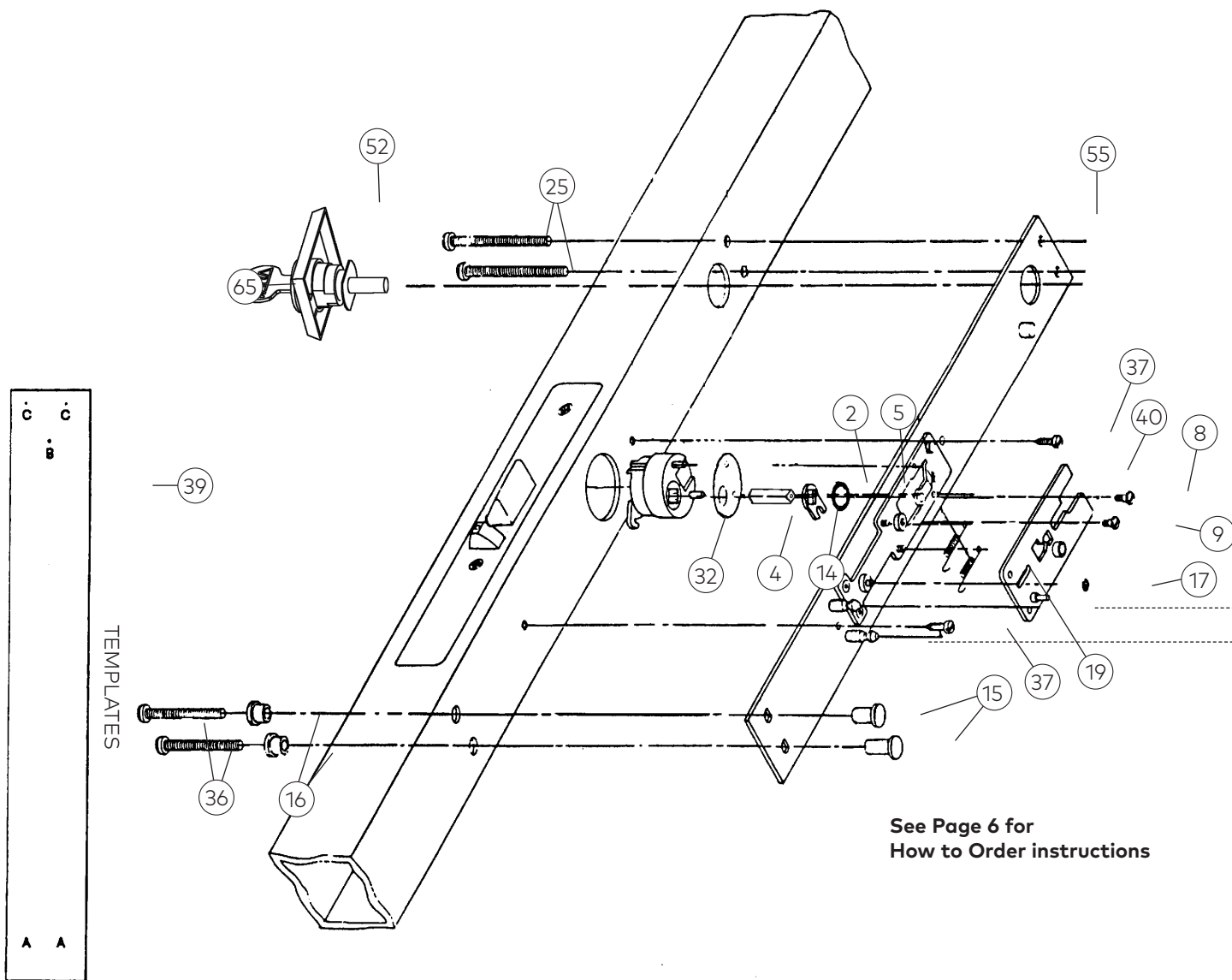
Simplex 3000 Series



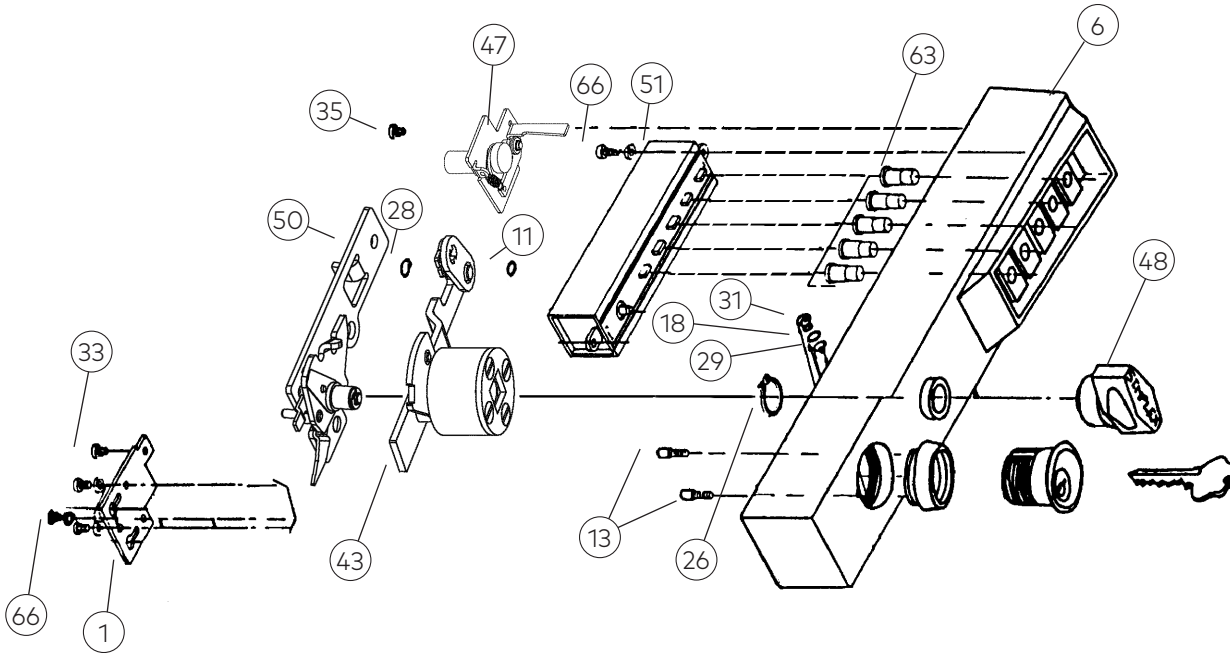


Simplex

3000 Series



Item	Qty/Lock	Description	Finish	Part Number	List Price
1	1	Plate Lock		2416500001	\$17.00
2	1	Slide Yoke Cam - Yoke Kit (Includes 1 ea. #2, #5, #14)		6476700001	\$31.00
4	1	Cam Cover	Satin Chrome	2419326D01	\$16.00
		Cam Cover	Duranodic	241935501	\$16.00
5	1	Yoke Spacer - Yoke Kit (Includes 1 ea. #2, #5, #14)		6476700001	\$31.00
6	1	Lock Housing without Cylinder Guard	Satin Chrome	3404726D01	\$80.00
		Lock Housing without Cylinder Guard	Duranodic	340475501	\$80.00
		Lock Housing with Cylinder Guard (Includes 1 ea. #6, #18, #29, #31)	Satin Chrome	7442526D01	\$113.00
		Lock Housing with Cylinder Guard (Includes 1 ea. #6, #18, #29, #31)	Duranodic	744255501	\$113.00
8	1	Special Head Screw No. 5-40 UNC-2A x 3/16" (5mm) long (For cam drive) (10 Pack)		4418800010	\$21.00



Item	Qty/Lock	Description	Finish	Part Number	List Price
9	1	Special Head Screw No. 6-32 UNC-2A x 1/8" (3mm) long (For forward slide) (10 Pack)		4419100010	\$21.00
11	1	Bushing (For Combination Chamber Control Shaft) (10 Pack)		4420700010	\$21.00
13	2	Threaded Self-tapping Screw No. 4-24 SP x 5/16" (8mm) long (For cylinder retention) (10 Pack)		4421400010	\$19.00
14	1	Square Shaft Kit 5/8" (16mm) long (For cam drive) (Includes 1 ea. #2, #5, #14)		6476700001	\$31.00
15	2	Threaded Bushing; "D" Shaped (For lower drive assembly mounting plate)(10 Pack)	Black	4422601210	\$38.00
16	2	Bushing; "O" Shaped (For lower drive assembly mounting) (10 Pack)	Black	442291910	\$26.00
17	3	Retaining Ring (For slide, stud code lever, and interposer) (10 Pack)		5411400010	\$17.00
18	1	Washer 1/4" (6mm) Shim (For cylinder guard 74425) (Includes 1 ea. #18, #29, #31)		6476800001	\$17.00



Simplex

3000 Series

Item	Qty/Lock	Description	Finish	Part Number	List Price
19	2	Extension Spring (For slide stile plate assembly) (10 Pack)		5423700010	\$18.00
25	2	Phillips Head Screw No. 10-24 UNC - 2A x 2 1/8" (54mm) long (For securing upper lock housing) (10 Pack)		5424700010	\$18.00
26	1	Retaining Ring (For drive knob) (10 Pack)		5425100010	\$18.00
28	1	Grip Ring (For combination chamber control shaft) (10 Pack)		5425300010	\$18.00
29	1	Ball Bearing; 3/32" (2mm) dia. (For cylinder guard) (Includes 1 ea. #18, #29, #31)		6476800001	\$17.00
31	1	Round Head Screw No. 5-40 UNC-2A x 1/4" (6mm) long (For lock housing prepped for cylinder guard) (Includes 1 ea. #18, #29, #31)		6476800001	\$17.00
32	1	Cam Plug No. 4580 Adams Rite		5425800001	\$23.00
33	1	Pan Head Screw No. 6-32 UNC-2AA x 3/16" (5mm) long (For cylinder cam stop) (10 Pack)		5426000010	\$13.00
35	1	Slotted Flat Head Screw No. 2-56 x 1/4" (6mm) long (For code change assembly plate) (10 Pack)		5426500010	\$13.00
36	2	Phillips Head Machine Screw No. 10-24 x 1 1/2" (38mm) long (For lower drive assembly mounting) (10 Pack)	Black	5427500010	\$18.00
37	1	Self-tapping Sheet Metal Screw No. 6 (For securing drive assembly)(10 Pack)		5428400010	\$13.00
38	1	Screwdriver 2 1/2" (64mm) Blade; Flat Point (For combination code change) (Not shown on exploded view)		5428500001	\$17.00
39	1	Template (Cardboard)- 1 1/8" (28mm) L		6414300001	\$16.00
		Template (Cardboard)- 1 1/8" (28mm) L		6414400001	\$16.00
		Template (Cardboard)- 3 1/32" (25mm) R		6414500001	\$16.00
		Template (Cardboard)- 3 1/32" (25mm) L		6414600001	\$16.00
40	1	Slide Assembly- 3 1/32" (25mm) L		7433100001	\$23.00
		Slide Assembly- 3 1/32" (25mm) R		7433200001	\$23.00
		Slide Assembly- 1 1/8" (28mm) L		7433300001	\$23.00
		Slide Assembly- 1 1/8" (28mm) R		7433400001	\$23.00
43	1	Clutch Assembly (Complete)		6475500001	\$72.00
47	1	Code Change Assembly (Complete)		7434800001	\$34.00
48	1	Knob Assembly (Includes 1 ea. #26, #48)	Black	743491901	\$19.00
50	1	Interposer Drive and Ball Assembly (Complete)		7435400001	\$34.00
51	1	Combination Chamber (M-63)/(M-56)		7436600001	\$129.00
52	1	Trim Plate Assembly with (2) DF59 Keys (Complete)	Black	743771901	\$26.00
55	1	Complete Mounting Plate Assembly (For 1 1/8" (28 mm) backset); RH (Complete) (Includes 1 ea. #2, #5, #8, #9, #14, #17, #19, #32, #40, #55) - Old # 744161901	Black	30301941	\$98.00
		Complete Mounting Plate Assembly (For 1 1/8" (28 mm) backset); LH (Complete) (Includes 1 ea. #2, #5, #8, #9, #14, #17, #19, #32, #40, #55) - Old # 744181901	Black	30401941	\$98.00
		Complete Mounting Plate Assembly (For 3 1/32" (25 mm) backset); RH (Complete) (Includes 1 ea. #2, #5, #8, #9, #14, #17, #19, #32, #40, #55) - Old # 744201901	Black	30101941	\$98.00
		Complete Mounting Plate Assembly (For 3 1/32" (25 mm) backset); LH (Complete) (Includes 1 ea. #2, #5, #8, #9, #14, #17, #19, #32, #40, #55) - Old # 744221901	Black	30201941	\$98.00
63	5	Pushbuttons (10 Pack)	Black	20002410610	\$19.00
		Pushbuttons (10 Pack)	Silver	20002410910	\$19.00
65	2	DF-59 Keys (For combination change control lock) (Includes spanner wrench not needed for 3000 code change)		20127800001	\$17.00
66	2	Sems Screw Kit Phillips 6 - 32 x 5/16" (8mm) R.H.M.S. (For combination chamber) (Old #54199 & #54200) Screw Pack (10 ea. 6-32 x 3/8", 5/16", 7/16")		6477600001	\$19.00

Simplex 3000 Series



Additional Kits & Accessories	Finish	Part Number	List Price
See pages 82-86			

Notes

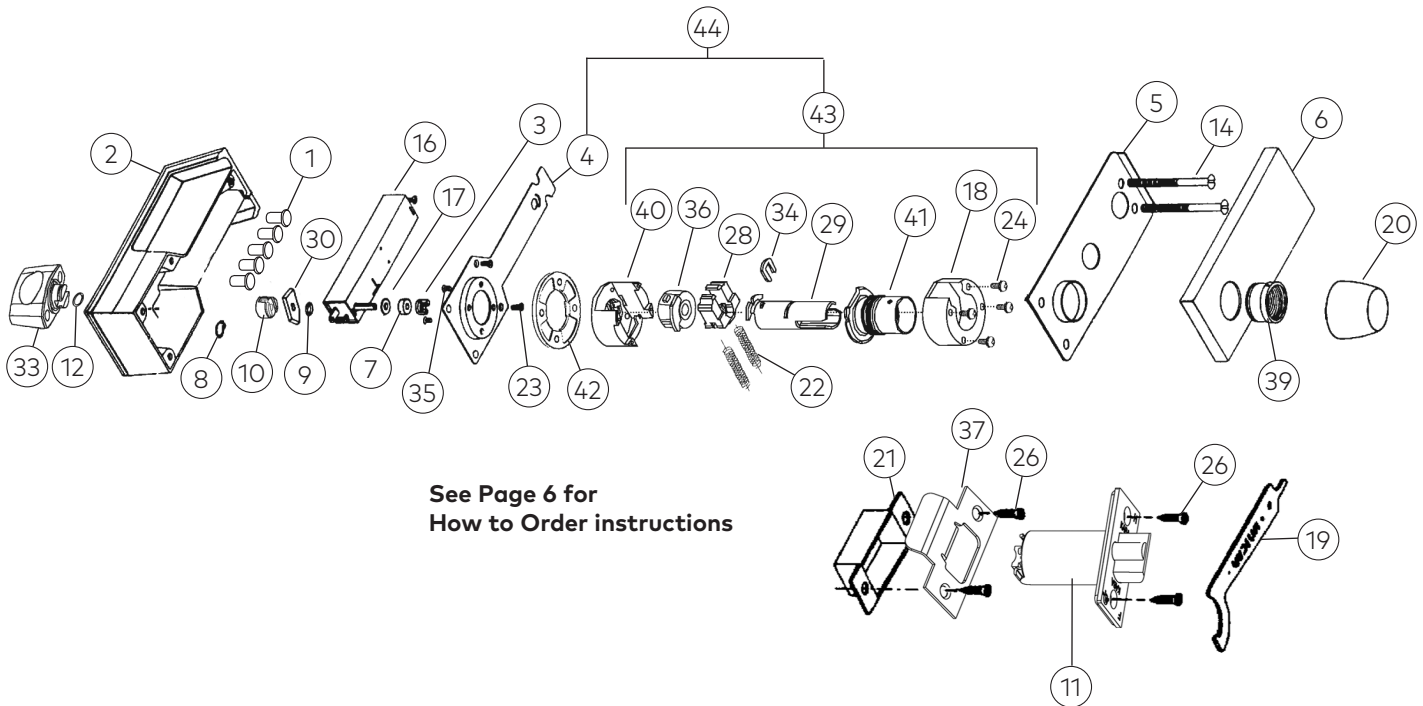
- Lubriplate Aero grease is the "only" lubricant that should be used.
Parts availability may be limited on older component parts no longer used in production units.

Simplex 6200 Series





Simplex 6200 Series



See Page 6 for
How to Order instructions

Item	Qty/Lock	Description	Finish	Part Number	List Price
1	5	Pushbuttons (10 Pack)	Black	3401910610	\$19.00
2	1	Front Lock Housing	Gold Tone	5500106001	\$120.00
		Front Lock Housing	Almond	5500106701	\$120.00
		Front Lock Housing	Black	5500108501	\$120.00
		Front Lock Housing	Grey	5500108601	\$120.00
3	1	Drive Hub - Drive Hub Kit (Includes 1 ea. #3, #17; 2 pcs #7)		6477200001	\$18.00
4	1	Back Plate Sub-assembly (Old # 55095)		5504400001	\$44.00
5	1	Inside Door Reinforcing Plate		5505700001	\$17.00
6	1	Inside Trim Plate	Satin Chrome	5506026D01	\$26.00
		Inside Trim Plate	Bright Brass	550600301	\$26.00
7	1	Spacer - Drive Hub Kit (Includes 1 ea. #3, #17; 2 pcs #7)		6477200001	\$18.00
8	1	Retainer Ring for Turn Knob (10 Pack)		5508000010	\$18.00
9	1	Stop Arm Washer - Combination Chamber Kit (Includes 1 ea. #9, #16, #30)		7487000001	\$132.00
10	1	Force Proof Clutch Assembly		5509100001	\$46.00
11	1	Latch 1/2" (13mm) Throw; 2 3/8" (60mm) Backset; Flat Front; 7/8" Barrel Hole Prep See 75185xxx	Satin Chrome	5511526D01	NA
		Latch 1/2" (13mm) Throw; 2 3/8" (60mm) Backset; Flat Front; 7/8" Barrel Hole Prep See 75185xxx	Bright Brass	551150301	NA
		Latch 1/2" (13mm) Throw; 2 3/4" (70mm) Backset; Flat Front; 7/8" Barrel Hole Prep See 204168xxx	Satin Chrome	5511626D01	NA
		Latch 1/2" (13mm) Throw; 2 3/4" (70mm) Backset; Flat Front; 7/8" Barrel Hole Prep See 204168xxx	Bright Brass	551160301	NA
		Latch 1/2" (13mm) Throw; 2 3/8" (60mm) Backset; Floating Front; HD, UL Listed; 1" Barrel Hole Prep	Satin Chrome	20416826D01	\$60.00
		Latch 1/2" (13mm) Throw; 2 3/8" (60mm) Backset; Floating Front; HD, UL Listed; 1" Barrel Hole Prep	Bright Brass	2041680301	\$60.00

Simplex 6200 Series



Item	Qty/Lock	Description	Finish	Part Number	List Price
		Latch 1/2" (13mm) Throw; 2 3/4" (70mm) Backset; Floating Front; HD, UL Listed; 1" Barrel Hole Prep	Satin Chrome	7518526D01	\$60.00
		Latch 1/2" (13mm) Throw; 2 3/4" (70mm) Backset; Floating Front; HD, UL Listed; 1" Barrel Hole Prep	Bright Brass	751850301	\$60.00
12	1	Wave Spring Washer (For front knob assembly) (10 Pack)		5424600010	\$18.00
14	2	Mounting Screw 1/4" x 20 NC (2 screws x 2 sizes) for Doors 1 3/8" - 2 1/4"	Satin Chrome	5530026D01	\$36.00
		Mounting Screw 1/4" x 20 NC (2 screws x 2 sizes) for Doors 1 3/8" - 2 1/4"	Bright Brass	553000301	\$36.00
15	1	Accessory Kits (For Lock Installation) (Not shown in Exploded View)	Satin Chrome	5530026D01	\$36.00
		Accessory Kits (For Lock Installation) (Not shown in Exploded View)	Bright Brass	553000301	\$36.00
16	1	Combination Chamber Kit (M64) (Includes 1 ea. #9, #16, #30) (Old # 55013-000-01)		7487000001	\$132.00
17	1	Shaft Bushing - Drive Hub Kit (Includes 1 ea. #3, #17; 2 ea. #7)		6477200001	\$18.00
18	1	Cover for Shoe Housing		20127700001	\$18.00
19	1	Installation Wrench (Spanner Wrench)		20127800001	\$17.00
20	1	Inside Knob (Old # 55073) or 201284	Satin Chrome	3426426D01	\$87.00
		Inside Knob (Old # 55073) or 201284	Bright Brass	342640301	\$87.00
21	1	Strike Box (Old # 55068-000-01)		20128700001	\$16.00
22	2	Shoe Spring (10 Pack)		20136600010	\$17.00
23	4	Sems Screw Phillips 6-32 x 1/4" (6mm) R.H.M.S. (For shoe housing cover) (10 Pack)		20144600010	\$13.00
24	4	Sems Screw Phillips 8-32 x 7/16" (11mm) R.H.M.S. (For spacer)	Satin Chrome	20421026D01	\$18.00
		Sems Screw Phillips 8-32 x 7/16" (11mm) R.H.M.S. (For spacer)	Bright Brass	2042100301	\$18.00
25	4	Sems Screw Phillips 8-32 x 11/16" (11mm) R.H.M.S. (For spacer)	Satin Chrome	20421026D01	\$18.00
		Sems Screw Phillips 8-32 x 11/16" (11mm) R.H.M.S. (For spacer)	Bright Brass	2042100301	\$18.00
26	4	Combination Screw; Phillips 8-32 x 3/4" (19mm) (For Latch & Strike) (10 Pack)	Satin Chrome	20156526D10	\$18.00
		Combination Screw; Phillips 8-32 x 3/4" (19mm) (For Latch & Strike) (10 Pack)	Bright Brass	2015650310	\$18.00
		Combination Screw; Phillips 8-32 x 3/4" (19mm) (For Latch & Strike) (10 Pack)	Antique Brass	2015650510	\$18.00
27	1	Rubber Bumper (For Door Frame) (Not Shown on Exploded View)		20156800005	\$18.00
28	1	Retractor Shoe (old # 201272)		20172300001	\$18.00
29	1	Inside Drive Sleeve Assembly (Includes 1 ea. #29, #34)		20178200001	\$25.00
30	1	Stop Arm - Combination Chamber Kit (Includes 1 ea. #9, #16, #30)		7487000001	\$132.00
31	2	Sems Screw Phillips 6-32 x 5/16" (8mm) R.H.M.S. (For combination chamber) (Old Part # 201447-000-10) Screw Pack (10 ea. 6-32 x 3/8", 5/16", 7/16")		6477600001	\$19.00
32	4	Sems Screw Phillips 6-32 x 3/8" (10mm) F.H.M.S. (For back plate) (Old Part # 201444-000-10) Screw Pack (10 ea. 6-32 x 3/8", 5/16", 7/16")		6477600001	\$19.00
33	1	Turn Knob Assembly (Old # 55128) (Includes 1 ea. #8, #33)		20201406001	\$36.00
		Turn Knob Assembly (Old # 55128) (Includes 1 ea. #8, #33)		20201406701	\$36.00
		Turn Knob Assembly (Old # 55128) (Includes 1 ea. #8, #33)		20201408501	\$36.00
		Turn Knob Assembly (Old # 55128) (Includes 1 ea. #8, #33)		20201408601	\$36.00
34	1	Retainer Clip (For Inside Knob) (Old # 201344)		20412000005	\$18.00
35	4	Sems Screw Phillips 8 - 32 x 5/16" (5mm) R.H.M.S. (For spacer)(old # 201449)	Satin Chrome	20421026D01	\$18.00
		Sems Screw Phillips 8 - 32 x 5/16" (5mm) R.H.M.S. (For spacer) (old # 201449)	Bright Brass	2042100301	\$18.00
36	1	Drive Insert (Old # 55077)		20413800001	\$35.00



Simplex 6200 Series

Item	Qty/Lock	Description	Finish	Part Number	List Price
37	1	Strike Plate (old # 201288)	Satin Chrome	20422726D01	\$18.00
		Strike Plate (old # 201288)	Bright Brass	2042270301	\$19.00
39	1	Rose Bushing / Thread Ring Privacy Locks	Satin Chrome	20416926D01	\$19.00
		Rose Bushing / Thread Ring Privacy Locks	Bright Brass	2041690301	\$55.00
40	1	Shoe Retainer and Bridge Assembly		20419900001	\$47.00
41	1	Shoe Retainer Cap Assembly	Satin Chrome	20420026D01	\$47.00
		Shoe Retainer Cap Assembly	Bright Brass	2042000301	\$18.00
42	1	1/4" Spacer, Door Thickness	Satin Chrome	20421026D01	\$18.00
		1/4" Spacer, Door Thickness	Bright Brass	2042100301	\$148.00
43	1	Cylindrical Drive Unit Assembly (Includes 1 ea. #18, #28, #29, #34, #36, #40, #41; 2 ea. #22; 4 ea. #24)	Satin Chrome	20420626D01	\$148.00
		Cylindrical Drive Unit Assembly (Includes 1 ea. #18, #28, #29, #34, #36, #40, #41; 2 ea. #22; 4 ea. #24)	Bright Brass	2042060301	\$164.00
44	1	Back Plate Assembly (Includes 1 ea. #4, #24, #42, #43)	Satin Chrome	20420726D01	\$164.00
		Back Plate Assembly (Includes 1 ea. #4, #24, #42, #43)	Bright Brass	2042070301	
Additional Kits & Accessories					
See pages 82-86					

Notes

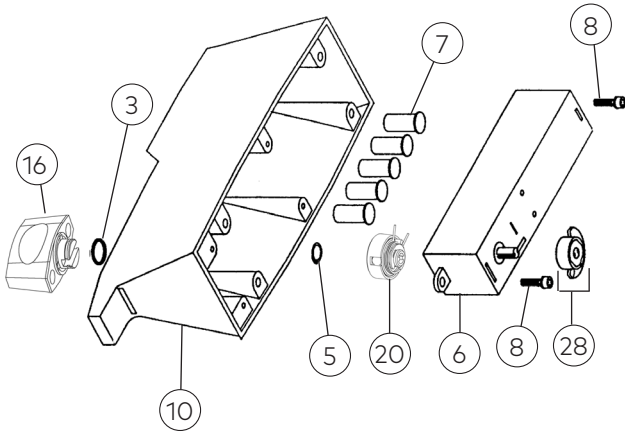
- Lubriplate Aero grease is the "only" lubricant that should be used.
- Parts availability may be limited on older component parts no longer used in production units.

Simplex 7100 Series

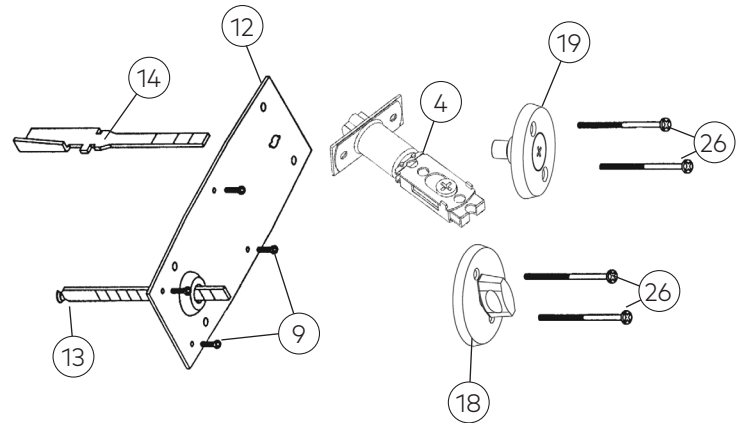




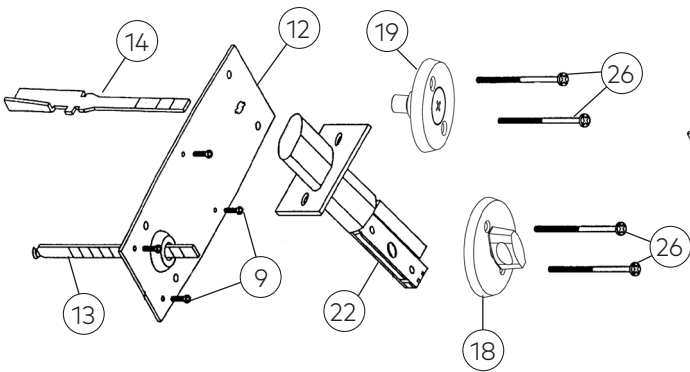
Front Housing, All Models



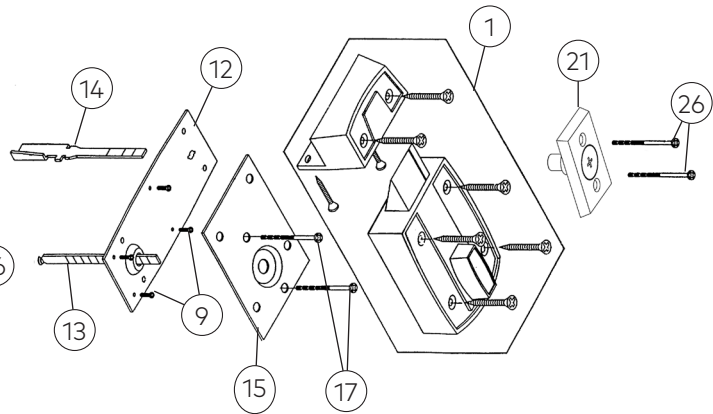
Interior: 7104



Interior: 7102, 7108



Interior: 7106



See Page 6 for
How to Order instructions

Item	Qty/Lock	Description	Finish	Part Number	List Price
1	1	Rim Deadlocking Latch 2 3/8" (60mm) Backset with Strike Box (7106 only) (Includes 1 ea. #1, #15, #35)		40275091941	\$71.00
3	1	Wave Spring Washer (For front knob assembly) (10 Pack)		5424600010	\$18.00
4	1	7104 Latch Bolt Assembly Adjustable 2 3/4" (70mm & 2 3/8" (60mm) backset (Includes 1 ea. #4, #28) (Replaced 202003)	Satin Chrome	5444426D01	\$49.00
		7104 Latch Bolt Assembly Adjustable 2 3/4" (70mm) & 2 3/8" (60mm) backset (Includes 1 ea. #4, #28) (Replaced 202003)	Bright Brass	544440301	\$49.00
5	1	Retainer Ring (10 Pack)		5508000010	\$18.00



Simplex 7100 Series

Item	Qty/Lock	Description	Finish	Part Number	List Price
6	1	Combination Chamber (M-71) Common (For all 7000/7100 Series Locks) (old # 202056)		7466000001	\$130.00
7	5	Pushbuttons (10 Pack)	Black	20002410610	\$19.00
		Pushbuttons (10 Pack)	Silver	20002410910	\$19.00
8	2	Screw Thread Forming 6-32 UNC x 5/16" (8mm) Pan Head (For combination chamber) (Includes 10 ea. #8, #9) Screw Pack (10 ea. 6-32 x 3/8", 5/16", 7/16")		6477600001	\$19.00
9	4	Screw Thread Forming 6-32 UNC x 3/8" Flat Head (For Back Plate) (Includes 10 ea. #8, #9) Screw Pack (10 ea. 6-32 x 3/8", 5/16", 7/16")		6477600001	\$19.00
10	1	Front Lock Housing (old # 202002-***-01)	Bright Brass	2020750301	\$128.00
		Front Lock Housing (old # 202002-***-01)	Antique Copper	202075AC01	\$128.00
		Front Lock Housing (old # 202002-***-01)	Black	2020751901	\$128.00
		Front Lock Housing (old # 202002-***-01)	Antique White	202075AW01	\$128.00
		Front Lock Housing (old # 202002-***-01)	Satin Chrome	20207526D01	\$128.00
		Front Lock Housing (old # 202002-***-01)	Gold Vein	202075GV01	\$128.00
		Front Lock Housing (old # 202002-***-01)	Silver Vein	202075SV01	\$128.00
12	1	Back Plate Old Style (narrow) (7000 series)		20200400001	\$18.00
		Back Plate New Style (wide) (7100 series)		20209100001	\$18.00
13	1	Tailpiece (For latch / deadbolt) (Includes 1 ea. #13, #14)		6476900001	\$18.00
14	1	Tailpiece (For combination change) (Includes 1 ea. #13, #14)		6476900001	\$18.00
15	1	7106 Rim Deadlocking Latch Inside Back Plate		20201200001	\$17.00
16	1	Outside Turn Knob Assembly (Includes 1 ea. #3, #5, #16)	Bright Brass	2020140301	\$36.00
		Outside Turn Knob Assembly (Includes 1 ea. #3, #5, #16)	Satin Chrome	20201426D01	\$36.00
		Outside Turn Knob Assembly (Includes 1 ea. #3, #5, #16)	Antique White	202014AW01	\$36.00
		Outside Turn Knob Assembly (Includes 1 ea. #3, #5, #16)	Gold Vein	202014GV01	\$36.00
		Outside Turn Knob Assembly (Includes 1 ea. #3, #5, #16)	Silver Vein	202014SV01	\$36.00
17	2	Connecting Bolt Pan Head Screws (For 7106) (5 Pack)		20202100005	\$20.00
18	1	Inside Turn Knob and Rose Assembly For Models 7102/7104/7108	Bright Brass	2020250301	\$38.00
		Inside Turn Knob and Rose Assembly For Models 7102/7104/7108	Antique Copper	202025AC01	\$38.00
		Inside Turn Knob and Rose Assembly For Models 7102/7104/7108	Satin Chrome	20202526D01	\$38.00
		Inside Turn Knob and Rose Assembly For Models 7102/7104/7108	Antique White	202025AW01	\$38.00
		Inside Turn Knob and Rose Assembly For Models 7102/7104/7108	Gold Vein	202025GV01	\$38.00
		Inside Turn Knob and Rose Assembly For Models 7102/7104/7108	Silver Vein	202025SV01	\$38.00
19	1	Inside Combination Change Assembly For Models 7102/7104/7108	Bright Brass	2020260301	\$38.00
		Inside Combination Change Assembly For Models 7102/7104/7108	Antique Copper	202026AC01	\$38.00
		Inside Combination Change Assembly For Models 7102/7104/7108	Satin Chrome	20202626D01	\$38.00
		Inside Combination Change Assembly For Models 7102/7104/7108	Antique White	202026AW01	\$38.00
		Inside Combination Change Assembly For Models 7102/7104/7108	Gold Vein	202026GV01	\$38.00
		Inside Combination Change Assembly For Models 7102/7104/7108	Silver Vein	202026SV01	\$38.00
20	1	Force Proof Clutch Assembly (Complete)		20208100001	\$38.00
21	1	7106 Combination Change Assembly	Black	2020281901	\$38.00
22	1	7102 Deadbolt Assembly 2 3/4" (70mm) backset	Satin Chrome	20205226D01	\$49.00
		7102 Deadbolt Assembly 2 3/4" (70mm) backset	Bright Brass	2020520301	\$49.00
		7108 Deadbolt Assembly 2 3/8" (60mm) backset	Satin Chrome	20206426D01	\$49.00
		7108 Deadbolt Assembly 2 3/8" (60mm) backset	Bright Brass	2020640301	\$49.00

Simplex 7100 Series



Item	Qty/Lock	Description	Finish	Part Number	List Price
26	4	Connecting Bolts - Flat Head Phillips Screws. (For 1 3/8" to 2 1/4" doors) (Includes 4 ea. #26 - 4 pcs x 3 different lengths)	Satin Chrome	6477426D01	\$20.00
		Connecting Bolts - Flat Head Phillips Screws. (For 1 3/8" to 2 1/4" doors) (Includes 4 ea. #26 - 4 pcs x 3 different lengths)	Bright Brass	647740301	\$20.00
28	1	Cam Assembly (For 7106 - "C" Up)		20207700001	\$17.00
		Cam Assembly (For 7104 - "D" Down)		20208000001	\$17.00
		Cam Assembly (For 7102/7108 - "D" Up)		20207900001	\$17.00
31	1	7102/7108 Installation Hardware Kit	Bright Brass	SP71020301	\$38.00
		7102/7108 Installation Hardware Kit	Satin Chrome	SP710226D01	\$38.00
33	1	7104 Installation Hardware Kit	Bright Brass	SP71040301	\$38.00
		7104 Installation Hardware Kit	Satin Chrome	SP710426D01	\$38.00
35	1	7106 Installation Hardware Kit	Black	SP71061901	\$38.00
36	1	7104 Strike Kit	Satin Chrome	20423026D01	\$18.00
		7104 Strike Kit	Bright Brass	2042300301	\$18.00
Additional Kits & Accessories					
See pages 82-86					

Notes

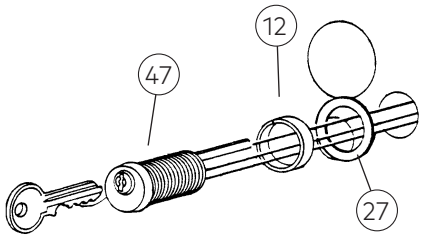
- Lubriplate Aero grease is the "only" lubricant that should be used.
- Parts availability may be limited on older component parts no longer used in production units.

Simplex 900 Series

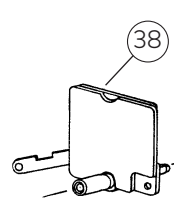
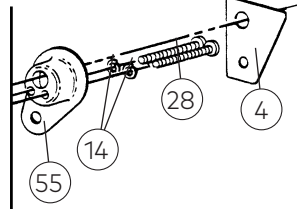




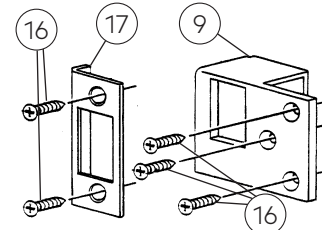
Simplex 900 Series



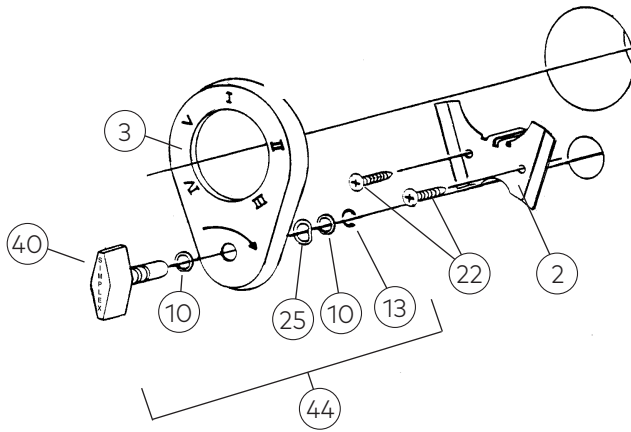
Cylinder assembly for key override model locks.



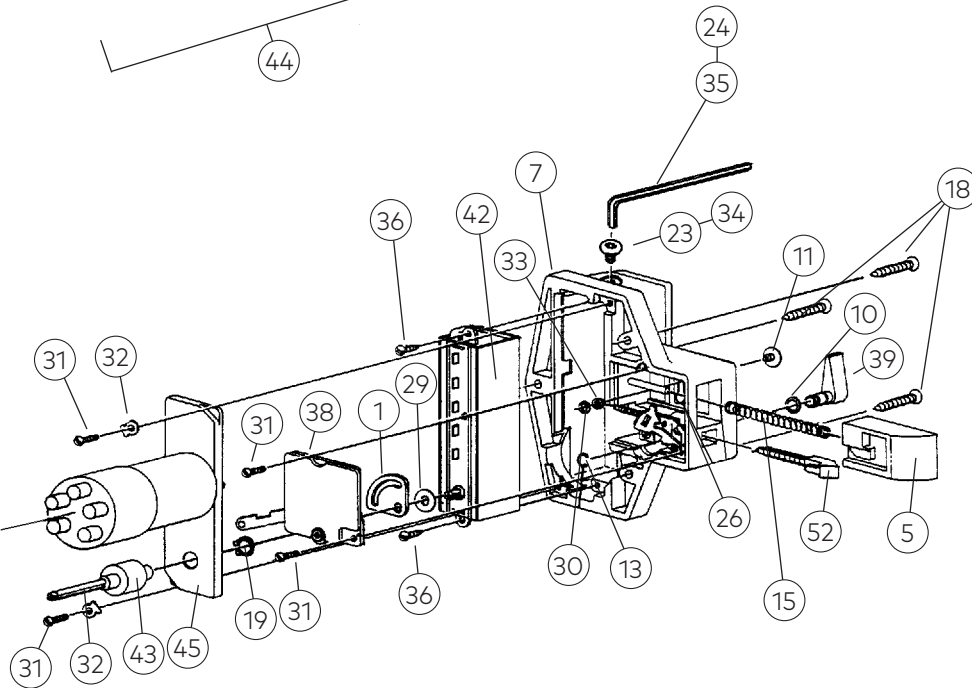
Gear plate for key
override model locks



Standard strike plate
and strike box for all
model locks



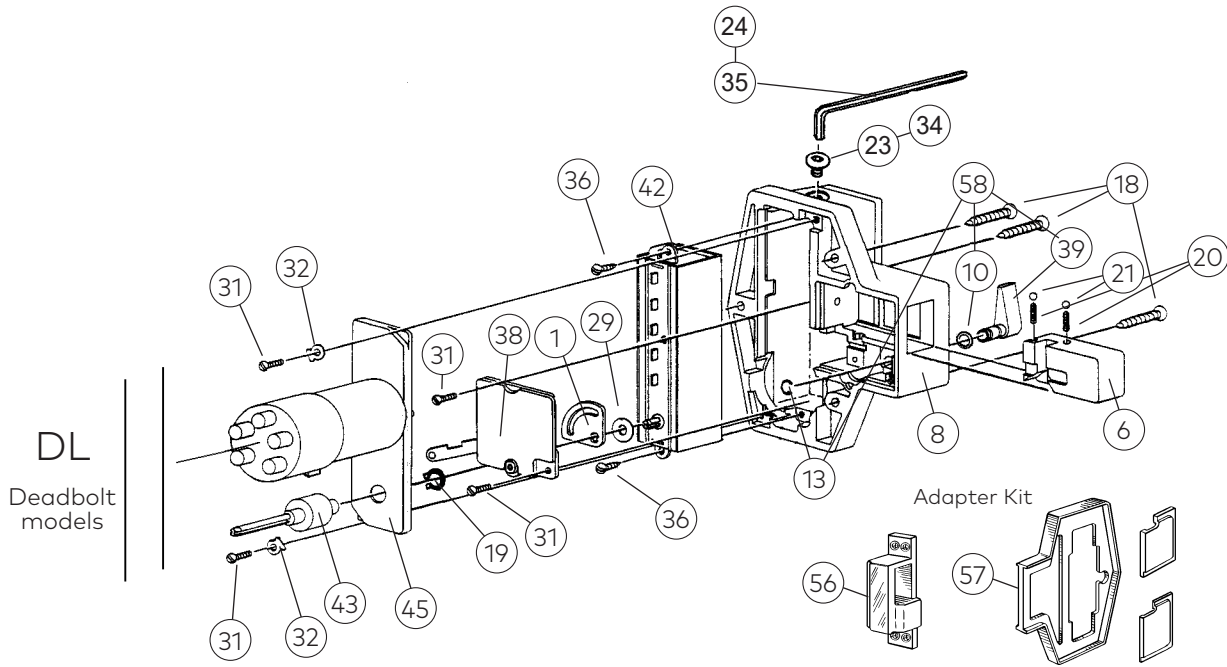
Continued
to NL & DL
models below



NL
Spring latch
models

See Page 6 for
How to Order instructions

Simplex 900 Series



Item	Qty/Lock	Description	Finish	Part Number	List Price
1	1	Sector Cam (For Combination Chamber Control Shaft)		2404600001	\$12.00
2	1	Holding Bracket (For attaching face plate to outside of door)		2406300001	\$13.00
4	1	Clip Flange Cover	Satin Chrome	2410826D01	\$12.00
		Clip Flange Cover	Satin Brass	241080401	\$12.00
5	1	Latch Bolt (For Models 9170000, 9190000, 9350000, 9380000, 9290000, NL)	Satin Chrome	3401126D01	\$17.00
		Latch Bolt (For Models 9170000, 9190000, 9350000, 9380000, 9290000, NL)	Satin Brass	340110401	\$17.00
6	1	Deadbolt (For Models 9020000, 9040000, 9060000, 9100000, DL)	Satin Chrome	3401226D01	\$17.00
		Deadbolt (For Models 9020000, 9040000, 9060000, 9100000, DL)	Satin Brass	340120401	\$17.00
7	1	Lock Housing (For Models 9170000, 9190000, 9350000 & 9380000, NL)	Satin Chrome	3402126D01	\$46.00
		Lock Housing (For Models 9170000, 9190000, 9350000 & 9380000, NL)	Satin Brass	340210401	\$46.00
		Lock Housing (For Models 9020000, 9040000, 9060000 & 9100000, DL)	Satin Chrome	3402226D01	\$46.00
		Lock Housing (For Models 9020000, 9040000, 9060000 & 9100000, DL)	Satin Brass	340220401	\$46.00
9	1	Mortise Strike Box	Satin Chrome	3402326D01	\$18.00
		Mortise Strike Box	Satin Brass	340230401	\$18.00
10	2	Nylon Washer, Spacer (For Face Plate and Inside Knob) (10 Pack)		3403700010	\$18.00
11	1	Latch Holdback Button - (For Latch Holdback Assembly) (Include 1 ea. #11, #26, #30, #33)	Satin Chrome	7446926D01	\$16.00
		Latch Holdback Button - (For Latch Holdback Assembly) (Include 1 ea. #11, #26, #30, #33)	Satin Brass	744690401	\$16.00
12	1	Spacer Collar (For Models 9060000 & 9350000)	Satin Chrome	4411226D01	\$12.00
		Spacer Collar (For Models 9060000 & 9350000)	Satin Brass	441120401	\$12.00
13	2	Knob Retainer Ring (For Face Plate and Inside Knob) (5 Pack)		5401100005	\$18.00
14	1	Lock washer (For Key Override Assembly) (10 Pack)		5402900010	\$12.00
15	1	Latch Return Spring (For Models 9170000, 9190000, 9350000, 9380000, 9290000, NL) (10 Pack)		5405000010	\$18.00



Simplex 900 Series

Item	Qty/Lock	Description	Finish	Part Number	List Price
16	2	Strike Mounting Screw (#10 x 1") (10 Pack)	Satin Chrome	5405226D10	\$16.00
		Strike Mounting Screw (#10 x 1") (10 Pack)	Satin Brass	540520410	\$16.00
17	1	Flat Strike	Satin Chrome	5405326D01	\$12.00
		Flat Strike	Satin Brass	540530401	\$12.00
18	3	Housing Mounting Screw (#10 x 1 1/2") (10 Pack)	Satin Chrome	5406126D10	\$16.00
		Housing Mounting Screw (#10 x 1 1/2") (10 Pack)	Satin Brass	540610410	\$16.00
19	1	Clutch Retainer Ring (10 Pack)		5407000010	\$17.00
20	2	Spring (For Deadbolt Ball Bearings) (10 Pack)		5407400010	\$12.00
21	2	Ball Bearings (For Deadbolt) (10 Pack)		5407500010	\$12.00
22	2	Holding Bracket Screw (#7 x 1/2" Sheet Metal) (10 Pack)		5407700010	\$17.00
23	1	Allen Head Button Screw (#10 x 32) Kit (Includes 1 ea. #23, #24)	Satin Chrome	5408226D01	\$16.00
		Allen Head Button Screw (#10 x 32) Kit (Includes 1 ea. #23, #24)	Satin Brass	540820401	\$16.00
24	1	Allen Wrench (1/8") Kit (Includes 1 ea. #23, #24)	Satin Chrome	5408226D01	\$16.00
		Allen Wrench (1/8") Kit (Includes 1 ea. #23, #24)	Satin Brass	540820401	\$16.00
25	1	Shake-proof Spring Washer (For Face Plate Assembly) (10 Pack)		5408400010	\$16.00
26	1	Latch Button Spring (For Latch Holdback Assembly) (Includes 1 ea. #11, #26, #30, #33)	Satin Chrome	7446926D01	\$16.00
		Latch Button Spring (For Latch Holdback Assembly) (Includes 1 ea. #11, #26, #30, #33)	Satin Brass	744690401	\$16.00
27	1	Flange Washer (For Key Override Cylinder)	Satin Chrome	5409726D01	\$12.00
		Flange Washer (For Key Override Cylinder)	Satin Brass	540970401	\$12.00
28	2	Screw (For Securing Key Override Cylinder) (10 Pack)		5409900010	\$12.00
29	2	Washer, Shim (For Combination Chamber) (10 Pack)		5410900010	\$11.00
30	1	Retainer Clip, E-Ring (For Latch Holdback Assembly) (Includes 1 ea. #11, #26, #30, #33)	Satin Chrome	7446926D01	\$16.00
		Retainer Clip, E-Ring (For Latch Holdback Assembly) (Includes 1 ea. #11, #26, #30, #33)	Satin Brass	744690401	\$16.00
31	2	Screw, Panhead (#4 - 40 x 5/16") (For Securing Gear Plate) (10 Pack)		5411700010	\$11.00
32	2	Washer (For Mounting Center Plate) (10 Pack)		5412000010	\$11.00
33	1	Washer (For Latch Holdback Assembly) (Includes 1 ea. #11, #26, #30, #33)	Satin Chrome	7446926D01	\$16.00
		Washer (For Latch Holdback Assembly) (Includes 1 ea. #11, #26, #30, #33)	Satin Brass	744690401	\$16.00
34	1	Tamper Proof Access Screw Kit (Includes 1 ea. #34, #35) (For Combination Change)	Satin Chrome	5413326D01	\$18.00
		Tamper Proof Access Screw Kit (Includes 1 ea. #34, #35) (For Combination Change)	Satin Brass	541330401	\$18.00
35	1	Tamper Proof Allen Wrench Kit (Includes 1 ea. #34, #35) (For Removing Tamper Access Screw)	Satin Chrome	5413326D01	\$18.00
		Tamper Proof Allen Wrench Kit (Includes 1 ea. #34, #35) (For Removing Tamper Access Screw)	Satin Brass	541330401	\$18.00
36	2	Round Head Sheet Metal Screw (#5 x 5/16") (Combination Chamber) (10 Pack)		5414400010	\$12.00
37	1	Key Blank (For Key Override Cylinder)		54266	\$10.00
38	1	Gear Plate Assembly* (For locks without key bypass for Models 9020000, 9040000, DL)		74042200001	\$25.00
		Gear Plate Assembly (For locks without key bypass) (For Models 9170000, 9190000, NL)		7407110001	\$25.00

Simplex 900 Series



Item	Qty/Lock	Description	Finish	Part Number	List Price
38	1	Gear Plate Assembly* for Key Bypass Locks (For 9350000) (NLM 100)		74162100001	\$34.00
		Gear Plate Assembly* for Key Bypass Locks (For 9380000) (NLM 200)		74163100001	\$34.00
		Gear Plate Assembly* for Key Bypass Locks (For 9060000) (DLM 100)		74164200001	\$34.00
		Gear Plate Assembly* for Key Bypass Locks (For 9100000) (DLM 200)		74167200001	\$34.00
		Gear Plate Assembly* for Key Bypass Locks with Horizontal Style Tail-piece (Best) (DLBM100)		74164400001	\$34.00
		Gear Plate Assembly* for Key Bypass Locks with Horizontal Style Tail-piece (Best) (DLBM200)		74167400001	\$34.00
		Gear Plate Assembly* for Key Bypass Locks with Horizontal Style Tail-piece (Best) (NLBM100)		74162200001	\$34.00
		Gear Plate Assembly* for Key Bypass Locks with Horizontal Style Tail-piece (Best) (NLBM100)		74163200001	\$34.00
42	1	Combination Chamber (M-55) Dimensions: 7/8" x 15/16" x 3 7/8" (22 mm x 24 mm x 98 mm) (Includes 1 ea. #1, #9, #42)		7408000001	\$95.00
43	1	Ball Bearing Clutch Assembly (For connecting outside turn knob) (Includes 1 ea. #19, #43)		7410300001	\$17.00
44	1	Face Plate with Outside Knob (Includes 1 ea. #3, #13, #25, #40; 2 ea. #10)	Satin Chrome	7411826D01	\$23.00
		Face Plate with Outside Knob (Includes 1 ea. #3, #13, #25, #40; 2 ea. #10)	Satin Brass	741180401	\$23.00
45	1	Center Plate and Barrel Assembly with Metal Buttons (100 Series) (For 9020000, 9060000, 9170000, 9350000)	Satin Chrome	7412426D01	\$39.00
		Center Plate and Barrel Assembly with Metal Buttons (100 Series) (For 9020000, 9060000, 9170000, 9350000)	Satin Brass	741240401	\$39.00
		Center Plate and Barrel Assembly with Metal Buttons (200 Series) (For 9040000, 9100000, 9190000, 9380000, 9290000)	Satin Chrome	7412526D01	\$39.00
		Center Plate and Barrel Assembly with Metal Buttons (200 Series) (For 9040000, 9100000, 9190000, 9380000, 9290000)	Satin Brass	741250401	\$39.00
47	1	Key Override Cylinder (For 1 3/4" - 2 1/8" Thick Door)	Satin Chrome	7416126D01	\$87.00
		Key Override Cylinder (For 1 3/4" - 2 1/8" Thick Door)	Satin Brass	741610401	\$87.00
52	1	Trigger Assembly (For NL + NLM Models)	Satin Chrome	7429026D01	\$16.00
		Trigger Assembly (For NL + NLM Models)	Satin Brass	742900401	\$16.00
53	1	Drill Jig "C" Clamp (For wood doors) (Not Shown on Exploded View)		7430000001	\$248.00
54	1	Metal Template (Not Shown on Exploded View)		7430100001	\$140.00
55	1	Clip and Flange Assembly	Satin Chrome	7441426D01	\$12.00
		Clip and Flange Assembly	Satin Brass	744140401	\$12.00
56	1	Surface-mounted Cast Strike (For metal door frames; spacers included) (Not Shown on Exploded View)	Satin Chrome	7446426D01	\$21.00
		Surface-mounted Cast Strike (For metal door frames; spacers included) (Not Shown on Exploded View)	Satin Brass	744640401	\$21.00
57	1	Riser Plate to Shim Lock Housings 1/4" (6 mm) or 3/8" (10 mm) (Not Shown on Exploded View)	Satin Chrome	7446826D01	\$36.00
		Riser Plate to Shim Lock Housings 1/4" (6 mm) or 3/8" (10 mm) (Not Shown on Exploded View)	Satin Brass	744680401	\$36.00
58	1	Latch Holdback Assembly Slide Button Activated for NL + NLM Models (Includes 1 ea. #11, #26, #30, #33)	Satin Chrome	7446926D01	\$16.00
		Latch Holdback Assembly Slide Button Activated for NL + NLM Models (Includes 1 ea. #11, #26, #30, #33)	Satin Brass	744690401	\$16.00



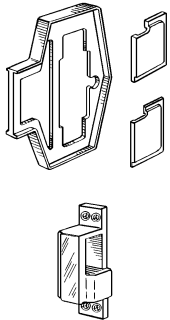
Simplex 900 Series

Item	Qty/Lock	Description	Finish	Part Number	List Price
59	1	Outside Knob Assembly – Includes Hardware (Includes 1 ea. #13, #25, #40; 2 ea. #10)	Satin Chrome	7447026D01	\$16.00
		Outside Knob Assembly – Includes Hardware (Includes 1 ea. #13, #25, #40; 2 ea. #10)	Satin Brass	744700401	\$16.00
60	1	Inside Knob Assembly – Includes Hardware (Includes 1 ea. #10, #13, #39)	Satin Chrome	7447126D01	\$17.00
		Inside Knob Assembly – Includes Hardware (Includes 1 ea. #10, #13, #39)	Satin Brass	744710401	\$17.00
Additional Kits & Accessories					
See pages 82-86					

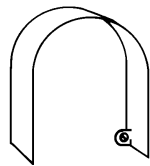
Notes

When ordering replacement cut keys, SL# must be supplied to factory.
Parts availability may be limited on older component parts no longer used in production units.

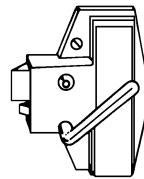
Adapter Kit



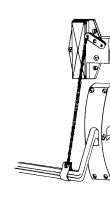
Face Plate Shield



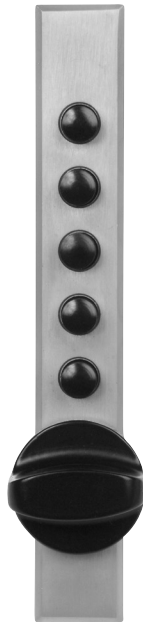
Inside Lever Handle



Panic Bar Release Kit

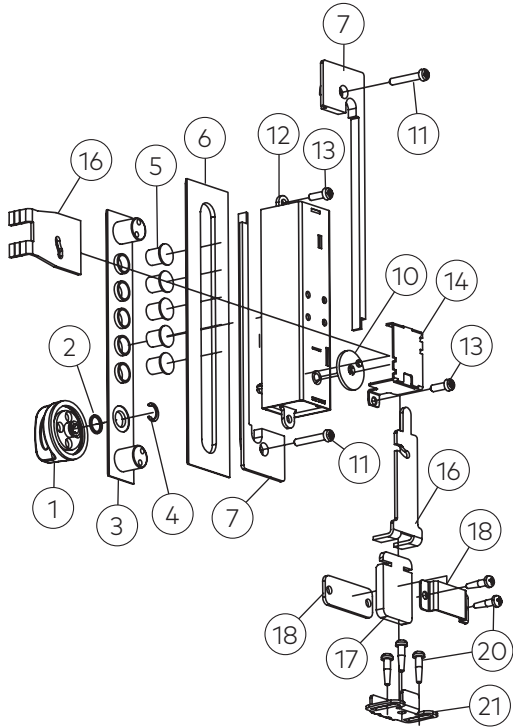


Simplex 9600 Series

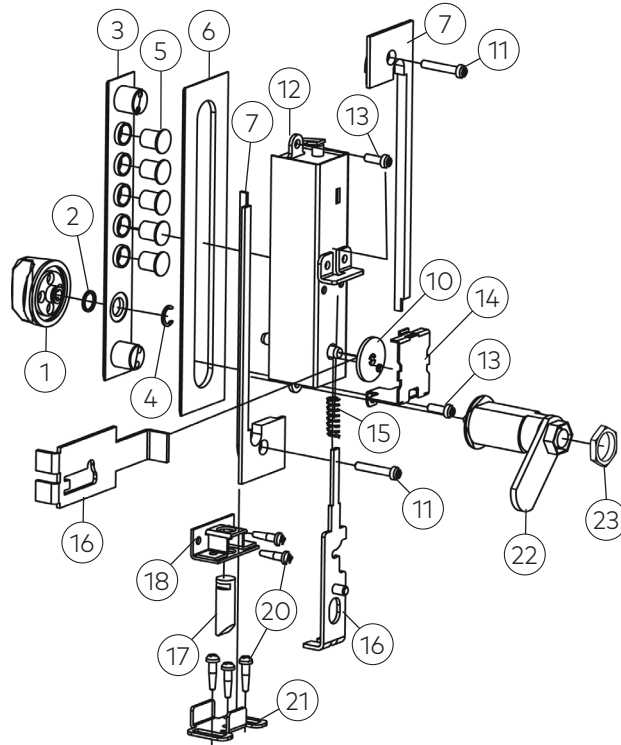




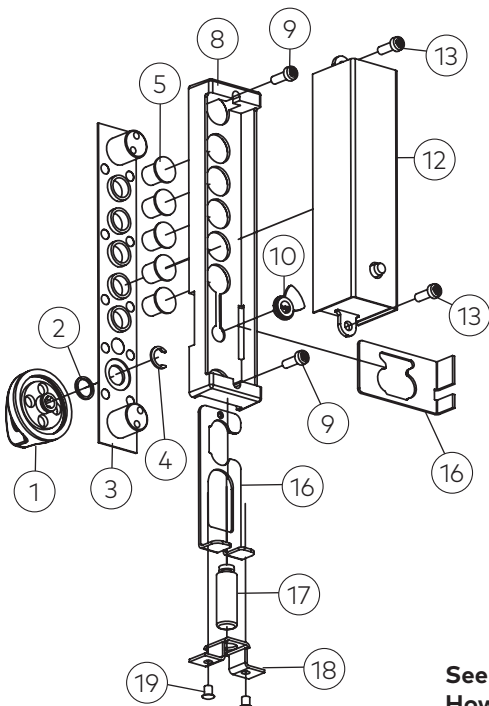
962 Wood/Deadbolt



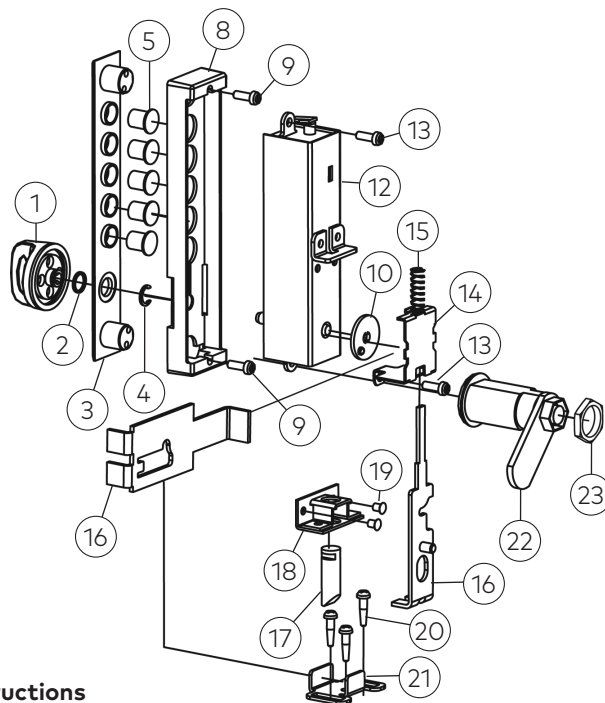
962 Wood/Spring Latch



966 Sheet Metal/Deadbolt



966 Sheet Metal/Spring Latch



**See Page 6 for
How to Order instructions**



9600 Series

Exploded View

Item	Qty/Lock	Description	Finish	Part Number	List Price
1	1	Clutch Knob Kit (Includes 1 ea. #1, #2,#4)	Black	7490608301	\$21.00
2	1	Nylon Spacer (10 Pack)		3403700010	\$18.00
3	1	Escutcheon Plate (fits wood application without trim plate) (sm 14-20 gauge)	Bright Brass	34031std0301	\$18.00
		Escutcheon Plate (fits wood application without trim plate) (sm 14-20 gauge)	Satin Brass	34031std0401	\$18.00
		Escutcheon Plate (fits wood application without trim plate) (sm 14-20 gauge)	Satin Chrome	34031std26D01	\$18.00
		Escutcheon Plate (fits .125 wood application with trim plate) (sm 1/8" metal)	Bright Brass	340311250301	\$18.00
		Escutcheon Plate (fits .125 wood application with trim plate) (sm 1/8" metal)	Satin Brass	340311250401	\$18.00
		Escutcheon Plate (fits .125 wood application with trim plate) (sm 1/8" metal)	Satin Chrome	3403112526D01	\$18.00
		Escutcheon Plate (fits .188 sheet metal applications) (sm 3/16" metal)	Bright Brass	340311880301	\$18.00
		Escutcheon Plate (fits .188 sheet metal applications) (sm 3/16" metal)	Satin Brass	340311880401	\$18.00
		Escutcheon Plate (fits .188 sheet metal applications) (sm 3/16" metal)	Satin Chrome	3403118826D01	\$18.00
		Escutcheon Plate (fits .250 sheet metal applications) (sm 1/4" metal)	Bright Brass	340312500301	\$18.00
		Escutcheon Plate (fits .250 sheet metal applications) (sm 1/4" metal)	Satin Brass	340312500401	\$18.00
		Escutcheon Plate (fits .250 sheet metal applications) (sm 1/4" metal)	Satin Chrome	3403125026D01	\$18.00
4	1	Knob Retainer Clip (5 Pack)		5401100005	\$18.00
5	5	Push Buttons (.406" long)	Black	3401910610	\$19.00
		Push Buttons (.590" long) (fits .188 and .250 sheet metal applications)	Black	20002410610	\$19.00
6	1	Trim Plate	Black	3400508301	\$16.00
7	2	Back Cover Plate (2 Pack)		3400600001	\$18.00
8	1	Back Up Plate		3417300001	\$18.00
9	2	Back Up Plate Screws (7/16" long) (sheet metal)		5443000010	\$16.00
10	1	Cam Kit (CT sheet metal, non-spring loaded applications) (assy required) (Includes 1 ea. #10, #16, retainer ring)		2420900001	\$21.00
		Cam Kit (CT wood, deadbolt applications) (Includes 1 ea. #10, #14, #16)		2404300001	\$21.00
		Cam Kit (CT wood/sheet metal spring loaded bolt applications) (Includes 1 ea. #10,#14, #15, #16)		2450900001	\$21.00
		Cam Kit (ET sheet metal, non-spring loaded applications) (assy required) (Includes 1 ea. #10, #16, retainer ring)		7410400001	\$21.00
		Cam Kit (ET wood/sheet metal, spring loaded bolt applications) (Includes 1 ea. #10, #14, #15, #16)		7457000001	\$23.00
		Cam Kit (ET wood deadbolt applications) (Includes 1 ea. #10, #14, #16)		2403600001	\$21.00
11	2	Cover Plate Screws (#5 - 40 x 5/8" (16mm)) Wood Machine Screw (10 Pack)		5442700010	\$16.00
		Cover Plate Screws (#5 - 40 x 3/4" (19mm)) Wood Machine Screw (10 Pack)		5442900010	\$16.00
12	1	Combination Chamber Kit with Spring Return for Cross Throw Models (Includes 1 ea. #1, #2, #4, #12)		7488100001	\$95.00
		Combination Chamber Kit NO Spring Return for deadbolt Models (Includes 1 ea. #1, #2, #4, #12)		7466200001	\$95.00
		Combination Chamber Kit with Spring Return for Spring Loaded End Throw Models or Spring Loaded Cross Throw Conversion Kit Models (Includes 1 ea. #1, #2, #4, #12)		7491000001	\$95.00
		Combination Chamber Kit NO Spring Return for 2 Point End Throw Models (Includes 1 ea. #1, #2, #4, #12)		7467800001	\$95.00
13	2	Combination Chamber Screw Kit (#5 - 40 X 3/8" long (8mm))		5442800010	\$16.00
14	1	Cam Cover (Included in follower kits - see #16)		see #16	
15	1	Follower Spring (ET spring loaded bolt only) (10 Pack)		5430000010	\$16.00

9600 Series

Exploded View



Item	Qty/Lock	Description	Finish	Part Number	List Price
16	1	Follower Kit (Sheet metal/wood, CT, spring loaded bolt) (Includes 1 ea. #10, #14, #15, #16)		2450900001	\$21.00
		Follower Kit (Sheet metal/wood, ET, spring loaded bolt) (Includes 1 ea. #10, #14, #15, #16)		7457000001	\$23.00
		Follower Kit (Sheet metal, CT, deadbolt) (Includes 1 ea. #10, #16, bushing and retainer (Not Shown))		2420900001	\$21.00
		Follower Kit (Sheet metal, ET, deadbolt) (Includes 1 ea. #10, #16, bushing and retainer (Not Shown))		7410400001	\$21.00
		Follower Kit (Wood, CT, deadbolt) (Includes 1 ea. #10, #14, #16)		2404300001	\$21.00
		Follower Kit (Wood, ET, deadbolt) (Includes 1 ea. #10, #14, #16)		2403600001	\$21.00
17	1	Latch Bolt Kit (Deadbolt, Round, Sheet metal) (Includes 1 ea. #17, #18; 2 ea. #19)		7403000001	\$17.00
		Latch Bolt Kit (Deadbolt, Flat, Rectangular, Wood) (Includes 1 ea. #17, #18, #21; 2 ea. #11; 5 ea. #20)		7456100001	\$17.00
		Latch Bolt Kit (Spring Loaded Bolt, Round, Sheet metal or wood) (Includes 1 ea. #17, #18, #21; 2 ea. #19; 5 ea. #20)		7470200001	\$17.00
18	1	Bolt Guide (Included in follower kits - see #17)		see #17	
19	2	Rivets (10 Pack)		5403001810	\$16.00
20	5	Bracket Screws (Fit wood or metal) (10 Pack)		5401600010	\$16.00
21	1	Strike (fits TM/RM models) (Included in follower kits - see #17)		see #17	
22	1	Key Override Cylinder (Includes 1 ea. #22, #23) (Specify key cut)		7457300001	\$23.00
23	1	Cylinder Nut (Includes 1 ea. #22, #23)		7457300001	\$23.00
Additional Kits & Accessories					
See pages 82-86					

* Specify Finish: 03 - Bright Brass
04 - Satin Brass
26D - Satin Chrome

**Specify Key Cut

Notes:

- If an item number is included in a kit description, unless noted, that number is referencing the item number on the previous page.
 - If an item number is not shown on a picture you are referencing, then it is not used on that model.
 - Lubriplate Aero grease is the "only" lubricant that should be used.
- Parts availability may be limited on older component parts no longer used in production units.

Simplex File Guard Series





File Guard Series

Item	Qty/Lock	Description	Finish	Part Number	List Price
1		Replacement Cylinder for F2580 Series Bar		A6828SC	\$25.00
1		"Standard" Clevis Pin 3/8" Thread		F9451	\$16.00
		"Standard" Clevis Pin 3" Thread		F9452	\$17.00
1		"Swing-Away" Clevis Pin 3/8" Thread		F9453	\$16.00
		"Swing-Away" Clevis Pin 3" Thread		F9454	\$17.00
1		Notch Pin 3/8" Thread		F9460	\$16.00
		Notch Pin 3" Thread		F9463	\$17.00
1		"Standard" Notch & Clevis Pin Set 3/8" Thread (2500 Series Accessory Pack)		F9470	\$25.00
		"Standard" Notch & Clevis Pin Set 3" Thread		F9471	\$31.00
1		"Swing-Away" Notch & Clevis Pin Set 3/8" Thread (2570 Series Accessory Pack)		F9472	\$25.00
		"Swing-Away" Notch & Clevis Pin Set 3" Thread		F9473	\$31.00
1		"Build-In-Lock" Notch Pin Set 3/8" Thread (2580 Series Accessory Pack)		F9474	\$25.00
1		Reinforcing Pin Plate		F9475	\$11.00
1		Cam Cover, ET (FG Series)		2403500001	\$12.00
1		Cam, ET (FG Series)		2404200001	\$11.00
1		Bolt Retainer (FG Series)		2443600001	\$11.00
1		Follower Plate, ET (FG Series)		2443700001	\$13.00
1		Push Buttons (10 Pack) (FG Series)		3401910610	\$19.00
1		Spacer Washer (10 Pack) (FG Series)		3403700010	\$18.00
1		Lock Housing - Black - PBL (FG Series)		3413001201	\$23.00
1		Locking Bolt, Round (FG Series)		4428900001	\$12.00
1		Combination Chamber (Includes turn knob kit below) (FG Series)		7466200001	\$95.00
1		Turn Knob (Includes knob, spacer, retainer) (FG Series)		7490608301	\$21.00
1		Chamber Screw - Screw Pack (10 ea. 6-32 x 3/8", 5/16", 7/16")(FG Series)		6477600001	\$19.00
Additional Kits & Accessories			Finish	Part Number	List Price
See pages 82-86					

Notes

• Lubriplate Aero grease is the "only" lubricant that should be used.
 Parts availability may be limited on older component parts no longer used in production units.

**See Page 6 for
 How to Order instructions**

Simplex[®]

Additional Kits & Accessories

Additional Kits & Accessories	Finish	Part Number	For use with models	List Price
Installation Hardware Kit	Satin Chrome	7485926D01	5000	\$46.00
(Includes 1 ea. #3, #4, #10, #23, #38; 2 ea. #37; 4 ea. #32)	Bright Brass	748590301	5000	\$46.00
Product Documentation Kit			5000	\$25.00
Lubriplate Aero Grease Tubes		6475400001	5000 5010 1000 L1000 LP1000 EE1000 8100 3000 6200 7100 900 9600 File Guard	\$24.00
Lever Return Spring (Fits inside and outside driver (10 Pack)		5448200010	5000 5010	\$35.00
Actuator Button Spring (10 Pack)		5451400010	5000 5010	\$24.00
Tamper Proof Screw Kit (4 ea. of 3 sizes) (Includes Wrench)	Satin Chrome	6468326D41	5000	\$36.00
Tamper Proof Screw Kit (4 ea. of 3 sizes) (Includes Wrench)	Bright Brass	646830341	5000	\$36.00
Tamper Proof Screw Kit (4 ea., 3 lengths) (Includes Wrench)	Satin Chrome	6468326D01	5000	\$36.00
Tamper Proof Screw Kit (4 ea., 3 lengths) (Includes Wrench)	Bright Brass	646830301	5000	\$36.00
Best Equivalent Removable Core Cylinder	Bright Brass	2014840301	5000 5010 1000 L1000 LP1000 EE1000 8100	\$98.00
Best Equivalent Removable Core Cylinder	Antique Brass	2014840501	5000 5010 1000 L1000 LP1000 EE1000 8100	\$93.00
Best Equivalent Removable Core Cylinder	Satin Chrome	20148426D01	5000 5010 1000 L1000 LP1000 EE1000 8100	\$98.00
Wrap Plate, 10.5" (267mm) x 5" (127mm)	Satin Chrome	20423126D41	5000 1000 L1000	\$105.00
Wrap Plate, 10.5" (267mm) x 5" (127mm)	Bright Brass	2042310341	5000 1000 L1000	\$105.00
Wrap Plate, 15" (381mm) x 5" (127mm)	Satin Chrome	20423226D41	5000 1000 L1000	\$150.00
Wrap Plate, 15" (381mm) x 5" (127mm)	Bright Brass	2042320341	5000 1000 L1000	\$150.00
Weather Cover (1000/L1000/5000/E5000)	Smoke	5464400041	5000 1000 L1000 EE1000 LP1000 8100	\$89.00
Latch Extension Assembly - Converts to 3 3/4" (95mm) backset		20402200001	5000 1000 L1000	\$55.00
Latch Extension Assembly - Converts to 5" (130mm) backset		20402300001	5000 1000 L1000	\$48.00
Installation Jig (for use with 5000/1000/L1000/E5000)		6468426D01	5000 1000 L1000 8100	\$568.00
Simplex 5000/1000/L1000 Cylindrical Wood Demo Mount		20304400041	5000 1000 L1000	\$248.00
Simplex 5000 Cylindrical Acrylic Demo Mount (lock not included)		SP5000ACLMT	5000	\$433.00
6200 Filler Plate	Black only	550721901	6200	\$34.00

Additional Kits & Accessories	Finish	Part Number	Models	List Price
Installation Hardware Kit (Includes 2 ea. #21; 3 ea. #24, #25; 4 ea. #26)	Satin Chrome	6472526D01	5010	\$48.00
Installation Hardware Kit (Includes 2 ea. #21; 3 ea. #24, #25; 4 ea. #26)	Bright Brass	647250301	5010	\$48.00
Product Documentation Kit		PKG3052	5010	\$25.00
5010 Series Exit Trim Wooden Demo Mount		20305600041	5010	\$233.00

Simplex®

Additional Kits & Accessories

Additional Kits & Accessories	Finish	Part Number	For use with models	List Price
Rubber Knob Insert Kit for Die Cast Knobs		6479200001	1000	\$17.00
Best Key Override Spacer (not shown)		3800-00-3007	1000 L1000 EE100 LP1000 8100	\$36.00
Sargent Key Override Spacer (not shown)		20402800001	1000 L1000 EE100 LP1000 8100	\$36.00
Corbin-Russwin Key Override Spacer (not shown)		20402900001	1000 L1000 EE100 LP1000 8100	\$36.00
Wrap Plate, 10.5" (267mm) x 5" (127mm)	Antique Brass	2042310541	1000	\$95.00
Wrap Plate, 15" (381mm) x 5" (127mm)	Antique Brass	2042320541	1000	\$133.00
Anti-Spy Shield (1000/L1000 Series)	Black	20160008301	1000 L1000 EE100 LP1000 8100	\$63.00
3/4" (19 mm) Flat Front Latch - carries 3-hour UL/ULC	Bright Brass	2016050301	1000 L1000	\$95.00
3/4" (19 mm) Flat Front Latch - carries 3-hour UL/ULC	Antique Brass	2016050501	1000 L1000	\$95.00
3/4" (19 mm) Flat Front Latch - carries 3-hour UL/ULC	Satin Chrome	20160526D01	1000 L1000	\$95.00
3/4" (19 mm) Brass Latch - carries 3-hour UL/ULC fire rating for "A"	Bright Brass	2040040301	1000 L1000	\$95.00
3/4" (19 mm) Brass Latch - carries 3-hour UL/ULC fire rating for "A"	Antique Brass	2040040501	1000 L1000	\$95.00
3/4" (19 mm) Brass Latch - carries 3-hour UL/ULC fire rating for "A"	Satin Chrome	20400426D01	1000 L1000	\$95.00
1/2" (13 mm) Brass Latch - carries 3-hour UL/ULC fire rating for "A"	Satin Chrome	5507126D01	1000 L1000	\$57.00
1/2" (13 mm) Brass Latch - carries 3-hour UL/ULC fire rating for "A"	Bright Brass	550710301	1000 L1000	\$57.00
1/2" (13 mm) Brass Latch - carries 3-hour UL/ULC fire rating for "A"	Antique Brass	550710501	1000 L1000	\$57.00
Corbin / Russwin Conversion Assembly (C)	Satin Chrome	20141726D01	1000	\$193.00
Corbin / Russwin Conversion Assembly (C)	Bright Chrome	20141702601	1000	\$193.00
Corbin / Russwin Conversion Assembly (C)	Bright Brass	2014170301	1000	\$193.00
Corbin / Russwin Conversion Assembly (C)	Antique Brass	2014170501	1000	\$193.00
Best / Falcon / Arrow / Eagle / KSP / Lloyd Matheson	Satin Chrome	20149026D01	1000	\$193.00
Best / Falcon / Arrow / Eagle / KSP / Lloyd Matheson	Bright Chrome	20149002601	1000	\$193.00
Best / Falcon / Arrow / Eagle / KSP / Lloyd Matheson	Bright Brass	2014900301	1000	\$193.00
Best / Falcon / Arrow / Eagle / KSP / Lloyd Matheson	Antique Brass	2014900501	1000	\$193.00
ASSA / Medeco / Yale Conversion Assembly-Request Spacer 201569	Satin Chrome	20151926D01	1000	\$193.00
ASSA / Medeco / Yale Conversion Assembly-Request Spacer 201569	Bright Chrome	20151902601	1000	\$193.00
ASSA / Medeco / Yale Conversion Assembly-Request Spacer 201569	Bright Brass	2015190301	1000	\$193.00
ASSA / Medeco / Yale Conversion Assembly-Request Spacer 201569	Antique Brass	2015190501	1000	\$193.00
Sargent Conversion Assembly (R) (Includes 1 ea. #22, #34,	Satin Chrome	20153226D01	1000	\$193.00
Sargent Conversion Assembly (R) (Includes 1 ea. #22, #34,	Bright Chrome	20153202601	1000	\$193.00
Sargent Conversion Assembly (R) (Includes 1 ea. #22, #34,	Bright Brass	2015320301	1000	\$193.00
Sargent Conversion Assembly (R) (Includes 1 ea. #22, #34,	Antique Brass	2015320501	1000	\$193.00
Schlage Conversion Assembly (S) (Includes 1 ea. #22, #34	Satin Chrome	20155826D01	1000	\$193.00
Schlage Conversion Assembly (S) (Includes 1 ea. #22, #34	Bright Chrome	20155802601	1000	\$193.00
Schlage Conversion Assembly (S) (Includes 1 ea. #22, #34	Bright Brass	2015580301	1000	\$193.00
Schlage Conversion Assembly (S) (Includes 1 ea. #22, #34	Antique Brass	2015580501	1000	\$193.00

Simplex®

Additional Kits & Accessories

Additional Kits & Accessories	Finish	Part Number	For use with models	List Price
Wrap Plate, 10.5" (267mm) x 5" (127mm)	Antique Brass	2042340541	L1000	\$95.00
Wrap Plate, 15" (381mm) x 5" (127mm)	Antique Brass	2012320541	L1000	\$133.00

Use these conversion assemblies to convert an existing 1000 Series lock from standard to key override, or from one key override to another.

Time Mode Option Parts	Finish	Part Number	For use with models	List Price
Pneumatic Timer with Microswitch	NA	20021000001	1000	\$351.00
Modified Chamber Link	NA	20157500001	1000	\$34.00
Pneumatic Timer without Microswitch	NA	20157700001	1000	\$256.00
Spacer	NA	20157800001	1000	\$10.00
Modified Cover Plate Assembly	NA	20158000001	1000	\$47.00

Lever Conversion Assemblies	Finish	Part Number	For use with models	List Price
Schlage Conversion Assembly (S) - RH	Satin Chrome	20184526D01	L1000	\$248.00
Schlage Conversion Assembly (S) - RH	Bright Chrome	20184502601	L1000	\$248.00
Schlage Conversion Assembly (S) - RH	Bright Brass	2018450301	L1000	\$248.00
Schlage Conversion Assembly (S) - RH	Antique Brass	2018450501	L1000	\$248.00
Schlage Conversion Assembly (S) - LH	Satin Chrome	20184626D01	L1000	\$248.00
Schlage Conversion Assembly (S) - LH	Bright Chrome	20184602601	L1000	\$248.00
Schlage Conversion Assembly (S) - LH	Bright Brass	2018460301	L1000	\$248.00
Schlage Conversion Assembly (S) - LH	Antique Brass	2018460501	L1000	\$248.00
Sargent Conversion Assembly (R) - RH	Satin Chrome	20193126D01	L1000	\$248.00
Sargent Conversion Assembly (R) - RH	Bright Chrome	20193102601	L1000	\$248.00
Sargent Conversion Assembly (R) - RH	Bright Brass	2019310301	L1000	\$248.00
Sargent Conversion Assembly (R) - RH	Antique Brass	2019310501	L1000	\$248.00
Sargent Conversion Assembly (R) - LH	Satin Chrome	20193226D01	L1000	\$248.00
Sargent Conversion Assembly (R) - LH	Bright Chrome	20193202601	L1000	\$248.00
Sargent Conversion Assembly (R) - LH	Bright Brass	2019320301	L1000	\$248.00
Sargent Conversion Assembly (R) - LH	Antique Brass	2019320501	L1000	\$248.00
Medeco / ASSA / Yale Conversion Assembly -	Satin Chrome	20193326D01	L1000	\$248.00
Medeco / ASSA / Yale Conversion Assembly -	Bright Chrome	20193302601	L1000	\$248.00
Medeco / ASSA / Yale Conversion Assembly -	Bright Brass	2019330301	L1000	\$248.00
Medeco / ASSA / Yale Conversion Assembly -	Antique Brass	2019330501	L1000	\$248.00
Medeco / ASSA / Yale Conversion Assembly -	Satin Chrome	20193426D01	L1000	\$248.00
Medeco / ASSA / Yale Conversion Assembly -	Bright Chrome	20193402601	L1000	\$248.00
Medeco / ASSA / Yale Conversion Assembly -	Bright Brass	2019340301	L1000	\$248.00
Medeco / ASSA / Yale Conversion Assembly -	Antique Brass	2019340501	L1000	\$248.00
Best / Falcon / Arrow / Eagle / KSP / Lloyd Matheson	Satin Chrome	20193526D01	L1000	\$248.00
Best / Falcon / Arrow / Eagle / KSP / Lloyd Matheson	Bright Chrome	20193502601	L1000	\$248.00

*When ordering an outside lever assembly for older locks, it may be necessary to order a respective outside drive sleeve assembly. (See Conversion Assemblies)

Simplex®

Additional Kits & Accessories

Lever Conversion Assemblies	Finish	Part Number	For use with models	List Price
Best / Falcon / Arrow / Eagle / KSP / Lloyd Matheson	Bright Brass	2019350301	L1000	\$248.00
Best / Falcon / Arrow / Eagle / KSP / Lloyd Matheson	Antique Brass	2019350501	L1000	\$248.00
Best / Falcon / Arrow / Eagle / KSP / Lloyd Matheson	Satin Chrome	20193626D01	L1000	\$248.00
Best / Falcon / Arrow / Eagle / KSP / Lloyd Matheson	Bright Chrome	20193602601	L1000	\$248.00
Best / Falcon / Arrow / Eagle / KSP / Lloyd Matheson	Bright Brass	2019360301	L1000	\$248.00
Best / Falcon / Arrow / Eagle / KSP / Lloyd Matheson	Antique Brass	2019360501	L1000	\$248.00
Corbin / Russwin Conversion Assembly (C) - RH	Satin Chrome	20193726D01	L1000	\$248.00
Corbin / Russwin Conversion Assembly (C) - RH	Bright Chrome	20193702601	L1000	\$248.00
Corbin / Russwin Conversion Assembly (C) - RH	Bright Brass	2019370301	L1000	\$248.00
Corbin / Russwin Conversion Assembly (C) - RH	Antique Brass	2019370501	L1000	\$248.00
Corbin / Russwin Conversion Assembly (C) - LH	Satin Chrome	20193826D01	L1000	\$248.00
Corbin / Russwin Conversion Assembly (C) - LH	Bright Chrome	20193802601	L1000	\$248.00
Corbin / Russwin Conversion Assembly (C) - LH	Bright Brass	2019380301	L1000	\$248.00
Corbin / Russwin Conversion Assembly (C) - LH	Antique Brass	2019380501	L1000	\$248.00

Simplex Wood Mount Demos	Finish	Part Number	For use with models	List Price
Simplex EE1000 Series Wooden Demo Mount		20408600041	EE1000	\$240.00
Simplex 8100 Mortise Wood Demo Mount (lock not included)		20408300041	8100	\$240.00
Simplex LP1000 Exit Trim Wood Demo Mount (lock not included)		20408700041	LP1000	\$233.00
Simplex 2015 Wooden Demo Mount		20409600041	2015	\$233.00
Simplex 3000 Series Narrow Stile Demo Mount (Includes Adams Rite latch and paddle)		74378CH	3000	\$1,008.00
Simplex 900 Series Wooden Demo Mount		20305300041	900	\$233.00
Simplex 7100 Series Wooden Demo Mount - Dual Mount Displays 1 ea. 7108/7104 (Locks Not Included)		20418900041	7100	\$236.00
Simplex 7100 Series Wooden Demo Mount - 7106 Model Only - (Lock Not Included)		20409200041	7100	\$236.00
Simplex 6200 Series Wooden Demo Mount		20409400041	6200	\$233.00
Simplex 3000 Series Narrow Stile Demo Mount (Includes Adams Rite latch and paddle)		74378CH	3000	\$1,008.00

NOTE: Parts availability may be limited on older component parts no longer used in production units.

Simplex®

Additional Kits & Accessories

Additional Kits & Accessories	Finish	Part Number	For use with models	List Price
Adapter Kit for Doors with Metal Frames (Includes riser plates and surface strike) - Old Part # 74464/74468)	Satin Brass	8000441	900	\$55.00
Adapter Kit for Doors with Metal Frames (Includes riser plates and surface strike) - Old Part # 74464/74468)	Satin Chrome	80026D41	900	\$55.00
Face Plate Shield (not for Key Override) Inhibits unauthorized observation of the combination - Satin Chrome finish only (Old part# 2408100001)	Satin Chrome	80526D41	900	\$48.00
Master Keys - For Key Override Models (Old part# 54266-1)		54266111	900	\$23.00
Cut Keys - Service Keys for Key Override Models (Old part# 54266-2)		54266211	900	\$14.00
Blank Keys		54266	900	\$10.00
Inside Lever Handle	Satin Brass	744370401	900	\$55.00
Inside Lever Handle	Satin Chrome	7443726D01	900	\$55.00
Panic Bar Release Kit	Satin Brass	744380401	900	\$55.00
Inside Lever Handle	Satin Chrome	7443826D01	900	\$55.00
Strike Spacers (10 Pack)	Satin Brass	240950410	900	\$18.00
Strike Spacers (10 Pack)	Satin Chrome	2409526D10	900	\$17.00
Key Override Tailpiece (5 Pack)		2408600005	900	\$25.00

Additional Kits & Accessories	Finish	Part Number	For use with models	List Price
Accessory Pack (FG Series/F250x Series))		F25002	File Guard	\$26.00
Accessory Pack (F257x Series)		F25703	File Guard	\$26.00
Accessory Pack (F258x Series)		F25804	File Guard	\$26.00



Door
Hardware



Electronic
Access & Data



Mechanical
Key Systems



Lodging
Systems



Entrance
Systems



Safe
Locks



Service

Our Sustainability Commitment

We are committed to fostering a sustainable development along our entire value chain in line with our economic, environmental and social responsibilities toward current and future generations.

