



Padlocks & Deadlocks

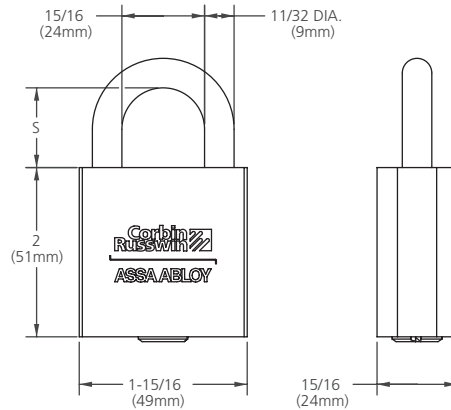
Product Catalog

Experience a safer
and more open world

Padlocks PL5000 Series

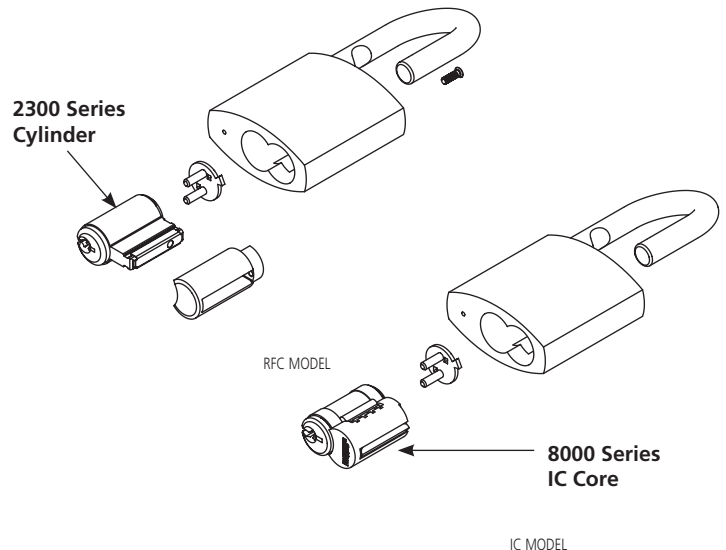
Padlocks & Deadlocks

Rekeyable Fixed Core (RFC) and Interchangeable Core (IC) Models



Model	Series	Shackle Clearance S
RFC	PL5000R PL5100R PL5200R	Std: 7/8" (22mm) 258: 2-5/8" (67mm)
IC	PL5070 PL5170 PL5270	

Padlock Parts	
756F963	Throw member for IC & RFC padlocks (A)
793F592 (606 finish)	Cylinder sleeve for RFC padlocks (B)
438F41-8	Mounting screw for RFC padlocks (C)



Features

Case

Extruded brass.

Shackle

11/32" (9mm) diameter hardened steel (PL5000 Series), brass (PL5100 Series) or stainless steel (PL5200 Series).

Locking

Ball-bearing locking heel and toe.

Cylinder

RFC model: 6-pin Fixed Core (2300)
IC model: 6-Pin, Security, Pyramid & Access 3 (8000 Series)
L4 keyway standard

Keying Features Available

Master keying
Construction master keying
Interchangeable core (IC) 6-pin
IC security
Concealed key control
Visual key control (not for HS)
Pyramid (IC only)
Access 3® (IC only)

Keys

Two nickel silver standard.

Warranty

One-year limited.

Finish

BHMA 606 Satin Brass (US4) only.

Padlocks PL5000 Series

Padlocks & Deadlocks

Ordering Examples

Stock Order

Quantity	Series/Function
10	PL5000R

Contract/Detailed Order

Quantity	Keypad	Series/Function	Shackle Length	Misc. Options
4	AJ3	PL5080	258	M45 x S19866

Quick Codes

Series/Function

Description	Series/Function		
	Hardened Steel Shackle	Brass Shackle	Stainless Steel Shackle
Rekeyable Fixed Core (RFC)	PL5000R	PL5100R	PL5200R
Interchangeable core (IC) less core	PL5070	PL5170	PL5270
IC 6-pin	PL5080	PL5180	PL5280
IC security	PL5090	PL5190	PL5290
Pyramid High Security (IC)	PL5030	PL5130	PL5230
Pyramid Security (IC)	PL5037	PL5137	PL5237

Miscellaneous Options

Description	Specify
Chain and clevis attached	M44
Custom die stamped case (specify existing die number, or provide lettering specifications or artwork)	M45 x #

Cylinder Only

Description	Specify
Removable Core	
Standard 6-pin	2300
Interchangeable Core	
Standard 6-pin	8000
Security	8010
Pyramid High Security	8020
Pyramid Security	8027
Access 3 [®] - Patented	8500
Access 3 [®] - Security	8600
Access 3 [®] - High Security	8700

Cylinder and Keying

Description	Specify
Keyed random (standard for Pyramid & IC security padlocks)	KR
0-bitted (not available for Pyramid & IC security padlocks)	(standard)
Construction Master Keyed (RFC & IC 6-pin padlocks only)	CMK
Temporary construction core (Red) (IC 6-pin padlocks only)	CT6R
Temporary Construction Core (Blue) (IC 6-pin padlocks only)	CT6B
Temporary Construction Core (Green) (IC 6-pin padlocks only)	CT6G
Visual key control (VKC)	
- Keys only	VKC1
- Locks and keys (RFC & IC 6-pin padlocks only)	VKC2
- Locks only (RFC & IC 6-pin padlocks only)	VKC3
Concealed key control (CKC) (IC 6-pin & IC security padlocks only)	
- CKC cores and VKC keys	CKC2
- CKC cores only	CKC3
2 keys per lock	(standard)
More than 2 keys	KY# (e.g., KY6)
Rekeyable FC (RFC) Less Cylinder	LC
Access 3 [®] Patented IC	ACP
Access 3 [®] Security IC	ACS
Access 3 [®] High Security IC	ACHS

Shackle Clearance

Description	Specify
7/8" (22mm)	(standard)
2-5/8" (67mm)	258