

# MARKAR AND PEMKO CATALOG

**PEMKO**  
**ASSA ABLOY**

Experience a safer  
and more open world

<b>General Information</b>	<b>2</b>		
About the Pemko Product Line	8	Threshold with Flexible Joint	116
The West Coast Stocking Program	9	Concealed Fastener Thresholds	117
General Information & Terms	10	Eco-V™ Thresholds	118
Materials & Finishes Information	12	Adjustable-Width Eco-V™ Threshold	119
Product Testing / Classification Symbols	13	Heavy Duty Latching Panic Exit Saddle Threshold	120
Barrier-Free Systems	15	Heavy Duty Thresholds	120
ANSI/BHMA Standards	16	Modular Heavy Duty Thresholds	121
		Floor Plates/Safety Treads	122
<b>Markar Continuous Pin and Barrel Hinges</b>	<b>17</b>	Aluminum Plates	123
General Information	18	Carpet Separators	124
Hinge Finishes	20	Floor Plate Supports/Accessories and Elevators	125
Hinge Numbering System and Standard Lengths	21	Threshold Stop Strips	126
Continuous Hinge Modifications	22	Floor Closer Thresholds/Cover Plate Assemblies	127
3500 Series Stainless Steel Pin and Barrel Security Hinges	25	ANSI/BHMA A156.21 Thresholds - Cross Reference	128
600 Series Stainless Steel Pin and Barrel Hinges	29		
300 Series Stainless Steel Pin and Barrel Hinges	30	<b>Modular Ramps:</b>	<b>131</b>
300 Series Stainless Steel Edge Guards	52	Ramp Ordering Information	132
200 Series Carbon Steel Pin and Barrel Hinges	55	Modular Ramp Threshold Assemblies - Flush Applications	133
100 Series Aluminum Pin and Barrel Continuous Hinges	60	Modular Ramp Threshold Assemblies - Offset (7" Top Plate)	134
900 Series Toilet Partition Hinges	65	Modular Ramp Threshold Assemblies - Offset (3½" Top Plate)	135
400 Series Toilet Partition Hinges	67	Modular Ramp Threshold Components	136
Pivots	69	Modular Ramp Threshold Assemblies - Variables	137
Flat Astragals	70	Risers for Modular Ramps	137
Fasteners and Fastener Packs	71	Miter Returns For All Modular Ramp Thresholds	138
Tools, Parts, and Accessories	75	Barrier-Free Ramp Thresholds	139
Custom Lengths	76	Fire Retardant and Styrene Butadiene Rubber Ramp Thresholds	140
		Rubber Ramp Miter Returns	141
<b>PemkoHinge® Geared Continuous Hinges:</b>	<b>77</b>	Recycled Rubber Ramp Assembly	141
What is PemkoHinge®?	78		
Ordering Chart	78	<b>Door Bottoms:</b>	<b>143</b>
BHMA Certification Program	79	Automatic Door Bottoms	144
Hospital Tip	79	Residential Automatic Door Bottoms	148
Cycle Requirements and Weight Bearing	79	End Plates for Automatic Door Bottoms	149
UL Fire Labeling	79	Excessive Gap Door Bottom Solutions	150
Options for Electrically Modified Continuous Geared Hinges	80	Excessive Gap Door Top Solutions	150
X-Series PemkoHinge®	81	Eco-V™ Door Shoes	150
Offset Hinges	82	Door Shoes	151
Full Mortise Hinges	83	Thermally Broken Door Shoe	153
Special Full Mortise Hinges	84	Door Sweeps for Hollow Metal Doors	154
Kawneer Full Mortise Hinges	85	Fabrication Options for Door Shoes	154
Raised Gear Hinge	85	Door Bottom Sweeps	155
Full Mortise Safety Hinges	86	Stainless Steel Door Bottom Sweeps	158
Wide Throw Full Mortise Hinges	87	Specialty Door Bottoms	159
Wide Throw Half Surface Hinges	87	Door Top Weatherstrip	159
Half Surface Hinges	88	Heavy Duty Door Bumper	159
Half Mortise Hinges	88		
Full Surface Hinges	89	<b>Astragals &amp; Meeting Stiles</b>	<b>161</b>
Full Surface Center Pivot Hinges	89	Astragal and Meeting Stile Gasketing - Split Astragals	162
Full Surface Balanced Pivot Hinge	89	Split Astragals with Snap Covers - Concealed Fasteners	164
Full Mortise Residential Hinges	90	Meeting Stile Gasketing	164
Firepins™	91	Adhesive Astragal/Meeting Stile Seals	166
Double Swing Hinge	92	Adjustable Astragals	166
Emergency Release Stop	92	"T" and Overlapping Astragals	167
1000 Series Aluminum Double Swing Hinge	93	Adhesive-Backed Mullion Gasketing	168
Power Transfer Units	94	Adhesive-Backed Astragal Seal	168
		Offset Security Bar	168
<b>Commercial Thresholds:</b>	<b>95</b>	Locking Astragals	169
Saddle Thresholds	96	Outswing Locking Astragals	171
Half Saddle Thresholds	101		
Offset Saddles and Offset Half Saddles	103	<b>Brush Gasketing:</b>	<b>173</b>
Stainless Steel Saddles	104	180° Aluminum Retainers	174
Stainless Steel Half Saddles and Offset Saddles	104	180° Concealed Fastener Retainers	175
Thermal Break Saddles	105	90° Aluminum Retainers	176
Stainless Steel Thermal Break Threshold	108	45° Concealed Fastener Retainers	176
Latching Panic Exit Saddles	109	Mortise Retainers	178
Latching Panic Exit Saddles - Thermal Break	113	Aluminum Retainer with Rain Drip	178
Acoustic Thresholds	116	Oak Retainers	178
		Meeting Stiles	179

<b>Perimeter Gasketing:</b>	<b>181</b>		
Standard Perimeter Gasketing	182	TBS250A-SW Series	237
Perimeter Gasket Solutions for Sliding Doors	185	H600S-OH Series	238
Stainless Steel Perimeter Gasketing	186	H600S-SW Series	239
Adjustable Jamb Gasketing	187	H800S-OH Series	240
Heavy Duty Interlock Perimeter Gasketing	187	H800S-SW Series	241
Heavy Duty Perimeter Gasketing - Head Section	188	H1100A-OH Series	242
Heavy Duty Perimeter Gasketing - Standard Jamb	189	H1100A-SW Series	243
Perimeter Gasket Jamb Brackets	189	Husky Sliding Glass Series	244
Snap Cover Perimeter Gasketing With Concealed Fasteners	190	Pocket Frame Kit	245
Kerf-In Weatherstrip	191	Folding 100 Series	246
Magnetic Weatherstrip	192	Pacer Interior End Fold Series	247
Adhesive Perimeter Gasketing	192	Flexirol Interior End Fold Series	248
MicroShield® Antimicrobial Adhesive Gasketing	193	Stainless Steel Sliding Track Hardware System for Wood Doors	249
Excessive Gap Perimeter Solution	194	Stainless Steel Sliding Track Hardware System for Glass Doors	258
Interlock Weatherstrip For Wood Windows	194	Builders Series Flat Track for Wood Doors	260
Interlock Weatherstrip For Wood Doors	195	Designer Series Flat Track for Wood Doors	262
Cushion/Spring Weatherstrip	195	SIM 150 - 2 Door	264
Fasteners for Cushion, Spring and Interlock Weatherstrip	195	SIM 150 - 3 Door	265
Privacy Seals for Sliding Doors	196	Cascading Door with Sample Configurations	266
<b>Adhesive Gasketing:</b>	<b>197</b>	SDL Privacy Barn Door Lock	267
SiliconSeal Adhesive-Backed Fire/Smoke Gasketing	198	Options and Accessories	268
PemkoPrene® Adhesive-Backed Fire/Smoke Gasketing	199	Privacy Seal Sets	268
SiliconSeal Adhesive-Backed Meeting Stile Gasketing	199	Soft Close Systems	269
MicroShield® Antimicrobial Gasketing	200	<b>Residential Thresholds</b>	<b>273</b>
Hot Smoke Seal/SiliconSeal Combination Fire/Smoke Sealing	200	Interlocking Thresholds and Caps	274
<b>Hospitality Products:</b>	<b>201</b>	Interlocking Thresholds - Water Return	275
Privacy Door Latch, Bracket and Decals	202	Interlocking Hooks	275
SiliconSeal Adhesive Gasketing	203	Adjustable Eco-V™ Top Thresholds	276
Automatic Door Bottoms: Acoustic	204	Eco-V™ Top Thresholds	276
Door Shoes	204	Residential Saddles	276
Acoustic Adhesive Corner Pads	204	Bumper Thresholds for Outswing Doors	277
Automatic Door Bottoms	205	Squareback Thresholds	277
Eco-V™ Thresholds	206	Oak Thresholds	278
Adjustable-Width Eco-V™ Threshold	207	Sill Nosings	278
Stainless Steel Sliding Track Hardware System	208	Adjustable Aluminum Top Sills	279
Cascading Door with Sample Configurations	209	Adjustable Oak Top Sills	280
SHS80 System	210	Outswing Adjustable Oak Top Sills	281
Bypass Track Series	211	Residential All-Aluminum Adjustable Sills	281
<b>Acoustic Products:</b>	<b>213</b>	Fixed Eco-V™ Top Residential Sills	282
Basic Acoustic Information	214	Residential All-Aluminum Fixed Sills	282
Acoustic Seal Sets	216	Outswing Fixed Bumper Sills	283
Acoustic Thresholds	217	Extenders For All Residential Sills	283
Saddle Thresholds	218	<b>Floor Molding, Trim, &amp; Handyshapes™</b>	<b>285</b>
Automatic Door Bottoms - Acoustic	219	Carpet Bar and Seam Binding	286
Door Shoes	219	Stair Nosing	286
Acoustic Adhesive Corner Pads	219	Oak Seam Binding, Floor Edging, and Carpet Trim	286
Standard Perimeter Gasketing	220	<b>Weatherization Products</b>	<b>287</b>
SiliconSeal Adhesive-Backed Gasketing	220	Foam Tape	288
<b>Pemko Sliding &amp; Folding Hardware:</b>	<b>221</b>	Neoprene Tape	288
H180A Series	222	Miscellaneous Tape	289
SHS80 Series	223	Spring Bronze Weatherstrip	289
Sliding 200 Series	224	Garage Door Weatherstrip	289
Side Wall Track (SWT) System	225	<b>Fire Glazing Tape</b>	<b>291</b>
Bypass Track Series	228	Fire Glazing Tape	292
SIM200A Series	229	Fire Glazing Tape Applications	293
LP200 Series	230	<b>Door &amp; Frame Accessories</b>	<b>299</b>
Sirocco Series	231	Glazing Bead/Spreader Bar	300
H300S-OH Series	232	Reinforcements - Fillers	300
H300S-SW Series	233	Reinforcements - Misc.	301
H440A-OH Series	234		
H440A-SW Series	235		
TBS250A-OH Series	236		

800-824-3018 | [www.pemko.com](http://www.pemko.com)

Check the web site for the up-to-date catalog

Copyright © 2015-2023, ASSA ABLOY Accessories and Door Controls Group, Inc., an ASSA ABLOY Group company. All rights reserved.  
 Reproduction in whole or in part without the express written permission of ASSA ABLOY Accessories and Door Controls Group, Inc. is prohibited.

**PEMKO**  
**ASSA ABLOY**

Experience a safer  
 and more open world

Product	Index	Product	Index	Product	Index	Product	Index	Product	Index
1A/290.....	233	70D-100.....	195	151.....	96	217.....	151	256.....	102
1A/290/EC.....	232	70E-99.....	195	151.....	218	218.....	276	256x6.....	100
1A/301.....	239	72.....	252	154.....	98	218OAK.....	278	256x6_FG.....	105
1A/301/EC.....	238	73.....	195	154.....	218	219.....	276	257.....	139
1A/550.....	243	74.....	195	154SS.....	104	219OAK.....	278	257x259.....	127
1AX/290.....	233	75.....	195	157.....	103	221.....	153	257x259.....	139
1AX/301.....	239	82.....	253	158.....	103	222.....	154	259.....	139
1AX/301.....	241	89/2N.....	232	158SS.....	104	223.....	152	270.....	96
1B.....	235	92.....	254	159.....	111	227.....	122	271.....	96
1BX.....	235	94A.....	222	166.....	98	228.....	122	272.....	96
2.....	13	94A.....	232	169.....	98	229.....	122	273.....	101
2P.....	194	94A.....	246	170.....	98	230.....	124	273x3_FG.....	105
3A/290.....	232	94A.....	268	171.....	99	234.....	151	273x4_FG.....	105
3A/301.....	238	101.....	274	172.....	99	236.....	124	273x224_FG.....	114
3A/301.....	240	102N.....	222	173.....	96	249.....	276	273x292_FGPK.....	115
3AX/290.....	232	102N.....	232	174.....	124	250.....	276	274.....	101
3AX/301.....	238	102N.....	249	175.....	98	252.....	102	274x4.....	97
3AX/301.....	240	102N.....	260	175.....	218	252SS.....	104	274x4_FG.....	105
4C.....	194	102N.....	268	175SS.....	104	252x2_FG.....	106	274x4x270.....	127
4P.....	194	102WA.....	222	176.....	99	252x2SSFG.....	108	274x4x271.....	127
8-12/SN.....	244	102WA.....	224	176.....	127	252x3_FG.....	106	274x224_FG.....	114
10.....	10	102WA.....	229	176x170.....	127	252x3SSFG.....	108	274x292_FGPK.....	115
10.....	194	102WA.....	233	176x171.....	127	252x4SSFG.....	108	276.....	97
12.....	258	102WA.....	235	177.....	111	252x226.....	112	276.....	127
14/1.....	123	102WA.....	241	179.....	110	252x226_FG.....	113	276x270.....	127
18/1.....	123	102WA.....	268	181.....	111	253.....	102	276x271.....	127
21/550/P.....	248	102WN.....	222	182.....	103	253SS.....	104	277.....	110
21BO/4.....	247	102WN.....	229	183.....	125	253x3_FG.....	106	278.....	101
21B/P.....	247	102WN.....	233	184.....	126	253x3SS FG.....	108	278x224_FG.....	114
21N/94.....	247	102WN.....	235	185.....	112	253x4_FG.....	106	278x292_FGPK.....	115
21R/94.....	248	102WN.....	239	190.....	122	253x4SS FG.....	108	279.....	101
30.....	8	102WN.....	241	191.....	122	253x6_FG.....	107	279x224_FG.....	114
30.....	195	102WN.....	260	192.....	122	253x226_FG.....	113	279x292_FGPK.....	115
32.....	259	106HF/94.....	246	193.....	122	254.....	102	280.....	222
41M.....	195	106N/94.....	268	193x2/195.....	127	254SS.....	104	280.....	229
43.....	195	106R/94.....	222	195.....	125	254x4.....	100	280.....	246
52.....	11	106R/94.....	232	196.....	125	254x4_FG.....	107	280_SWF.....	225
56.....	156	106R/94.....	268	196.....	159	254x4SS FG.....	108	280_SWT.....	225
57.....	156	108.....	274	200.....	125	254x4x170.....	127	280_SWTKIT.....	225
57A/N.....	240	110.....	274	206.....	276	254x4x171.....	127	281.....	223
57A/S.....	238	111.....	255	208.....	276	254x5_FG.....	107	281.....	229
57B.....	234	114.....	274	209.....	151	254x226.....	112	281.....	244
57K/N.....	232	120.....	274	210.....	151	254x226_FG.....	113	281.....	246
61.....	275	136.....	275	211.....	151	255.....	102	281.....	268
62.....	249	142.....	275	212.....	276	255x5.....	100	282.....	125
66.....	275	145.....	275	215.....	151	255x5_FG.....	106	282HD.....	246
68.....	159	146.....	275	216.....	151	255x 226.....	112	283.....	125
70C-100.....	195	149.....	277	216_FG.....	153	255x226_FG.....	113	283.....	246

Product	Index	Product	Index	Product	Index	Product	Index	Product	Index
284D	244	324	278	601H	223	2051	277	2755	101
285	184	325XGSS	150	601H	229	2052	277	2802	209
287R1-KIT	222	326	278	601H	244	2053	277	2802	228
287R1-KIT	224	327	278	601H	266	2054	277	2802	266
287R1-KIT	228	330	184	601H	268	2113	152	2802BT	228
289B	246	331	195	601P	234	2113	204	2802BT	268
289T	246	332	183	650	117	2120	286	2803	264
290	126	335	187	651	117	2132	286	2812	209
290	189	336	187	671	117	2132W	286	2812	228
290	232	344	159	766	103	2134	286	2812	266
294	185	345	156	766x3_FG	107	2170	150	2812	268
296	184	345	157	950	185	2173	152	2815_M	192
297	162	345	178	950	196	2173	204	2891	188
297	182	346	159	971A	222	2211	153	2892	188
300	165	347	159	971A	229	2212	153	2893	188
301	238	350	187	971A	232	2212	219	2902	189
303	162	351	166	971A	234	2219	286	2903	189
303	182	354	166	971A	238	2219W	286	3151	155
303	220	355	167	971A	240	2221	154	3151	184
305	162	356	167	971A	242	2266	122	3151SS	158
305	183	357	167	971A	246	2286	122	3261	278
305SS	162	359	167	971A	268	2343	152	3443	171
305SS	186	368	155	987	11	2343	204	3444	171
306	185	369	165	1075C	222	2364	124	3452	156
307	156	371	165	1076	209	2500W	278	3452	157
308	156	372	165	1076	266	2500W	286	3452	178
309	185	375	167	1547	98	2548	99	3493	168
310	163	375	183	1547	218	2548	127	3494	168
311CIN	163	379	187	1710	99	2548x170	127	3495	170
312	184	394	185	1715	120	2548x171	127	3496	170
312	220	394	196	1716	121	2549	100	3572	168
313	159	403/2	247	1717	121	2550	100	3692	152
313	164	405	148	1718	121	2555	102	3692	204
314	159	411	147	1719	121	2565	102	3692	219
314	164	411	205	1842	126	2705	120	4131	146
315	155	412	146	1855	111	2715	120	4131	205
315	184	420	147	1951	124	2716	120	4301	146
315	220	434	147	2001	109	2727	103	5025	178
315SS	158	550A	242	2002	109	2746	101	5041	178
315SS	186	550A	248	2005	109	2746x6	97	5061	178
316	163	556/21	248	2006	109	2746x6_FG	105	5100	178
316	182	556/57	242	2006STC	116	2746x292_FGPK	115	5110	168
317	159	566	103	2006STC_	217	2748	97	8451	283
319	183	566x3_FG	107	2008	116	2748	127	8452	283
319SS	186	573x5_FG	116	2008	217	2748x270	127	18041	163
321	155	600A	234	2009	110	2748x271	127	18041	175
321SS	158	600A	247	2009	217	2749	97	18041	179
322	187	601H	209	2010	110	2750	97	18050	175

800-824-3018 | [www.pemko.com](http://www.pemko.com)

Check the web site for the up-to-date catalog

Copyright © 2015-2023, ASSA ABLOY Accessories and Door Controls Group, Inc., an ASSA ABLOY Group company. All rights reserved.  
 Reproduction in whole or in part without the express written permission of ASSA ABLOY Accessories and Door Controls Group, Inc. is prohibited.

**PEMKO**  
**ASSA ABLOY**

Experience a safer  
 and more open world

Product	Index	Product	Index	Product	Index	Product	Index	Product	Index
18061	157	90137	176	EV2322	118	FM_SLISF	86	HG306	38
18061	163	94518	279	EV2322	206	FS	89	HG310	40
18061	175	94518_W	280	EV2325	118	FS101	61	HG311	41
18061	179	95518	279	EV2325	206	FS102	62	HG315	42
18062	175	95518_W	280	EV2326	118	FS201	56	HG322	44
18062W	178	293100	157	EV2326	206	FS202	57	HG323	45
18100	157	293100	175	EXT2	283	FS301	33	HG326	47
18100	175	ACP112	204	EXT3	283	FS302	34	HG329	49
18100W	178	ACP112	219	EXT3/4	283	FS321	43	HG3505	28
18137	157	ADJ232V8	119	F134	222	FS402	68	HH3/290	232
18137	174	ADJ232V8	207	F134	228	FS902	66	HH3/301	238
18175	174	ADJ232V14	119	F134	264	FS910	66	HM	88
18250	174	ADJ232V14	207	F134	268	FS3501	26	HM104	64
18400	174	ADJ232x2325V8	119	F160C	234	FS3502	27	HM204	59
19125	123	ADJ232x2325V8	207	F160ECP	234	FS_BP	89	HM304	36
29310	164	AM88	193	F200C	235	FS_CP	89	HS	88
29310	190	AM88	200	F200ECP	235	FS/SC309	39	HS103	63
29313	190	B1921	69	FA68	70	G60 to G70	258	HS203	58
29324	164	B1923	69	FA70	70	GLASSGUIDE	258	HS303	35
29324	175	BAR	249	FA80	70	GS2-20PK	300	HSS20XGxS773	194
29324	179	BKT050	189	FG3000S45	292	GS3-20PK	300	HSS1000	200
29326	164	BKT075	189	FG3000S45	293	GS4-20PK	300	HSS2000	200
29326	175	BKT1532	189	FG3000S45	294	H180A	222	HSS2000	297
29326	179	BRACKET2	249	FG3000S45	295	H200	224	HSS2000xS44	200
29326	190	CB1-50PK	300	FG3000S45	298	H200PACK	224	HSS2000xS88	199
29344	176	CR2-5PK	301	FG3000S90	292	H200PACK	268	HSS7750	200
29344	190	DSH	92	FG3000S90	296	H222R1	209	HS_SF	88
29346	176	DSH1000	93	FG3000S90	297	H222R1	222	K28_-SWEP	225
29346	190	E199	159	FIF2/275A	248	H222R1	245	K134EP	223
29394	185	EG308	52	FM	83	H222R1	266	K134EP	229
29394	196	EGA305xG	150	FM100	60	H300S-OH	232	K134EP	268
45041	177	EGC308	53	FM200	55	H300S-SW	233	K411	149
45061	177	EGT308	54	FM300	30	H440A-OH	234	K412	149
45062	177	EL-CEPT	94	FM300WT	31	H440A-SW	235	K420	149
45100	177	EL-EPT	94	FM300WT	32	H600S-OH	238	K435	149
45137	177	EL-EPTL	94	FM327	48	H600S-SW	239	K435-PREM	149
45175	177	EL-EPT-SC	94	FM338	50	H800S-OH	240	K436	149
45250	177	EPD3	222	FM344	51	H800S-SW	241	K436SM	149
45400	177	EPD3	228	FM400	67	H1100A-OH	242	K1077_-SWEP	222
74518	281	EPD3	249	FM600	29	H1100A-SW	243	K4133	149
75518	281	EPD3	260	FM900	65	HBP200A	211	K4301	149
84514	282	EPD3	264	FM3500	25	HBP200A	228	K_FM	85
85514	282	ERS	92	FM_RG	85	HF2/100	246	LH100	230
90041	176	EV80	150	FM/SC325	46	HF2/100PACK	246	LP200A	230
90062	157	EV232	118	FM_SF	86	HF2/100PACK	268	MAG349	192
90062	176	EV232	206	FM_SLF	83	HF3-25PK	300	N84518	282
90100	157	EV2320	118	FM_SLF138	86	HF4/100	246	N85518	282
90100	176	EV2320	206	FM_SLI	83	HG305	37	NL1678	195

Product	Index	Product	Index	Product	Index	Product	Index	Product	Index
NL1734CPXE_.....	195	PDL-D1.....	202	R1.75F.....	133	RR1.25FMR.....	141	SBR1FMR.....	140
NL13516.....	195	PDL-D2.....	202	R1.75FMR.....	133	RR2.....	140	SBR.5F.....	140
OS95518.....	281	PEMKOSFSET.....	196	R1.75OS.....	134	RR12_H.....	141	SBR.5FMR.....	140
OS_FM.....	82	PEMKOSTCSET.....	216	R1.75OSMR.....	134	RS138.....	90	SDL.....	267
OS_HS.....	82	PF2x6KIT.....	245	R1.75OSS.....	135	RS175.....	90	SHS80.....	210
P50.....	192	PF134 KIT.....	245	R1.75OSSMR.....	135	RVAR1/A.....	137	SHS80.....	223
P51B17.....	195	PF28200A.....	245	R1F.....	133	RVAR1/AK.....	137	SIM100.....	229
P51B17.....	289	PFAS.....	245	R1FMR.....	133	RVARIOSS.....	137	SIM150.....	264
P240.....	288	PFAS88.....	245	R1OS.....	134	S44.....	192	SIM150-BOLTKIT....	264
P241.....	288	PFAS100.....	245	R1OSMR.....	134	S44.....	198	SIM150-LOCKKIT....	264
P241-30.....	288	PFBG-4.....	245	R1OSS.....	135	S44.....	203	SIM200A.....	229
P242.....	288	PFBG-4.....	268	R1OSSMR.....	135	S44.....	220	SIRLH/SIRRH.....	231
P243.....	288	PFBG-8.....	245	R2.25F.....	133	S52.....	191	SOFT CLOSE.....	269
P244.....	288	PFBG-8.....	268	R2.25FMR.....	133	S77.....	193	SPFM.....	84
P260.....	288	PFBS.....	245	R2F.....	133	S77.....	198	SPFM_SLF.....	84
P261.....	288	PFBS.....	268	R2FMR.....	133	S88.....	192	SPFM_SLI.....	84
P262.....	288	PFCDKIT.....	245	R2OS.....	134	S88.....	198	STC411.....	145
P263.....	288	PFFC-8.....	245	R2OSMR.....	134	S88.....	203	STC411.....	204
P264.....	288	PFHB-1.....	245	R2OSS.....	135	S104.....	191	STC411.....	219
P265.....	288	PFHB-2.....	245	R2OSSMR.....	135	S105.....	191	STC4131.....	145
P266.....	288	PFHS.....	245	R.5F.....	133	S109.....	191	STC4131.....	204
P361V16.....	289	PFKIT-4.....	245	R.5FMR.....	133	S442.....	193	STC4131.....	219
P364R16.....	289	PFKIT-8.....	245	R.5OS.....	134	S442.....	198	STOP1.....	252
P365V16.....	289	PIF2/165A.....	247	R.5OSMR.....	134	S442.....	203	STOP1.....	259
P380.....	289	PIF4/165A.....	247	R.5OSS.....	135	S442.....	220	STOP1.....	268
P381.....	289	PK33.....	193	R.5OSSMR.....	135	S771.....	166	STOP2.....	249
P382.....	289	PK33.....	199	R.75F.....	133	S771.....	199	STOP2.....	251
P384.....	289	PK52.....	192	R.75FMR.....	133	S771.....	203	STOP2.....	257
P385.....	288	PK55.....	193	R.75OS.....	134	S771x6.....	166	TBS250A-OH.....	236
P386.....	288	PK55.....	199	R.75OSMR.....	134	S771x6.....	193	TBS250A-SW.....	237
P387.....	289	PY900.....	185	R.75OSS.....	135	S771x6.....	199	W60.....	208
P388.....	289	Q102.....	191	R.75OSSMR.....	135	S771x6.....	203	W60 to W100.....	249
P390.....	288	Q103.....	191	RAMP 1.....	136	S772.....	166	WING 10_H.....	138
P391.....	288	Q106.....	191	RAMP 2.....	137	S772.....	199	WING 16_H.....	138
P392.....	288	Q107.....	191	RAMP 3.....	136	S772.....	203	WING EXT_H.....	138
P393.....	288	Q108.....	191	RAMP 4.....	136	S773.....	192	WT_FM.....	87
P394.....	288	R1.5F.....	133	RAMP 5.....	136	S773.....	198	WT_HS.....	87
P396.....	288	R1.5FMR.....	133	RAMP 6.....	136	S773.....	203	X25M.....	81
P397.....	288	R1.5OS.....	134	RAMP 7.....	137	S773.....	220	XF.....	81
P398.....	288	R1.5OSMR.....	134	RAMP 8.....	136	S776.....	193	XG90KIT.....	194
P480.....	289	R1.5OSS.....	135	RAMP 8.....	137	S776.....	198	XG900.....	194
P484.....	289	R1.5OSSMR.....	135	RAMP 9.....	136	S776.....	203	XG2212.....	150
P490.....	288	R1.25F.....	133	RAMP 10.....	136	S1125.....	168	XI.....	81
P491.....	288	R1.25FMR.....	133	RAMP 11.....	136	SA1.....	148	XK.....	81
P493.....	288	R1.25OS.....	134	RAMP 12.....	136	SA2.....	148	XM.....	81
P497.....	288	R1.25OSMR.....	134	RAMP 13.....	137	SA3.....	148		
PDLAA.....	202	R1.25OSS.....	135	RAMP 14.....	137	SA4.....	148		
PDLBRKT.....	202	R1.25OSSMR.....	135	RR1.....	140	SBR1F.....	140		

## ABOUT THE PEMKO PRODUCT LINE

Since 1952, the Pemko name has been known as a key manufacturer in weatherstripping products. Over the years, as an ASSA ABLOY Group brand, we have expanded our product line into a full line of architectural door trim products to include thresholds, fire/smoke gaskets, door bottoms, perimeter gasketing, brush seals, astragals, continuous geared and stainless steel hinges, fire and life-safety products, lites and louvers, and sliding door hardware.

The Pemko product line offers offers sound-tested, smoke-labeled, fire-labeled, skid resistant, and ADA-compliant products, and aggressively pursues new product development to create solutions for new applications and requirements.

### Applications

- **Energy Efficiency:** These products make a complete energy efficient door solution – door bottoms, astragals, meeting stiles, brush gasketing, perimeter gasketing, and thermal barrier thresholds.
- **Smoke and Fire Gasketing:** Hot Smoke Seal™ is an intumescent fire life-safety product that meets UBC7-2 (proposed UL10C) positive pressure testing. Pemko S88 and S773 silicone seals are also smoke and fire rated gaskets that meet UBC7-2 positive pressure testing and are Category G gaskets for edge sealing systems for use with Category B doors.
- **Pemko Acoustic Solutions:** As a result of extensive acoustic testing, our gasketing systems are used on openings with STC Ratings from the low-30's and into the mid-50's. Acoustic seal sets have been assembled to better assist with determining an operable rating when a door's sealed-in-place rating is known. See pages 222 to 224 for more info.
- **Electrically Modified Pemko Hinges:** Continuous geared hinges are designed for commercial doors of all traffic levels and offer many benefits for your opening. All of our commercial-grade continuous geared hinges have the added option for electrical modification. Some of these options allow for electrical modifications to be made without removing the door from the opening.
- **ADA-compliant aluminum and rubber ramps** provide wheelchair access in public access doorways.
- **Sustainability:** Products are certified to GREENGUARD GOLD standards for low chemical emissions into indoor air during product usage.

All products in the Pemko line undergo rigorous testing to ensure that they meet or exceed the industry standards. Look for the logos next to the product drawings and see pages 12-13 for more information.



### LEED Certification Contribution

ASSA ABLOY can help to achieve prerequisites and accumulate points in several categories and credit areas for LEED. For further information, please call 1-800-824-3018 or refer to our website to view our prepared LEED statement.



*U.S. Green Building Council logo is a trademark owned by the U.S. Green Building Council and is used with permission.*

*ASSA ABLOY is a member of the USGBC and CaGBC*

### Sales & Support

Customer Service Representatives are available from 7am to 7pm Central time at 1-800-824-3018 or visit the website for the current catalogs, sell sheets, and the most up-to-date templates.

There are many items on the Pemko Quick Ship Program that ship within 48 hours. For the most up-to-date information, visit the Accessories WebShop at <https://accessories.assaabloy.com/en/accessories>. Customers with established Pemko accounts may request an account in WebShop through Pemko's Customer Service Representatives.

### Need a Sales Rep?

Pemko is represented by the ASSA ABLOY Door Security Solutions team. Contact your local ASSA ABLOY Door Security Solution Representative via e-mail by going to [www.assaabloydss.com](http://www.assaabloydss.com) and clicking on "Sales Support" or call 1-800-DSS-EZ4U (800-377-3948).

**Website:** [www.assaabloydooraccessories.us](http://www.assaabloydooraccessories.us)

**Facebook:** [www.facebook.com/ASSAABLOYARCHIT/](http://www.facebook.com/ASSAABLOYARCHIT/)

**Twitter:** @ASSAABLOYARCHIT

ASSA ABLOY has manufacturing and warehouse locations for the Pemko line in Memphis TN and Ventura CA. Each location offers a Will Call order pickup option for local customers. In Canada, we have a warehouse location in Toronto ON.

**PEMKO**  
**ASSA ABLOY**

Experience a safer  
and more open world

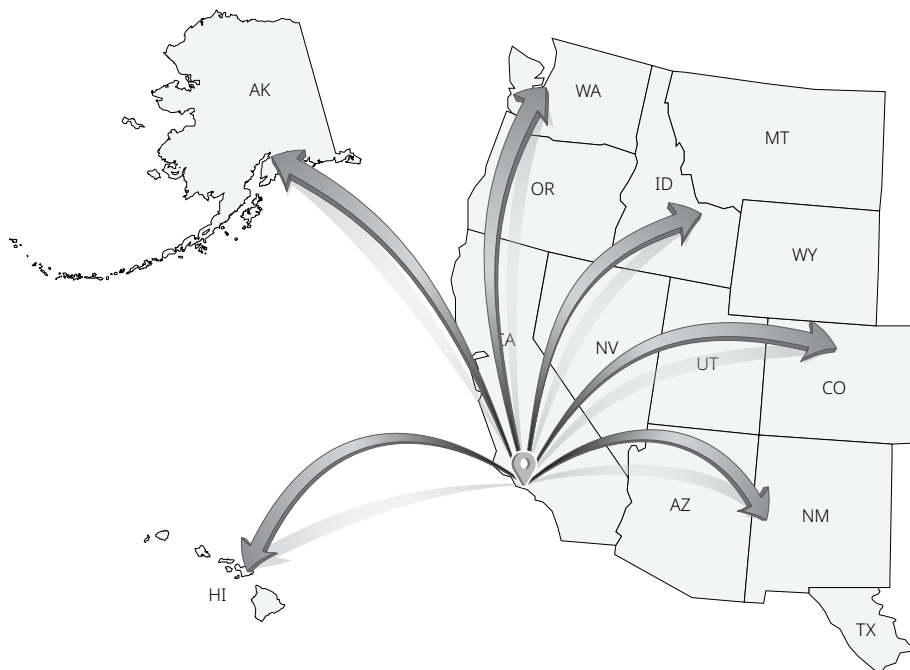
800-824-3018 | [www.pemko.com](http://www.pemko.com)  
Check the web site for the up-to-date catalog

Copyright © 2015-2023, ASSA ABLOY Accessories and Door Controls Group, Inc., an ASSA ABLOY Group company. All rights reserved. Reproduction in whole or in part without the express written permission of ASSA ABLOY Accessories and Door Controls Group, Inc. is prohibited.



## THE WEST COAST STOCKING PROGRAM

In an effort to better serve our customers in the western regions, we have expanded our collection of Pemko products available through our Ventura, California warehouse. Our West Coast Stocking Program includes a wide range of door accessories including thresholds, fire/smoke gaskets, door bottoms, perimeter gasketing, brush seals, astragals, continuous geared hinges, sliding door hardware, and more. All of the items in this catalog as well as their finishes are available in California.



800-824-3018 | [www.pemko.com](http://www.pemko.com)

Check the web site for the up-to-date catalog

Copyright © 2015-2023, ASSA ABLOY Accessories and Door Controls Group, Inc., an ASSA ABLOY Group company. All rights reserved.  
Reproduction in whole or in part without the express written permission of ASSA ABLOY Accessories and Door Controls Group, Inc. is prohibited.

**PEMKO**  
**ASSA ABLOY**

Experience a safer  
and more open world

## GENERAL INFORMATION AND TERMS

### Terms:

All prices are F.O.B. factory. To customers with satisfactory and / or prior approved credit and account status, terms of 1% 15 days, NET 30 days will be allowed. To open a new Pemko account, please contact your local Door Security Solutions Sales agency. Acceptance of orders and deliveries are subject to our approval.

### Credit Card Capabilities:

Visa, Mastercard, Discover, and American Express are accepted (only for established open accounts). Payment terms are NET.

### Freight Terms:

All orders are F.O.B. factory via the most economical routing. Purchaser assumes the risk of loss or damage in transit. For NET orders of \$1750.00 or more, freight will be prepaid in the continental U.S. for shipment the most economical way. For shipments to Hawaii or Alaska on NET orders of \$2500.00 or more, freight will be prepaid the most economical way. All shipments that exceed 96" in packaged length must be shipped LTL. Add 4" to the length of the product for finish package length. Minimum freight on these orders is \$140.00.

### Oversized/Special Packaging:

\$100.00 NET. This will be added to any order not meeting prepaid freight where the product is a) over 10 feet in length, b) a welded threshold assembly, or c) as deemed appropriate to ensure product safety while in transit.

### Minimum Order Level:

A surcharge of \$15.00 all will be added to NET orders less than \$100.00 NET.

### Returns And Allowances:

No merchandise will be accepted for return or credit unless prior written approval is obtained. Returned merchandise must be of recent sale (6 months), in restockable / resalable quality, size, and condition. A minimum 25% charge plus freight charges will be made for returns. Material that is not in standard stock sizes, is made to special order, has a custom finish, or has been sold at special consideration or closeout is subject to additional charges. Foam tape is not returnable. Adhesive gasket may only be returned within six (6) months from the ship date.

Contact Customer Service for rules and Return Goods Authorization paperwork.

### Cancellation Charges:

Cancellation of special order material, non-stock sizes, or special sizes are subject to cancellation charges, based on factory expense and material used.

### Guarantee:

Pemko products are guaranteed for five (5) years against defects in material or workmanship, except: 1) PemKote abrasive surface for thresholds is guaranteed for ten (10) years. 2) Polyurethane foam tapes are guaranteed for 90 days. 3) Grade 1 PemkoHinges are guaranteed for the life of the opening against defects in material or workmanship. All other grades of PemkoHinge carry a ten (10) year warranty. 4) Electrical modification performance is guaranteed for five (5) years on Heavy Duty Grade 1 (HDI) and 1100 Series hinges. Electrical modification performance is guaranteed for one (1) year on Standard Duty and Heavy Duty Grade 3 (HD3) hinges. 5) PC Henderson products are guaranteed for two (2) years against defects in material workmanship. 6) Powder Coated finishes are warranted for two (2) years; normal wear is not included in coverage.

Markar Continuous Hinges and Pivots are guaranteed to be free from defects in materials and workmanship for a period of 10 years. Hinges with medical bearings are guaranteed for twenty-five (25) years. Markar Edge Guards and Astragals are guaranteed to be free from defects in materials and workmanship for a period of (1) year. Markar electrical modification performance is guaranteed for five (5) years.

Pemko Manufacturing Co. will not be liable for defects or damages arising from improper installation, product modification, incorrect application or storage of product. Written notice of damages must occur within the warranty period. Liability shall be limited to the replacement of product or component determined to be defective and shall not include costs arising from removal or reinstallation of product. Cost of replacement shall not exceed original purchase price. No other claims will be allowed. In no event shall liability be extended to include punitive, incidental or consequential damages arising from use of Pemko products. This is the sole warranty given by Pemko Manufacturing Co.. No other warranty implied or expressed shall be allowed.

### Claims For Shortage Or Damage In Transit:

All claims must be made within ten (10) days of receipt of goods. Purchaser assumes the risk of loss or damage in transit.

### Mill Lengths:

Most extrusions are available in mill lengths. Cut lengths over 12 feet are charged as mill lengths.



Experience a safer  
and more open world

800-824-3018 | [www.pemko.com](http://www.pemko.com)  
Check the web site for the up-to-date catalog

Copyright © 2015-2023, ASSA ABLOY Accessories and Door Controls Group, Inc., an ASSA ABLOY Group company. All rights reserved.  
Reproduction in whole or in part without the express written permission of ASSA ABLOY Accessories and Door Controls Group, Inc. is prohibited.

## GENERAL INFORMATION AND TERMS

### Ordering Information:

Please order material by product number, specifying length required per piece and the number of pieces. Most weatherstrips are offered in standard sizes. If it is not practical to furnish the size ordered, the next larger size will be furnished and charged. Thresholds are maintained in standard sizes with 1/2" extra length on thresholds thru 47" and 1" extra length for thresholds 48" and longer to allow for fitting and field trim, unless exact net cut size is specified. Cut lengths under 24" will be charged as 24".

Thresholds, perimeter gaskets, astragals, and door bottoms are punched or drilled as standard, unless otherwise specified in this catalog. Material can generally be supplied without holes by stating "No Holes" on the applicable purchase order line.

Thresholds are punched with 12" centers. Thresholds over 8" in width will be punched with a double row. Thresholds are generally supplied with #10 flat head screws. Other fasteners are available on request.

Metal retainers for perimeter gaskets, door bottoms, and astragals are punched with 6" centers.

### Non-Stock Finish Information:

Some items shown in this catalog are not stocked in certain finishes (i.e. BDG, G, PW, and SN). 'Batch charges' may be required on non-stock finishes to achieve our normally fast lead times. Contact Customer Service for a quotation and lead time.

### Option Tables:

The option tables are provided for selection of other than standard or normal finishes, components, fabrication, or fasteners. Since these are other than standard or normal, please allow for extra lead time for option(s) selected.

### Cutting Tolerances:

Elastometric: -0 + 2" (50.8mm)

Thresholds (up to 48"): + 1/2" (12.7mm)

Thresholds (48" and up): +1" (25.4mm)

Net Cut: +/- 0.060, 1/16" (1.5mm)

Hinges: +/- 0.032, 1/32" (0.8mm)

Automatic Door Bottoms: +/- 0.060, 1/16" (1.5mm)

*Orders are subject to acceptance by Pemko Manufacturing Co. All prices and terms are subject to change without notice.*

### How to Order (Product Number Designations):

When placing your order, please specify the product profile number, finish, insert and size/length. Also make sure to clearly state any special fabrication needs, optional fasteners or custom finishes/sizes required.

Throughout the catalog, products are listed with an underscore ( \_ ) where variable finishes are available. More in-depth ordering information for specific lines is available in the individual product sections of the catalog.

### Standard Products:

Example: 2005 A T 36 (Shown as 2005\_T in catalog)

Profile#:	Finish:	Insert:	Size/Length:
2005	A	T = ThermoSeal	36 = 36"
216	SN	PK = PemkoPrene®	48 = 48"
297	BDG	V = Eco-V™	3684 = 1 piece @ 36" + 2 pieces @ 84"
303	A	S=Silicone	84/2 = 2 pieces @ 84"

### Adhesive Gasketing Products:

Example: S773 D 21 (Shown as S773\_ in catalog)

Profile#:	Finish:	Size/Length:
S773	D	21 = 21' coil
PK55	BL	510 = 510' (bulk packaging)
S88	W	17 = 17' coil

For PemkoHinge® and Modular Ramps, see detailed ordering information in their individual catalog sections.

## MATERIALS AND FINISHES INFORMATION

### Metals:

Extruded metal products are made from 6063 aluminum alloy or CDA alloy C38500 architectural bronze (brass). Roll-formed metal products are made from steel, 70-30 yellow brass, or 85-15 red brass. Roll-formed aluminum weatherstripping is produced from various alloys selected for the particular properties required. See finishes information below for all finish designations. If you do not see the option you require, please inquire with our Customer Service Department about the feasibility of a custom finish.

### Finish Designations:

<b>A</b>	- Mill Finish Aluminum
<b>AK</b>	- Mill Finish Aluminum w/PemKote®
<b>B</b>	- Mill Finish Extruded Bronze (Brass)
<b>BK</b>	- Mill Finish Extruded Bronze (Brass) with PemKote®
<b>BDG</b>	- Bright Dip Gold Anodized Aluminum
<b>BSP</b>	- Black Suede Powder Coat
<b>C</b>	- Clear Anodized Aluminum
<b>D</b>	- Dark Bronze Anodized Aluminum

<b>G</b>	- Gold Anodized or Powder Coated Aluminum
<b>PW</b>	- Painted White Aluminum
<b>S</b>	- Cladded Stainless Steel
<b>SN</b>	- Satin Nickel Anodized or Powder Coated Aluminum
<b>SP</b>	- Galvannealed Steel
<b>SS</b>	- Stainless Steel (see individual part for finish)
<b>WSP</b>	- White Suede Powder Coat
<b>Z</b>	- Steel Metal
<b>10BE</b>	- Satin Bronze Powder Coat

### Special Order Finishes:

Painted Aluminum (any color)  
Polished Aluminum, Uncoated  
Polished Bronze, Uncoated

Powder Coating, Custom - Provide RAL#  
Satin Brushed Aluminum, Uncoated  
Satin Brushed Bronze, Uncoated  
Oxidized and Oil Rubbed Bronze

### Finish Options:

PemKote®  
Anodized (*clear, dark bronze, black*)  
Polish/Buf Brass  
Polish/Buf Aluminum  
Satin Buff Brushed Brass  
Oxidized & Oil Rubbed L-metal (ANSI/BHMA 722)  
Oxidized & Oil Rubbed L-metal (custom finish, 609, 613)  
Oxidized & Oil Rubbed Thresholds (ANSI/BHMA 722)  
Oxidized & Oil Rubbed Thresholds (custom finish, 609, 613)  
Oxidized & Oil Rubbed Weatherstrip (ANSI/BHMA 722)  
Oxidized & Oil Rubbed Weatherstrip (custom finish, 609, 613)

### Adhesive Gasketing And Replacement Eco-V™ Finishes:

BL - Black  
C - Clear  
D - Dark Brown  
GR - Light Gray  
TAN - Tan  
W - White

### Inserts:

Pemko Manufacturing Co. manufactures many products with gasket inserts (seals). See insert information below for all insert (seal) designations. Also, the available inserts (seals) for each individual product are shown adjacent to each individual product.

<b>E</b>	- EPDM, Solid	<b>PK</b>	- PemkoPrene®*	<b>SB</b>	- Soft Brush
<b>M</b>	- Magnetic	<b>Q</b>	- Kerf-in Foam	<b>T</b>	- ThermoSeal
<b>N</b>	- Neoprene or EPDM	<b>R</b>	- Sponge Neoprene or EPDM	<b>TF</b>	- Triple Foam
<b>NB</b>	- Nylon Brush	<b>S</b>	- SiliconSeal or Sponge Silicone (see individual part)	<b>V</b>	- Eco-V®
<b>P</b>	- Pile				

\*PK: In order to best control our customers' costs some PK (Santoprene™) products may be a silicon based elastomeric material with comparable performance.

**PEMKO**  
**ASSA ABLOY**

Experience a safer  
and more open world

800-824-3018 | [www.pemko.com](http://www.pemko.com)  
Check the web site for the up-to-date catalog

Copyright © 2015-2023, ASSA ABLOY Accessories and Door Controls Group, Inc., an ASSA ABLOY Group company. All rights reserved.  
Reproduction in whole or in part without the express written permission of ASSA ABLOY Accessories and Door Controls Group, Inc. is prohibited.

### Fabrication Options:

Pemko Manufacturing Co. offers many fabrication options for our products to fit specific job requirements. Please consult our Customer Service Department for details. Custom fabrications are subject to engineering design costs and are quoted on a time and material basis.

Bevel	One Edge	Miter2-1	Double, One End of Threshold
Cut	Thresho-Sill Nosing Flush	Miter2-2	Double, Both Ends of Threshold
Leadline	Leadline of Astragals, Door Bottoms	Half Notch	1/2", Door Shoe, Both Ends, Drip Only
Rip	Width	Half Notch	3/4", Door Shoe, Drip Only, Both Ends
Tack Weld	One Line	Half Notch	5/8", Door Shoe, Drip Only, Both Ends
Tab	Welded Tab & Screw	Half Notch	9/16", Door Shoe, Drip Only, Both Ends
Support Leg	For Elevated Plates 3" Center to Center	Full Notch	1/2", Door Shoe, Both Ends
L-Notch	Both Ends of Threshold	Weep Holes	All Door Shoes
U-Notch	Both Ends of Threshold	Custom Holes	Custom Hole Pattern
Drill	Thresho-Sill (Add "H" to Prod. #)		
Mill & Drill	Thresho-Sill (Add "M" to Prod. #)		
Miter1-1	Single, One End of Threshold		
Miter1-2	Single, Both Ends of Threshold		

*Fabrication Options Important Note: Complicated fabrications are quoted based on time and materials.*

### Drawings:

Product drawings throughout the catalog may be a reduced representation/not drawn to scale. They are representations of the product size, dimensions, shape, etc. For scale drawings in PDF or AutoCAD (DWG or DXF) format, please visit our website: [www.pemko.com](http://www.pemko.com)

## PRODUCT TESTING/CLASSIFICATION SYMBOLS

These symbols are shown adjacent to products throughout the catalog so that one can readily identify and select products which meet specification and/or code requirements.



#### GREENGUARD GOLD Certification:

Tested To: UL2818

GREENGUARD GOLD Certified products are certified to GREENGUARD GOLD standards for low chemical emissions into indoor air during product usage. For more information, visit [ul.com/gg](http://ul.com/gg) or [spot.ul.com](http://spot.ul.com) for Pemko's GreenGuard listing.



#### Air Infiltration Tested

Tested To: ASTM E-283-04 (2012)

Products indicated by this symbol have been air infiltration tested in accordance with the requirements of ASTM E-283 Rate of Air Leakage Through Exterior Windows, Curtain Walls, and Doors.



#### Sound Tested

Tested To: ASTM E 90-2009

Products indicated by this symbol have been acoustically tested in accordance with ASTM E 90-2009. Method for Laboratory Measurement of Airborne Sound Transmission Loss of Building Partitions Tests were conducted by accredited laboratories for acoustic testing. Contact your Door Security Solutions Sales rep or Pemko Customer Service for recommended PEMKOSTCSET kits.



#### Barrier-Free

Meets Requirements of: ADAAG-2010 (Amended) and ICC / ANSI A117.1-2017

Products indicated by this symbol are access compliant by having installed height differences not over 1/2" with allowable edge and slope conditions. All ramp products (found in the Modular Ramp section) have ADA compliant 1:12 slopes: Pemko Modular Ramp Thresholds, Rubber Ramp Thresholds and Recycled Rubber Ramps. Contact Pemko Manufacturing or refer to page 14 for recommended Barrier-Free Systems.



**Non-Skid/PemKote™**

Meets Requirements of: ASTM D 2047, UL 410 & Federal Specifications P-F-430C  
 PemKote™ is a rugged abrasive finish of nickel-aluminum composite which is fused to the metal surface by an exothermic reaction. This process produces an aesthetically pleasing skid resistant coating with extremely high bond strength and excellent resistance to oxidation. PemKote™ carries a TEN (10) YEAR GUARANTEE, and is available on all Pemko line metal thresholds and metal modular ramps. ASSA ABLOY highly recommends the use of PemKote™ for all Barrier-Free Modular Ramps and as a durable, economical alternative for cast abrasive products.



**Smoke Tested**

Tested To: UL 1784  
 Meets Requirements of: NFPA 105-2013  
 Products indicated by this symbol are Listed by WYLE Laboratories as having been tested in accordance with Underwriters Laboratories Inc.®, Standard UL 1784 Air Leakage Tests of Door Assemblies, and meet the performance criteria for allowable air leakage as specified in NFPA 105-2013 Installation of Smoke Control Door Assemblies.



**Fire Rated**

Products indicated by this symbol are fire rated, classified and listed (U.S.A. and Canada) to meet the requirements/standards of UL10B, UL10C, and UL10C (Edge Sealing). For a complete listing of fire rated and UL listed products, please refer to the UL Product Directory website, <https://iq2.ulprospector.com>.



**PemkoHinge® Rating:**

All hinge models designated with these symbols are tested by Underwriters Laboratories Inc.® (U.S.A. and Canada) to standards UL10B and UL10C for up to a 3-Hour Fire Listing for all 4'-0" x 10'-0" and 8'-0" x 10'-0" door and frame assemblies. Fire listing certifications apply to all approved hollow metal and wood door assemblies in drywall or masonry wall construction. Check UL File #R14745 on the UL website for a complete and current listing of applicable PemkoHinge® products.



**Builders Hardware Manufacturers Association:**

Products indicated by this symbol have been voluntarily submitted to rigid third party testing and follow-up audits to confirm that they fully and continuously meet or exceed the requirements of their underlying ANSI / BHMA Standards. These products are listed in the BHMA Certified Products Directory. They are also posted and frequently updated on the BHMA website at [www.buildershardware.com](http://www.buildershardware.com). Pemko products are covered by the following: ANSI / BHMA A156.21 Standard for Thresholds, ANSI / BHMA A156.22 Standard for Door Gasketing Systems, and ANSI / BHMA A156.26 Standard for Continuous Hinges.



UL1S47 - Check UL File #R18375 on the UL website for a complete and current listing of applicable Pemko edge sealing and fire glazing products (not specifically listed by item in this product catalog).



UL4L10 - Check UL File #R14369 on the UL website for a complete and current listing of applicable Pemko line products (not specifically listed by item in this product catalog).



Check Pemko's Category G, Category H and Category J listings on ITS website [www.intertek.com](http://www.intertek.com) for a complete and current listing of applicable Pemko edge sealing, perimeter gasketing and fire glazing products.



Experience a safer and more open world

800-824-3018 | [www.pemko.com](http://www.pemko.com)  
 Check the web site for the up-to-date catalog


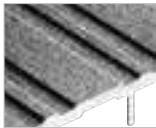













Copyright © 2015-2023, ASSA ABLOY Accessories and Door Controls Group, Inc., an ASSA ABLOY Group company. All rights reserved. Reproduction in whole or in part without the express written permission of ASSA ABLOY Accessories and Door Controls Group, Inc. is prohibited.

## BARRIER-FREE SYSTEMS



Pemko product lines include many products such as modular ramps, thresholds and floor treads, that help you meet the requirements of the Americans with Disabilities Act (ADA) as outlined in the Americans with Disabilities Act Accessibility Guidelines (ADAAG-2010 amended); ICC /ANSI A117.1 Standard Accessible and Usable Buildings and Facilities; any of the various Uniform Building Codes; or state access codes (e.g. California Building Code, Title 24).

The following table shows which products comply with the ADAAG and ICC /ANSI standard and also notes their respective sections.

ICC / ANSI A117.1 (ADAAG)	Pemko Recommendation
<p>302 (4.5) Floor or Ground Surfaces. 302.1 (4.5.1) General. "shall be slip resistant"</p>  <p><i>Skid resistant.</i></p>	<p>"Slip resistant" PemKote™, non-skid surface</p> <ul style="list-style-type: none"> <li>• PemKote™ (finish code: "K") is a rugged abrasive finish of nickel-aluminum composite</li> <li>• PemKote™ provides safety in environments used by youths and people with disabilities</li> <li>• For more information, see the Modular Ramps section</li> </ul>  <p><i>PemKote™: skid resistant surface.</i></p>
<p>302.2 (4.5.3) Carpet. "Exposed edges of carpet...shall have trim along the entire length of the exposed edge. Trim shall comply with Section 303"</p>	  <p>Note: See Commercial Thresholds section (page 136) for more options.</p>
<p>303 (4.5) Changes in Level 303.2 (4.5.2) Vertical. "Changes in level of 1/4" (6mm) high maximum shall be permitted to be vertical"</p>	 <p>Note: See Commercial Thresholds section (pages 134-135) for more options.</p>
<p>303.3 (4.5.2) Beveled. Changes in level greater than 1/4 inch (6.4 mm) in height and not more than 1/2 inch (13 mm) maximum in height shall be beveled with a slope not steeper than 1:2."</p>	  <p>Note: See Commercial Thresholds section (pages 106-129) for more options.</p>
<p>303.4 (4.5.2) Ramped. "Changes in level greater than 1/2" (13mm) shall be by a ramp complying with Section 405 (4.8)"</p>	<ul style="list-style-type: none"> <li>• Assemblies accommodate 1/2" to 2 1/4" floor offsets in meeting the 1:12 slope requirements of the "Americans with Disabilities Act"</li> <li>• Rubber ramp component assemblies meet the same requirements.</li> <li>• Answer the needs of architects, specifiers, building owners, installers, and physically challenged people</li> <li>• For use in schools, hospitals, stadiums, offices, restaurants, hotels, airports, and more</li> <li>• For complete information, see the Modular Ramps section</li> </ul>
<p>404 (4.13) Doors, Doorways and Gates. 404.2.4 (4.13.8) Thresholds. "...shall be 1/2" high maximum...shall comply with Sections 302 and 303"</p>	  <p>Note: See Commercial Thresholds section (pages 106-129) for more options.</p>
<p>404.2.8 Door and Gate Opening Force - 5lbs. maximum</p>	  
<p>405 (4.8) Ramps 405.2 (4.8.2) Slope. "Ramp runs shall have a running slope... not steeper than 1:12"</p> <p><i>(Note: Some exceptions apply to this with respect to existing buildings having space limitations. Consult Pemko for specific applications.)</i></p>	 <p>Note: See Modular Ramp section (pages 142-146) for more options.</p>
<p>504 (4.9) Stairways 504.4 Tread Surface 504.5 (4.9.3) Nosings</p>	  <p>Note: See Floor Treads section (pages 132-133) and Floor Molding, Trim section (page 284) for more options.</p>



The following interprets ANSI/BHMA numbers which identify material and type of products. For products that meet ANSI/BHMA Standards, look for the BHMA certified logo next to the product in our catalog. For a complete listing refer to the BHMA Certified Products Directory on line at [www.buildershardware.com](http://www.buildershardware.com).

### American National Standard for Thresholds ANSI/BHMA A156.21 (2019)

1 Product Section "J" Designates Architectural Door Trim, Thresholds				
2 Material	3 Configuration	4 Surface	5 Description	6 Description
1. Architectural Extruded Brass or Bronze 3. Aluminum 5. Stainless Steel 7. Rubber & similar nonmetallic 0. Other (ie: cast iron, safety abrasive, etc.)	1. Compressing top 2. Flat Saddle 3. Half Saddle 4. Interlocking 5. Rabbeted, Latching/Panic with Gasket 7. Plate 8. Ramped 9. Saddle for Floor Closer 0. None designated	1. Fluted 2. Fluted with abrasive 3. Smooth 4. Smooth with abrasive	1. Applied Stop 2. Applied Stop with gasket 3. Barrier Free 4. Carpet Separator 5. Ends Mitered 6. Expansion Assembly 7. Hook Strip Applied to door 8. Offset 9. Thermal Break 0. None Designated	1. Applied Stop 2. Applied Stop with gasket 3. Carpet Separator 5. Ends Mitered 6. Expansion Assembly 7. Hook Strip applied to door 8. Offset 9. Thermal Break 0. None Designated

Suffix "-HD" designates thresholds meeting Heavy Duty requirements

### American National Standard for Door Gasketing and Edge Seal Systems ANSI/BHMA A156.22 (2021)

1 Product Section "R" Designated Gasketing					
2 Product Material	3 Gasketing Material		4 Product Type	5 Material Application	6 Gasketing Rating
1. Brass or Bronze 3. Aluminum 5. Stainless Steel 0. Optional material or none used	A. Brush B. Neoprene, solid C. Neoprene, closed cell D. Vinyl/Eco-V™ E. Silicone Rubber F. Pile G. Thermoplastic Elastomer (TPE) H. Thermoplastic Urethane (TPU) J. Thermoplastic Rubber K. Spring Metal L. Magnetic M. Felt N. Rubber Fabric P. Intumescent Q. Intumescent/Brush	R. Intumescent/Neoprene, Solid S. Intumescent/Neoprene Closed Cell T. Intumescent/Vinyl U. Intumescent/Silicone Rubber V. Intumescent/Pile W. Intumescent/Thermoplastic (TPE) X. Intumescent/Thermoplastic Urethane (TPU) Y. Optional material or none used Z. Intumescent/Thermoplastic Rubber	1. Head and Jamb 2. Head and Jamb, Adjustable 3. Automatic Door Bottom 4. Door Sweep or Shoe 5. Door Sweep or Shoe with Drip Cap 6. Astragal Overlapping 7. Astragal Split or Compensating 8. Astragal Adjustable 9. Rain Drip without gasket 0. Other	1. Door Edge 2. Door Edge, Mortise 3. Door Face 4. Door Face, Semi-Mortise 5. Frame Rabbet (surface or mortise) 6. Frame Soffit (H.M.) Frame Stop (W.D.) 7. Frame Face 8. Kerf 9. Stop (H.M.), Stop Face (W.D.) 0. Other	0. Smoke/Energy Performance/Acoustic Rated 1. Smoke/Energy Performance Rated 2. Smoke/Acoustic Rated 3. Energy Performance/acoustic Rated 4. Smoke Rated 5. Energy Performance Rated 6. Items not Rated 7. Acoustic Rated

### American National Standard for Continuous Hinges ANSI/BHMA A156.26 (2021)

First letter denotes BHMA Product Section (A)					
First Numeral-Product Material	Second Numeral-Type of Product	Third Numeral-Electrical Modifications	Fourth Numeral-Door Weight (lbs)	Fifth Numeral-Grade Classification	Second Letter-Hinge Type
1. Brass, Bronze 3. Aluminum 5. Stainless Steel 8. Steel	1. Edge Mounted Hinges 2. Half Edge Mounted Hinges 3. Full Surface Hinges 4. Half Surface Hinges 5. Swing Clear 6. Raised Barrel 7. Wide Throw 0. Other	0. None 1. Concealed Wire Transfer 2. Monitor 3. Power Transfer 4. Other	1. 150 2. 300 3. 600 4. 1200	1. Grade 1 2. Grade 2 3. Grade 3	B. Barrel G. Geared



Experience a safer and more open world

800-824-3018 | [www.pemko.com](http://www.pemko.com)  
 Check the web site for the up-to-date catalog

Copyright © 2015-2023, ASSA ABLOY Accessories and Door Controls Group, Inc., an ASSA ABLOY Group company. All rights reserved. Reproduction in whole or in part without the express written permission of ASSA ABLOY Accessories and Door Controls Group, Inc. is prohibited.



# MARKAR CONTINUOUS PIN AND BARREL HINGES

## CONTENTS:

General Information.....	18
Hinge Finishes .....	20
Hinge Numbering System and Standard Lengths .....	21
Continuous Hinge Modifications .....	22
3500 Series Stainless Steel Pin and Barrel Security Hinges .....	25
600 Series Stainless Steel Pin and Barrel Hinges .....	29
300 Series Stainless Steel Pin and Barrel Hinges .....	30
300 Series Stainless Steel Edge Guards.....	52
200 Series Carbon Steel Pin and Barrel Hinges.....	55
100 Series Aluminum Pin and Barrel Continuous Hinges .....	60
900 Series Toilet Partition Hinges .....	65
400 Series Toilet Partition Hinges .....	67
Pivots.....	69
Flat Astragals.....	70
Fasteners and Fastener Packs.....	71
Tools, Parts, and Accessories.....	75
Custom Lengths.....	76

## INDEX:

<u>PRODUCT</u>	<u>PAGE</u>	<u>PRODUCT</u>	<u>PAGE</u>	<u>PRODUCT</u>	<u>PAGE</u>
B1921.....	69	FM600.....	29	HG305.....	37
B1923.....	69	FM900.....	65	HG306.....	38
EG308.....	52	FM3500.....	25	HG310.....	40
EGC308.....	53	FM/SC325.....	46	HG311.....	41
EGT308.....	54	FS101.....	61	HG315.....	42
FA68.....	70	FS102.....	62	HG322.....	44
FA70.....	70	FS201.....	56	HG323.....	45
FA80.....	70	FS202.....	57	HG326.....	47
FM100.....	60	FS301.....	33	HG329.....	49
FM200.....	55	FS302.....	34	HG3505.....	28
FM300.....	30	FS321.....	43	HM104.....	64
FM300WT.....	31	FS402.....	68	HM204.....	59
FM300WT.....	32	FS902.....	66	HM304.....	36
FM327.....	48	FS910.....	66	HS103.....	63
FM338.....	50	FS3501.....	26	HS203.....	58
FM344.....	51	FS3502.....	27	HS303.....	35
FM400.....	67	FS/SC309.....	39		

NOTE: Products shown in this section may not be drawn to scale



## MARKAR CONTINUOUS PIN AND BARREL HINGES

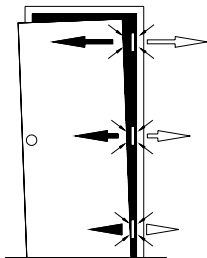
Markar has been a leader in innovative products for the hardware industry since 1969. In 1983, Markar was the first manufacturer to produce an architectural grade, adjustable continuous pin and barrel hinge line, and that innovation continues today with quality continuous hinges and edge guards. Markar leads the industry in development of fire rated continuous hinges with their flagship 300 Series Stainless Steel, 3500 Series institutional grade, and 200 Series cold rolled steel hinges. Building on customer feedback, Markar has developed over 75 standard continuous hinge models providing products for a wide variety of applications and challenges.

### Custom Designs

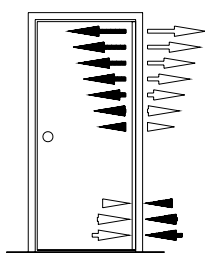
Whether the need is for a custom color to match a specific palette, hospital tips for patient rooms, hardware cutouts, wide throw models, custom hole patterns, security fasteners, current transfers, monitoring switches, or medical bearings, Markar hinge modifications will enhance the fit and function of an opening. Markar hinges are available in a wide range of finishes including powder coat, anodized (for aluminum), and architectural finishes.

### Medical Bearings are Standard

Medical Bearings are standard for all Pin and Barrel hinges. You benefit from this standard offering with permanently lubricated hinges with no metal to metal contact, improving the life and overall function of the hinge.



**Most door and frame stress is put on the top of conventional hinge systems.**



**A continuous hinge spreads the stress along the full length of the door and frame.**

## WHY CONTINUOUS HINGES?

Did you know that on a door with traditional butt hinges, 70% of the door weight is on the top hinge? The top hinge also bears the brunt of abuse when doors are opened beyond the stop device, resulting in kickback shock and eventual failure of the hinge and damage to the frame. This is why continuous hinges are recommended for heavy doors and for situations where doors are exposed to misuse.

Continuous hinges reduce the factors leading to hinge failure by distributing weight evenly so wear and tear to the frame and door is reduced significantly.

In addition, continuous hinges:

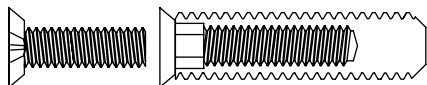
- Increase security and reduce vandalism by preventing insertion of devices between the door and frame
- Ease installation by providing simple alignment of electrical transfers and of monitoring switches
- Reduces air infiltration by creating a complete seal from top to bottom of the door at the hinge jamb

Markar manufactures pin and barrel hinges as well as spring loaded toilet partition pin and barrel models. There are over 75 different models to choose from offering a variety of configurations, options, and materials.

## Optional Features

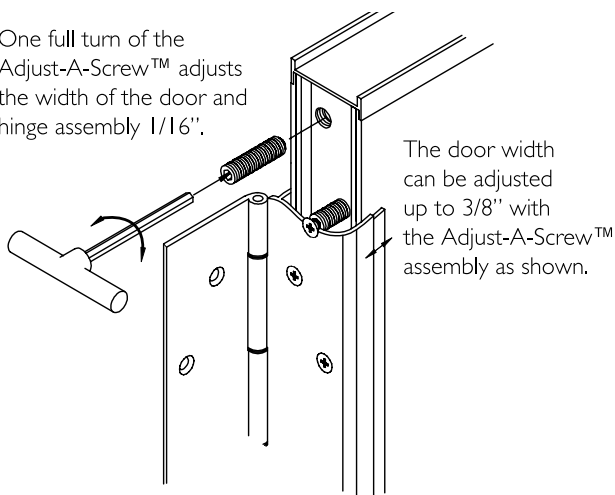
### The Unique Adjust-A-Screw™ Fastener

An optional Markar fastener available on Hinge Guard models permits up to 3/8" width adjustment. Full door length adjustment means doors can be squared accurately and easily in new installations and existing frames can be used in retrofits. Maintenance staff can make future adjustments of the door by re-positioning the Adjust-A-Screw™ Fasteners.



### Adjust-A-Screw™ Assembly

One full turn of the Adjust-A-Screw™ adjusts the width of the door and hinge assembly 1/16".

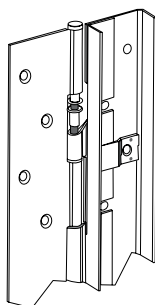


*Recommended 14 gauge reinforcements on frame and door. If using an adjustable Hinge Guard with Adjust-A-Screw, use 14 gauge reinforcements on frame and 12 gauge reinforcements on door.*

*For more information, including technical memos, door clearance guides and templates visit <https://www.assaabloydooraccessories.us/en/>*

## Exclusive Fiber-Reinforced Polymer Bearings

- Uniquely designed to provide clean and quiet hinge operation
- Self lubricating with high resistance to wear
- Exceeds ANSI/BHMA Grade 1 requirements
- 25 year warranty



## Windstorm Rated Hinges

Windstorm/hurricane testing on Markar continuous hinges was completed with UL and has been reviewed and approved to meet the requirements of the Florida Building Code (FBC). These hinges have passed tests for the following: an Impact Test (TAS 201), Static Load/Cyclical Test (TAS 202), and a Water and Leakage Test (TAS 203). Markar excelled in all three categories of testing.

Based on this performance, the FBC approved most Markar hinges in the following series:

(Up to openings of 4'0 x 8'0 singles and 8'0 x 8'0 pairs)

- 100 – 6063-T6 Aluminum
- 200 – 14 ga. Cold Rolled Carbon Steel
- 300 – 14 ga. 304 Stainless Steel
- 600 – 14 ga. 316 Stainless Steel
- 3500 – 12 ga. 304 Stainless Steel (Security Grade)



Tornado



Hurricane



## Fire Rated Continuous Hinges

Markar Stainless Steel hinges (300 Series and 3500 Series) and carbon steel hinges (200 Series) are available with two labeling options: Underwriters Laboratories Inc. or Warnock Hersey Int'l.

- 20 minute labeled wood doors
- One and a half hour labeled hollow metal and composite-core wood fire doors
- Three hour labeled hollow metal doors

Maximum Door Opening:

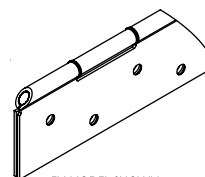
Single Doors: 4'0" x 10'0"

Pair of Doors: 8'0" x 10'0"



In accordance with UL10C for positive pressure.

## Behavioral Health Hinges



FM MODEL SHOWN

**PEMKO**  
**ASSA ABLOY**

Experience a safer  
and more open world

800-824-3018 | [www.pemko.com](http://www.pemko.com)

Check the web site for the up-to-date catalog

Copyright © 2015-2023, ASSA ABLOY Accessories and Door Controls Group, Inc., an ASSA ABLOY Group company. All rights reserved. Reproduction in whole or in part without the express written permission of ASSA ABLOY Accessories and Door Controls Group, Inc. is prohibited.

# STANDARD POWDER COAT FINISHES

## Tough, Durable, Long-Lasting

Designed for general purpose interior and exterior use and applications where maximum chemical and solvent resistance is required.

## Performance Properties

The data below is based on 24 gauge Bonderite 1000 panels with 1.5 mil to 2.0 mil of high gloss formulation.

Adhesion (ASTM D-3359B): There is no lifting of 1/8" squares of coating between scribed lines in crosshatch adhesion testing using pressure sensitive adhesive backed tape.

Pencil Hardness (ASTM D-3363): 2H - 4H

Flexibility (ASTM D-522 modified): The coating withstands a 180° bend over a 1/4" diameter mandrel without cracking or loss of adhesion.

Impact Resistance (ASTM D 2794 modified): The coating withstands 160 inch-pound impacts, both direct and reverse, without cracking or loss of adhesion using the standard Gardner impact tester.

Abrasion Resistance (ASTM D-4060 modified): The weight loss of coating after 1,000 cycles on a Taber abraser equipped with CS-10 wheels and operating under a 1 kilogram loading per wheel is on the order of 35 to 50 milligrams.

Salt Spray Resistance (ASTM B-117): Bonderite 1000 steel panels, in a scribed condition, exhibit no undercutting after 1,000 hours in 5% salt spray testing at 95°F and 95% relative humidity. There was no rusting or blistering on the panel face away from the scribe.

Humidity Resistance (ASTM D-2247): Bonderite 1000 steel panels in an unscribed condition exhibit no effect after 1000 hours exposure to 100% relative humidity at 100°F.

Chemical and Solvent Resistance: After 60 days immersion in the test fluid, the following data was obtained for epoxy powder coatings:

15% Hydraulic Acid	No Effect
Lacquer Thinner	No Effect
Dilute "HTH" Pool Chemical	No Effect
15% Sulfuric Acid	Pinhole Rust
15% Caustic Soda	#8 Blisters
Ammonia Hydroxide	#8 Blisters
Petrochloroethylene	No Effect
15% Acetic Acid	#4 Blisters
Gasoline	No Effect

Verification of resistance properties should be made for each chemical or solvent proposed for use with the coating.

## Closest US Standard & BHMA Finishes

No minimum quantity.

PC-1	Dark Oxidized Satin Bronze	10BE
PC-2	White Suede	714
PC-3	Black Suede (BSP)	693
PC-4	Aluminum	689
PC-5	Sun Gold	706
PC-6	Light Copper	691
PC-7	Polished Brass	605

PC-7 available only on 100 & 300 series hinges

\*NOTE: The PC-7 will have an additional charge for two-step polishing process.

## Special Finishes

Polished Aluminum	US26	672
Polished Stainless	US32	629
Kynar Paint	With Color Approval	

\*NOTE: Additional setup charges will apply.

## Special Anodized Finishes

Gold Anodized	US3	310
Light Bronze Anodized	US9	311
Medium Bronze Anodized		312
Black Anodized	US19	315

## Custom Powder Coat Finishes

All RAL Powder Coat finishes available. Sample color chip must accompany order. Priced at time of order.

## U.S. Standard & B.H.M.A. Finish Codes

US3	310	gold anodized
US9	311	light bronze anodized
	312	medium bronze anodized
US20A	313	dark bronze anodized
US19	315	black anodized
USP	600	primed for paint
US2G	603	zinc plated
US28	628	clear anodized
US32	629	bright Stainless Steel
US32D	630	satin Stainless Steel
US26	672	bright polished aluminum
US28	689	aluminum paint
US20A	690	dark bronze paint
US10	691	light bronze paint
US19	693	black paint
US4	706	gold paint
	714	white paint

**PEMCO**  
**ASSA ABLOY**

Experience a safer  
and more open world

# HINGE NUMBERING SYSTEM

## Hinge Prefixes

EG	Edge Guard
FM	Edge Mount
FS	Full Surface
HG	Hinge/Guard
HM	Half Mortise
HS	Half Surface
SC	Swing Clear

## Hinge Series

This series number indicates the type of hinge and base material used:

100	Aluminum barrel hinges with stainless pin
200	Carbon steel barrel hinges with stainless pin
300	Stainless steel barrel hinges with stainless pin
400	Spring loaded aluminum toilet partition hinge
600	14 Gauge 316 stainless steel pin and barrel security hinges
900	Spring loaded stainless steel toilet partition hinges
1900	Reinforcing pivots
3500	12 Gauge stainless steel pin and barrel security hinges

## Hinge Models

The last two digits of the model number indicate the application:

00	Edge mount (formerly full mortise)
01	Full surface, 1/8" offset
02	Full surface, flush
03	Half surface, 1/8" offset
04	Half mortise, 1/8" offset
05	Edge mount hinge/guard
06	Half mortise hinge/guard
07	Double hinge/guard
08	Edge guard
09	Full surface, swing clear
10	Swing clear hinge/guard
11	Edge mount, self aligning
15	Edge mount, self aligning flush edge guard
21	Full surface inset, 3/4" offset
22	Edge mount hinge/guard, deep
23	Edge mount hinge/guard, deep, thru bolt
25	Edge mount swing clear
26	Edge mount hinge/guard, swing clear
27	Edge mount, safety hinge
29	Edge mount, self aligning

Other numbers are used for specific applications

## Optional Suffixes

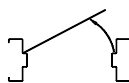
AMS	Adjustable Monitoring Switch
CTP	Current Transfer Preparation
DDP	Dutch Door Prep
EL	ElectroLynx® Wires (Specify 4, 8, or 12)
ETAP	Electrical Transfer Access Prep
EPT	Electric Power Transfer
HT	Hospital Tip
LL	Lead Lined
PC	Powder Coated
RB	Raised Barrel
WT	Wide Throw
PoE	Power over Ethernet

## Hinge Standard Lengths

### Standard Hinge Length Conversion Chart

A 6'8"	door opening	=	actual length	79 <sup>3</sup> / <sub>16</sub> "
A 7'0"	door opening	=	actual length	83 <sup>1</sup> / <sub>8</sub> "
A 7'2"	door opening	=	actual length	85 <sup>1</sup> / <sub>8</sub> "
A 8'0"	door opening	=	actual length	95"
A 10'0"	door opening	=	actual length	118 <sup>3</sup> / <sub>4</sub> "

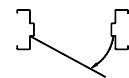
Custom hinge length will be evaluated at the time of request to ensure proper pin to knuckle alignment. Some custom length requests may be adjusted to ensure a proper hinge assembly. Specify handing on all custom hinge lengths.



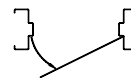
LEFT HAND



RIGHT HAND



LEFT HAND REVERSE



RIGHT HAND REVERSE

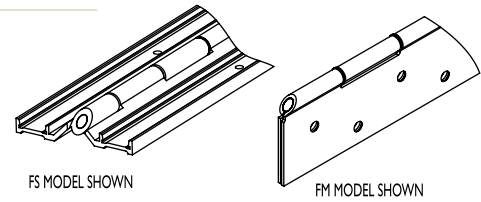
# CONTINUOUS HINGE MODIFICATIONS

## Special Length

Please specify handing on all custom hinge lengths  
 Some custom lengths may require two cuts due to location of screw holes

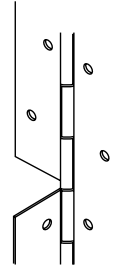
## Hospital Tip

Available on all models except spring-loaded toilet partition hinges, FS321 and FM327. Handing needed on some models and all cut down lengths.  
 Suffix hinge "-HT"  
 Helps provide a safe, clean environment



## Dutch Door Prep

Available on all hinge models  
 Suffix hinge "-DDP"  
 Continuous frame leaf with two-piece door leaf  
 Indicate handing, clearances, door and frame heights, and materials when ordering

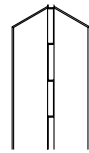


## Wide Throw

Only available on 300 and 3500 series hinges  
 Markar Custom Hinge Information Form must be filled out  
 Reinforcement may be required on extreme wide throw applications  
 These conditions will be determined through a drawing approval process

## Blank

Holes omitted for special applications, such as welded installation  
 Not available on adjustable models



## Welded End Pins

End pins are tack-welded and are non-removeable  
 Not available on aluminum, powder coated hinges and 200 series hinges

## Plug Weld

Plug welding hole prep

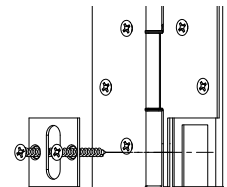
## Automatic Door Bottom Cut

Standard "U" shape cut accepts most automatic door bottoms  
 Make and model are needed

## Removable Auto Door Bottom Prep (RADBP)

Auto door bottom cut out with cover plate

- FMPLATE (FM300, HM304, FM/SC325)
- HGPLATE (HG306, HG311, HG315, HG329)
- HGADJPLATE (HG305, HG310, HG326) FM3500PLATE (FM3500)

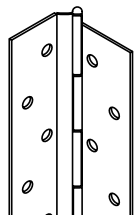


Experience a safer and more open world

800-824-3018 | www.pemko.com  
 Check the web site for the up-to-date catalog

Copyright © 2015-2023, ASSA ABLOY Accessories and Door Controls Group, Inc., an ASSA ABLOY Group company. All rights reserved. Reproduction in whole or in part without the express written permission of ASSA ABLOY Accessories and Door Controls Group, Inc. is prohibited.

## CONTINUOUS HINGE MODIFICATIONS (CONT.)

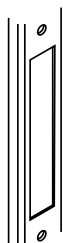


### Raised Barrel (Swaged)

Available on all edge mount, half surface, and half mortise models except on aluminum hinges

Suffix hinge "-RB"

For cased open or center pivot doors



### Standard Edge Guard Cut-Outs

The Edge Guard Order form must be filled out to properly locate the hardware cut-outs

4<sup>7</sup>/<sub>8</sub>" ASA strike

161 latch

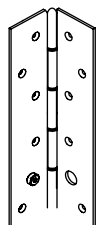
161 strike

86 mortise

Manual flush bolt

Automatic flush bolt

Fire bolt



### Security Studs

Stainless Steel security studs mounted to the frame leaf

Door leaf is drilled to accommodate studs

Three studs installed on hinges up to 7'2"

Four studs installed on hinges over 7'2"

Door and frame must be specially prepared to accommodate security studs

### Custom Design

The engineering department will assist you in developing custom applications to solve any of your unique door hinging problems. This includes Sheared Leaf or Custom Hole Pattern modifications.

Markar Custom Hinge Information Form must be filled out

### Lead Lined (Standard 4 Lbs./SQ.FT.)

Used for X-ray room doors and other locations where radiation leakage could be a problem

Available on surface mounted hinges and Markar EGT308 edge guard

## CONTINUOUS HINGE MODIFICATIONS *(Cont.)*

### EL ElectroLynx® Current Transfer

EL4 For 300, 3500, 200, and 100 series edge mount only.  
 2 wires at 22 gauge and 2 wires at 26 gauge - with ElectroLynx® connectors (4 wire)  
 EL8 For 300, 3500, 200, and 100 series edge mount only.  
 2 wires at 22 gauge and 6 wires at 26 gauge - with ElectroLynx® connectors (8 wire)  
 EL12 For 300, 3500, 200, and 100 series edge mount only.  
 2 wires at 22 gauge and 10 wires at 26 gauge - with ElectroLynx® connectors (12 wire)  
 \*We recommend an Electrical Transfer Access Prep (ETAP) with all ElectroLynx® modifications  
 Replacement wire harness available (EL4-REPLKIT, EL8-REPLKIT & EL12-REPLKIT)

*ElectroLynx®*

*As part of their promise to provide innovative, fast and effective high security solutions to their customers, certain ASSA ABLOY Group brands offer ElectroLynx®, a universal quick-connect system that simplifies the electrification of the door opening.*

*ElectroLynx® is a registered trademark of ASSA ABLOY Inc.*

### PoE (Power over Ethernet) ElectroLynx® Power and Data Transfer

PoE for most 3500, 600, 300, 200 and 100 series edge mount continuous hinges- with ElectroLynx® connectors (9 wire). Electrical Transfer Access Prep (ETAP) included.

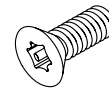
### ETAP Electrical Transfer Access Prep

Cutout prep for the AMS and EL modifications. This allows for easy, one-person access to wiring between the hinge and door



### Security Fasteners

Specify Torx or Torx-Pin security fasteners in lieu of standard fasteners  
 Contact factory for compatible models



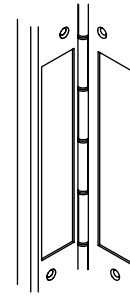
### CTP Current Transfer Prep

Centerline of hinge is standard location  
 Hinge leaf cutout to accommodate Markar's EPT Electric Power Transfer or other manufacturers' power transfer units  
 Please provide center line location (from top of hinge to centerline of prep) and handing for all prep locations - see CTP Form on Page 79  
 Order form required; available online.

### EPT Electric Power Transfer Units

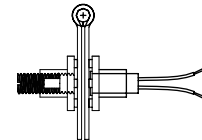
EL-EPT	Stamped steel, for up to 105° opening
EL-EPTL	Stamped steel, long for 180° opening
EL-EPT-SC	Stamped steel, for swing clear hinges
EL-CEPTx32D	Cast Stainless Steel, satin
EL-CEPTx10B	Cast Stainless Steel, oil rubbed bronze

12-Wire with ElectroLynx® connectors standard on all power transfer units  
 CTP prep is additional charge  
 Note: Ordering EPT unit does not constitute CTP prep on hinge  
 Order form required, available online.



### AMS Adjustable Monitoring Switch

Rigid welded assembly gives you the ability to adjust your monitoring switch to work with all applications 300 and 3500 Series  
 Rating: 30v AC/DC .25 amps MAX  
 We recommend an Electrical Transfer Access Prep (ETAP) with this modification.



Experience a safer and more open world

800-824-3018 | [www.pemko.com](http://www.pemko.com)  
 Check the web site for the up-to-date catalog

Copyright © 2015-2023, ASSA ABLOY Accessories and Door Controls Group, Inc., an ASSA ABLOY Group company. All rights reserved. Reproduction in whole or in part without the express written permission of ASSA ABLOY Accessories and Door Controls Group, Inc. is prohibited.



# MARKAR 3500 SERIES STAINLESS STEEL PIN & BARREL CONTINUOUS HINGES

## Short Form Architectural Specification:

Continuous hinges shall be full height piano-type hinge providing full height door support.

- Supports weights up to 900 lbs. 4'0" maximum door width
- Material to be 12 gauge (.105) Stainless Steel
- .187" diameter Stainless Steel pin (rod)
- Each knuckle 2", including nylon bearing at each separation for a quiet, smooth, self-lubricating operation
- Finish: US32D Satin Stainless Steel (630)  
Optional Finish: US32 Bright Stainless Steel (629), Scratch-Resistant Powder Coated Paint.
- All hinges shall be furnished with manufacturer's recommended hardware pack per specific model application
- Must be able to carry UL label for fire rated doors and frames up to 3 hours
- Hinges shall meet ANSI/BHMA Standard A 156.26 Grade 1
- Symmetrically templated hole pattern

*Note: 25-Year Warranty on Continuous Pin & Barrel Hinges*

*Note: Fire label for doors and frames should be placed on the header and top rail of fire rated doors and frames*

## MARKAR FM3500 EDGE MOUNT SECURITY HINGE

### Standard Features

#### Barrel Type Hinge

.187" diameter Stainless Steel pin (rod)  
Medical bearings  
Stainless Steel end pins

#### Material

Heavy-duty 12 gauge (.105") Stainless Steel

#### Finishes

US32D Satin Stainless Steel (630)

#### Hospital Tip

Standard

#### Standards

ANSI/BHMA Standard A156.26 Grade 1

#### Hole Pattern

Symmetrically templated

#### Mounting Hardware

Fasteners concealed when door is closed

Custom 12-24 x 7/16" S.S Phillips Flat Head Undercut Machine Screw

#### Capacity

Supports weights up to 900lbs. 4'0" maximum door width

#### Standard Sizes

6'8", 7'0", 7'2", 8'0", 10'0"

#### Handing

Handing not required on standard hinges. Specify handing when ordering a hinge with modification

#### Fire Rating

3 hours- hollow metal doors  
90 minutes- hollow metal and composite  
20 minutes- wood doors



Classified in accordance with UL10C for positive pressure



Fire-rated label

#### Windstorm

Evaluated in accordance with TAS 201-14, TAS 202-14, TAS 203-14, ASTM E330, ASTM E1886, ASTM E1996 and ANSI A250.13.

### Optional Features

#### Finish

US32 Bright Stainless Steel (629)  
Scratch-Resistant Powder Coated Paint

#### Hole Patterns

Plug weld hole pattern  
Custom hole pattern

#### Fasteners

Tamper-proof security screws

#### Other Features

Custom lengths - specify in inches  
Dutch door hinges - suffix "DDP"  
Raised barrel - suffix "RB"  
Welded End Pins  
Security studs

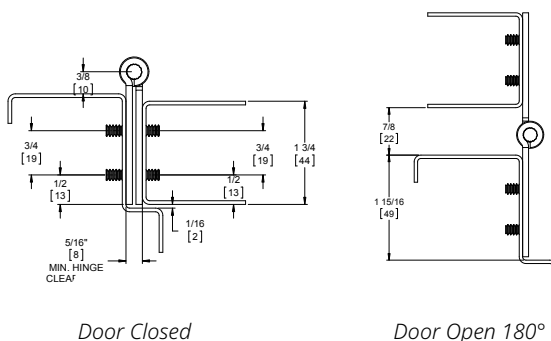
#### Electrical Modifications

Adjustable Monitoring Switch - suffix "AMS"  
Current Transfer Prep - suffix "CTP"  
Electrical Transfer Access Prep - "ETAP"

#### ElectroLynx®

EL4 (4 wire), EL8 (8 wire), EL12 (12 wire)  
PoE (9 wire)

This edge mount pin and barrel type hinge is fabricated with extra-heavy duty components for use on high traffic, high abuse doors. The hinge is specially designed and well suited for correctional facilities and other high security locations using up to 2 1/4" thick swing-type doors. Prison doors, gates, extremely tall doors and extra heavy doors are all good candidates for Markar's 3500 Security Hinge.



800-824-3018 | [www.pemko.com](http://www.pemko.com)

Check the web site for the up-to-date catalog

Copyright © 2015-2023, ASSA ABLOY Accessories and Door Controls Group, Inc., an ASSA ABLOY Group company. All rights reserved. Reproduction in whole or in part without the express written permission of ASSA ABLOY Accessories and Door Controls Group, Inc. is prohibited.

**PEMKO**  
**ASSA ABLOY**

Experience a safer  
and more open world

# MARKAR FS3501 1/8" INSET FULL SURFACE SECURITY HINGE

## Standard Features

### Barrel Type Hinge

.187" diameter Stainless Steel pin (rod)  
 Medical bearings  
 Stainless Steel end pins

### Material

Heavy-duty 12 gauge (.105")  
 Stainless Steel

### Finishes

US32D Satin Stainless Steel (630)  
 Hospital Tip Standard

### Standards

ANSI/BHMA Standard A156.26  
 Grade 1

### Mounting Hardware

Custom 12-24 x 7/16" S.S Phillips  
 Flat Head Undercut Machine  
 Screw

### Capacity

Supports weights up to 900lbs.  
 4'0" maximum door width

### Standard Sizes

6'8", 7'0", 7'2", 8'0", 10'0"

### Hole Pattern


Symmetrically templated


### Handing

Specify handing

### Fire Rating

3 hours- hollow metal doors  
 90 minutes- hollow metal and composite  
 20 minutes- wood doors

 Classified in accordance with UL10C  
 for positive pressure

 Fire-rated label

## Optional Features

### Finish

US32 Bright Stainless Steel (629)  
 Scratch-Resistant Powder Coated Paint

### Hole Patterns

Plug weld hole pattern  
 Custom hole pattern

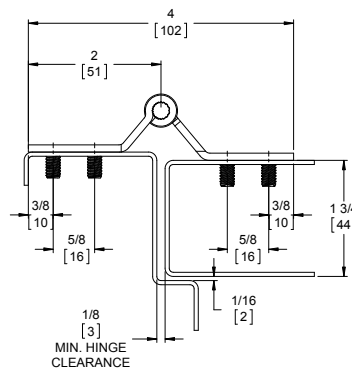
### Fasteners

Tamper-proof security screws

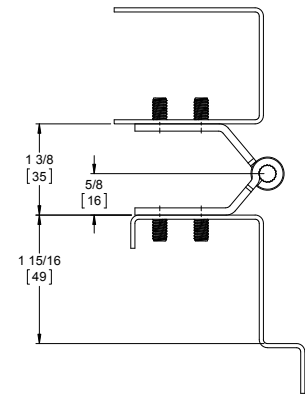
### Other Features

Custom lengths – specify in inches  
 Dutch door hinges – suffix "DDP"  
 Welded End Pins

For 1/8" inset doors. This hinge allows for perfect alignment for the retrofitting of doors in correctional facilities and other high security locations using 2" thick swing-type doors. Prison doors, gates, extremely tall doors and extra heavy doors are all good candidates for Markar's 3501 Security Hinge.



Door Closed



Door Open 180°



Experience a safer  
 and more open world

800-824-3018 | [www.pemko.com](http://www.pemko.com)  
 Check the web site for the up-to-date catalog

Copyright © 2015-2023, ASSA ABLOY Accessories and Door Controls Group, Inc., an ASSA ABLOY Group company. All rights reserved. Reproduction in whole or in part without the express written permission of ASSA ABLOY Accessories and Door Controls Group, Inc. is prohibited.

# MARKAR FS3502 FLUSH FULL SURFACE SECURITY HINGE

## Standard Features

### Barrel Type Hinge

.187" diameter Stainless Steel pin (rod)  
Stainless Steel end pins  
Medical bearings

### Material

Heavy-duty 12 gauge (.105")  
Stainless Steel

### Finishes

US32D Satin Stainless Steel (630)  
Hospital Tip Standard

### Standards

ANSI/BHMA Standard A156.26 Grade 1

### Mounting Hardware

Custom 12-24 x 7/16" S.S Phillips  
Flat Head Undercut Machine  
Screw

### Capacity

Supports weights up to 900lbs.  
4'0" maximum door width

### Standard Sizes

6'8", 7'0", 7'2", 8'0", 10'0"

### Hole Pattern

Symmetrically templated

### Handing

Handing not required on standard  
hinges Specify handing when  
ordering a hinge with modification

### Fire Rating

3 hours- hollow metal doors 90  
minutes- hollow metal and composite  
20 minutes- wood doors



Classified in accordance with  
UL10C for positive pressure



Fire-rated label

## Optional Features

### Finish

US32 Bright Stainless Steel (629)  
Scratch-Resistant Powder Coated Paint

### Hole Patterns

Plug weld hole pattern  
Custom hole pattern

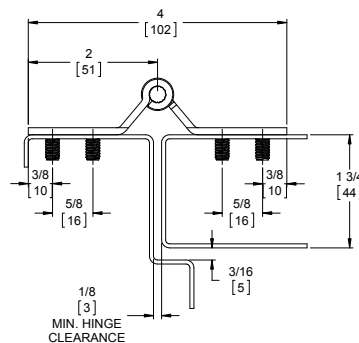
### Fasteners

Tamper-proof security screws

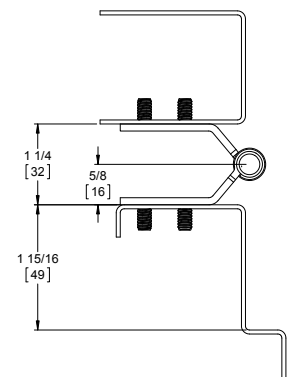
### Other Features

Custom lengths - specify in inches  
Dutch door hinges - suffix "DDP"  
Welded End Pins

This surface-mounted pin and barrel type hinge is fabricated with extra-heavy duty components and designed for solving door sag problems on high traffic, high abuse doors. This hinge is well suited for correctional facilities and other high security locations using 2" thick swing-type doors. Prison doors, gates extremely tall doors and extra heavy doors are all good candidates for Markar's 3502 Security Hinge.



Door Closed



Door Open 180°

800-824-3018 | [www.pemko.com](http://www.pemko.com)

Check the web site for the up-to-date catalog

Copyright © 2015-2023, ASSA ABLOY Accessories and Door Controls Group, Inc., an ASSA ABLOY Group company. All rights reserved.  
Reproduction in whole or in part without the express written permission of ASSA ABLOY Accessories and Door Controls Group, Inc. is prohibited.

**PEMKO**  
**ASSA ABLOY**

Experience a safer  
and more open world

# MARKAR HG3505 ADJUSTABLE HINGE GUARD

## Standard Features

### Barrel Type Hinge

.187" diameter Stainless Steel pin (rod)  
Medical bearings  
Stainless Steel end pins

### Material

Heavy-duty 12-gauge (.105") Stainless Steel hinge leaves  
14 gauge Stainless Steel angle on door leaf

### Finishes

US32D Satin Stainless Steel (630)  
Hospital Tip Standard

### Standards

ANSI/BHMA Standard A156.26  
Grade 1

### Mounting Hardware

Custom 12-24 x <sup>7</sup>/<sub>16</sub>" S.S Phillips Flat Head Undercut Machine Screw

### Capacity

Supports weights up to 900lbs.  
4'0" maximum door width

### Standard Sizes

6'8", 7'0", 7'2", 8'0", 10'0"

### Hole Pattern

Symmetrically templated

### Handing

Specify handing



### Fire Rating

3 hours- hollow metal doors  
90 minutes- hollow metal and composite 20 minutes- wood doors



Classified in accordance with UL10C for positive pressure

Fire-rated label

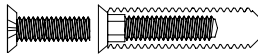
## Optional Features

### Finish

US32 Bright Stainless Steel (629)  
Scratch-Resistant Powder Coated Paint

### Mounting Hardware

Tamper-proof security screws  
Adjust-A-Screw™ for correcting alignment problems up to <sup>3</sup>/<sub>8</sub>"



### Other Features

Custom lengths - specify in inches  
Custom hole pattern  
Dutch door hinges - suffix "DDP"  
Raised barrel - suffix "RB"  
Welded end pins  
Security studs

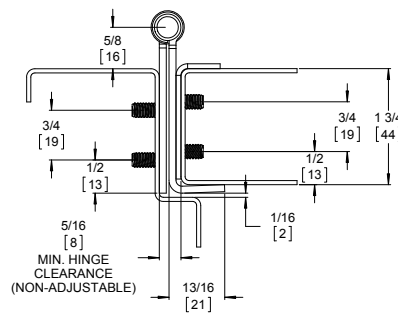
### Electrical Modifications

Adjustable Monitoring Switch - suffix "AMS"  
Current Transfer Prep - suffix "CTP"  
Electronic Transfer Access Prep - suffix "ETAP"

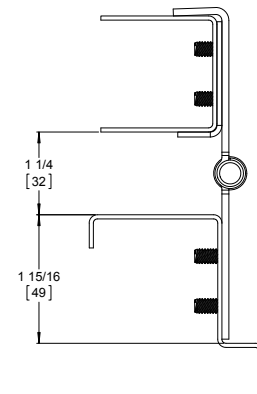
### ElectroLynx®

EL4 (4 wire), EL8 (8 wire), EL12 (12 wire)  
PoE (9 wire)

The integral hinge guard protects the door from dings and gouges from carts and gurneys while providing clean lines and aesthetic appearance. Our HG products also have fire ratings up to and including 3 hours.



Door Closed



Door Open 180°



Experience a safer and more open world

800-824-3018 | [www.pemko.com](http://www.pemko.com)  
Check the web site for the up-to-date catalog

Copyright © 2015-2023, ASSA ABLOY Accessories and Door Controls Group, Inc., an ASSA ABLOY Group company. All rights reserved. Reproduction in whole or in part without the express written permission of ASSA ABLOY Accessories and Door Controls Group, Inc. is prohibited.

# MARKAR 600 SERIES STAINLESS STEEL PIN & BARREL CONTINUOUS HINGES

## Short Form Architectural Specification:

Continuous hinges shall be full height piano-type hinge providing full height door support.

- Supports weights up to 600 lbs. 4' 0" maximum door width
- Material to be 14 gauge 316 Stainless Steel
- .187" diameter Stainless Steel pin (rod)
- Exterior barrel diameter .438" (7/16")
- Each knuckle 2", including nylon bearing at each separation for a quiet, smooth, self-lubricating operation
- Finish: US32D Satin Stainless Steel (630)  
Optional Finish: US32 Bright Stainless Steel (629), Scratch-Resistant Powder Coated Paint.
- All hinges shall be furnished with manufacturer's recommended hardware pack per specific model application
- Must be able to carry Warnock Hersey Int. or UL for fire rated doors and frames up to 3 hours
- Hinges shall meet ANSI/BHMA Standard A 156.26 Grade 1
- Symmetrically templated hole pattern

NOTE: 25-Year Warranty on Continuous Pin & Barrel Hinges

NOTE: Fire label for doors and frames should be placed on the header and top rail of fire rated doors and frames

# MARKAR FM600 316 SS EDGE MOUNT HINGE

## Standard Features

### Barrel Type Hinge

.187" diameter Stainless Steel pin (rod)  
Medical bearings  
Stainless Steel end pins

### Material

Heavy duty 14 gauge 316 stainless steel

### Finishes

US32D Satin Stainless Steel (630)

### Standards

ANSI/BHMA Standard A156.26 Grade 1

### Hole Pattern

Symmetrically templated

### Mounting Hardware

Fasteners concealed when door is closed  
Custom 12-24 x 11/16" S.S Phillips Flat Head Undercut TEK Screws

### Capacity

Supports weights up to 600 lbs. 4'0" maximum door width

### Standard Sizes

6'8", 7'0", 7'2", 8'0", 10'0"

### Handing

Handing not required on standard hinges. Specify handing when ordering a hinge with modification.

### Rating

3 hours- hollow metal doors 90 minutes- hollow metal and composite core wood fire doors  
20 minutes- wood doors



Classified in accordance with UL10C for positive pressure

Fire-rated label

### Windstorm

Evaluated in accordance with TAS 201-14, TAS 202-14, TAS 203-14, ASTM E330, ASTM E1886, ASTM E1996 and ANSI A250.13

## Optional Features

### Finishes

Scratch-Resistant Powder Coated Paint

### Fasteners

Tamper-proof security screws

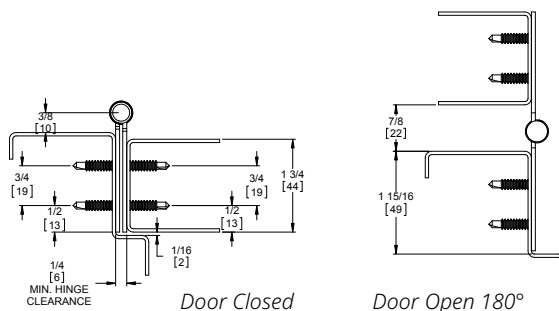
### Other Features

Custom lengths- specify in inches  
Custom hole pattern  
Dutch door hinges- suffix "DDP"  
Hospital tips - suffix "HT"  
Raised barrel - suffix "RB"  
Welded end pins  
Security studs.

### Electrical Modifications

Adjustable Monitoring Switch - "AMS"  
Current Transfer Prep - suffix "CTP"  
Electrical Transfer Access Prep - suffix "ETAP"  
**ElectroLynx®**  
EL4 (4 wire), EL8 (8 wire), EL12 (12 wire)  
PoE (9 wire)

This superior corrosion resistant edge mounted pin & barrel hinge is used in high chloride, sodium and sulfurous acid environments. This hinge works well in marine type environments.



800-824-3018 | www.pemko.com

Check the web site for the up-to-date catalog

Copyright © 2015-2023, ASSA ABLOY Accessories and Door Controls Group, Inc., an ASSA ABLOY Group company. All rights reserved. Reproduction in whole or in part without the express written permission of ASSA ABLOY Accessories and Door Controls Group, Inc. is prohibited.

**PEMCO**  
**ASSA ABLOY**

Experience a safer  
and more open world

# MARKAR 300 SERIES STAINLESS STEEL PIN & BARREL CONTINUOUS HINGES

## Short Form Architectural Specification:

Continuous hinges shall be full height piano-type hinge providing full height door support.

- Supports weights up to 600 lbs. 4' 0" maximum door width
- Material to be 14 gauge Stainless Steel
- .187" diameter Stainless Steel pin (rod)
- Exterior barrel diameter .438" (7/16")
- Each knuckle 2", including nylon bearing at each separation for a quiet, smooth, self-lubricating operation
- Finish: US32D Satin Stainless Steel (630)  
Optional Finish: US32 Bright Stainless Steel (629), Scratch-Resistant Powder Coated Paint.
- All hinges shall be furnished with manufacturer's recommended hardware pack per specific model application
- Must be able to carry Warnock Hersey Int. or UL for fire rated doors and frames up to 3 hours
- Hinges shall meet ANSI/BHMA Standard A 156.26 Grade 1
- Symmetrically templated hole pattern

NOTE: 25-Year Warranty on Continuous Pin & Barrel Hinges

NOTE: Fire label for doors and frames should be placed on the header and top rail of fire rated doors and frames

# MARKAR FM300 EDGE MOUNT HINGE

## Standard Features

### Barrel Type Hinge

.187" diameter Stainless Steel pin (rod)  
Medical bearings  
Stainless Steel end pins

### Material

Heavy-duty 14 gauge Stainless Steel

### Finishes

US32D Satin Stainless Steel (630)

### Standards

ANSI/BHMA Standard A156.26 Grade 1

### Hole Pattern

Symmetrically templated

### Mounting Hardware

Fasteners concealed when door is closed  
Custom 12-24 x 11/16" S.S Phillips Flat Head Undercut TEK Screws

### Capacity

Supports weights up to 600 lbs.  
4'0" maximum door width

### Standard Sizes

6'8", 7'0", 7'2", 8'0", 10'0"

### Handing

Handing not required on standard hinges. Specify handing when ordering a hinge with modification.

### Rating

3 hours- hollow metal doors 90 minutes- hollow metal and composite core wood fire doors



20 minutes- wood doors

Classified in accordance with UL10C for positive pressure



Fire-rated label

Windstorm

Evaluated in accordance with TAS 201-94, TAS 202-94, TAS 203-94, ASTM E330, ASTM E1886, ASTM E1996 and ANSI A250.13

## Optional Features

### Finishes

Scratch-Resistant Powder Coated Paint

### Fasteners

Tamper-proof security screws

### Other Features

Custom lengths- specify in inches  
Custom hole pattern

Dutch door hinges- suffix "DDP"

Hospital tips - suffix "HT"

Raised barrel - suffix "RB"

Welded end pins

Security studs.

### Electrical Modifications

Adjustable Monitoring Switch - "AMS"

Current Transfer Prep - suffix "CTP"

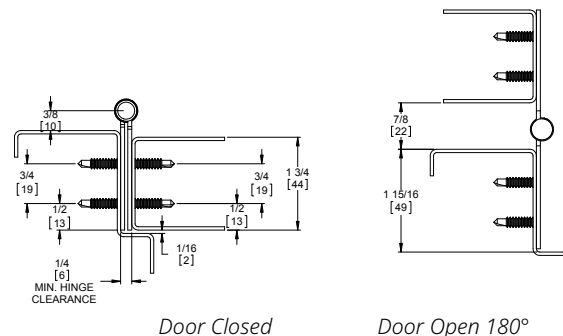
Electrical Transfer Access Prep - suffix "ETAP"

### ElectroLynx®

EL4 (4 wire), EL8 (8 wire), EL12 (12 wire)

PoE (9 wire)

This edge-mounted pin & barrel hinge is used on many of today's high traffic, high abuse doors. The hinge works well in locations that would normally call out for anchor hinges, pivot reinforcement hinges or thrust pivot unit and hinge sets. This hinge saves on special door and frame preparation charges and makes the installer's job easier. It can be used on both fire labeled and non-labeled openings.



Experience a safer and more open world

800-824-3018 | www.pemko.com

Check the web site for the up-to-date catalog

Copyright © 2015-2023, ASSA ABLOY Accessories and Door Controls Group, Inc., an ASSA ABLOY Group company. All rights reserved. Reproduction in whole or in part without the express written permission of ASSA ABLOY Accessories and Door Controls Group, Inc. is prohibited.

# MARKAR FM300WT WIDE THROW EDGE MOUNT HINGES

## Standard Features

### Barrel Type Hinge

.187" diameter Stainless Steel pin (rod)  
Medical bearings  
Stainless Steel end pins

### Material

Heavy-duty 14 gauge Stainless Steel  
Heavy-duty 12 gauge support angles, where applicable

### Finishes

US32D Satin Stainless Steel (630)

### Standards

ANSI/BHMA Standard A156.26 Grade 1

### Mounting Hardware

Custom 12-24 x 1<sup>1</sup>/<sub>16</sub>" S.S Phillips  
Flat Head Undercut TEK Screws

### Capacity

Weight: Consult factory  
4'0" maximum door width

### Standard Sizes

6'8", 7'0", 7'2", 8'0", 10'0"

### Hole Pattern

Symmetrically templated

### Handing

Handing not required on standard hinges. Specify handing when ordering a hinge with modification

### Fire Rating

3 hours- hollow metal doors  
90 minutes- hollow metal and composite core wood fire doors  
20 minutes- wood doors



Classified in accordance with UL10C for positive pressure



Fire-rated label

## Optional Features

### Finishes

Scratch-Resistant Powder Coated Paint

### Fasteners

Tamper-proof security screws

### Other Features

Custom lengths- specify in inches

Custom hole pattern

Dutch door hinges- suffix "DDP"

Hospital tips - suffix "HT"

Welded end pins

Security studs

### Electrical Modifications

Adjustable Monitoring Switch - suffix "AMS"

Current Transfer Prep - suffix "CTP"

Electrical Transfer Access Prep - suffix "ETAP"

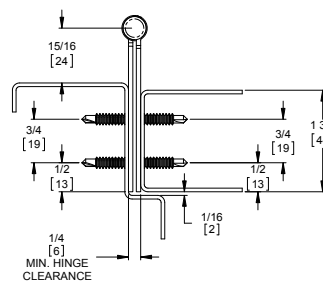
### ElectroLynx®

EL4 (4 wire), EL8 (8 wire), EL12 (12 wire)

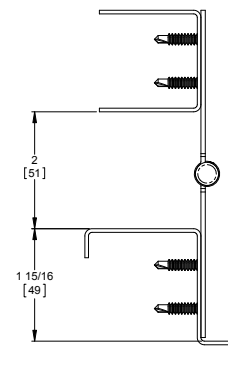
- Available for WT10
- Available only with ETAP for all other WT models; extended lead times apply

This edge-mounted pin & barrel hinge is used on many of today's high traffic, high abuse doors. The hinge works well in locations that would normally call out for anchor hinges, pivot reinforcement hinges or thrust pivot unit and hinge sets. This hinge saves on special door and frame preparation charges and makes the installer's job easier. It can be used on both fire labeled and non-labeled openings.

FM300WT10



Door Closed

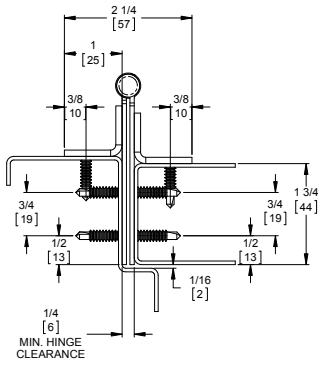


Door Open 180°

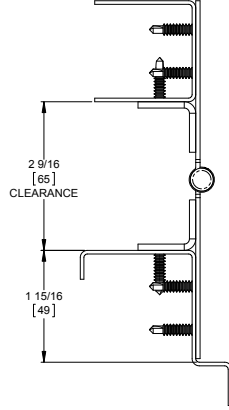
More profiles on next page

# MARKAR FM300WT WIDE THROW EDGE MOUNT HINGES *(Cont.)*

**FM300WT20**

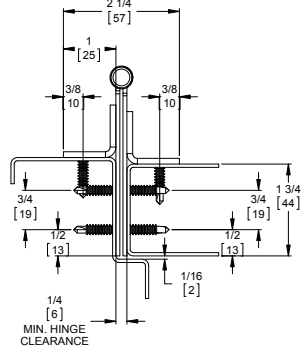


*Door Closed*

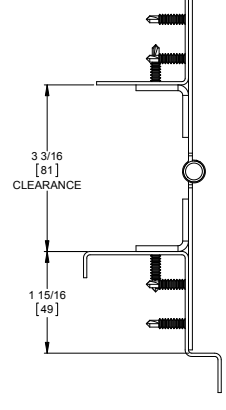


*Door Open 180°*

**FM300WT30**

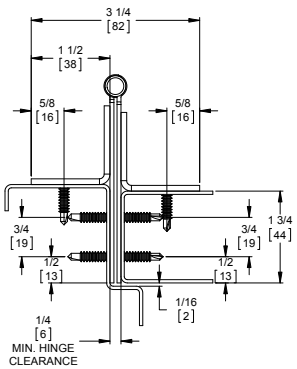


*Door Closed*

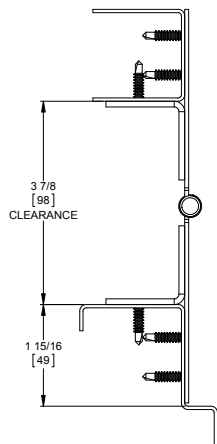


*Door Open 180°*

**FM300WT40**

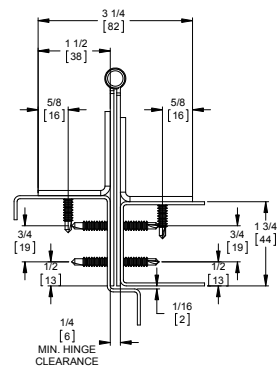


*Door Closed*

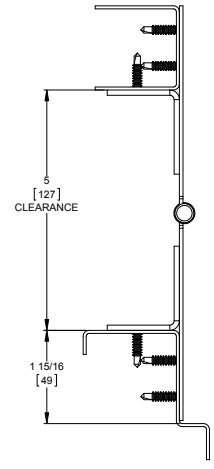


*Door Open 180°*

**FM300WT50**



*Door Closed*



*Door Open 180°*



Experience a safer  
and more open world

800-824-3018 | [www.pemko.com](http://www.pemko.com)  
Check the web site for the up-to-date catalog

Copyright © 2015-2023, ASSA ABLOY Accessories and Door Controls Group, Inc., an ASSA ABLOY Group company. All rights reserved. Reproduction in whole or in part without the express written permission of ASSA ABLOY Accessories and Door Controls Group, Inc. is prohibited.



# MARKAR FS301 1/8" INSET FULL SURFACE HINGE

## Standard Features

### Barrel Type Hinge

.187" diameter Stainless Steel pin (rod)  
Medical bearings  
Stainless Steel end pins

### Material

Heavy-duty 14 gauge Stainless Steel  
Cover - extruded aluminum

### Finishes

US32D Satin Stainless Steel (630)  
Cover - brushed aluminum

### Standards

ANSI/BHMA Standard A156.26 Grade 1

### Mounting Hardware

Fasteners concealed underneath  
aluminum cover  
1/4"-14 x 3/4" Security TORX  
TEK Screws

### Capacity

Supports weights up to 600 lbs.  
4'0" maximum door width

### Standard Sizes

6'8", 7'0", 7'2", 8'0", 10'0"

### Handing

Not required for standard 7'0",  
8'0" or 10'0". Handing required for  
6'8" and 7'2" and for most optional  
features listed

### Fire Rating

3 hours- hollow metal doors  
90 minutes- hollow metal and composite  
core wood fire doors  
20 minutes- wood doors



Classified in accordance with  
UL10C for positive pressure  
Fire-rated label

## Optional Features

### Finishes

US32 Bright Stainless Steel (629)  
Scratch-Resistant Powder Coated Paint

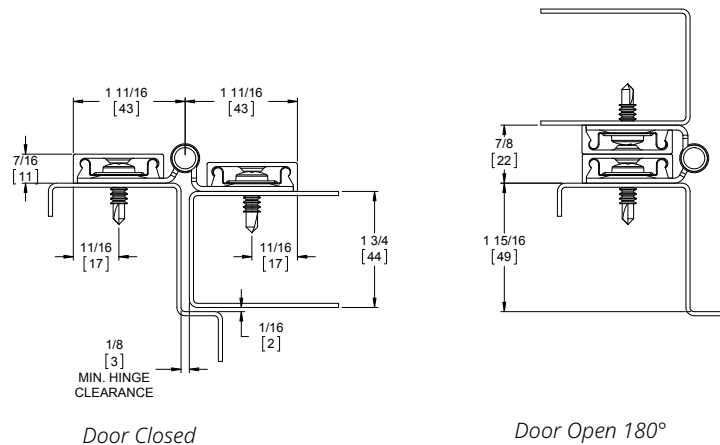
### Fasteners

1 5/8" S.S. sleeve bolts  
Tamper-proof security screws

### Other Features

Custom lengths- specify in inches  
Custom hole pattern  
Dutch door hinges - suffix "DDP"  
Hospital tips - suffix "HT"  
Lead lined covers with 4 lbs. lead  
lining - suffix "LL"  
Welded end pins

This surface-mounted pin & barrel continuous hinge can be used to repair or replace existing hinges on both fire labeled and non-labeled doors that have very tight clearances. The hinge has a built-in 1/8" offset to assist in weather seal and sound barrier areas.



# MARKAR FS302 FULL SURFACE FLUSH MOUNT

## Standard Features

### Barrel Type Hinge

.187" diameter Stainless Steel pin (rod)  
 Medical bearings  
 Stainless Steel end pins

### Material

Heavy-duty 14 gauge Stainless Steel  
 Cover - extruded aluminum

### Finishes

US32D Satin Stainless Steel (630)  
 Cover - brushed aluminum

### Standards

ANSI/BHMA Standard A156.26 Grade 1

### Mounting Hardware

Fasteners concealed underneath  
 aluminum cover  
 $\frac{1}{4}$ " - 14 x  $\frac{3}{4}$ " Security TORX  
 TEK Screws Capacity  
 Supports weights up to 600 lbs.  
 4'0" maximum door width

### Standard Sizes

6'8", 7'0", 7'2", 8'0", 10'0"

### Hole Pattern

Symmetrically templated

### Handing

Handing not required on standard  
 hinges. Specify handing when  
 ordering a hinge with modification

### Fire Rating

3 hours- hollow metal doors  
 90 minutes- hollow metal and  
 composite core wood fire doors  
 20 minutes- wood doors



Classified in accordance with  
 UL10C for positive pressure  
 Fire-rated label

## Optional Features

### Finishes

US32 Bright Stainless Steel (629)  
 Scratch-Resistant Powder Coated Paint

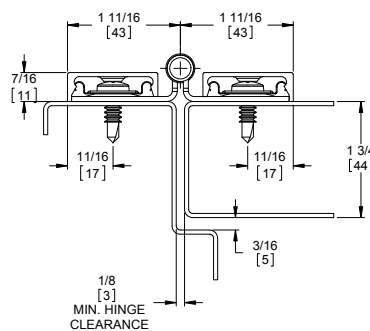
### Fasteners

$1\frac{5}{8}$ " S.S. sleeve bolts  
 Tamper-proof security screws

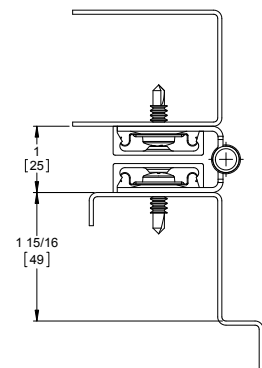
### Other Features

Custom lengths- specify in inches  
 Custom hole pattern  
 Dutch door hinges - suffix "DDP"  
 Hospital tips - suffix "HT"  
 Lead lined covers with 4 lbs. lead  
 lining - suffix "LL"  
 Welded end pins

This surface-mounted pin & barrel  
 continuous hinge can be used to  
 replace and repair existing hinges  
 on both fire labeled and non-labeled  
 doors. Designed for retrofit market.



Door Closed



Door Open 180°



Experience a safer  
 and more open world

800-824-3018 | [www.pemko.com](http://www.pemko.com)  
 Check the web site for the up-to-date catalog

Copyright © 2015-2023, ASSA ABLOY Accessories and Door Controls Group, Inc., an ASSA ABLOY Group company. All rights reserved.  
 Reproduction in whole or in part without the express written permission of ASSA ABLOY Accessories and Door Controls Group, Inc. is prohibited.

# MARKAR HS303 HALF SURFACE HINGE

## Standard Features

### Barrel Type Hinge

.187" diameter Stainless Steel pin (rod)  
Medical bearings  
Stainless Steel end pins

### Material

Heavy-duty 14 gauge Stainless Steel  
Cover - extruded aluminum

### Finishes

US32D Satin Stainless Steel (630)  
Cover - brushed aluminum

### Standards

ANSI/BHMA Standard A156.26 Grade 1

### Mounting Hardware

Fasteners concealed when door is closed  
Custom 12-24 x 11/16" S.S Phillips Flat Head Undercut TEK Screws & 1/4-14 x 3/4" Security TORX TEK Screws

### Capacity

Supports weights up to 600 lbs.  
4'0" maximum door width

### Sizes

6'8", 7'0", 7'2", 8'0", 10'0"

### Hole Pattern

Symmetrically templated

### Handing

Not required for standard 7'0", 8'0" or 10'0". Handing required for 6'8" and 7'0" and for most optional features listed

### Fire Rating

3 hours- hollow metal doors  
90 minutes- hollow metal and composite  
20 minutes- wood doors



Classified in accordance with UL10C for positive pressure



Fire-rated label

## Optional Features

### Finish

US32 Bright Stainless Steel (629)  
Scratch-Resistant Powder Coated Paint

### Fasteners

1 5/8" S.S. sleeve bolts  
Tamper-proof security screws

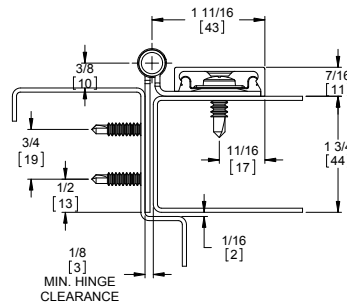
### Other Features

Custom lengths - specify in inches  
Custom hole pattern  
Dutch door hinges - suffix "DDP"  
Hospital tips - suffix "HT"  
Raised barrel - suffix "RB"  
Welded end pins  
Lead lined cover with 4 lbs. lead lining - suffix "LL"

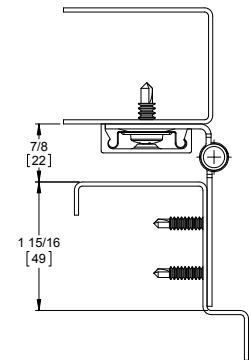
### Electrical Modifications

Current Transfer Prep (frame leaf only) - suffix "CTP"

This half-surface pin & barrel continuous hinge can be used to repair or replace existing hinges on both fire labeled openings. The hinge fits into the gap left after standard butt hinges are removed. It can assist in reversing the handing of a door, or to reverse the swing of a door hung in an evenly-rabbetted frame. (Please consult factory for instructions for unevenly-rabbetted frames.)



Door Closed



Door Open 180°

800-824-3018 | [www.pemko.com](http://www.pemko.com)

Check the web site for the up-to-date catalog

Copyright © 2015-2023, ASSA ABLOY Accessories and Door Controls Group, Inc., an ASSA ABLOY Group company. All rights reserved. Reproduction in whole or in part without the express written permission of ASSA ABLOY Accessories and Door Controls Group, Inc. is prohibited.

**PEMKO**  
**ASSA ABLOY**

Experience a safer  
and more open world

# MARKAR HM304 HALF MORTISE HINGE

## Standard Features

### Barrel Type Hinge

.187" diameter Stainless Steel pin (rod)  
 Medical bearings  
 Stainless Steel end pins

### Material

Heavy-duty 14 gauge Stainless Steel  
 Cover - extruded aluminum

### Finishes

US32D Satin Stainless Steel (630)  
 Cover - brushed aluminum

### Standards

ANSI/BHMA Standard A156.26 Grade 1

### Mounting Hardware

Fasteners concealed when door is closed  
 Custom 12-24 x 1<sup>11</sup>/<sub>16</sub>" S.S Phillips Flat Head Undercut TEK Screws & 1<sup>1</sup>/<sub>4</sub>-14 x 3<sup>3</sup>/<sub>4</sub>" Security TORX TEK Screws

### Capacity

Supports weights up to 600 lbs.  
 4'0" maximum door width

### Standard Sizes

6'8", 7'0", 7'2", 8'0", 10'0"

### Hole Pattern

Symmetrically templated

### Handing

Not required for standard 7'0", 8'0" or 10'0". Handing required for 6'8" and 7'2" and for most optional features listed

### Fire Rating

3 hours- hollow metal doors  
 90 minutes- hollow metal and composite  
 20 minutes- wood doors



Classified in accordance with UL10C for positive pressure



Fire-rated label

## Optional Features

### Finishes

US32 Bright Stainless Steel (629)  
 Scratch-Resistant Powder Coated Paint

### Fasteners

Tamper-proof security screws

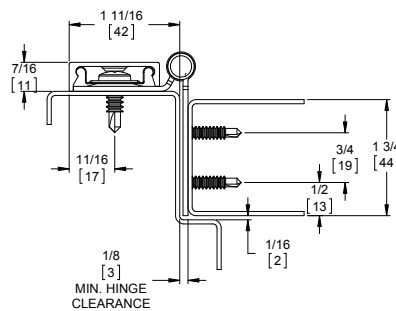
### Other Features

Custom lengths- specify in inches  
 Custom hole pattern  
 Dutch door hinges- suffix "DDP"  
 Hospital tips - suffix "HT"  
 Raised barrel - suffix "RB"  
 Welded end pins

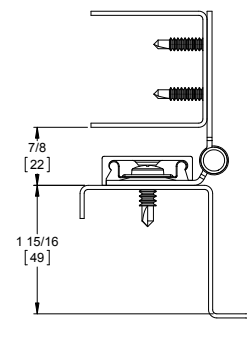
### Electrical Modifications

Current Transfer Prep (door leaf only)  
 - suffix "CTP"

This pin & barrel type hinge is used on wooden doors to hide splits, chips and dents from traffic abuse. The surface mounted frame leaf allows for easy retrofit installation.



Door Closed



Door Open 180°



Experience a safer and more open world

800-824-3018 | [www.pemko.com](http://www.pemko.com)  
 Check the web site for the up-to-date catalog

Copyright © 2015-2023, ASSA ABLOY Accessories and Door Controls Group, Inc., an ASSA ABLOY Group company. All rights reserved. Reproduction in whole or in part without the express written permission of ASSA ABLOY Accessories and Door Controls Group, Inc. is prohibited.

# MARKAR HG305 ADJUSTABLE HINGE GUARD

## Standard Features

### Barrel Type Hinge

.187" diameter Stainless Steel pin (rod)  
Medical bearings  
Stainless Steel end pins

### Material

Heavy-duty 14 gauge Stainless Steel  
Finishes  
US32D Satin Stainless Steel (630)

### Standards

ANSI/BHMA Standard A156.26 Grade 1

### Mounting Hardware

Fasteners concealed when door is closed  
Custom 12-24 x 1<sup>1</sup>/<sub>16</sub>" S.S Phillips Flat Head Undercut TEK Screws

### Capacity

Supports weights up to 600 lbs.  
4'0" maximum door width

### Standard Sizes

6'8", 7'0", 7'2", 8'0", 10'0"

### Hole Pattern

Symmetrically templated

### Handing

Not required for standard 7'0", 8'0" or 10'0". Handing required for 6'8" and 7'2" and for most optional features listed

### Fire Rating

3 hours- hollow metal doors  
90 minutes- hollow metal and composite  
20 minutes- wood doors



Classified in accordance with UL10C for positive pressure



Fire-rated label

### Windstorm

Products is constructed in accordance with Guidelines FEMA 320 & FEMA 361.

## Optional Features

### Finish

US32 Bright Stainless Steel (629)  
Scratch-Resistant Powder Coated Paint

### Fasteners

Adjust-A-Screw™ for correcting frame fit problems up to 3/8"

### Other Features

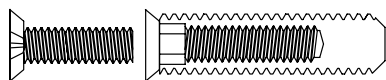
Custom lengths- specify in inches  
Custom hole pattern  
Dutch door hinges- suffix "DDP"  
Hospital tips – suffix "HT"  
Raised barrel – suffix "RB"  
Welded end pins  
Security studs

### Electrical Modifications

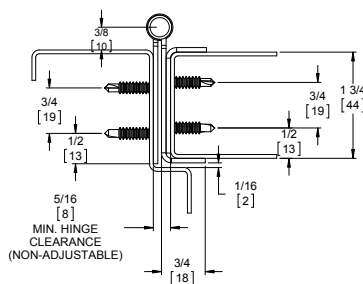
Adjustable Monitoring Switch - suffix "AMS"  
Current Transfer Prep - suffix "CTP"  
Electrical Transfer Access Prep - suffix "ETAP"

### ElectroLynx®

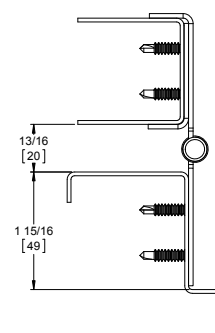
EL4 (4 wire), EL8 (8 wire), EL12 (12 wire)  
PoE (9 wire)



The integral hinge guard protects the door from dings and gouges from carts and gurneys while providing clean lines and aesthetic appearance. Our HG products also have fire ratings up to and including 3 hours. Not only that, but the wrap-around edge guard protects the door from unsightly dents and gouges and will deflect objects, preventing further damage.



Door Closed



Door Open 180°

800-824-3018 | [www.pemko.com](http://www.pemko.com)

Check the web site for the up-to-date catalog

Copyright © 2015-2023, ASSA ABLOY Accessories and Door Controls Group, Inc., an ASSA ABLOY Group company. All rights reserved. Reproduction in whole or in part without the express written permission of ASSA ABLOY Accessories and Door Controls Group, Inc. is prohibited.

**PEMKO**  
**ASSA ABLOY**

Experience a safer  
and more open world

# MARKAR HG306 HINGE GUARD

## Standard Features

### Barrel Type Hinge

.187" diameter Stainless Steel pin (rod)  
 Medical bearings  
 Stainless Steel end pins

### Material

Heavy-duty 14 gauge Stainless Steel  
 Cover - extruded aluminum

### Finishes

US32D Satin Stainless Steel (630)  
 Cover - brushed aluminum

### Standards

ANSI/BHMA Standard A156.26 Grade 1

### Mounting Hardware

Fasteners concealed when door is closed

Custom 12-24 x 1<sup>11</sup>/<sub>16</sub>" S.S Phillips Flat Head Undercut TEK Screws & 1/4"-14 x 3/4" Security TORX TEK Screws

### Capacity

Supports weights up to 600 lbs.  
 4'0" maximum door width

### Standard Sizes

6'8", 7'0", 7'2", 8'0", 10'0"

### Hole Pattern

Symmetrically templated

### Handing

Not required for standard 7'0", 8'0" or 10'0". Handing required for 6'8" and 7'2" and for most optional features listed

### Fire Rating

3 hours- hollow metal doors  
 90 minutes- hollow metal and composite  
 20 minutes- wood doors



Classified in accordance with UL10C for positive pressure



Fire-rated label

## Optional Features

### Finishes

US32 Bright Stainless Steel (629)  
 Scratch-Resistant Powder Coated Paint

### Fasteners

Tamper-proof security screws

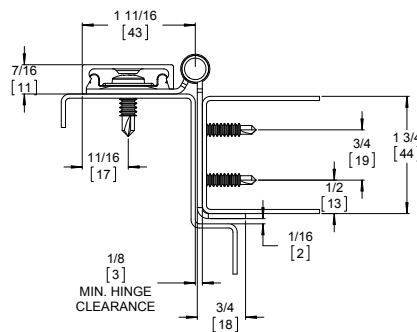
### Other Features

Custom lengths- specify in inches  
 Custom hole pattern  
 Dutch door hinges- suffix "DDP"  
 Hospital tips - suffix "HT"  
 Raised barrel - suffix "RB"  
 Welded End Pins

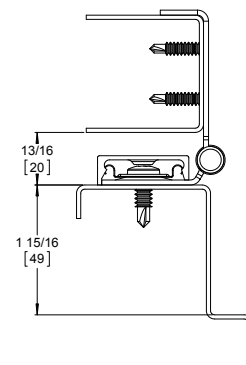
### Electrical Modifications

Current Transfer Prep (door leaf only)  
 - suffix "CTP"

This hinge is used with hollow metal frames and wood or hollow metal doors. The guard that wraps the door covers up dents, scratches, and splits in the door the door. This product covers the door's edge and wraps the door face to prevent further damage. This hinge can also be used to reverse the swing of a door.



Door Closed



Door Open 180°



Experience a safer and more open world

800-824-3018 | [www.pemko.com](http://www.pemko.com)  
 Check the web site for the up-to-date catalog

Copyright © 2015-2023, ASSA ABLOY Accessories and Door Controls Group, Inc., an ASSA ABLOY Group company. All rights reserved. Reproduction in whole or in part without the express written permission of ASSA ABLOY Accessories and Door Controls Group, Inc. is prohibited.

# MARKAR FS/SC309 FULL SURFACE SWING CLEAR HINGE

## Standard Features

### Barrel Type Hinge

.187" diameter Stainless Steel pin (rod)  
Medical bearings  
Stainless Steel end pins

### Material

Heavy-duty 14 gauge Stainless Steel  
Cover - extruded aluminum

### Finishes

US32D Satin Stainless Steel (630)  
Cover - brushed aluminum

### Standards

ANSI/BHMA Standard A156.26 Grade 1

### Mounting Hardware

Fasteners concealed when door is closed  
Custom 12-24 x 11/16" S.S Phillips Flat Head Undercut TEK Screws & 1/4-14 x 3/4" Security TORX TEK Screws

### Capacity

Supports weights up to 600 lbs.  
4'0" maximum door width

### Standard Sizes

6'8", 7'0", 7'2", 8'0", 10'0"

### Hole Pattern

Symmetrically templated

### Handing

Not required for standard 7'0", 8'0" or 10'0". Specify handing for 6'8" and 7'2" and for most optional features

### Fire Rating

3 hours- hollow metal doors  
90 minutes- hollow metal and composite  
20 minutes- wood doors



Classified in accordance with UL10C for positive pressure



Fire-rated label

## Optional Features

### Finish

US32 Bright Stainless Steel (629)  
Scratch-Resistant Powder Coated Paint

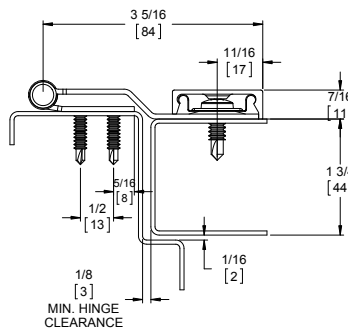
### Fasteners

Tamper-proof security screws

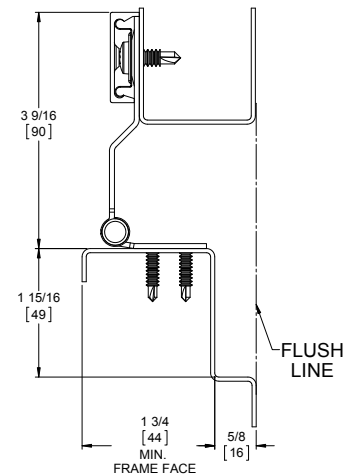
### Other Features

Custom lengths- specify in inches  
Custom hole pattern  
1 5/8" S.S. aluminum sleeve bolts  
Dutch door hinges - suffix "DDP"  
Hospital tips - suffix "HT"  
Lead lined cover with 4 lbs. lead lining - suffix "LL"  
Welded End Pins

This hinge is used to ensure that a door opened to a 90-degree angle is removed from the opening. This hinge will mount on a 1 3/4" face, and is especially useful for ADA upgrade work.



Door Closed



Door Open 90°

800-824-3018 | [www.pemko.com](http://www.pemko.com)

Check the web site for the up-to-date catalog

Copyright © 2015-2023, ASSA ABLOY Accessories and Door Controls Group, Inc., an ASSA ABLOY Group company. All rights reserved. Reproduction in whole or in part without the express written permission of ASSA ABLOY Accessories and Door Controls Group, Inc. is prohibited.

**PEMKO**  
**ASSA ABLOY**

Experience a safer  
and more open world

# MARKAR HG310 SWING CLEAR ADJUSTABLE HINGE GUARD

## Standard Features

### Barrel Type Hinge

.187" diameter Stainless Steel pin (rod)  
 Medical bearings  
 Stainless Steel end pins

### Material

Heavy-duty 14 gauge Stainless Steel  
 Finishes  
 US32D Satin Stainless Steel (630)

### Standards

ANSI/BHMA Standard A156.26 Grade 1

### Mounting Hardware

Fasteners concealed when door is closed  
 Custom 12-24 x 1<sup>1</sup>/<sub>16</sub>" S.S Phillips Flat Head Undercut TEK Screws

### Capacity

Supports weights up to 600 lbs.  
 4'0" maximum door width

### Standard Sizes

6'8", 7'0", 7'2", 8'0", 10'0"

### Hole Pattern

Symmetrically templated

### Handing

Not required for standard 7'0", 8'0" or 10'0". Specify handing for 6'8" and 7'2" and for most optional features

### Door Edge

Square hinge edge  
 Recommend Adjust-A-Screw for beveled hinge edge

### Fire Rating

3 hours- hollow metal doors  
 90 minutes- hollow metal and composite core wood fire doors  
 20 minutes- wood doors



Classified in accordance with UL10C for positive pressure



Fire-rated label

## Optional Features

### Finishes

US32 Bright Stainless Steel (629)  
 Scratch-Resistant Powder Coated Paint

### Fasteners

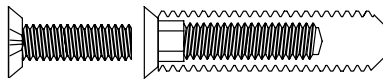
Tamper-proof security screws  
 Adjust-A-Screws™ for correcting frame fit problems up to 3/8"

### Other Features

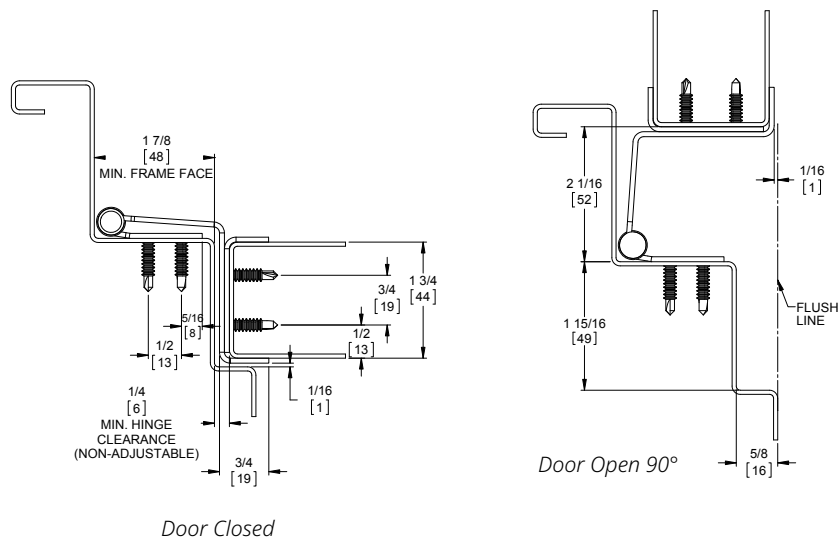
Custom lengths- specify in inches  
 Custom hole pattern  
 Dutch door hinges - suffix "DDP"  
 Hospital tips - suffix "HT"  
 Welded End Pins

### Electrical Modifications

Current Transfer Prep (door leaf only) - suffix "CTP"  
 (EL-EPT-SC Power Transfer Recommended)



The ADA-compliant hinge is used on operating room doors to swing the door out of the opening when moving equipment in and out. The hinge guard also protects the door in the open position.



Experience a safer and more open world

800-824-3018 | www.pemko.com  
 Check the web site for the up-to-date catalog

Copyright © 2015-2023, ASSA ABLOY Accessories and Door Controls Group, Inc., an ASSA ABLOY Group company. All rights reserved. Reproduction in whole or in part without the express written permission of ASSA ABLOY Accessories and Door Controls Group, Inc. is prohibited.



# MARKAR HG311 SWING CLEAR HINGE GUARD

## Standard Features

### Barrel Type Hinge

.187" diameter Stainless Steel pin (rod)  
 Medical bearings  
 Stainless Steel end pins

### Material

Heavy-duty 14 gauge Stainless Steel

### Finishes

US32D Satin Stainless Steel (630)

### Standards

ANSI/BHMA Standard A156.26 Grade 1

### Mounting Hardware

Fasteners concealed when door is closed  
 Custom 12-24 x 1<sup>1</sup>/<sub>16</sub>" S.S Phillips Flat Head Undercut TEK Screws

### Capacity

Supports weights up to 600 lbs.  
 4'0" maximum door width

### Standard Sizes

6'8", 7'0", 7'2", 8'0", 10'0"

### Hole Pattern

Symmetrically templated

### Handing

Not required for standard 7'0", 8'0" or 10'0". Specify handing for 6'8" and 7'2" and for most optional features

### Door Edge

Square hinge edge  
 For beveled hinge edge use HG310

### Fire Rating

3 hours- hollow metal doors  
 90 minutes- hollow metal and composite core wood fire doors  
 20 minutes- wood doors



Classified in accordance with UL10C for positive pressure



Fire-rated label

## Optional Features

### Finishes

US32 Bright Stainless Steel (629)  
 Scratch-Resistant Powder Coated Paint

### Fasteners

Tamper-proof security screws

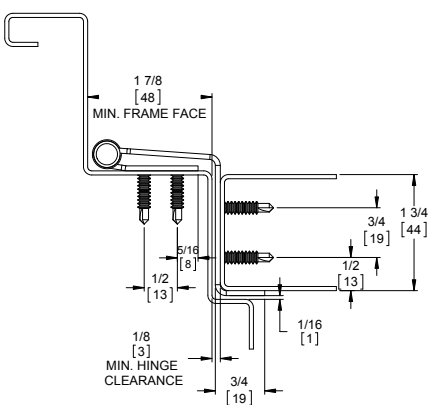
### Other Features

Custom lengths- specify in inches  
 Custom hole pattern  
 Dutch door hinges - suffix "DDP"  
 Hospital tips - suffix "HT"  
 Welded End Pins

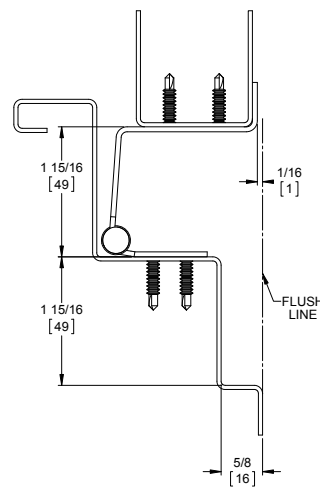
### Electrical Modifications

Current Transfer Prep (door leaf only) - suffix "CTP"  
 (EL-EPT-SC Power Transfer Recommended)

This surface applied swing clear version allows doors to meet ADA requirements. The single wrap protects door edges from cart damage.



Door Closed



Door Open 90°



800-824-3018 | [www.pemko.com](http://www.pemko.com)

Check the web site for the up-to-date catalog

Copyright © 2015-2023, ASSA ABLOY Accessories and Door Controls Group, Inc., an ASSA ABLOY Group company. All rights reserved. Reproduction in whole or in part without the express written permission of ASSA ABLOY Accessories and Door Controls Group, Inc. is prohibited.

Experience a safer and more open world

# MARKAR HG315 EDGE MOUNT HINGE GUARD

## Standard Features

### Barrel Type Hinge

.187" diameter Stainless Steel pin (rod)  
 Medical bearings  
 Stainless Steel end pins

### Material

Heavy-duty 14 gauge Stainless Steel

### Finishes

US32D Satin Stainless Steel (630)

### Standards

ANSI/BHMA Standard A156.26 Grade 1

### Mounting Hardware

Fasteners concealed when door is closed

Custom 12-24 x 1<sup>1</sup>/<sub>16</sub>" S.S Phillips Flat Head Undercut TEK Screws

### Capacity

Supports weights up to 600 lbs.  
 4'0" maximum door width

### Standard Sizes

6'8", 7'0", 7'2", 8'0", 10'0"

### Hole Pattern

Symmetrically templated

### Handing

Not required for standard 7'0", 8'0" or 10'0". Specify handing for 6'8" and 7'2" and for most optional features

### Fire Rating

3 hours- hollow metal doors  
 90 minutes- hollow metal and composite core wood fire doors  
 20 minutes- wood doors



Classified in accordance with UL10C for positive pressure

Fire-rated label

## Optional Features

### Finishes

US32 Bright Stainless Steel (629)  
 Scratch-Resistant Powder Coated Paint

### Fasteners

Tamper-proof security screws

### Other Features

Custom lengths- specify in inches  
 Custom hole pattern  
 Dutch door hinges- suffix "DDP"  
 Hospital tips - suffix "HT"  
 Raised barrel - suffix "RB"  
 Welded end pins  
 Security studs

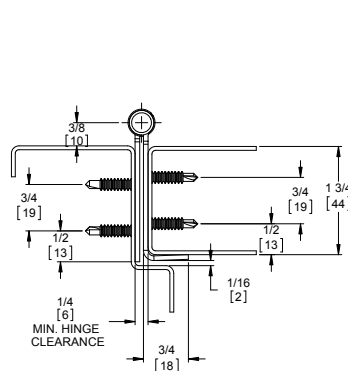
### Electrical Modifications

Adjustable Monitoring Switch - suffix "AMS"  
 Current Transfer Prep - suffix "CTP"  
 Electrical Transfer Access Prep - suffix "ETAP"

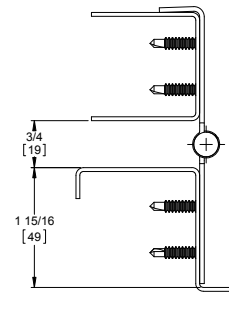
### ElectroLynx®

EL4 (4 wire), EL8 (8 wire), EL12 (12 wire)  
 PoE (9 wire)

Featuring our unique edge guard, this economical hinge prevents objects from being placed between the door and frame as well as protects the door's edge while supporting the door's weight along the entire length of the jamb.



Door Closed



Door Open 180°



Experience a safer and more open world

800-824-3018 | [www.pemko.com](http://www.pemko.com)  
 Check the web site for the up-to-date catalog

Copyright © 2015-2023, ASSA ABLOY Accessories and Door Controls Group, Inc., an ASSA ABLOY Group company. All rights reserved. Reproduction in whole or in part without the express written permission of ASSA ABLOY Accessories and Door Controls Group, Inc. is prohibited.

# MARKAR FS321 FULL SURFACE <sup>3</sup>/<sub>4</sub>" OFFSET HINGE

## Standard Features

### Barrel Type Hinge

.187" diameter Stainless Steel pin (rod)  
Medical bearings  
Stainless Steel end pins

### Material

Heavy-duty 14 gauge Stainless Steel  
Cover - extruded aluminum

### Finishes

US32D Satin Stainless Steel (630)

### Standards

ANSI/BHMA Standard A156.26 Grade 1

### Mounting Hardware

Fasteners concealed underneath  
aluminum cover

<sup>1</sup>/<sub>4</sub>-14 x <sup>3</sup>/<sub>4</sub>" Security TORX TEK Screws

### Capacity

Supports weights up to 600 lbs.  
4'0" maximum door width

### Standard Sizes

6'8", 7'0", 7'2", 8'0", 10'0"

brushed aluminum

### Handing

Not required for standard 7'0",  
8'0" or 10'0". Specify handing for  
6'8" and 7'2" and for most optional  
features

### Fire Rating

3 hours- hollow metal doors  
90 minutes- hollow metal and  
composite core wood fire doors  
20 minutes- wood doors



Classified in accordance  
with UL10C for positive  
pressure



Fire-rated label

## Optional Features

### Finishes

US32 Bright Stainless Steel (629)  
Scratch-Resistant Powder Coated  
Paint

### Fasteners

Tamper-proof security screws

### Other Features

Custom lengths- specify in inches

Custom hole pattern

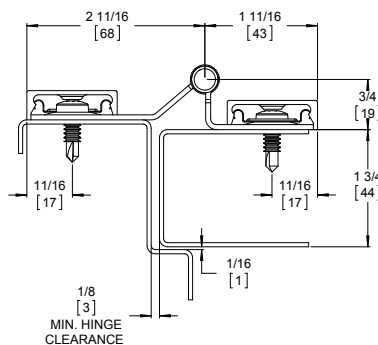
Dutch door hinges- suffix "DDP"

Hospital tips - suffix "HT"

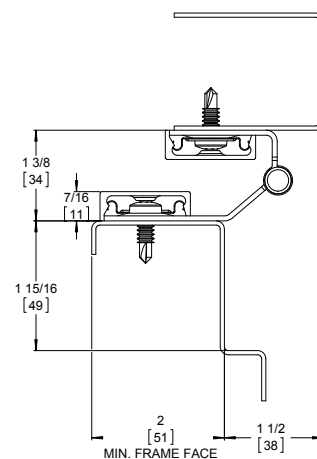
Lead lined covers with 4 lbs. lead  
lining - suffix "LL"

Welded end pins

This surface mount pin & barrel model was developed to work in conjunction with existing <sup>3</sup>/<sub>4</sub>" offset floor closers. Where top or intermediate pivots have worn and the floor closer will remain, the FS321 is the solution to extending the life of the opening.



Door Closed



Door Open 180°

800-824-3018 | [www.pemko.com](http://www.pemko.com)

Check the web site for the up-to-date catalog

Copyright © 2015-2023, ASSA ABLOY Accessories and Door Controls Group, Inc., an ASSA ABLOY Group company. All rights reserved.  
Reproduction in whole or in part without the express written permission of ASSA ABLOY Accessories and Door Controls Group, Inc. is prohibited.

**PEMKO**  
**ASSA ABLOY**

Experience a safer  
and more open world

# MARKAR HG322 ADJUSTABLE HINGE GUARD

## Standard Features

### Barrel Type Hinge

.187" diameter Stainless Steel pin (rod)

### Medical bearings

Stainless Steel end pins

### Material

Heavy-duty 14 gauge Stainless Steel

### Finishes

US32D Satin Stainless Steel (630)

### Standards

ANSI/BHMA Standard A156.26

Grade 1

### Mounting Hardware

Fasteners concealed when door is closed

Custom 12-24 x 11/16" S.S Phillips Flat Head Undercut TEK Screws

### Capacity

Supports weights up to 600 lbs.

4'0" maximum door width

### Standard Sizes

6'8", 7'0", 7'2", 8'0", 10'0"

### Hole Pattern

Symmetrically templated

### Handing

Not required for standard 7'0", 8'0" or 10'0". Specify handing for 6'8" and 7'2" and for most optional features

### Fire Rating

3 hours- hollow metal doors  
90 minutes- hollow metal and composite core wood fire doors  
20 minutes- wood doors



Classified in accordance with UL10C for positive pressure



Fire-rated label

## Optional Features

### Finishes

US32 Bright Stainless Steel (629)  
Scratch-Resistant Powder Coated Paint

### Fasteners

Tamper-proof security screws  
Adjust-A-Screw™ for correcting frame fit problems up to 3/8"

### Other Features

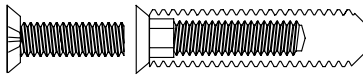
Custom lengths- specify in inches  
Custom hole pattern  
Dutch door hinges- suffix "DDP"  
Hospital tips - suffix "HT"  
Raised barrel - suffix "RB"  
Special sheared leaf  
Welded end pins  
Security studs

### Electrical Modifications

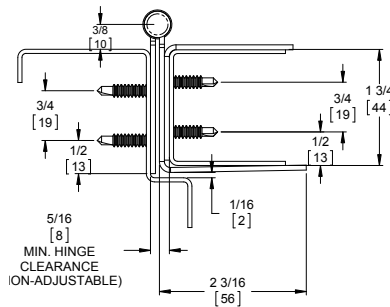
Adjustable Monitoring Switch - suffix "AMS"  
Current Transfer Prep - suffix "CTP"  
Electrical Transfer Access Prep - suffix "ETAP"

### ElectroLynx®

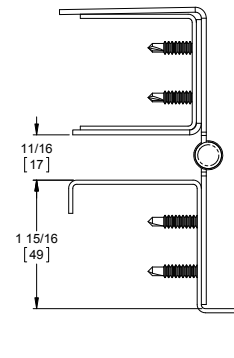
EL4 (4 wire), EL8 (8 wire), EL12 (12 wire)  
PoE (9 wire)



Occasionally the need arises for an extended door wrap, and this need is met with the Markar HG305. All the features of the HG305 Hinge/Guard plus 2" extensions.



Door Closed



Door Open 180°



Experience a safer and more open world

800-824-3018 | [www.pemko.com](http://www.pemko.com)  
Check the web site for the up-to-date catalog

Copyright © 2015-2023, ASSA ABLOY Accessories and Door Controls Group, Inc., an ASSA ABLOY Group company. All rights reserved. Reproduction in whole or in part without the express written permission of ASSA ABLOY Accessories and Door Controls Group, Inc. is prohibited.

# MARKAR HG323 EDGE MOUNT HINGE GUARD

## Standard Features

### Barrel Type Hinge

.187" diameter Stainless Steel pin (rod)  
Medical bearings  
Stainless Steel end pins

### Material

Heavy-duty 14 gauge Stainless Steel

### Finishes

US32D Satin Stainless Steel (630)

### Standards

ANSI/BHMA Standard A156.26  
Grade 1

### Mounting Hardware

Fasteners concealed when door is closed

Custom 12-24 x 11/16" S.S Phillips Flat Head Undercut TEK Screws & 1/4-20 x 1 5/8 Thru Bolt Stainless Steel

### Capacity

Supports weights up to 600 lbs.  
4'0" maximum door width

### Standard Sizes

6'8", 7'0", 7'2", 8'0", 10'0"

### Hole Pattern

Symmetrically templated

### Handing

Not required for standard 7'0", 8'0" or 10'0". Specify handing for 6'8" and 7'2" and for most optional features

### Fire Rating

3 hours- hollow metal doors  
90 minutes- hollow metal and composite core wood fire doors  
20 minutes- wood doors



Classified in accordance with UL10C for positive pressure



Fire-rated label

## Optional Features

### Finishes

US32 Bright Stainless Steel (629)  
Scratch-Resistant Powder Coated Paint

### Fasteners

Tamper-proof security screws

### Other Features

Custom lengths- specify in inches  
Custom hole pattern  
Dutch door hinges - suffix "DDP"  
Hospital tips - suffix "HT"  
Raised barrel - suffix "RB"  
Special sheared leaf

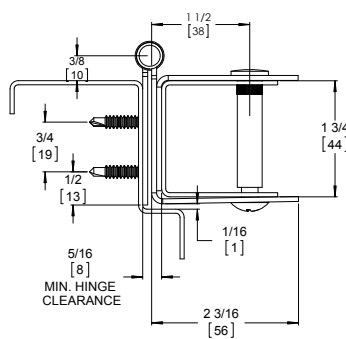
### Electrical Modifications

Adjustable Monitoring Switch - suffix "AMS"  
Current Transfer Prep - suffix "CTP"  
Electrical Transfer Access Prep - suffix "ETAP"

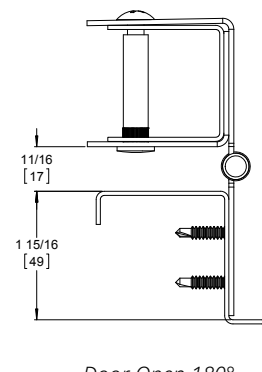
### ElectroLynx®

EL4 (4 wire), EL8 (8 wire), EL12 (12 wire)  
PoE (9 wire)

This extended wrap model allows you to sandwich the door between two leafs of Stainless Steel and through bolt them together. It is ideal where doors have split and you want to save them.



Door Closed



Door Open 180°

800-824-3018 | [www.pemko.com](http://www.pemko.com)

Check the web site for the up-to-date catalog

Copyright © 2015-2023, ASSA ABLOY Accessories and Door Controls Group, Inc., an ASSA ABLOY Group company. All rights reserved. Reproduction in whole or in part without the express written permission of ASSA ABLOY Accessories and Door Controls Group, Inc. is prohibited.

**PEMKO**  
**ASSA ABLOY**

Experience a safer  
and more open world

# MARKAR FM/SC325 EDGE MOUNT SWING CLEAR HINGE

## Standard Features

### Barrel Type Hinge

.187" diameter Stainless Steel pin (rod)

### Medical bearings

Stainless Steel end pins

### Material

Heavy-duty 14 gauge Stainless Steel

### Finishes

US32D Satin Stainless Steel (630)

### Standards

ANSI/BHMA Standard A156.26 Grade 1

### Mounting Hardware

Fasteners concealed when door is closed

Custom 12-24 x 1<sup>1</sup>/<sub>16</sub>" S.S Phillips

Flat Head Undercut TEK Screws

### Handing

Not required for standard 7'0", 8'0" or 10'0". Specify handing for 6'8" and 7'2" and for most optional features

### Capacity

Supports weights up to 600 lbs.

4'0" maximum door width

### Standard Sizes

6'8", 7'0", 7'2", 8'0", 10'0"

### Hole Pattern

Symmetrically templated

### Door Edge

Square hinge edge

### Fire Rating

3 hours- hollow metal doors

90 minutes- hollow metal and

composite core wood fire doors

20 minutes- wood doors



Classified in

accordance with

UL10C for positive

pressure



Fire-rated label

## Optional Features

### Finish

US32 Bright Stainless Steel (629)

Scratch-Resistant Powder

Coated Paint

### Other Features

Custom lengths- specify in inches

Custom hole pattern

Dutch door hinges - suffix "DDP"

Hospital tips - suffix "HT"

Welded end pins

### Electrical Modifications

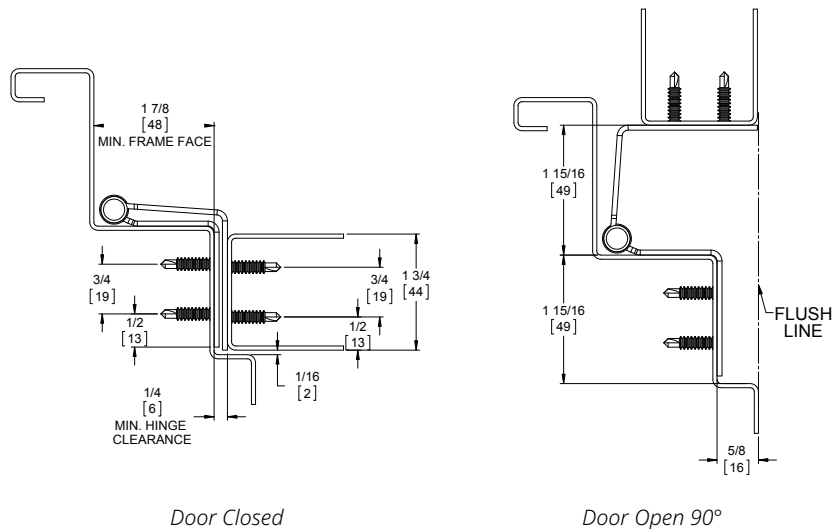
Adjustable Monitoring Switch -

suffix "AMS"

Current Transfer Prep - suffix "CTP"

(EL-EPT-SC Power Transfer Recommended)

This hinge is used to ensure that a door opened to a 90-degree angle is removed from the opening. This hinge will mount on a 1<sup>7</sup>/<sub>8</sub>" face, and is especially useful for ADA upgrade work.



Experience a safer and more open world

800-824-3018 | www.pemko.com  
 Check the web site for the up-to-date catalog

Copyright © 2015-2023, ASSA ABLOY Accessories and Door Controls Group, Inc., an ASSA ABLOY Group company. All rights reserved. Reproduction in whole or in part without the express written permission of ASSA ABLOY Accessories and Door Controls Group, Inc. is prohibited.

# MARKAR HG326 SWING CLEAR ADJUSTABLE HINGE GUARD

## Standard Features

### Barrel Type Hinge

.187" diameter Stainless Steel pin (rod)  
 Medical bearings  
 Stainless Steel end pins

### Material

Heavy-duty 14 gauge Stainless Steel

### Finishes

US32D Satin Stainless Steel (630)

### Standards

ANSI/BHMA Standard A156.26  
 Grade 1

### Mounting Hardware

Custom 12-24 x 1<sup>1</sup>/<sub>16</sub>" S.S Phillips Flat Head Undercut TEK Screws

### Capacity

Supports weights up to 600 lbs.  
 4'0" maximum door width

### Standard Sizes

6'8", 7'0", 7'2", 8'0", 10'0"

### Hole Pattern

Symmetrically templated

### Door Edge

Square hinge edge  
 Recommend Adjust-A-Screw for beveled hinge edge

### Handing

Not required for standard 7'0", 8'0" or 10'0". Specify handing for 6'8" and 7'2" and for most optional features

### Fire Rating

3 hours- hollow metal doors  
 90 minutes- hollow metal and composite core wood fire doors  
 20 minutes- wood doors



Classified in accordance with UL10C for positive pressure



Fire-rated label

## Optional Features

### Finishes

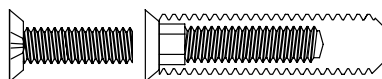
US32 Bright Stainless Steel (629)  
 Scratch-Resistant Powder Coated Paint

### Other Features

Custom lengths- specify in inches  
 Custom hole pattern  
 Dutch door hinges- suffix "DDP"  
 Hospital tips - suffix "HT"  
 Welded end pins

### Fasteners

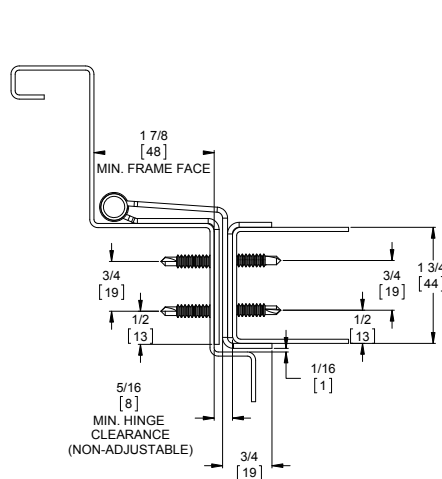
Tamper-proof security screws  
 Adjust-A-Screw™ for correcting frame fit problems up to 3/8"



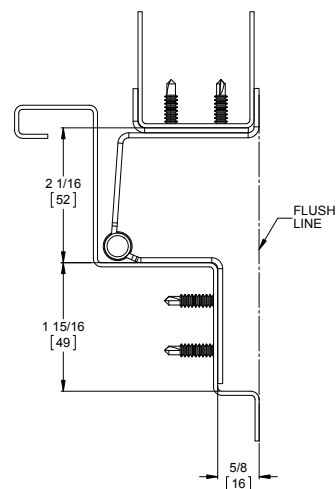
### Electrical Modifications

Current Transfer Prep - suffix "CTP"  
 (EL-EPT-SC Power Transfer Recommended)

The incorporated edge guard protects the door from unsightly dents and gouges while also protecting the hinge from vandalism.



Door Closed



Door Open 90°

800-824-3018 | [www.pemko.com](http://www.pemko.com)

Check the web site for the up-to-date catalog

Copyright © 2015-2023, ASSA ABLOY Accessories and Door Controls Group, Inc., an ASSA ABLOY Group company. All rights reserved. Reproduction in whole or in part without the express written permission of ASSA ABLOY Accessories and Door Controls Group, Inc. is prohibited.

**PEMKO**  
**ASSA ABLOY**

Experience a safer  
 and more open world

# MARKAR FM327 EDGE MOUNT SAFETY HINGE

## Standard Features

### Barrel Type Hinge

.187" diameter Stainless Steel pin (rod)  
 Medical bearings  
 Stainless Steel end pins

### Material

Heavy-duty 14 gauge Stainless Steel

### Finishes

US32D Satin Stainless Steel (630)

### Standards

ANSI/BHMA Standard A156.26 Grade 1

### Mounting Hardware

Custom 12-24 x 1<sup>1</sup>/<sub>16</sub>" S.S Phillips Flat  
 Head Undercut TEK Screws

### Capacity

Supports weights up to 600 lbs.  
 4'0" maximum door width

### Standard Sizes

6'8", 7'0", 7'2", 8'0", 10'0"

### Hole Pattern

Symmetrically templated

### Handing

Not required for standard 7'0",  
 8'0" or 10'0". Specify handing for  
 6'8" and 7'2" and for most optional  
 features

### Door Edge

Square hinge edge

### Fire Rating

This hinge is not fire rated

## Optional Features

### Finishes

US32 Bright Stainless Steel (629)

Scratch-Resistant Powder

Coated Paint

### Other Features

Custom lengths- specify in inches

Custom hole pattern

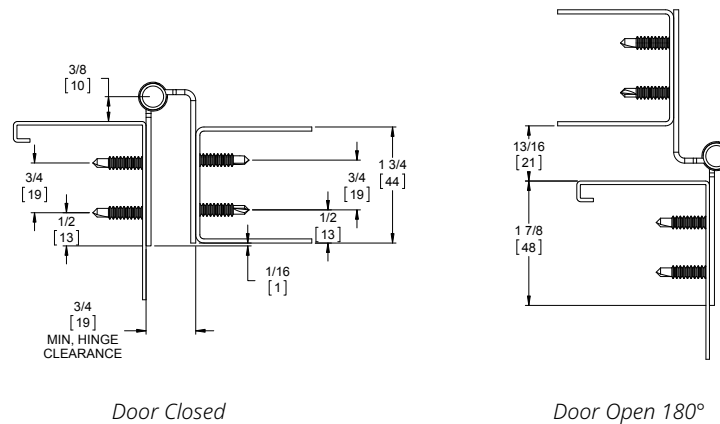
Dutch door hinges - suffix "DDP"

Welded end pins

### Fasteners

Tamper-proof security screws

This unique design prevents small fingers from getting pinched in the door. It is ideal for elementary schools, day care, childcare, and nursing home facilities. This full-length continuous pin & barrel hinge also provides privacy by blocking sight lines into rooms. The hinge must be used with a cased open type frame.



Experience a safer  
 and more open world

800-824-3018 | [www.pemko.com](http://www.pemko.com)  
 Check the web site for the up-to-date catalog

Copyright © 2015-2023, ASSA ABLOY Accessories and Door Controls Group, Inc., an ASSA ABLOY Group company. All rights reserved.  
 Reproduction in whole or in part without the express written permission of ASSA ABLOY Accessories and Door Controls Group, Inc. is prohibited.



# MARKAR HG329 SWING CLEAR HINGE GUARD FOR SQUARE EDGE DOOR

## Standard Features

### Barrel Type Hinge

.187" diameter Stainless Steel pin (rod)

### Medical bearings

Stainless Steel end pins

### Material

Heavy-duty 14 gauge Stainless Steel

### Finishes

US32D Satin Stainless Steel (630)

### Standards

ANSI/BHMA Standard A156.26 Grade 1

### Mounting Hardware

Fasteners concealed when door is closed

Custom 12-24 x 1<sup>1</sup>/<sub>16</sub>" S.S Phillips Flat

Head Undercut TEK Screws

### Capacity

Supports weights up to 600 lbs.

4'0" maximum door width

### Standard Sizes

6'8", 7'0", 7'2", 8'0", 10'0"

### Door Edge

Square hinge edge

For beveled hinge edge use HG326

### Hole Pattern

Symmetrically templated

Specify handing

### Fire Rating

3 hours- hollow metal doors

90 minutes- hollow metal and

composite core wood fire doors

20 minutes- wood doors



Classified in accordance with UL10C for positive pressure

Fire-rated label

## Optional Features

### Finishes

US32 Bright Stainless Steel (629)

Scratch-Resistant Powder

Coated Paint

### Other Features

Custom lengths- specify in inches

Custom hole pattern

Dutch door hinges- suffix "DDP"

Hospital tips - suffix "HT"

Welded end pins

### Fasteners

Tamper-proof security screws

### Electrical Modifications

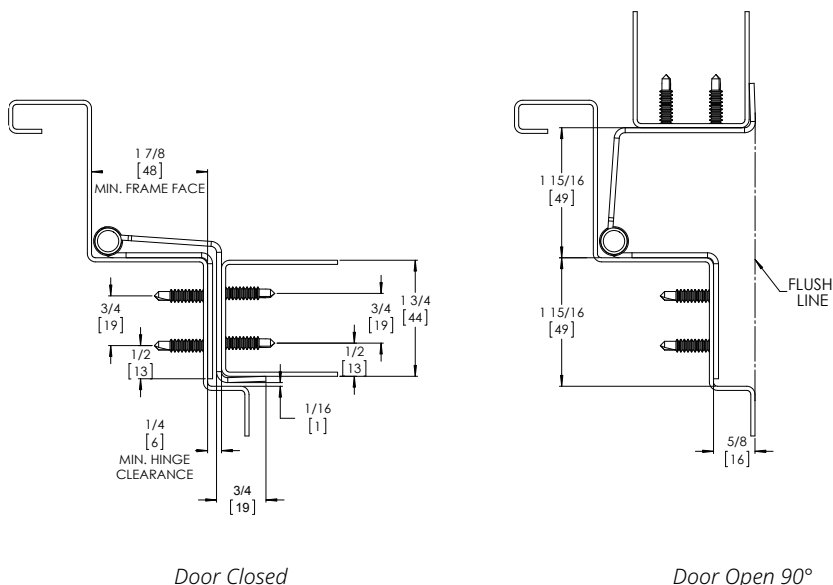
Adjustable Monitoring Switch - suffix

"AMS" Current Transfer Prep - suffix "CTP"

(EL-EPT-SC Power Transfer

Recommended)

The incorporated edge guard protects the door from unsightly dents and gouges while also protecting the hinge from vandalism.



# MARKAR FM338 EDGE MOUNT HINGE (1<sup>3</sup>/<sub>8</sub>" THICK DOOR)

## Standard Features

### Barrel Type Hinge

.187" diameter Stainless Steel pin (rod)  
 Medical bearings  
 Stainless Steel end pins

### Material

Heavy-duty 14 gauge Stainless Steel

### Finishes

US32D Satin Stainless Steel (630)

### Standards

ANSI/BHMA Standard A156.26 Grade 1

### Hole Pattern

Symmetrically templated

### Mounting Hardware

Fasteners concealed when door is closed  
 Custom 12-24 x 1<sup>1</sup>/<sub>16</sub>" S.S Phillips Flat Head Undercut TEK Screws

### Capacity

Supports weights up to 300 lbs.

4'0" maximum door width

### Standard Sizes

6'8", 7'0", 7'2", 8'0", 10'0"

### Handing

Handing not required on standard hinges. Specify handing when ordering a hinge with modification

### Fire Rating

3 hours- hollow metal doors  
 90 minutes- hollow metal and composite core wood fire doors  
 20 minutes- wood doors



Classified in accordance with UL10C for positive pressure

Fire-rated label

## Optional Features

### Finishes

Scratch-Resistant Powder Coated Paint

### Fasteners

Tamper-proof security screws

### Other Features

Custom lengths- specify in inches

Custom hole pattern

Dutch door hinges- suffix "DDP"

Hospital tips - suffix "HT"

Raised barrel - suffix "RB"

Welded end pins

Security studs

### Electrical Modifications

Adjustable Monitoring Switch - suffix "AMS"

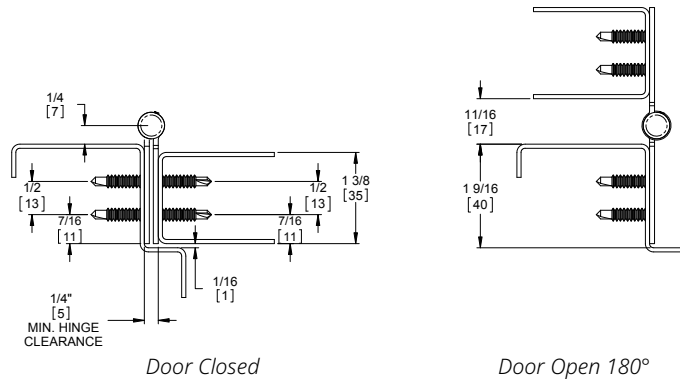
Electrical Transfer Access Prep - suffix "ETAP"

### ElectroLynx®

EL4 (4 wire), EL8 (8 wire), EL12 (12 wire)

PoE (9 wire)

This edge-mounted pin & barrel hinge is used on many of today's high traffic, high abuse doors. This hinge is designed to work with 1<sup>3</sup>/<sub>8</sub>" thick doors



Experience a safer and more open world

800-824-3018 | [www.pemko.com](http://www.pemko.com)  
 Check the web site for the up-to-date catalog

Copyright © 2015-2023, ASSA ABLOY Accessories and Door Controls Group, Inc., an ASSA ABLOY Group company. All rights reserved. Reproduction in whole or in part without the express written permission of ASSA ABLOY Accessories and Door Controls Group, Inc. is prohibited.

# MARKAR FM344 EDGE MOUNT HINGE

## Standard Features

### Barrel Type Hinge

.187" diameter Stainless Steel pin (rod)  
 Medical bearings  
 Stainless Steel end pins

### Material

Heavy-duty 14 gauge Stainless Steel

### Finishes

US32D Satin Stainless Steel (630)

### Standards

ANSI/BHMA Standard A156.26 Grade 1

### Hole Pattern

Symmetrically templated

### Mounting Hardware

Fasteners concealed when door is closed  
 Custom 12-24 x <sup>11</sup>/<sub>16</sub>" S.S Phillips Flat Head Undercut TEK Screws

### Capacity

Supports weights up to 300 lbs.  
 4'0" maximum door width

### Standard Sizes

6'8", 7'0", 7'2", 8'0", 10'0"

### Handing

Handing not required on standard hinges. Specify handing when ordering a hinge with modification

### Fire Rating

3 hours- hollow metal doors 90 minutes- hollow metal and composite core wood fire doors  
 20 minutes- wood doors



Classified in accordance with UL10C for positive pressure



Fire-rated label

### Windstorm

Evaluated in accordance with TAS 201-94, TAS 202-94, TAS 203-94, ASTM E330, ASTM E1886, ASTM E1996 and ANSI A250.13

## Optional Features

### Finishes

Scratch-Resistant Powder Coated Paint

### Fasteners

Tamper-proof security screws

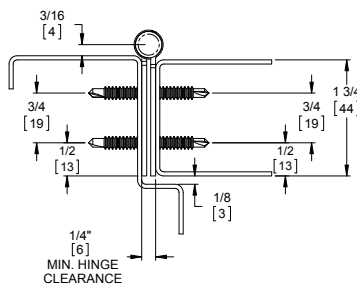
### Other Features

Custom lengths- specify in inches  
 Custom hole pattern  
 Dutch door hinges- suffix "DDP"  
 Hospital tips - suffix "HT"  
 Raised barrel - suffix "RB"  
 Welded end pins  
 Security studs

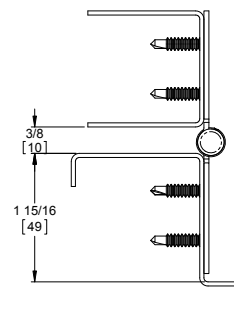
### Electrical Modifications

Adjustable Monitoring Switch - suffix "AMS"  
 Current Transfer Prep - suffix "CTP"  
 Electrical Transfer Access Prep - suffix "ETAP"  
**ElectroLynx®**  
 EL4 (4 wire), EL8 (8 wire), EL12 (12 wire)  
 PoE (9 wire)

This edge-mounted pin & barrel hinge is used on many of today's high traffic, high abuse doors. This hinge is great for 1 3/4" thick door where the hinge barrel is close to the frame and door face



Door Closed



Door Open 180°

# MARKAR EG308 ADJUSTABLE EDGE GUARD

## Standard Features

**Material**  
Heavy-duty 16 gauge stainless steel

**Finishes**  
US32D Satin Stainless Steel (630)

**Mounting Hardware**  
Fasteners concealed when door is closed

Included fasteners are:  
Custom 12-24 x 1<sup>1</sup>/<sub>16</sub>" S.S Phillips Flat Head Undercut TEK Screws  
Custom 12-24 x 1<sup>1</sup>/<sub>2</sub>" S.S. Phillips Flat Head Particle Board Screws  
Order form required, available

online.

**Standard Sizes**  
6'8", 7'0", 7'2", 8'0", 10'0"

**Door Edge**  
Specify square or beveled edge when ordering (beveled edge standard)

**Fire Rating**  
3 hours- hollow metal doors  
90 minutes- hollow metal and composite  
20 minutes- wood doors



**Fire-rated label**

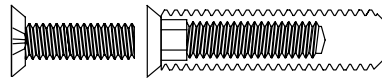
MAY NOT APPLY TO ALL WOOD DOORS. PLEASE CONSULT FACTORY FOR SPECIFIC WOOD DOOR APPLICATIONS.

## Optional Features

**Finish**  
US32 Bright Stainless Steel (629)  
Scratch-Resistant Powder Coated Paint

**Hardware Cutouts**  
(Edge Guard order form must be filled out)  
Flush bolts  
ASA strike  
Deadlock strike and latch  
86 edge  
Hospital latch  
161 cutout

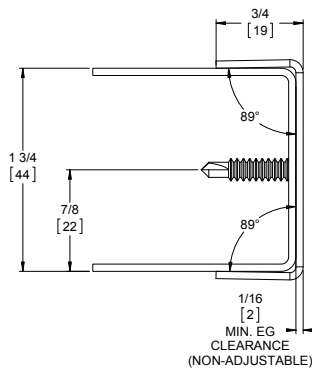
**Fasteners**  
Tamper-proof security screws  
Adjust-A-Screw™ for correcting frame fit problems up to 3/8"



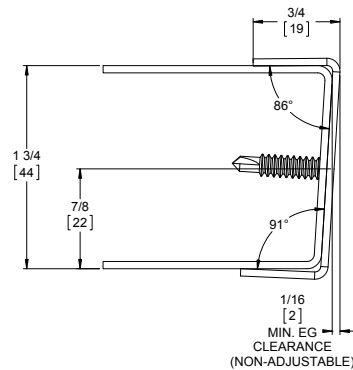
**Other Features**  
Custom lengths - specify in inches  
Staggered hole pattern for lead lined doors

**Custom cutouts**  
Dutch door application - suffix "DDP"

This fire-labeled edge guard is used in conjunction with the HG305 Hinge/Guard for a balanced aesthetic look. It also provides protection for the leading edge of the door.



Square edge door



Bevel edge door



Experience a safer and more open world

800-824-3018 | [www.pemko.com](http://www.pemko.com)  
Check the web site for the up-to-date catalog

Copyright © 2015-2023, ASSA ABLOY Accessories and Door Controls Group, Inc., an ASSA ABLOY Group company. All rights reserved. Reproduction in whole or in part without the express written permission of ASSA ABLOY Accessories and Door Controls Group, Inc. is prohibited.

# MARKAR EGC308 SINGLE RETURN EDGE GUARD

## Standard Features

### Material

Heavy-duty 16 gauge stainless steel

### Finishes

US32D Satin Stainless Steel (630)

### Mounting Hardware

Fasteners concealed when door is closed

Included fasteners are:

Custom 12-24 x 1<sup>1</sup>/<sub>16</sub>" S.S Phillips

Flat Head Undercut TEK Screws

Custom 12-24 x 1<sup>1</sup>/<sub>2</sub>" S.S. Phillips

Flat Head Particle Board Screws

Order form required, available online.

### Standard Sizes

6'8", 7'0", 7'2", 8'0", 10'0"

### Door Edge

Specify square or beveled edge when ordering

(beveled edge standard)

### Fire Rating

3 hours- hollow metal doors

90 minutes- hollow metal and composite

20 minutes- wood doors



Fire-rated label

MAY NOT APPLY TO ALL WOOD DOORS. PLEASE CONSULT FACTORY FOR SPECIFIC WOOD DOOR APPLICATIONS.

## Optional Features

### Finish

US32 Bright Stainless Steel (629)

Scratch-Resistant Powder Coated Paint

### Hardware Cutouts

(Edge Guard order form must be filled out)

Flush bolts

ASA strike

Deadlock strike and latch

86 edge

Hospital latch

161 cutout

### Fasteners

Tamper-proof security screws

### Other Features

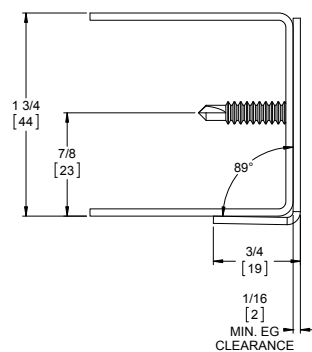
Custom lengths - specify in inches

Staggered hole pattern for lead lined doors

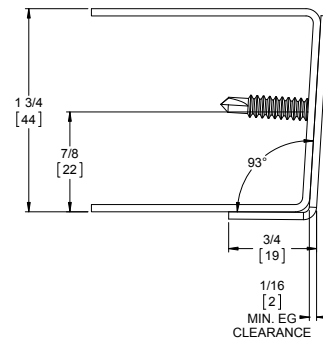
### Custom cutouts

Dutch door application - suffix "DDP"

This fire-labeled edge guard works with the HG315 Hinge/Guard. It provides protection to the leading edge of the door, while maintaining the door's aesthetic appearance in the closed position.



Square edge door



Bevel edge door

800-824-3018 | [www.pemko.com](http://www.pemko.com)

Check the web site for the up-to-date catalog

Copyright © 2015-2023, ASSA ABLOY Accessories and Door Controls Group, Inc., an ASSA ABLOY Group company. All rights reserved. Reproduction in whole or in part without the express written permission of ASSA ABLOY Accessories and Door Controls Group, Inc. is prohibited.

**PEMKO**  
**ASSA ABLOY**

Experience a safer  
and more open world

# MARKAR EGT308 ADJUSTABLE EDGE GUARD WITH ASTRAGAL

## Standard Features

### Material

Heavy-duty 16 gauge stainless steel

### Finishes

US32D Satin Stainless Steel (630)

### Mounting Hardware

Fasteners concealed when door is closed

Included fasteners are:

Custom 12-24 x 1<sup>1</sup>/<sub>16</sub>" S.S. Phillips Flat Head Undercut TEK Screws

Custom 12-24 x 1<sup>1</sup>/<sub>2</sub>" S.S. Phillips Flat Head Particle Board Screws

Order form required, available online.

### Standard Sizes

6'8", 7'0", 7'2", 8'0", 10'0"

### Door Edge

Specify square or beveled edge when ordering (beveled edge standard)

### Fire Rating

3 hours- hollow metal doors

90 minutes- hollow metal and composite

20 minutes- wood doors



Fire-rated label

MAY NOT APPLY TO ALL WOOD DOORS. PLEASE CONSULT FACTORY FOR SPECIFIC WOOD DOOR APPLICATIONS.

## Optional Features

### Finish

US32 Bright Stainless Steel (629)

Scratch-Resistant Powder Coated Paint

### Hardware Cutouts

(Edge Guard order form must be filled out)

Flush bolts

ASA strike

Deadlock strike and latch

86 edge

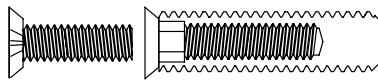
Hospital latch

161 cutout

### Fasteners

Tamper-proof security screws

Adjust-A-Screw™ for correcting frame fit problems up to 3/8"



### Other Features

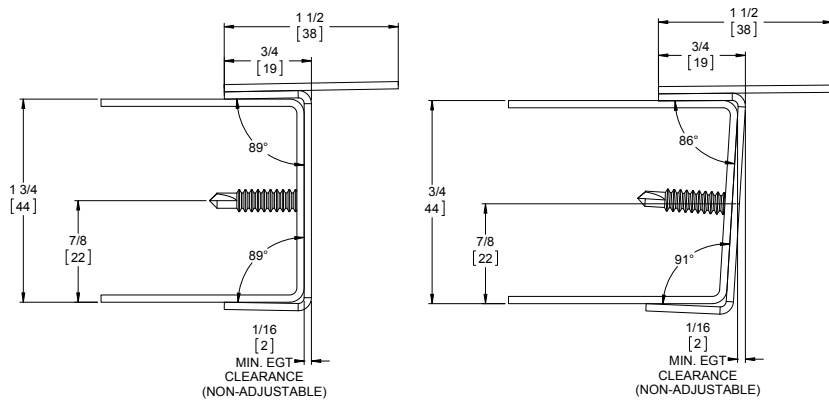
Custom lengths - specify in inches  
Staggered hole pattern for lead lined doors

Custom cutouts

Dutch door application - suffix "DDP"

Lead lined astragal with 4 lbs. lead lining - suffix "LL"

The integral overlapping astragal of the EGT308 provides additional security by protecting the latch protector. It is ideal for exterior pairs of doors or doors that require added protection from vandalism.



Square edge door

Bevel edge door



Experience a safer and more open world

800-824-3018 | www.pemko.com

Check the web site for the up-to-date catalog

Copyright © 2015-2023, ASSA ABLOY Accessories and Door Controls Group, Inc., an ASSA ABLOY Group company. All rights reserved. Reproduction in whole or in part without the express written permission of ASSA ABLOY Accessories and Door Controls Group, Inc. is prohibited.

# MARKAR 200 SERIES CARBON STEEL PIN & BARREL CONTINUOUS HINGES

## Short Form Architectural Specification:

Continuous hinges shall be full height piano-type hinge providing full height door support.

- Supports weights up to 600 lbs. 4'0" maximum door width
- Material to be 14 gauge 1012 carbon steel
- .187" diameter stainless steel pin (rod)
- Each knuckle 2", including nylon bearing at each separation for a quiet, smooth, self-lubricating operation
- Finish: Zinc Plated  
Optional Finish: Scratch-Resistant Powder Coated Paint
- All hinges shall be furnished with manufacturer's recommended hardware pack per specific model application
- Must use undercut head screws
- Must be able to carry Warnock Hersey Int. or UL fire rated doors and frames up to 3 hours
- Hinges shall meet ANSI/BHMA Standard A 156.26 Grade 1
- Symmetrically templated hole pattern

*Note: 25-Year Warranty on all Continuous Hinges*

*Note: Fire label for doors and frames should be placed on the header and top rail of fire rated doors and frames*

## MARKAR FM200 EDGE MOUNT HINGE

### Standard Features

#### Barrel Type Hinge

.187" diameter stainless steel pin (rod)  
Medical bearings  
Stainless steel end pins

#### Material

Heavy-duty 14 gauge 1012 carbon steel

#### Finishes

Zinc Plated

#### Standards

ANSI/BHMA Standard A156.26 Grade 1

#### Mounting Hardware

No exposed mounting fasteners  
Custom 12-24 x 1<sup>1</sup>/<sub>16</sub>" S.S Phillips  
Flat Head Undercut TEK Screws

#### Capacity

Supports weights up to 600lbs.  
4'0" maximum door width

#### Standard Sizes


6'8", 7'0", 7'2", 8'0", 10'0"

#### Handing

Handing not required on standard hinges. Specify handing when ordering a hinge with modification

#### Fire Rating

3 hours- hollow metal doors  
90 minutes- hollow metal and composite core wood fire doors  
20 minutes- wood doors

Classified in accordance with  
 UL10C for positive pressure  
Fire-rated label



#### Windstorm

Evaluated in accordance with TAS 201-14, TAS 202-14, TAS 203-14, ASTM E330, ASTM E1886, ASTM E1996 and ANSI A250.13

### Optional Features

#### Finish

Scratch-Resistant Powder Coated Paint

#### Fasteners

Tamper-proof security screws

#### Other Features

Custom lengths - specify in inches  
Custom hole pattern  
Dutch door hinges - suffix "DDP"  
Hospital tips - suffix "HT"  
Raised barrel - suffix "RB"

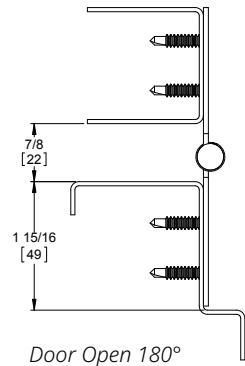
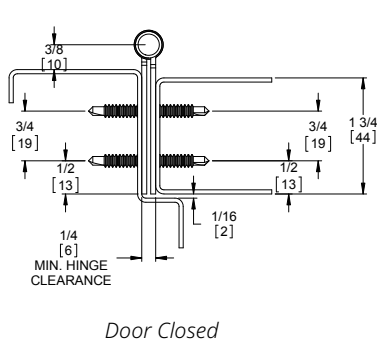
#### Electrical Modifications

Current Transfer Prep (frame leaf only) - suffix "CTP"

#### ElectroLynx®

EL4 (4 wire), EL8 (8 wire), EL12 (12 wire)  
PoE (9 wire)

This edge-mounted pin & barrel hinge is used on many traffic, high abuse interior doors. The hinge works well in locations that used anchor hinges, pivot reinforced hinges, or thrust pivot unit and hinge sets. This hinge saves on special door and frame preparation charges. It can be used on both fire labeled and non-labeled openings.



800-824-3018 | [www.pemko.com](http://www.pemko.com)

Check the web site for the up-to-date catalog

Copyright © 2015-2023, ASSA ABLOY Accessories and Door Controls Group, Inc., an ASSA ABLOY Group company. All rights reserved. Reproduction in whole or in part without the express written permission of ASSA ABLOY Accessories and Door Controls Group, Inc. is prohibited.



Experience a safer and more open world

# MARKAR FS201 1/8" INSET FULL SURFACE HINGE

## Standard Features

### Barrel Type Hinge

.187" diameter stainless steel pin (rod)  
 Medical bearing  
 Stainless steel end pins

### Material

Heavy-duty 14 gauge 1012 carbon steel

### Finishes

Zinc Plated

### Standards

ANSI/BHMA Standard A156.26 Grade 1

### Mounting Hardware

No exposed mounting fasteners  
 1/4"-14 x 3/4 Security TORX TEK Screws

### Capacity

Supports weights up to 600lbs.  
 4'0" maximum door width

### Standard Sizes

6'8", 7'0", 7'2", 8'0", 10'0"

### Handing

Not required for standard 7'0", 8'0" or 10'0". Specify handing for 6'8" and 7'2" and for most optional features

### Fire Rating

3 hours- hollow metal doors  
 90 minutes- hollow metal and composite core wood fire doors  
 20 minutes- wood doors



Classified in accordance with UL10C for positive pressure



Fire-rated label

## Optional Features

### Finish

Scratch-Resistant Powder Coated Paint

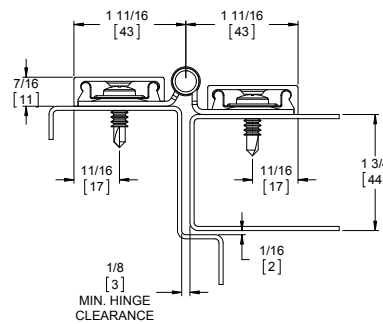
### Fasteners

1 5/8" S.S. sleeve bolts  
 Tamper-proof security screws

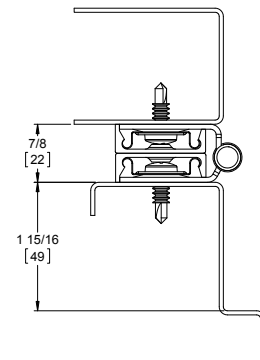
### Other Features

Custom lengths - specify in inches  
 Custom hole pattern  
 Dutch door hinges - suffix "DDP"  
 Hospital tips - suffix "HT"  
 Lead-lined cover with 4 lbs. lead lining - suffix "LL"

This surface-mounted pin & barrel continuous hinge can be used to repair and replace existing hinges on both fire-labeled and non-labeled doors that have very tight clearances. The hinge has a built-in 1/8" inset to assist in weather seal and sound barrier areas.



Door Closed



Door Open 180°



Experience a safer and more open world

800-824-3018 | [www.pemko.com](http://www.pemko.com)  
 Check the web site for the up-to-date catalog

Copyright © 2015-2023, ASSA ABLOY Accessories and Door Controls Group, Inc., an ASSA ABLOY Group company. All rights reserved. Reproduction in whole or in part without the express written permission of ASSA ABLOY Accessories and Door Controls Group, Inc. is prohibited.



# MARKAR FS202 FULL SURFACE FLUSH MOUNT HINGE

## Standard Features

### Barrel Type Hinge

.187" diameter stainless steel pin (rod)  
 Medical bearing  
 Stainless steel end pins

### Material

Heavy-duty 14 gauge 1012 carbon steel

### Finishes

Zinc Plated

### Standards

ANSI/BHMA Standard A156.26 Grade 1

### Mounting Hardware

No exposed mounting fasteners  
 1/4-14 x 3/4 Security TORX  
 TEK Screws

### Capacity

Supports weights up to 600lbs.  
 4'0" maximum door width

### Standard Sizes

6'8", 7'0", 7'2", 8'0", 10'0"

Decorative Fastener Covers  
 Aluminum

### Handing

Not required for standard 7'0", 8'0" or 10'0". Specify handing for 6'8" and 7'2" and for most optional features

### Fire Rating

3 hours- hollow metal doors  
 90 minutes- hollow metal and composite core wood fire doors  
 20 minutes- wood doors



Classified in accordance with UL10C for positive pressure



Fire-rated label

## Optional Features

### Finish

Scratch-Resistant Powder Coated Paint

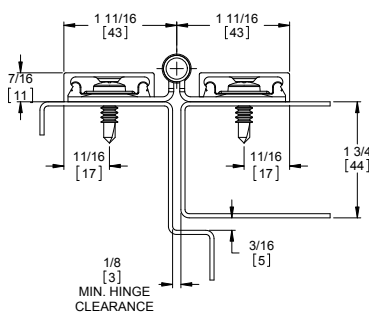
### Fasteners

1 5/8" S.S. sleeve bolts  
 Tamper-proof security screws

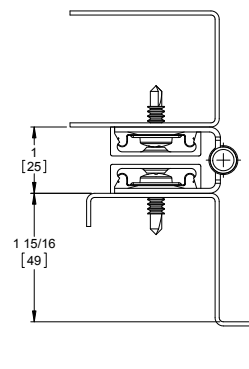
### Other Features

Custom lengths - specify in inches  
 Custom hole pattern  
 Dutch door hinges - suffix "DDP"  
 Hospital tips - suffix "HT"  
 Lead-lined cover with 4 lbs. lead lining - suffix "LL"

For flush doors. This surface-mounted pin & barrel continuous hinge can be used to repair and replace existing hinges on both fire-labeled and non-labeled doors that have very tight clearances.



Door Closed



Door Open 180°

# MARKAR HS203 HALF SURFACE

## Standard Features

### Barrel Type Hinge

.187" diameter stainless steel pin (rod)  
 Medical bearings  
 Stainless steel end pins

### Material

Heavy-duty 14 gauge 1012 carbon steel  
 Cover - extruded aluminum

### Finishes

Zinc Plated  
 Cover - Mill Finish

### Standards

ANSI/BHMA Standard A156.26 Grade 1

### Mounting Hardware

No exposed mounting fasteners  
 Custom 12-24 x 11/16" S.S Phillips Flat Head Undercut TEK Screws  
 1/4-14 x 3/4 Security TORX TEK Screws

### Capacity

Supports weights up to 600lbs.  
 4'0" maximum door width

### Standard Sizes

6'8", 7'0", 7'2", 8'0", 10'0"

### Hole Pattern

Symmetrically templated

### Handing

Not required for standard 7'0", 8'0" or 10'0". Specify handing for 6'8" and 7'2" and for most optional features

### Fire Rating

3 hours- hollow metal doors  
 90 minutes- hollow metal and composite  
 20 minutes- wood doors



Classified in accordance with UL10C for positive pressure



Fire-rated label

## Optional Features

### Finishes

Scratch-Resistant Powder Coated Paint

### Fasteners

1 5/8" steel sleeve bolts  
 Tamper-proof security screws

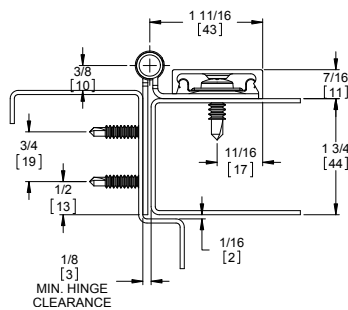
### Other Features

Custom lengths - specify in inches  
 Custom hole pattern  
 Dutch door hinges - suffix "DDP"  
 Hospital tips - suffix "HT"  
 Raised barrel - suffix "RB"  
 Lead-lined cover with 4 lbs. lead lining - suffix "LL"

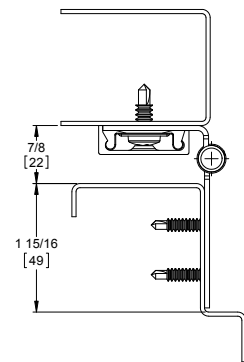
### Electrical Modifications

Current Transfer Prep (frame leaf only) - suffix "CTP"

This half-surface pin & barrel continuous hinge can be used to repair and replace existing hinges on both fire-labeled and non-labeled openings. The hinge fits into the gap left after standard butt hinges are removed. It can assist in reversing the handing of a door, or to reverse the swing of a door hung in an evenly-rabbetted frame. (Please contact the factory for instructions for unevenly-rabbetted frames.)



Door Closed



Door Open 180°



Experience a safer and more open world

800-824-3018 | www.pemko.com

Check the web site for the up-to-date catalog

Copyright © 2015-2023, ASSA ABLOY Accessories and Door Controls Group, Inc., an ASSA ABLOY Group company. All rights reserved. Reproduction in whole or in part without the express written permission of ASSA ABLOY Accessories and Door Controls Group, Inc. is prohibited.

# MARKAR HM204 HALF MORTISE HINGE

## Standard Features

### Barrel Type Hinge

.187" diameter stainless steel pin (rod)  
Medical bearings  
Stainless steel end pins

### Material

Heavy-duty 14 gauge 1012 carbon steel  
Cover - extruded aluminum

### Finishes

Zinc Plated  
Cover - Mill Finish

### Standards

ANSI/BHMA Standard A156.26  
Grade 1

### Mounting Hardware

Fasteners concealed when door is closed  
Custom 12-24 x 1<sup>1</sup>/<sub>16</sub>" S.S Phillips Flat Head Undercut TEK Screws  
1<sup>1</sup>/<sub>4</sub>-14 x 3<sup>3</sup>/<sub>4</sub> Security TORX TEK Screws

### Capacity

Supports weights up to 600lbs.  
4'0" maximum door width

### Standard Sizes

6'8", 7'0", 7'2", 8'0", 10'0"

### Hole Pattern

Symmetrically templated

### Handing

Not required for standard 7'0", 8'0" or 10'0". Handing required for 6'8" and 7'2" and for most optional features listed

### Fire Rating

3 hours- hollow metal doors  
90 minutes- hollow metal and composite  
20 minutes- wood doors



Classified in accordance with UL10C for positive pressure



Fire-rated label

## Optional Features

### Finishes

Scratch-Resistant Powder Coated Paint

### Fasteners

Tamper-proof security screws

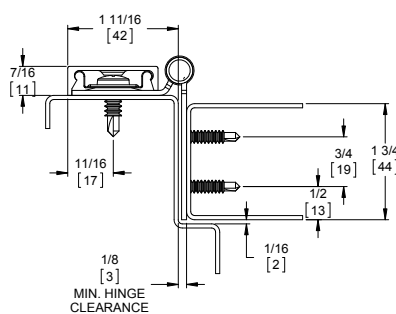
### Other Features

Custom lengths- specify in inches  
Custom hole pattern  
Dutch door hinges- suffix "DDP"  
Hospital tips - suffix "HT"  
Raised barrel - suffix "RB"  
Welded end pins

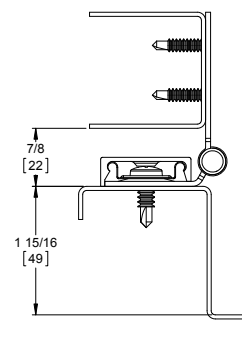
### Electrical Modifications

Current Transfer Prep (door leaf only) - suffix "CTP"

This pin & barrel type hinge is used on wooden doors to hide splits, chips and dents from traffic abuse. The surface mounted frame leaf allows for easy retrofit installation.



Door Closed



Door Open 180°

# MARKAR 100 SERIES ALUMINUM PIN & BARREL CONTINUOUS HINGES

## Short Form Architectural Specification:

Continuous hinges shall be full height piano-type hinge providing full height door support.

- Supports weights up to 600 lbs. 4'0" maximum door width
- Material to be extruded aluminum 6063-T6 alloy
- .187" diameter stainless pin (rod)
- Each knuckle 2", including nylon bearing at each separation for a quiet, smooth, self-lubricating operation
- Finish: Clear Anodized (628), Dark Bronze Anodized (313)  
Optional Finish: Light Bronze Anodized (311), Black Anodized (315), Scratch-Resistant Powder Coated Paint. Other finishes available upon request.
- All hinges shall be furnished with manufacturer's recommended hardware pack per specific model application
- Exterior barrel diameter .515" (1/2")
- Material thickness less than .125"
- Material weight will be no less than 1.5 lbs. per foot
- Hinges shall meet ANSI/BHMA Standard A 156.26 Grade 2
- Symmetrically templated hole pattern

*Note: 25-Year Warranty on all Continuous Pin & Barrel Hinges*

## MARKAR FM100 EDGE MOUNT HINGE

### Standard Features

#### Barrel Type Hinge

.187" diameter stainless steel pin (rod)  
Medical bearings  
Aluminum end pins

#### Material

6063-T6 aluminum alloy

#### Finishes

Clear Anodized (628)  
Dark Bronze Anodized (313)

#### Standards

ANSI/BHMA Standard A156.26  
Grade 2

#### Mounting Hardware

Fasteners concealed when door is closed

Custom 12-24 x 1<sup>1</sup>/<sub>16</sub>" S.S Phillips Flat

Head Undercut TEK Screws

#### Capacity

Supports weights up to 600lbs.  
4'0" maximum door width

#### Standard Sizes

6'8", 7'0", 7'2", 8'0"

#### Hole Pattern

Symmetrically templated

#### Handing

Handing not required on standard hinges. Specify handing when ordering a hinge with modification

#### Windstorm

Evaluated in accordance with TAS 201-14, TAS 202-14, TAS 203-14, ASTM E330, ASTM E1886, ASTM E1996 and ANSI A250.13.

### Optional Features

#### Finishes

Light Bronze Anodized (311)  
Black Anodized (315)  
Scratch-Resistant Powder Coated Paint

#### Other Features

Custom lengths - specify in inches  
Custom hole pattern  
Dutch door hinges - suffix "DDP"  
Hospital tips - suffix "HT"

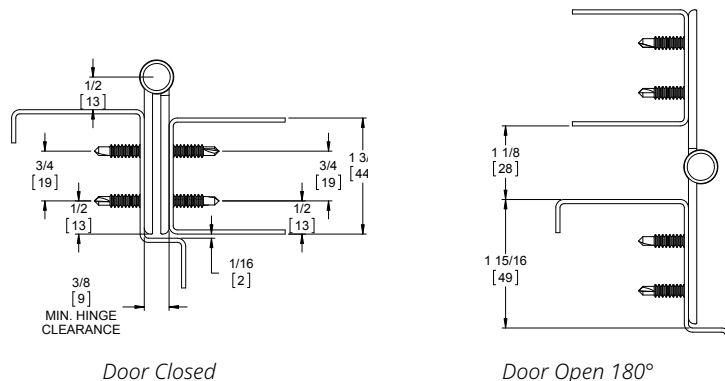
#### Electrical Modifications

Current Transfer Prep - suffix "CTP"  
Electrical Transfer Access Prep - suffix "ETAP"

#### ElectroLynx®

EL4 (4 wire), EL8 (8 wire), EL12 (12 wire)  
PoE (9 wire)

This door-edge mounted aluminum pin & barrel type hinge is extruded using 30% more aluminum than most geared hinges, giving it exceptional strength and durability. This product is specified in lieu of pivots or butt hinges due to its unique design which distributes the weight of the door down the entire length of the hinge.



Experience a safer  
and more open world

800-824-3018 | [www.pemko.com](http://www.pemko.com)  
Check the web site for the up-to-date catalog

Copyright © 2015-2023, ASSA ABLOY Accessories and Door Controls Group, Inc., an ASSA ABLOY Group company. All rights reserved. Reproduction in whole or in part without the express written permission of ASSA ABLOY Accessories and Door Controls Group, Inc. is prohibited.

# MARKAR FS101 1/8" INSET FULL SURFACE HINGE

## Standard Features

### Barrel Type Hinge

.187" diameter stainless steel pin (rod)  
Medical bearings  
Aluminum end pins

### Material

6063-T6 aluminum alloy

### Finishes

Clear Anodized (628)  
Dark Bronze Anodized (313)

### Standards

ANSI/BHMA Standard A156.26 Grade 2

### Mounting Hardware

No exposed mounting fasteners  
1/4-14 x 3/4" Security TORX TEK Screws

### Capacity

Supports weights up to 600lbs.  
4'0" maximum door width

### Standard Sizes

6'8", 7'0", 7'2", 8'0"

### Locking Security Covers

Brushed aluminum finish

### Handing

Not required for standard 7'0" and 8'0". Handing required for 6'8" and 7'2" and for most optional features listed

## Optional Features

### Finishes

Light Bronze Anodized (311)  
Black Anodized (315)  
Scratch-Resistant Powder Coated Paint

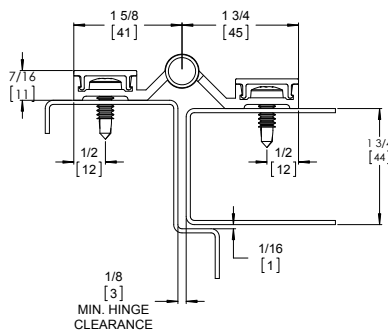
### Fasteners

1 5/8" aluminum sleeve bolts  
Tamper-proof security screws

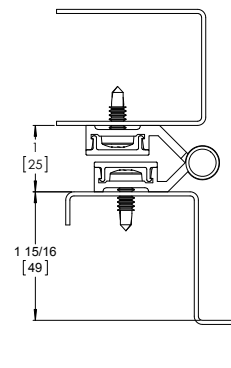
### Other Features

Custom lengths - specify in inches  
Custom hole pattern  
Dutch door hinges - suffix "DDP"  
Hospital tips - suffix "HT"  
Lead lined cover with 4 lbs. lead lining - suffix "LL"

This surface-mounted pin & barrel type continuous hinge is the correct hinge to solve door sag problems. The 1/8" inset allows perfect alignment for retrofitting hollow metal, wood or aluminum doors within the existing conditions - no need to readjust your weather-stripping!



Door Closed



Door Open 180°

# MARKAR FS102 FULL SURFACE FLUSH MOUNT HINGE

## Standard Features

### Barrel Type Hinge

.187" diameter stainless steel pin (rod)  
 Medical bearings  
 Aluminum end pins

### Material

6063-T6 aluminum alloy

### Finishes

Clear Anodized (628)  
 Dark Bronze Anodized (313)

### Standards

ANSI/BHMA Standard A156.26 Grade 2

### Mounting Hardware

Fasteners concealed when door is closed  
 1/4"-14 x 3/4" Security TORX TEK Screws

### Capacity

Supports weights up to 600lbs.  
 4'0" maximum door width

### Standard Sizes

6'8", 7'0", 7'2", 8'0"

### Locking Security Covers

Brushed aluminum finish

### Handing

Not required for standard 7'0" or 8'0".  
 Handing required for 6'8" and 7'0" and for most optional features listed

## Optional Features

### Finish

Light Bronze Anodized (311)  
 Black Anodized (315)  
 Scratch-Resistant Powder Coated Paint

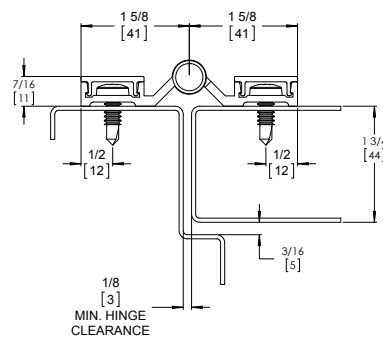
### Fasteners

1 5/8" aluminum sleeve bolts  
 Tamper-proof security screws

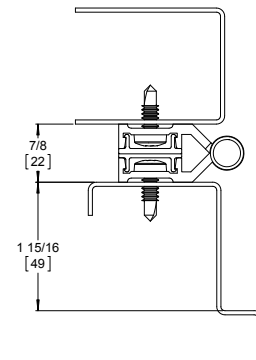
### Other Features

Custom lengths - specify in inches  
 Custom hole pattern  
 Dutch door hinges - suffix "DDP"  
 Hospital tips - suffix "HT"  
 Lead lined cover with 4 lbs. lead lining - suffix "LL"

For flush-mounted doors. This surface-mounted pin & barrel type continuous hinge is for flush-mounted doors for solving your door sag problems. This unit works well on all types of aluminum, wood and hollow metal door applications. The hinge also features tamper-resistant cover caps to prevent vandalism or break-ins.



Door Closed



Door Open 180°



Experience a safer  
 and more open world

800-824-3018 | [www.pemko.com](http://www.pemko.com)  
 Check the web site for the up-to-date catalog

Copyright © 2015-2023, ASSA ABLOY Accessories and Door Controls Group, Inc., an ASSA ABLOY Group company. All rights reserved. Reproduction in whole or in part without the express written permission of ASSA ABLOY Accessories and Door Controls Group, Inc. is prohibited.

# MARKAR HS103 HALF SURFACE HINGE

## Standard Features

### Barrel Type Hinge

.187" diameter stainless steel pin (rod)  
 Medical bearings  
 Aluminum end pins

### Material

6063-T6 aluminum alloy

### Finishes

Clear Anodized (628)  
 Dark Bronze Anodized (313)

### Standards

ANSI/BHMA Standard A156.26  
 Grade 2

### Mounting Hardware

Fasteners concealed when door is closed  
 Custom 12-24 x 1<sup>1</sup>/<sub>16</sub>" S.S Phillips Flat Head Undercut TEK Screws & 1<sup>1</sup>/<sub>4</sub>-14 x 3<sup>3</sup>/<sub>4</sub>" Security TORX TEK Screws

### Capacity

Supports weights up to 600lbs.  
 4'0" maximum door width

### Standard Sizes

6'8", 7'0", 7'2", 8'0"

### Locking Security Covers

Brushed aluminum finish

### Handing

Not required for standard 7'0" or 8'0".  
 Specify handing for 6'8" and 7'2" and for most optional features

## Optional Features

### Finish

Light Bronze Anodized (311)  
 Black Anodized (315)  
 Scratch-Resistant Powder Coated Paint

### Fasteners

1<sup>5</sup>/<sub>8</sub>" aluminum sleeve bolts  
 Tamper-proof security screws

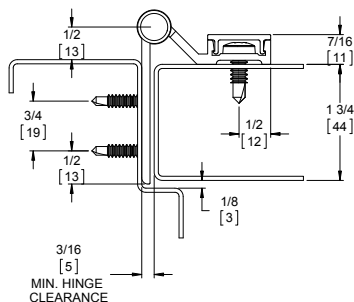
### Other Features

Custom lengths- specify in inches  
 Custom hole pattern  
 Dutch door hinges- suffix "DDP"  
 Hospital tips – suffix "HT"  
 Lead lined cover with 1<sup>1</sup>/<sub>16</sub>" lead lining - suffix "LL"

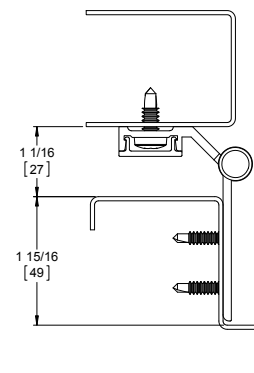
### Electrical Modifications

Current Transfer Prep (frame leaf only) - suffix "CTP"

This half-surface aluminum pin & barrel hinge can be used to repair doors that need the frame reinforced. This hinge can also be used on openings that have too large a gap between the door and frame. The hinge is edge mounted on the frame mounted on the frame and surface mounted on the door.



Door Closed



Door Open 180°

# MARKAR HM104 HALF MORTISE HINGE

## Standard Features

### Barrel Type Hinge

.187" diameter stainless steel pin (rod)  
 Medical bearings  
 Aluminum pins

### Material

6063-T6 aluminum alloy

### Finishes

Clear Anodized (628)  
 Dark Bronze Anodized (313)

### Standards

ANSI/BHMA Standard A156.26 Grade 2

### Mounting Hardware

Fasteners concealed when door is closed  
 Custom 12-24 x <sup>11</sup>/<sub>16</sub>" S.S Phillips Flat Head Undercut TEK Screws & <sup>1</sup>/<sub>4</sub>-14 x <sup>3</sup>/<sub>4</sub>" Security TORX TEK Screws

### Capacity

Supports weights up to 600lbs.  
 4'0" maximum door width

### Standard Sizes

6'8", 7'0", 7'2", 8'0"

### Locking Security Covers

Brushed aluminum finish

### Handing

Not required for standard 7'0" or 8'0".  
 Specify handing for 6'8" and 7'2" and for most optional features

## Optional Features

### Finish

Light Bronze Anodized (311)  
 Black Anodized (315)  
 Scratch-Resistant Powder Coated Paint

### Fasteners

<sup>1</sup>/<sub>2</sub>" aluminum sleeve bolts  
 Tamper-proof security screws

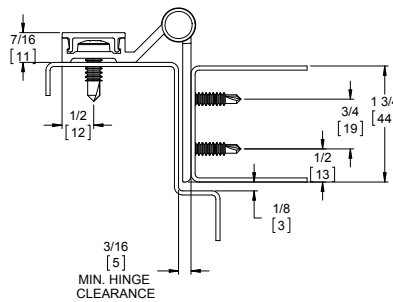
### Other Features

Custom lengths - specify in inches  
 Custom hole pattern  
 Dutch door hinges - suffix "DDP"  
 Hospital tips - suffix "HT"

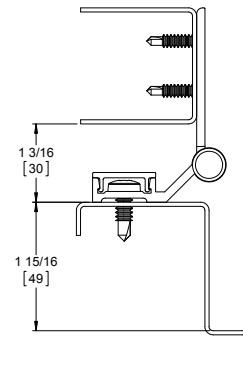
### Electrical Modifications

Current Transfer Prep (door leaf only) - suffix "CTP"

This pin & barrel type hinge is used on wooden doors to hid splits, chips and dents from traffic abuse. The surface mounted frame leaf allows for easy installation.



Door Closed



Door Open 180°



Experience a safer  
 and more open world

800-824-3018 | [www.pemko.com](http://www.pemko.com)  
 Check the web site for the up-to-date catalog

Copyright © 2015-2023, ASSA ABLOY Accessories and Door Controls Group, Inc., an ASSA ABLOY Group company. All rights reserved. Reproduction in whole or in part without the express written permission of ASSA ABLOY Accessories and Door Controls Group, Inc. is prohibited.



# MARKAR 900 SERIES SPRING LOADED PIN & BARREL TYPE CONTINUOUS STAINLESS STEEL HINGES

## Short Form Architectural Specification:

Continuous hinges shall be full height piano-type hinge providing full height door support.

- Supports weights up to 80 lbs. 3'0" maximum door width
- Material to be 14 gauge stainless steel
- Patented .25" diameter 303 stainless steel self closing pin assembly
- Exterior barrel diameter .438" (7/16")
- Adjustable, tamper resistant Torx Head end caps
- Each knuckle 2", including split nylon bearing at each separation for a quiet, smooth, self-lubricating operation
- Finish: US32D Satin Stainless Steel (630)  
Optional Finish: US32 Bright Stainless Steel (629)
- Non-Handed
- All hinges shall be furnished with manufacturer's recommended hardware pack per specific model application
- Removable roll pin for spring loaded adjustment
- Symmetrically templated hole pattern

Note: 10-Year Warranty

## MARKAR FM900 EDGE MOUNT

### Standard Features

**Spring-Loaded Barrel Type Hinge**  
.25" diameter stainless steel pin with stainless steel spring mechanism  
Torx tip cap to adjust spring tension  
Split nylon bearings

**Material**

Heavy-duty 14 gauge stainless steel  
Finishes  
US32D Satin Stainless Steel (630)

**Torx Adjusting Screw**  
Adjust tension on door to close tightly for out-swinging ADA compliance

**Mounting Hardware**

Custom 12-24 x 1 1/16" S.S Phillips Flat Head Undercut TEK Screws  
Capacity  
Close door weighing up to 80 lbs.

**Sizes**

54", 57"

**Non-Handed**

Use the same hinge for right- or left-handed doors

For Doors over 3'0" consult factory

USA patent no. 4823437  
Canadian patent no. 1303804

### Optional Features

**Finishes**

US32 Bright Stainless Steel (629)  
Scratch-Resistant Powder Coated Paint

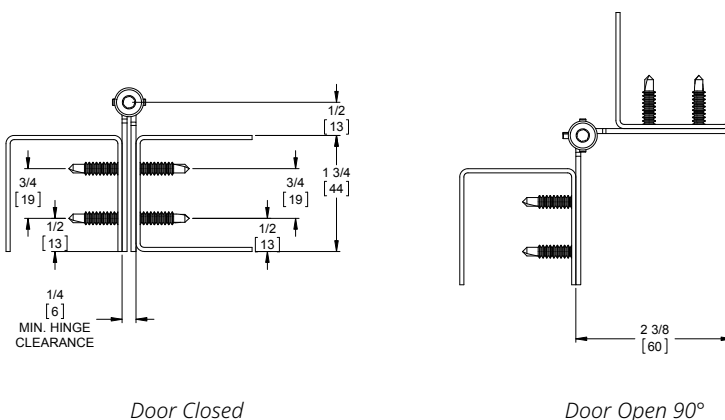
**Fasteners**

Tamper-proof security screws

**Other Features**

Custom lengths -Custom sizes 24" to 72" available  
Custom hole pattern

Ideal for damp or corrosive environments, Markar's stainless steel toilet partition hinge adds years of life to your high-quality partition.



800-824-3018 | www.pemko.com  
Check the web site for the up-to-date catalog

Copyright © 2015-2023, ASSA ABLOY Accessories and Door Controls Group, Inc., an ASSA ABLOY Group company. All rights reserved. Reproduction in whole or in part without the express written permission of ASSA ABLOY Accessories and Door Controls Group, Inc. is prohibited.



Experience a safer and more open world

## MARKAR FS902 FLUSH FULL SURFACE HINGE

### Standard Features

**Spring-Loaded Barrel Type Hinge**  
 .25" diameter stainless steel pin with stainless steel spring mechanism  
 Torx tip cap to adjust spring tension  
 Split nylon bearings

**Material**

Heavy-duty 14 gauge stainless steel  
 Covers - extruded aluminum

**Finishes**

US32D Satin Stainless Steel (630)  
 Covers - Brushed Aluminum  
 Torx Adjusting Screw  
 Adjust tension on door to close tightly for out-swinging ADA compliance

**Mounting Hardware**

1/4" x 20 pan head pan head machine screws  
 Concealed by cover caps

**Capacity**

Close door weighing up to 80 lbs.

**Sizes**

54", 57"

**Non-Handed**

Use the same hinge for right- or left-handed doors

For Doors over 3'0" consult factory

USA patent no. 4823437

Canadian patent no. 1303804

### Optional Features

**Finishes**

US32 Bright Stainless Steel (629)  
 Scratch-Resistant Powder Coated Paint

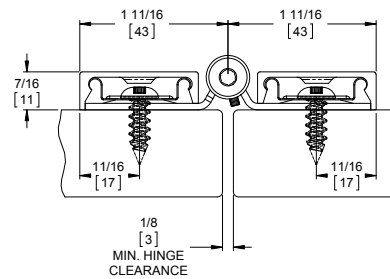
**Fasteners**

Tamper-proof security screws

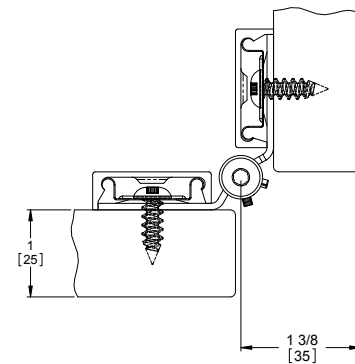
Ideal for damp or corrosive environments, Markar's stainless steel toilet partition hinge adds years of life to your high-quality partition.

**Other Features**

Custom lengths - Custom sizes  
 24" to 72" available  
 Custom hole pattern



Door Closed



Door Open 90°

## MARKAR FS910 FLUSH FULL SURFACE HINGE

### Standard Features

**Spring-Loaded Barrel Type Hinge**  
 .25" diameter stainless steel pin with stainless steel spring mechanism  
 Torx tip cap to adjust spring tension  
 Split nylon bearings

**Material**

Heavy-duty 14 gauge stainless steel

**Finishes**

US32D Satin Stainless Steel (630)  
 Torx Adjusting Screw  
 Adjust tension on door to close tightly for out-swinging ADA compliance

**Mounting Hardware**

Custom 12-24 x 11/16" S.S Phillips Flat Head Undercut TEK Screws

**Capacity**

Close door weighing up to 80 lbs.

**Sizes**

54", 57"

**Non-Handed**

Use the same hinge for right- or left-handed doors

For Doors over 3'0" consult factory

USA patent no. 4823437

Canadian patent no. 1303804

### Optional Features

**Finishes**

US32 Bright Stainless Steel (629)  
 Scratch-Resistant Powder Coated Paint

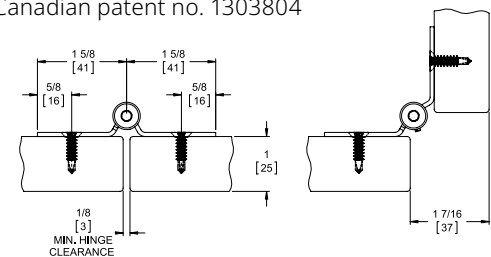
**Fasteners**

Tamper-proof security screws

**Other Features**

Custom lengths - Custom sizes  
 24" to 72" available Custom hole pattern

Ideal for damp or corrosive environments, Markar's stainless steel toilet partition hinge adds years of life to your high-quality partition.



Door Open

Door Open



Experience a safer and more open world

# MARKAR 400 SERIES SPRING LOADED PIN & BARREL TYPE CONTINUOUS ALUMINUM HINGES

## Short Form Architectural Specification:

Continuous hinges shall be full height piano-type hinge providing full height door support.

- Supports weights up to 80 lbs. 3'0" maximum width
- Material to be extruded aluminum 6063-T6 alloy
- Patented .25" diameter 303 stainless steel self closing pin assembly
- Each knuckle 2", including split nylon bearing at each separation for a quiet, smooth, self-lubricating operation
- Finish: Clear Anodized (628). Other finishes available upon request.
- Adjustable, tamper resistant Torx Head end caps
- Non-handed
- Exterior barrel diameter .515" (1/2")
- Material thickness less than .125"
- Removable roll pin for spring loaded adjustment
- Symmetrically templated hole pattern

Note: 10-Year Warranty

## MARKAR FM400 EDGE MOUNT HINGE

### Standard Features

#### Spring-Loaded Barrel Type Hinge

.25" diameter stainless steel pin with stainless steel spring mechanism  
Torx tip cap to adjust spring tension  
Split nylon bearings

#### Material

6063-T6 aluminum alloy

#### Finishes

Clear Anodized (628)  
Torx Adjusting Screw  
Adjust tension on door to close tightly for out-swinging ADA compliance

#### Mounting Hardware

Custom 12-24 x 11/16" S.S Phillips Flat Head Undercut TEK Screws

#### Capacity

Close door weighing up to 80 lbs.

#### Sizes

54", 57"

Non-Handed

Use the same hinge for right- or left-handed doors

For Doors over 3'0" consult factory

USA patent no. 4823437

Canadian patent no. 1303804

### Optional Features

#### Fasteners

Tamper-proof security screws

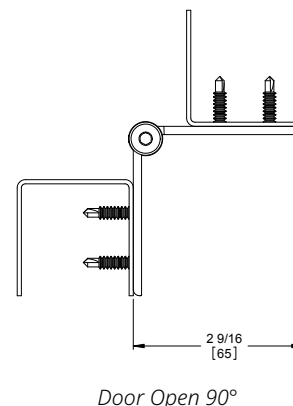
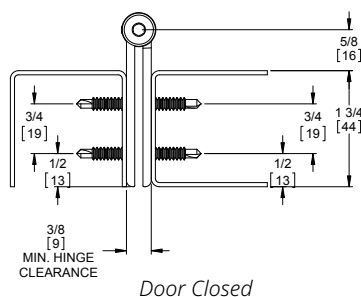
#### Finishes

Scratch-Resistant Powder Coated Paint  
Light Bronze Anodized (311)  
Black Anodized (315)

#### Other Features

Custom lengths - Custom sizes  
24" to 72" available  
Custom hole pattern  
Lift-up safety feature

Specify Markar to create the total finished look that your high-quality toilet partition deserves. The Markar continuous spring hinge gives a clean, finished look while virtually eliminating the "sight line" that multi-part systems cause. Continuous hinges also give complete support along the entire length of the partition door.



800-824-3018 | [www.pemko.com](http://www.pemko.com)

Check the web site for the up-to-date catalog

Copyright © 2015-2023, ASSA ABLOY Accessories and Door Controls Group, Inc., an ASSA ABLOY Group company. All rights reserved. Reproduction in whole or in part without the express written permission of ASSA ABLOY Accessories and Door Controls Group, Inc. is prohibited.

**PEMKO**  
**ASSA ABLOY**

Experience a safer  
and more open world

# MARKAR FS402 FLUSH FULL SURFACE HINGE

## Standard Features

### Spring-Loaded Barrel Type Hinge

.25" diameter stainless steel pin with stainless steel spring mechanism  
Torx tip cap to adjust spring tension  
Split nylon bearings

### Material

6063-T6 aluminum alloy  
Covers - extruded aluminum

### Finishes

Clear Anodized (628)  
Torx Adjusting Screw  
Adjust tension on door to close tightly for out-swinging ADA compliance

### Mounting Hardware

1/4" x 20 pan head pan head machine screws  
Concealed by cover caps

### Capacity

Close door weighing up to 80 lbs.

### Sizes

54", 57"

### Non-Handed

Use the same hinge for right- or left-handed doors

For Doors over 3'0" consult factory

USA patent no. 4823437

Canadian patent no. 1303804

## Optional Features

### Fasteners

Tamper-proof security screws

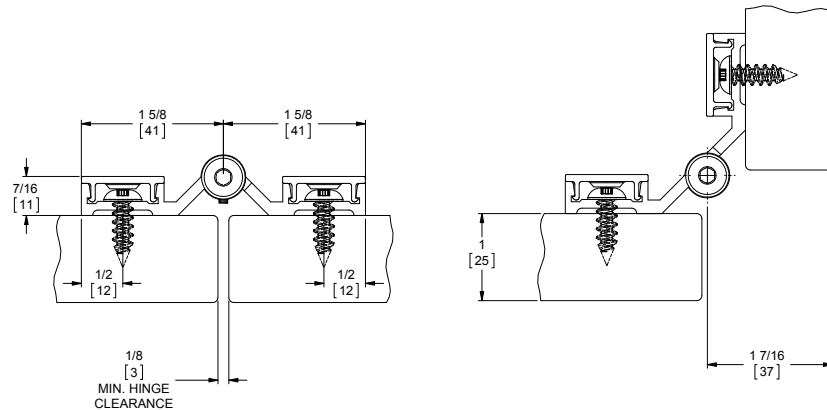
### Finishes

Scratch-Resistant Powder Coated Paint  
Light Bronze Anodized (311)  
Black Anodized (315)

### Other Features

Custom lengths - Custom sizes  
24" to 72" available  
Custom hole pattern  
Lift-up safety feature

Specify Markar to create the total finished look that your high-quality toilet partition deserves. The Markar continuous spring hinge gives a clean, finished look while virtually eliminating the "sight line" that multi-part systems cause. Continuous hinges also give complete support along the entire length of the partition door.



Door Closed

Door Open 90°



Experience a safer and more open world

## MARKAR B1921 & B1923 FULL SURFACE REINFORCING PIVOTS

This full-surface reinforcing pivot adds years of life to openings where the hinges or hinge reinforcements have failed. An economical way to solve door sag problems, reinforcing pivots take the load off the top hinge and transfer it to screws that will not pull out.

### Material:

Heavy Duty  $\frac{3}{16}$ " (.187) Cold-Rolled Steel

### Finish:

Zinc Plated (US2G)

### Mounting:

- 8 ea.  $\frac{1}{4}$ -20 x  $\frac{3}{4}$ " Phillips flat head machine screws
- 8 ea. #14 x  $1\frac{1}{4}$ " Phillips flat head sheet metal screws
- 2 ea.  $\frac{1}{4}$ -20 x  $1\frac{3}{4}$ " Sleeve bolts

### Capacity:

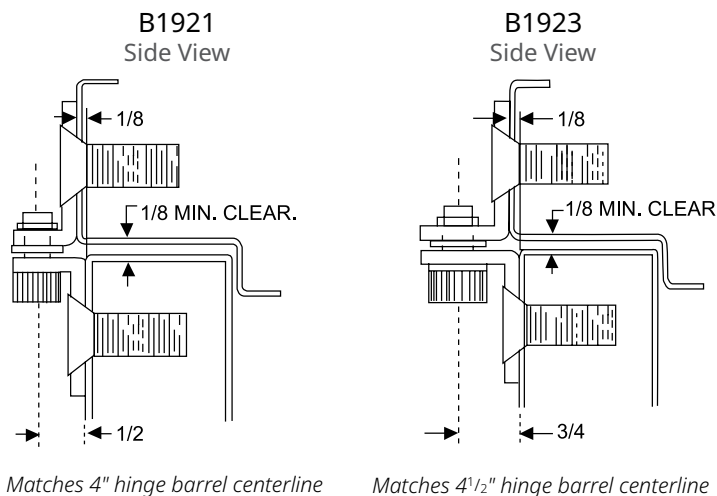
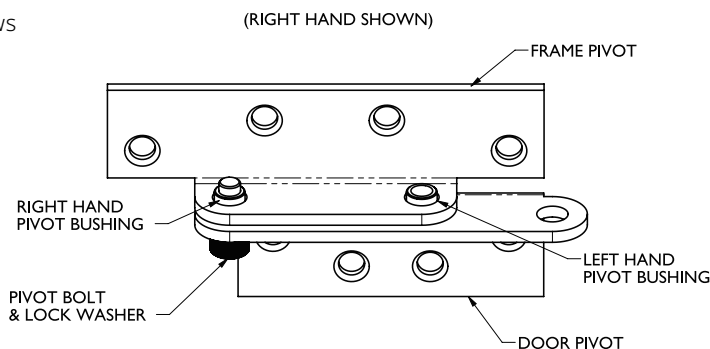
Supports Weights up to 300 lbs.

### Hole Pattern:

Symmetrically

### Handing:

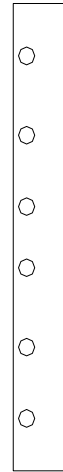
Non-handed



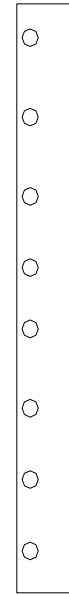
B1921	The B1921 pivot is designed with a $\frac{1}{2}$ " offset to match the pivot point of a 4" wide butt hinge.
B1923	The B1923 pivot is designed with a $\frac{3}{4}$ " offset to match the pivot point of a 4 1/2" wide butt hinge.

## MARKAR FLAT ASTRAGALS

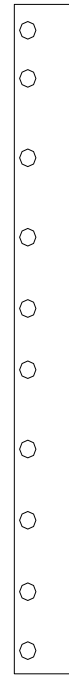
- For 6'8", 7'0", and 8'0" doors
- Holes are countersunk and equally spaced
- 1/8" x 2" galvanized steel
- 1-pkg. # 6 x 1" F.H.S.M. screws
- Finish – galvanized steel
- Available with thru-bolt option– nine-pack (ZTB-KIT9) or eleven-pack (ZTB-KIT11)



FA68



FA70



FA80

# MARKAR UNIVERSAL SCREW PACKS – EDGE MOUNT HINGES

## For hinge models FM100

Screw type	Aluminum	Bronze	6'8"-7'0"-7'2"	8'0"	10'0"
12-24 x 1 <sup>1</sup> / <sub>16</sub> " Phillips flat head undercut self-drilling Tek screw	TKS1267SP10SS	TKS1267SP10BLR	42	46	54

## For hinge models FM200, FM300, HG311, HG315, FM/SC325, FM327, HG329, FM338, FM344, FM600

Screw type	Stainless Steel	6'8"-7'0"-7'2"	8'0"	10'0"
12-24 x 1 <sup>1</sup> / <sub>16</sub> " Phillips flat head undercut self-drilling Tek screw	TKS1267SP10SS	42	46	54

## For hinge/guard models HG305, HG310, HG322, HG326,

Screw type	Stainless Steel	6'8"-7'0"-7'2"	8'0"	10'0"
12-24 x 1 <sup>1</sup> / <sub>16</sub> " Phillips flat head undercut self-drilling Tek screw	TKS1267SP10SS	42	46	54
<b>Adjust-A-Screw™ option</b>	<b>Stainless Steel</b>	<b>6'8"-7'0"-7'2"</b>	<b>8'0"</b>	<b>10'0"</b>
10-32 x 3/4" Phillips flat head undercut machine screw	MS10075SS	21	23	27
1 <sup>3</sup> / <sub>8</sub> " Adjust-A-Screw™ with 10-32 internal thread	M26-0031-01	21	23	27

## For hinge/guard model HG323

Screw type	Stainless Steel	6'8"-7'0"-7'2"	8'0"	10'0"
12-24 x 1 <sup>1</sup> / <sub>16</sub> " Phillips flat head undercut self-drilling Tek screw	TKS1267SP10SS	21	23	27
1/4-20 X 3/4" Truss Head Phillips machine screw	MS14075TSS	9	9	11
1/4-20 x 1 <sup>5</sup> / <sub>8</sub> " sleeve bolt	TB1420SS	9	9	11

## For edge/guard models EG308, EGC308, & EGT308

Screw type	Stainless Steel	6'8"-7'0"-7'2"	8'0"	10'0"
#12 x 1 1/2" Phillips flat head undercut sheet metal screw	PBS12150SP10SS	8	10	12
#12-24 x 1 <sup>1</sup> / <sub>16</sub> " Phillips flat head undercut self-drilling Tek Screw	TKS1267SP10SS	8	10	12

## For security hinge models FM3500, FS3501, & FS3502

Screw type	Stainless Steel	6'8"-7'0"-7'2"	8'0"	10'0"
12-24 x 7/16" flat head undercut machine screw	MS1244SP10SS	42	46	54

## MARKAR UNIVERSAL SCREW PACKS – FULL SURFACE HINGES

### For models FS101, FS102

Screw type	Aluminum	Bronze	6'8"-7'0"-7'2"	8'0"	10'0"
1/4-14 x 3/4 Torx pan head self-drilling Tek screw	TORX-TKS14075R	TORX-TKS14075R	32	36	40
#8 x 3/4" Phillips flat head Tek screw	TKS8075Z	S323-08R12-663	4	4	4

### For models FS201, FS202, FS301, FS302, FS321

Screw type	Stainless Steel	6'8"-7'0"-7'2"	8'0"	10'0"
1/4-14 x 3/4" Torx pan head self-drilling Tek screw	TORX-TKS14075R	32	36	40
606 Cover clips	M22-0130-01	10	12	16
#8 x 3/4" Phillips flat head Tek screw	TKS8075Z	4	4	4

### For swing clear model FS/SC309

Screw type	Stainless Steel	6'8"-7'0"-7'2"	8'0"	10'0"
12-24 x 11/16" Phillips flat head undercut self-drilling Tek screw	TKS1267SP10SS	22	24	28
1/4-14 x 3/4" Torx Phillips pan head self-drilling Tek screw	TORX-TKS14075R	16	18	20
606 Cover clips	M22-0130-01	5	6	8
#8 x 3/4" Phillips flat head Tek screw	TKS8075Z	2	2	2

## UNIVERSAL SCREW PACKS – HALF SURFACE & HALF MORTISE HINGES

### For hinge models HS103 & HM104

Screw type	Aluminum	Bronze	6'8"-7'0"-7'2"	8'0"	10'0"
1/4-14 x 3/4" Torx pan head self-drilling Tek screw	TORX-TKS14075R	TORX-TKS14075R	16	18	10
12-24 x 11/16" Phillips flat head undercut self-drilling Tek screw	TKS1267SP10SS	TKS1267SP10BLR	21	23	27
#8 x 3/4" Phillips flat head Tek screw	TKS8075Z	S323-08R12-663	2	2	2

### For hinge models HS203 & HM204

Screw type	Stainless Steel	6'8"-7'0"-7'2"	8'0"	10'0"
1/4-14 x 3/4" Torx pan head self-drilling Tek screw	TORX-TKS14075R	14	16	20
12-24 x 11/16" Phillips flat head undercut self-drilling Tek screw	TKS1267SP10SS	21	23	27
606 Cover clips	M22-0130-01	5	6	8
#8 x 3/4" Phillips flat head sheet metal screw	TKS8075Z	2	2	2

### For hinge models HS303, HM304, & HG306

Screw type	Stainless Steel	6'8"-7'0"-7'2"	8'0"	10'0"
1/4-14 x 3/4" Torx pan head self-drilling Tek screw	TORX-TKS14075R	14	16	20
12-24 x 3/16" Phillips flat head undercut self-drilling Tek screw	TKS1267SP10SS	21	23	27
606 Cover clips	M22-0130-01	5	6	8
#8 x 3/4" Phillips flat head sheet metal screw	TKS8075Z	2	2	2



Experience a safer and more open world

800-824-3018 | [www.pemko.com](http://www.pemko.com)  
Check the web site for the up-to-date catalog

Copyright © 2015-2023, ASSA ABLOY Accessories and Door Controls Group, Inc., an ASSA ABLOY Group company. All rights reserved. Reproduction in whole or in part without the express written permission of ASSA ABLOY Accessories and Door Controls Group, Inc. is prohibited.



# MARKAR UNIVERSAL SCREW PACKS – TOILET PARTITION HINGES

## For hinge models FM400

Screw type	Stainless Steel	54"	57"
12-24 x 1 <sup>1</sup> / <sub>16</sub> " Phillips flat head undercut zinc self-drilling Tek screw	TKS1267SP10SS	26	26
3 <sup>3</sup> / <sub>32</sub> " x 3 <sup>3</sup> / <sub>8</sub> " Stainless Steel roll pin	RLPN33238SS	1	1

## For hinge model FS402

Screw type	Stainless Steel	54"	57"
1 <sup>1</sup> / <sub>4</sub> -14 x 3 <sup>3</sup> / <sub>4</sub> " Torx button head sheet metal screw	TORX-TKS14075R	12	12
#8 x 3 <sup>3</sup> / <sub>4</sub> " TORX flat head self-drilling Tek screw	TORX-TKS8075Z	4	4
3 <sup>3</sup> / <sub>32</sub> " x 3 <sup>3</sup> / <sub>8</sub> " Stainless Steel roll pin	RLPN33238SS	1	1

## For hinge models FM900

Screw type	Stainless Steel	54"	57"
#12-24 x 1 <sup>1</sup> / <sub>16</sub> " Phillips flat head undercut self-drilling Tek screw	TKS1267SP10SS	26	26
3 <sup>3</sup> / <sub>32</sub> " x 3 <sup>3</sup> / <sub>8</sub> " Stainless Steel roll pin	RLPN33238SS	1	1



## For hinge model FS902

Screw type	Stainless Steel	54"	57"
1 <sup>1</sup> / <sub>4</sub> -14 x 3 <sup>3</sup> / <sub>4</sub> " Torx button head sheet metal screw	TORX-TKS14075R	12	12
606 Cover clips	M22-0130-01	6	6
#8 x 3 <sup>3</sup> / <sub>4</sub> " TORX flat head self-drilling Tek screw	TORX-TKS8075Z	4	4
3 <sup>3</sup> / <sub>32</sub> " x 3 <sup>3</sup> / <sub>8</sub> " Stainless Steel roll pin	RLPN33238SS	1	1

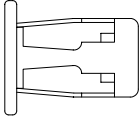
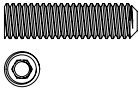
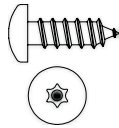
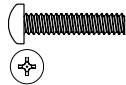
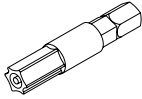
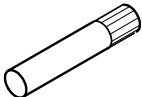
## For hinge models FS910

Screw type	Stainless Steel	54"	57"
#12-24 x 1 <sup>1</sup> / <sub>16</sub> " Phillips flat head undercut self-drilling Tek screw	TKS1267SP10SS	26	26
3 <sup>3</sup> / <sub>32</sub> " x 3 <sup>3</sup> / <sub>8</sub> " Stainless Steel roll pin	RLPN33238SS	1	1

## MARKAR FASTENERS

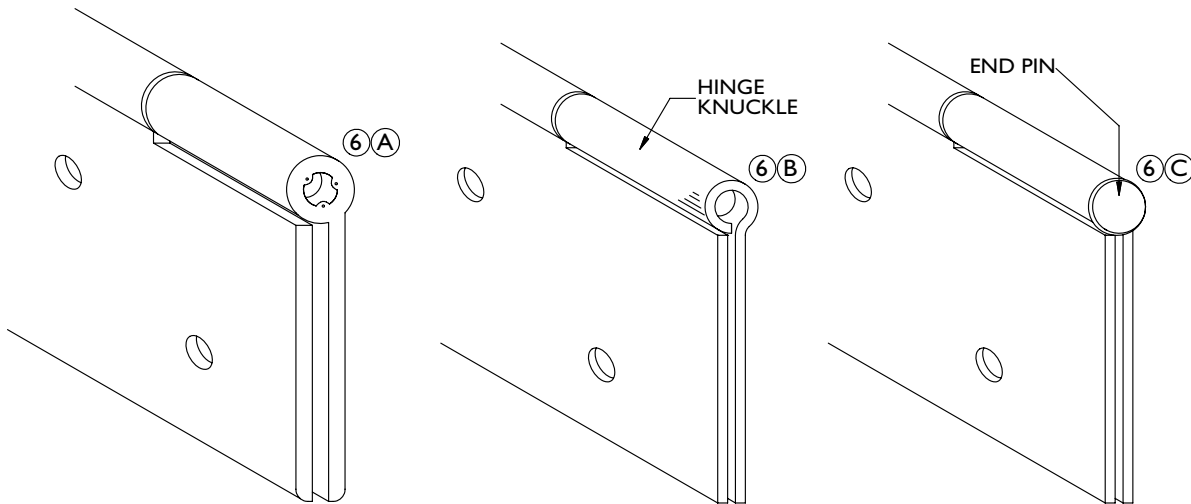
	Product Number	Description	Properties
 		Custom 12-24 x <sup>11</sup> / <sub>16</sub> " Phillips Flat Head Undercut Self-Drilling Screw	
	TKS1267SP10SS	For attaching Edge Mounted hinge leaves	Stainless Steel Phillips
	TORX-TKS1267SP10SS	For attaching Edge Mounted hinge leaves	Stainless Steel Torx
 		#8 x <sup>3</sup> / <sub>4</sub> " Flat Head Self Drilling Tek Screw	
	TKS8075Z	For attaching 100, 200, and 300 series covers	Zinc Phillips
	S323-08R12-663	For attaching 100, 200, and 300 series covers	Bronze Phillips
	TORX-TKS8075Z	For attaching 100, 200, and 300 series covers	Zinc Torx
 		Custom #12 x 1 <sup>1</sup> / <sub>2</sub> " Flat Head Undercut Particle Board Screw	
	PBS12150SP10BLR	For edge mounting to wood	Bronze Phillips
	PBS12150SP10SS	For edge mounting to wood	Stainless Steel Phillips
	TORX-PBS12150SP10SS	For edge mounting to wood	Stainless Steel Torx
 		Custom 12-24 x <sup>7</sup> / <sub>16</sub> " Flat Head Undercut Machine Screw	
	MS1244SP10SS	Used with 3500 series hinges for mounting to metal	Stainless Steel Phillips
	TORX-MS1244SP10SS	Used with 3500 series hinges for mounting to metal	Stainless Steel Torx
 		10-32 x <sup>3</sup> / <sub>4</sub> " Flat Head Machine Screw	
	MS10075SS	Used with Adjust-A-Screw	Stainless Steel Phillips
	TORX-MS10075SS	Used with Adjust-A-Screw	Stainless Steel Torx
	TB1420SS	<sup>1</sup> / <sub>4</sub> -20 x 1 <sup>5</sup> / <sub>8</sub> " Sleeve Bolt For surface mounting to wood	Stainless Steel
	M26-0030	10-24 Security Button Head Barrel Nut For surface mount toilet partition hinges Consult factory for pricing and availability	Stainless Steel
	TORX-BHMS1075SS	10-24 x <sup>3</sup> / <sub>4</sub> " Button Head Security Torx For surface mount toilet partition hinges Consult factory for pricing and availability	Stainless Steel

# MARKAR FASTENERS

	Product Number	Description	Properties
	M26-0015-02	18 SJN 1/4-20 Molly Jack Nut 7/16" hole	Zinc
	M26-0031-01	1 3/8" Adjust-A-Screw™ with 10-32 Internal Thread and Hex Head Adjustment Used with MS10075SS screw Note: 5/16" pilot hole required for 3/8" - 16 tap	
	TORX-TKS14075R	1/4-14 x 3/4" T-27 Torx Button Head Sheet Metal Screw	Ruspert Coat Torx
	S222-416R16-603	1/4-20 x 1" Pan Head Machine Screw For surface mounting to metal	Zinc Phillips
	TORXBIT20 TORXBIT27	MT-T20, 27, & 15 Torx Driver Bit Used on TORX-MS1244SP10SS, TORX-PBS12150SP10SS and TORX-MS10075SS Used on TORX-TKS14075R16 and to adjust 400 and 900 series spring-loaded hinges	
	RLPN33238SS	Knurl Pin Replacement pin for spring-loaded toilet partition hinges	

## CUTTING PIN & BARREL HINGES TO CUSTOM LENGTHS

- Step 1** The following instructions will apply to all Markar pin and barrel hinges except for toilet partition hinges. The general instructions apply for the 100, 200, 300 and 3500 series hinges. Follow option **A** for specific directions related to 100 series aluminum hinges and option **B** or **C** for specific directions related to 200, 300 & 3500 series steel and stainless steel hinges.
- Step 2** Determine the amount the hinge needs to be shortened. Note the hand of the hinge before beginning to lay our your cut. All cuts should be done at the bottom of your hinge assembly so that the gang hole pattern is at the top.
- Step 3** Measure from the top of the hinge down and mark a cut line at the desired length.  
For 200, 300 & 3500 series hinges, follow the instructions below
- If less than  $\frac{3}{4}$ " of knuckle is remaining follow option **B**
  - If  $\frac{3}{4}$ " or more of knuckle is remaining follow option **C**
- Step 4** Cut the hinge to length with a hacksaw or horizontal band saw, going through each hinge leaf, barrel and rod. If necessary, use a file to remove shart edges and deburr.
- Step 5** Slide the stainless steel rod out approximately 1" making sure the assembly stays together as one unit.
- **A B** Remove  $\frac{1}{4}$ " from the rod using hacksaw and then push back into it's original position.
  - **C** Remove  $\frac{3}{4}$ " from the rod using a hacksaw and then push back into it's original position.
- Step 6** Follow instructions below based on option used.
- **A** Using a hammer and a center-punch, swage the aluminum material towards the center of the hole locking the hinge pin into place making sure it will not slide out.
  - **B** Using a pair of vice-grips, crimp the end of the steel barrel making sure the hinge pin will not slide out.
  - **C** Remove the end of the pin from the scrap hinge and insert it into the bottom of hinge using hammer.



# PemkoHinge®

## Continuous Geared Aluminum Hinges

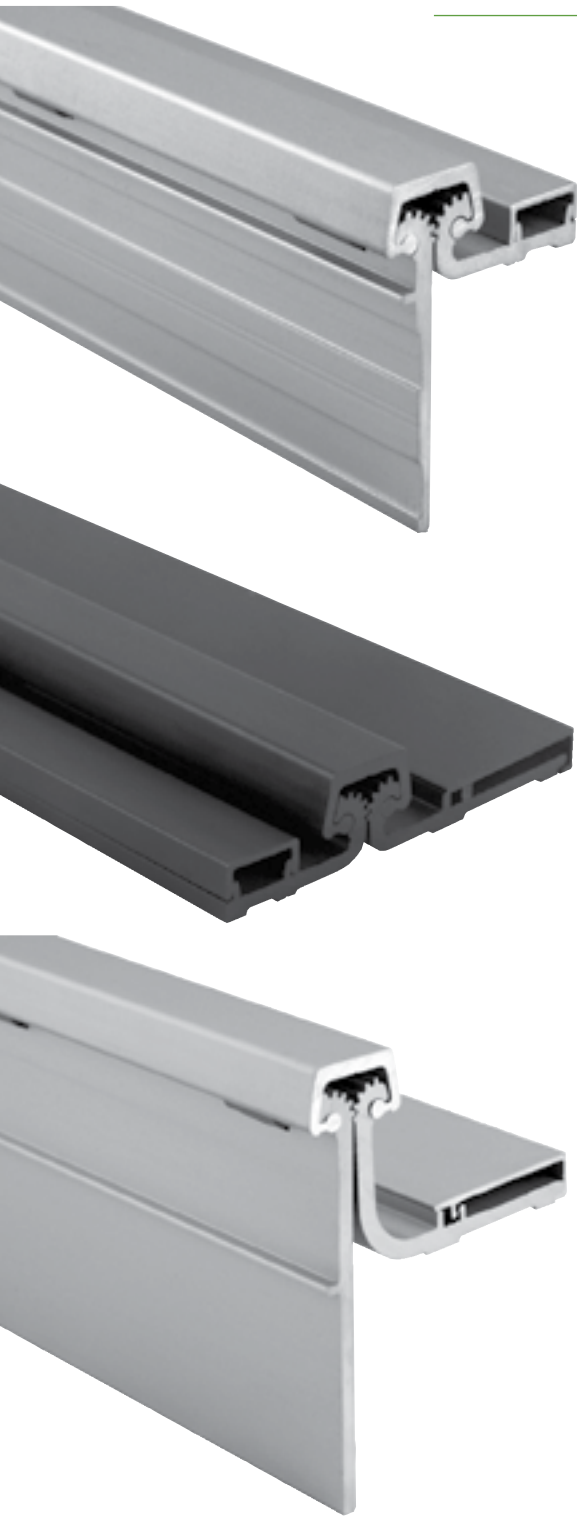
### CONTENTS:

What is PemkoHinge®? .....	78
Ordering Chart .....	78
BHMA Certification Program .....	79
Hospital Tip.....	79
Cycle Requirements and Weight Bearing.....	79
UL Fire Labeling.....	79
Options for Electrically Modified Continuous Geared Hinges .....	80
X-Series PemkoHinge® .....	81
Offset Hinges .....	82
Full Mortise Hinges.....	83
Special Full Mortise Hinges.....	84
Kawneer Full Mortise Hinges.....	85
Raised Gear Hinge .....	85
Full Mortise Safety Hinges.....	86
Wide Throw Full Mortise Hinges.....	87
Wide Throw Half Surface Hinges.....	87
Half Surface Hinges.....	88
Half Mortise Hinges.....	88
Full Surface Hinges.....	89
Full Surface Center Pivot Hinges.....	89
Full Surface Balanced Pivot Hinge.....	89
Full Mortise Residential Hinges.....	90
Firepins™.....	91
Double Swing Hinge.....	92
Emergency Release Stop.....	92
1000 Series Aluminum Double Swing Hinge.....	93
Power Transfer Units.....	94

### INDEX:

PRODUCT	PAGE	PRODUCT	PAGE	PRODUCT	PAGE
DSH .....	92	FM_SLI.....	83	RS175.....	90
DSH1000.....	93	FM_SLISF .....	86	SPFM.....	84
EL-CEPT .....	94	FS.....	89	SPFM_SLF .....	84
EL-EPT.....	94	FS_BP.....	89	SPFM_SLI.....	84
EL-EPTL.....	94	FS_CP.....	89	WT_FM.....	87
EL-EPT-SC.....	94	HM.....	88	WT_HS .....	87
ERS .....	92	HS.....	88	X25M.....	81
FM.....	83	HS_SF.....	88	XF.....	81
FM_RG .....	85	K_FM .....	85	XI.....	81
FM_SF .....	86	OS_FM .....	82	XK.....	81
FM_SLF.....	83	OS_HS.....	82	XM.....	81
FM_SLF138.....	86	RS138.....	90		

NOTE: Products shown in this section may not be drawn to scale



800-824-3018 | [www.pemko.com](http://www.pemko.com)

Check the web site for the up-to-date catalog

Copyright © 2015-2023, ASSA ABLOY Accessories and Door Controls Group, Inc., an ASSA ABLOY Group company. All rights reserved. Reproduction in whole or in part without the express written permission of ASSA ABLOY Accessories and Door Controls Group, Inc. is prohibited.

**PEMKO**  
**ASSA ABLOY**

Experience a safer  
and more open world

## What is PemkoHinge®?

PemkoHinge® consists of two full-height, paired and geared leaves. Each geared leaf rotates evenly from top to bottom riding on proprietary polymer blended bearings. The geared leaves and bearings are held together by a full-length channel cap. This assembly retains the smooth, clean lines of the door and frame, while easily supporting heavy vertical loads.

## PemkoHinge®

### SECURITY, SAFETY, PRIVACY, LOW WEAR AND TEAR

#### PemkoHinge® Attributes:

- With a continuous hinge, typical alignment problems (such as door sag and binding) are eliminated
- The continuous hinge distributes load stress uniformly along the full length of the door and frame
- The gear design of the continuous hinge ensures symmetrical operation of each leaf
- ½ lb. or less operating force required to operate most doors, regardless of size
- Low operating force feature makes continuous hinges ideal for doors used by the physically challenged
- The continuous hinge, when installed on standard steel doors and frames, requires no additional reinforcement. However, hinge preps must have fillers installed for proper operation
- A high degree of security can be achieved for exterior openings or restricted spaces by using a continuous hinge. With the geared construction and the full-length channel cap, the common gap between the door and frame is sealed, which provides security against prying
- In addition, the continuous full-height hinge cap protects against pinching fingers in doors in public areas, particularly those where children are present
- Sight proof design of the continuous hinge provides privacy for lavatories, executive offices, or file rooms

#### PemkoHinge® Superior Design:

- PemkoHinge® has increased critical stress points of the hinge leaf extrusions providing additional strengths and rigidity to the completed product
- PemkoHinge® bearing design eliminates premature wear, guarantees proper alignment, and requires fewer bearings to carry more weight. The bearing is produced for Pemko using a chemical composition and injection process that provides a stronger, more accurately formed bearing
- PemkoHinge® is designed with inter-meshing gear segments in the hinge which provide 50% more bearing surface resulting in less wear
- PemkoHinge® goes through the anodizing process after completing all machining. This means the machined aluminum surfaces that are in direct contact with the bearing have a smoother, harder surface, thereby reducing wear
- PemkoHinge® maintains uniform bearing spacing for the full length of the hinge even when lengths exceed 10'
- Pemko uses self drilling No.12-24 x 11/16" Flat Head Undercut, Type C, thread-forming fasteners, no tapping required
- PemkoHinge® commercial models are ideal for use on lead lined doors (i.e. hospital X-ray rooms), without requiring special screw locations

### How To Order (Hinge Part Designations)

Example: D | SPFM | 85 | SLI | HD1

FINISHES		HINGE TYPES		LENGTHS		HINGE OPTIONS		CAPACITY	
BL	Black Anodized	FM	Full-Mortise	79	"blank"	Standard	"blank"	Standard Duty	
BSP	Black Suede Powder Coat*	FS	Full-Surface	83	CP	Center Pivot	HD1	Heavy Duty, Grade 1	
C	Clear Anodized	HS	Half-Surface	85	RG	Raised Gear	HD3	Heavy Duty, Grade 3	
D	Dark Bronze Anodized	RS138	Full-Mortise Residential: 1¾"	95	SF	Safety			
G	Gold Powder Coat	RS175	Full-Mortise Residential: 1¾"	120	SL	Short Leaf (residential only)			
SN	Satin Nickel Powder Coat	SPFM	Special Full-Mortise		SLF	Short Leaf Flush			
WSP	White Suede Powder Coat *	WT_FM	Wide Throw Full-Mortise		SLI	Short Leaf Inset			
10BE	Satin Bronze Powder Coat *	WT_HS	Half-Surface						

\*Only available on select profiles

**PEMKO**  
**ASSA ABLOY**

Experience a safer  
and more open world

800-824-3018 | [www.pemko.com](http://www.pemko.com)  
Check the web site for the up-to-date catalog

Copyright © 2015-2023, ASSA ABLOY Accessories and Door Controls Group, Inc., an ASSA ABLOY Group company. All rights reserved. Reproduction in whole or in part without the express written permission of ASSA ABLOY Accessories and Door Controls Group, Inc. is prohibited.

## BHMA Certification Program

This program was developed to establish product classifications through performance testing. Three grades (1, 2 and 3) of product classifications were established for continuous hinges, with three weight groups (150, 300 and 600) for each grade: Grade 3 being the lowest and Grade 1 being the highest classification. Each classification and weight group has a set of established cycle requirements and wear characteristics, with a minimum for vertical and lateral wear to establish a listing under a weight and grade classification, after the set number of cycles is completed.

Maximum Vertical Wear Allowable:

Grade 3 = 0.105"

Grade 2 = 0.030"

Grade 1 = 0.020"

Maximum Lateral Wear Allowable:

All Grades = 0.062"

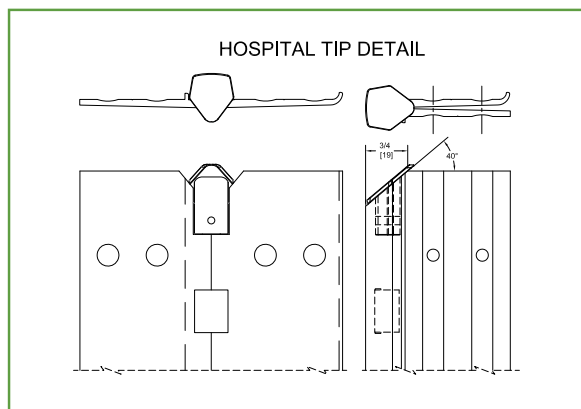
Cycle requirements range from Grade 3-600 requiring 100,000 cycles through Grade 1-150 requiring 2.5 million cycles.

For more information on certification testing or other product certification programs, please contact Pemko Customer Service.



## Hospital Tip

A special modification is available for certain hinges which provides a Hospital Tip Cap at the top of the gear cap, leaving no opening. A 45° angled cut on the gear cap and leaf covers provides a safe environment for hospitals and correctional facilities.



## Cycle Requirements - Per BHMA Standard ANSI/BHMA A156.26-2012

- Standard Duty Hinges (excluding \_RS175 & \_RS138) conform to Grade 3-150 and Grade 3-300
- HD3 Hinges conform to Grade 3-150, Grade 3-300, and Grade 3-600
- HD1 Hinges conform to Grade 2-150, Grade 1-300, and Grade 1-600
- 1100 Series and X-Series Hinges conform to Grade 1-150

## Weight Bearing - Per BHMA Standard ANSI/BHMA A156.26-2012

- This information pertains to all commercial models
- Heavier weight can be carried; please contact Customer Service for applications other than those listed in the chart
- Special hinge reinforcements are not required as hollow metal door and frame manufacturers' standard are acceptable. Removal of hinge reinforcements in the door and frame is not advised. Hinge preps must have fillers installed

## UL Fire Labeled 1½ & 3 Hour



LISTED  
DOOR HINGE  
76Y2

- All models designated with these symbols are tested and certified by Underwriters Laboratories Inc.® (U.S.A. and Canada) to standards UL10B, UL10C and UBC7.2 (positive pressure) for a 1½-Hour Fire Listing for all 4'0" x 10'0" and 8'0" x 10'0" door and frame assemblies. Fire listing certifications apply to all approved hollow metal and wood door assemblies in drywall or masonry wall construction
- Special FirePins™ are only required on 3-Hour assemblies. Please refer to page 95 for illustrations and information regarding the application of Pemko FirePins™

- All hinges are supplied with standard fastener kits. Replacement kits/individual fasteners may be purchased separately
- Particle Board/TORX fasteners may be purchased separately. Full-mortise hinges require 40 each; half-surface hinges require 20 each; full-surface hinges require 12 each
- All half-surface and full-surface hinges are supplied with a snap cover for the door leaf. Replacement snap covers may be purchased separately

# ELECTRICALLY MODIFIED CONTINUOUS GEARED HINGES

## Electrical Modifications

- Pemko has vastly improved the cycle performance of the electrically modified hinge. Performance testing has shown that 3,000,000+ cycles can now be achieved using Pemko's exclusive polyurethane-coated 4, 8, or 12 TRI-FLEX titanium copper alloy cables. Each cable is capable of carrying 6 amps continuous or 16 amps in-rush @ 24-volts for 820 milliseconds. When ordering, please use the "shorthand code" shown in the chart page 82. For example, if you require a Clear Anodized standard Full-Mortise hinge at 83" with Quick Connect transfer - 4-wire, modified 36 1/4" from the top, right hand, you would order a CFM83 with QC4 at 36 1/4" from top - RH

## Options for Electrically Modified Continuous Geared Hinges

These options allow variable degrees of service to be performed at the specific locations of the current carrying cables by installing a serviceable/removable hinge which includes a removable module (SER), or installing a hinge with a pivoting accessible feature (ACC).

- Both options (SER & ACC) are available in 4 Wire (QC4), 8 Wire (QC8), 12 Wire (QC12) variants
- Available on FM, FS, HS, KFM, SLF, SLI, XF, XI, XK, XM, X25M Models

## Serviceable/Removable (SER) Module

The hinge is furnished to be installed in three sections allowing the current carrying cable to be serviced or replaced without removing the door from the frame. Additionally, the SER option allows the current carrying cables to be safely stored or delivered to the electrician or security contractor prior to the installation of the electrified hardware, eliminating the necessity of the electrician or security contractor being present when the doors are being hung.

Product Numbering Example: **CFM83HD1xSER4**

## Accessible (ACC) Feature

The hinge is furnished to be installed in a single section with the leaves modified to pivot at the location of the current carrying cable and allow access to the cables and connected wiring.

Product Numbering Example: **CFM83HD1xACC4**

## Concealed Magnetic Monitoring (CM)

Concealed magnetic monitoring is also available with the SER and ACC options. Magnetic monitor is supplied with monitor and an adjustable magnet.

Product Numbering Example: **CFM83HD1xSER4xCM**  
**CFM83HD1xACC4xCM**

## Customer Information Needed:

- Specify handing and prep location

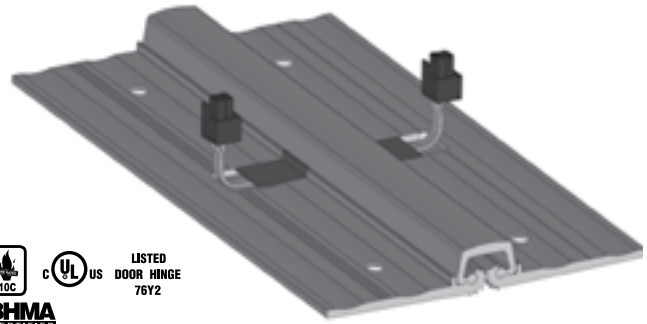
### Included:

- HD1, 1100 and X-Series model hinges using Molex connectors with ElectroLynx® are warranted for five (5) years. Standard duty and HD3 hinges are warranted for one (1) year

### ElectroLynx®

As part of their promise to provide innovative, fast and effective high security solutions to their customers, certain ASSA ABLOY Group brands offer ElectroLynx®, a universal quick-connect system that simplifies the electrification of the door opening.

ElectroLynx® is a registered trademark of ASSA ABLOY Inc.



Quick Connect Transfer For Full Mortise (FM) Hinges	QC4 4 WIRE	Quick Connect Transfer For Full Surface (FS) & Half Surface (HS) Hinges	QC4_S 4 WIRE
	QC8 8 WIRE		QC8_S 8 WIRE
	QC12 12 WIRE		QC12_S 12 WIRE

Additional Electrical Modifications Options Code	
Additional Length of Quick Connect Cable Leads	
Adjustable Concealed Magnetic Monitoring	CM
Power Transfer - Prep Only	PT



Experience a safer and more open world

800-824-3018 | www.pemko.com  
Check the web site for the up-to-date catalog



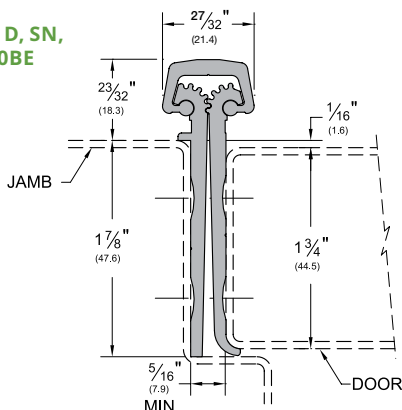
# X-SERIES HINGES

- Thicker leaves than traditional continuous geared hinge and requires no additional clearance
- X-Series Hinges are HD1 Grade as standard
- X-Series hinges allow for a deeper cavity for electrical wires when ordering an electrified hinge

## Full Mortise

XM\_

STANDARD FINISHES: **BSP, C, D, SN, WSP, 10BE**

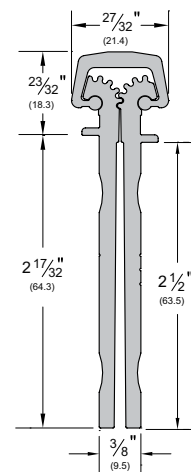


## Full Mortise for 2 1/2" Thick Door

- Wider hinge leaves to accommodate doors 2 1/2" thick

X25M\_

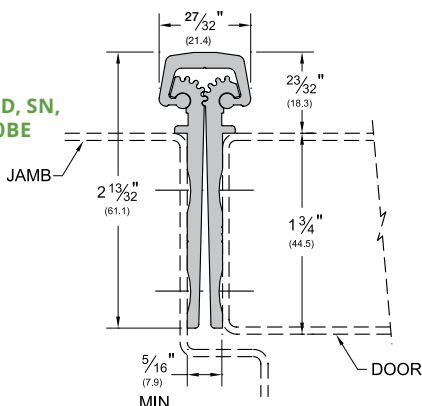
STANDARD FINISHES: **BSP, C, D, SN, WSP, 10BE**



## Short Leaf Flush

XF\_

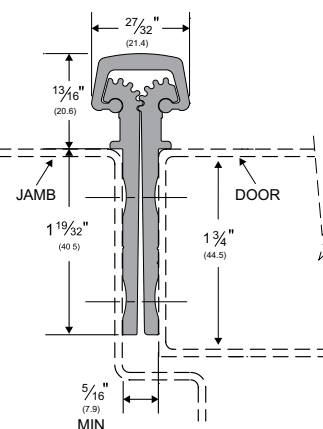
STANDARD FINISHES: **BSP, C, D, SN, WSP, 10BE**



## Kawneer Full Mortise

XK\_

STANDARD FINISHES: **BSP, C, D, SN, WSP, 10BE**

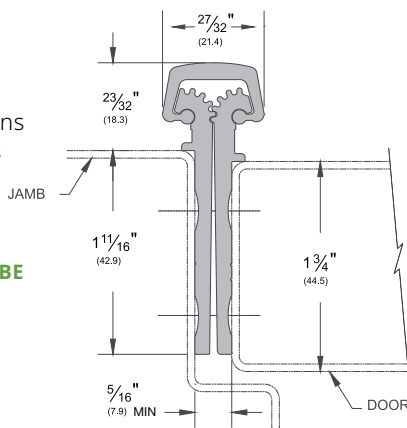


## Short Leaf Inset

- Designed for use with hollow metal doors where the inset conforms to S.D.I. specifications for aligning doors and frames

XI\_

STANDARD FINISHES: **BSP, C, D, SN, WSP, 10BE**



### AVAILABLE FINISHES FOR PRODUCTS SHOWN ON THIS PAGE

**10BE** (Satin Bronze Powder Coated Aluminum) **BSP** (Black Suede Powder Coated Aluminum) **C** (Clear Anodized) **D** (Dark Bronze Anodized) **SN** (Satin Nickel Powder Coated Aluminum) **WSP** (White Suede Powder Coated Aluminum)

800-824-3018 | www.pemko.com

Check the web site for the up-to-date catalog

Copyright © 2015-2023, ASSA ABLOY Accessories and Door Controls Group, Inc., an ASSA ABLOY Group company. All rights reserved. Reproduction in whole or in part without the express written permission of ASSA ABLOY Accessories and Door Controls Group, Inc. is prohibited.



Experience a safer and more open world

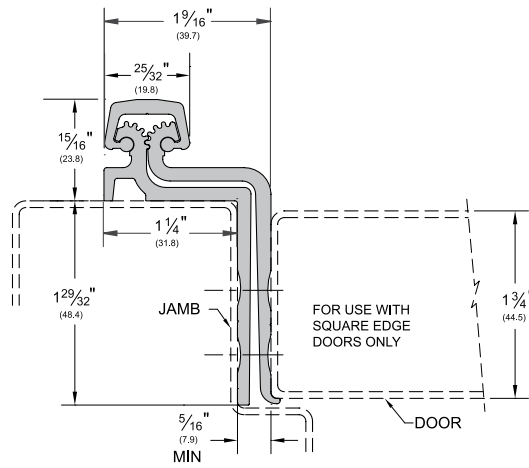
# OFFSET HINGES

- Used when extra clearance is needed when the door is open at 90°

## Offset Full Mortise

\_OS\_FM

STANDARD FINISHES: **C, D**

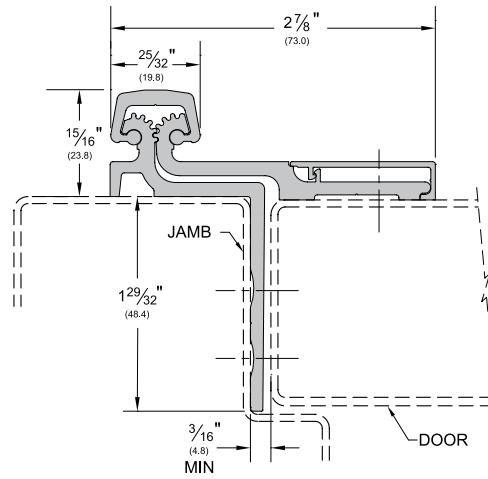


## Offset Half Surface

- Replacement snap cover is C1 for Clear Anodized or D1 for Dark Bronze Anodized

\_OS\_HS

STANDARD FINISHES: **C, D**



AVAILABLE FINISHES FOR PRODUCTS SHOWN ON THIS PAGE  
**C** (Clear Anodized) **D** (Dark Bronze Anodized)



Experience a safer  
and more open world

800-824-3018 | [www.pemko.com](http://www.pemko.com)  
 Check the web site for the up-to-date catalog

Copyright © 2015-2023, ASSA ABLOY Accessories and Door Controls Group, Inc., an ASSA ABLOY Group company. All rights reserved. Reproduction in whole or in part without the express written permission of ASSA ABLOY Accessories and Door Controls Group, Inc. is prohibited.

# FULL MORTISE HINGES

- Full-Mortise units are designed mainly for new door applications and are applied to the frame rabbet and door edge to conceal both leaves

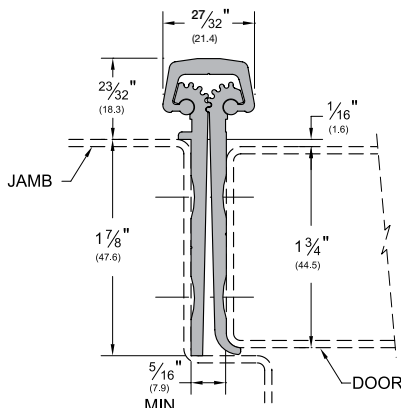
## Full Mortise

\_FM

STANDARD FINISHES: **BSP, C, D, SN, WSP, 10BE**



Evaluated in accordance with TAS201-94, TAS202-94, TAS203-94, ASTM E330, ASTM E1886, ASTM E1996, and ANSI A250.13 (includes PemKonnnect version)



## Modular Hinge Option

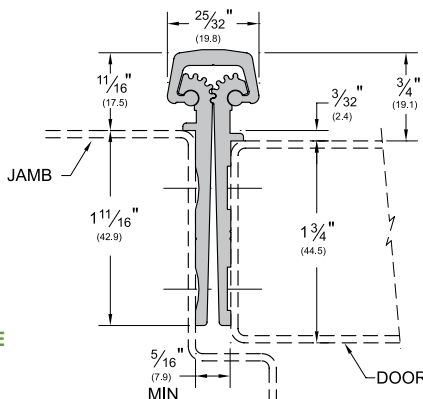
- Hinge is provided in 2 or 3 segments depending on length
- Hinges are packed in a shorter box and are easier to ship, transport, and store than traditional continuous hinges
- Available for select models, see price book for model availability

## Full Mortise Short Leaf Inset

- Designed for use with doors which range between 1 3/4" to 2 1/4"
- Designed for use with hollow metal doors and frames where the inset conforms to S.D.I. specifications for aligning doors and frames

\_FM\_SLI

STANDARD FINISHES: **BSP, C, D, SN, WSP, 10BE**



Evaluated in accordance with TAS201-94, TAS202-94, TAS203-94, ASTM E330, ASTM E1886, ASTM E1996, and ANSI A250.13

## Full Mortise Short Leaf Flush

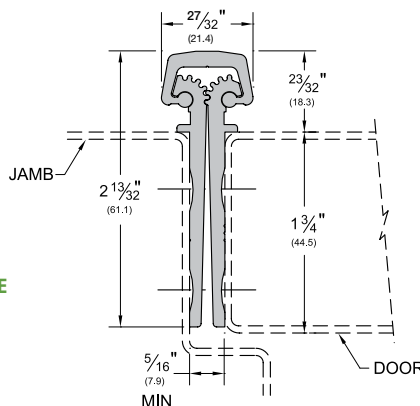
- Designed for use with doors which range between 1 3/4" to 2 1/4"
- Also used for bifold applications to keep the faces of the doors flush (not illustrated)

\_FM\_SLF

STANDARD FINISHES: **BSP, C, D, SN, WSP, 10BE**



Evaluated in accordance with TAS201-94, TAS202-94, TAS203-94, ASTM E330, ASTM E1886, ASTM E1996, and ANSI A250.13 (includes PemKonnnect version)



## Modular Hinge Option

- Hinge is provided in 2 or 3 segments depending on length
- Hinges are packed in a shorter box and are easier to ship, transport, and store than traditional continuous hinges
- Available for select models, see price book for model availability

### AVAILABLE FINISHES FOR PRODUCTS SHOWN ON THIS PAGE

**10BE** (Satin Bronze Powder Coated Aluminum) **BSP** (Black Suede Powder Coated Aluminum) **C** (Clear Anodized) **D** (Dark Bronze Anodized) **SN** (Satin Nickel Powder Coated Aluminum) **WSP** (White Suede Powder Coated Aluminum)

800-824-3018 | www.pemko.com

Check the web site for the up-to-date catalog

Copyright © 2015-2023, ASSA ABLOY Accessories and Door Controls Group, Inc., an ASSA ABLOY Group company. All rights reserved. Reproduction in whole or in part without the express written permission of ASSA ABLOY Accessories and Door Controls Group, Inc. is prohibited.



Experience a safer and more open world

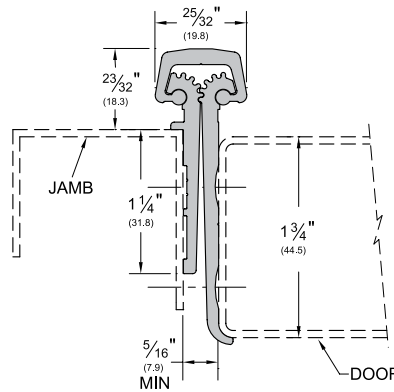
# SPECIAL FULL MORTISE HINGES

- Special Full-Mortise units are designed for door and frame applications where the hinge leaf may interfere with the weatherstrip, thermal break, or applied stop of the frame
- Special Full-Mortise hinges are applied to the frame rabbet and door edge to conceal both leaves

## Special Full Mortise

\_SPFM

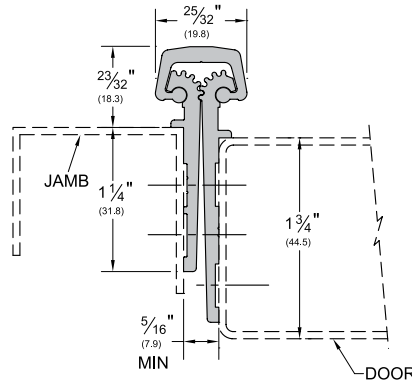
STANDARD FINISHES: **BSP, C, D, SN, WSP, 10BE**



## Special Full Mortise Short Leaf Inset

\_SPFM\_SLI

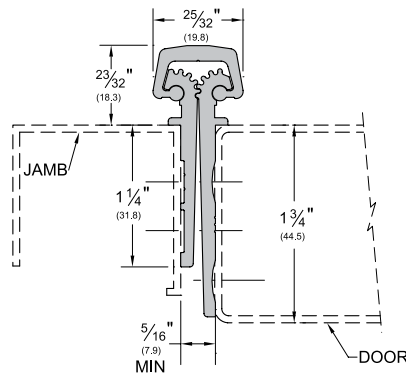
STANDARD FINISHES: **BSP, C, D, SN, WSP, 10BE**



## Special Full Mortise Short Leaf Flush

\_SPFM\_SLF

STANDARD FINISHES: **BSP, C, D, SN, WSP, 10BE**



AVAILABLE FINISHES FOR PRODUCTS SHOWN ON THIS PAGE

**10BE** (Satin Bronze Powder Coated Aluminum) **BSP** (Black Suede Powder Coated Aluminum) **C** (Clear Anodized) **D** (Dark Bronze Anodized) **SN** (Satin Nickel Powder Coated Aluminum) **WSP** (White Suede Powder Coated Aluminum)



Experience a safer and more open world

800-824-3018 | www.pemko.com  
Check the web site for the up-to-date catalog

Copyright © 2015-2023, ASSA ABLOY Accessories and Door Controls Group, Inc., an ASSA ABLOY Group company. All rights reserved. Reproduction in whole or in part without the express written permission of ASSA ABLOY Accessories and Door Controls Group, Inc. is prohibited.

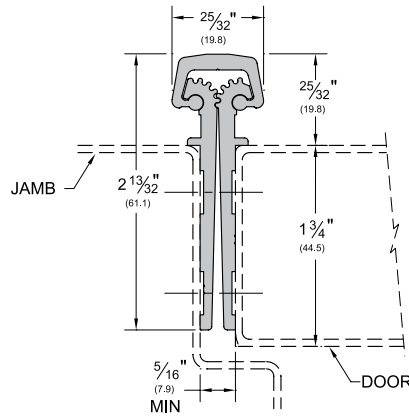
# FULL MORTISE HINGE

- Like our other Full Mortise units, the Kawneer Hinges are designed mainly for new door applications and are applied to the frame rabbet and door edge to conceal both leaves
- Developed for the Kawneer "Tuffline" series of aluminum doors

## Kawneer Full Mortise

K\_FM

STANDARD FINISHES: **BSP, C, D, SN, WSP, 10BE**



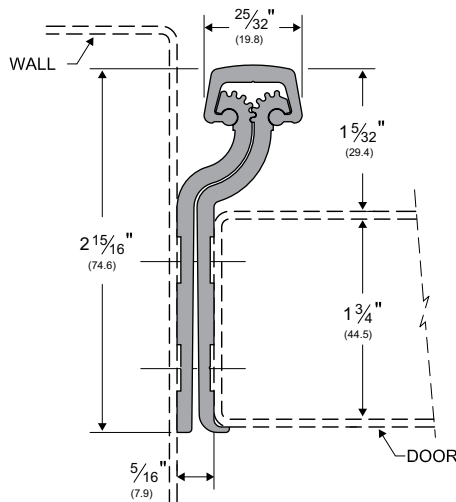
## Raised Gear Hinge

- Designed for wood or metal cased openings when hinge is to be installed deep on the rabbet. The design of the leaves allows for the hinge to pivot without interference from the cap.
- Certain door/frame conditions may require an extra 1/32" to 1/16" clearance. Excessive clearance on fire rated assemblies may violate the requirements of NFPA80

## Full Mortise Raised Gear

\_FM\_RG

STANDARD FINISHES: **BSP, C, D, SN, WSP, 10BE**



### AVAILABLE FINISHES FOR PRODUCTS SHOWN ON THIS PAGE

**10BE** (Satin Bronze Powder Coated Aluminum) **BSP** (Black Suede Powder Coated Aluminum) **C** (Clear Anodized)  
**D** (Dark Bronze Anodized) **SN** (Satin Nickel Powder Coated Aluminum) **WSP** (White Suede Powder Coated Aluminum)

800-824-3018 | www.pemko.com

Check the web site for the up-to-date catalog

Copyright © 2015-2023, ASSA ABLOY Accessories and Door Controls Group, Inc., an ASSA ABLOY Group company. All rights reserved. Reproduction in whole or in part without the express written permission of ASSA ABLOY Accessories and Door Controls Group, Inc. is prohibited.



Experience a safer and more open world

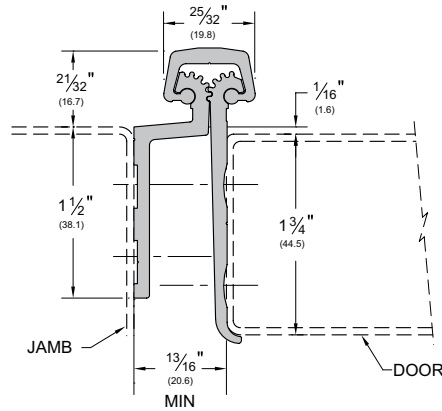
# FULL MORTISE SAFETY HINGE

- Full Mortise Safety units are designed mainly for new door applications in child care and nursing facilities
- These hinges require extra clearance and are applied to conceal both leaves

## Full Mortise Safety

\_FM\_SF

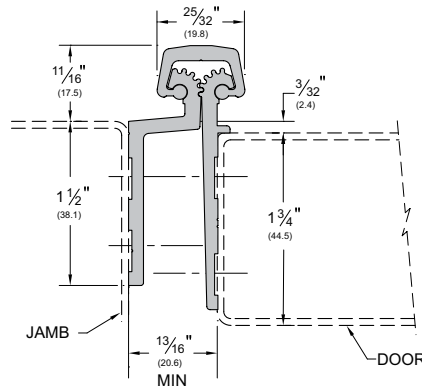
STANDARD FINISHES: **BSP, C, D, SN, WSP, 10BE**



## Full Mortise Short Leaf Inset Safety

\_FM\_SLISF

STANDARD FINISHES: **BSP, C, D, SN, WSP, 10BE**



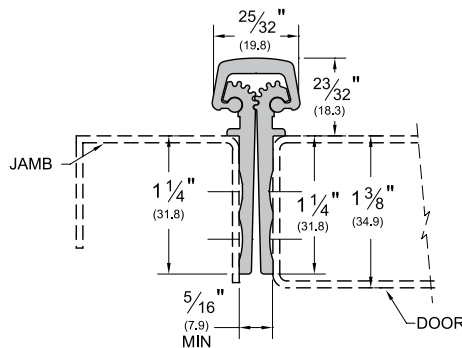
## Full Mortise Hinge for 1 3/8" Door

- More bearings than \_RS138 hinge to work in commercial grade application
- Shorter leaves for thinner doors

## Full Mortise

FM\_SLF138

STANDARD FINISHES: **BSP, C, D, SN, WSP, 10BE**



AVAILABLE FINISHES FOR PRODUCTS SHOWN ON THIS PAGE

**10BE** (Satin Bronze Powder Coated Aluminum) **BSP** (Black Suede Powder Coated Aluminum) **C** (Clear Anodized) **D** (Dark Bronze Anodized) **SN** (Satin Nickel Powder Coated Aluminum) **WSP** (White Suede Powder Coated Aluminum)



Experience a safer and more open world

800-824-3018 | www.pemko.com  
Check the web site for the up-to-date catalog

Copyright © 2015-2023, ASSA ABLOY Accessories and Door Controls Group, Inc., an ASSA ABLOY Group company. All rights reserved. Reproduction in whole or in part without the express written permission of ASSA ABLOY Accessories and Door Controls Group, Inc. is prohibited.

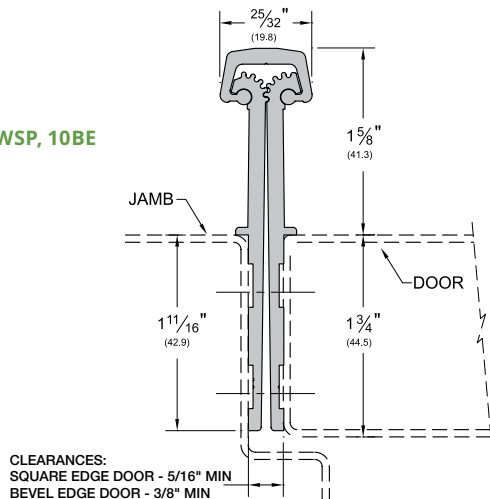
## WIDE THROW FULL MORTISE HINGE

- Wide Throw Full Mortise units are designed mainly for new door applications that require extra clearance due to special frame, door or wall design, and are applied to the frame rabbet and door edge to conceal both leaves
- More clearance between the door and frame when door is open 180°
- Available only in heavy duty to support larger doors

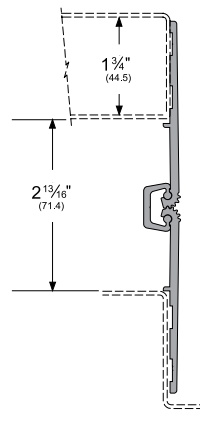
### Wide Throw Full Mortise

WT\_FM

STANDARD FINISHES: **BSP, C, D, SN, WSP, 10BE**



CLEARANCES:  
 SQUARE EDGE DOOR - 5/16" MIN  
 BEVEL EDGE DOOR - 3/8" MIN



WT\_FM in full open position.

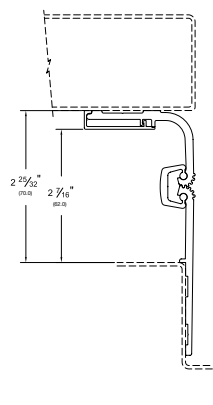
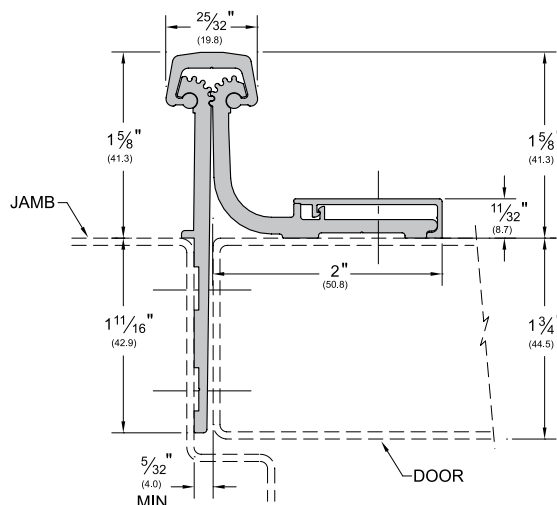
## WIDE THROW HALF SURFACE HINGE

- Wide Throw Half Surface units are designed mainly for retrofit applications that require extra clearance due to special frame, door, or wall design and are applied to the frame rabbet and the exposed door surface
- Wide Throw Half Surface units combine the versatility of the Half Surface unit and the clearance of a Wide Throw hinge into one
- Replacement snap cover is C1 for Clear Anodized or D1 for Dark Bronze Anodized

### Wide Throw Half Surface

WT\_HS

STANDARD FINISHES: **C, D**



WT\_HS in full open position.

AVAILABLE FINISHES FOR PRODUCTS SHOWN ON THIS PAGE AS INDICATED BY PROFILE

(see General Information section for finish chart)

**10BE** (Satin Bronze Powder Coated Aluminum) **BSP** (Black Suede Powder Coated Aluminum) **C** (Clear Anodized)  
**D** (Dark Bronze Anodized) **SN** (Satin Nickel Powder Coated Aluminum) **WSP** (White Suede Powder Coated Aluminum)

800-824-3018 | www.pemko.com

Check the web site for the up-to-date catalog

Copyright © 2015-2023, ASSA ABLOY Accessories and Door Controls Group, Inc., an ASSA ABLOY Group company. All rights reserved.  
 Reproduction in whole or in part without the express written permission of ASSA ABLOY Accessories and Door Controls Group, Inc. is prohibited.



Experience a safer  
and more open world

## HALF SURFACE HINGE

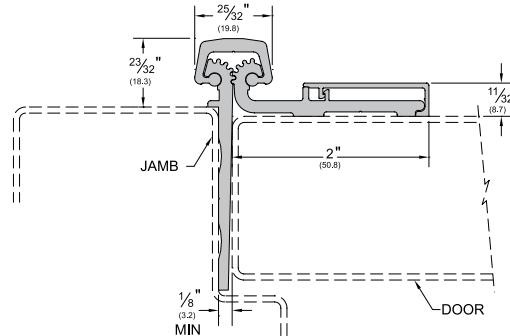
- Half Surface units are designed mainly for retrofit work, and are applied to the exposed surface of the door and the frame rabbet
- Designed for use with hollow metal frames, where the inset conforms to S.D.I. specifications for aligning doors and frames

- Allows for adjustments in order to properly align edge of the door to the frame
- Replacement snap cover is C1 for Clear Anodized or D1 for Dark Bronze Anodized

### Half Surface

\_HS

STANDARD FINISHES: **C, D**



## HALF SURFACE SAFETY HINGE

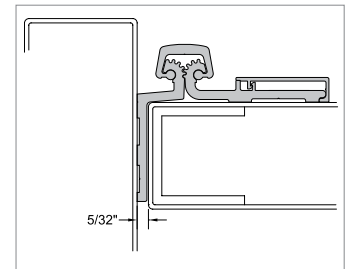
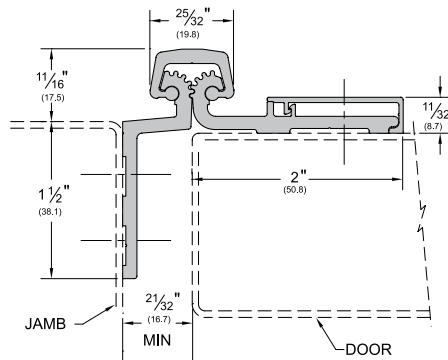
- Half Surface Safety units are designed mainly for retrofit work in child care and nursing facilities and are applied to the exposed surface of the door and the frame rabbet

- Replacement snap cover is C1 for Clear Anodized or D1 for Dark Bronze Anodized

### Half Surface Safety

\_HS\_SF

STANDARD FINISHES: **C, D**



HS\_SF in deep frame application is no longer a safety hinge

## HALF MORTISE HINGE

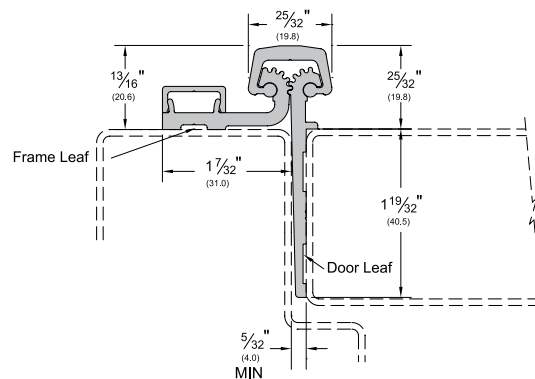
- Half Mortise units are designed mainly for retrofit work and are applied to the exposed surface of the frame and the door edge
- Designed to require only 5/32" clearance instead of 5/16" and also allows for adjustments to properly align edge of the door to the frame face

- Replacement snap cover is C29316 for Clear Anodized or D29316 for Dark Bronze Anodized

### Half Mortise

\_HM

STANDARD FINISHES: **C, D**



AVAILABLE FINISHES FOR PRODUCTS SHOWN ON THIS PAGE  
**C** (Clear Anodized) **D** (Dark Bronze Anodized)



Experience a safer  
and more open world

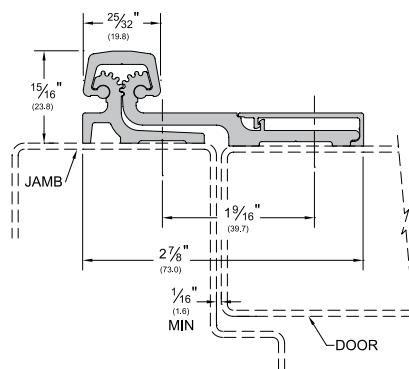
800-824-3018 | www.pemko.com  
 Check the web site for the up-to-date catalog

Copyright © 2015-2023, ASSA ABLOY Accessories and Door Controls Group, Inc., an ASSA ABLOY Group company. All rights reserved. Reproduction in whole or in part without the express written permission of ASSA ABLOY Accessories and Door Controls Group, Inc. is prohibited.



## STANDARD FULL SURFACE HINGE

- Full Surface units are designed mainly for retrofit work, and are applied to the exposed surfaces of the door and frame
- Replacement snap cover is C1 for Clear Anodized or D1 for Dark Bronze Anodized



### Modular Hinge Option

- Hinge is provided in 2 or 3 segments depending on length
- Hinges are packed in a shorter box and are easier to ship, transport, and store than traditional continuous hinges
- Available for select models, see price book for model availability

### Full Surface

\_FS

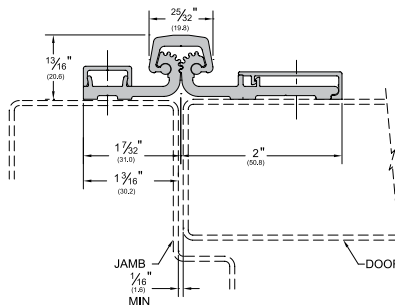
STANDARD FINISHES: **C, D**



Evaluated in accordance with TAS201-94, TAS202-94, TAS203-94, ASTM E330, ASTM E1886, ASTM E1996, and ANSI A250.13 (PemKonnnect version only)

## FULL SURFACE CENTER PIVOT HINGE

- Full Surface Center Pivot units are designed mainly for retrofit work and are applied to the exposed surfaces of the door and frame
- Full Surface Center Pivot units easily replace butt hinges since no door or frame adjustments are necessary and are more versatile with restricted frame faces
- Replacement snap cover for door leaf is C1 for Clear Anodized or D1 for Dark Bronze Anodized. Replacement snap cover for frame leaf is C29316 for Clear Anodized or D29316 for Dark Bronze Anodized



### Modular Hinge Option

- Hinge is provided in 2 or 3 segments depending on length
- Hinges are packed in a shorter box and are easier to ship, transport, and store than traditional continuous hinges
- Available for select models, see price book for model availability

### Full Surface Center Pivot

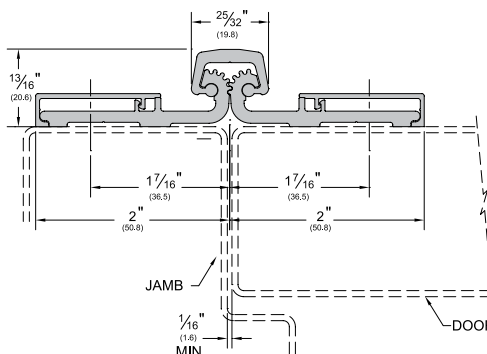
\_FS\_CP

STANDARD FINISHES: **C, D**



## FULL SURFACE BALANCED PIVOT HINGE

- Allows for easy replacement from butt hinges as the pivot point remains the same and no door or frame adjustments are necessary
- No template adjustments are needed for existing door opening/closing devices
- Equal length leaves provide an aesthetic appearance
- Good in a bi-fold application where two doors need to be hinged
- Replacement snap cover for either leaf is C1 for Clear Anodized or D1 for Dark Bronze Anodized



### Full Surface Balanced Pivot

\_FS\_BP

STANDARD FINISHES: **C, D**



AVAILABLE FINISHES FOR PRODUCTS SHOWN ON THIS PAGE  
**C** (Clear Anodized) **D** (Dark Bronze Anodized)

**PEMKO**  
**ASSA ABLOY**

800-824-3018 | www.pemko.com

Check the web site for the up-to-date catalog

Copyright © 2015-2023, ASSA ABLOY Accessories and Door Controls Group, Inc., an ASSA ABLOY Group company. All rights reserved. Reproduction in whole or in part without the express written permission of ASSA ABLOY Accessories and Door Controls Group, Inc. is prohibited.

Experience a safer  
 and more open world

# FULL MORTISE RESIDENTIAL HINGES

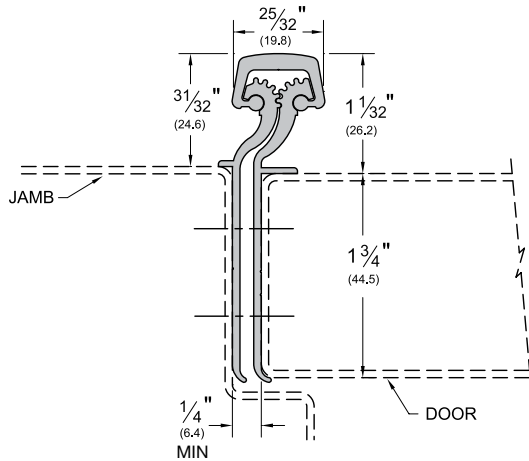
- Full Mortise Residential units are designed mainly for new door and frame applications, and are applied to conceal both leaves

NOTE: All RS series hinges are excluded from the "LIFE OF THE OPENING" guarantee, and instead carry a ten (10) year warranty

## \_RS175

STANDARD FINISHES: **C, D**

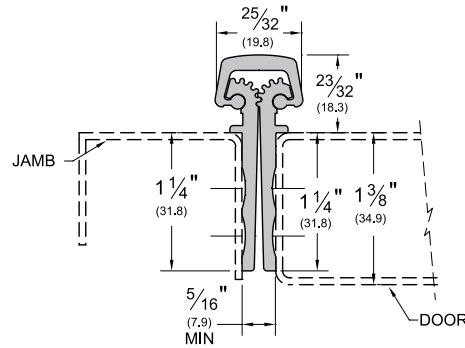
- Designed for 1<sup>3</sup>/<sub>4</sub>" MAXIMUM thickness with a weight up to 90 lbs.



## \_RS138

STANDARD FINISHES: **C, D**

- Shorter leaves for thinner doors
- Designed for doors 1<sup>3</sup>/<sub>8</sub>" thick with a weight limit up to 90 lbs.



AVAILABLE FINISHES FOR PRODUCTS SHOWN ON THIS PAGE  
**C** (Clear Anodized) **D** (Dark Bronze Anodized)



Experience a safer and more open world

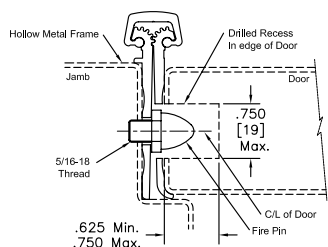
800-824-3018 | [www.pemko.com](http://www.pemko.com)  
 Check the web site for the up-to-date catalog

Copyright © 2015-2023, ASSA ABLOY Accessories and Door Controls Group, Inc., an ASSA ABLOY Group company. All rights reserved. Reproduction in whole or in part without the express written permission of ASSA ABLOY Accessories and Door Controls Group, Inc. is prohibited.

# FIREPINS FOR USE WITH 3-HOUR FIRE RATED ASSEMBLIES

- FirePins™ are required to achieve 3-hour fire rating
- Although PemkoHinge® Continuous Hinges carry UL Fire Ratings unequalled in the industry, some applications may require the use of FirePins™
- FirePin™ applications fall within the UL guidelines for retro-fitting assemblies in the field. Expensive shop modifications and door/frame reinforcements are not required
- FirePins™ also add extra security to a door assembly

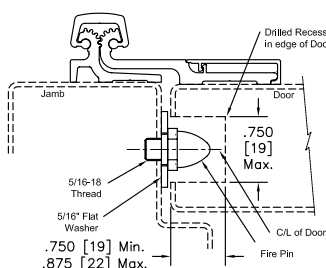
## Full Mortise Hinges



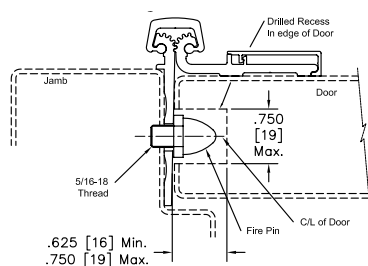
### FirePin Locations

- The locations (illustrated right) indicate where holes should be drilled on the hinge edge of the door
- These locations are appropriate for all hinge models (Full Mortise, Full Surface, and Half Surface)

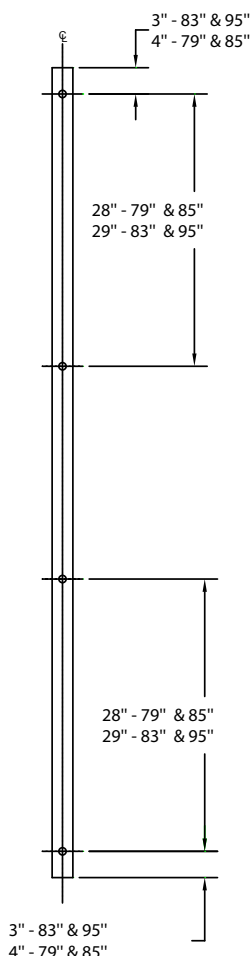
## Full Surface Hinges



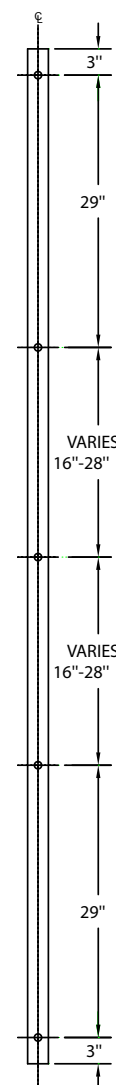
## Half Surface Hinges



### 80" to 95" Hinges



### 96" to 120" Hinges



# DOUBLE SWING HINGE AND EMERGENCY RELEASE STOP

- Innovative healthcare solution that permits quick door opening in an emergency situation
- Double Swing Hinge has a unique 100° swing and allows the door to swing in either direction
- Emergency Release Stop features a special flush bolt that is used to release the door in an emergency situation. Hospital tip is standard.
- The Pemko DSH1000 Pin & Barrel Double Swing Hinge is an option to use with the Emergency Release Stop to create an anti-barricade system.
- Order form required, available online.

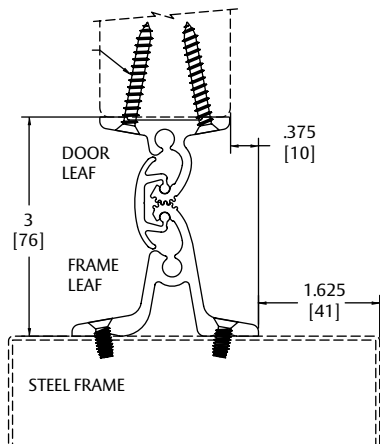
## Double Swing Hinge

- Meets the cycle test requirements for ANSI/BHMA A156.26 for Continuous Hinges.
- Meets the barrier free requirements of ICC/ANSI A117.1 and ADAAG (2010)

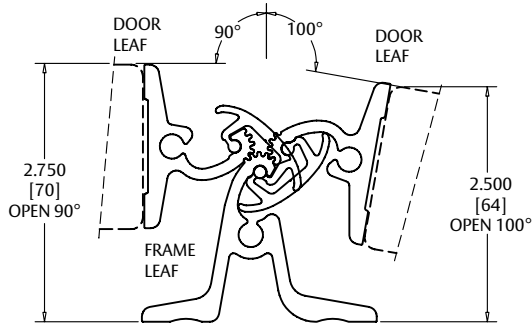
DSH\_

AVAILABLE FINISHES: C

- Designed for 1¾" MAXIMUM thickness with a weight up to 250 lbs.



Hinge Size	Opening	Clear Anodized
84"	7' 0"	DSHP01C-84
96"	8' 0"	DSHP01C-96
120"	10' 0"	DSHP01C-120



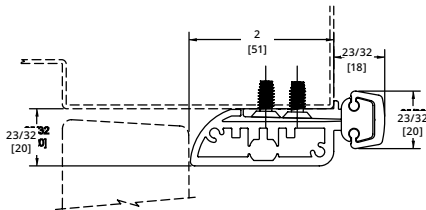
NOTE: DSH1000 Pin & Barrel Double Swing Hinge shown on page 95

## Emergency Release Stop

- Minimum 2¾" backset for hardware trim
- NOTE: With 2¾" hardware trim backset, a Notch is required in the ERS to clear the hardware trim. The type of Notch is determined by the manufacturer based on the information provide on the order form.
- To avoid using an extended lip strike, use a single rabbit jamb on strike side of frame only with cased open header and hinge jamb.

ERS\_

AVAILABLE FINISHES: C



Hinge Size	Opening	Clear Anodized - Left Hand	Clear Anodized - Right Hand
84"	7' 0"	ERS84CxHT-LH	ERS84CxHT-RH
96"	8' 0"	ERS96CxHT-LH	ERS96CxHT-RH
120"	10' 0"	ERS120CxHT-LH	ERS120CxHT-RH

AVAILABLE FINISHES FOR PRODUCTS SHOWN ON THIS PAGE  
C (Clear Anodized)



Experience a safer and more open world

800-824-3018 | www.pemko.com  
Check the web site for the up-to-date catalog

# PEMKO 1000 SERIES ALUMINUM PIN & BARREL CONTINUOUS HINGES

## Short Form Architectural Specification:

Continuous hinges shall be full height piano-type hinge providing full height door support.

- Supports weights up to 600 lbs. 4'0" maximum door width
- Material to be extruded aluminum 6063-T6 alloy
- .250" diameter stainless pin (rod)
- Each knuckle 4", including nylon bearing at each separation for a quiet, smooth, self-lubricating operation
- Finish: Clear Anodized (628)
- All hinges shall be furnished with manufacturer's recommended hardware pack per specific model application
- Exterior barrel diameter .750" (3/4")
- Hinges certified ANSI/BHMA Standard A 156.26 Grade 1
- Symmetrically templated hole pattern

*Note: 25-Year Warranty on all Continuous Pin & Barrel Hinges*

# PEMKO DSH1000 DOUBLE SWING HINGE

## Standard Features

### Barrel Type Hinge

.250" diameter stainless steel pin (rod)

Medical bearings

### Material

6063-T6 aluminum alloy

### Finishes

Clear Anodized (628)

Order form required, available online.

### Standards

ANSI/BHMA Standard A156.26 Grade 1

### Mounting Hardware

12-24 x 11/16" Torx Flat Head Undercut TEK Screws  
#12-8 Torx Flat Head Particle Board Screw

### Capacity

Supports weights up to 600lbs. 4'0" maximum door width

### Standard Sizes

7'0", 8'0"

### Hole Pattern

Symmetrically templated

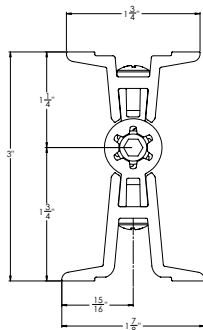
### Handing

Handing not required

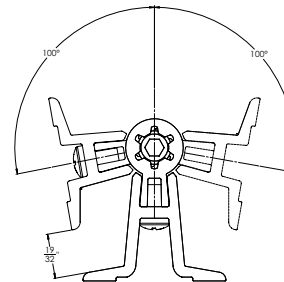
### CMS Compliant

Eliminating additional ligature points ensures compliance for reimbursement through CMS (Centers for Medicare and Medicaid Services)

This door edge mounted aluminum pin & barrel type hinge has a unique feature that allows the door to swing in either direction up to 100°. When used in conjunction with Pemko Emergency Release Stop (ERS) provides an anti-barricade system.



Door Closed



Door Open 100° Either Direction

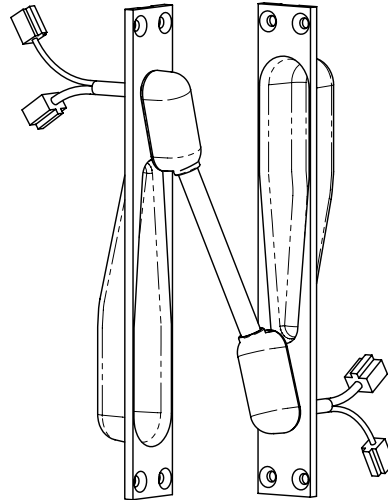
# POWER TRANSFERS

- These Securitron electronic power transfer units fit into doors and frames to transfer power from your power supply to the door-mounted electronic device
- Contact your hinge manufacturer for cutout availability
- Order form required, available online

## EL-CEPT

AVAILABLE COLORS:  
**US32D, US10B**

- Mortises into the edges of the door and frame
- Tamper-resistant; no exposed openings
- All metal construction, including backboxes
- 7/8" knockouts on back boxes to accommodate EMF-type fitting
- 12-wire configuration with ElectroLynx compatible connectors
- Tested to 1,000,000 cycles
- Will not work on center-hung or balanced doors
- Works with most continuous hinges, up to 6" wide
- UL10B and UL10C listed



## EL-EPT

AVAILABLE COLORS:  
**US2C**

- Installs in the door and frame edges
- Flexible steel shield protects wires—3/8" (9.5mm) I.D.
- New universal device; works with most butt and continuous hinges
- Not for use with center pivot doors or with pivot hinges with offset greater than 3/4"
- UL634, UL10B, UL10C Listed
- ANSI A250.13-2003-Windstorm Resistant



## EL-EPTL

AVAILABLE COLORS:  
**US2C**

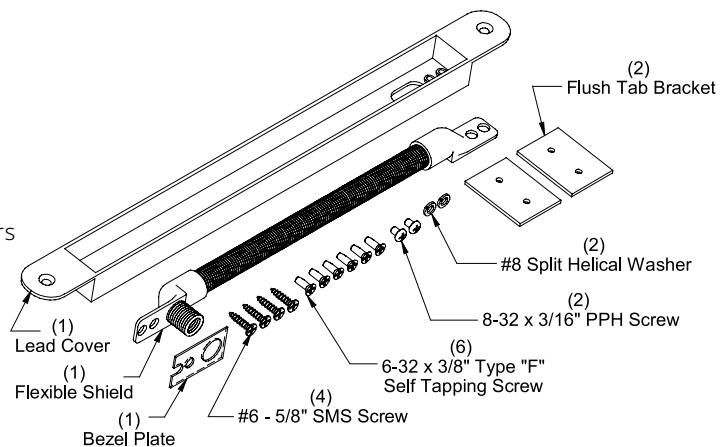
- Installs in the door and frame edges
- Flexible steel shield protects wires—3/8" (9.5mm) I.D.
- New universal device; works with most butt and continuous hinges
- Not for use with center pivot doors or with pivot hinges with offset greater than 3/4"
- UL634, UL10B, UL10C Listed
- ANSI A250.13-2003-Windstorm Resistant



## EL-EPT-SC

AVAILABLE COLORS:  
**US2C**

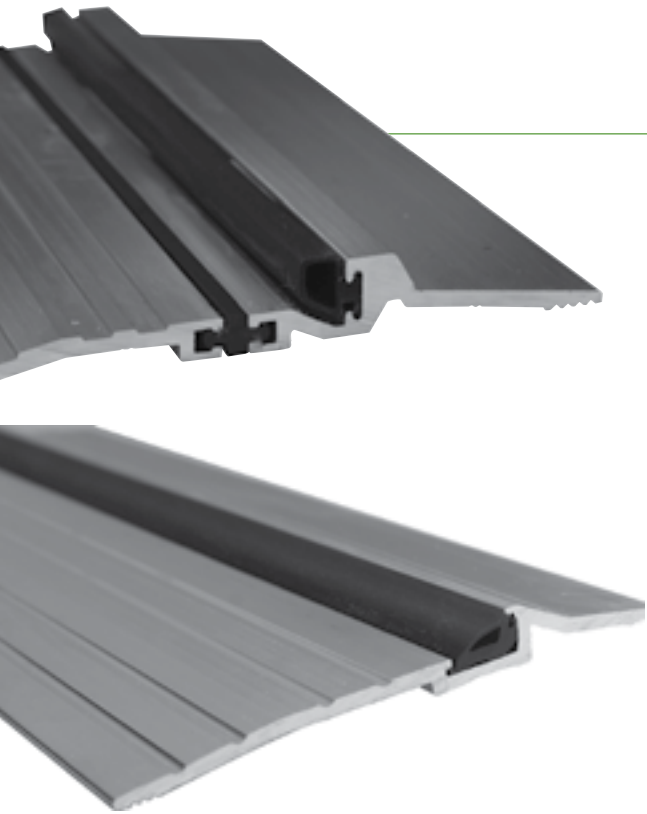
- Installs in the door and frame edges
- Flexible steel shield protects wires—3/8" (9.5mm) I.D.
- New universal device; works with most butt and continuous hinges
- Functions on off-set pivot and swing clear hinged doors
- UL634, UL10B, UL10C Listed
- ANSI A250.13-2003-Windstorm Resistant



Experience a safer  
and more open world

800-824-3018 | [www.pemko.com](http://www.pemko.com)  
Check the web site for the up-to-date catalog

Copyright © 2015-2023, ASSA ABLOY Accessories and Door Controls Group, Inc., an ASSA ABLOY Group company. All rights reserved. Reproduction in whole or in part without the express written permission of ASSA ABLOY Accessories and Door Controls Group, Inc. is prohibited.



# COMMERCIAL THRESHOLDS

## CONTENTS:

Saddle Thresholds .....	96
Half Saddle Thresholds .....	101
Offset Saddles and Offset Half Saddles .....	103
Stainless Steel Saddles .....	104
Stainless Steel Half Saddles and Offset Saddles .....	104
Thermal Break Saddles .....	105
Stainless Steel Thermal Break Threshold .....	108
Latching Panic Exit Saddles .....	109
Latching Panic Exit Saddles - Thermal Break .....	113
Acoustic Thresholds .....	116
Threshold with Flexible Joint .....	116
Concealed Fastener Thresholds .....	117
Eco-V™ Thresholds .....	118
Adjustable-Width Eco-V™ Threshold .....	119
Heavy Duty Latching Panic Exit Saddle Threshold .....	120
Heavy Duty Thresholds .....	120
Modular Heavy Duty Thresholds .....	121
Floor Plates/Safety Treads .....	122
Aluminum Plates .....	123
Carpet Separators .....	124
Floor Plate Supports/Accessories and Elevators .....	125
Threshold Stop Strips .....	126
Floor Closer Thresholds/Cover Plate Assemblies .....	127
ANSI/BHMA A156.21 Thresholds - Cross Reference .....	128

## INDEX:

<u>PRODUCT</u>	<u>PAGE</u>	<u>PRODUCT</u>	<u>PAGE</u>	<u>PRODUCT</u>	<u>PAGE</u>	<u>PRODUCT</u>	<u>PAGE</u>
14/1 .....	123	195 .....	125	254x226_FG .....	113	279x224_FG .....	114
18/1 .....	123	196 .....	125	255 .....	102	279x292_FGPK .....	115
151 .....	96	200 .....	125	255x5 .....	100	282 .....	125
154 .....	98	227 .....	122	255x5_FG .....	106	283 .....	125
154SS .....	104	228 .....	122	255x 226 .....	112	290 .....	126
157 .....	103	229 .....	122	255x226_FG .....	113	566 .....	103
158 .....	103	230 .....	124	256 .....	102	566x3_FG .....	107
158SS .....	104	236 .....	124	256x6 .....	100	573x5_FG .....	116
159 .....	111	252 .....	102	256x6_FG .....	105	650 .....	117
166 .....	98	252SS .....	104	257x259 .....	127	651 .....	117
169 .....	98	252x2_FG .....	106	270 .....	96	671 .....	117
170 .....	98	252x2SSFG .....	108	271 .....	96	766 .....	103
171 .....	99	252x3_FG .....	106	272 .....	96	766x3_FG .....	107
172 .....	99	252x3SSFG .....	108	273 .....	101	1547 .....	98
173 .....	96	252x4SSFG .....	108	273x3_FG .....	105	1710 .....	99
174 .....	124	252x226 .....	112	273x4_FG .....	105	1715 .....	120
175 .....	98	252x226_FG .....	113	273x224_FG .....	114	1716 .....	121
175SS .....	104	253 .....	102	273x292_FGPK .....	115	1717 .....	121
176 .....	99	253SS .....	104	274 .....	101	1718 .....	121
176 .....	127	253x3_FG .....	106	274x4 .....	97	1719 .....	121
176x170 .....	127	253x3SS FG .....	108	274x4_FG .....	105	1842 .....	126
176x171 .....	127	253x4_FG .....	106	274x4x270 .....	127	1855 .....	111
177 .....	111	253x4SS FG .....	108	274x4x271 .....	127	1951 .....	124
179 .....	110	253x6_FG .....	107	274x224_FG .....	114	2001 .....	109
181 .....	111	253x226_FG .....	113	274x292_FGPK .....	115	2002 .....	109
182 .....	103	254 .....	102	276 .....	97	2005 .....	109
183 .....	125	254SS .....	104	276 .....	127	2006 .....	109
184 .....	126	254x4 .....	100	276x270 .....	127	2006STC .....	116
185 .....	112	254x4_FG .....	107	276x271 .....	127	2008 .....	116
190 .....	122	254x4SS FG .....	108	277 .....	110	2009 .....	110
191 .....	122	254x4x170 .....	127	278 .....	101	2010 .....	110
192 .....	122	254x4x171 .....	127	278x224_FG .....	114	2266 .....	122
193 .....	122	254x5_FG .....	107	278X292_FGPK .....	115	2286 .....	122
193x2/195 .....	127	254x226 .....	112	279 .....	101	2364 .....	124
						2548 .....	99
						2548 .....	127
						2548x170 .....	127
						2548x171 .....	127
						2549 .....	100
						2550 .....	100
						2555 .....	102
						2565 .....	102
						2705 .....	120
						2715 .....	120
						2716 .....	120
						2727 .....	103
						2746 .....	101
						2746x6 .....	97
						2746x6_FG .....	105
						2746x292_FGPK .....	115
						2748 .....	97
						2748 .....	127
						2748x270 .....	127
						2748x271 .....	127
						2749 .....	97
						2750 .....	97
						2755 .....	101
						19125 .....	123
						ADJ232V8 .....	119
						ADJ232V14 .....	119
						ADJ232x2325V8 .....	119
						EV232 .....	118
						EV2320 .....	118
						EV2322 .....	118
						EV2325 .....	118
						EV2326 .....	118

800-824-3018 | [www.pemko.com](http://www.pemko.com)

Check the web site for the up-to-date catalog

Copyright © 2015-2023, ASSA ABLOY Accessories and Door Controls Group, Inc., an ASSA ABLOY Group company. All rights reserved. Reproduction in whole or in part without the express written permission of ASSA ABLOY Accessories and Door Controls Group, Inc. is prohibited.

**PEMKO**  
**ASSA ABLOY**

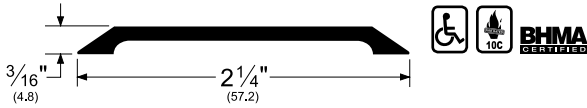
Experience a safer  
and more open world

## SADDLE THRESHOLDS

- To use a saddle threshold in an offset condition, use an elevator (see page 131)

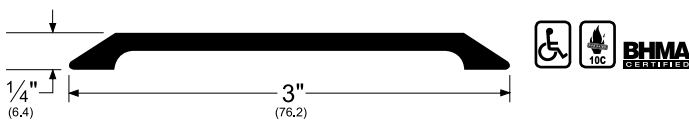
### 173\_

AVAILABLE FINISHES: **10BE, A, BSP, D, WSP**  
ANSI (aluminum): **J32300, J32330**



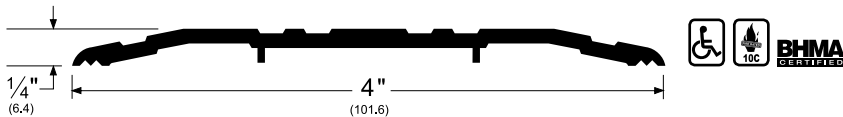
### 151\_

AVAILABLE FINISHES: **10BE, A, BSP, D, WSP**  
ANSI (aluminum): **J32300, J32330**



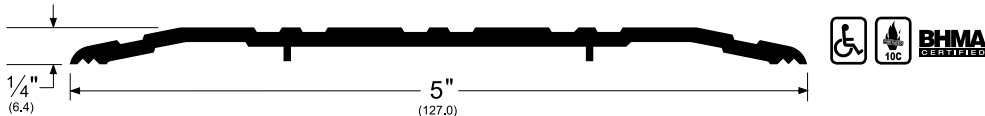
### 270\_

AVAILABLE FINISHES: **10BE, A, B, BSP, D, G, WSP**  
ANSI (aluminum): **J32100, J32130**  
ANSI (brass): **J12300, J12330**



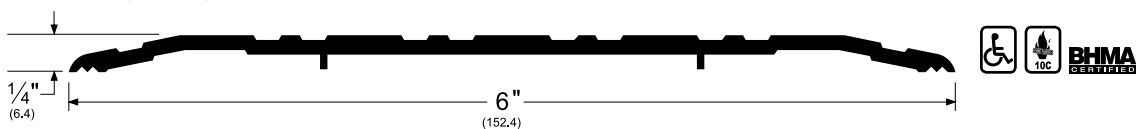
### 271\_

AVAILABLE FINISHES: **10BE, A, B, BSP, D, G, SN, WSP**  
ANSI (aluminum): **J32100, J32130**  
ANSI (brass): **J12100, J12130**



### 272\_

AVAILABLE FINISHES: **10BE, A, B, BSP, D, G, WSP**  
ANSI (aluminum): **J32100, J32130**  
ANSI (brass): **J12100, J12130**



NOTE: Products shown in this section may not be drawn to scale.

AVAILABLE FINISHES FOR PRODUCTS SHOWN ON THIS PAGE

**10BE** (Satin Bronze Powder Coated Aluminum) **A** (Mill Finish Aluminum) **B** (Mill Finish Extruded Bronze [Brass])  
**BSP** (Black Suede Powder Coated Aluminum) **D** (Dark Bronze Anodized) **G** (Gold Anodized)  
**SN** (Satin Nickel Anodized) **WSP** (White Suede Powder Coated Aluminum)

NOTE: **G, SN** are available with limited inventory

**PEMKO**  
**ASSA ABLOY**

Experience a safer  
and more open world

800-824-3018 | [www.pemko.com](http://www.pemko.com)  
Check the web site for the up-to-date catalog

Copyright © 2015-2023, ASSA ABLOY Accessories and Door Controls Group, Inc., an ASSA ABLOY Group company. All rights reserved.  
Reproduction in whole or in part without the express written permission of ASSA ABLOY Accessories and Door Controls Group, Inc. is prohibited.

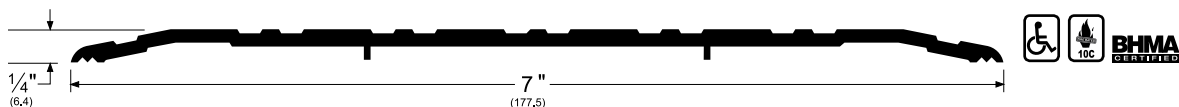


## SADDLE THRESHOLDS *(Cont.)*

### 276\_

AVAILABLE FINISHES: **10BE, A, BSP, D, WSP**

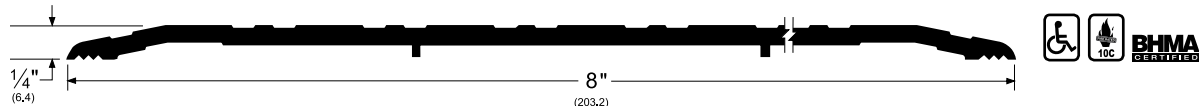
ANSI (aluminum): **J32100, J32130, J39100, J39130, J39135, J39150**



### 2748\_

AVAILABLE FINISHES: **10BE, A, BSP, D, WSP**

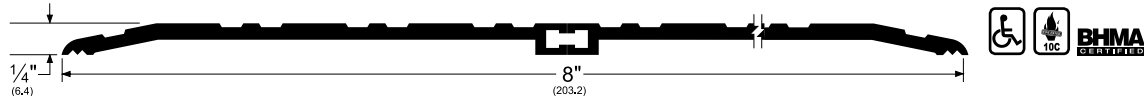
ANSI (aluminum): **J32100, J32130, J39100, J39130, J39135, J39150**



### 274x4\_

AVAILABLE FINISH: **B**

ANSI (brass): **J12100, J12130, J19100, J19130, J19135, J19150**

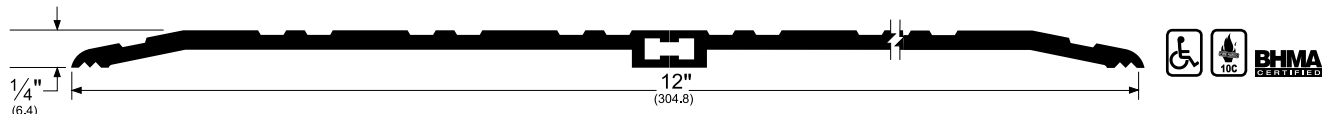


Welded on bottom.

### 2746x6\_

AVAILABLE FINISHES: **10BE, A, BSP, D, WSP**

ANSI (aluminum): **J32100, J32130**

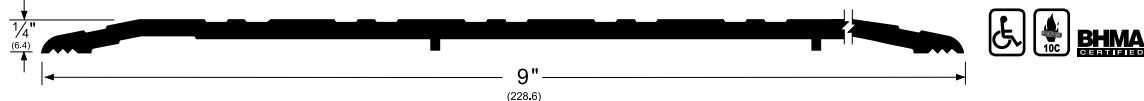


Welded on bottom.

### 2749\_

AVAILABLE FINISHES: **10BE, A, BSP, D, WSP**

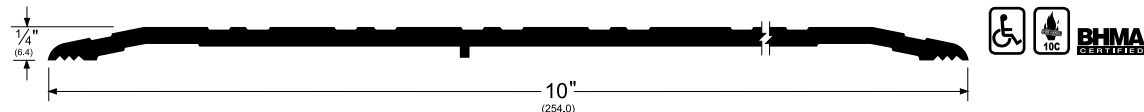
ANSI (aluminum): **J32100, J32130**



### 2750\_

AVAILABLE FINISHES: **10BE, A, BSP, D, WSP**

ANSI (aluminum): **J32100, J32130**



Includes two support legs (only one shown due to break in drawing)

NOTE: Products shown in this section may not be drawn to scale.

AVAILABLE FINISHES FOR PRODUCTS SHOWN ON THIS PAGE

**10BE** (Satin Bronze Powder Coated Aluminum) **A** (Mill Finish Aluminum) **B** (Mill Finish Extruded Bronze [Brass])  
**BSP** (Black Suede Powder Coated Aluminum) **D** (Dark Bronze Anodized) **WSP** (White Suede Powder Coated Aluminum)

800-824-3018 | [www.pemko.com](http://www.pemko.com)

Check the web site for the up-to-date catalog

Copyright © 2015-2023, ASSA ABLOY Accessories and Door Controls Group, Inc., an ASSA ABLOY Group company. All rights reserved.  
 Reproduction in whole or in part without the express written permission of ASSA ABLOY Accessories and Door Controls Group, Inc. is prohibited.

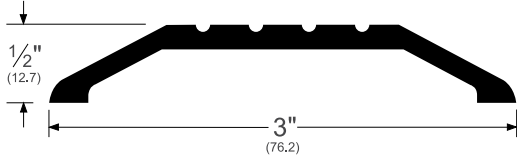
**PEMCO**  
**ASSA ABLOY**

Experience a safer  
 and more open world

# SADDLE THRESHOLDS *(Cont.)*

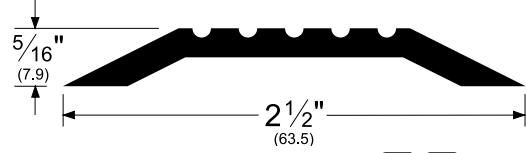
169\_

AVAILABLE FINISHES: **10BE, A, BSP, D, WSP**  
ANSI (aluminum): **J32100, J32130**



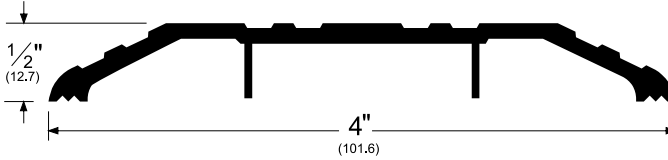
166\_

AVAILABLE FINISHES: **10BE, A, BSP, D, WSP**  
ANSI (aluminum): **J32100, J32130**



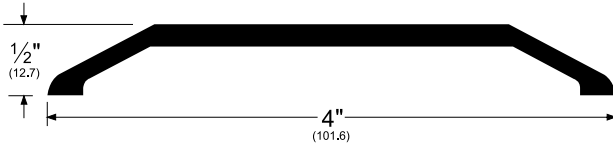
170\_

AVAILABLE FINISHES: **10BE, A, B, BDG, BSP, D, WSP**  
ANSI (aluminum): **J32100, J32130**  
ANSI (brass): **J12100, J12130**



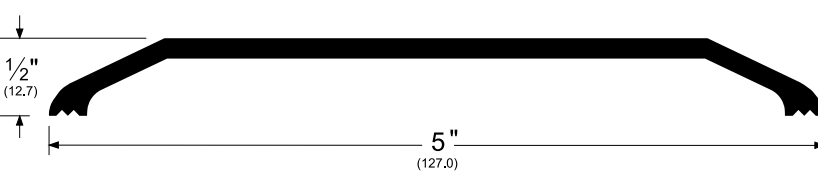
175\_

AVAILABLE FINISHES: **10BE, A, B, BSP, D, WSP**  
ANSI (aluminum): **J32300, J32330**  
ANSI (brass): **J12300, J12330**



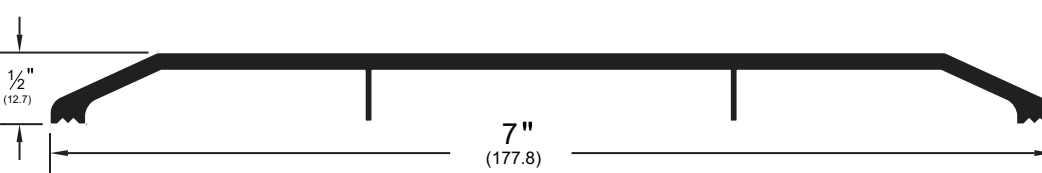
154\_

AVAILABLE FINISHES: **10BE, A, BSP, D, WSP**  
ANSI (aluminum): **J32300, J32330**



1547\_

AVAILABLE FINISHES: **10BE, A, BSP, D, WSP**  
ANSI (aluminum): **J32300, J32330**



NOTE: Products shown in this section may not be drawn to scale.

AVAILABLE FINISHES FOR PRODUCTS SHOWN ON THIS PAGE

**10BE** (Satin Bronze Powder Coated Aluminum) **A** (Mill Finish Aluminum) **B** (Mill Finish Extruded Bronze [Brass])  
**BDG** (Bright Dip Gold Anodized) **BSP** (Black Suede Powder Coated Aluminum) **D** (Dark Bronze Anodized)  
**WSP** (White Suede Powder Coated Aluminum)

**PEMKO**  
**ASSA ABLOY**

Experience a safer  
and more open world

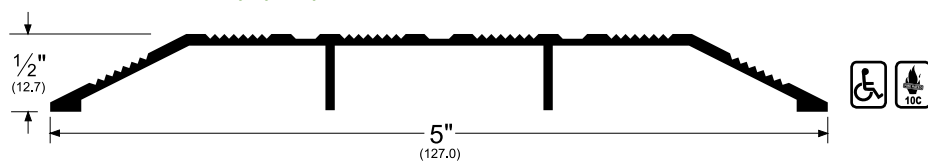
800-824-3018 | [www.pemko.com](http://www.pemko.com)  
Check the web site for the up-to-date catalog

Copyright © 2015-2023, ASSA ABLOY Accessories and Door Controls Group, Inc., an ASSA ABLOY Group company. All rights reserved.  
Reproduction in whole or in part without the express written permission of ASSA ABLOY Accessories and Door Controls Group, Inc. is prohibited.

## SADDLE THRESHOLDS *(Cont.)*

### 1710\_

AVAILABLE FINISH: **10BE, A, BSP, WSP**

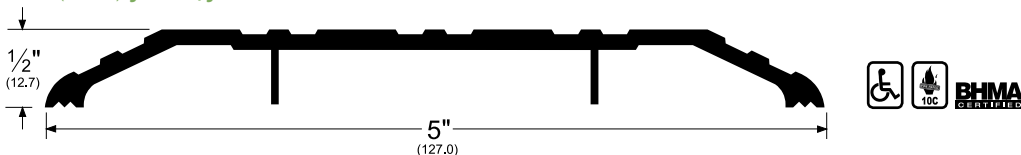


### 171\_

AVAILABLE FINISHES: **10BE, A, B, BDG, BSP, D, G, WSP**

ANSI (aluminum): **J32100, J32130**

ANSI (brass): **J12100, J12130**

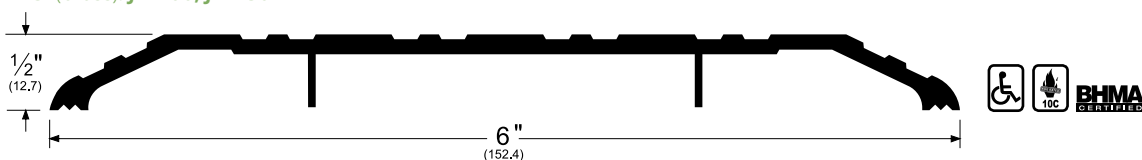


### 172\_

AVAILABLE FINISHES: **10BE, A, B, BSP, D, WSP**

ANSI (aluminum): **J32100, J32130**

ANSI (brass): **J12100, J12130**

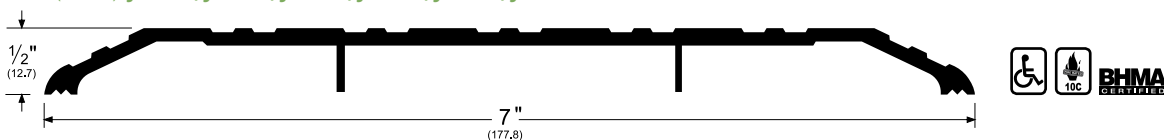


### 176\_

AVAILABLE FINISHES: **10BE, A, B, BSP, D, WSP**

ANSI (aluminum): **J32100, J32130, J39100, J39130, J39135, J39150**

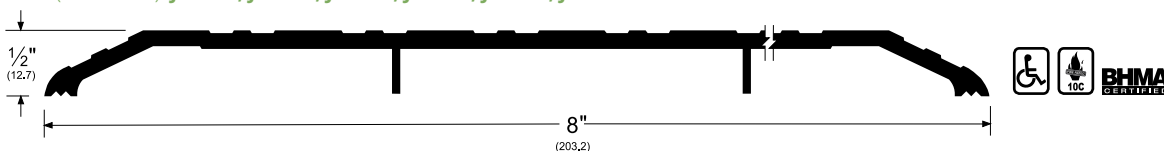
ANSI (brass): **J12100, J12130, J19100, J19130, J19135, J19150**



### 2548\_

AVAILABLE FINISHES: **10BE, A, BSP, D, WSP**

ANSI (aluminum): **J32100, J32130, J39100, J39130, J39135, J39150**



NOTE: Products shown in this section may not be drawn to scale.

AVAILABLE FINISHES FOR PRODUCTS SHOWN ON THIS PAGE

**10BE** (Satin Bronze Powder Coated Aluminum) **A** (Mill Finish Aluminum) **B** (Mill Finish Extruded Bronze [Brass])

**BSP** (Black Suede Powder Coated Aluminum) **D** (Dark Bronze Anodized) **G** (Gold Anodized)

**WSP** (White Suede Powder Coated Aluminum)

800-824-3018 | [www.pemko.com](http://www.pemko.com)

Check the web site for the up-to-date catalog

Copyright © 2015-2023, ASSA ABLOY Accessories and Door Controls Group, Inc., an ASSA ABLOY Group company. All rights reserved. Reproduction in whole or in part without the express written permission of ASSA ABLOY Accessories and Door Controls Group, Inc. is prohibited.

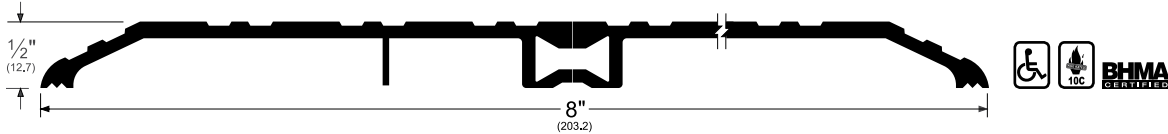
**PEMCO**  
**ASSA ABLOY**

Experience a safer  
and more open world

## SADDLE THRESHOLDS *(Cont.)*

### 254x4\_

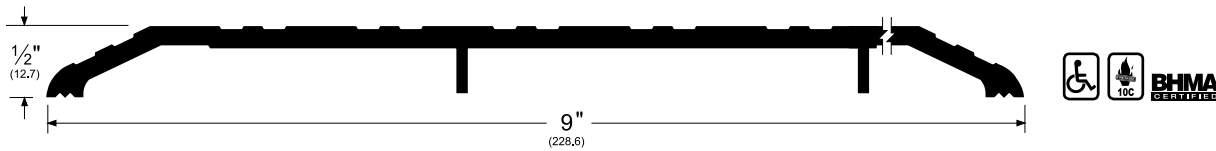
AVAILABLE FINISH: **B**  
 ANSI (brass): **J12100, J12130, J19100, J19130, J19135, J19150**



Welded on bottom. Includes two support legs (only one shown due to break in drawing)

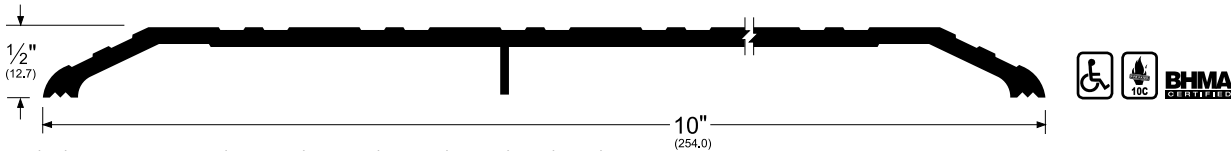
### 2549\_

AVAILABLE FINISHES: **10BE, A, BSP, D, WSP**  
 ANSI (aluminum): **J32100, J32130**



### 2550\_

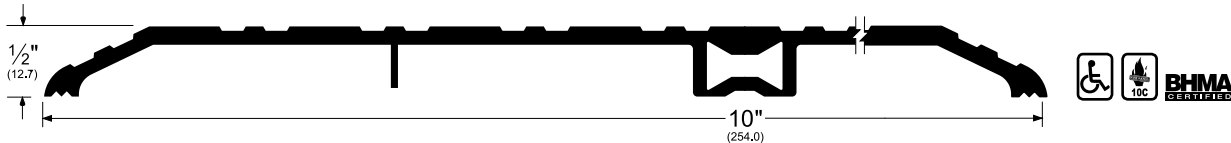
AVAILABLE FINISHES: **10BE, A, BSP, D, WSP**  
 ANSI (aluminum): **J32100, J32130**



Includes two support legs (only one shown due to break in drawing)

### 255x5\_

AVAILABLE FINISH: **B**  
 ANSI (brass): **J12100, J12130**



Welded on bottom. Includes two support legs (only one shown due to break in drawing)

### 256x6\_

AVAILABLE FINISHES: **10BE, A, BSP, D, WSP**  
 ANSI (aluminum): **J32100, J32130**



Welded on bottom. Includes two support legs (only one shown due to break in drawing)

NOTE: Products shown in this section may not be drawn to scale.

AVAILABLE FINISHES FOR PRODUCTS SHOWN ON THIS PAGE

**10BE** (Satin Bronze Powder Coated Aluminum) **A** (Mill Finish Aluminum) **B** (Mill Finish Extruded Bronze [Brass])  
**BSP** (Black Suede Powder Coated Aluminum) **D** (Dark Bronze Anodized)  
**WSP** (White Suede Powder Coated Aluminum)

**PEMKO**  
**ASSA ABLOY**

Experience a safer  
 and more open world

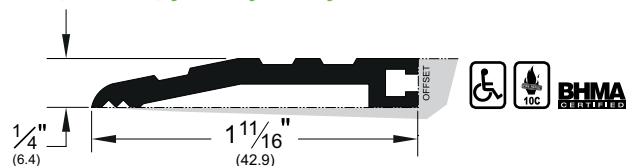
800-824-3018 | [www.pemko.com](http://www.pemko.com)  
 Check the web site for the up-to-date catalog

Copyright © 2015-2023, ASSA ABLOY Accessories and Door Controls Group, Inc., an ASSA ABLOY Group company. All rights reserved.  
 Reproduction in whole or in part without the express written permission of ASSA ABLOY Accessories and Door Controls Group, Inc. is prohibited.

# HALF SADDLE THRESHOLDS

## 278\_

AVAILABLE FINISHES: **10BE, A, BSP, D, WSP**  
 ANSI (aluminum): **J33100, J33130, J33133**



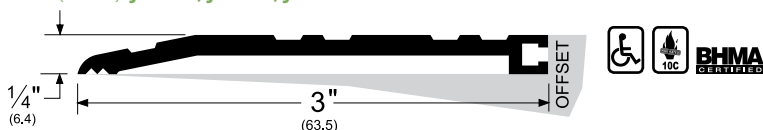
## 279\_

AVAILABLE FINISHES: **10BE, A, BSP, D, WSP**  
 ANSI (aluminum): **J33100, J33130, J33133**



## 273\_

AVAILABLE FINISHES: **10BE, A, B, BSP, D, WSP**  
 ANSI (aluminum): **J33100, J33130, J33133**  
 ANSI (brass): **J13100, J13130, J13133**



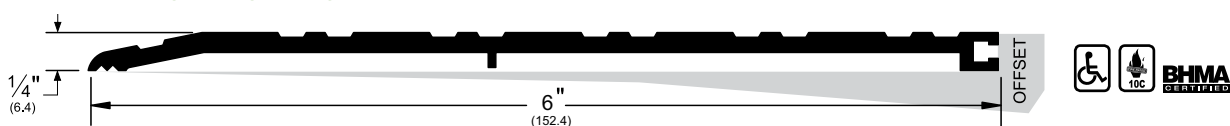
## 274\_

AVAILABLE FINISHES: **10BE, A, B, BSP, D, WSP**  
 ANSI (aluminum): **J33100, J33130, J33133**  
 ANSI (brass): **J13100, J13130, J13133**



## 2746\_

AVAILABLE FINISHES: **10BE, A, BSP, D, WSP**  
 ANSI (aluminum): **J33100, J33130, J33133**



## 2755\_

AVAILABLE FINISHES: **10BE, A, BSP, D, WSP**  
 Ratings: **ADA, 10c, BHMA**



NOTE: Products shown in this section may not be drawn to scale.

AVAILABLE FINISHES FOR PRODUCTS SHOWN ON THIS PAGE

**10BE** (Satin Bronze Powder Coated Aluminum) **A** (Mill Finish Aluminum) **B** (Mill Finish Extruded Bronze [Brass])  
**BSP** (Black Suede Powder Coated Aluminum) **D** (Dark Bronze Anodized) **WSP** (White Suede Powder Coated Aluminum)

800-824-3018 | [www.pemko.com](http://www.pemko.com)

Check the web site for the up-to-date catalog

Copyright © 2015-2023, ASSA ABLOY Accessories and Door Controls Group, Inc., an ASSA ABLOY Group company. All rights reserved.  
 Reproduction in whole or in part without the express written permission of ASSA ABLOY Accessories and Door Controls Group, Inc. is prohibited.

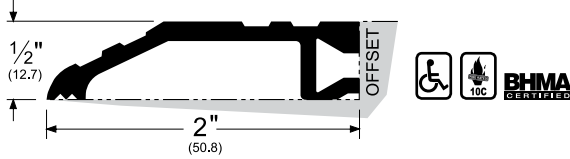
**PEMKO**  
**ASSA ABLOY**

Experience a safer  
 and more open world

# HALF SADDLE THRESHOLDS ((Cont.))

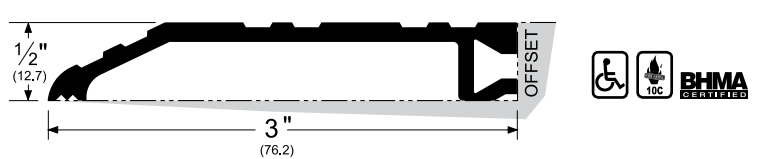
252\_

AVAILABLE FINISHES: **10BE, A, B, BSP, D, WSP**  
 ANSI (aluminum): **J33100, J33130**  
 ANSI (brass): **J13100, J13130**



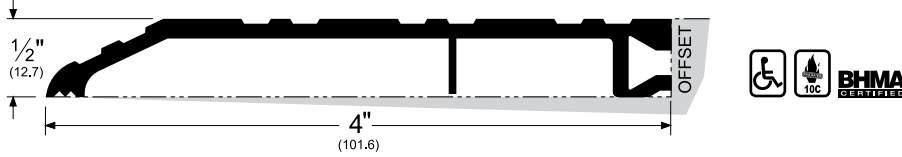
253\_

AVAILABLE FINISHES: **10BE, A, B, BSP, D, WSP**  
 ANSI (aluminum): **J33100, J33130**  
 ANSI (brass): **J13100, J13130**



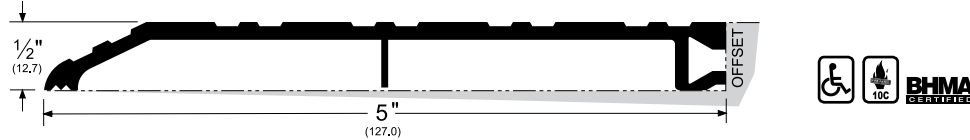
254\_

AVAILABLE FINISHES: **10BE, A, B, BSP, D, G, WSP**  
 ANSI (aluminum): **J33100, J33130**  
 ANSI (brass): **J13100, J13130**



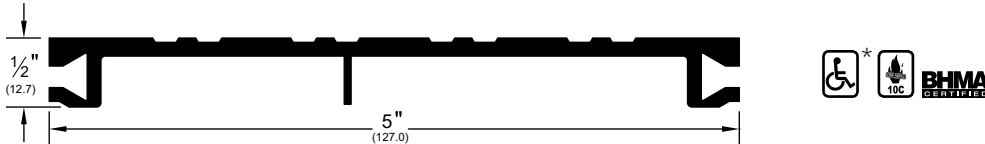
255\_

AVAILABLE FINISHES: **10BE, A, B, BSP, D, G, WSP**  
 ANSI (aluminum): **J33100, J33130**  
 ANSI (brass): **J13100, J13130**



2555\_

AVAILABLE FINISHES: **10BE, A, BSP, D, WSP**  
 ANSI (aluminum): **J33100**



\* 2555\_ can be combined with other half saddles on one or both sides. If combined only on one side, the opposite side should be mounted flush with an existing offset. Either stated application is required for this to be ADA-compliant.

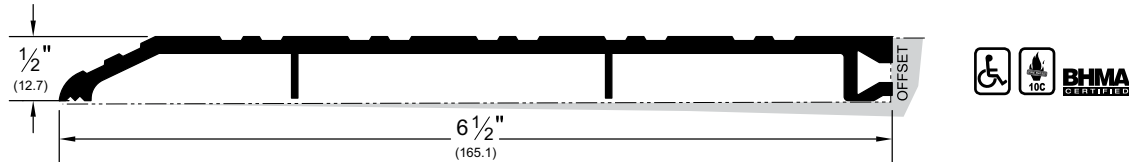
256\_

AVAILABLE FINISHES: **10BE, A, BSP, D, WSP**  
 ANSI (aluminum): **J33100, J33130**



2565\_

AVAILABLE FINISHES: **10BE, A, BSP, D, WSP**  
 ANSI (aluminum): **J33100, J33130**



NOTE: Products shown in this section may not be drawn to scale.

AVAILABLE FINISHES FOR PRODUCTS SHOWN ON THIS PAGE

**10BE** (Satin Bronze Powder Coated Aluminum) **A** (Mill Finish Aluminum) **B** (Mill Finish Extruded Bronze [Brass])  
**BSP** (Black Suede Powder Coated Aluminum) **D** (Dark Bronze Anodized) **G** (Gold Anodized)  
**WSP** (White Suede Powder Coated Aluminum)

NOTE: **G** is available with limited inventory



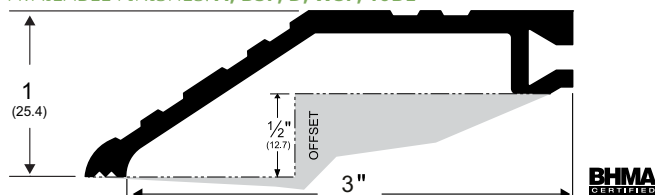
Experience a safer and more open world

800-824-3018 | www.pemko.com  
 Check the web site for the up-to-date catalog

## OFFSET HALF SADDLES

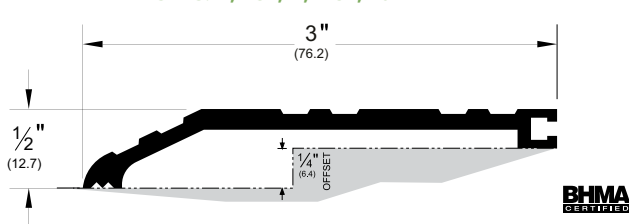
566\_

AVAILABLE FINISHES: **A, BSP, D, WSP, 10BE**



766\_

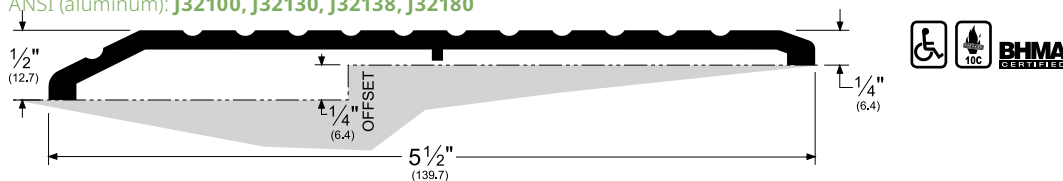
AVAILABLE FINISHES: **A, BSP, D, WSP, 10BE**



## OFFSET SADDLES

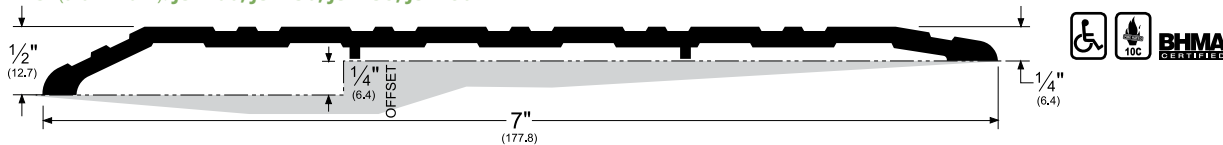
158\_

AVAILABLE FINISHES: **10BE, A, BSP, D, WSP**  
ANSI (aluminum): **J32100, J32130, J32138, J32180**



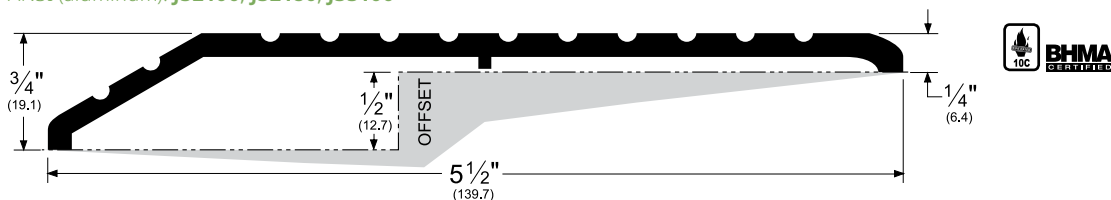
2727\_

AVAILABLE FINISHES: **10BE, A, BSP, D, WSP**  
ANSI (aluminum): **J32100, J32130, J32138, J32180**



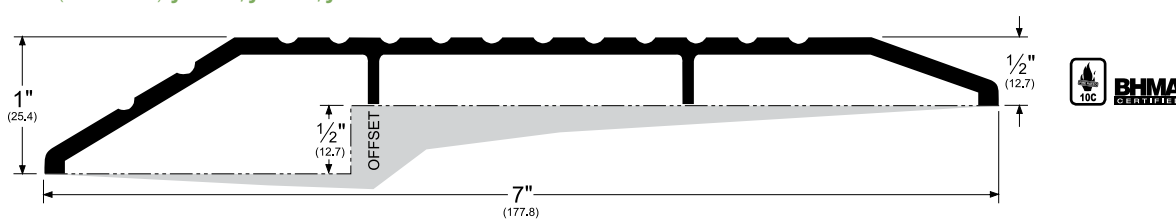
157\_

AVAILABLE FINISHES: **10BE, A, BSP, D, WSP**  
ANSI (aluminum): **J32100, J32180, J33100**



182\_

AVAILABLE FINISHES: **10BE, A, BSP, D, WSP**  
ANSI (aluminum): **J32100, J32180, J33100**



NOTE: Products shown in this section may not be drawn to scale.

AVAILABLE FINISHES FOR PRODUCTS SHOWN ON THIS PAGE

**10BE** (Satin Bronze Powder Coated Aluminum) **A** (Mill Finish Aluminum) **BSP** (Black Suede Powder Coated Aluminum)  
**D** (Dark Bronze Anodized) **WSP** (White Suede Powder Coated Aluminum)

800-824-3018 | [www.pemko.com](http://www.pemko.com)

Check the web site for the up-to-date catalog

Copyright © 2015-2023, ASSA ABLOY Accessories and Door Controls Group, Inc., an ASSA ABLOY Group company. All rights reserved.  
Reproduction in whole or in part without the express written permission of ASSA ABLOY Accessories and Door Controls Group, Inc. is prohibited.

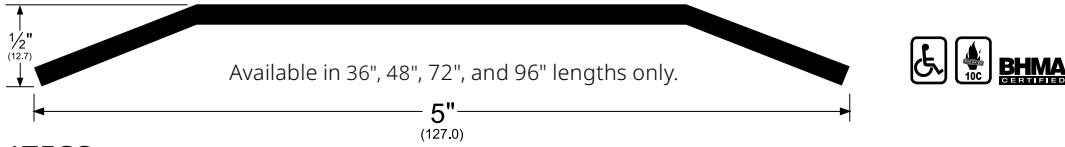
**PEMCO**  
**ASSA ABLOY**

Experience a safer  
and more open world

## STAINLESS STEEL SADDLES

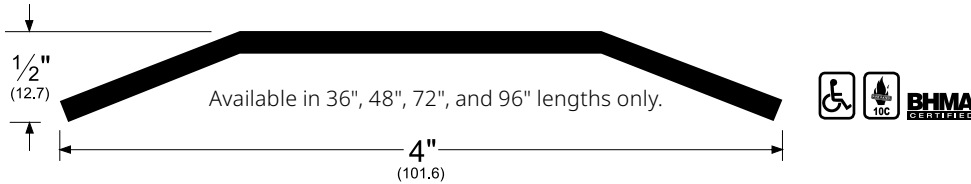
### 154SS\_

AVAILABLE FINISH: **SS (#4, Brushed Finish)**  
ANSI: **J52300, J52330**



### 175SS\_

AVAILABLE FINISH: **SS (#4, Brushed Finish)**  
ANSI: **J52300, J52330**

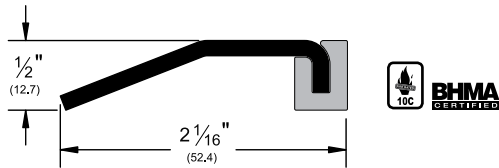


## STAINLESS STEEL HALF SADDLES

- Available in 36", 48", 72", and 96" lengths only.

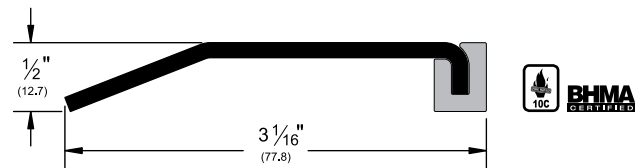
### 252SS\_

AVAILABLE FINISH: **SS (#4, Brushed Finish)**  
ANSI: **J52300, J52330**



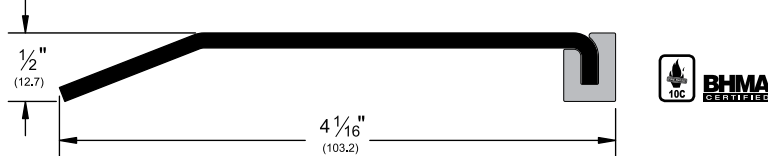
### 253SS\_

AVAILABLE FINISH: **SS (#4, Brushed Finish)**  
ANSI: **J52300, J52330**



### 254SS\_

AVAILABLE FINISH: **SS (#4, Brushed Finish)**  
ANSI: **J52300, J52330**

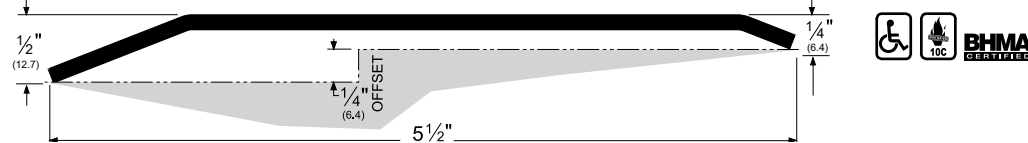


## STAINLESS STEEL OFFSET SADDLES

- Available in 36", 48", 72", and 96" lengths only.

### 158SS\_

AVAILABLE FINISH: **SS (#4, Brushed Finish)**  
ANSI: **J52300, J52380, J52388**



NOTE: Products shown in this section may not be drawn to scale.  
AVAILABLE FINISHES FOR PRODUCTS SHOWN ON THIS PAGE  
**SS** (See Individual Part)



Experience a safer  
and more open world

800-824-3018 | [www.pemko.com](http://www.pemko.com)  
Check the web site for the up-to-date catalog

Copyright © 2015-2023, ASSA ABLOY Accessories and Door Controls Group, Inc., an ASSA ABLOY Group company. All rights reserved.  
Reproduction in whole or in part without the express written permission of ASSA ABLOY Accessories and Door Controls Group, Inc. is prohibited.

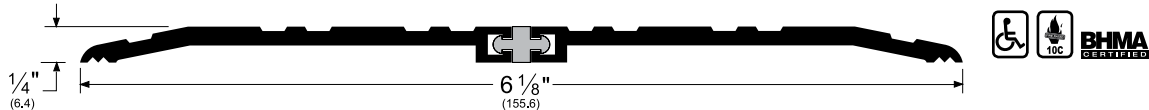


## THERMAL BREAK SADDLES

- Black rigid polypropylene key between extrusions provides a thermal break (designated by "FG" Frost Guard following finish code)

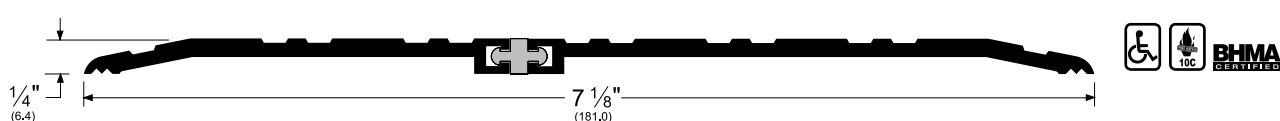
### 273x3\_FG

AVAILABLE FINISHES: **10BE, A, B, BSP, D, WSP**  
 ANSI (aluminum): **J32139, J32190, J32193**  
 ANSI (brass): **J12139, J12190, J12193**



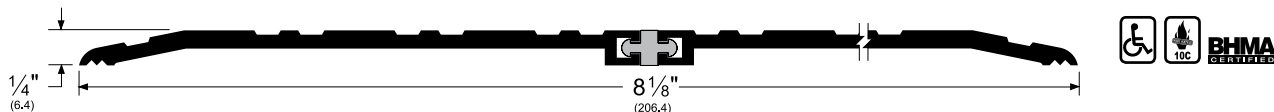
### 273x4\_FG

AVAILABLE FINISHES: **10BE, A, B, BSP, D, WSP**  
 ANSI (aluminum): **J32139, J32190, J32193**  
 ANSI (brass): **J12139, J12190, J12193**



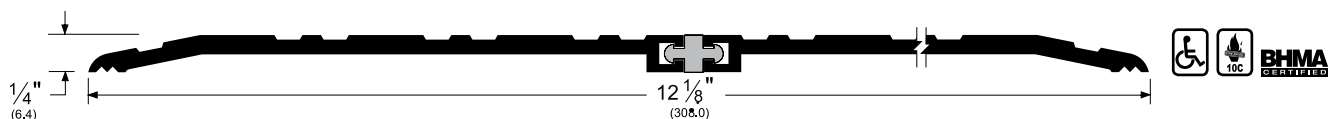
### 274x4\_FG

AVAILABLE FINISHES: **10BE, A, B, BSP, D, WSP**  
 ANSI (aluminum): **J32139, J32190, J32193**  
 ANSI (brass): **J12139, J12190, J12193**



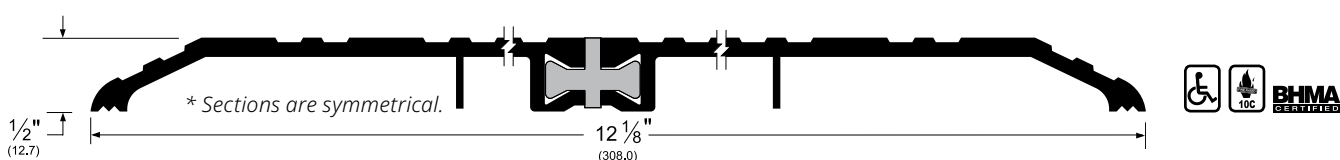
### 2746x6\_FG

AVAILABLE FINISHES: **10BE, A, BSP, D, WSP**  
 ANSI (aluminum): **J32139, J32190, J32193**



### 256x6\_FG

AVAILABLE FINISHES: **10BE, A, BSP, D, WSP**  
 ANSI (aluminum): **J32139, J32190, J32193**



NOTE: Products shown in this section may not be drawn to scale.

AVAILABLE FINISHES FOR PRODUCTS SHOWN ON THIS PAGE

**10BE** (Satin Bronze Powder Coated Aluminum) **A** (Mill Finish Aluminum) **B** (Mill Finish Extruded Bronze [Brass])  
**BSP** (Black Suede Powder Coated Aluminum) **D** (Dark Bronze Anodized) **WSP** (White Suede Powder Coated Aluminum)

800-824-3018 | [www.pemko.com](http://www.pemko.com)

Check the web site for the up-to-date catalog

Copyright © 2015-2023, ASSA ABLOY Accessories and Door Controls Group, Inc., an ASSA ABLOY Group company. All rights reserved.  
 Reproduction in whole or in part without the express written permission of ASSA ABLOY Accessories and Door Controls Group, Inc. is prohibited.

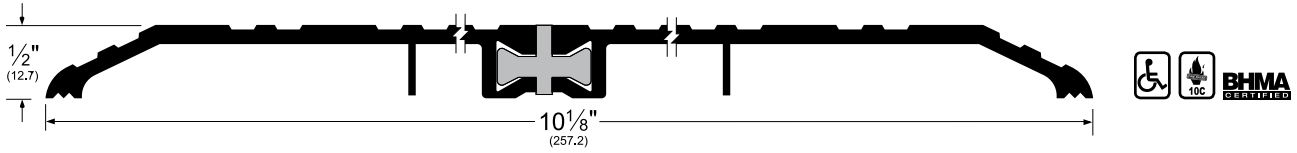
**PEMKO**  
**ASSA ABLOY**

Experience a safer  
 and more open world

# THERMAL BREAK SADDLES (Cont.)

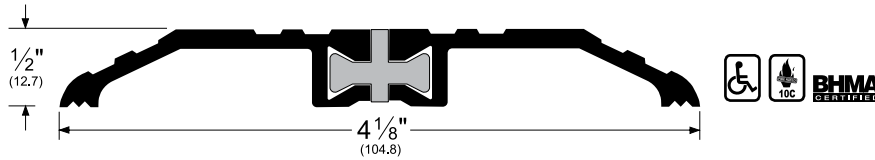
## 255x5\_FG

AVAILABLE FINISHES: **10BE, A, B, BSP, D, WSP**  
 ANSI (aluminum): **J32139, J32190, J32193**  
 ANSI (brass): **J12139, J12190, J12193**



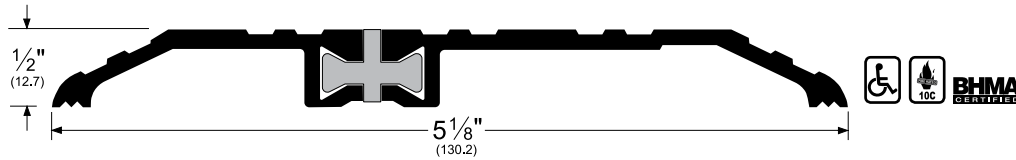
## 252x2\_FG

AVAILABLE FINISHES: **10BE, A, B, BSP, D, WSP**  
 ANSI (aluminum): **J32139, J32190, J32193**  
 ANSI (brass): **J12139, J12190, J12193**



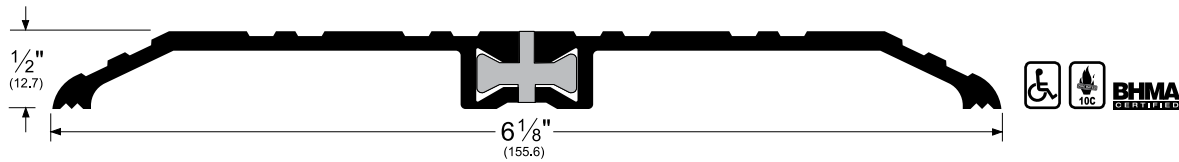
## 252x3\_FG

AVAILABLE FINISHES: **10BE, A, B, BSP, D, WSP**  
 ANSI (aluminum): **J32139, J32190, J32193**  
 ANSI (brass): **J12139, J12190, J12193**



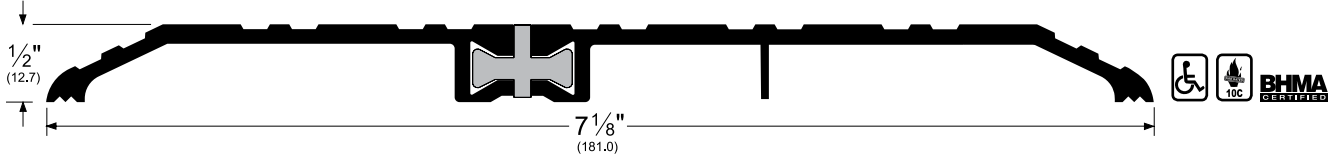
## 253x3\_FG

AVAILABLE FINISHES: **10BE, A, B, BSP, D, WSP**  
 ANSI (aluminum): **J32139, J32190, J32193**  
 ANSI (brass): **J12139, J12190, J12193**



## 253x4\_FG

AVAILABLE FINISHES: **10BE, A, B, BSP, D, WSP**  
 ANSI (aluminum): **J32139, J32190, J32193**  
 ANSI (brass): **J12139, J12190, J12193**



NOTE: Products shown in this section may not be drawn to scale.

AVAILABLE FINISHES FOR PRODUCTS SHOWN ON THIS PAGE

**10BE** (Satin Bronze Powder Coated Aluminum) **A** (Mill Finish Aluminum) **B** (Mill Finish Extruded Bronze [Brass])  
**BSP** (Black Suede Powder Coated Aluminum) **D** (Dark Bronze Anodized) **WSP** (White Suede Powder Coated Aluminum)

**PEMKO**  
**ASSA ABLOY**

Experience a safer  
 and more open world

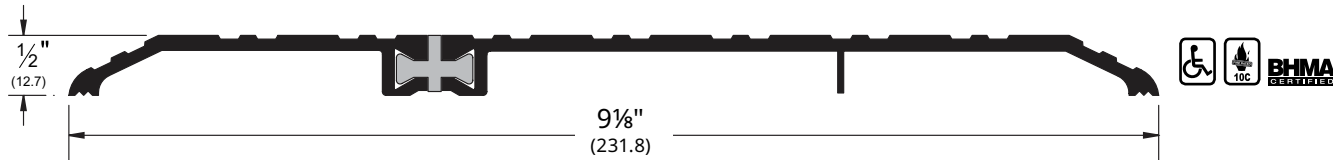
800-824-3018 | www.pemko.com  
 Check the web site for the up-to-date catalog

Copyright © 2015-2023, ASSA ABLOY Accessories and Door Controls Group, Inc., an ASSA ABLOY Group company. All rights reserved.  
 Reproduction in whole or in part without the express written permission of ASSA ABLOY Accessories and Door Controls Group, Inc. is prohibited.

## THERMAL BREAK SADDLES (Cont.)

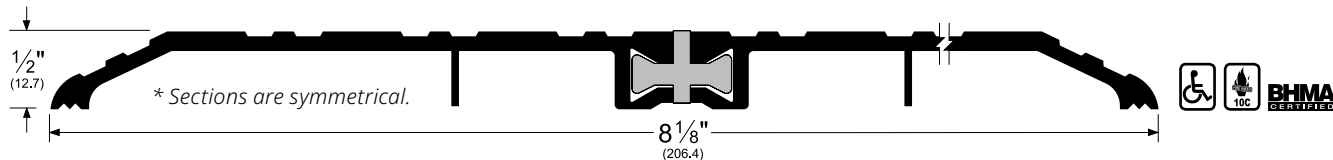
### 253x6\_FG

AVAILABLE FINISHES: **10BE, A, BSP, D, WSP**  
ANSI (aluminum): **J32139, J32190, J32193**



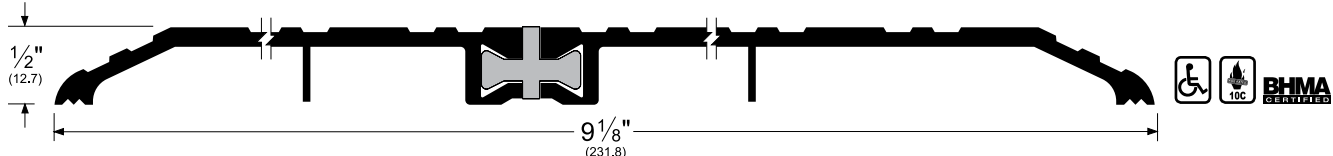
### 254x4\_FG

AVAILABLE FINISHES: **10BE, A, B, BSP, D, WSP**  
ANSI (aluminum): **J32139, J32190, J32193**  
ANSI (brass): **J12139, J12190, J12193**



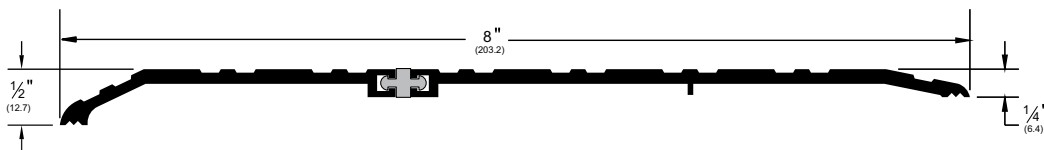
### 254x5\_FG

AVAILABLE FINISHES: **10BE, A, B, BSP, D, WSP**  
ANSI (aluminum): **J32139, J32190, J32193**  
ANSI (brass): **J12139, J12190, J12193**



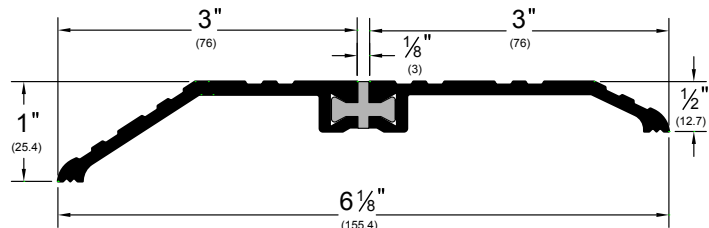
### 766x5\_FG

AVAILABLE FINISHES: **10BE, A, BSP, D, WSP**  
ANSI (aluminum): **J32139, J32190, J32193, J32189, J32180**  
ANSI (brass): **J12139, J12190, J12193, J12189, J12180**



### 566x3\_FG

AVAILABLE FINISHES: **10BE, A, BSP, D, WSP**  
ANSI (aluminum): **J32189, J32190, J32180**



NOTE: Products shown in this section may not be drawn to scale.

AVAILABLE FINISHES FOR PRODUCTS SHOWN ON THIS PAGE

**10BE** (Satin Bronze Powder Coated Aluminum) **A** (Mill Finish Aluminum) **B** (Mill Finish Extruded Bronze [Brass])  
**BSP** (Black Suede Powder Coated Aluminum) **D** (Dark Bronze Anodized) **WSP** (White Suede Powder Coated Aluminum)

800-824-3018 | [www.pemko.com](http://www.pemko.com)

Check the web site for the up-to-date catalog

Copyright © 2015-2023, ASSA ABLOY Accessories and Door Controls Group, Inc., an ASSA ABLOY Group company. All rights reserved.  
Reproduction in whole or in part without the express written permission of ASSA ABLOY Accessories and Door Controls Group, Inc. is prohibited.

**PEMKO**  
**ASSA ABLOY**

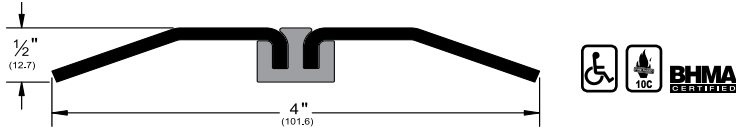
Experience a safer  
and more open world

# STAINLESS STEEL THERMAL BREAK THRESHOLD

- Black rigid polypropylene key between extrusions provides a thermal barrier (designated by "FG" Frost Guard following finish code)
- Available in 36", 48", 72", and 96" lengths only

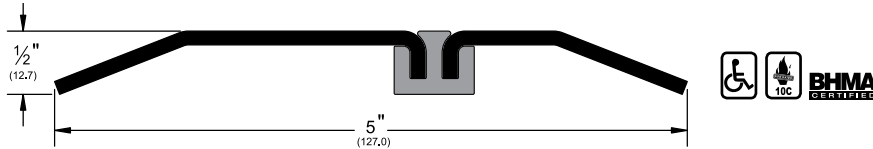
## 252x2SSFG

AVAILABLE FINISH: **SS (#4, Brushed Finish)**  
ANSI: **J52330, J52339, J52390, J52393**



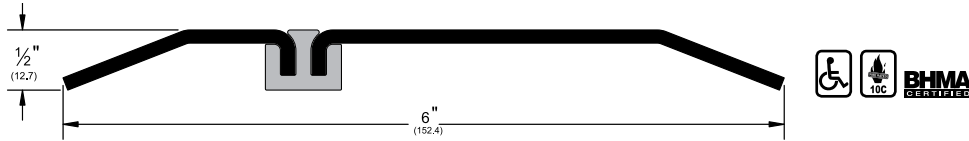
## 252x3SSFG

AVAILABLE FINISH: **SS (#4, Brushed Finish)**  
ANSI: **J52330, J52339, J52390, J52393**



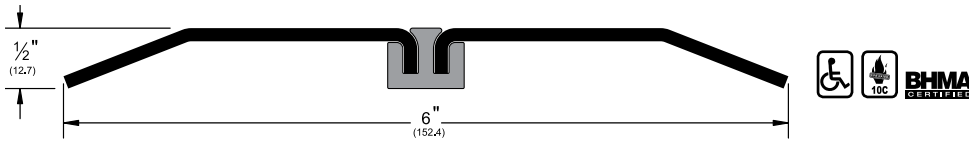
## 252x4SSFG

AVAILABLE FINISH: **SS (#4, Brushed Finish)**  
ANSI: **J52330, J52339, J52390, J52393**



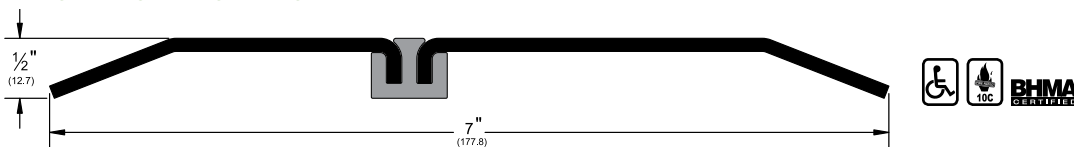
## 253x3SSFG

AVAILABLE FINISH: **SS (#4, Brushed Finish)**  
ANSI: **J52330, J52339, J52390, J52393**



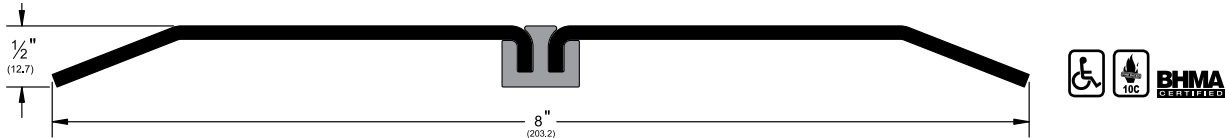
## 253x4SSFG

AVAILABLE FINISH: **SS (#4, Brushed Finish)**  
ANSI: **J52330, J52339, J52390, J52393**



## 254x4SSFG

AVAILABLE FINISH: **SS (#4, Brushed Finish)**  
ANSI: **J52330, J52339, J52390, J52393**



NOTE: Products shown in this section may not be drawn to scale.  
AVAILABLE FINISHES FOR PRODUCTS SHOWN ON THIS PAGE  
SS (See Individual Part)



Experience a safer  
and more open world

800-824-3018 | www.pemko.com  
Check the web site for the up-to-date catalog

Copyright © 2015-2023, ASSA ABLOY Accessories and Door Controls Group, Inc., an ASSA ABLOY Group company. All rights reserved.  
Reproduction in whole or in part without the express written permission of ASSA ABLOY Accessories and Door Controls Group, Inc. is prohibited.

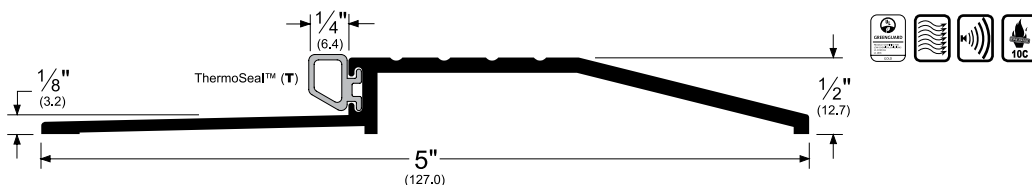
# LATCHING PANIC EXIT SADDLES

- Used in conjunction with surface applied vertical rod exit device, or as a stop and a seal at the bottom of door
- For offset applications, use an elevator (see page 131)
- **2006\_T** is only ADA compliant when installed butted to 1/4" tile or other floor material

## 2001\_T

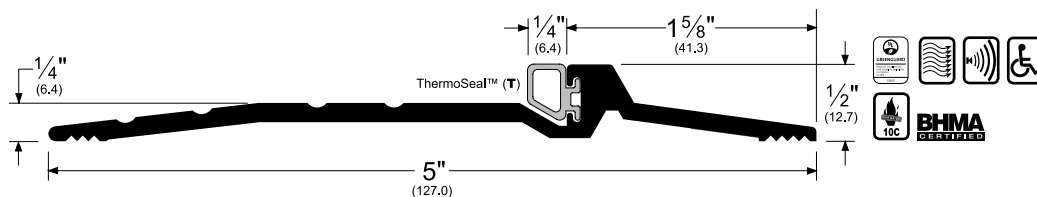
AVAILABLE FINISHES: **10BE, A, BSP, D, WSP**  
 REPLACEMENT INSERT: **T5 (BL)**

- Allow 1/4" door clearance
- Special purpose bumper threshold designed for use with a low 1/4" to 3/8" undercut door.



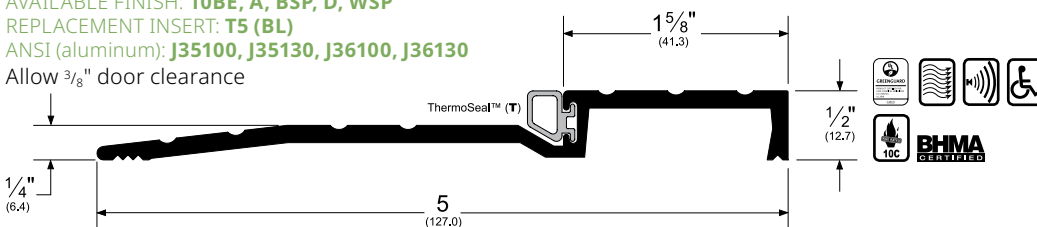
## 2005\_T

AVAILABLE FINISH: **10BE, A, B, BSP, D, WSP**  
 REPLACEMENT INSERT: **T5 (BL)**  
 ANSI (aluminum): **J35100, J35130, J36100, J36130**  
 ANSI (brass): **J15100, J15130, J16100, J16130**  
 Allow 3/8" door clearance



## 2006\_T

AVAILABLE FINISH: **10BE, A, BSP, D, WSP**  
 REPLACEMENT INSERT: **T5 (BL)**  
 ANSI (aluminum): **J35100, J35130, J36100, J36130**  
 Allow 3/8" door clearance



### Alternate Inserts



pile (P)

2001\_P  

2005\_P   

2006\_P   

REPLACEMENT INSERT:  
**P2 (BL, W)**



Eco-V™ (V)

2001\_V  

2005\_V   

2006\_V   

REPLACEMENT INSERT:  
**EV41 (BL, GR, W)**

NOTE: Products shown in this section may not be drawn to scale.

AVAILABLE FINISHES FOR PRODUCTS SHOWN ON THIS PAGE

**10BE** (Satin Bronze Powder Coated Aluminum) **A** (Mill Finish Aluminum) **B** (Mill Finish Extruded Bronze [Brass])

**BSP** (Black Suede Powder Coated Aluminum) **D** (Dark Bronze Anodized)

**WSP** (White Suede Powder Coated Aluminum)

800-824-3018 | www.pemko.com

Check the web site for the up-to-date catalog

Copyright © 2015-2023, ASSA ABLOY Accessories and Door Controls Group, Inc., an ASSA ABLOY Group company. All rights reserved.  
 Reproduction in whole or in part without the express written permission of ASSA ABLOY Accessories and Door Controls Group, Inc. is prohibited.

**PEMKO**  
**ASSA ABLOY**

Experience a safer  
 and more open world

# LATCHING PANIC EXIT SADDLES (Cont.)

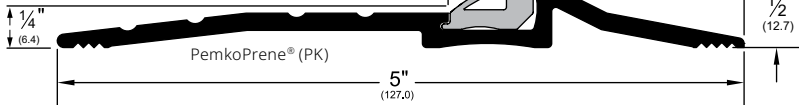
## 2009\_PK

AVAILABLE FINISHES: **10BE, A, BSP, D, WSP**

REPLACEMENT INSERT: **PK20 (BL)**

ANSI: **J36100, J36130**

Allow  $\frac{3}{8}$ " door clearance



U.S. Patent No. 9,920,567

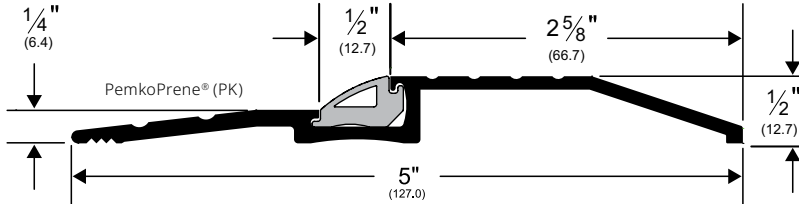
## 2010\_PK

AVAILABLE FINISHES: **10BE, A, BSP, D, WSP**

REPLACEMENT INSERT: **PK20 (BL)**

ANSI: **J36100, J36130**

Allow  $\frac{3}{8}$ " door clearance



### Alternate Inserts



pile (P)

179\_P

REPLACEMENT INSERT:  
**P2 (BL, W)**



Eco-V™ (V)

179\_V

REPLACEMENT INSERT:  
**EV41 (BL, GR, W)**

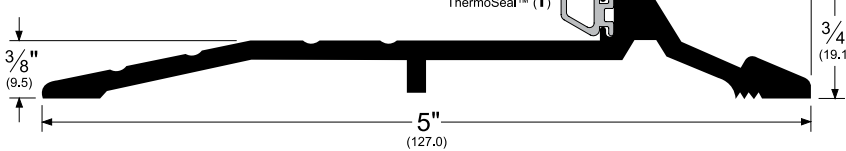
## 179\_T

AVAILABLE FINISHES: **10BE, A, BSP, D, WSP**

REPLACEMENT INSERT: **T5 (BL)**

ANSI (aluminum): **J35100, J36100**

Allow  $\frac{1}{2}$ " door clearance



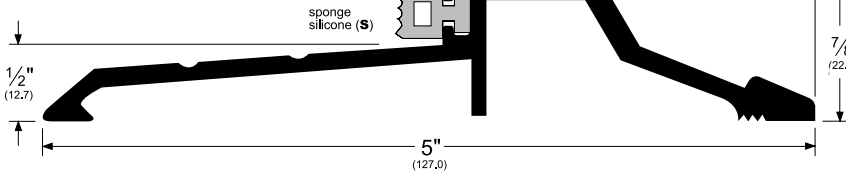
## 277\_S

AVAILABLE FINISHES: **10BE, A, BSP, D, WSP**

REPLACEMENT INSERT: **SR6 (BL)**

ANSI (aluminum): **J35100, J36100**

Allow  $\frac{5}{8}$ " door clearance



### Alternate Inserts



sponge EPDM (R)

277\_R

REPLACEMENT INSERT:  
**E7 (BL)**  
ANSI (aluminum):  
**J36100**

NOTE: Products shown in this section may not be drawn to scale.

AVAILABLE FINISHES FOR PRODUCTS SHOWN ON THIS PAGE

**10BE** (Satin Bronze Powder Coated Aluminum) **A** (Mill Finish Aluminum) **BSP** (Black Suede Powder Coated Aluminum) **D** (Dark Bronze Anodized) **WSP** (White Suede Powder Coated Aluminum)



Experience a safer  
and more open world

800-824-3018 | [www.pemko.com](http://www.pemko.com)  
Check the web site for the up-to-date catalog

Copyright © 2015-2023, ASSA ABLOY Accessories and Door Controls Group, Inc., an ASSA ABLOY Group company. All rights reserved. Reproduction in whole or in part without the express written permission of ASSA ABLOY Accessories and Door Controls Group, Inc. is prohibited.

# LATCHING PANIC EXIT SADDLES (Cont.)

## 159\_T

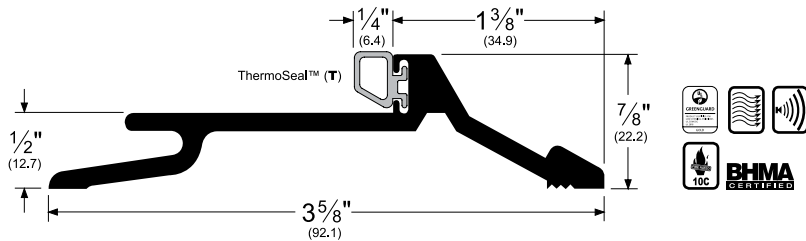
AVAILABLE FINISHES: **10BE, A, B, BSP, D, WSP**

REPLACEMENT INSERT: **T5 (BL)**

ANSI (aluminum): **J35300, J36300**

ANSI (brass): **J15300, J16300**

- Allow  $\frac{9}{16}$ " door clearance
- Provided with "J" hook.
- Can also be used as an interlock threshold (see Residential Thresholds section)



## 177\_T

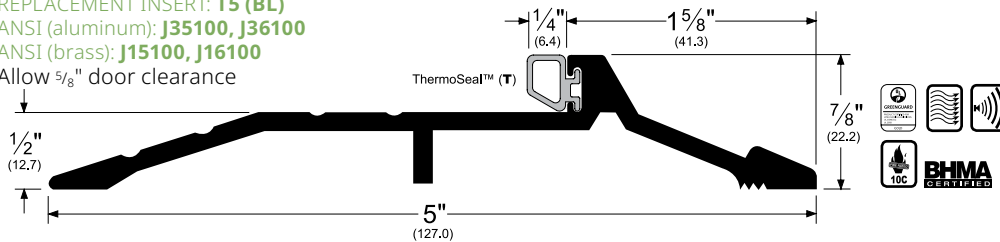
AVAILABLE FINISHES: **10BE, A, B, BSP, D, WSP**

REPLACEMENT INSERT: **T5 (BL)**

ANSI (aluminum): **J35100, J36100**

ANSI (brass): **J15100, J16100**

Allow  $\frac{5}{8}$ " door clearance



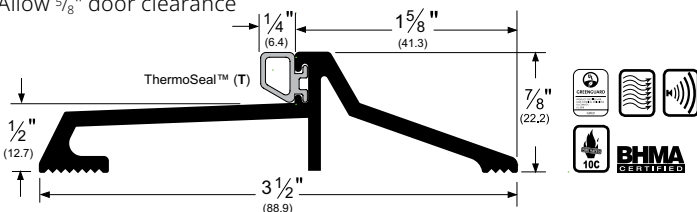
## 1855\_T

AVAILABLE FINISHES: **10BE, A, BSP, WSP**

REPLACEMENT INSERT: **T5 (BL)**

ANSI (aluminum): **J35100, J36100**

Allow  $\frac{5}{8}$ " door clearance



## 181\_T

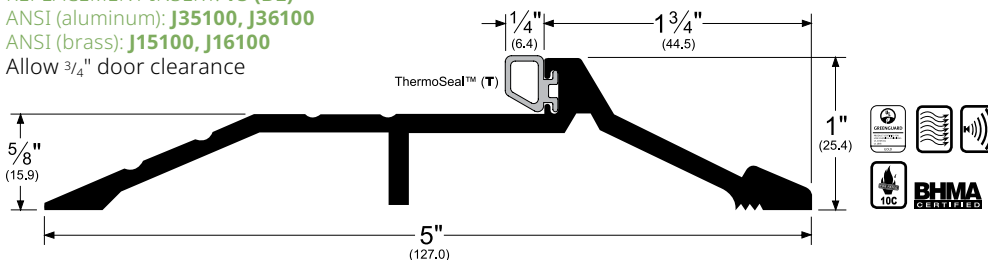
AVAILABLE FINISHES: **10BE, A, B, BSP, D, WSP**

REPLACEMENT INSERT: **T5 (BL)**

ANSI (aluminum): **J35100, J36100**

ANSI (brass): **J15100, J16100**

Allow  $\frac{3}{4}$ " door clearance



NOTE: Products shown in this section may not be drawn to scale.

AVAILABLE FINISHES FOR PRODUCTS SHOWN ON THIS PAGE

**10BE** (Satin Bronze Powder Coated Aluminum) **A** (Mill Finish Aluminum) **B** (Mill Finish Extruded Bronze [Brass])  
**BSP** (Black Suede Powder Coated Aluminum) **D** (Dark Bronze Anodized) **WSP** (White Suede Powder Coated Aluminum)

800-824-3018 | www.pemko.com

Check the web site for the up-to-date catalog

Copyright © 2015-2023, ASSA ABLOY Accessories and Door Controls Group, Inc., an ASSA ABLOY Group company. All rights reserved. Reproduction in whole or in part without the express written permission of ASSA ABLOY Accessories and Door Controls Group, Inc. is prohibited.

### Alternate Inserts



pile (P)

- 159\_P
- 177\_P
- 1855\_P
- 181\_P

REPLACEMENT INSERT:  
**P2 (BL, W)**



Eco-V™ (V)

- 159\_V
- 177\_V
- 1855\_V
- 181\_V

REPLACEMENT INSERT:  
**EV41 (BL, GR, W)**

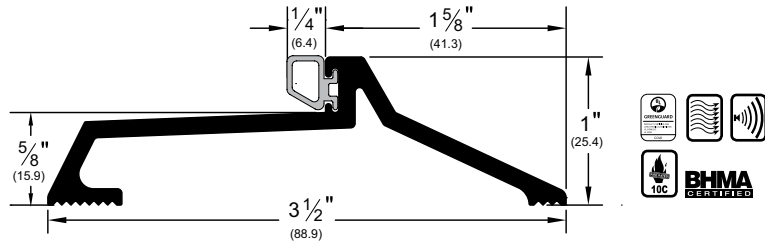
**PEMCO**  
**ASSA ABLOY**

Experience a safer  
and more open world

# LATCHING PANIC EXIT SADDLES (Cont.)

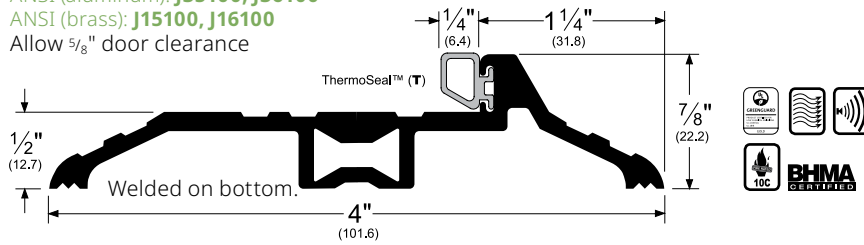
## 185\_T

AVAILABLE FINISHES: **10BE, A, BSP, WSP**  
 REPLACEMENT INSERT: **T5 (BL)**  
 ANSI (aluminum): **J35300, J36300**  
 Allow 3/4" door clearance



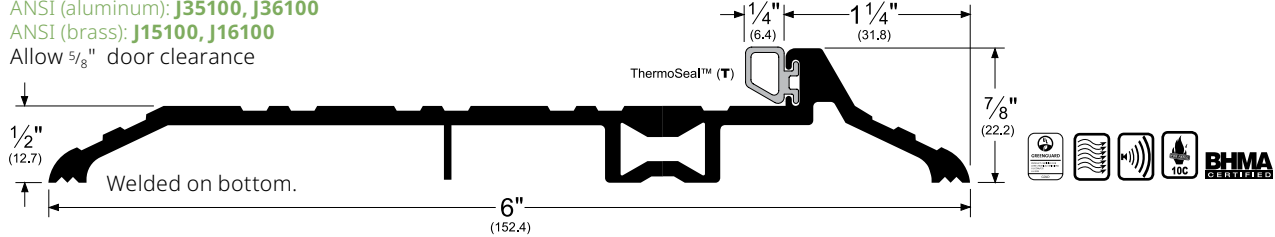
## 252x226\_T

AVAILABLE FINISHES: **10BE, A, B, BSP, D, WSP**  
 REPLACEMENT INSERT: **T5 (BL)**  
 ANSI (aluminum): **J35100, J36100**  
 ANSI (brass): **J15100, J16100**  
 Allow 5/8" door clearance



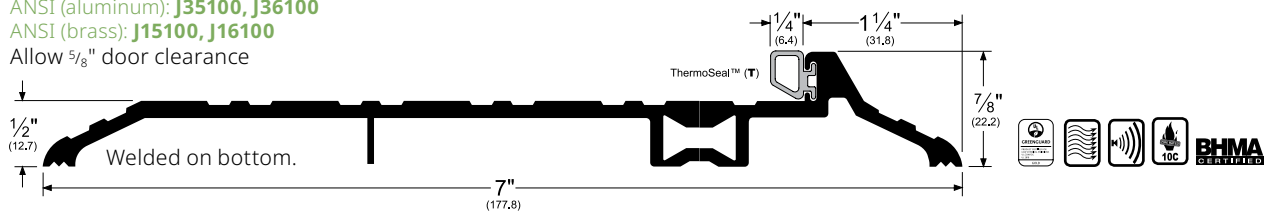
## 254x226\_T

AVAILABLE FINISHES: **10BE, A, B, BSP, D, WSP**  
 REPLACEMENT INSERT: **T5 (BL)**  
 ANSI (aluminum): **J35100, J36100**  
 ANSI (brass): **J15100, J16100**  
 Allow 5/8" door clearance



## 255x226\_T

AVAILABLE FINISHES: **10BE, A, B, BSP, D, WSP**  
 REPLACEMENT INSERT: **T5 (BL)**  
 ANSI (aluminum): **J35100, J36100**  
 ANSI (brass): **J15100, J16100**  
 Allow 5/8" door clearance



### Alternate Inserts



- 185\_P
  - 252x226\_P
  - 254x226\_P
  - 255x226\_P
- REPLACEMENT INSERT:  
**P2 (BL, W)**



- 185\_V
  - 252x226\_V
  - 254x226\_V
  - 255x226\_V
- REPLACEMENT INSERT:  
**EV41 (BL, GR, W)**

NOTE: Products shown in this section may not be drawn to scale.

**AVAILABLE FINISHES FOR PRODUCTS SHOWN ON THIS PAGE**

**10BE** (Satin Bronze Powder Coated Aluminum) **A** (Mill Finish Aluminum) **B** (Mill Finish Extruded Bronze [Brass])  
**BSP** (Black Suede Powder Coated Aluminum) **D** (Dark Bronze Anodized) **WSP** (White Suede Powder Coated Aluminum)



Experience a safer  
 and more open world

800-824-3018 | [www.pemko.com](http://www.pemko.com)  
 Check the web site for the up-to-date catalog

Copyright © 2015-2023, ASSA ABLOY Accessories and Door Controls Group, Inc., an ASSA ABLOY Group company. All rights reserved.  
 Reproduction in whole or in part without the express written permission of ASSA ABLOY Accessories and Door Controls Group, Inc. is prohibited.



# LATCHING PANIC EXIT SADDLES - THERMAL BREAK

- Black rigid polypropylene key between extrusions provides thermal break (designated by "FG" Frost Guard following finish code)
- Used in conjunction with surface applied vertical rod exit device, or as a stop and a seal at the bottom of door
- These units are not welded

## 252x226\_FGT

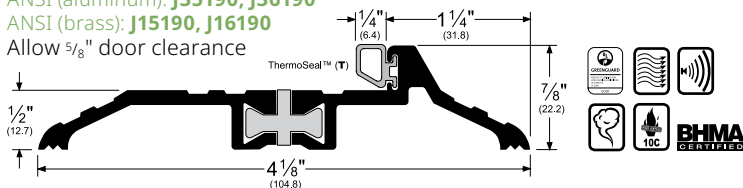
AVAILABLE FINISHES: **10BE, A, B, BSP, D, WSP**

REPLACEMENT INSERT: **T5 (BL)**

ANSI (aluminum): **J35190, J36190**

ANSI (brass): **J15190, J16190**

Allow  $\frac{5}{8}$ " door clearance



## 253x226\_FGT

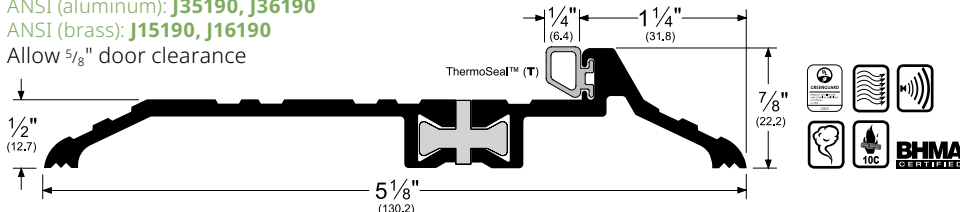
AVAILABLE FINISHES: **10BE, A, B, BSP, D, WSP**

REPLACEMENT INSERT: **T5 (BL)**

ANSI (aluminum): **J35190, J36190**

ANSI (brass): **J15190, J16190**

Allow  $\frac{5}{8}$ " door clearance



## 254x226\_FGT

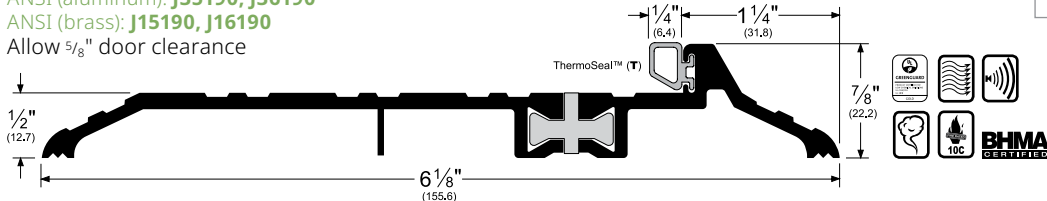
AVAILABLE FINISHES: **10BE, A, B, BSP, D, WSP**

REPLACEMENT INSERT: **T5 (BL)**

ANSI (aluminum): **J35190, J36190**

ANSI (brass): **J15190, J16190**

Allow  $\frac{5}{8}$ " door clearance



## 255x226\_FGT

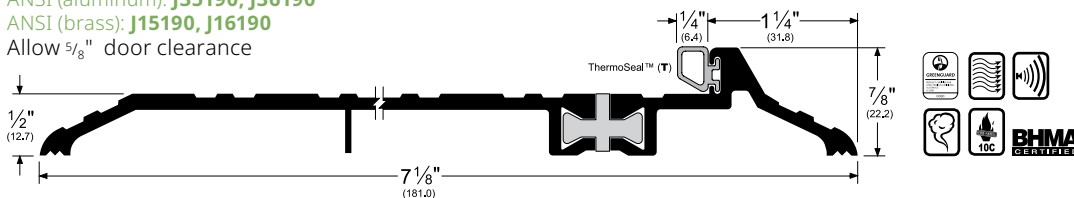
AVAILABLE FINISHES: **10BE, A, B, BSP, D, WSP**

REPLACEMENT INSERT: **T5 (BL)**

ANSI (aluminum): **J35190, J36190**

ANSI (brass): **J15190, J16190**

Allow  $\frac{5}{8}$ " door clearance



### Alternate Inserts



pile (P)

- 252x226\_FGP
- 253x226\_FGP
- 254x226\_FGP
- 255x226\_FGP
- 273x224\_FGP

REPLACEMENT INSERT:  
**P2 (BL, W)**



Eco-V™ (V)

- 252x226\_FGV
- 253x226\_FGV
- 254x226\_FGV
- 255x226\_FGV
- 273x224\_FGV

REPLACEMENT INSERT:  
**EV41 (BL, GR, W)**

NOTE: Products shown in this section may not be drawn to scale.

AVAILABLE FINISHES FOR PRODUCTS SHOWN ON THIS PAGE

**10BE** (Satin Bronze Powder Coated Aluminum) **A** (Mill Finish Aluminum) **B** (Mill Finish Extruded Bronze [Brass])

**BSP** (Black Suede Powder Coated Aluminum) **D** (Dark Bronze Anodized) **WSP** (White Suede Powder Coated Aluminum)

800-824-3018 | [www.pemko.com](http://www.pemko.com)

Check the web site for the up-to-date catalog

Copyright © 2015-2023, ASSA ABLOY Accessories and Door Controls Group, Inc., an ASSA ABLOY Group company. All rights reserved. Reproduction in whole or in part without the express written permission of ASSA ABLOY Accessories and Door Controls Group, Inc. is prohibited.

**PEMKO**  
**ASSA ABLOY**

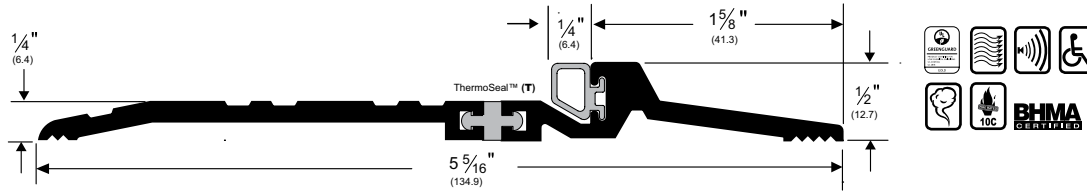
Experience a safer  
and more open world

# LATCHING PANIC EXIT SADDLES - THERMAL BREAK (Cont.)

- Allow 3/8" door clearance

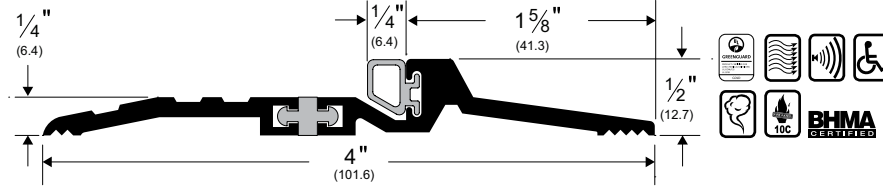
## 273x224\_FGT

AVAILABLE FINISHES: **10BE, A, BSP, D, WSP**  
 REPLACEMENT INSERT: **T5 (BL)**  
 ANSI (aluminum): **J36130, J36139, J36190, J36193**



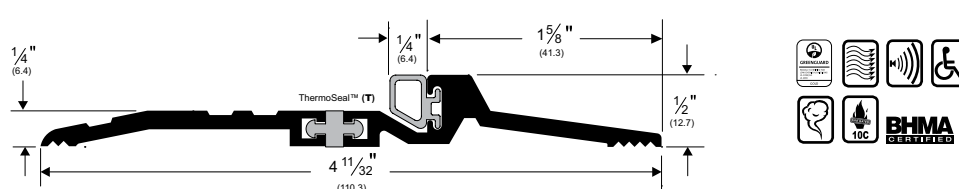
## 278x224\_FGT

AVAILABLE FINISHES: **10BE, A, BSP, D, WSP**  
 REPLACEMENT INSERT: **T5 (BL)**  
 ANSI (aluminum): **J36130, J36139, J36190, J36193**



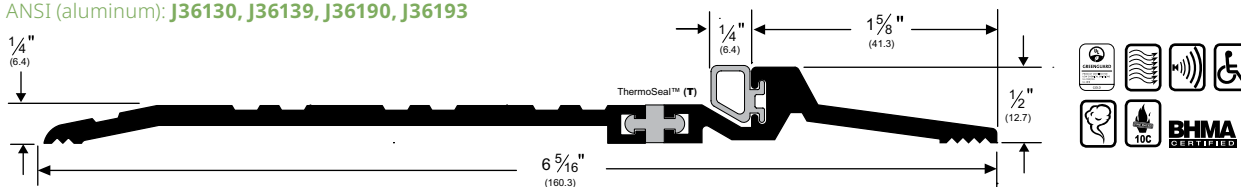
## 279x224\_FGT

AVAILABLE FINISHES: **10BE, A, BSP, D, WSP**  
 REPLACEMENT INSERT: **T5 (BL)**  
 ANSI (aluminum): **J36130, J36139, J36190, J36193**



## 274x224\_FGT

AVAILABLE FINISHES: **10BE, A, BSP, D, WSP**  
 REPLACEMENT INSERT: **T5 (BL)**  
 ANSI (aluminum): **J36130, J36139, J36190, J36193**



**Alternate Inserts**

pile (P)

273x224\_FGP

274x224\_FGP

278x224\_FGP

279x224\_FGP

REPLACEMENT INSERT: **P2 (BL, W)**

---

Eco-V™ (V)

273x224\_FGV

274x224\_FGV

278x224\_FGV

279x224\_FGV

REPLACEMENT INSERT: **EV41 (BL, GR, W)**

NOTE: Products shown in this section may not be drawn to scale.

AVAILABLE FINISHES FOR PRODUCTS SHOWN ON THIS PAGE  
**10BE** (Satin Bronze Powder Coated Aluminum) **A** (Mill Finish Aluminum) **BSP** (Black Suede Powder Coated Aluminum)  
**D** (Dark Bronze Anodized) **WSP** (White Suede Powder Coated Aluminum)



Experience a safer and more open world

800-824-3018 | www.pemko.com  
 Check the web site for the up-to-date catalog

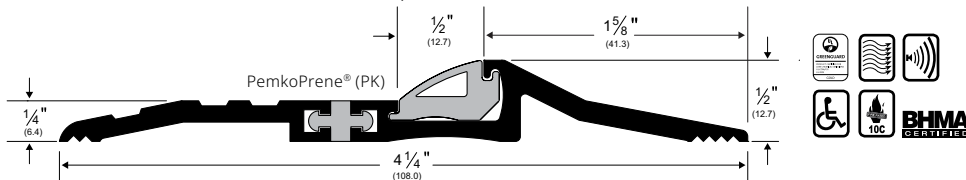
Copyright © 2015-2023, ASSA ABLOY Accessories and Door Controls Group, Inc., an ASSA ABLOY Group company. All rights reserved. Reproduction in whole or in part without the express written permission of ASSA ABLOY Accessories and Door Controls Group, Inc. is prohibited.

# LATCHING PANIC EXIT SADDLES - THERMAL BREAK (Cont.)

- Allow 3/8" door clearance

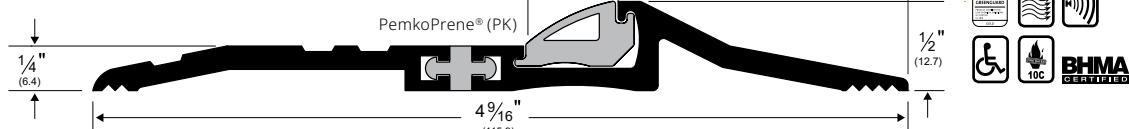
## 278x292\_FGPK

AVAILABLE FINISHES: **10BE, A, BSP, D, WSP**  
 REPLACEMENT INSERT: **PK20 (BL)**  
 ANSI (aluminum): **J35190, J35193, J36190, J36193**



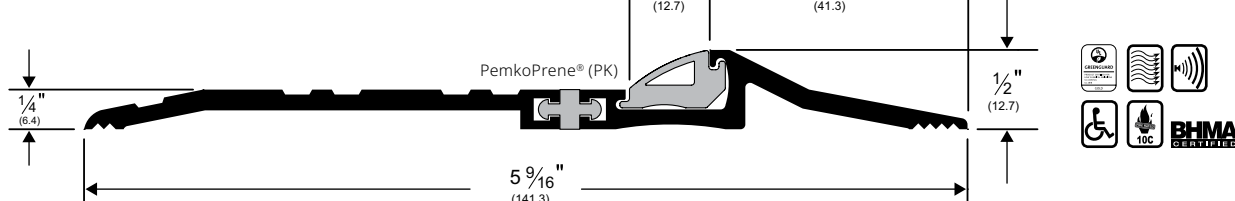
## 279x292\_FGPK

AVAILABLE FINISHES: **10BE, A, BSP, D, WSP**  
 REPLACEMENT INSERT: **PK20 (BL)**  
 ANSI (aluminum): **J35190, J35193, J36190, J36193**



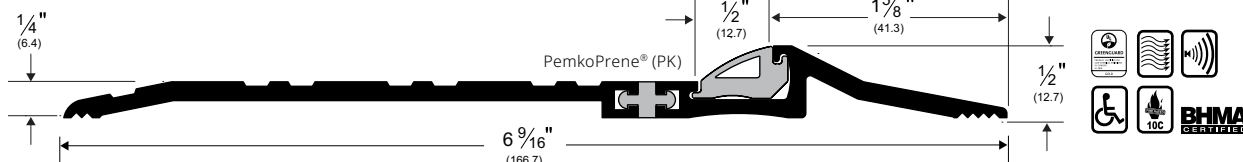
## 273x292\_FGPK

AVAILABLE FINISHES: **10BE, A, BSP, D, WSP**  
 REPLACEMENT INSERT: **PK20 (BL)**  
 ANSI (aluminum): **J35190, J35193, J36190, J36193**



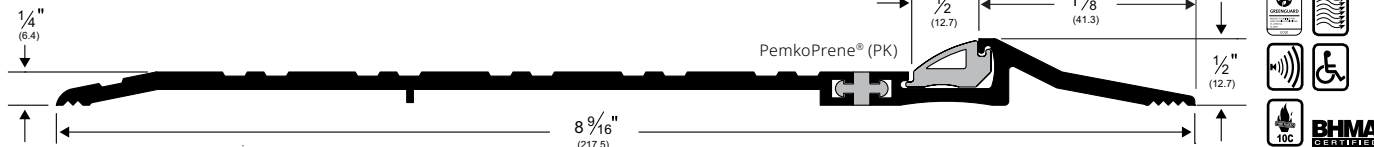
## 274x292\_FGPK

AVAILABLE FINISHES: **10BE, A, BSP, D, WSP**  
 REPLACEMENT INSERT: **PK20 (BL)**  
 ANSI (aluminum): **J35190, J35193, J36190, J36193**



## 2746x292\_FGPK

AVAILABLE FINISHES: **10BE, A, BSP, D, WSP**  
 REPLACEMENT INSERT: **PK20 (BL)**  
 ANSI (aluminum): **J35190, J35193, J36190, J36193**



NOTE: Products shown in this section may not be drawn to scale.

AVAILABLE FINISHES FOR PRODUCTS SHOWN ON THIS PAGE

**10BE** (Satin Bronze Powder Coated Aluminum) **A** (Mill Finish Aluminum) **BSP** (Black Suede Powder Coated Aluminum)  
**D** (Dark Bronze Anodized) **WSP** (White Suede Powder Coated Aluminum)

800-824-3018 | www.pemko.com

Check the web site for the up-to-date catalog

Copyright © 2015-2023, ASSA ABLOY Accessories and Door Controls Group, Inc., an ASSA ABLOY Group company. All rights reserved.  
 Reproduction in whole or in part without the express written permission of ASSA ABLOY Accessories and Door Controls Group, Inc. is prohibited.

**PEMKO**  
**ASSA ABLOY**

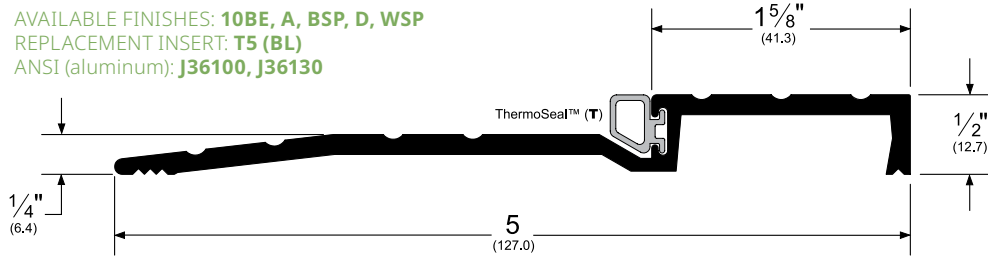
Experience a safer  
 and more open world

## ACOUSTIC THRESHOLDS

- Pemko's line of Acoustic Thresholds are designed to aid with a door's STC rating
- **2006STC** is only ADA compliant when installed butted to other flooring materials in accordance with ADA guidelines
- Thresholds will not improve a door's "sealed in-place" STC rating
- See the Acoustic Catalog Section or visit Pemko's website, [www.pemko.com](http://www.pemko.com), for more Acoustic products and additional information

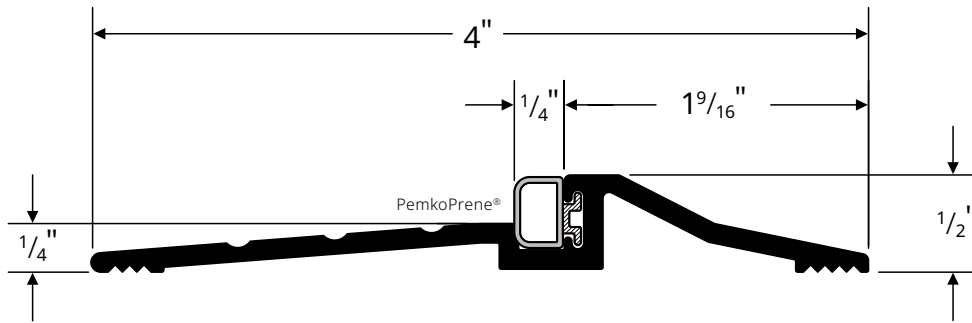
### 2006STC\_

AVAILABLE FINISHES: **10BE, A, BSP, D, WSP**  
 REPLACEMENT INSERT: **T5 (BL)**  
 ANSI (aluminum): **J36100, J36130**



### 2008\_PK

AVAILABLE FINISHES: **10BE, A, BSP, D, WSP**  
 REPLACEMENT INSERT: **PK381 (BL)**  
 ANSI (aluminum): **J36100, J36130**

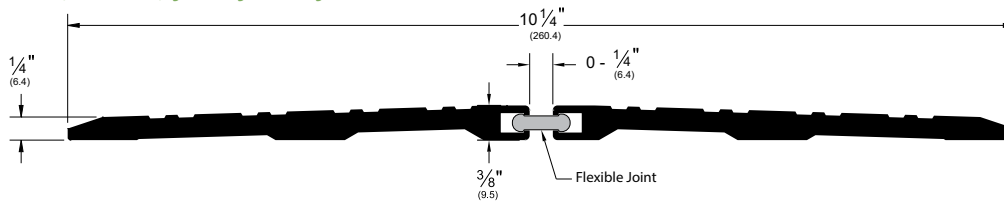


## THRESHOLD WITH FLEXIBLE JOINT

- Flexible joint allows the threshold to flex as much as 20° up or down
- Expands up to an additional 1/4"

### 573x5\_FG

AVAILABLE FINISHES: **A, D**  
 REPLACEMENT INSERT: **PK45 (BL)**  
 ANSI (aluminum): **J3219, J32190, J32193**



\* When used in such a manner that the slope is not steeper than 1:2, and the overall height is 1/2" or less and all other criteria are met.



NOTE: Products shown in this section may not be drawn to scale.

AVAILABLE FINISHES FOR PRODUCTS SHOWN ON THIS PAGE

**10BE** (Satin Bronze Powder Coated Aluminum) **A** (Mill Finish Aluminum) **BSP** (Black Suede Powder Coated Aluminum) **D** (Dark Bronze Anodized) **WSP** (White Suede Powder Coated Aluminum)



Experience a safer  
and more open world

800-824-3018 | [www.pemko.com](http://www.pemko.com)  
 Check the web site for the up-to-date catalog

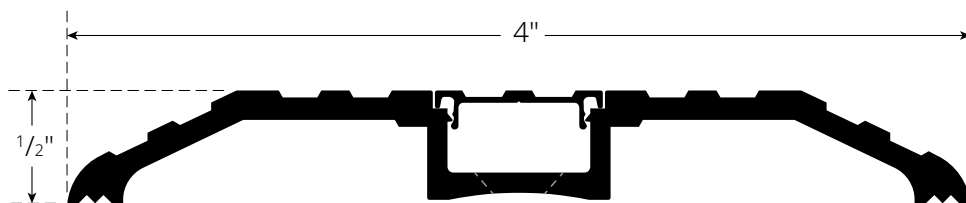
Copyright © 2015-2023, ASSA ABLOY Accessories and Door Controls Group, Inc., an ASSA ABLOY Group company. All rights reserved. Reproduction in whole or in part without the express written permission of ASSA ABLOY Accessories and Door Controls Group, Inc. is prohibited.

## CONCEALED FASTENER THRESHOLDS

- Material: 6063-T6 Aluminum Alloy and Temper
- Warranty: 5 years from purchase date

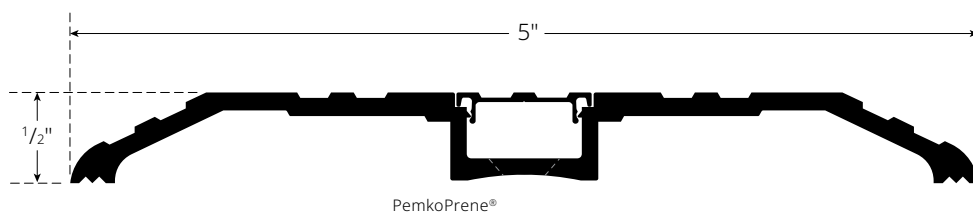
### 650

AVAILABLE FINISHES: **A, D**  
ANSI: **J32100, J32130**



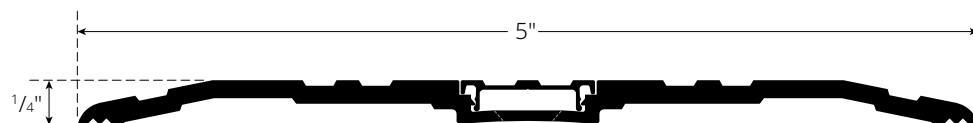
### 651

AVAILABLE FINISHES: **A, D**  
ANSI: **J32100, J32130**



### 671

AVAILABLE FINISHES: **A, D**  
ANSI: **J32100, J32130**



NOTE: Products shown in this section may not be drawn to scale.

AVAILABLE FINISHES FOR PRODUCTS SHOWN ON THIS PAGE  
**A** (Mill Finish Aluminum) **D** (Dark Bronze Anodized)

800-824-3018 | [www.pemko.com](http://www.pemko.com)

Check the web site for the up-to-date catalog

Copyright © 2015-2023, ASSA ABLOY Accessories and Door Controls Group, Inc., an ASSA ABLOY Group company. All rights reserved. Reproduction in whole or in part without the express written permission of ASSA ABLOY Accessories and Door Controls Group, Inc. is prohibited.

**PEMKO**  
**ASSA ABLOY**

Experience a safer  
and more open world

## ECO-V™ THRESHOLDS

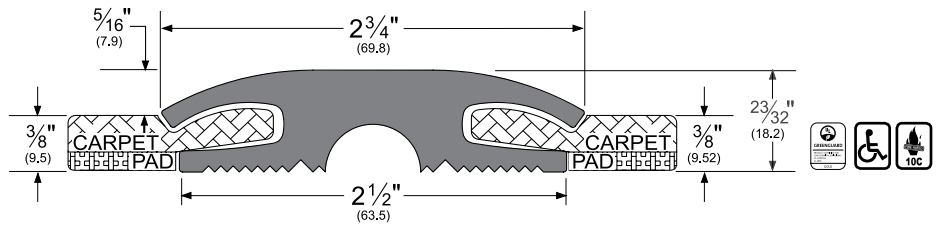
- Eco-V™ thresholds create an ideal transition where two different pieces of carpet meet, or carpet meets another surface under a door
- Ideal for use in any high-traffic commercial installation, such as hotels and offices
- Eco-V™ thresholds are manufactured from slightly softer material than competitive products. This aids in the cutting and fitting of the threshold and facilitates easier insertion of the carpet into the holding cavities on the carpet side(s) of the threshold
- Eco-V™ thresholds are designed to work in conjunction with Pemko's **2173\_V**, **2113\_V** and **2343\_V** door shoes
- EV232**, **EV2325**, and **ADJ232V** thresholds meet the requirements outlined in **ADAAG-2010 (Amended)**; **ICC/ANSI A117.1** and **California Building Code**, Title 24 for Barrier-Free Entry - 1/2" max rise above finished floor

### EV232\_

AVAILABLE COLORS: **BL, D**

AVAILABLE LENGTHS: **36", 48", 73"**

Serves as a transition where two pieces of carpet meet beneath an interior door

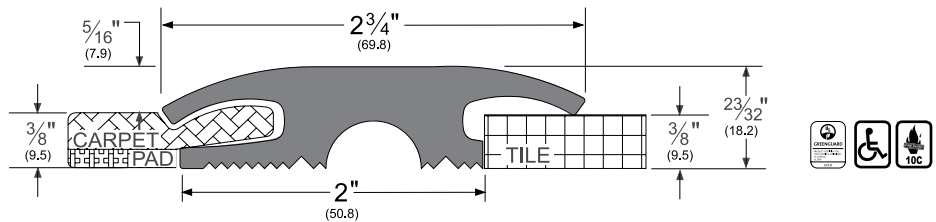


### EV2325\_

AVAILABLE COLORS: **BL, D**

AVAILABLE LENGTHS: **36", 48", 73"**

Serves as a transition where one piece of carpet meets tile beneath an interior door

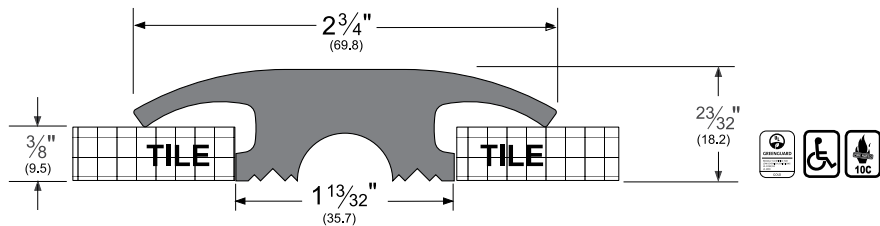


### EV2326\_

AVAILABLE COLORS: **BL, D**

AVAILABLE LENGTHS: **36", 48", 73"**

Serves as a transition where two pieces of tile meet beneath an interior door

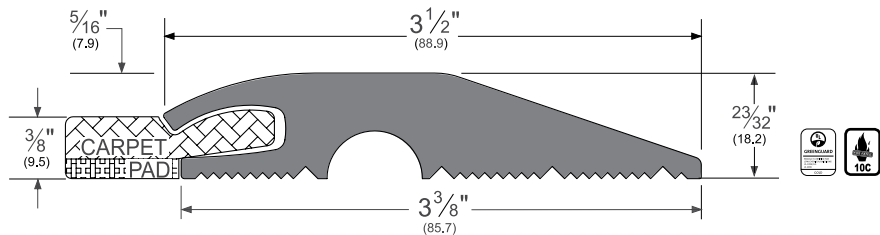


### EV2320\_

AVAILABLE COLOR: **BL**

AVAILABLE LENGTHS: **36", 48", 73"**

Serves as a transition where carpet meets concrete beneath an interior or exterior door

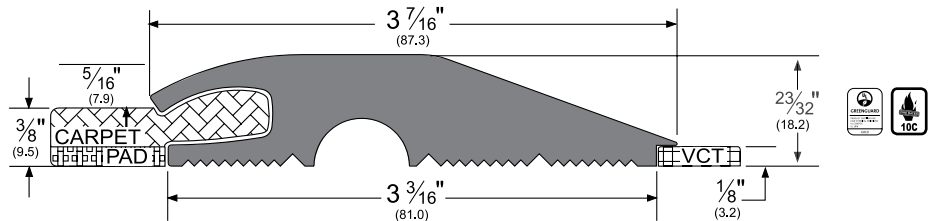


### EV2322\_

AVAILABLE COLOR: **BL**

AVAILABLE LENGTHS: **36", 48", 73"**

Serves as a transition where carpet meets 1/8" tile beneath an interior door



NOTE: Products shown in this section may not be drawn to scale.

AVAILABLE FINISHES FOR PRODUCTS SHOWN ON THIS PAGE

**BL** (Black) **D** (Dark Brown)

800-824-3018 | [www.pemko.com](http://www.pemko.com)

Check the web site for the up-to-date catalog

**PEMKO**  
**ASSA ABLOY**

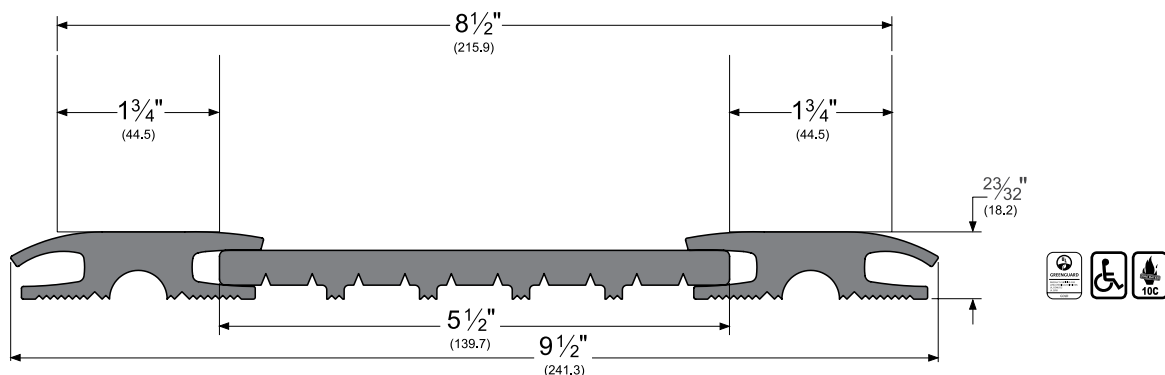
Experience a safer  
and more open world

## ADJUSTABLE-WIDTH ECO-V™ THRESHOLD

- The adjustable-width threshold is designed for installations where the widths of the transition beneath a door may need to change, without completely disassembling and reinstalling the threshold
- The adjustable-width threshold consists of two Eco-V™ end pieces and one Eco-V™ adjustable center section
- Center section (**EV2321** below) can easily be cut to size with a standard razor knife

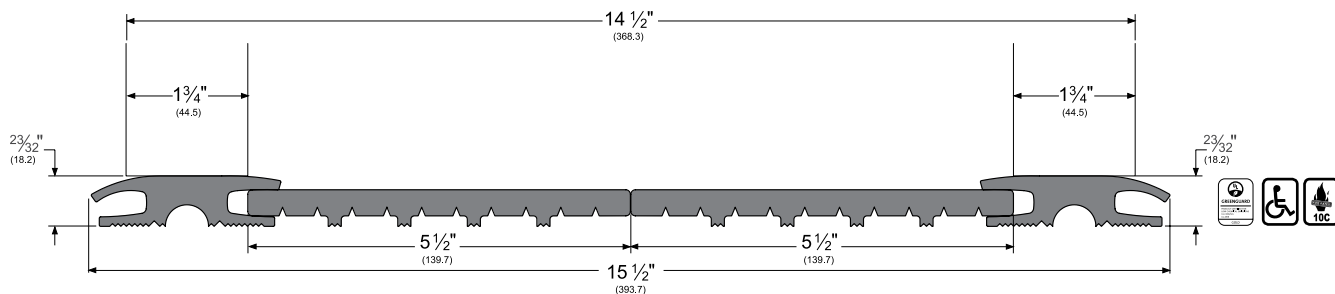
### ADJ232V8\_

AVAILABLE COLOR: **BL, D**  
AVAILABLE LENGTHS: **36", 48"**



### ADJ232V14\_

AVAILABLE COLOR: **BL, D**  
AVAILABLE LENGTHS: **36", 48"**

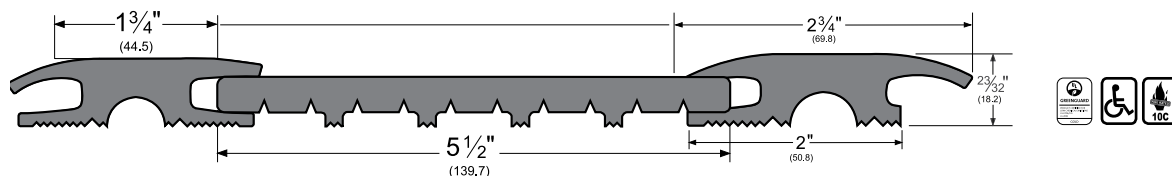


- Eco-V™ threshold ends can be used in many combinations to suit your flooring combination needs
- Shown below is **EV232** used with **EV2325** to illustrate use with carpet outside one communicating door and tile outside the other

### ADJ232x2325V8\_

AVAILABLE COLOR: **BL, D**  
AVAILABLE LENGTHS: **36", 48", 73"**

Serves as a transition where carpet meets tile beneath an interior door



NOTE: Products shown in this section may not be drawn to scale.

AVAILABLE FINISHES FOR PRODUCTS SHOWN ON THIS PAGE  
**BL** (Black) **D** (Dark Brown)

800-824-3018 | [www.pemko.com](http://www.pemko.com)

Check the web site for the up-to-date catalog

Copyright © 2015-2023, ASSA ABLOY Accessories and Door Controls Group, Inc., an ASSA ABLOY Group company. All rights reserved. Reproduction in whole or in part without the express written permission of ASSA ABLOY Accessories and Door Controls Group, Inc. is prohibited.

**PEMKO**  
**ASSA ABLOY**

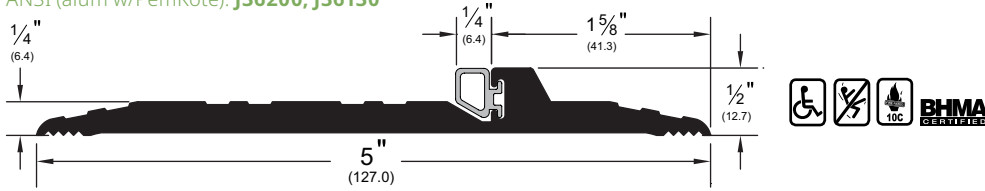
Experience a safer  
and more open world


# HEAVY DUTY LATCHING PANIC EXIT SADDLE THRESHOLD

- Ideal for heavy-duty, high-traffic and high weight-bearing applications, such as industrial facilities, schools, cafeterias, manufacturing buildings and hospitals
- Withstands coastal and high-humidity conditions
- Ultra-durable, extra thick extruded nickel-aluminum construction is guaranteed for ten (10) years

## 2705\_T

AVAILABLE FINISHES: **10BE, A, AK, BSP, D, WSP**  
 ANSI (aluminum): **J35100, J35130, J36100, J36130**  
 ANSI (alum w/PemKote): **J36200, J36130**



  
 All items on this page are available with **PemKote™** non-slip coating (see General Information section). Please specify "PemKote™" when ordering. Please furnish drilling instructions when ordering PemKote™ as it is difficult to drill through this coating.


# HEAVY DUTY THRESHOLDS

- Ideal for heavy-duty, high-traffic and high weight-bearing applications, such as industrial facilities, schools, cafeterias, manufacturing buildings and hospitals
- Withstands coastal and high-humidity conditions
- Ultra-durable, extra thick extruded nickel-aluminum construction is guaranteed for ten (10) years

## 2715

AVAILABLE FINISHES: **10BE, A, AK, BSP, D, WSP**  
 ANSI (aluminum): **J32100, J32130**  
 ANSI (alum w/PemKote): **J32200, J32230**



  
 All items on this page are available with **PemKote™** non-slip coating (see General Information section). Please specify "PemKote™" when ordering. Please furnish drilling instructions when ordering PemKote™ as it is difficult to drill through this coating.

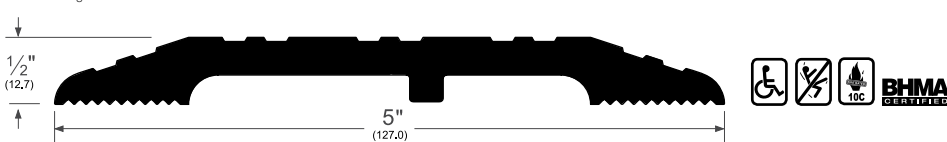
## 2716

AVAILABLE FINISHES: **10BE, A, AK, BSP, D, WSP**  
 ANSI (aluminum): **J32100, J32130**  
 ANSI (alum w/PemKote): **J32200, J32230**



## 1715\_

AVAILABLE FINISHES: **10BE, A, AK, BSP, D, WSP**  
 ANSI (aluminum): **J32100, J32130**  
 ANSI (alum w/PemKote): **J32200, J32230**  
 Allow  $\frac{5}{8}$ " door clearance



NOTE: Products shown in this section may not be drawn to scale.  
**AVAILABLE FINISHES FOR PRODUCTS SHOWN ON THIS PAGE**  
**10BE** (Satin Bronze Powder Coated Aluminum) **A** (Mill Finish Aluminum)  
**AK** (Mill Finish Aluminum w/PemKote™ Non-Slip Coating) **BSP** (Black Suede Powder Coated Aluminum)  
**D** (Dark Bronze Anodized) **WSP** (White Suede Powder Coated Aluminum)  
 NOTE: **D** is available with limited inventory



Experience a safer and more open world

800-824-3018 | www.pemko.com  
 Check the web site for the up-to-date catalog



## HEAVY DUTY THRESHOLDS (Cont.)

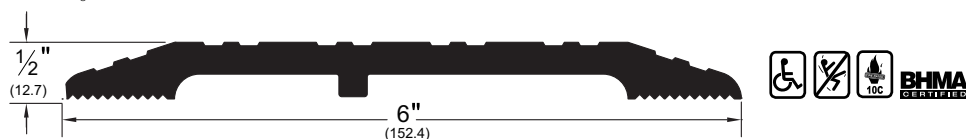
### 1716\_

AVAILABLE FINISHES: **10BE, A, AK, BSP, D, WSP**

ANSI (aluminum): **J32100, J32130**

ANSI (alum w/PemKote): **J32200, J32230**

Allow  $\frac{5}{8}$ " door clearance



All items on this page are available with PemKote™ non-slip coating (see General Information section). Please specify "PemKote™" when ordering. Please furnish drilling instructions when ordering PemKote™ as it is difficult to drill through this coating.

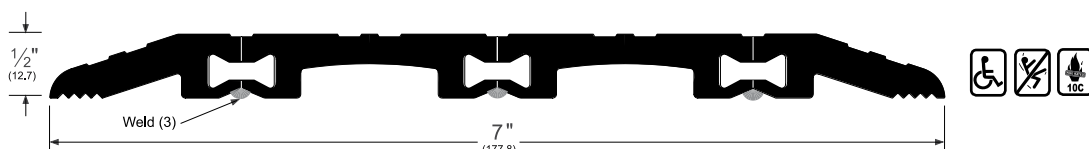
## MODULAR HEAVY DUTY THRESHOLDS

- Modular construction allows threshold to fit openings up to 15" wide without the expense of custom cast thresholds. There is no restriction on width additions (in 1" increments)
- Modular Thresholds can be thermally broken. Order by adding "FG" to the part number and designate at which joint the thermal key should be supplied. Note that each thermal key will add  $\frac{1}{8}$ " to overall width of threshold.

### 1717\_

AVAILABLE FINISHES: **10BE, A, AK, BSP, D, WSP**

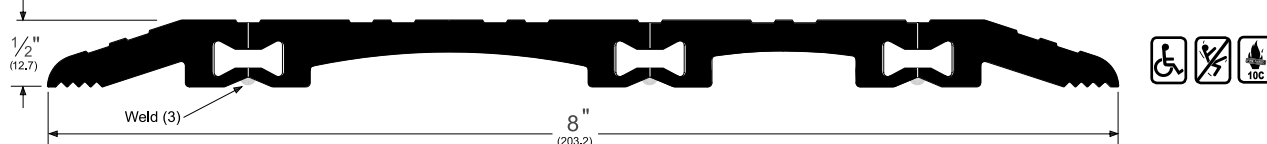
Allow  $\frac{5}{8}$ " door clearance



### 1718\_

AVAILABLE FINISHES: **10BE, A, AK, BSP, D, WSP**

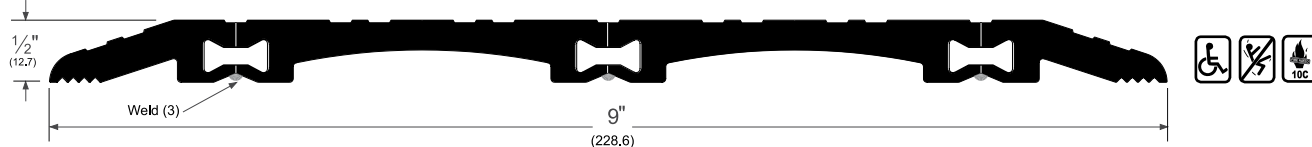
Allow  $\frac{5}{8}$ " door clearance



### 1719\_

AVAILABLE FINISHES: **10BE, A, AK, BSP, D, WSP**

Allow  $\frac{5}{8}$ " door clearance



NOTE: Products shown in this section may not be drawn to scale.

AVAILABLE FINISHES FOR PRODUCTS SHOWN ON THIS PAGE

**10BE** (Satin Bronze Powder Coated Aluminum) **A** (Mill Finish Aluminum)

**AK** (Mill Finish Aluminum w/PemKote™ Non-Slip Coating) **BSP** (Black Suede Powder Coated Aluminum)

**D** (Dark Bronze Anodized) **WSP** (White Suede Powder Coated Aluminum)

NOTE: **D** is available with limited inventory

800-824-3018 | [www.pemko.com](http://www.pemko.com)

Check the web site for the up-to-date catalog


Copyright © 2015-2023, ASSA ABLOY Accessories and Door Controls Group, Inc., an ASSA ABLOY Group company. All rights reserved. Reproduction in whole or in part without the express written permission of ASSA ABLOY Accessories and Door Controls Group, Inc. is prohibited.

**PEMKO**  
**ASSA ABLOY**

Experience a safer  
and more open world

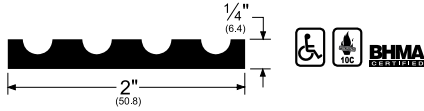
# FLOOR PLATES/SAFETY TREADS

- Pemko can fabricate almost any floor plate threshold you might require
- Furnished undrilled unless drilling instructions are specified when ordering
- Ordering of fasteners does not constitute drilling instructions
- Elevated floor plates require support every 4" on center, at welded seams, and as necessary for support
- Orders with "x" in the product number (i.e. 195 x 193 x 195) indicate welding

 Available with PemKote™ non-slip coating (see General Information section). Please specify "PemKote™" when ordering. Please furnish drilling instructions when ordering PemKote™ as it is difficult to drill through this coating.

## 190\_

AVAILABLE FINISHES: **10BE, A, BSP, D, WSP**  
 ANSI (aluminum): **J37100, J37130**  
 ANSI (brass): **J17100, J17130**



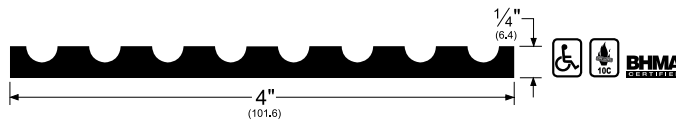
## 191\_

AVAILABLE FINISHES: **10BE, A, BSP, D, WSP**  
 ANSI (aluminum): **J37100, J37130**  
 ANSI (brass): **J17100, J17130**



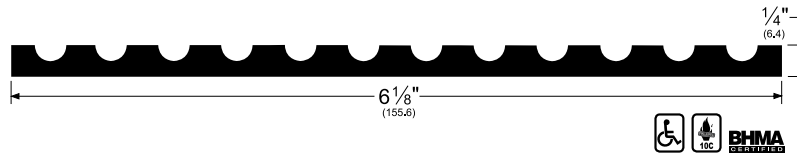
## 192\_

AVAILABLE FINISHES: **10BE, A, BSP, D, WSP**  
 ANSI (aluminum): **J37100, J37130**  
 ANSI (brass): **J17100, J17130**



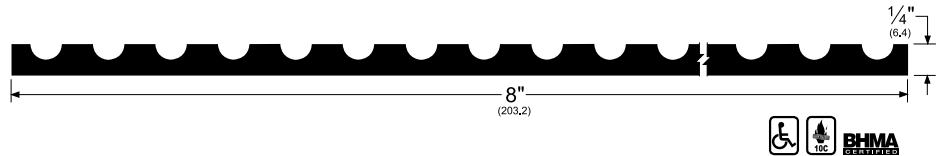
## 193\_

AVAILABLE FINISHES: **10BE, A, BSP, D, WSP**  
 ANSI (aluminum): **J37100, J37130**  
 ANSI (brass): **J17100, J17130**



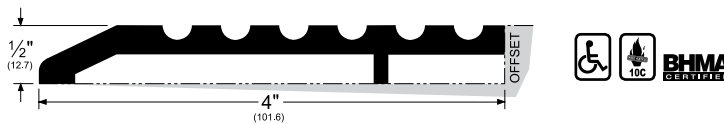
## 228\_

AVAILABLE FINISHES: **10BE, A, BSP, D, WSP**  
 ANSI (aluminum): **J37100, J37130**  
 ANSI (brass): **J17100, J17130**



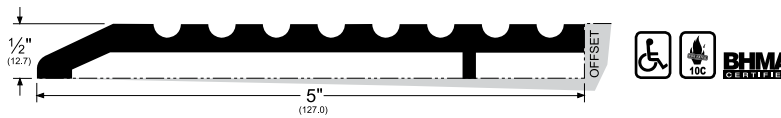
## 227\_

AVAILABLE FINISHES: **10BE, A, BSP, D, WSP**  
 ANSI (aluminum): **J33100, J33130**  
 ANSI (brass): **J13100, J13130**



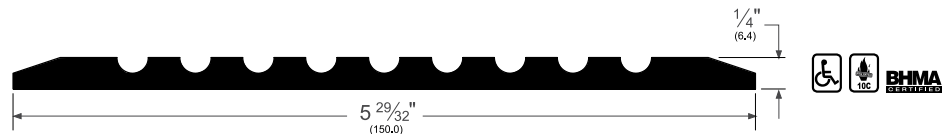
## 229\_

AVAILABLE FINISHES: **10BE, A, BSP, D, WSP**  
 ANSI (aluminum): **J33100, J33130**



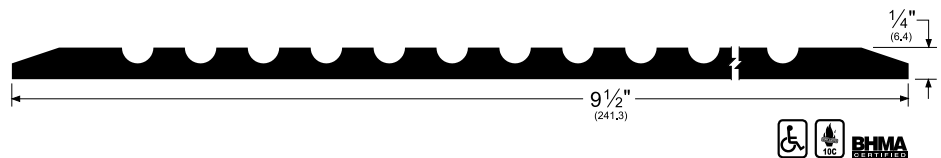
## 2266\_

AVAILABLE FINISHES: **10BE, A, BSP, D, WSP**  
 ANSI (aluminum): **J37100, J37130**



## 2286\_

AVAILABLE FINISHES: **10BE, A, BSP, D, WSP**  
 ANSI (aluminum): **J37100, J37130**



NOTE: Products shown in this section may not be drawn to scale.

AVAILABLE FINISHES FOR PRODUCTS SHOWN ON THIS PAGE  
**10BE** (Satin Bronze Powder Coated Aluminum) **A** (Mill Finish Aluminum)  
**BSP** (Black Suede Powder Coated Aluminum) **D** (Dark Bronze Anodized)  
**WSP** (White Suede Powder Coated Aluminum)



Experience a safer and more open world

800-824-3018 | www.pemko.com  
 Check the web site for the up-to-date catalog

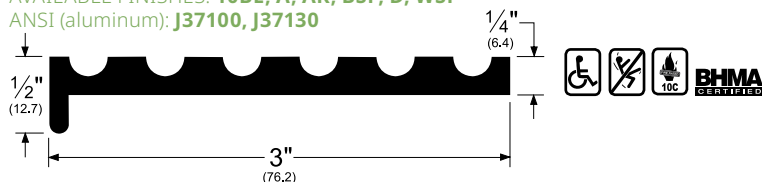
Copyright © 2015-2023, ASSA ABLOY Accessories and Door Controls Group, Inc., an ASSA ABLOY Group company. All rights reserved. Reproduction in whole or in part without the express written permission of ASSA ABLOY Accessories and Door Controls Group, Inc. is prohibited.

## FLOOR PLATES/SAFETY TREADS (Cont.)

### 19125\_

AVAILABLE FINISHES: **10BE, A, AK, BSP, D, WSP**

ANSI (aluminum): **J37100, J37130**



## ALUMINUM PLATES

- Used where a cover plate, expansion joint plate, or wide extra-strength metal plate is needed
- Maximum length is 144". All aluminum plates are provided NET length
- Both length edges are beveled at a 45° angle; "single edge bevel" or "no bevel" is also available at no extra cost; length of plate should be roughly equal to width of opening.
- Plates are supplied undrilled unless otherwise specified. Pemko reserves the right to charge for special fastener patterns
- Plates are furnished with #10 x 1 1/2" wood screws. Screws supplied: one (1) screw per foot up to 8" wide; two (2) screws per foot 8" to 12" wide; and three (3) screws per foot over 12" wide
- Plates are ADA compliant only when ordered with PemKote finish

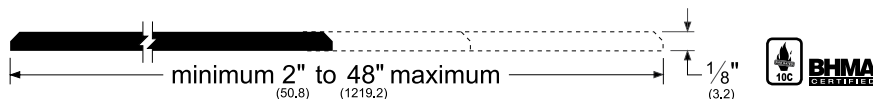


### 18/1\_ - (width x length)

AVAILABLE FINISH: **10BE, A, AK, BSP, WSP**

ANSI (aluminum): **J37300, J37330**

ANSI (alum w/PemKote): **J37400, J37430**

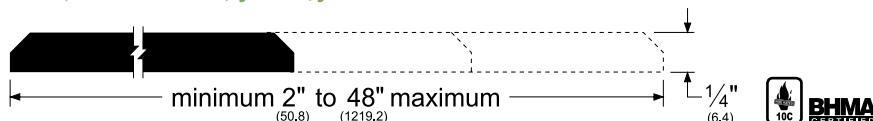


### 14/1\_ - (width x length)

AVAILABLE FINISH: **10BE, A, AK, BSP, WSP**

ANSI (aluminum): **J37300, J37330**

ANSI (alum w/PemKote): **J37400, J37430**



NOTE: Products shown in this section may not be drawn to scale.

AVAILABLE FINISHES FOR PRODUCTS SHOWN ON THIS PAGE

**10BE** (Satin Bronze Powder Coated Aluminum) **A** (Mill Finish Aluminum)

**AK** (Mill Finish Aluminum w/PemKote™ Non-Slip Coating) **BSP** (Black Suede Powder Coated Aluminum)

**D** (Dark Bronze Anodized) **WSP** (White Suede Powder Coated Aluminum)

NOTE: **D** is available with limited inventory

800-824-3018 | [www.pemko.com](http://www.pemko.com)

Check the web site for the up-to-date catalog

Copyright © 2015-2023, ASSA ABLOY Accessories and Door Controls Group, Inc., an ASSA ABLOY Group company. All rights reserved.  
Reproduction in whole or in part without the express written permission of ASSA ABLOY Accessories and Door Controls Group, Inc. is prohibited.

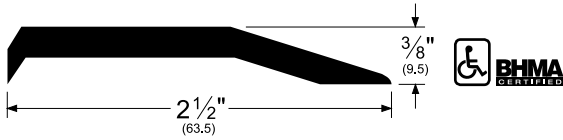
**PEMKO**  
**ASSA ABLOY**

Experience a safer  
and more open world

# CARPET SEPARATORS

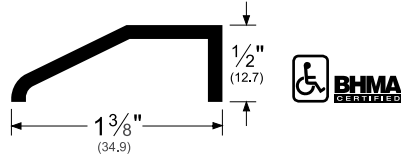
## 174\_

AVAILABLE FINISHES: **10BE, BSP, C, D, WSP**  
 ANSI (aluminum): **J32300, J32340**  
 ANSI (brass): **J17300, J17330**



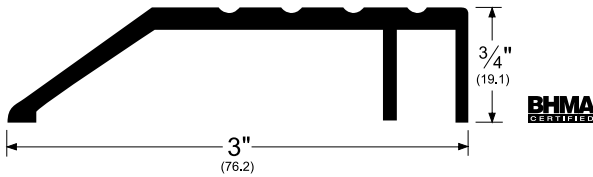
## 1951\_

AVAILABLE FINISHES: **A, D**  
 ANSI (aluminum): **J37300, J37330**  
 • Supplied undrilled unless otherwise specified  
 • ADA compliant when butted to 1/4" or 1/2" high flooring material



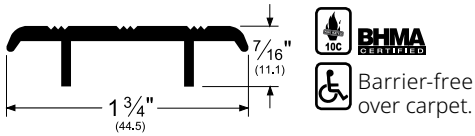
## 230\_

AVAILABLE FINISHES: **10BE, A, BSP, D, WSP**



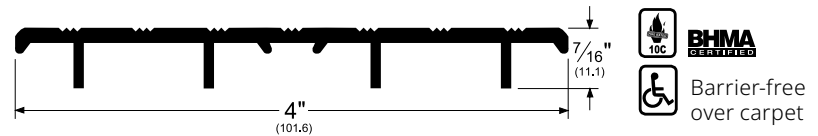
## 236\_

AVAILABLE FINISHES: **10BE, A, BDG, BSP, D, WSP**  
 ANSI (aluminum): **J32134**



## 2364\_

AVAILABLE FINISHES: **10BE, A, BSP, D, WSP**  
 ANSI (aluminum): **J32134, J32140**



NOTE: Products shown in this section may not be drawn to scale.  
 AVAILABLE FINISHES FOR PRODUCTS SHOWN ON THIS PAGE  
**10BE** (Satin Bronze Powder Coated Aluminum) **A** (Mill Finish Aluminum)  
**BSP** (Black Suede Powder Coated Aluminum) **C** (Clear Anodized)  
**D** (Dark Bronze Anodized) **WSP** (White Suede Powder Coated Aluminum)



Experience a safer  
and more open world

800-824-3018 | [www.pemko.com](http://www.pemko.com)  
 Check the web site for the up-to-date catalog

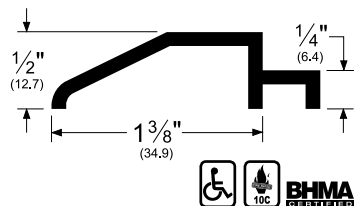
Copyright © 2015-2023, ASSA ABLOY Accessories and Door Controls Group, Inc., an ASSA ABLOY Group company. All rights reserved.  
 Reproduction in whole or in part without the express written permission of ASSA ABLOY Accessories and Door Controls Group, Inc. is prohibited.

## FLOOR PLATE SUPPORTS/ACCESSORIES

- Please see information under Floor Plates and Safety Treads (page 134-135)

### 195\_

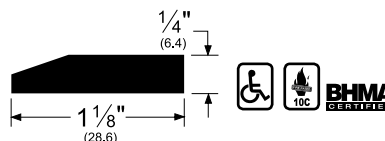
AVAILABLE FINISHES: **10BE, A, BSP, D, WSP**  
 ANSI (aluminum): **J37300**  
 ANSI (brass): **J17300**



### 196\_

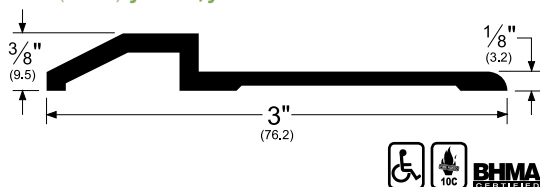
AVAILABLE FINISHES: **10BE, A, B, BSP, D, WSP**  
 ANSI (aluminum): **J37300, J37330**  
 ANSI (brass): **J17300, J17330**

When ordering, specify whether 196 material is to be used as trim or support



### 200\_

AVAILABLE FINISHES: **10BE, A, BSP, D, WSP**  
 ANSI (aluminum): **J37300, J37330**  
 ANSI (brass): **J17300, J17330**

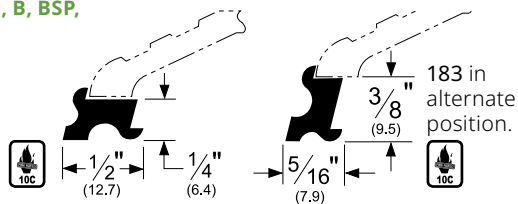


## ELEVATORS

- Elevators allow for custom sizing in offset conditions
- Fasteners are not included and are not required with these shapes when used in conjunction with a threshold

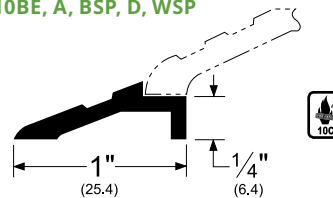
### 183\_

AVAILABLE FINISHES:  
**10BE, A, B, BSP, D, WSP**



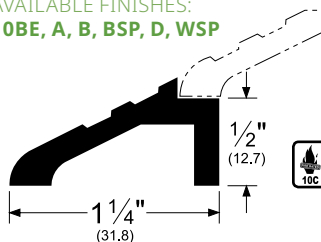
### 282\_

AVAILABLE FINISHES:  
**10BE, A, BSP, D, WSP**



### 283\_

AVAILABLE FINISHES:  
**10BE, A, B, BSP, D, WSP**



NOTE: Products shown in this section may not be drawn to scale.

AVAILABLE FINISHES FOR PRODUCTS SHOWN ON THIS PAGE  
**10BE** (Satin Bronze Powder Coated Aluminum) **A** (Mill Finish Aluminum)  
**B** (Mill Finish Extruded Bronze [Brass])  
**BSP** (Black Suede Powder Coated Aluminum) **C** (Clear Anodized)  
**D** (Dark Bronze Anodized) **WSP** (White Suede Powder Coated Aluminum)

800-824-3018 | [www.pemko.com](http://www.pemko.com)

Check the web site for the up-to-date catalog

Copyright © 2015-2023, ASSA ABLOY Accessories and Door Controls Group, Inc., an ASSA ABLOY Group company. All rights reserved. Reproduction in whole or in part without the express written permission of ASSA ABLOY Accessories and Door Controls Group, Inc. is prohibited.

**PEMKO**  
**ASSA ABLOY**

Experience a safer  
 and more open world

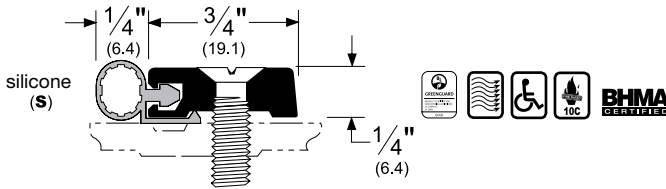
# THRESHOLD STOP STRIPS

- Use with standard flat top, saddle threshold to provide a door stop and seal at bottom of door
- Stop strips are supplied pre-drilled with #10-24 Phillips flat head machine screws of appropriate length
- These stops will affect the pivot hole location of an assembly

## 1842\_S

AVAILABLE FINISHES: **10BE, A, BSP, D, WSP**  
 REPLACEMENT INSERT: **S3 (BL, W)**

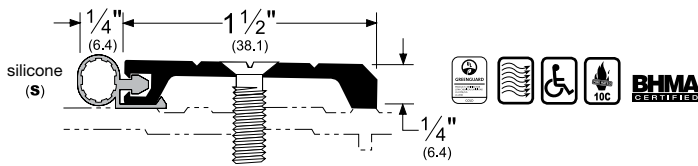
- Allow 1/8" door clearance from top of threshold
- Barrier-free with 1/4" saddle only



## 290\_SSTOP

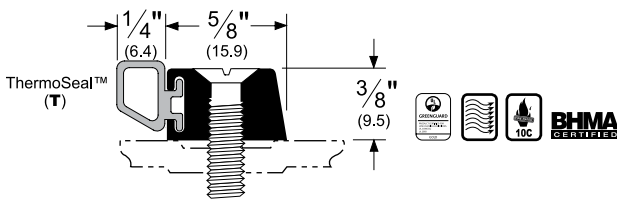
AVAILABLE FINISHES: **10BE, A, BSP, D, G, WSP**  
 REPLACEMENT INSERT: **S3 (BL, W)**

- Allow 1/8" door clearance from top of threshold
- Barrier-free with 1/4" saddle only



## 184\_T

AVAILABLE FINISHES: **10BE, A, B, BSP, D, WSP**  
 REPLACEMENT INSERT: **T5 (BL)**



### Alternate Inserts

**1842\_PK**  
**290\_PKSTOP**

REPLACEMENT INSERT:  
**PK47 (BL, GR)**



### Alternate Inserts

**1842\_V**  
**290\_VSTOP**

REPLACEMENT INSERT:  
**EV47 (BL, GR, W)**



### Alternate Inserts

**184\_P**

REPLACEMENT INSERT:  
**P2 (BL, GR)**



**184\_V**

REPLACEMENT INSERT:  
**EV41 (BL, GR, W)**



NOTE: Products shown in this section may not be drawn to scale.

**AVAILABLE FINISHES FOR PRODUCTS SHOWN ON THIS PAGE**

**10BE** (Satin Bronze Powder Coated Aluminum) **A** (Mill Finish Aluminum) **B** (Mill Finish Extruded Bronze [Brass])  
**BSP** (Black Suede Powder Coated Aluminum) **D** (Dark Bronze Anodized) **G** (Gold Anodized)  
**WSP** (White Suede Powder Coated Aluminum)

NOTE: **G** is available with limited inventory



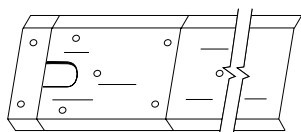
Experience a safer  
 and more open world

## FLOOR CLOSER THRESHOLDS/COVER PLATE ASSEMBLIES

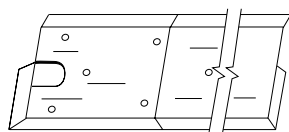
- **TYPE OF ASSEMBLY** – Type 11 or 14 for center hung, Type 13 or 15 for offset hung
- **MATERIALS** – Saddles, floor plates, supports, risers, elevators, and stop strips
- **CLOSER TO BE USED** – Manufacturer and model number
- **NET LENGTH** – Jamb-to-jamb. Assembly Types 11, 13 and 14 are cut with center section  $\frac{1}{2}$ " over net length up to 48" and 1" over net length over 48" to allow for fitting on the job. Please specify "net length", if required. Assembly Type 15 is cut at net length because of factory-cut miters
- **HANDING** – For single doors, specify right or left hand. For pairs of doors, handing is not required
- **SPECIAL FINISHES** – Examples include polished, oxidized and oil rubbed, and PemKote™
- **SPECIAL FASTENERS** – For center section only. Examples include: MSES, FHSL25, and MSES-SS
- **SPECIAL FABRICATION INSTRUCTIONS** – Notching, full miters, etc. Assembly Type 11 is supplied without mitered ends, and assembly Types 13, 14 and 15 are supplied with both ends mitered. Also, when ordering stop strips (shown on page 132), specify door thickness and pivot offset so that the threshold assembly width and pivot dimension can be determined
- **RETURNS AND ALLOWANCES** – Restock fee for "custom" material applies to these products



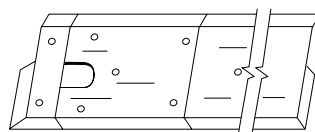
THRESHOLD WIDTH	FASTENER ROWS	THRESHOLD WIDTH	FASTENER ROWS
2" to 7 $\frac{7}{8}$ "	1 Row	19" to 24 $\frac{7}{8}$ "	4 Rows
8" to 12 $\frac{7}{8}$ "	2 Rows	25" to 30 $\frac{7}{8}$ "	5 Rows
13" to 18 $\frac{7}{8}$ "	3 Rows	31" to 36 $\frac{7}{8}$ "	6 Rows



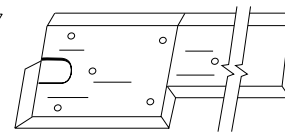
**TYPE 11**  
Center hung



**TYPE 13**  
Offset



**TYPE 14**  
Center hung



**TYPE 15**  
Offset

THRESHOLDS FOR TYPE 11, 13, 14				
SIZE	PRODUCT NUMBER	FINISHES	PRODUCT NUMBER	FINISHES
$\frac{1}{2}$ " x 7"	176_	A, B, D, G		
$\frac{1}{4}$ " x 7"	276_	A, B, D, G		
$\frac{1}{2}$ " x 8"	2548_	A, D, G	254_ x 4_	B
$\frac{1}{4}$ " x 8"	2748_	A, D, G	274_ x 4_	B
$\frac{1}{2}$ " x 8 $\frac{7}{8}$ "	193_ x 2/195_	A, D, G		
* $\frac{3}{4}$ " x 12" x $\frac{1}{4}$ "	257_ x 259_	A, B, D, G		

\* Ramp threshold for  $\frac{1}{2}$ " offset.

Pemko	Rixson
Type 11	Type 1
Type 13	Type 3
Type 14	Type 4
Type 15	Type 5

THRESHOLDS FOR TYPE 15				
SIZE	PRODUCT NUMBER	FINISHES	PRODUCT NUMBER	FINISHES
$\frac{1}{2}$ " x 7" x 4"	176_ x 170_	A, B, D, G		
$\frac{1}{4}$ " x 7" x 4"	276_ x 270_	A, B, D, G		
$\frac{1}{2}$ " x 7" x 5"	176_ x 171_	A, B, D, G		
$\frac{1}{4}$ " x 7" x 5"	276_ x 271_	A, B, D, G		
$\frac{1}{2}$ " x 8" x 4"	2548_ x 170_	A, D, G	254 x 4_ x 170_	B
$\frac{1}{4}$ " x 8" x 4"	2748_ x 270_	A, D, G	274 x 4_ x 270_	B
$\frac{1}{2}$ " x 8" x 5"	2548_ x 171_	A, D, G	254 x 4_ x 171_	B
$\frac{1}{4}$ " x 8" x 5"	2748_ x 271_	A, D, G	274 x 4_ x 271_	B

NOTE: Products shown in this section may not be drawn to scale.

AVAILABLE FINISHES FOR PRODUCTS SHOWN ON THIS PAGE

**A** (Mill Finish Aluminum) **B** (Mill Finish Extruded Bronze [Brass]) **D** (Dark Bronze Anodized) **G** (Gold Anodized)

NOTE: **G** is available with limited inventory

800-824-3018 | [www.pemko.com](http://www.pemko.com)

Check the web site for the up-to-date catalog

Copyright © 2015-2023, ASSA ABLOY Accessories and Door Controls Group, Inc., an ASSA ABLOY Group company. All rights reserved. Reproduction in whole or in part without the express written permission of ASSA ABLOY Accessories and Door Controls Group, Inc. is prohibited.

**PEMKO**  
**ASSA ABLOY**

Experience a safer  
and more open world

## ANSI/BHMA A156.21 THRESHOLDS - CROSS REFERENCE

- Following a profile number, “**A**” signifies the base metal as aluminum and will include any anodized finish
- Following a profile number, “**B**” signifies the base metal as architectural bronze [brass]
- Consult [www.buildershardware.com](http://www.buildershardware.com) for the most up-to-date BHMA Certified Product Directory (CPD) information

ANSI No.	Pemko Item#
J12100	170B, 171B, 172B, 176B, 198B, 254x4B, 254x5B, 255x5B, 270B, 271B, 272B, 274x4B, 276B
J12130	170B, 171B, 172B, 176B, 254x4B, 254x5B, 255x5B, 270B, 271B, 272B, 274x4B, 276B
J12134	236B, 2364B
J12139	252x2BFG, 252x3BFG, 253x3BFG, 253x4BFG, 254x4BFG, 254x5BFG, 255x5BFG, 273x3BFG, 273x4BFG, 274x4BFG
J12190	252x2BFG, 252x3BFG, 253x3BFG, 253x4BFG, 254x4BFG, 254x5BFG, 255x5BFG, 273x3BFG, 273x4BFG, 274x4BFG
J12193	252x2BFG, 252x3BFG, 253x3BFG, 253x4BFG, 254x4BFG, 254x5BFG, 273x3BFG, 273x4BFG, 274x4BFG
J12300	151B, 173B, 175B
J12330	151B, 173B, 175B
J13100	227B, 252B, 253B, 254B, 255B, 273B, 274B
J13130	227B, 252B, 253B, 254B, 255B, 273B, 274B
J13133	273B, 274B
J14170	101B, 108B, 114B
J15100	177B, 181B, 2005B, 252x226B, 253x226B, 254x226B, 255x226B
J15130	2005B
J15190	252x226BFG, 253x226BFG, 254x226BFG, 255x226BFG
J15300	159B
J16100	177BT, 181BT, 2005B, 2005BT, 252x226BT, 253x226BT, 254x226BT, 255x226BT
J16130	2005B
J16300	159BT
J17300	174B, 195B, 196B, 200B
J17330	174B, 195B, 196B, 200B
J18130	257B, 259B, 275x259B
J19100	176B, 254x4B, 257B/259B, 274x4B, 276B
J19130	176B, 254x4B, 257B/259B, 274x4B, 276B
J19135	176B, 176B, 176Bx170B, 176Bx171B, 254x4B, 254x4B, 254x4Bx170B, 254x4Bx171B, 257B/259B, 257B/259B, 274x4B, 274x4B, 274x4Bx270B, 274x4Bx271B, 276B, 276B, 276Bx270B, 276Bx271B
J19150	176B, 176B, 176Bx170B, 176Bx171B, 254x4B, 254x4Bx170B, 254x4Bx171B, 257B/259B, 274x4B, 274x4B, 274x4Bx270B, 274x4Bx271B, 276B, 276B, 276Bx270B, 276Bx271B
J31100	206AV, 207AV
J32100	156A, 1571A, 157A, 158A, 166A, 169A, 1700A, 170A, 1715A, 171A, 172A, 176A, 182A, 198A, 2548A, 2549A, 2550A, 2555x253A, 256x6A, 256x6A, 270A, 2715A, 2716A, 271A, 2727A, 272A, 2746x6A, 2748A, 2749A, 2750A, 276A



Experience a safer  
and more open world

800-824-3018 | [www.pemko.com](http://www.pemko.com)  
Check the web site for the up-to-date catalog

Copyright © 2015-2023, ASSA ABLOY Accessories and Door Controls Group, Inc., an ASSA ABLOY Group company. All rights reserved.  
Reproduction in whole or in part without the express written permission of ASSA ABLOY Accessories and Door Controls Group, Inc. is prohibited.



## ANSI/BHMA A156.21 THRESHOLDS - CROSS REFERENCE (Cont.)

ANSI No.	Pemko Item#
J32130	158A, 166A, 169A, 1700A, 1701A, 1715A, 1716A, 1716A, 171A, 172A, 176A, 2548A, 2549A, 2550A, 2555x253A, 256x6A, 256x6A, 270A, 2715A, 2716A, 271A, 2727A, 272A, 2746x6A, 2748A, 2749A, 2750A, 276A
J32134	236A, 2364A, 2366A
J32138	158A, 2727A
J32139	252x2AFG, 252x3AFG, 253x3AFG, 253x4AFG, 253x6AFG, 254x4AFG, 254x5AFG, 2555x253AFG, 255x5AFG, 256x6AFG, 273x3AFG, 273x4AFG, 2746x6AFG, 274x4AFG
J32140	236A
J32180	157A, 1571A, 158A, 182A, 2727A
J32190	252x2AFG, 252x3AFG, 253x3AFG, 253x4AFG, 253x6AFG, 254x4AFG, 254x5AFG, 2555x253AFG, 255x5AFG, 256x6AFG, 273x3AFG, 273x4AFG, 2746x6AFG, 274x4AFG
J32193	252x2AFG, 252x3AFG, 253x3AFG, 253x4AFG, 253x6AFG, 254x4AFG, 254x5AFG, 2555x253AFG, 255x5AFG, 256x6AFG, 273x3AFG, 273x4AFG, 2746x6AFG, 274x4AFG
J32200	1715AK, 2715AK, 2716AK
J32230	1715AK, 1716AK, 2715AK, 2716AK
J32300	151A, 1546A, 1547A, 154A, 173A, 174A, 175A
J32330	151A, 1546A, 1547A, 154A, 173A, 174A, 175A
J33100	157A, 1571A, 182A, 1875A, 1877A, 227A, 229A, 252A, 253A, 254A, 2555A, 255A, 2565A, 256A, 273A, 2746A, 274A, 278A, 279A
J33130	227A, 229A, 252A, 253A, 254A, 255A, 2565A, 256A, 273A, 2746A, 274A, 278A, 279A
J33133	273A, 2746A, 274A, 278A, 279A
J33180	1875A, 1877A
J34170	101A, 107A, 114A, 121A, 123A
J35100	177A, 179A, 181A, 2005A, 2006A, 2008A, 252x226A, 253x226A, 254x226A, 255x226A, 2705A, 277A
J35130	2005A, 206A, 2008A, 2705A
J35190	252x226AFG, 253x226AFG, 254x226AFG, 255x226AFG
J35300	159A, 185A, 1855A
J36100	177AT, 179AT, 181AT, 2005AT, 2006AT, 2006STC, 2007AT, 2008APK, 2009APK, 2010APK, 252x226A, 252x266A, 253x226A, 254x226AT, 255x226AT, 2705A, 277AR, 277AS
J36130	2005A, 2005AT, 2006AT, 2006STC, 2008APK, 2009APK, 2010APK, 2705A, 273x224AFG, 273x292AFG, 2746x292AFG, 274x224AFG, 274x292AFG, 278x224AFG, 278x292AFG, 279x224AFG, 279x292AFG
J36139	273x224AFG, 273x292AFG, 2746x292AFG, 274x224AFG, 274x292AFG, 278x224AFG, 278x292AFG, 279x224AFG, 279x292AFG
J36190	252x226AFGT, 253x226AFG, 253x226BFG, 254x226AFG, 255x226AFG, 273x224AFG, 273x292AFG, 2746x292AFG, 274x224AFG, 274x292AFG, 278x224AFG, 278x292AFG, 279x224AFG, 279x292AFG
J36193	273x224AFG, 273x292AFG, 2746x292AFG, 274x224AFG, 274x292AFG, 278x224AFG, 278x292AFG, 279x224AFG, 279x292AFG
J36200	2705AK
J36230	2705AK

## ANSI/BHMA A156.21 THRESHOLDS - CROSS REFERENCE (Cont.)

ANSI No.	Pemko Item#
J36300	159AT, 185AT, 1855AT
J37100	190A, 191A, 192A, 193A, 228A, 2266A, 2286A, 19125A
J37130	190A, 191A, 192A, 193A, 228A, 2266A, 2286A, 19125A
J37200	190AK, 191AK, 192AK, 193AK, 19125AK
J37230	190AK, 191AK, 192AK, 193AK, 19125AK
J37300	14/1A, 18/1A, 194A, 1951A, 195A, 196A, 200A
J37330	14/1A, 174C, 18/1A, 1951A, 195A, 196A, 200A
J37400	14/1A, 18/1A
J37430	14/1A, 18/1A
J38130	257A, 259A, 257x259A, RAMP10A, RAMP11A, RAMP12A, RAMP1A, RAMP2A, RAMP3A, RAMP4A, RAMP5A, RAMP6A, RAMP7A, RAMP8A, RAMP9A, WING10, WING16, WINGEXT
J38230	257AK, 259AK, 257x259AK, 257x259BK, RAMP10AK, RAMP11AK, RAMP12AK, RAMP1AK, RAMP2AK, RAMP3AK, RAMP4AK, RAMP5AK, RAMP6AK, RAMP7AK, RAMP8AK, RAMP9AK, WING10K, WING16K, WINGEXT
J39100	176A, 193Ax2/195A, 2548A, 257Ax259A, 2748A, 276A, RAMP1A
J39130	176A, 193Ax2/195A, 2548A, 257Ax259A, 2748A, 276A, RAMP1A
J39135	176A, 176Ax170A, 176Ax171A, 2548A, 2548Ax170A, 2548Ax171A, 257Ax259A, 2748A, 2748Ax270A, 2748Ax271A, 276A, 276Ax270A, 276Ax271A, RAMP1A
J39150	176A, 176Ax170A, 176Ax171A, 2548A, 2548Ax170A, 2548Ax171A, 257Ax259A, 2748A, 2748Ax270A, 2748Ax271A, 276A, 276Ax270A, 276Ax271A, RAMP1A
J52300	154SS, 158SS, 175SS
J52330	154SS, 175SS, 252x2SSFG, 252x3SSFG, 252x4SSFG, 253x3SSFG, 253x4SSFG, 254x4SSFG
J52338	158SS
J52339	252x2SSFG, 252x3SSFG, 252x4SSFG, 253x3SSFG, 253x4SSFG, 254x4SSFG
J52380	158SS
J52390	252x2SSFG, 252x3SSFG, 252x4SSFG, 253x3SSFG, 253x4SSFG, 254x4SSFG
J52393	252x2SSFG, 252x3SSFG, 252x4SSFG, 253x3SSFG, 253x4SSFG, 254x4SSFG
J53300	252SS, 253SS, 254SS
J53330	252SS, 253SS, 254SS
J53300	252SS, 253SS, 254SS
J53330	252SS, 253SS, 254SS

# PEMKO MODULAR RAMPS

## CONTENTS:

Ramp Ordering Information.....	132
Modular Ramp Threshold Assemblies - Flush Applications.....	133
Modular Ramp Threshold Assemblies - Offset (7" Top Plate).....	134
Modular Ramp Threshold Assemblies - Offset (3½" Top Plate).....	135
Modular Ramp Threshold Components.....	136
Modular Ramp Threshold Assemblies - Variables.....	137
Risers for Modular Ramps.....	137
Miter Returns For All Modular Ramp Thresholds.....	138
Barrier-Free Ramp Thresholds.....	139
Fire Retardant and Styrene Butadiene Rubber Ramp Thresholds.....	140
Rubber Ramp Miter Returns.....	141
Recycled Rubber Ramp Assembly.....	141

## INDEX:

<u>PRODUCT</u>	<u>PAGE</u>	<u>PRODUCT</u>	<u>PAGE</u>	<u>PRODUCT</u>	<u>PAGE</u>
257.....	139	R1OSSMR.....	135	RAMP 6.....	136
257x259.....	139	R2.25F.....	133	RAMP 7.....	137
259.....	139	R2.25FMR.....	133	RAMP 8.....	136
R1.5F.....	133	R2F.....	133	RAMP 8.....	137
R1.5FMR.....	133	R2FMR.....	133	RAMP 9.....	136
R1.5OS.....	134	R2OS.....	134	RAMP 10.....	136
R1.5OSMR.....	134	R2OSMR.....	134	RAMP 11.....	136
R1.5OSS.....	135	R2OSS.....	135	RAMP 12.....	136
R1.5OSSMR.....	135	R2OSSMR.....	135	RAMP 13.....	137
R1.25F.....	133	R.5F.....	133	RAMP 14.....	137
R1.25FMR.....	133	R.5FMR.....	133	RR1.....	140
R1.25OS.....	134	R.5OS.....	134	RR1.25FMR.....	141
R1.25OSMR.....	134	R.5OSMR.....	134	RR2.....	140
R1.25OSS.....	135	R.5OSS.....	135	RR12_H.....	141
R1.25OSSMR.....	135	R.5OSSMR.....	135	RVAR1/A.....	137
R1.75F.....	133	R.75F.....	133	RVAR1/AK.....	137
R1.75FMR.....	133	R.75FMR.....	133	RVARIOSS.....	137
R1.75OS.....	134	R.75OS.....	134	SBR1F.....	140
R1.75OSMR.....	134	R.75OSMR.....	134	SBR1FMR.....	140
R1.75OSS.....	135	R.75OSS.....	135	SBR.5F.....	140
R1.75OSSMR.....	135	R.75OSSMR.....	135	SBR.5FMR.....	140
R1F.....	133	RAMP 1.....	136	WING 10_H.....	138
R1FMR.....	133	RAMP 2.....	137	WING 16_H.....	138
R1OS.....	134	RAMP 3.....	136	WING EXT_H.....	138
R1OSMR.....	134	RAMP 4.....	136		
R1OSS.....	135	RAMP 5.....	136		

800-824-3018 | [www.pemko.com](http://www.pemko.com)  
Check the web site for the up-to-date catalog

Copyright © 2015-2023, ASSA ABLOY Accessories and Door Controls Group, Inc., an ASSA ABLOY Group company. All rights reserved.  
Reproduction in whole or in part without the express written permission of ASSA ABLOY Accessories and Door Controls Group, Inc. is prohibited.

**PEMKO**  
**ASSA ABLOY**

Experience a safer  
and more open world

# RAMP ORDERING INFORMATION

## Flush Applications

Example: R 1 F MR AK

Product	Floor Offset Height	Application	Option	Finish
R = Ramp	.5 = 1/2" .75 = 3/4" 1 = 1" 1.25 = 1-1/4" 1.5 = 1-1/2" 1.75 = 1-3/4" 2 = 2" 2.25 = 2-1/4"	F = Flushes out to floor offset	MR = Miter Return (1 pair)	A = Aluminum (mill finish) AK = PemKote™ (skid-resistant surface)

## Offset Applications - 7" Top Plate

Example: R 1 OS MR AK

Product	Floor Offset Height	Application	Option	Finish
R = Ramp	.5 = 1/2" .75 = 3/4" 1 = 1" 1.25 = 1-1/4" 1.5 = 1-1/2" 1.75 = 1-3/4" 2 = 2"	OS = Up & over offset w/ 7" top plate	MR = Miter Return (1 pair)	A = Aluminum (mill finish) AK = PemKote™ (skid-resistant surface)

## Offset Applications - 3 1/2" Top Plate

Example: R 2 OSS MR AK

Product	Floor Offset Height	Application	Option	Finish
R = Ramp	.5 = 1/2" .75 = 3/4" 1 = 1" 1.25 = 1-1/4" 1.5 = 1-1/2" 1.75 = 1-3/4" 2 = 2"	OSS = Up & over offset w/ 3-1/2" top plate	MR = Miter Return (1 pair)	A = Aluminum (mill finish) AK = PemKote™ (skid-resistant surface)



Experience a safer and more open world

800-824-3018 | [www.pemko.com](http://www.pemko.com)  
Check the web site for the up-to-date catalog

Copyright © 2015-2023, ASSA ABLOY Accessories and Door Controls Group, Inc., an ASSA ABLOY Group company. All rights reserved. Reproduction in whole or in part without the express written permission of ASSA ABLOY Accessories and Door Controls Group, Inc. is prohibited.

# MODULAR RAMP THRESHOLD ASSEMBLIES

- Assemblies accommodate 1/2" to 2 1/4" floor offsets in meeting the 1:12 slope requirements of the "Americans with Disabilities Act". Even higher offsets can be accommodated by using the risers, **RAMP13\_** and **RAMP14\_**
- "MR" in a product number denotes that one-pair of miter returns (and extenders, if applicable) is included. Otherwise, we recommend filling and feathering the threshold ends with grout. Do not leave threshold ends open
- Miter Returns are available for offsets up to 2 1/4"

- Assemblies are supplied with #10 stainless steel wood screws. Stainless steel machine screws and expansion shields are available at an extra cost
- Assemblies allow for custom fabrication; please consult Pemko Customer Service
- Assemblies are provided NET length
- Miter returns will add 2 pieces to total components; miter returns with extenders will add 4 pieces to total components

## Flush Applications

### 1/2" Floor Offset



R.5F\_

AVAILABLE FINISHES: **10BE, A, AK, BSP, WSP**

R.5FMR\_ \*\*

ASSEMBLY LENGTH: 6 1/8"

# OF COMPONENTS: 1



PemKote™ is highly recommended for all threshold assemblies, especially exterior conditions where moisture may be present. Only with PemKote™ Non-Slip Coating

### 3/4" Floor Offset



R.75F\_

AVAILABLE FINISHES: **10BE, A, AK, BSP, WSP**

R.75FMR\_ \*\*

ASSEMBLY LENGTH: 9 1/4"

# OF COMPONENTS: 2



### 1" Floor Offset



R1F\_

AVAILABLE FINISHES: **10BE, A, AK, BSP, WSP**

R1FMR\_ \*\*

ASSEMBLY LENGTH: 12 3/8"

# OF COMPONENTS: 2



### 1 1/4" Floor Offset



R1.25F\_

AVAILABLE FINISHES: **10BE, A, AK, BSP, WSP**

R1.25FMR\_ \*\*

ASSEMBLY LENGTH: 15 1/2"

# OF COMPONENTS: 3



### 1 1/2" Floor Offset



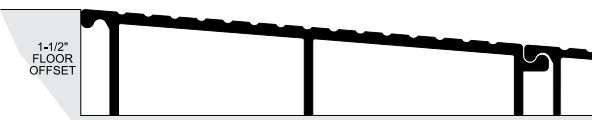
R1.5F\_

AVAILABLE FINISHES: **10BE, A, AK, BSP, WSP**

R1.5FMR\_ \*\*

ASSEMBLY LENGTH: 18 3/8"

# OF COMPONENTS: 3



### 1 3/4" Floor Offset



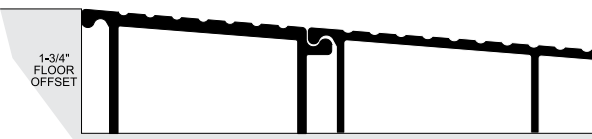
R1.75F\_

AVAILABLE FINISHES: **10BE, A, AK, BSP, WSP**

R1.75FMR\_ \*\*

ASSEMBLY LENGTH: 21 3/4"

# OF COMPONENTS: 4



### 2" Floor Offset



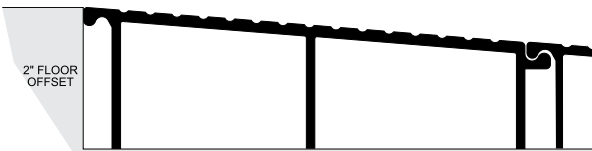
R2F\_

AVAILABLE FINISHES: **10BE, A, AK, BSP, WSP**

R2FMR\_ \*\*

ASSEMBLY LENGTH: 24 7/8"

# OF COMPONENTS: 4



### 2 1/4" Floor Offset



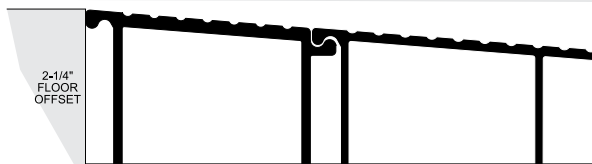
R2.25F\_

AVAILABLE FINISHES: **10BE, A, AK, BSP, WSP**

R2.25FMR\_ \*\*

ASSEMBLY LENGTH: 28"

# OF COMPONENTS: 5



Complete assembly drawings available online

NOTE: Greater offset may be accomplished by using Pemko risers.

\*\*Miter Returns are not ADA Compliant

AVAILABLE FINISHES FOR PRODUCTS SHOWN ON THIS PAGE

**10BE** (Satin Bronze Powder Coated Aluminum) **A** (Mill Finish Aluminum) **AK** (Mill Finish Aluminum with PemKote™ Non-Slip Coating) **BSP** (Black Suede Powder Coated Aluminum) **WSP** (White Suede Powder Coated Aluminum)

800-824-3018 | www.pemko.com

Check the web site for the up-to-date catalog

Copyright © 2015-2023, ASSA ABLOY Accessories and Door Controls Group, Inc., an ASSA ABLOY Group company. All rights reserved. Reproduction in whole or in part without the express written permission of ASSA ABLOY Accessories and Door Controls Group, Inc. is prohibited.

**PEMKO**  
**ASSA ABLOY**

Experience a safer  
and more open world

# OFFSET APPLICATIONS (7" TOP PLATE)

## 1/2" Floor Offset

R.5OS\_ AVAILABLE FINISHES: **10BE, A, AK, BSP, WSP**  
 R.5OSMR\_ \*\* ASSEMBLY LENGTH\*: 16 1/4"  
 # OF COMPONENTS: 3



## 3/4" Floor Offset

R.75OS\_ AVAILABLE FINISHES: **10BE, A, AK, BSP, WSP**  
 R.75OSMR\_ \*\* ASSEMBLY LENGTH\*: 19 3/8"  
 # OF COMPONENTS: 3



## 1" Floor Offset

R1OS\_ AVAILABLE FINISHES: **10BE, A, AK, BSP, WSP**  
 R1OSMR\_ \*\* ASSEMBLY LENGTH\*: 22 1/2"  
 # OF COMPONENTS: 4



## 1 1/4" Floor Offset

R1.25OS\_ AVAILABLE FINISHES: **10BE, A, AK, BSP, WSP**  
 R1.25OSMR\_ \*\* ASSEMBLY LENGTH\*: 25 5/8"  
 # OF COMPONENTS: 4



## 1 1/2" Floor Offset

R1.5OS\_ AVAILABLE FINISHES: **10BE, A, AK, BSP, WSP**  
 R1.5OSMR\_ \*\* ASSEMBLY LENGTH\*: 28 3/4"  
 # OF COMPONENTS: 5



## 1 3/4" Floor Offset

R1.75OS\_ AVAILABLE FINISHES: **10BE, A, AK, BSP, WSP**  
 R1.75OSMR\_ \*\* ASSEMBLY LENGTH\*: 31 7/8"  
 # OF COMPONENTS: 5



## 2" Floor Offset

R2OS\_ AVAILABLE FINISHES: **10BE, A, AK, BSP, WSP**  
 R2OSMR\_ \*\* ASSEMBLY LENGTH\*: 35"  
 # OF COMPONENTS: 6



Complete assembly drawings available online.

NOTE: Greater offset may be accomplished by using Pemko risers.

\*Assembly length includes 7" top plate  
 \*\*Miter Returns are not ADA Compliant



Assembly Shown: **R.5OS**



AVAILABLE FINISHES FOR PRODUCTS SHOWN ON THIS PAGE  
**10BE** (Satin Bronze Powder Coated Aluminum) **A** (Mill Finish Aluminum) **AK** (Mill Finish Aluminum with PemKote™ Non-Slip Coating) **BSP** (Black Suede Powder Coated Aluminum) **WSP** (White Suede Powder Coated Aluminum)

800-824-3018 | www.pemko.com  
 Check the web site for the up-to-date catalog

# SHORT OFFSET APPLICATIONS (3 1/2" TOP PLATE)

## 1/2" Floor Offset

R.5OSS\_  
R.5OSSMR\_ \*\*



AVAILABLE FINISHES: **10BE, A, AK, BSP, WSP**  
ASSEMBLY LENGTH\*: 12 3/4"  
# OF COMPONENTS: 3



## 3/4" Floor Offset

R.75OSS\_  
R.75OSSMR\_ \*\*



AVAILABLE FINISHES: **10BE, A, AK, BSP, WSP**  
ASSEMBLY LENGTH\*: 15 7/8"  
# OF COMPONENTS: 3



## 1" Floor Offset

R1OSS\_  
R1OSSMR\_ \*\*



AVAILABLE FINISHES: **10BE, A, AK, BSP, WSP**  
ASSEMBLY LENGTH\*: 19"  
# OF COMPONENTS: 4



## 1 1/4" Floor Offset

R1.25OSS\_  
R1.25OSSMR\_ \*\*



AVAILABLE FINISHES: **10BE, A, AK, BSP, WSP**  
ASSEMBLY LENGTH\*: 22 1/8"  
# OF COMPONENTS: 4



## 1 1/2" Floor Offset

R1.5OSS\_  
R1.5OSSMR\_ \*\*



AVAILABLE FINISHES: **10BE, A, AK, BSP, WSP**  
ASSEMBLY LENGTH\*: 25 1/4"  
# OF COMPONENTS: 5



## 1 3/4" Floor Offset

R1.75OSS\_  
R1.75OSSMR\_ \*\*



AVAILABLE FINISHES: **10BE, A, AK, BSP, WSP**  
ASSEMBLY LENGTH\*: 28 3/8"  
# OF COMPONENTS: 5



## 2" Floor Offset

R2OSS\_  
R2OSSMR\_ \*\*



AVAILABLE FINISHES: **10BE, A, AK, BSP, WSP**  
ASSEMBLY LENGTH\*: 31 1/2"  
# OF COMPONENTS: 6

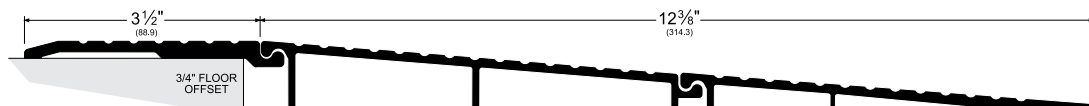


Complete assembly drawings available online.

NOTE: Greater offset may be accomplished by using Pemko risers.

\*Assembly length includes 3 1/2" top plate

\*\*Miter Returns are not ADA Compliant



Assembly Shown: **R.75OSS**

### AVAILABLE FINISHES FOR PRODUCTS SHOWN ON THIS PAGE

**10BE** (Satin Bronze Powder Coated Aluminum) **A** (Mill Finish Aluminum)

**AK** (Mill Finish Aluminum with PemKote™ Non-Slip Coating) **BSP** (Black Suede Powder Coated Aluminum)

**WSP** (White Suede Powder Coated Aluminum)

800-824-3018 | www.pemko.com




Check the web site for the up-to-date catalog

Copyright © 2015-2023, ASSA ABLOY Accessories and Door Controls Group, Inc., an ASSA ABLOY Group company. All rights reserved. Reproduction in whole or in part without the express written permission of ASSA ABLOY Accessories and Door Controls Group, Inc. is prohibited.

**PEMKO**  
**ASSA ABLOY**

Experience a safer  
and more open world

# MODULAR RAMP THRESHOLD COMPONENTS

- Components are generally sold as part of assemblies
- Ramp Assemblies consist of interlocking components, eliminating the need to weld joints. Interlocking ball-joint design allows each component to flex and conform to uneven surfaces
- All assemblies carry the following labels:   

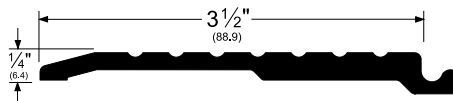
• PemKote™ is highly recommended for all threshold assemblies, especially exterior conditions where moisture may be present

NOTE: The following pages are for component identification only. Do not order from these pages. Order only complete assemblies from pages 140 to 142

## TOP PLATES

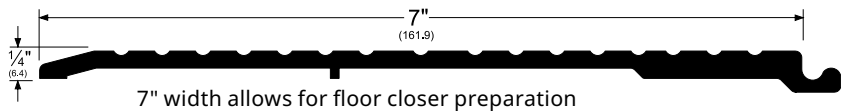
### RAMP8\_

Short top plate  
AVAILABLE FINISHES: **10BE, A, AK, BSP, WSP**

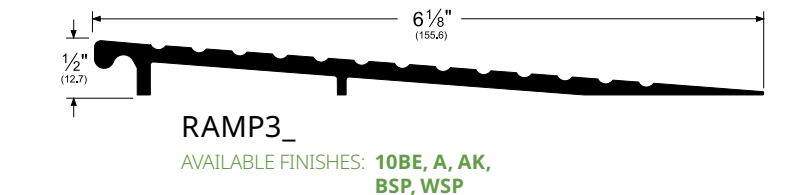
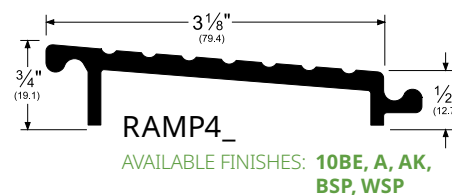
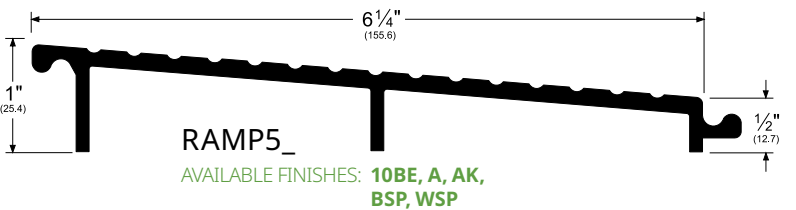
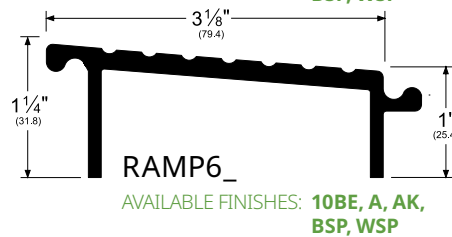
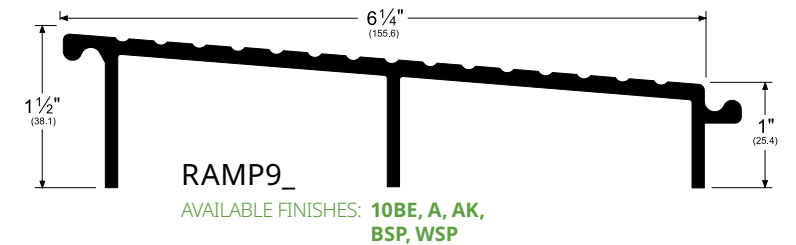
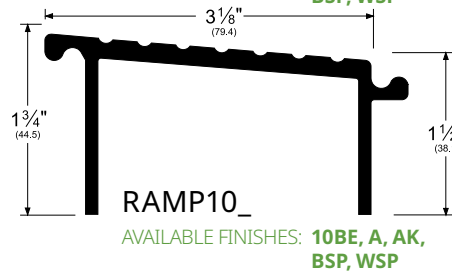
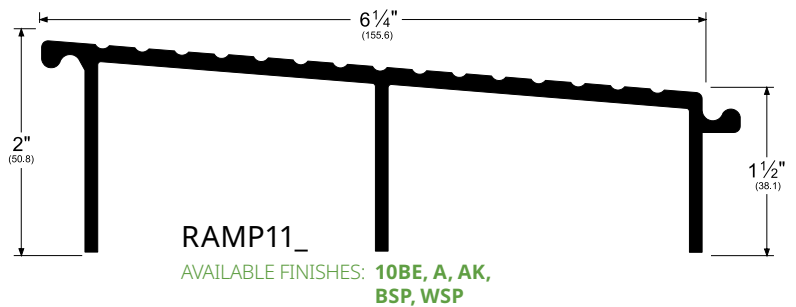
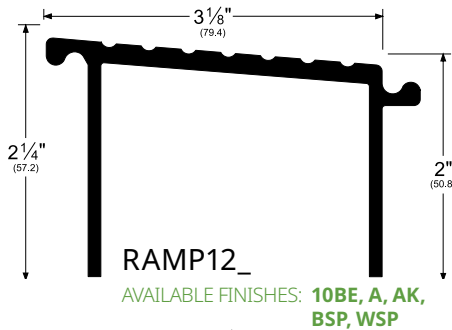


### RAMP1\_

Top plate  
AVAILABLE FINISHES: **10BE, A, AK, BSP, WSP**



## BRIDGES



NOTE: Products shown in this section are not drawn to scale.

AVAILABLE FINISHES FOR PRODUCTS SHOWN ON THIS PAGE

**10BE** (Satin Bronze Powder Coated Aluminum) **A** (Mill Finish Aluminum) **AK** (Mill Finish Aluminum with PemKote™ Non-Slip Coating) **BSP** (Black Suede Powder Coated Aluminum) **WSP** (White Suede Powder Coated Aluminum)



Experience a safer and more open world

800-824-3018 | [www.pemko.com](http://www.pemko.com)  
Check the web site for the up-to-date catalog

Copyright © 2015-2023, ASSA ABLOY Accessories and Door Controls Group, Inc., an ASSA ABLOY Group company. All rights reserved. Reproduction in whole or in part without the express written permission of ASSA ABLOY Accessories and Door Controls Group, Inc. is prohibited.



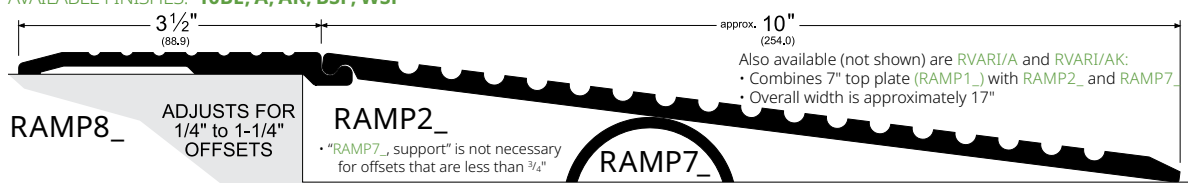
## MODULAR RAMP THRESHOLD ASSEMBLIES - VARIABLES

- Use a "Variable" component to accommodate offsets from 1/2" to 1 1/4". These meet the 1:8 maximum slope allowance (ADA) for existing buildings. For new construction, this assembly is only ADA compliant in certain applications as outlined by the current ADA standard
- May require a variance from some state building codes, even though ADA compliant
- Ideal for use in cross traffic corridors where a minimal ramp projection may be required and a steeper slope may be allowed. Supplied with #10 stainless steel sheet metal screws. Stainless steel machine screws and expansion shields are available at an extra cost
- Miter returns are not available due to the variable angle of this ramp. Please fill and feather the threshold ends. Do not leave threshold ends open
- This variable ramp is supplied un-drilled from Pemko. Due to the variance in the angle, it must be drilled in the field. For proper installation, it requires the **RAMP7\_** to be placed under **RAMP2\_** after the assembly is in place, then must be match drilled and anchored through both components
- PemKote™ is highly recommended for all ramp threshold assemblies especially exterior conditions where moisture may be present
- In addition to ADA compliance, outlined previously, all assemblies carry the following labels:



### RVARIOSS\_

AVAILABLE FINISHES: **10BE, A, AK, BSP, WSP**

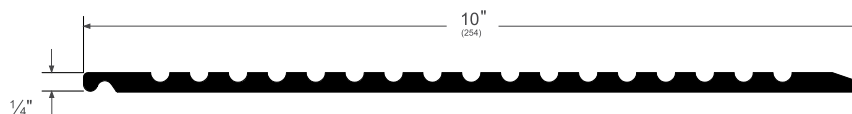


## VARIABLE RAMP COMPONENTS

### RAMP2\_

variable

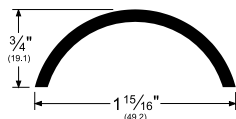
AVAILABLE FINISHES: **10BE, A, AK, BSP, WSP**



### RAMP7\_

support for variable

AVAILABLE FINISHES: **A**

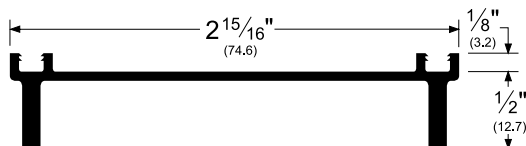


## RISERS FOR MODULAR RAMPS

- Risers easily attach to the legs of Pemko's Modular Ramp Systems. Each adds 1/2" in height to accommodate offsets greater than 2 1/4"
- Contact Pemko Customer Service for information on stacking risers to reach desired height

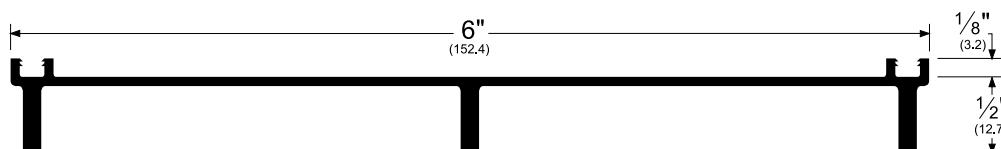
### RAMP13\_

AVAILABLE FINISHES: **A**



### RAMP14\_

AVAILABLE FINISHES: **A**



NOTE: Products shown in this section are not drawn to scale.

AVAILABLE FINISHES FOR PRODUCTS SHOWN ON THIS PAGE

**10BE** (Satin Bronze Powder Coated Aluminum) **A** (Mill Finish Aluminum) **AK** (Mill Finish Aluminum with PemKote™ Non-Slip Coating) **BSP** (Black Suede Powder Coated Aluminum) **WSP** (White Suede Powder Coated Aluminum)

800-824-3018 | [www.pemko.com](http://www.pemko.com)

Check the web site for the up-to-date catalog

Copyright © 2015-2023, ASSA ABLOY Accessories and Door Controls Group, Inc., an ASSA ABLOY Group company. All rights reserved. Reproduction in whole or in part without the express written permission of ASSA ABLOY Accessories and Door Controls Group, Inc. is prohibited.

**PEMKO**  
**ASSA ABLOY**

Experience a safer  
and more open world

# MITER RETURNS FOR ALL MODULAR RAMP THRESHOLDS

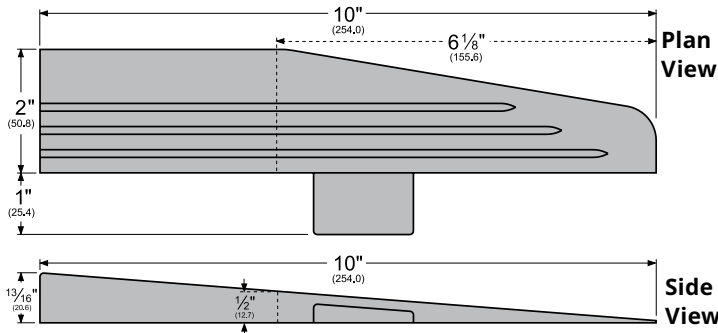
- Cast aluminum “wings” fit into end of modular ramp threshold assembly and are fastened to ramp mid sections with self-tapping machine screws
- Neat, compact, and tight-fitting design replaces former mitering methods
- Miter Returns are match-drilled with each assembly
- Miter Returns are not “ADA” compliant
- Miter Returns are handed from the low end and are determined by which side of the ramp it fits into



## WING10\_H\_

AVAILABLE FINISHES: **A, AK**

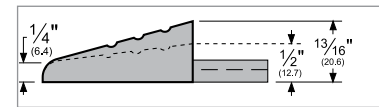
- WING10 can be trimmed to fit ramp assembly (dotted lines show cut down for use with R.5FMR\_)



## WING10RH\_

(right-hand shown)

End View

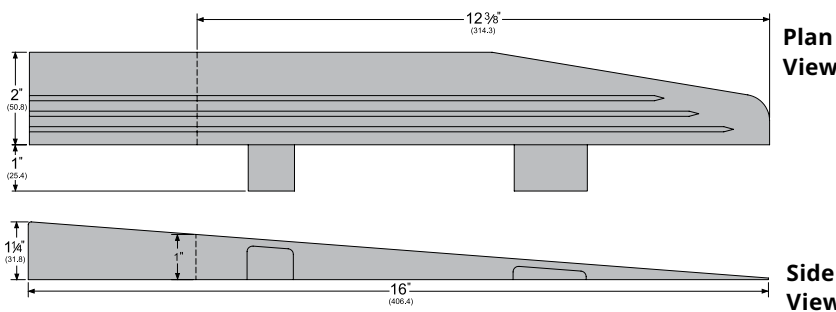


View from high-end

## WING16\_H\_

AVAILABLE FINISHES: **A, AK**

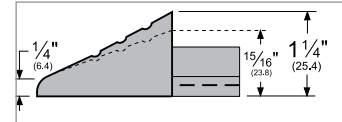
- WING16 can be trimmed to fit ramp assembly (dotted lines show cut down for use with R1FMR\_)



## WING16RH\_

(right-hand shown)

End View

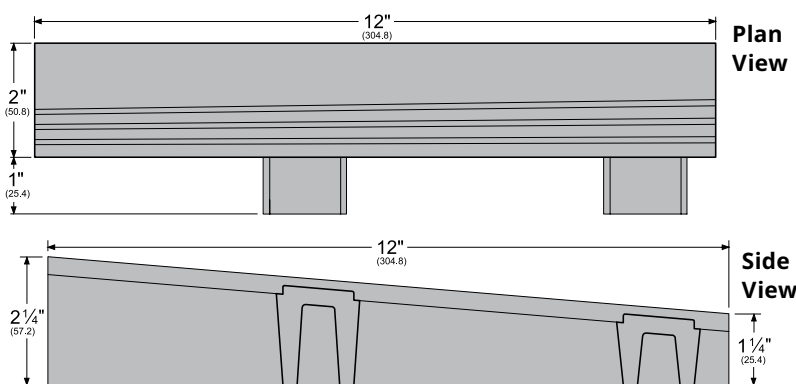


View from high-end

## WINGEXT\_H\_

AVAILABLE FINISHES: **A, AK**

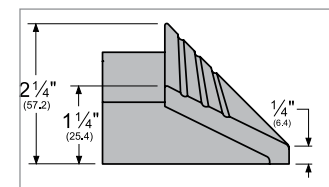
- WINGEXT are included with assemblies to completely fill ends for 2" offset or 2 1/4" flush conditions
- WINGEXT works in conjunction with WING16 for these higher offset conditions



## WINGEXTRH\_

(right-hand shown)

End View



View from high-end

See flyer on the Literature page of [www.assaabloydooraccessories.us](http://www.assaabloydooraccessories.us) for WING cut-down chart.



Experience a safer and more open world

AVAILABLE FINISHES FOR PRODUCTS SHOWN ON THIS PAGE

**A** (Mill Finish Aluminum) **AK** (Mill Finish Aluminum with PemKote™ Non-Slip Coating)

800-824-3018 | [www.pemko.com](http://www.pemko.com)

Check the web site for the up-to-date catalog

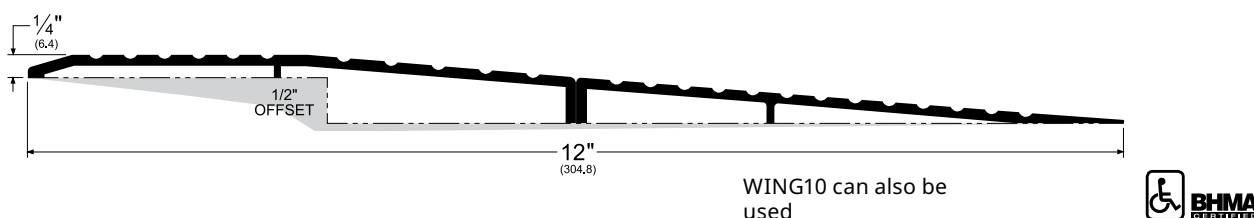
Copyright © 2015-2023, ASSA ABLOY Accessories and Door Controls Group, Inc., an ASSA ABLOY Group company. All rights reserved. Reproduction in whole or in part without the express written permission of ASSA ABLOY Accessories and Door Controls Group, Inc. is prohibited.

## BARRIER-FREE RAMP THRESHOLDS

- The modular ramp thresholds are an improvement over the **257/259** however, **257/259** will remain available for special requirements
- Use **257\_** and **259\_** together, or use **257\_** with an abutted 1:12 concrete slope
- When used as a cover plate assembly (see Commercial Thresholds section), a longer spindle may be required
- Ramps on this page are not ADA compliant when used at a door opening
- The **257\_** is not ADA compliant when used alone.
- PemKote™ is highly recommended for all threshold assemblies, especially exterior conditions where moisture may be present

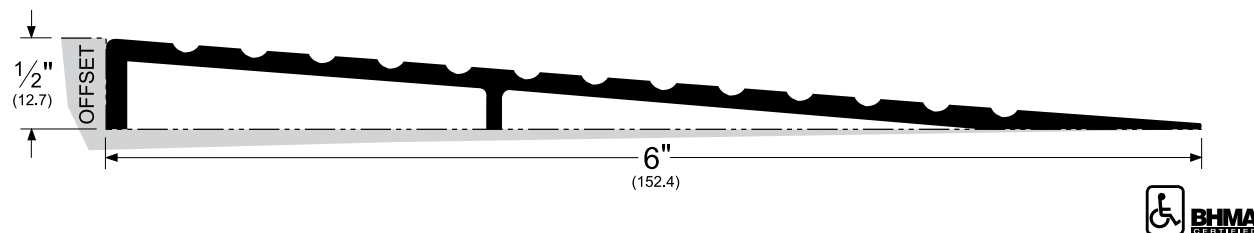
### 257x259\_

AVAILABLE FINISHES: **10BE, A, AK, BSP, WSP**



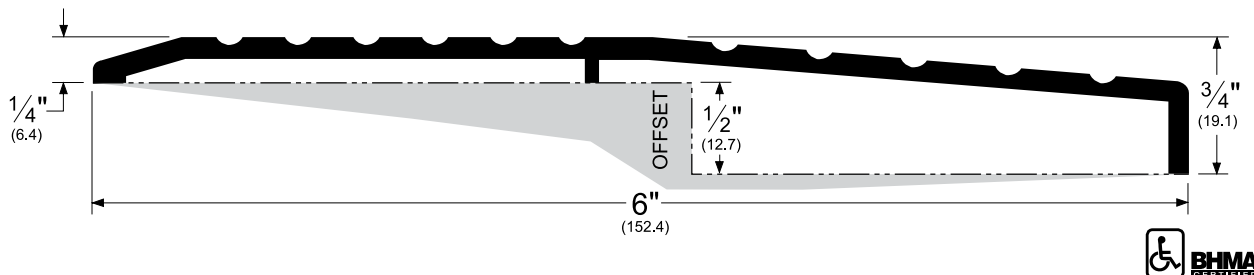
### 259\_

AVAILABLE FINISHES: **10BE, A, AK, BSP, WSP**



### 257\_

AVAILABLE FINISHES: **10BE, A, AK, BSP, WSP**



NOTE: Products shown in this section are not drawn to scale.

AVAILABLE FINISHES FOR PRODUCTS SHOWN ON THIS PAGE

**10BE** (Satin Bronze Powder Coated Aluminum) **A** (Mill Finish Aluminum)

**AK** (Mill Finish Aluminum with PemKote™ Non-Slip Coating) **BSP** (Black Suede Powder Coated Aluminum)

**WSP** (White Suede Powder Coated Aluminum)

800-824-3018 | [www.pemko.com](http://www.pemko.com)

Check the web site for the up-to-date catalog

Copyright © 2015-2023, ASSA ABLOY Accessories and Door Controls Group, Inc., an ASSA ABLOY Group company. All rights reserved. Reproduction in whole or in part without the express written permission of ASSA ABLOY Accessories and Door Controls Group, Inc. is prohibited.

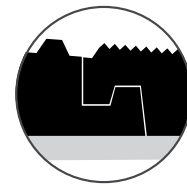
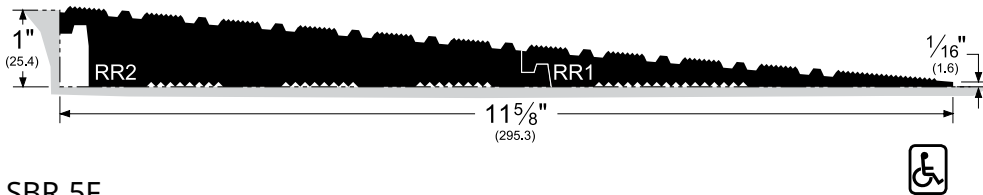
**PEMKO**  
**ASSA ABLOY**

Experience a safer  
and more open world

# FIRE RETARDANT AND STYRENE BUTADIENE RUBBER RAMP THRESHOLDS

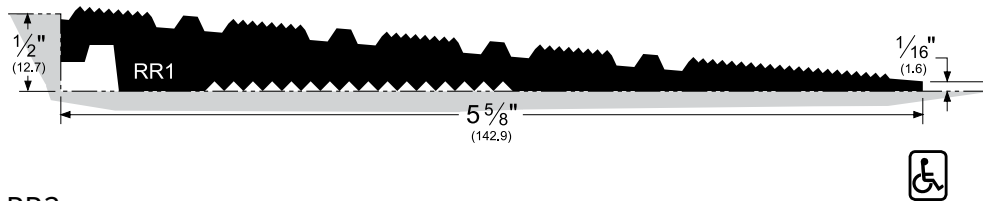
- Rubber ramps meet the requirements of **ADAAG-2010; IBC/ANSI A117.1; and California Title 24, Part 2**
- Styrene butadiene rubber ramps are weather, ozone, abrasion, and impact resistant; long-lasting and fire retardant
- Rubber ramps are sold in one foot increments up to 15-foot lengths
- Rubber ramps can be butted together for longer lengths
- Rubber ramps are cut square on each end but are available with molded rubber miter returns. To receive a pair of miter returns, add **"MR"** to the part number (example: **SBR.5FMR**)
- Rubber ramps have a superior grip, anti-slip surface and a **"no bump"** tapered lead edge. Rubber ramps are classified by Underwriters Laboratories, Inc.,<sup>®</sup> as a skid-resistant floor surface per **UL standard for safety, UL410**. Rubber ramps also meet the requirements of **ASTM D 2047** and **Federal Specification P-F-430C**
- Rubber ramps are easy to install on most surfaces by using a construction adhesive. Mechanical fasteners are not required and not recommended
- Rubber ramps are also portable. For temporary applications, an assembly stays in place by its sheer weight and can be removed from one opening and placed at another opening
- Use an adhesive (caulk) suitable for use with plastics and your flooring material for proper installation and adhesion
- Rubber ramps are available for 1/2" and 1" offset heights
- Rubber ramps can be cross-cut to length or ripped to a custom offset height using a table or radial arm saw with a carbide-tipped blade. These modifications must be made in the field

SBR1F  
SBR1FMR \*\*

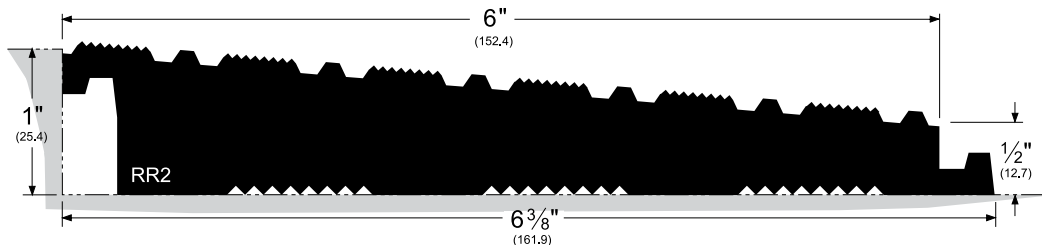


Assembly consists of two inter-locking components.

SBR.5F  
SBR.5FMR \*\*  
RR1



RR2



This component (RR2) is not ADA compliant when used by itself.

NOTE: Products shown in this section are not drawn to scale.

\*\* = Miter Returns are not ADA compliant



Experience a safer and more open world

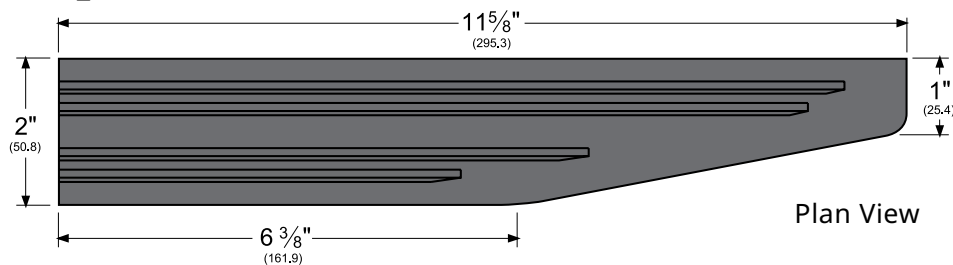
800-824-3018 | [www.pemko.com](http://www.pemko.com)  
Check the web site for the up-to-date catalog

Copyright © 2015-2023, ASSA ABLOY Accessories and Door Controls Group, Inc., an ASSA ABLOY Group company. All rights reserved. Reproduction in whole or in part without the express written permission of ASSA ABLOY Accessories and Door Controls Group, Inc. is prohibited.

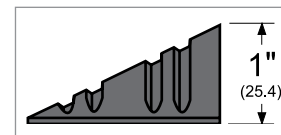
## RUBBER RAMP MITER RETURNS

- Made from molded styrene butadiene rubber
- Glue miter returns to each end using a suitable adhesive. Avoid using Liquid Nails.
- Miter Returns are supplied in pairs: one left-hand (**RR12LH**) and one right-hand (**RR12RH**)
- If only one miter return is required, specify the handing

RR12\_H



End View



Shown as viewed from the low end.



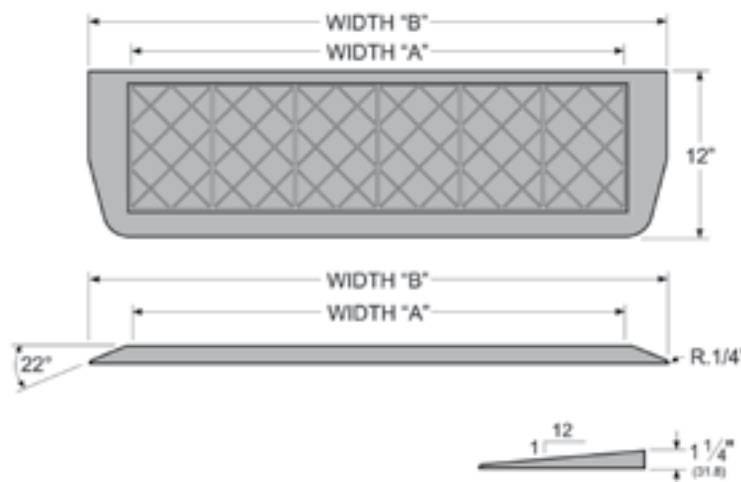
## RECYCLED RUBBER RAMP ASSEMBLY

- ADA Compliant, based on application
- Meets: **UL410, ASTM D2047, Federal Specification P-F-430C**
- Recycled Rubber Ramp Assemblies meet **IBC/ANSI A117.1-2013**
- Made from #20 mesh minus crumb rubber (with urethane binders) reclaimed from 100% recycled rubber automotive tires
- Use an adhesive (caulk) suitable for use with plastics and your flooring material for proper installation and adhesion. Avoid Liquid Nails with Rubber Ramps
- Using ordinary tools, trim to fit your application
- Can be ripped for offsets less than 1 1/4"
- Plane bottom surface of ramp to accommodate irregular surface conditions
- Miter returns are molded into the design of the Recycled Rubber Ramp
- 36" and 60" ramps are supplied as one (1) piece assemblies
- 48" and 72" ramps are supplied as two (2) piece assemblies
- Dimensions are nominal and can vary by as much as one inch. This is acceptable as long as the two halves match

### Ordering Chart

Other sizes are available, please contact Pemko Customer Service.

PART #	WIDTH "A" (door opening)	WIDTH "B" (total width)
RR1.25FMR36	36"	41"
RR1.25FMR48	48"	53"
RR1.25FMR60	60"	65"
RR1.25FMR72	72"	77"
RR1.25FMR96	96"	101"



**PEMKO**  
**ASSA ABLOY**

Experience a safer  
and more open world

800-824-3018 | www.pemko.com

Check the web site for the up-to-date catalog

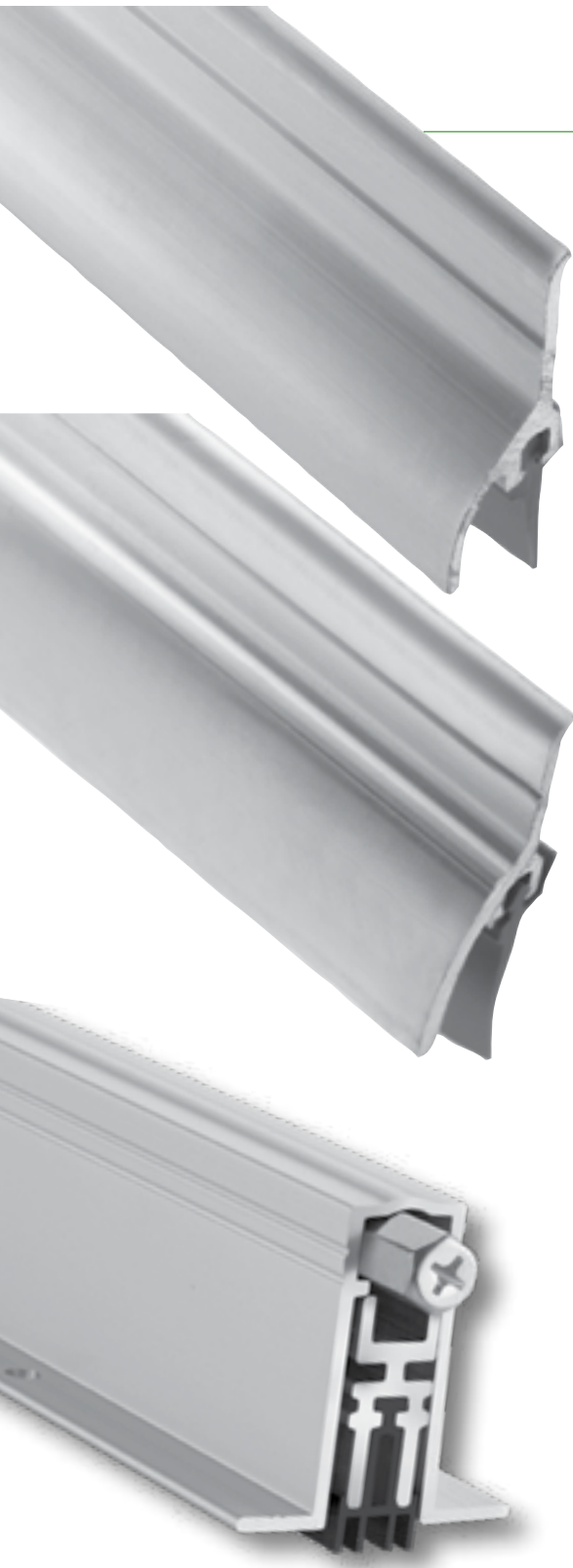
Copyright © 2015-2023, ASSA ABLOY Accessories and Door Controls Group, Inc., an ASSA ABLOY Group company. All rights reserved. Reproduction in whole or in part without the express written permission of ASSA ABLOY Accessories and Door Controls Group, Inc. is prohibited.



Experience a safer  
and more open world

800-824-3018 | [www.pemko.com](http://www.pemko.com)  
Check the web site for the up-to-date catalog

Copyright © 2015-2023, ASSA ABLOY Accessories and Door Controls Group, Inc., an ASSA ABLOY Group company. All rights reserved.  
Reproduction in whole or in part without the express written permission of ASSA ABLOY Accessories and Door Controls Group, Inc. is prohibited.



# PEMKO DOOR BOTTOMS

## CONTENTS:

Automatic Door Bottoms .....	144
Residential Automatic Door Bottoms .....	148
End Plates for Automatic Door Bottoms.....	149
Excessive Gap Door Bottom Solutions.....	150
Excessive Gap Door Top Solutions.....	150
Eco-V™ Door Shoes.....	150
Door Shoes.....	151
Thermally Broken Door Shoe.....	153
Door Sweeps for Hollow Metal Doors.....	154
Fabrication Options for Door Shoes.....	154
Door Bottom Sweeps.....	155
Stainless Steel Door Bottom Sweeps.....	158
Specialty Door Bottoms.....	159
Door Top Weatherstrip.....	159
Heavy Duty Door Bumper.....	159

## INDEX:

PRODUCT	PAGE	PRODUCT	PAGE	PRODUCT	PAGE
56.....	156	344.....	159	18061.....	157
57.....	156	345.....	156	18100.....	157
68.....	159	345.....	157	18137.....	157
196.....	159	346.....	159	90062.....	157
209.....	151	347.....	159	90100.....	157
210.....	151	368.....	155	293100.....	157
211.....	151	405.....	148	E199.....	159
215.....	151	411.....	147	EGA305xG.....	150
216.....	151	412.....	146	EV80.....	150
216_FG.....	153	420.....	147	K411.....	149
217.....	151	434.....	147	K412.....	149
221.....	153	2113.....	152	K420.....	149
222.....	154	2170.....	150	K435.....	149
223.....	152	2173.....	152	K435-PREM.....	149
234.....	151	2211.....	153	K436.....	149
307.....	156	2212.....	153	K436SM.....	149
308.....	156	2221.....	154	K4133.....	149
313.....	159	2343.....	152	K4301.....	149
314.....	159	3151.....	155	SA1.....	148
315.....	155	3151SS.....	158	SA2.....	148
315SS.....	158	3452.....	156	SA3.....	148
317.....	159	3452.....	157	SA4.....	148
321.....	155	3692.....	152	STC411.....	145
321SS.....	158	4131.....	146	STC4131.....	145
325XGSS.....	150	4301.....	146	XG2212.....	150

800-824-3018 | [www.pemko.com](http://www.pemko.com)  
 Check the web site for the up-to-date catalog

Copyright © 2015-2023, ASSA ABLOY Accessories and Door Controls Group, Inc., an ASSA ABLOY Group company. All rights reserved.  
 Reproduction in whole or in part without the express written permission of ASSA ABLOY Accessories and Door Controls Group, Inc. is prohibited.

**PEMKO**  
**ASSA ABLOY**

Experience a safer  
 and more open world

## AUTOMATIC DOOR BOTTOMS

- All Pemko Automatic Door Bottoms, 24" and up, can be manufactured for field alteration. Please specify when ordering: Allow 2" for field trimming
- Overall sizes range from 12" to 72". Sizes between 12" and 23.9" will be supplied at absolute NET length and will have no room for field trimming.
- 0.0625" Lead-lining available upon request; contact Pemko Customer Service for options on profiles
- Provided with end plate kits (except 420, SA, and 405V models) which include wood screws. Tek screws are available for mounting to hollow metal doors.
- See Planet Automatic Door Bottoms for additional models made by ASSA ABLOY Schweisse and offered in the U.S.A. by Pemko.

## IMPORTANT DROP BAR INFORMATION

Drop seals of all types are designed to close a uniform size gap. Pemko drop seals can seal up to  $\frac{3}{4}$ " gaps (420 model can seal up to  $\frac{1}{2}$ " gap), provided the gap is consistent. Gaps that start at less than  $\frac{3}{4}$ " and then grow cannot be closed. The drop seal utilizes a straight aluminum extrusion so it cannot close an inconsistent gap. Plunger extension to drop dimension is 1:1 (i.e., a  $\frac{1}{4}$ " extension on the plunger will equal a  $\frac{1}{4}$ " drop of the drop bar).

## DROP-BAR SEAL ACTUATION

The drop bar mechanism prevents the seal from skidding along the floor/threshold while the door is being closed.



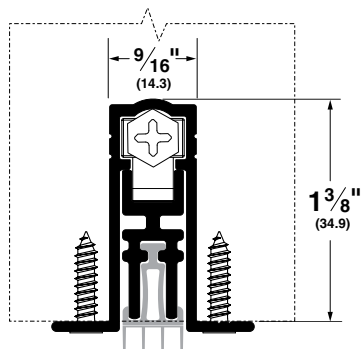


## AUTOMATIC DOOR BOTTOMS - ACOUSTIC

- Non-handed
- Recommended gap under door is  $\frac{3}{8}$ " for optimal acoustic performance; max drop is  $\frac{3}{4}$ "
- Internal mechanism allows bar to accommodate slight imperfections in floor materials
- STC411 end plate kit is K435; for doors narrower than 1- $\frac{3}{4}$ ", specify end plate kit K411
- STC4131 end plate kit is K4133C for Clear Anodized and K4133D for Dark Bronze Anodized

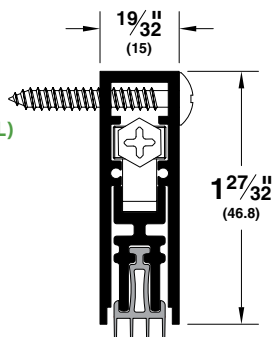
### STC411\_PK

AVAILABLE FINISHES: **A**  
 REPLACEMENT INSERT:  
**PK4111 (BL)**  
 ANSI: **R3G324, R3G325**



### STC4131\_PK

AVAILABLE FINISHES:  
**10BE, BSP, C, D, WSP**  
 REPLACEMENT INSERT: **PK4111 (BL)**  
 ANSI: **R3G334, R3G335, R3G344, R3G345**



NOTE: STC411\_PK Automatic Door Bottom is now included in PEMKOSTCSET-1 (A through E). Please see Acoustic Products section for more information.

NOTE: Products shown in this section may not be drawn to scale.

AVAILABLE FINISHES FOR PRODUCTS SHOWN ON THIS PAGE

**10BE** (Satin Bronze Powder Coated Aluminum) **A** (Mill Finish Aluminum) **BSP** (Black Suede Powder Coated Aluminum) **C** (Clear Anodized) **D** (Dark Bronze Anodized) **WSP** (White Suede Powder Coated Aluminum)

800-824-3018 | [www.pemko.com](http://www.pemko.com)

Check the web site for the up-to-date catalog

Copyright © 2015-2023, ASSA ABLOY Accessories and Door Controls Group, Inc., an ASSA ABLOY Group company. All rights reserved. Reproduction in whole or in part without the express written permission of ASSA ABLOY Accessories and Door Controls Group, Inc. is prohibited.

**PEMKO**  
**ASSA ABLOY**

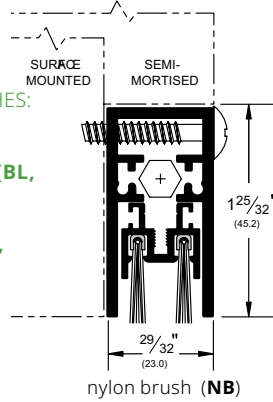
Experience a safer  
 and more open world

# AUTOMATIC DOOR BOTTOMS - SURFACE AND SEMI-MORTISE MODELS

- Specify if the Automatic Door Bottom is for a semi-mortise application so that shorter screws can be provided
- Recommended gap under door is 1/2," maximum drop is 3/4"
- 4301 end plate kit is K436 for surface mounted applications and K436SM for semi-mortised applications
- 4131 end plate kit is K4133
- 412 end plate kit is K412R1

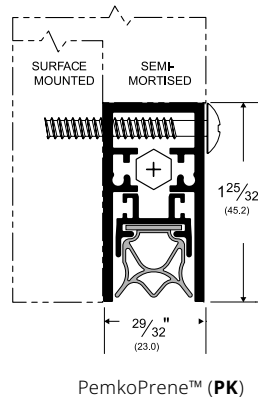
## 4301\_NBL

AVAILABLE FINISHES:  
**BSP, C, D**  
 REPLACEMENT INSERT:  
**P516062 (BL, GR, W)**  
 ANSI: **R3A334, R3A335, R3A344, R3A345**



## 4301\_PKL

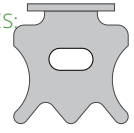
AVAILABLE FINISHES:  
**BSP, C, D**  
 REPLACEMENT INSERT:  
**PK4304 (BL)**  
 ANSI: **R3G334, R3G335, R3G344, R3G345**



### Alternate Insert For 4301

#### 4301\_RL

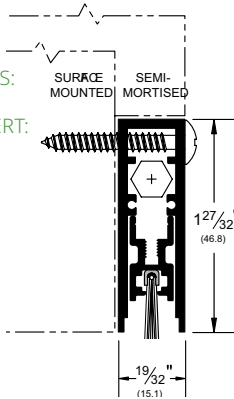
AVAILABLE FINISHES:  
**BSP, C, D**  
 REPLACEMENT INSERT:  
**E4303 (BL)**  
 ANSI: **R3G334, R3G335, R3G344, R3G345**



sponge EPDM (R)

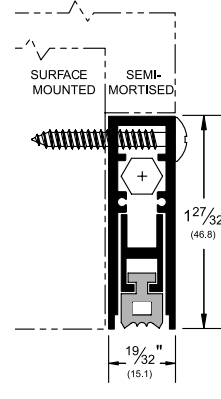
## 4131\_NBL

AVAILABLE FINISHES:  
**BSP, C, D, SN**  
 REPLACEMENT INSERT:  
**P516041 (BL, GR)**  
 ANSI: **R3A334, R3A335, R3A344, R3A345**



## 4131\_RL

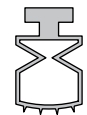
AVAILABLE FINISHES:  
**BSP, C, D, SN**  
 REPLACEMENT INSERT:  
**E7 (BL)**  
 ANSI: **R3G334, R3G335, R3G344, R3G345**



### Alternate Inserts For 4131

#### 4131\_PKL

AVAILABLE FINISHES:  
**BSP, C, D, SN**  
 REPLACEMENT INSERT:  
**PK4132 (BL)**  
 ANSI: **R3G334, R3G335, R3G344, R3G345**



PemkoPrene™ (PK)

#### 4131\_SL

AVAILABLE FINISHES:  
**BSP, C, D, SN**  
 REPLACEMENT INSERT:  
**SR6 (BL)**  
 ANSI: **R3E334, R3E335, R3E344, R3E345**

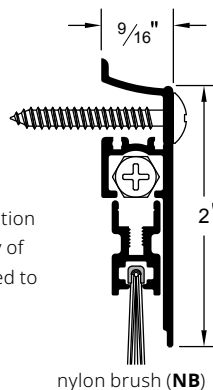


sponge silicone (S)

## 412\_NBL

AVAILABLE FINISHES:  
**B, BSP, C, D, S**  
 REPLACEMENT INSERT:  
**P516041 (BL, GR)**  
 ANSI: **R3A334, R3A335**

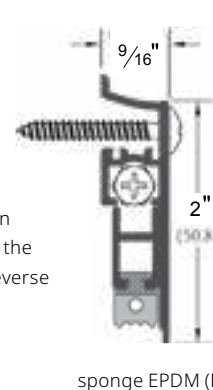
- Surface mounted application
- Handed and disassembly of the mechanism is required to reverse the hand



## 412\_RL

AVAILABLE FINISHES:  
**B, BSP, C, D, S**  
 REPLACEMENT INSERT:  
**E7 (BL)**  
 ANSI: **R3G334, R3G335**

- Surface mounted application
- Handed and disassembly of the mechanism is required to reverse the hand



### Alternate Inserts For 412

#### 412\_SL

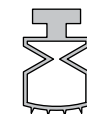
AVAILABLE FINISHES:  
**B, BSP, C, D, S**  
 REPLACEMENT INSERT:  
**SR6 (BL)**  
 ANSI: **R3E334, R3E335**



sponge silicone (S)

#### 412\_PKL

AVAILABLE FINISHES:  
**B, BSP, C, D, S**  
 REPLACEMENT INSERT:  
**PK4132 (BL)**  
 ANSI: **R3G334, R3G335**



PemkoPrene™ (PK)

All above products



NOTE: Products shown in this section may not be drawn to scale.

AVAILABLE FINISHES FOR PRODUCTS SHOWN ON THIS PAGE

**B** (Cladded Brass Shell) **BSP** (Black Suede Powder Coated Aluminum) **C** (Clear Anodized)  
**D** (Dark Bronze Anodized) **S** (Cladded Stainless Steel) **SN** (Satin Nickel Anodized)

**PEMKO**  
**ASSA ABLOY**

Experience a safer  
 and more open world

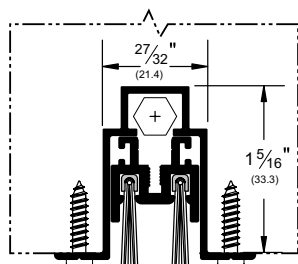
800-824-3018 | www.pemko.com  
 Check the web site for the up-to-date catalog  
 Copyright © 2015-2023, ASSA ABLOY Accessories and Door Controls Group, Inc., an ASSA ABLOY Group company. All rights reserved.  
 Reproduction in whole or in part without the express written permission of ASSA ABLOY Accessories and Door Controls Group, Inc. is prohibited.

# AUTOMATIC DOOR BOTTOMS - FULL-MORTISE MODELS

- Recommended drop is 1/2"; maximum drop is 3/4", except where noted
- 411 and 434 end plate kit is K435. When using 411 model on doors narrower than 1 3/4", specify end plate kit K411
- 420 is used on hollow metal doors and does not come with end plates; requires a hole for the plunger to extend through in the hinge side door edge.

## 434\_NBL

AVAILABLE FINISH: **A**  
 REPLACEMENT INSERT: **P516062 (BL, GR, W)**  
 ANSI: **R3A324, R3A325**

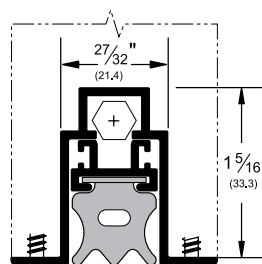


nylon brush (NB)



## 434\_RL

AVAILABLE FINISH: **A**  
 REPLACEMENT INSERT: **E4303 (BL)**  
 ANSI: **R3G324, R3G325**

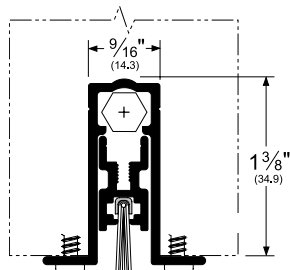


sponge EPDM (R)



## 411\_NBL

AVAILABLE FINISH: **A**  
 REPLACEMENT INSERT: **P516041 (BL, GR)**  
 ANSI: **R3A324, R3A325**

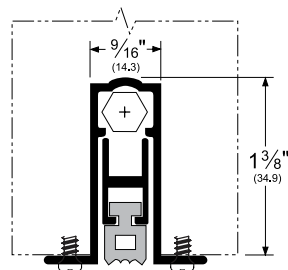


nylon brush (NB)



## 411\_RL

AVAILABLE FINISH: **A**  
 REPLACEMENT INSERT: **E7 (BL)**  
 ANSI: **R3G324, R3G325**



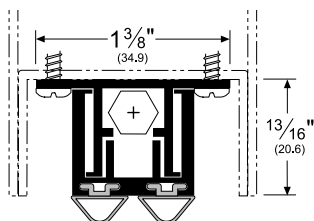
sponge EPDM (R)



## 420\_PKL

AVAILABLE FINISH: **A**  
 REPLACEMENT INSERT: **S4 (BL, GR)**  
 ANSI: **R3G324, R3G325**

- For hollow metal doors maximum drop is 1/2"
- Recommended drop is 3/8"

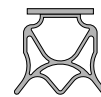


PemkoPrene™ (PK)



## Alternate Inserts For 434 434\_PKL

AVAILABLE FINISH: **A**  
 REPLACEMENT INSERT: **PK4304 (BL)**  
 ANSI: **R3G324, R3G325**



PemkoPrene™ (PK)



## Alternate Inserts For 411 411\_PKL

AVAILABLE FINISH: **A**  
 REPLACEMENT INSERT: **PK4132 (BL)**  
 ANSI: **R3G324, R3G325**



PemkoPrene™ (PK)



## 411\_SL

AVAILABLE FINISHES: **A**  
 REPLACEMENT INSERT: **SR6 (BL)**  
 ANSI: **R3E324, R3E325**



sponge silicone (S)



## Alternate Inserts For 420 420\_VL

AVAILABLE FINISH: **A**  
 REPLACEMENT INSERT: **EV41 (BL, GR, W)**



Eco-V™ (V)



## 420\_SL

AVAILABLE FINISH: **A**  
 REPLACEMENT INSERT: **S4 (BL, GR)**  
 ANSI: **R3G324, R3G325**



silicone (S)



NOTE: Products shown in this section may not be drawn to scale.

AVAILABLE FINISHES FOR PRODUCTS SHOWN ON THIS PAGE  
**A** (Mill Finish Aluminum)

800-824-3018 | www.pemko.com

Check the web site for the up-to-date catalog

Copyright © 2015-2023, ASSA ABLOY Accessories and Door Controls Group, Inc., an ASSA ABLOY Group company. All rights reserved. Reproduction in whole or in part without the express written permission of ASSA ABLOY Accessories and Door Controls Group, Inc. is prohibited.

**PEMKO**  
**ASSA ABLOY**

Experience a safer  
 and more open world

# RESIDENTIAL AUTOMATIC DOOR BOTTOMS

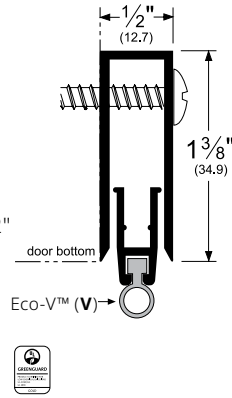
## SA1\_, SA2\_, SA3\_, SA4\_

AVAILABLE FINISHES: **A** (no finish selection), **D**

AVAILABLE LENGTHS: **28", 32", 36", 42"**

REPLACEMENT INSERT: **EV5 (BL)**

- Surface type for wood doors
- 1/2" maximum drop
- Can be trimmed down by as much as 2"
- Non-handed
- End plates are not provided

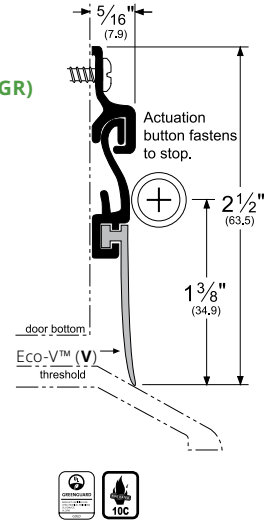
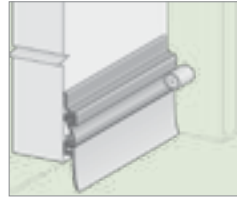


## 405\_V

AVAILABLE FINISHES: **C, D, PW**

REPLACEMENT INSERT: **EV43 (BL, GR)**

- Spring loaded door bottom sweep
- Available in 36" length only
- May be cut down to 24" minimum length



NOTE: Products shown in this section may not be drawn to scale.

AVAILABLE FINISHES FOR PRODUCTS SHOWN ON THIS PAGE

**A** (Mill Finish Aluminum) **C** (Clear Anodized)

**D** (Dark Bronze Anodized) **PW** (Painted White)

**PEMKO**  
**ASSA ABLOY**

Experience a safer  
and more open world

800-824-3018 | [www.pemko.com](http://www.pemko.com)

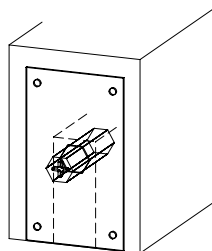
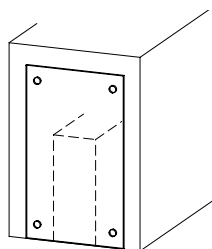
Check the web site for the up-to-date catalog

Copyright © 2015-2023, ASSA ABLOY Accessories and Door Controls Group, Inc., an ASSA ABLOY Group company. All rights reserved. Reproduction in whole or in part without the express written permission of ASSA ABLOY Accessories and Door Controls Group, Inc. is prohibited.

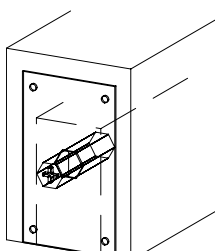
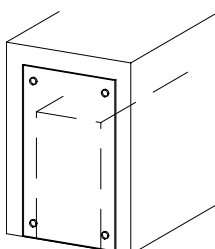
## END PLATES FOR AUTOMATIC DOOR BOTTOMS

- Metal end plates are provided to protect the mechanism and to give a clean, aesthetic appearance. Do not tighten with power tool
- Plunger end plate prevents the plunger adjustment from rotating
- Necessary fasteners are provided with End Plate kits; color corresponds with case color
- All end plates are black in color

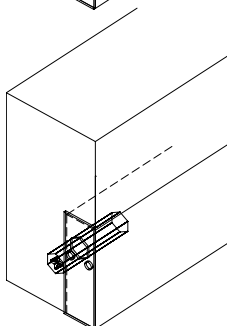
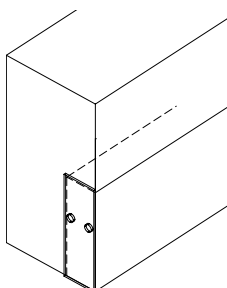
### 411 and STC411® End Plates Mortise



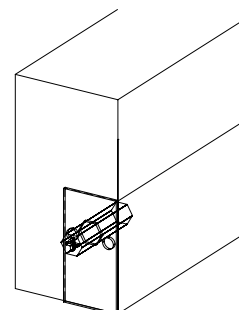
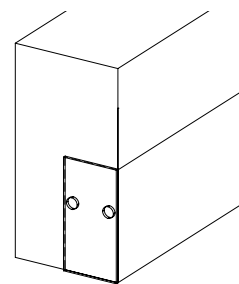
### 434 End Plates Mortise



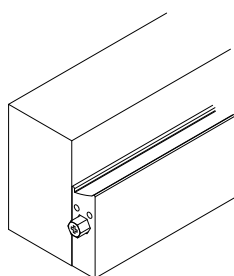
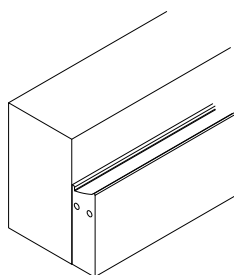
### 4131 and STC4131® Auto Door Bottom Semi-Mortise\*



### 4301 Auto Door Bottom Semi-Mortise\*



### 412 New Style End Plates



#### Automatic Door Bottom Kits

K411	Optional Kit for 411 and STC411 Door Bottom, 1 3/8" Doors
K412R1C	Kit for new style 412 Door Bottom - Clear
K412R1D	Kit for new style 412 Door Bottom - Dark Bronze
K4133C	Kit for 4131, STC4131 Door Bottoms, Clear
K4133D	Kit for 4131, STC4131 Door Bottoms, Dark Bronze
K4133G	Kit for 4131 Door Bottom, Bright Dip Gold
K420	Kit for 420 Door Bottom
K435	Standard Kit for 411, 434, and STC411 Door Bottom
K436	Kit for 4301 Door Bottom (surface)
K436SM	Kit for 4301 Door Bottom (semi-mortised)
K435-PREM	Special End-Support Mounting Kit for 434 (sold separately)

800-824-3018 | [www.pemko.com](http://www.pemko.com)

Check the web site for the up-to-date catalog

Copyright © 2015-2023, ASSA ABLOY Accessories and Door Controls Group, Inc., an ASSA ABLOY Group company. All rights reserved. Reproduction in whole or in part without the express written permission of ASSA ABLOY Accessories and Door Controls Group, Inc. is prohibited.

**PEMKO**  
**ASSA ABLOY**

Experience a safer  
and more open world

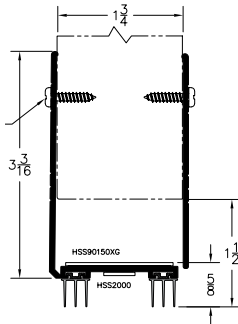
## EXCESSIVE GAP DOOR BOTTOM SOLUTIONS

- Brings fire-rated doors with excessive bottom gaps back into spec - up to 1-1/2"
- UL Classified for 90-minutes
- Supplied net length (as ordered)
- Patent Pending

### XG2212\_PK773

AVAILABLE FINISHES: **A, BSP, WSP, 10BE**  
REPLACEMENT INSERT: **PK773 (BL)**

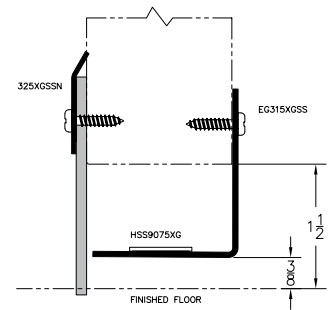
- Aluminum construction
- Easily field modifiable with standard equipment
- Supplied with K450XG end plate kit
- Patent Pending



### 325XGSSN

AVAILABLE FINISHES: **SS, SSBSP, SSWSP, SS10BE**  
REPLACEMENT INSERT: **N25 (BL)**

- Stainless steel door sweep paired with stainless steel angle
- #4 brushed stainless steel
- Supplied with K450XG end plate kit



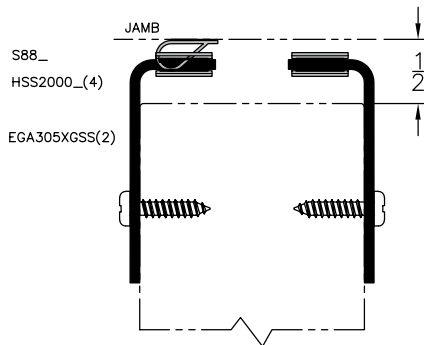
## EXCESSIVE GAP DOOR TOP SOLUTIONS

- Brings fire-rated doors with excessive top gaps back into spec - up to 1/2"
- UL Classified for 90-minutes
- Supplied net length (as ordered)

### EGA305XG\_

AVAILABLE FINISHES: **SS, SSBSP, SSWSP, SS10BE**

- Stainless steel construction, #4 brushed
- Supplied with HSS2000 intumescent
- Supplied with K450XG end plate kit

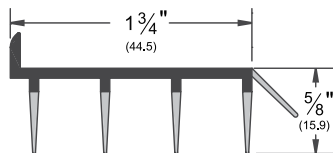


## ECO-V™ DOOR SHOES

- Dual durometer Eco-V™ door shoe
- EV80\_ is furnished net 36"
- Supplied Net Length (as ordered)

### EV80\_

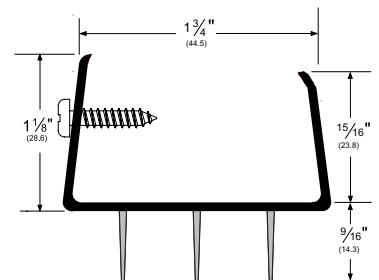
AVAILABLE FINISHES: **D**  
AVAILABLE LENGTHS: **36" NET**



### 2170\_V

AVAILABLE COLORS: **D, W**  
AVAILABLE LENGTHS: **36", 48"**

Also available with unnotched insert:  
2170\_V36UN  
2170\_V48UN



NOTE: Products shown in this section may not be drawn to scale.

AVAILABLE FINISHES FOR PRODUCTS SHOWN ON THIS PAGE  
**10BE** (Satin Bronze Powder) **A** (Mill Finish Aluminum) **BSP** (Black Suede Powder)  
**SS** (Stainless Steel) **WSP** (White Suede Powder)  
Eco-V® DOORS SHOES: **D** (Dark Brown) **W** (White)

**PEMKO**  
**ASSA ABLOY**

Experience a safer  
and more open world

800-824-3018 | [www.pemko.com](http://www.pemko.com)  
Check the web site for the up-to-date catalog

Copyright © 2015-2023, ASSA ABLOY Accessories and Door Controls Group, Inc., an ASSA ABLOY Group company. All rights reserved.  
Reproduction in whole or in part without the express written permission of ASSA ABLOY Accessories and Door Controls Group, Inc. is prohibited.

# DOOR SHOES

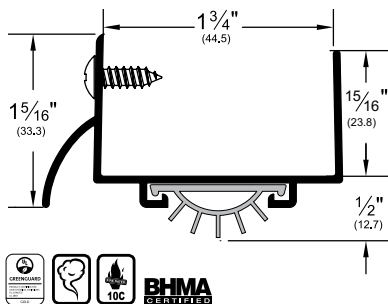
- Profiles on this page available with PemkoPrene™ (PK) or Eco-V™ (V); both are the same shape and size
- Slotted holes for easy adjustment
- Rain drip model is ideal for deflecting rain away from the bottom of door
- Recommended compression of gasket fins is 1/16"
- Except where specified otherwise, supplied with 1/4" undercut from length ordered. Specify "NET LENGTH" to receive length as ordered.

## 216\_V

AVAILABLE FINISHES: **A, B, BDG, BSP, D, SN, WSP**  
 REPLACEMENT INSERT: **EV9 (BL, GR)**  
 ANSI: **R3D514**

## 216\_PK

AVAILABLE FINISHES: **A, B, BDG, BSP, D, SN, WSP**  
 REPLACEMENT INSERT: **PK9 (BL, GR)**  
 ANSI: **R3G514**

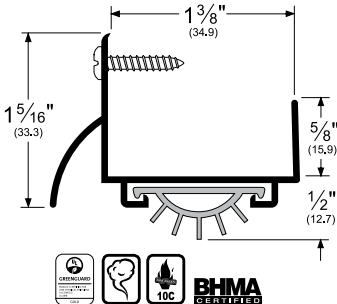


## 215\_V

AVAILABLE FINISHES: **A, BDG, BSP, D, G, PW, SN**  
 REPLACEMENT INSERT: **EV9 (BL, GR)**  
 ANSI: **R3D514**

## 215\_PK

AVAILABLE FINISHES: **A, BDG, BSP, D, G, PW, SN**  
 REPLACEMENT INSERT: **PK9 (BL, GR)**  
 ANSI: **R3G514**

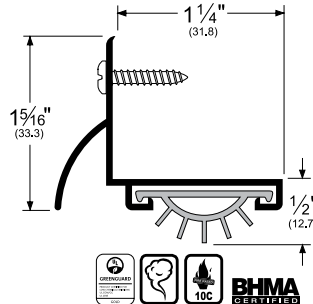


## 210\_V

AVAILABLE FINISHES: **A, BSP, D, PW, SN**  
 REPLACEMENT INSERT: **EV9 (BL, GR)**  
 ANSI: **R3D514**

## 210\_PK

AVAILABLE FINISHES: **A, BSP, D, PW, SN**  
 REPLACEMENT INSERT: **PK9 (BL, GR)**  
 ANSI: **R3G514**

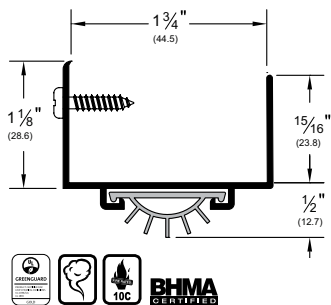


## 217\_V

AVAILABLE FINISHES: **A, BSP, D, G, SN, WSP**  
 REPLACEMENT INSERT: **EV9 (BL, GR)**  
 ANSI: **R3D414**

## 217\_PK

AVAILABLE FINISHES: **A, BSP, D, G, SN, WSP**  
 REPLACEMENT INSERT: **PK9 (BL, GR)**  
 ANSI: **R3G414**

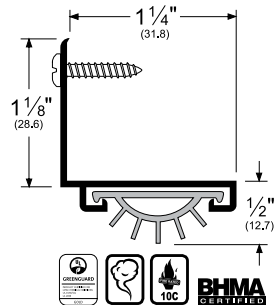


## 211\_V

AVAILABLE FINISHES: **A, BSP, D, G, WSP**  
 REPLACEMENT INSERT: **EV9 (BL, GR)**  
 ANSI: **R3D414**

## 211\_PK

AVAILABLE FINISHES: **A, BSP, D, G, WSP**  
 REPLACEMENT INSERT: **PK9 (BL, GR)**  
 ANSI: **R3G414**



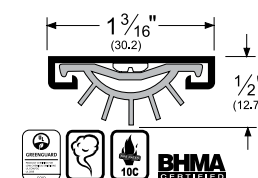
## 234\_V

AVAILABLE FINISHES: **A, BSP, D, G**  
 REPLACEMENT INSERT: **EV9 (BL, GR)**  
 ANSI: **R3D414**

## 234\_PK

AVAILABLE FINISHES: **A, BSP, D, G**  
 REPLACEMENT INSERT: **PK9 (BL, GR)**  
 ANSI: **R3G414**

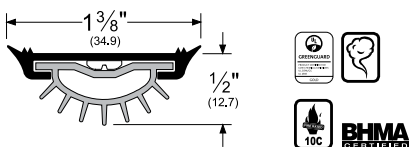
- Supplied Net Length (as ordered)



## 209\_V

AVAILABLE FINISHES: **A, BSP, D**  
 REPLACEMENT INSERT: **EV15 (BL, GR)**  
 ANSI: **R3D414**

- Supplied Net Length (as ordered)



NOTE: Products shown in this section may not be drawn to scale.

AVAILABLE FINISHES FOR PRODUCTS SHOWN ON THIS PAGE  
**A** (Mill Finish Aluminum) **BDG** (Bright Dip Gold Anodized) **BSP** (Black Suede Powder Coated Aluminum)  
**D** (Dark Bronze Anodized) **G** (Gold Anodized) **PW** (Painted White)  
**SN** (Satin Nickel Anodized) **WSP** (White Suede Powder Coated Aluminum)

800-824-3018 | www.pemko.com

Check the web site for the up-to-date catalog

Copyright © 2015-2023, ASSA ABLOY Accessories and Door Controls Group, Inc., an ASSA ABLOY Group company. All rights reserved. Reproduction in whole or in part without the express written permission of ASSA ABLOY Accessories and Door Controls Group, Inc. is prohibited.

**PEMKO**  
**ASSA ABLOY**

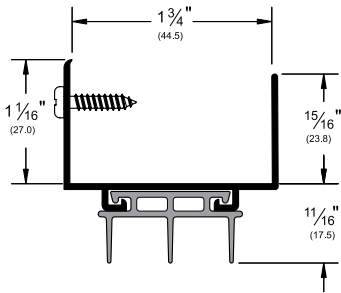
Experience a safer  
 and more open world

## DOOR SHOES (Cont.)

- Notched-fin gaskets (where applicable) allow up to 50% free air flow
- Recommended compression of gasket fins is 1/16"
- Except where noted, supplied with 1/4" undercut from length ordered. Specify "NET LENGTH" to receive length as ordered."

### 2173\_V

AVAILABLE FINISHES: **A, BSP, D, G, WSP**  
 AVAILABLE LENGTHS: **36", 48"**  
 REPLACEMENT INSERT: **EV94 (BL)**  
 ANSI: **R3D414, R3D415**



Also available with unnotched insert:

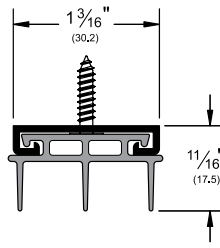
2173\_V36UN  
 2173\_V48UN



### 2343\_V

AVAILABLE FINISHES: **A, BSP, D, G**  
 AVAILABLE LENGTHS: **36", 48"**  
 REPLACEMENT INSERT: **EV94 (BL)**  
 ANSI: **R3D414, R3D415**

- Supplied Net Length (as ordered)



Also available with unnotched insert:

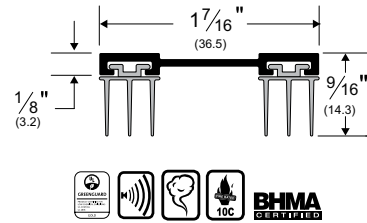
2343\_V36UN  
 2343\_V48UN



### 3692\_PK773

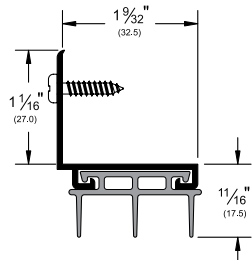
AVAILABLE FINISHES: **A**  
 AVAILABLE LENGTHS: **36", 48"**  
 REPLACEMENT INSERT: **PK773 (BL, GR)**  
 ANSI: **R3G414, R3G415**

- Supplied Net Length (as ordered)



### 2113\_V

AVAILABLE FINISHES: **A, BSP, D, G, WSP**  
 AVAILABLE LENGTHS: **36", 48"**  
 REPLACEMENT INSERT: **EV94 (BL)**  
 ANSI: **R3D414, R3D415**



Also available with unnotched insert:

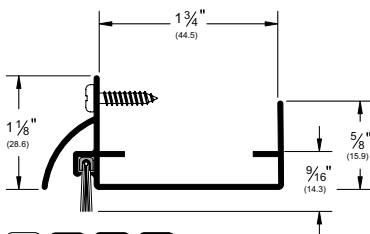
2113\_V36UN  
 2113\_V48UN



### 223\_NB

AVAILABLE FINISHES: **A, BSP, WSP**  
 REPLACEMENT INSERT: **P516041 (BL, GR)**  
 ANSI: **R3A514, R3A515**

- Supplied Net Length (as ordered)



Replacement "V" gasket for Door Shoes on this page is EV94. For replacement gasket with notched fins, add "N" to the end of the part number.

Example:

EV94BL-36.5 - Unnotched fins  
 EV94BL-36.5N - Notched fins  
 (for airflow)

NOTE: Products shown in this section may not be drawn to scale.

AVAILABLE FINISHES FOR PRODUCTS SHOWN ON THIS PAGE

**A** (Mill Finish Aluminum) **BSP** (Black Suede Powder Coated Aluminum)  
**D** (Dark Bronze Anodized) **G** (Gold Anodized) **WSP** (White Suede Powder Coated Aluminum)

**PEMKO**  
**ASSA ABLOY**

Experience a safer  
 and more open world

800-824-3018 | www.pemko.com  
 Check the web site for the up-to-date catalog

Copyright © 2015-2023, ASSA ABLOY Accessories and Door Controls Group, Inc., an ASSA ABLOY Group company. All rights reserved.  
 Reproduction in whole or in part without the express written permission of ASSA ABLOY Accessories and Door Controls Group, Inc. is prohibited.

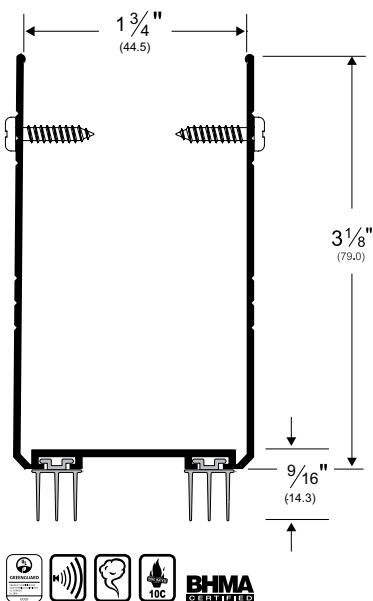


## DOOR SHOES (Cont.)

### 2212\_PK773

AVAILABLE FINISHES: **10BE, A, BSP, WSP**  
 REPLACEMENT INSERT: **PK773 (BL)**  
 ANSI: **R3G416**

- Combination door shoe and kick plate
- Excellent Acoustic performance
- Supplied Net Length (as ordered)



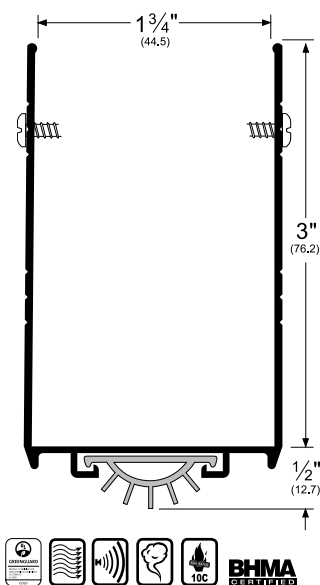
### 221\_V

AVAILABLE FINISHES: **A, BSP, D, G, WSP**  
 REPLACEMENT INSERT: **EV9 (BL, GR)**  
 ANSI: **R3D414**

### 221\_PK

AVAILABLE FINISHES: **A, BSP, D, G, WSP**  
 REPLACEMENT INSERT: **PK9 (BL, GR)**  
 ANSI: **R3G414**

- Combination door shoe and kick plate
- Supplied Net Length (as ordered)



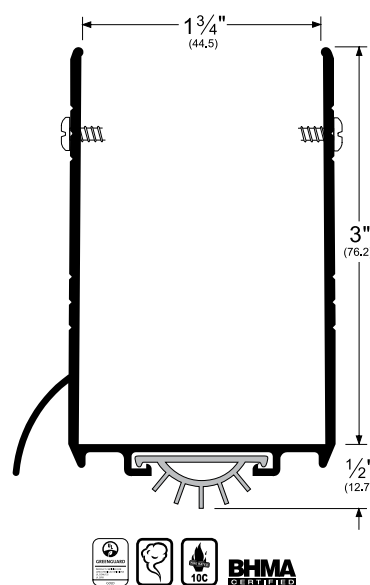
### 2211\_V

AVAILABLE FINISHES: **A, BSP, D, G, WSP**  
 REPLACEMENT INSERT: **EV9 (BL, GR)**  
 ANSI: **R3D514**

### 2211\_PK

AVAILABLE FINISHES: **A, BSP, D, G, WSP**  
 REPLACEMENT INSERT: **PK9 (BL, GR)**  
 ANSI: **R3G514**

- Combination door shoe and kick plate with raindrip
- Supplied Net Length (as ordered)

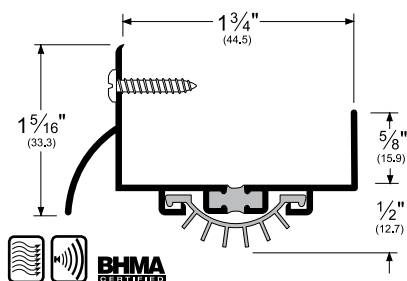


## Thermally Broken Door Shoe

- Polypropylene thermal break (FG) prevents conductivity of hot or cold from exterior to interior. Supplied with PemkoPrene™ Seal
- Supplied Net Length (as ordered)

### 216\_FG

AVAILABLE FINISHES: **A, BSP, D, SN, WSP**  
 REPLACEMENT INSERT: **PK216 (BL, GR)**  
 ANSI: **R3D514**



NOTE: Products shown in this section may not be drawn to scale.

AVAILABLE FINISHES FOR PRODUCTS SHOWN ON THIS PAGE

**A** (Mill Finish Aluminum) **BSP** (Black Suede Powder Coated Aluminum) **D** (Dark Bronze Anodized) **G** (Gold Anodized)  
**SN** (Satin Nickel Anodized) **WSP** (White Suede Powder Coated Aluminum) **10BE** (Satin Bronze Powder Coated Aluminum)

800-824-3018 | [www.pemko.com](http://www.pemko.com)

Check the web site for the up-to-date catalog

Copyright © 2015-2023, ASSA ABLOY Accessories and Door Controls Group, Inc., an ASSA ABLOY Group company. All rights reserved.  
 Reproduction in whole or in part without the express written permission of ASSA ABLOY Accessories and Door Controls Group, Inc. is prohibited.

**PEMKO**  
**ASSA ABLOY**

Experience a safer  
 and more open world

## DOOR SWEEPS FOR HOLLOW METAL DOORS

- Profiles in this section available with PemkoPrene™ (PK) or Eco-V™ (V); both are the same shape and size
- Slotted holes for easy adjustment
- Rain drip model is ideal for deflecting rain away from the bottom of the door

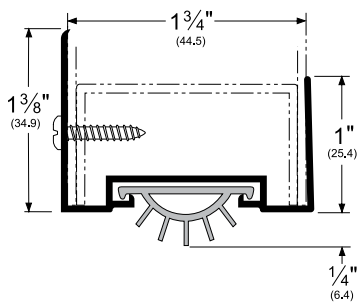
### 222\_V

AVAILABLE FINISHES: **A, BSP, D, WSP**  
 REPLACEMENT INSERT: **EV9 (BL, GR)**  
 ANSI: **R3D414**

### 222\_PK

AVAILABLE FINISHES: **A, BSP, D, WSP**  
 REPLACEMENT INSERT: **PK9 (BL, GR)**  
 ANSI: **R3G414**

- For hollow metal doors with inverted bottom channel
- Supplied Net Length (as ordered)



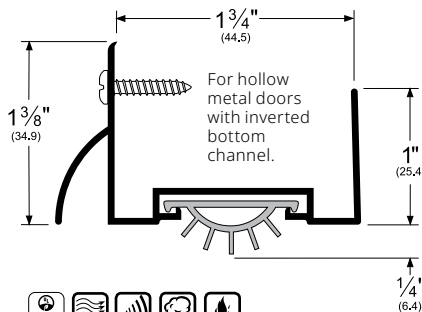
### 2221\_V

AVAILABLE FINISHES: **A, BSP, D, G, WSP**  
 REPLACEMENT INSERT: **EV9 (BL, GR)**  
 ANSI: **R3D514**

### 2221\_PK

AVAILABLE FINISHES: **A, BSP, D, G, WSP**  
 REPLACEMENT INSERT: **EV9 (BL, GR)**  
 ANSI: **R3G514**

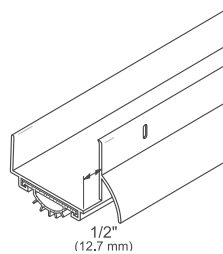
- Supplied Net Length (as ordered)



## FABRICATION OPTIONS FOR DOOR SHOES

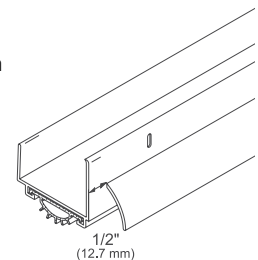
### 1/2" Full Notch

- **Fabrication includes:** removal of rain drip and front flange of door shoe to prevent interference with door stop and weatherstrip
- **Ordering:** order width of door leaf, and designate by adding "M" following the product number (Example: a 216AV with a 1/2" full notch fabrication, for a 36" door leaf = 216AVM36)



### 1/2" Half Notch

- **Fabrication includes:** removal of rain drip to prevent interference with door stop and weatherstrip
- **Ordering:** order width of door leaf and designate by adding "N" following the product number
- **Special:** Other half notches available are 9/16", 5/8", and 3/4" widths, please specify when ordering (Example: a 216AV with a 1/2" half notch fabrication, for a 36" door leaf = 216AVN36)



NOTE: Products shown in this section may not be drawn to scale.

AVAILABLE FINISHES FOR PRODUCTS SHOWN ON THIS PAGE

**A** (Mill Finish Aluminum) **BDC** (Bright Dip Clear Anodized) **BSP** (Black Suede Powder Coat)  
**D** (Dark Bronze Anodized) **G** (Gold Anodized) **WSP** (White Suede Powder Coat)



Experience a safer  
and more open world

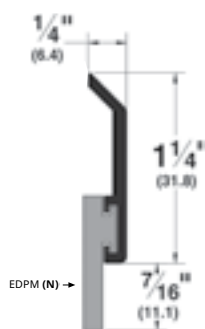
800-824-3018 | www.pemko.com  
 Check the web site for the up-to-date catalog

Copyright © 2015-2023, ASSA ABLOY Accessories and Door Controls Group, Inc., an ASSA ABLOY Group company. All rights reserved. Reproduction in whole or in part without the express written permission of ASSA ABLOY Accessories and Door Controls Group, Inc. is prohibited.

# DOOR BOTTOM SWEEPS

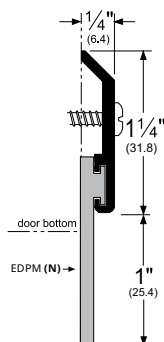
## 315\_N

AVAILABLE FINISHES: **B, BSP, C, D, WSP**  
 REPLACEMENT INSERT: **E315 (BL)**  
 ANSI: **R3B434, R3B435**



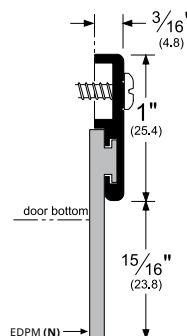
## 3151\_N

AVAILABLE FINISHES: **BSP, C, D, G, WSP**  
 REPLACEMENT INSERT: **E321 (BL)**  
 ANSI: **R3B434**



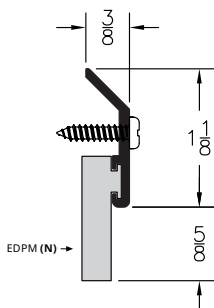
## 321\_N

AVAILABLE FINISHES: **BSP, C, D, G, WSP**  
 REPLACEMENT INSERT: **E321 (BL)**  
 ANSI: **R3B434, R3B435**



## 368\_N

AVAILABLE FINISHES: **BSP, C, D, WSP**  
 REPLACEMENT INSERT: **E368 (BL)**  
 ANSI: **R3B434, R3B435**



NOTE: Products shown in this section may not be drawn to scale.

AVAILABLE FINISHES FOR PRODUCTS SHOWN ON THIS PAGE

**B** (Mill Finish Extruded Bronze [Brass]) **BSP** (Black Suede Powder Coated Aluminum)  
**C** (Clear Anodized) **D** (Dark Bronze Anodized) **G** (Gold Anodized) **WSP** (White Suede Powder Coated Aluminum)

800-824-3018 | [www.pemko.com](http://www.pemko.com)

Check the web site for the up-to-date catalog

Copyright © 2015-2023, ASSA ABLOY Accessories and Door Controls Group, Inc., an ASSA ABLOY Group company. All rights reserved.  
 Reproduction in whole or in part without the express written permission of ASSA ABLOY Accessories and Door Controls Group, Inc. is prohibited.

**PEMKO**  
**ASSA ABLOY**

Experience a safer  
 and more open world

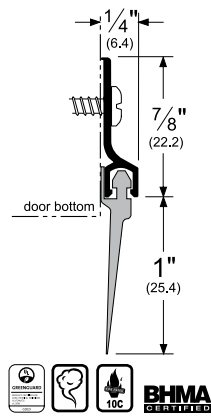
# DOOR BOTTOM SWEEPS (Cont.)

## 307\_V

AVAILABLE FINISHES:  
**A, BSP, C, D, PW**  
 REPLACEMENT INSERT:  
**EV54 (BL, GR, W)**  
 ANSI: **R3D434**

## 307\_PK

AVAILABLE FINISHES:  
**A, BSP, C, D, PW**  
 REPLACEMENT INSERT:  
**PK54 (BL, GR)**  
 ANSI: **R3G434**

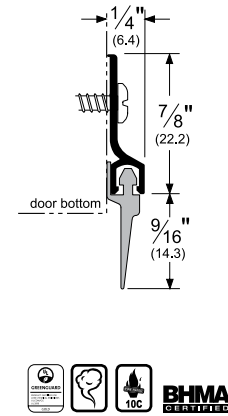


## 308\_V

AVAILABLE FINISHES:  
**A, BSP, C, D, PW**  
 REPLACEMENT INSERT:  
**EV65 (BL, GR)**  
 ANSI: **R3D434**

## 308\_PK

AVAILABLE FINISHES:  
**A, BSP, C, D, PW**  
 REPLACEMENT INSERT:  
**PK65 (BL, GR)**  
 ANSI: **R3D434**

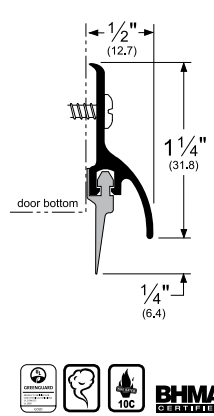


## 3452\_V

AVAILABLE FINISHES:  
**A, BSP, C, D, WSP**  
 REPLACEMENT INSERT:  
**EV65 (BL, GR, W)**  
 ANSI: **R3D534**

## 3452\_PK

AVAILABLE FINISHES:  
**A, BSP, C, D, WSP**  
 REPLACEMENT INSERT:  
**PK65 (BL, GR)**  
 ANSI: **R3G534**

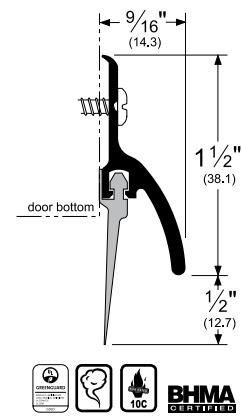


## 345\_V

AVAILABLE FINISHES:  
**A, BSP, C, D, G, WSP**  
 REPLACEMENT INSERT:  
**EV54 (BL, GR, W)**  
 ANSI: **R3D534**

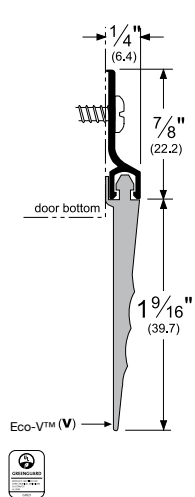
## 345\_PK

AVAILABLE FINISHES:  
**A, BSP, C, D, G, WSP**  
 REPLACEMENT INSERT:  
**PK54 (BL, GR)**  
 ANSI: **R3G534**



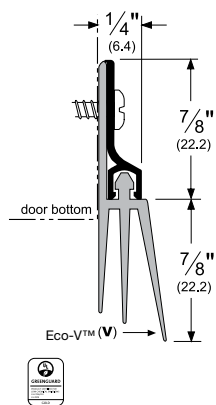
## 56\_V

AVAILABLE FINISHES:  
**A, BSP, D, WSP**  
 REPLACEMENT INSERT:  
**EV56 (BL, GR)**



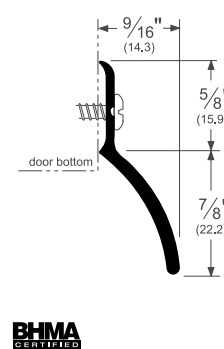
## 57\_V

AVAILABLE FINISHES:  
**A, BSP, D, WSP**  
 REPLACEMENT INSERT:  
**EV57 (BL)**



## 345\_

AVAILABLE FINISHES:  
**A, B, BSP, C, D, G, WSP**  
 ANSI: **R3Y936**



NOTE: Products shown in this section may not be drawn to scale.

AVAILABLE FINISHES FOR PRODUCTS SHOWN ON THIS PAGE  
**A** (Mill Finish Aluminum) **B** (Mill Finish Extruded Bronze [Brass])  
**BSP** (Black Suede Powder Coat) **C** (Clear Anodized) **D** (Dark Bronze Anodized)  
**G** (Gold Anodized) **PW** (Painted White) **WSP** (White Suede Powder Coat)



Experience a safer  
 and more open world

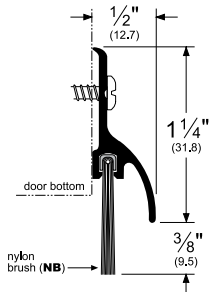
800-824-3018 | [www.pemko.com](http://www.pemko.com)  
 Check the web site for the up-to-date catalog

Copyright © 2015-2023, ASSA ABLOY Accessories and Door Controls Group, Inc., an ASSA ABLOY Group company. All rights reserved.  
 Reproduction in whole or in part without the express written permission of ASSA ABLOY Accessories and Door Controls Group, Inc. is prohibited.

# DOOR BOTTOM SWEEPS (Cont.)

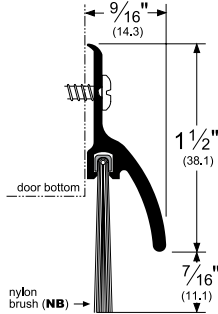
## 3452\_NB

AVAILABLE FINISHES:  
**BSP, C, D, G, WSP**  
 REPLACEMENT INSERT:  
**P14075 (BL, GR)**  
 ANSI: **R3A534**



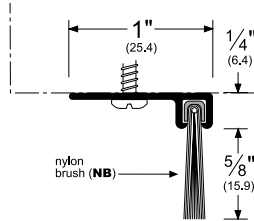
## 345\_NB

AVAILABLE FINISHES:  
**A, BSP, D, G, WSP**  
 REPLACEMENT INSERT:  
**P14100 (BL, GR)**  
 ANSI: **R3A534**



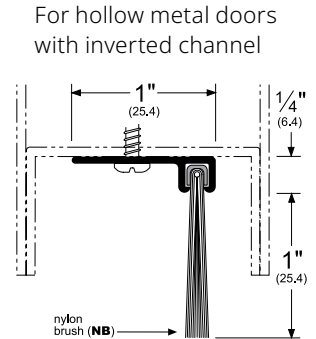
## 90062\_NB

AVAILABLE FINISHES:  
**BSP, C, D, G, WSP**  
 REPLACEMENT INSERT:  
**P516062 (BL, GR, W)**  
 ANSI: **R3A414**



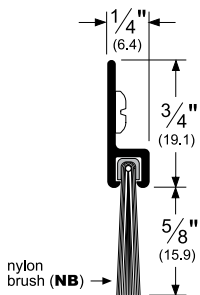
## 90100\_NB

AVAILABLE FINISHES:  
**BSP, C, D, WSP**  
 REPLACEMENT INSERT:  
**P516100 (BL, GR, W)**  
 ANSI: **R3A414**



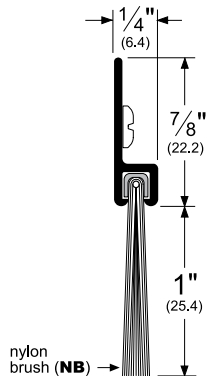
## 18061\_NB

AVAILABLE FINISHES:  
**BSP, C, D, G, SN, WSP**  
 REPLACEMENT INSERT:  
**P516062 (BL, GR, W)**  
 ANSI: **R3A434**



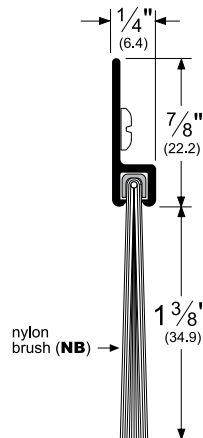
## 18100\_NB

AVAILABLE FINISHES:  
**BSP, C, D, G, WSP**  
 REPLACEMENT INSERT:  
**P38100 (BL, GR)**  
 ANSI: **R3A434**



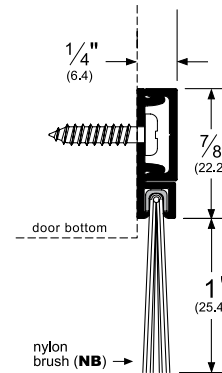
## 18137\_NB

AVAILABLE FINISHES:  
**BSP, C, D, G, WSP**  
 REPLACEMENT INSERT:  
**P38137 (BL, GR)**  
 ANSI: **R3A434**



## 293100\_NB

AVAILABLE FINISHES:  
**BSP, C, D, G, WSP**  
 REPLACEMENT INSERT:  
**P516100 (BL, GR)**



NOTE: Products shown in this section may not be drawn to scale.

AVAILABLE FINISHES FOR PRODUCTS SHOWN ON THIS PAGE  
**A** (Mill Finish Aluminum) **BSP** (Black Suede Powder Coat) **C** (Clear Anodized)  
**D** (Dark Bronze Anodized) **G** (Gold Anodized) **SN** (Satin Nickel Anodized)  
**WSP** (White Suede Powder Coat)

800-824-3018 | [www.pemko.com](http://www.pemko.com)  
 Check the web site for the up-to-date catalog

Copyright © 2015-2023, ASSA ABLOY Accessories and Door Controls Group, Inc., an ASSA ABLOY Group company. All rights reserved.  
 Reproduction in whole or in part without the express written permission of ASSA ABLOY Accessories and Door Controls Group, Inc. is prohibited.

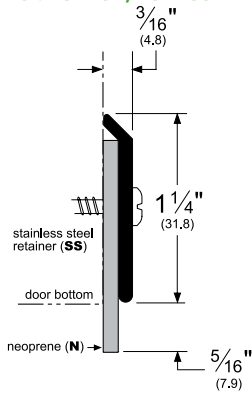
**PEMKO**  
**ASSA ABLOY**

Experience a safer  
 and more open world

# STAINLESS STEEL DOOR BOTTOM SWEEPS

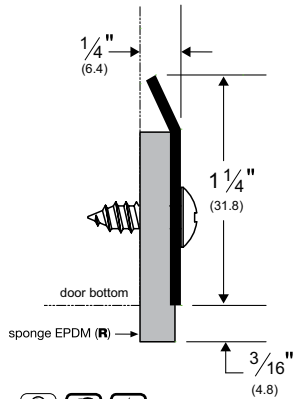
## 315SSN

AVAILABLE FINISH: **SS (#4 Finish)**  
 REPLACEMENT INSERT: **N8 (BL)**  
 ANSI: **R5B434, R5B435**



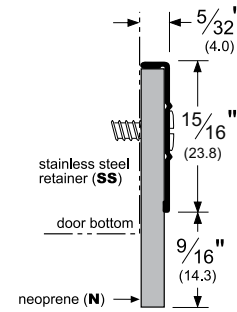
## 315SSR

AVAILABLE FINISH: **SS (#4 Finish)**  
 REPLACEMENT INSERT: **ER2 (BL)**  
 ANSI: **R5G164, R5G165**



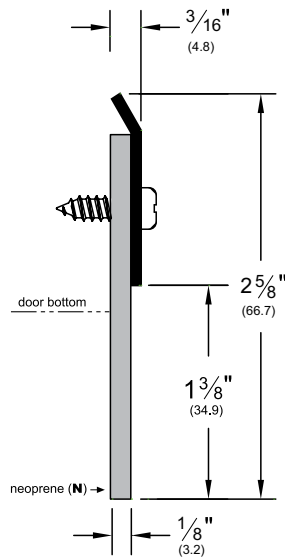
## 321SSN

AVAILABLE FINISH: **SS**  
 REPLACEMENT INSERT: **N8 (BL)**  
 ANSI: **R5B165**  
 • 430 Bright Annealed SS



## 3151SSN

AVAILABLE FINISH: **SS (#4 Finish)**  
 REPLACEMENT INSERT: **N9 (BL)**  
 ANSI: **R5B434, R5B435**

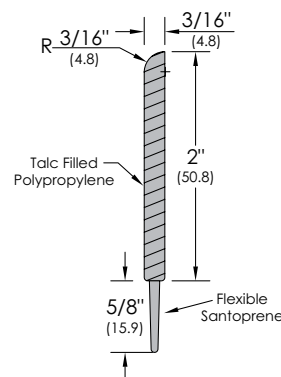


# SPECIALTY DOOR SWEEP

• Talc-filled polypropylene body with flexible PemkoPrene® fin

## SFSC200\_

AVAILABLE FINISH: **BL, GR**



NOTE: Products shown in this section may not be drawn to scale.

AVAILABLE FINISHES FOR PRODUCTS SHOWN ON THIS PAGE  
**SS** (See Individual Part)

SFSC Finishes: **BL** (Black), **GR** (Gray)



Experience a safer  
and more open world

800-824-3018 | [www.pemko.com](http://www.pemko.com)

Check the web site for the up-to-date catalog

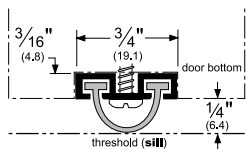
Copyright © 2015-2023, ASSA ABLOY Accessories and Door Controls Group, Inc., an ASSA ABLOY Group company. All rights reserved. Reproduction in whole or in part without the express written permission of ASSA ABLOY Accessories and Door Controls Group, Inc. is prohibited.

## SPECIALTY DOOR BOTTOMS

- May be used in many different applications. Some of these shapes may be used as meeting stile gasketing; see page 174 for examples
- Supplied Net Length (as ordered)

### 313\_N

AVAILABLE FINISHES: **A, D, G**  
 REPLACEMENT INSERT:  
**E1 (BL, GR)**  
 ANSI: **R3G416**

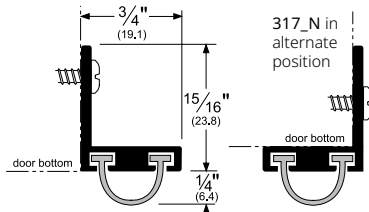


EPDM (N)



### 317\_N

AVAILABLE FINISHES: **A, BSP, D**  
 REPLACEMENT INSERT: **E1 (BL, GR)**  
 ANSI: **R3G416**

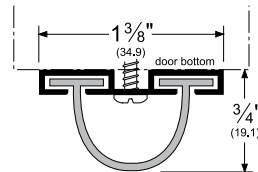


EPDM (N)



### 314\_N

AVAILABLE FINISHES: **C, D, G**  
 REPLACEMENT INSERT: **E3 (BL, GR)**  
 ANSI: **R3G416**



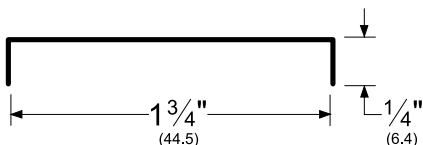
EPDM (N)



## DOOR TOP WEATHERSTRIP

### \_344

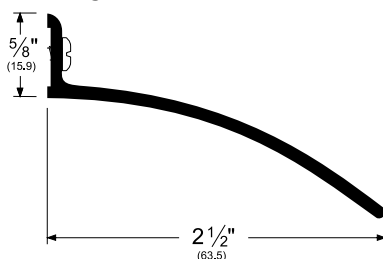
AVAILABLE FINISHES: **PA**  
 AVAILABLE LENGTHS: **36", 48"**



### 346\_

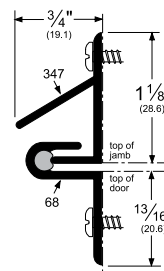
AVAILABLE FINISHES: **10BE, BSP, C, D, WSP**

- Overhead rain drip with slotted holes
- Should be ordered a minimum of 4" longer than the door width



### 347\_68\_R

AVAILABLE FINISHES: **A, D, G**



## HEAVY DUTY DOOR BUMPER

- Heavy duty door bumper extruded from black EPDM (E)
- Order 196\_ separately; furnished undrilled unless requested otherwise

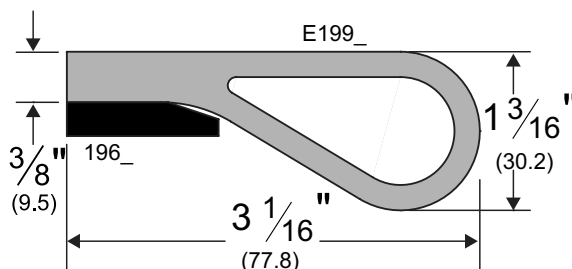
### E199\_

AVAILABLE COLOR: **BL**



### 196\_

AVAILABLE COLOR: **A**



NOTE: Products shown in this section may not be drawn to scale.

AVAILABLE FINISHES FOR PRODUCTS SHOWN ON THIS PAGE

**10BE** (Satin Bronze Powder Coated Aluminum) **A** (Mill Finish Aluminum) **BSP** (Black Suede Powder Coated Aluminum)  
**C** (Clear Anodized) **D** (Dark Bronze Anodized) **G** (Gold Anodized) **PA** (Painted Aluminum)  
**WSP** (White Suede Powder Coated Aluminum)

Non-Metal Finish: **BL** (Black)

800-824-3018 | www.pemko.com

Check the web site for the up-to-date catalog

Copyright © 2015-2023, ASSA ABLOY Accessories and Door Controls Group, Inc., an ASSA ABLOY Group company. All rights reserved. Reproduction in whole or in part without the express written permission of ASSA ABLOY Accessories and Door Controls Group, Inc. is prohibited.

**PEMKO**  
**ASSA ABLOY**

Experience a safer  
 and more open world



Experience a safer  
and more open world

800-824-3018 | [www.pemko.com](http://www.pemko.com)  
Check the web site for the up-to-date catalog

Copyright © 2015-2023, ASSA ABLOY Accessories and Door Controls Group, Inc., an ASSA ABLOY Group company. All rights reserved.  
Reproduction in whole or in part without the express written permission of ASSA ABLOY Accessories and Door Controls Group, Inc. is prohibited.



# PEMKO ASTRAGALS & MEETING STILES



## CONTENTS:

Astragal and Meeting Stile Gasketing - Split Astragals.....	162
Split Astragals with Snap Covers – Concealed Fasteners.....	164
Meeting Stile Gasketing.....	164
Adhesive Astragal/Meeting Stile Seals .....	166
Adjustable Astragals.....	166
“T” and Overlapping Astragals.....	167
Adhesive-Backed Mullion Gasketing.....	168
Adhesive-Backed Astragal Seal .....	168
Offset Security Bar .....	168
Locking Astragals .....	169
Outswing Locking Astragals .....	171

## INDEX:

<u>PRODUCT</u>	<u>PAGE</u>	<u>PRODUCT</u>	<u>PAGE</u>	<u>PRODUCT</u>	<u>PAGE</u>
297.....	162	356 .....	167	3572 .....	168
300 .....	165	357 .....	167	5110.....	168
303 .....	162	359.....	167	18041.....	163
305 .....	162	369 .....	165	18061 .....	163
305SS.....	162	371.....	165	29310.....	164
310.....	163	372 .....	165	29324.....	164
311CIN.....	163	375.....	167	29326.....	164
313.....	164	3443.....	171	S771 .....	166
314.....	164	3444.....	171	S771x6.....	166
316.....	163	3493.....	168	S772 .....	166
351 .....	166	3494.....	168	S1125 .....	168
354 .....	166	3495.....	170		
355 .....	167	3496.....	170		

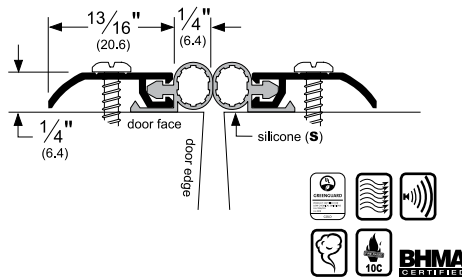
# ASTRAGAL AND MEETING STILE GASKETING – SPLIT ASTRAGALS

- Astragals and meeting stiles with a fire label may be mounted on pairs of doors wherein the gap meets the requirements of **NFPA 80, 6.3.1.7.1 “The clearance between... the meeting edges of doors swinging in pairs on the pull side shall be 1/8" ± 1/16" (3.18mm ± 1.59mm) for steel doors and shall not exceed 1/8" (3.18mm) for wood doors”**
- Punched with slotted holes for adjustment

- Order split astragals at two (2) pieces by door height per set of double doors. When ordering add "2" to the end of the part number to specify 2 pieces (i.e. order quantity 1 each 303AS84/2 to get two lengths at 84 inches)
- Clear anodized brush products are supplied with gray brush. Painted white brush products are supplied with white brush when available, otherwise black brush is supplied. All other finishes supplied with black brush. Black brush is available for clear anodized and painted white brush products upon request.

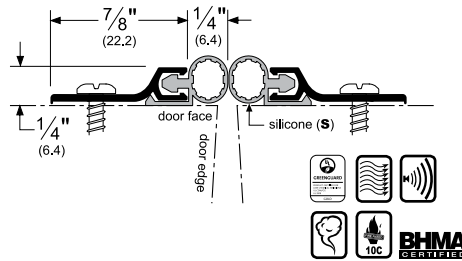
## 297\_S

AVAILABLE FINISHES:  
**10BE, A, BDG, BSP, D, PW, SN, WSP**  
 REPLACEMENT INSERT:  
**S3 (BL, W)**  
 ANSI: **R3E734, R3E735**



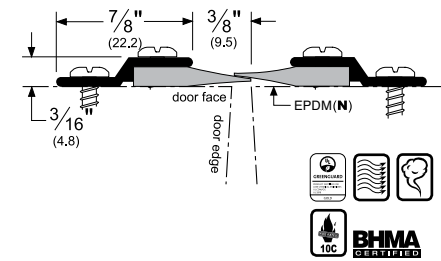
## 303\_S

AVAILABLE FINISHES:  
**10BE, A, BSP, C, D, G, PW, SN, WSP**  
 REPLACEMENT INSERT:  
**S3 (BL, W)**  
 ANSI: **R3E734, R3E735**



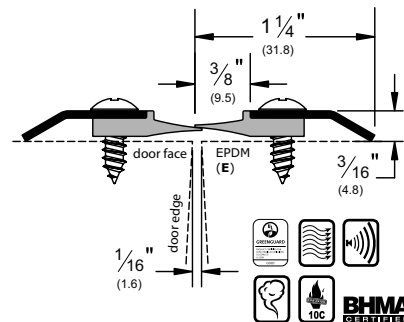
## 305\_N

AVAILABLE FINISHES:  
**10BE, B, BSP, C, D, WSP**  
 REPLACEMENT INSERT:  
**E2 (BL, GR)**  
 ANSI: **R3G734, R3G735**



## 305SSE

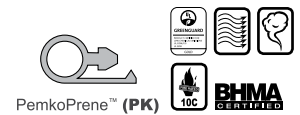
AVAILABLE FINISHES:  
**SS (#4 Finish)**  
 REPLACEMENT INSERT:  
**E2 (BL, GR)**  
 ANSI: **R5G734, R5G735**



### Alternate Inserts For 297

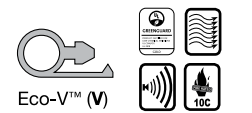
#### 297\_PK

AVAILABLE FINISHES:  
**10BE, A, BDG, BSP, D, PW, SN, WSP**  
 REPLACEMENT INSERT:  
**PK47 (BL, GR)**  
 ANSI: **R3G734, R3G735**



#### 297\_V

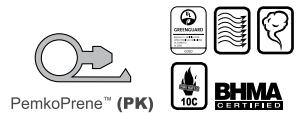
AVAILABLE FINISHES:  
**10BE, A, BDG, BSP, D, PW, SN, WSP**  
 REPLACEMENT INSERT:  
**EV47 (BL, GR, W)**



### Alternate Inserts For 303

#### 303\_PK

AVAILABLE FINISHES:  
**10BE, A, BSP, C, D, G, PW, SN, WSP**  
 REPLACEMENT INSERT:  
**PK47 (BL, GR)**  
 ANSI: **R3G734**



#### 303\_V

AVAILABLE FINISHES:  
**10BE, A, BSP, C, D, G, PW, SN, WSP**  
 REPLACEMENT INSERT:  
**EV47 (BL, GR, W)**



#### AVAILABLE FINISHES FOR PRODUCTS SHOWN ON THIS PAGE

**10BE** (Satin Bronze Powder Coated Aluminum) **A** (Mill Finish Aluminum) **BDG** (Bright Dip Gold Anodized) **BSP** (Black Suede Powder Coated Aluminum) **C** (Clear Anodized) **D** (Dark Bronze Anodized) **G** (Gold Anodized) **PW** (Painted White) **SN** (Satin Nickel Anodized) **WSP** (White Suede Powder Coated Aluminum)



Experience a safer and more open world

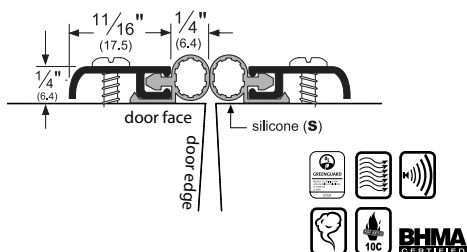
800-824-3018 | www.pemko.com  
 Check the web site for the up-to-date catalog

Copyright © 2015-2023, ASSA ABLOY Accessories and Door Controls Group, Inc., an ASSA ABLOY Group company. All rights reserved. Reproduction in whole or in part without the express written permission of ASSA ABLOY Accessories and Door Controls Group, Inc. is prohibited.

# ASTRAGAL AND MEETING STILE GASKETING – SPLIT ASTRAGALS (Cont.)

## 316\_S

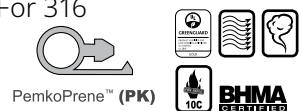
AVAILABLE FINISHES:  
**10BE, A, BSP, D, G, WSP**  
REPLACEMENT INSERT:  
**S3 (BL, W)**  
ANSI: **R3E734, R3E735**



### Alternate Inserts For 316

#### 316\_PK

AVAILABLE FINISHES:  
**10BE, A, BSP, D, G, WSP**  
REPLACEMENT INSERT:  
**PK47 (BL, GR)**  
ANSI: **R3G734, R3G735**



#### 316\_V

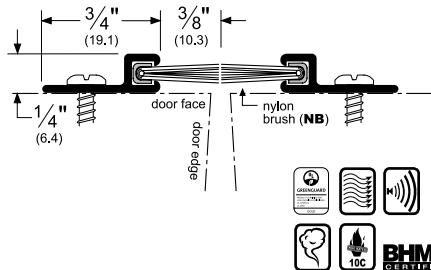
AVAILABLE FINISHES:  
**10BE, A, BSP, D, G, WSP**  
REPLACEMENT INSERT:  
**EV47 (BL, GR, W)**



## 18041\_NB

AVAILABLE FINISHES:  
**10BE, C, BSP, D, G, SN, WSP**  
REPLACEMENT INSERT:  
**P516041 (BL, GR)**  
ANSI: **R3A734**

NOTE: Brush should mesh from 1/32" to 1/16".



### Alternate Inserts For 18041

#### 18041\_SB

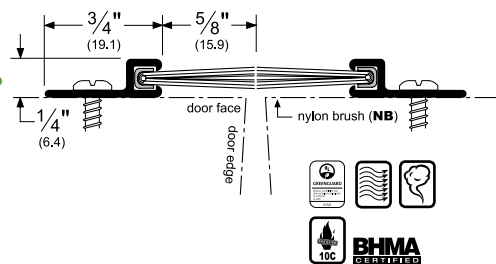
AVAILABLE FINISHES:  
**10BE, C, BSP, D, G, SN, WSP**  
REPLACEMENT INSERT:  
**P3 (BL, GR)**



## 18061\_NB

AVAILABLE FINISHES:  
**10BE, C, BSP, D, G, SN, WSP**  
REPLACEMENT INSERT:  
**P516062 (BL, GR, W)**  
ANSI: **R3A734**

NOTE: Brush should mesh from 1/32" to 1/16".



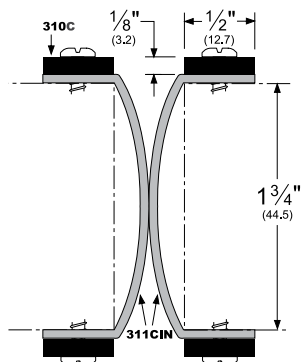
## 310\_\*

### 311CIN

AVAILABLE FINISHES:  
**C**

- Material required for one pair of doors:
  - 4 ea. 310 bars and
  - 2 ea. 311CIN cloth inserted rubber pieces
    - Specify 311CIN3.75 for 1 3/4" thick doors
    - Specify 311CIN4.00 for 2" thick doors
    - Specify 311CIN4.25 for 2 1/4" thick doors

\* Sold individually



### AVAILABLE FINISHES FOR PRODUCTS SHOWN ON THIS PAGE

**10BE** (Satin Bronze Powder Coated Aluminum) **A** (Mill Finish Aluminum)  
**BSP** (Black Suede Powder Coated Aluminum) **C** (Clear Anodized) **D** (Dark Bronze Anodized)  
**G** (Gold Anodized) **SN** (Satin Nickel Anodized) **WSP** (White Suede Powder Coated Aluminum)

800-824-3018 | www.pemko.com

Check the web site for the up-to-date catalog

Copyright © 2015-2023, ASSA ABLOY Accessories and Door Controls Group, Inc., an ASSA ABLOY Group company. All rights reserved. Reproduction in whole or in part without the express written permission of ASSA ABLOY Accessories and Door Controls Group, Inc. is prohibited.

**PEMCO**  
**ASSA ABLOY**

Experience a safer  
and more open world

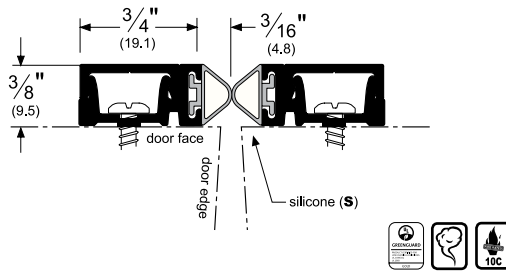
# SPLIT ASTRAGALS WITH SNAP COVERS – CONCEALED FASTENERS

• Snap cover helps prevent vandalism and adds an attractive finished look by concealing the fasteners

• Replacement snap cover part number is \_29316. Please specify finish and length when ordering.

## 29310\_S

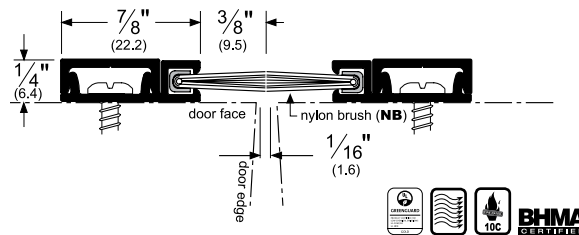
AVAILABLE FINISHES:  
**10BE, BSP, C, D, G, WSP**  
 REPLACEMENT INSERT:  
**S4 (BL, GR)**  
 ANSI: **R3E734**



## 29324\_NB

AVAILABLE FINISHES:  
**10BE, BSP, C, D, G, WSP**  
 REPLACEMENT INSERT:  
**P516041 (BL, GR)**  
 ANSI: **R3A434**

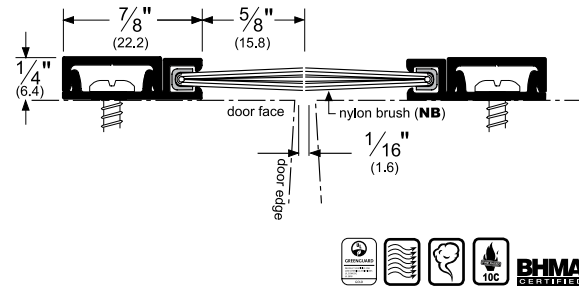
NOTE: Brush should mesh from 1/32" to 1/16".



## 29326\_NB

AVAILABLE FINISHES:  
**10BE, BSP, C, D, G, WSP**  
 REPLACEMENT INSERT:  
**P516062 (BL, GR, W)**  
 ANSI: **R3A164, R3A165**

NOTE: Brush should mesh from 1/32" to 1/16".



### Alternate Inserts For 29310

#### 29310\_PK

AVAILABLE FINISHES:  
**10BE, BSP, C, D, G, WSP**  
 REPLACEMENT INSERT:  
**S4 (BL, GR)**  
 ANSI: **R3G734**



#### 29310\_P

AVAILABLE FINISHES:  
**10BE, BSP, C, D, G, WSP**  
 REPLACEMENT INSERT:  
**P2 (BL, GR)**



#### 29310\_V

AVAILABLE FINISHES:  
**10BE, BSP, C, D, G, WSP**  
 REPLACEMENT INSERT:  
**EV41 (BL, GR, W)**



### Alternate Inserts For 29324

#### 29324\_SB

AVAILABLE FINISHES:  
**10BE, BSP, C, D, G, WSP**  
 REPLACEMENT INSERT:  
**P3 (BL, GR)**



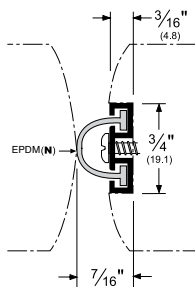
# MEETING STILE GASKETING

• These products do not work well on beveled-edge pairs of doors

## 313\_N

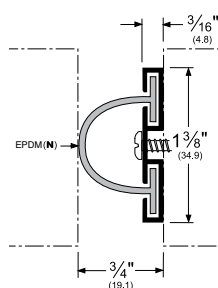
AVAILABLE FINISHES:  
**A, D, G**  
 REPLACEMENT INSERT:  
**E1 (BL, GR)**

NOTE: Recommended radius is 1-7/8"



## 314\_N

AVAILABLE FINISHES:  
**C, D, G**  
 REPLACEMENT INSERT:  
**E3 (BL, GR)**



### AVAILABLE FINISHES FOR PRODUCTS SHOWN ON THIS PAGE

**10BE** (Satin Bronze Powder Coated Aluminum) **A** (Mill Finish Aluminum) **BSP** (Black Suede Powder Coated Aluminum) **C** (Clear Anodized) **D** (Dark Bronze Anodized) **G** (Gold Anodized) **WSP** (White Suede Powder Coated Aluminum)

800-824-3018 | www.pemko.com

Check the web site for the up-to-date catalog

Experience a safer and more open world

Copyright © 2015-2023, ASSA ABLOY Accessories and Door Controls Group, Inc., an ASSA ABLOY Group company. All rights reserved. Reproduction in whole or in part without the express written permission of ASSA ABLOY Accessories and Door Controls Group, Inc. is prohibited.

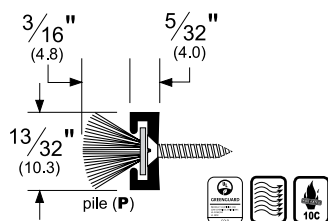
## MEETING STILE GASKETING (Cont.)

• Astragals/Meeting Stiles with a fire label may be mounted on pairs of doors wherein the gap meets the requirements of NFPA 80, 2-5.4

• These products do not work well on beveled-edge pairs of doors

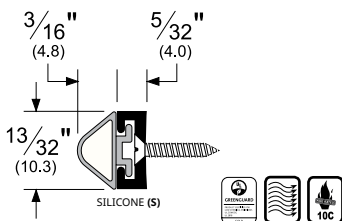
### 369\_P

AVAILABLE FINISHES: **A, D, G**  
REPLACEMENT INSERT: **P2 (BL, GR)**



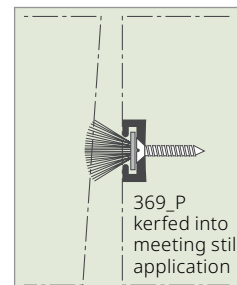
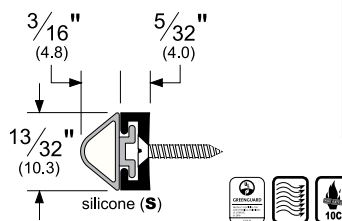
### 369\_PK

AVAILABLE FINISHES: **A, D, G**  
REPLACEMENT INSERT: **S4 (BL, GR)**



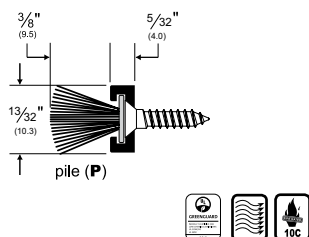
### 369\_S

AVAILABLE FINISHES: **A, D, G**  
REPLACEMENT INSERT: **S4 (BL, GR)**



### 369\_P4

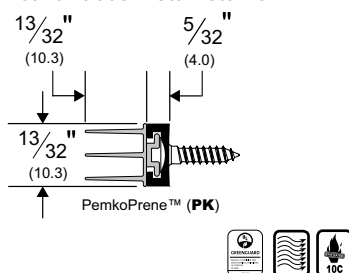
AVAILABLE FINISHES: **A, D, G**  
REPLACEMENT INSERT: **P4 (BL)**



### 369\_PK773

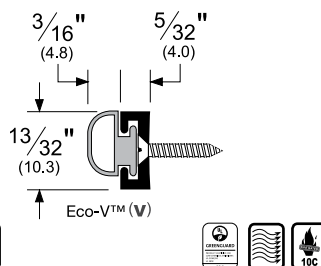
AVAILABLE FINISHES: **A, D, G**  
REPLACEMENT INSERT: **PK773 (BL)**

• Gasket only available in 36" or 49" lengths and will be spliced a continuous metal retainer



### 369\_V

AVAILABLE FINISHES: **A, D, G**  
REPLACEMENT INSERT: **EV41 (BL, GR, W)**



### A371P (1/4" pile)

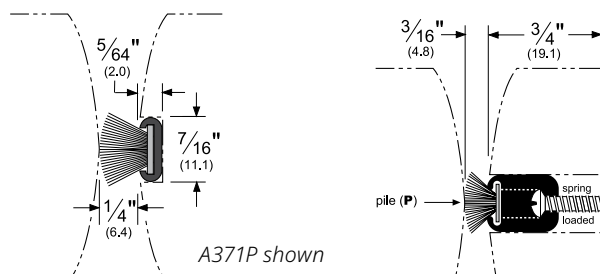
### A372P (3/8" pile)

- Available in 84" and 96" lengths
- Available with gray pile only
- Fasten with nails or staples through pile and backing, or use adhesive. Fasteners not supplied
- Pile and backing do not separate

### 300\_P

AVAILABLE FINISHES: **B, C, D, G**  
REPLACEMENT INSERT: **P2 (BL, GR)**

- For a 3/8" gap (or smaller) between doors
- Spring-loaded from back side



AVAILABLE FINISHES FOR PRODUCTS SHOWN ON THIS PAGE  
**A** (Mill Finish Aluminum) **B** (Mill Finish Extruded Bronze [Brass]) **C** (Clear Anodized)  
**D** (Dark Bronze Anodized) **G** (Gold Anodized)

800-824-3018 | [www.pemko.com](http://www.pemko.com)

Check the web site for the up-to-date catalog

Copyright © 2015-2023, ASSA ABLOY Accessories and Door Controls Group, Inc., an ASSA ABLOY Group company. All rights reserved. Reproduction in whole or in part without the express written permission of ASSA ABLOY Accessories and Door Controls Group, Inc. is prohibited.

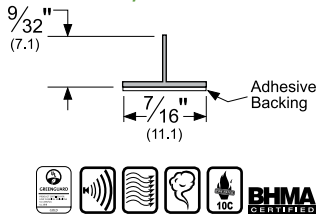
**PEMKO**  
**ASSA ABLOY**

Experience a safer  
and more open world

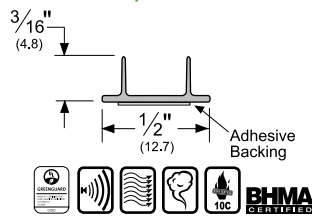
## ADHESIVE ASTRAGAL/MEETING STILE SEALS

- The **S771** and **S772** astragal/meeting stile seals can be installed on virtually any pair of doors where sound attenuation is required. These products seal the opening to prevent heat loss, retard the passage of smoke, and act as a weatherization product
- Excellent resistance to compression set, particularly at elevated temperatures and for extended periods of time
- Stays flexible between -58°F and 450°F with very high resistance to flex fatigue
- Maintains a low closing force
- Easy installation requires no mechanical fasteners; can be cut to size in the field

**S771\_**  
 AVAILABLE FINISHES: **BL, C, D, W**  
 AVAILABLE LENGTHS: **7', 8', 9', 10'**  
 ANSI: **ROE754, ROE755**

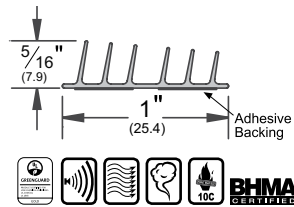


**S772\_**  
 AVAILABLE FINISHES: **BL, C, D, W**  
 AVAILABLE LENGTHS: **7', 8', 9', 10'**  
 ANSI: **ROE754, ROE755**



**S771x6\_**  
 AVAILABLE FINISHES: **BL**  
 AVAILABLE LENGTHS: **7', 8', 9', 10'**  
 ANSI: **ROE154, ROE155, ROE754, ROE755**

- Designed for hollow metal and wood meeting stile applications
- Seal begins compressing at 5/16"



**Notes For All Adhesive Gasketing:**

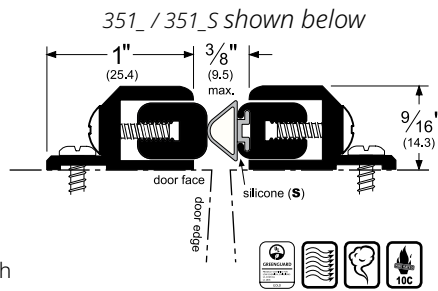
Storage and shelf life: All adhesive gaskets have a limited shelf life. This product must be installed within 6 months of purchase and must be stored between 50°F and 100°F. For further notes/details, please see Adhesive Gasketing section.

## ADJUSTABLE ASTRAGALS

- Available in 84", 96" and 120" lengths
- When used as split astragals on double doors, two lengths must be ordered: one for each door
- If you require split astragals in a metal to gasket configuration, you must order using part number 351\_/351\_S where "S" can be any gasket designation shown in this section and "\_" is your desired finish

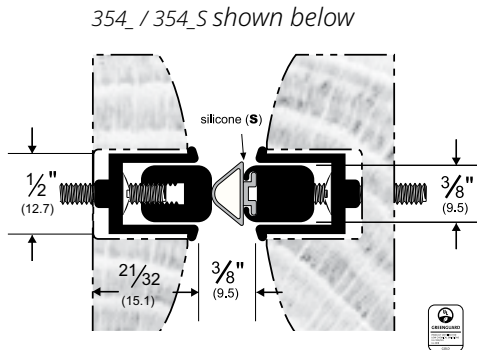
**351\_S**  
 AVAILABLE FINISHES:  
**10BE, B, BSP, C, D, G, WSP**  
 REPLACEMENT INSERT:  
**S4 (BL, GR)**

- Surface applied
- For use with square-edge or bevel-edge doors
- 351\_S (et al) is one single piece; order 351\_/351\_S to receive both pieces as in drawing



**354\_S**  
 AVAILABLE FINISHES:  
**10BE, B, BSP, C, D, G, WSP**  
 REPLACEMENT INSERT:  
**S4 (BL, GR)**

- Fully mortised
- Designed for use with bullnose doors
- 354\_S (et al) is one single piece; order 354\_/354\_S to receive both pieces as in drawing

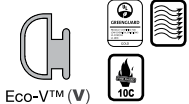


**Alternate Inserts For 351**

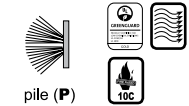
**351\_PK**  
 AVAILABLE FINISHES:  
**10BE, B, BSP, C, D, G, WSP**  
 REPLACEMENT INSERT:  
**S4 (BL, GR)**



**351\_V**  
 AVAILABLE FINISHES:  
**10BE, B, BSP, C, D, G, WSP**  
 REPLACEMENT INSERT:  
**EV41 (BL, GR, W)**



**351\_P**  
 AVAILABLE FINISHES:  
**10BE, B, BSP, C, D, G, WSP**  
 REPLACEMENT INSERT:  
**P2 (BL, GR)**

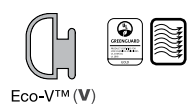


**Alternate Inserts For 354**

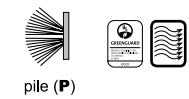
**354\_PK**  
 AVAILABLE FINISHES:  
**10BE, B, BSP, C, D, G, WSP**  
 REPLACEMENT INSERT:  
**S4 (BL, GR)**



**354\_V**  
 AVAILABLE FINISHES:  
**10BE, B, BSP, C, D, G, WSP**  
 REPLACEMENT INSERT:  
**EV41 (BL, GR, W)**



**354\_P**  
 AVAILABLE FINISHES:  
**10BE, B, BSP, C, D, G, WSP**  
 REPLACEMENT INSERT:  
**P2 (BL, GR)**



**AVAILABLE FINISHES FOR PRODUCTS SHOWN ON THIS PAGE**

**10BE** (Satin Bronze Powder Coated Aluminum) **B** (Mill Finish Extruded Bronze [Brass]) **BSP** (Black Suede Powder Coated Aluminum) **C** (Clear Anodized) **D** (Dark Bronze Anodized) **G** (Gold Anodized) **WSP** (White Suede Powder Coated Aluminum)  
 Gasket colors: **BL** (Black) **C** (Clear) **D** (Dark) **GR** (Gray) **W** (White)



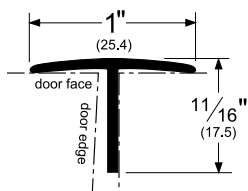
Experience a safer and more open world

800-824-3018 | www.pemko.com  
 Check the web site for the up-to-date catalog

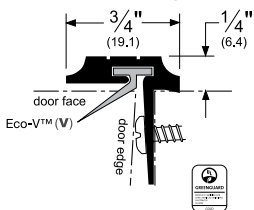
Copyright © 2015-2023, ASSA ABLOY Accessories and Door Controls Group, Inc., an ASSA ABLOY Group company. All rights reserved. Reproduction in whole or in part without the express written permission of ASSA ABLOY Accessories and Door Controls Group, Inc. is prohibited.

# "T" AND OVERLAPPING ASTRAGALS

**359\_**  
 AVAILABLE FINISHES:  
**10BE, A, BSP, D, WSP**  
 • Supplied with weatherstrip nails for installation



**356\_V**  
 AVAILABLE FINISHES:  
**10BE, A, BDG, BSP, D, PW, WSP**  
 REPLACEMENT INSERT:  
**EV17 (BL, GR, W)**  
 • Countersink drilling with countersunk flathead screws also available upon request at no extra charge



**355\_S**  
 AVAILABLE FINISHES:  
**10BE, B, BSP, C, D, PW, WSP**  
 REPLACEMENT INSERT:  
**S4 (BL, GR)**

Alternate Inserts  
 For 355

**355\_V**  
 AVAILABLE FINISHES:  
**10BE, B, BSP, C, D, PW, WSP**  
 REPLACEMENT INSERT:  
**EV7 (BL, GR, W)**

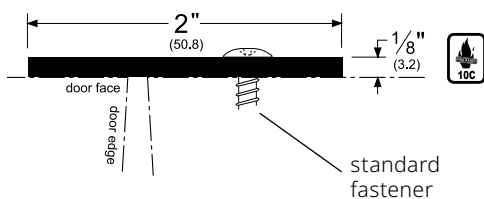
**355\_P**  
 AVAILABLE FINISHES:  
**10BE, B, BSP, C, D, PW, WSP**  
 REPLACEMENT INSERT:  
**P2 (BL, GR)**

**355\_PK**  
 AVAILABLE FINISHES:  
**10BE, B, BSP, C, D, PW, WSP**  
 REPLACEMENT INSERT:  
**PK7 (BL, GR)**

**357\_**  
**357\_ND**  
 AVAILABLE FINISHES:  
**10BE, BSP, C, D, SP, SPBSP, SPWSP**  
**SS (#4 Finish & #4 Edge)**

## 11 GAUGE

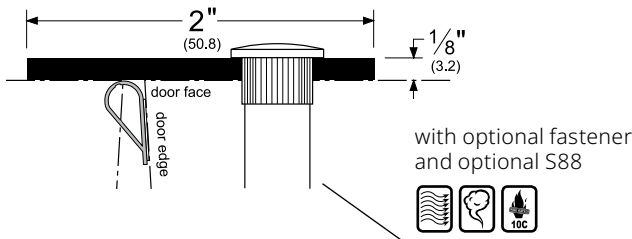
- "ND" denotes "no drill" (unless specified "ND", astragals are drilled)
- Standard fastener is #10 x 1" Truss Head SMS
- Lead-line option available



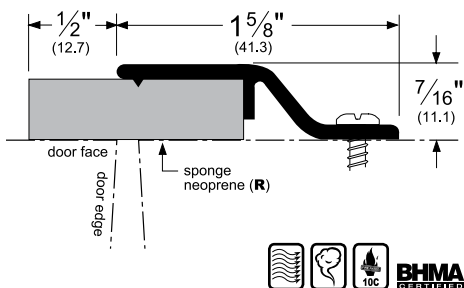
**357\_ with S88**  
 AVAILABLE FINISHES:  
**SP, SS (#4 Finish & #4 Edge)**

## 11 GAUGE

- Standard fastener is #10 x 1" Truss Head SMS
- 1/4" - 20 machine screws and thru-bolts must be ordered separately at additional cost
- S88 seal must be ordered separately at an additional cost, if required



**375\_R**  
 AVAILABLE FINISHES: **10BE, BSP, C, D, WSP**  
 REPLACEMENT INSERT: **ER6 (BL)**  
 ANSI: **R3C634, R3C635**



### AVAILABLE FINISHES FOR PRODUCTS SHOWN ON THIS PAGE

**10BE** (Satin Bronze Powder Coated Aluminum) **A** (Mill Finish Aluminum) **B** (Mill Finish Extruded Bronze [Brass])  
**BDG** (Bright Dip Gold Anodized) **C** (Clear Anodized) **BSP** (Black Suede Powder Coated Aluminum) **D** (Dark Bronze Anodized)  
**PW** (Painted White) **SP** (Galvanized Steel) **SPBSP** (Black Suede Powder Coated Steel)  
**SPWSP** (White Suede Powder Coated Steel) **SS** (See Individual Part) **WSP** (White Suede Powder Coated Aluminum)

800-824-3018 | www.pemko.com

Check the web site for the up-to-date catalog

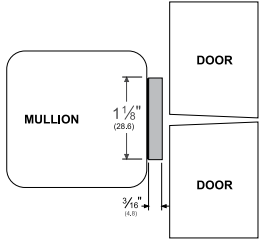
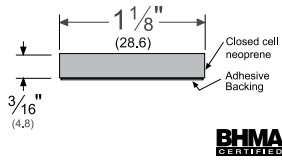
Copyright © 2015-2023, ASSA ABLOY Accessories and Door Controls Group, Inc., an ASSA ABLOY Group company. All rights reserved. Reproduction in whole or in part without the express written permission of ASSA ABLOY Accessories and Door Controls Group, Inc. is prohibited.

**PEMKO**  
**ASSA ABLOY**

Experience a safer  
 and more open world

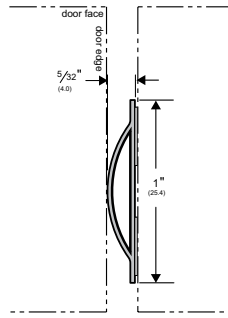
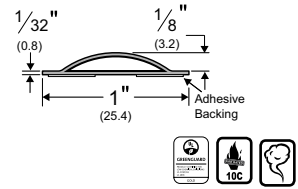
## ADHESIVE-BACKED MULLION GASKETING

5110\_  
 AVAILABLE FINISH: **BL**  
 AVAILABLE LENGTHS: **120"**  
 ANSI: **R0C004**



## ADHESIVE-BACKED ASTRAGAL SEAL

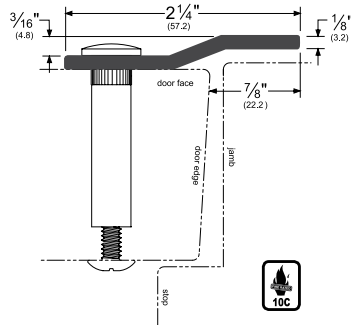
S1125\_  
 AVAILABLE FINISH: **D**  
 AVAILABLE LENGTHS: **7', 8', 10'**



## OFFSET SECURITY BAR

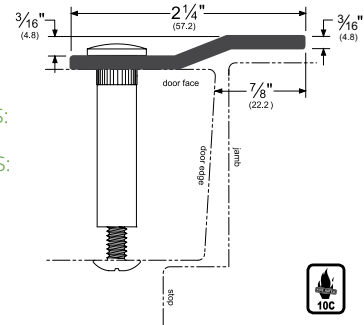
- For use on single outswing wood or metal doors
- Covers gap between the door and jamb for the full door height, preventing prying and manipulation

3572\_  
 3572\_ND  
 AVAILABLE FINISHES:  
**SP, SPBSP, SPWSP,**  
**SS (#4 Finish & #4 Edge)**  
 AVAILABLE LENGTHS:  
**80", 84" and 96"**  
**10 GAUGE**



- 3572\_ supplied drilled 12" on center with 1/4" holes; "ND" denotes "no drill"

3572PP7  
 3572PP7ND  
 AVAILABLE FINISHES:  
**PP**  
 AVAILABLE LENGTHS:  
**84"**  
**7 GAUGE**



Experience a safer  
 and more open world

AVAILABLE FINISHES FOR PRODUCTS SHOWN ON THIS PAGE  
**BL** (Black) **D** (Dark Brown) **PP** (Prime Painted) **SP** (Galvanized Steel)  
**SS** (See Individual Part) **SPBSP** (Black Suede Powder Coated Steel)  
**SPWSP** (White Suede Powder Coated Steel)

800-824-3018 | [www.pemko.com](http://www.pemko.com)  
 Check the web site for the up-to-date catalog

Copyright © 2015-2023, ASSA ABLOY Accessories and Door Controls Group, Inc., an ASSA ABLOY Group company. All rights reserved.  
 Reproduction in whole or in part without the express written permission of ASSA ABLOY Accessories and Door Controls Group, Inc. is prohibited.

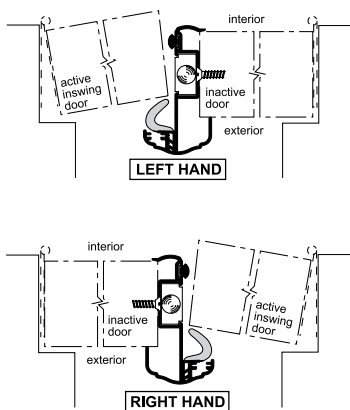


# LOCKING ASTRAGALS

- Weatherstripped astragals with locking spring bolts or slide bolts for 1 3/4" inswing double doors
- Odd numbered astragals have economical smooth acting slide bolts. Slide bolts are 4" from the top/bottom standard; optional 18" slide bolt is available for easier access. Even numbered astragals have locking spring bolts. Both have full 3/8" diameter steel bolts with 1 1/16" throw. In the extended and locked position, locking spring bolts cannot be easily retracted by tampering. In the retracted position, the spring loaded bolts latch firmly, preventing marking of the floor and door header trim when opening or closing the inactive door
- Styles **3493** thru **3498** come with a molded sponge neoprene bottom seal
- All feature four-way adjustable strike plate mounting for latchbolt and deadbolt
- All come with a Eco-V™ snap-in cover strip to conceal the cutout and cover the mounting screws
- Astragal stock lengths are 80", 84", 96" and 120"
- A standard deadbolt punchout is 3/4" x 4" at 40" on center Punchout supplied on request only
- For non-stock astragals, specify deadbolt punchout size and center distance from top end
- Specify handing using the handing chart on page 181 or 184

## Handing Chart For Astragals (For pages 169 thru 171)

- An astragal is handed by the hand of the active door. The hand of the active door is determined by the position of the hinges on the door, when viewed from the outside (the key side)



### Slimline style with slide bolt 3493\_S

REPLACEMENT INSERT: **S4 (BL, GR)**

3493\_V

REPLACEMENT INSERT: **EV41 (BL, W)**

AVAILABLE FINISHES:

**C, D, G, PW**

- **3493** also available with 18" slide bolt (at additional cost) for easier access (specify "L" at the end of the product number for this option i.e. **3493\_VL**)

### Slimline style with locking spring bolt

3494\_S

REPLACEMENT INSERT: **S4 (BL, GR)**

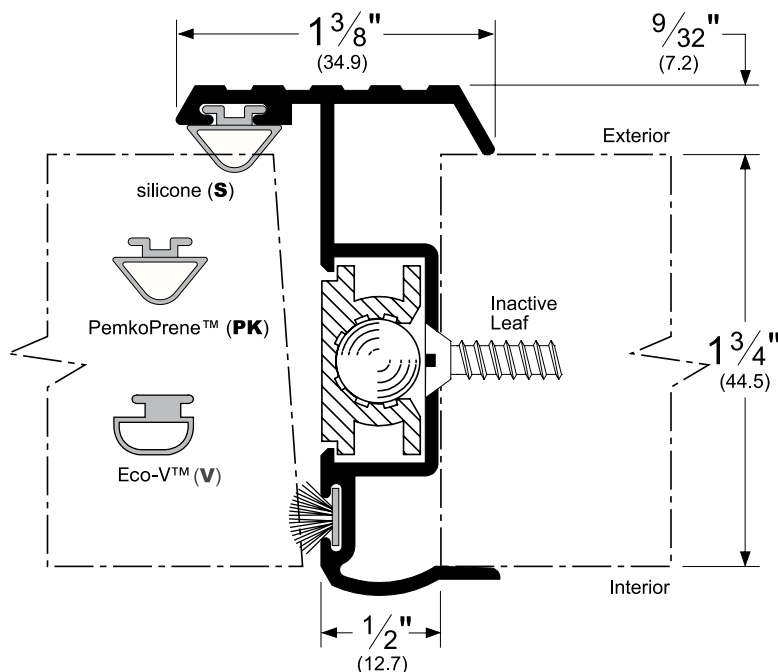
3494\_V

REPLACEMENT INSERT: **EV41 (BL, W)**

AVAILABLE FINISHES:

**C, D, G, PW**

## Slimline Style



AVAILABLE FINISHES FOR PRODUCTS SHOWN ON THIS PAGE  
**C** (Clear Anodized) **D** (Dark Bronze Anodized) **G** (Gold Anodized) **PW** (White)

800-824-3018 | [www.pemko.com](http://www.pemko.com)  
 Check the web site for the up-to-date catalog

Copyright © 2015-2023, ASSA ABLOY Accessories and Door Controls Group, Inc., an ASSA ABLOY Group company. All rights reserved.  
 Reproduction in whole or in part without the express written permission of ASSA ABLOY Accessories and Door Controls Group, Inc. is prohibited.

**PEMKO**  
**ASSA ABLOY**

Experience a safer  
 and more open world

# LOCKING ASTRAGALS

## Colonial Style

Colonial style with slide bolt

3495\_M

REPLACEMENT INSERT: **MAG349 (D, W)**

3495\_Q

REPLACEMENT INSERT: **Q102 (D, W)**

AVAILABLE FINISHES: **C, D, PW**

• 3495 available with 18" aluminum bar; specify "L" at the end of product number (i.e. 3495\_Q96L)

Colonial style with locking spring bolt

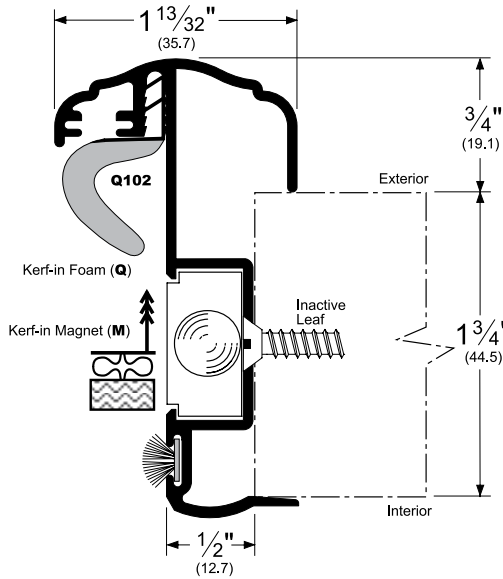
3496\_M

REPLACEMENT INSERT: **MAG349 (D, W)**

3496\_Q

REPLACEMENT INSERT: **Q102 (D, W)**

AVAILABLE FINISHES: **C, D, G, PW**



**Q102\_**  
 AVAILABLE FINISHES:  
**BL, W**  
 Available with Q108  
 insert only upon  
 request

AVAILABLE FINISHES FOR PRODUCTS SHOWN ON THIS PAGE  
**C** (Clear Anodized) **D** (Dark Bronze Anodized) **G** (Gold Anodized)  
**PW** (White) Kerf Colors: **BL** (Black) **D** (Dark Brown) **W** (White)



Experience a safer  
 and more open world

800-824-3018 | [www.pemko.com](http://www.pemko.com)  
 Check the web site for the up-to-date catalog

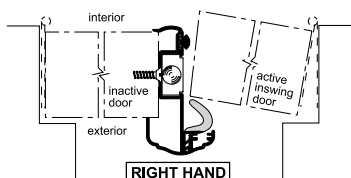
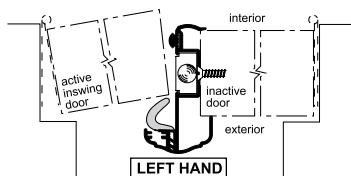
Copyright © 2015-2023, ASSA ABLOY Accessories and Door Controls Group, Inc., an ASSA ABLOY Group company. All rights reserved.  
 Reproduction in whole or in part without the express written permission of ASSA ABLOY Accessories and Door Controls Group, Inc. is prohibited.

## OUTSWING LOCKING ASTRAGALS

- Weatherstripped astragals with locking spring bolts or slide bolts for 1¾" outswing double doors. Slide bolts are 18" from the top/bottom for easier access
- Odd numbered astragals have economical smooth acting slide bolts. Even numbered astragals have locking spring bolts. Both have full ¾" diameter steel bolts with 1⅙" throw for improved locking strength. In the extended and locked position, locking spring bolts cannot be easily retracted by tampering. In the retracted position, the spring loaded bolts latch firmly, thus preventing marking of the floor and door header trim when opening or closing the inactive door
- All come with an Eco-V™ snap-in cover strip to conceal the cutout and to cover the mounting screws
- All feature four-way adjustable strike plate mounting for latchbolt and deadbolt
- All styles come with a molded sponge neoprene bottom seal
- Each astragal comes complete with an installation kit and detailed instructions
- Specify punchout locations with your order
- Specify handing using the handing chart below

### Handing Chart For Astragals (For pages 169 thru 171)

- An astragal is handed by the hand of the active door. The hand of the active door is determined by the position of the hinges on the door, when viewed from the outside (the key side)



### Slimline Style

Slimline style with slide bolt

3443\_S

REPLACEMENT INSERT:

S4 (BL, GR)

AVAILABLE FINISHES:

C, D, WSP

3443 available with 18" aluminum bar; specify "L" at the end of product number (i.e. 3443\_S96L)

Slimline style with locking spring bolt

3444\_S

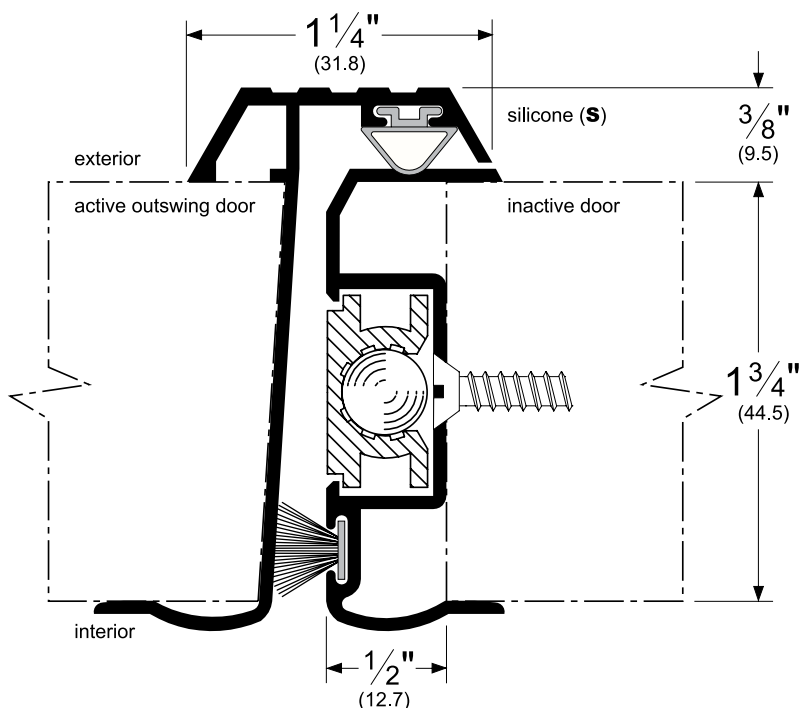
REPLACEMENT INSERT:

S4 (BL, GR)

AVAILABLE FINISHES:

C, D, WSP

### Slimline Style



AVAILABLE FINISHES FOR PRODUCTS SHOWN ON THIS PAGE

C (Clear Anodized) D (Dark Bronze Anodized) WSP (White Suede Powder Coat)

800-824-3018 | www.pemko.com

Check the web site for the up-to-date catalog

Copyright © 2015-2023, ASSA ABLOY Accessories and Door Controls Group, Inc., an ASSA ABLOY Group company. All rights reserved. Reproduction in whole or in part without the express written permission of ASSA ABLOY Accessories and Door Controls Group, Inc. is prohibited.

**PEMKO**  
**ASSA ABLOY**

Experience a safer  
and more open world



Experience a safer  
and more open world

800-824-3018 | [www.pemko.com](http://www.pemko.com)  
*Check the web site for the up-to-date catalog*

Copyright © 2015-2023, ASSA ABLOY Accessories and Door Controls Group, Inc., an ASSA ABLOY Group company. All rights reserved.  
Reproduction in whole or in part without the express written permission of ASSA ABLOY Accessories and Door Controls Group, Inc. is prohibited.

# PEMKO BRUSH GASKETING

## CONTENTS:

180° Aluminum Retainers .....	174
180° Concealed Fastener Retainers.....	175
90° Aluminum Retainers .....	176
45° Concealed Fastener Retainers.....	176
Mortise Retainers .....	178
Aluminum Retainer with Rain Drip.....	178
Oak Retainers .....	178
Meeting Stiles.....	179

NOTE: For Automatic Door Bottoms with Nylon Brush seals, please see Automatic Door Bottom catalog section.

## INDEX:

<u>PRODUCT</u>	<u>PAGE</u>	<u>PRODUCT</u>	<u>PAGE</u>	<u>PRODUCT</u>	<u>PAGE</u>
345 .....	178	18100.....	175	45061.....	177
3452.....	178	18100W.....	178	45062.....	177
5025.....	178	18137.....	174	45100.....	177
5041.....	178	18175.....	174	45137.....	177
5061.....	178	18250.....	174	45175.....	177
5100.....	178	18400.....	174	45250.....	177
18041.....	175	29324.....	175	45400.....	177
18041.....	179	29324.....	179	90041.....	176
18050.....	175	29326.....	175	90062.....	176
18061.....	175	29326.....	179	90100.....	176
18061.....	179	29344.....	176	90137.....	176
18062.....	175	29346.....	176	293100.....	175
18062W.....	178	45041.....	177		

NOTE: For Automatic Door Bottoms with Nylon Brush seals, please see Automatic Door Bottom catalog section.



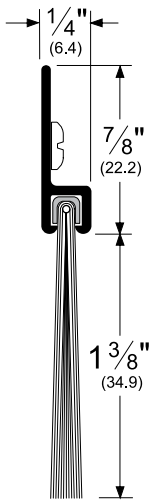
# 180° ALUMINUM RETAINERS

- All brush seals consist of densely compressed nylon filaments encased in a high quality aluminum retainer. These products are ideally suited for hollow metal and wood door applications. Also use Pemko's brush weatherstripping product on overhead, section, sliding, and automatic doors
- All brush seals reduce the infiltration of light, air, wind, rain, and snow; prevent heat loss; and control the penetration of smoke and fumes

- Brush remains flexible down to -40°F and has a melting point above 400°F
- UV stable, dependable, long-lasting, cost-effective
- Punched with slotted holes for adjustment (except 35° angle types which are drilled with 1/8" hole)
- Naturally repels rodents and spiders; can be sprayed with household pest repellent for additional pest control

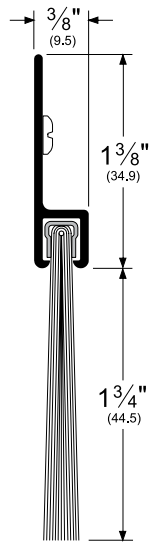
## 18137\_NB

AVAILABLE FINISHES:  
**10BE, BSP, C, D, G, PW, WSP**  
 REPLACEMENT INSERT:  
**P38137 (BL, GR, W)**  
 ANSI: **R3A434**



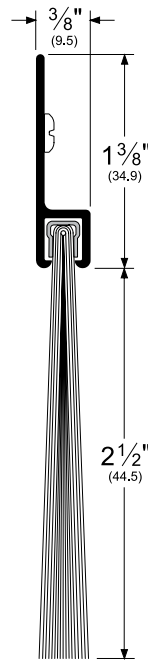
## 18175\_NB

AVAILABLE FINISHES:  
**10BE, BSP, C, D, WSP**  
 REPLACEMENT INSERT:  
**P58175 (BL, GR)**  
 ANSI: **R3A434**



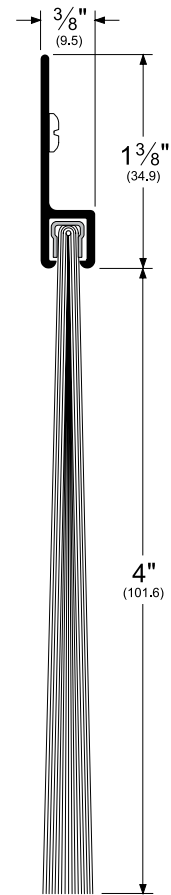
## 18250\_NB

AVAILABLE FINISHES:  
**10BE, BSP, C, D, WSP**  
 REPLACEMENT INSERT:  
**P58250 (BL, GR)**  
 ANSI: **R3A434**



## 18400\_NB

AVAILABLE FINISHES:  
**10BE, BSP, C, D, WSP**  
 REPLACEMENT INSERT:  
**P58400 (BL, GR)**  
 ANSI: **R3A434**



NOTE: Products shown in this section may not be drawn to scale.

AVAILABLE FINISHES FOR PRODUCTS SHOWN ON THIS PAGE

**10BE** (Satin Bronze Powder Coat) **BSP** (Black Suede Powder Coat) **C** (Clear Anodized)  
**D** (Dark Bronze Anodized) **G** (Gold Anodized) **PW** (Painted White) **WSP** (White Suede Powder Coat)



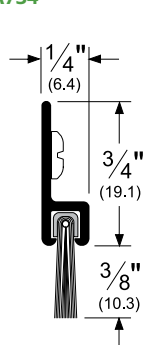
Experience a safer  
and more open world

800-824-3018 | [www.pemko.com](http://www.pemko.com)  
 Check the web site for the up-to-date catalog

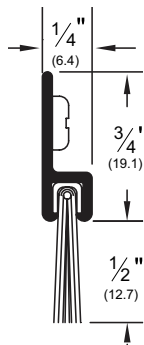
Copyright © 2015-2023, ASSA ABLOY Accessories and Door Controls Group, Inc., an ASSA ABLOY Group company. All rights reserved. Reproduction in whole or in part without the express written permission of ASSA ABLOY Accessories and Door Controls Group, Inc. is prohibited.

# 180° ALUMINUM RETAINERS (Cont.)

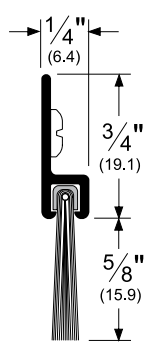
**18041\_NB**  
 AVAILABLE FINISHES:  
**10BE, BSP, C, D, G, PW, SN, WSP**  
 REPLACEMENT INSERT:  
**P516041 (BL, GR)**  
 ANSI: **R3A134, R3A164, R3A734**



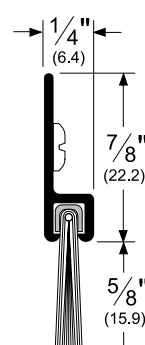
**18050\_NB**  
 AVAILABLE FINISHES:  
**10BE, BSP, C, D, G, PW, SN, WSP**  
 REPLACEMENT INSERT:  
**P516050 (BL, GR)**  
 ANSI: **R3A434, R3A734**



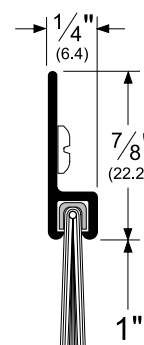
**18061\_NB**  
 AVAILABLE FINISHES:  
**10BE, BSP, C, D, G, PW, SN, WSP**  
 REPLACEMENT INSERT:  
**P516062 (BL, GR, W)**  
 ANSI: **R3A434, R3A734**



**18062\_NB**  
 AVAILABLE FINISHES:  
**10BE, BSP, C, D, G, PW, WSP**  
 REPLACEMENT INSERT:  
**P38062 (BL, GR, W)**  
 ANSI: **R3A434**




**18100\_NB**  
 AVAILABLE FINISHES:  
**10BE, BSP, C, D, G, PW, WSP**  
 REPLACEMENT INSERT:  
**P38100 (BL, GR)**  
 ANSI: **R3A434**



**Alternate Inserts For 18041**

**18041\_SB**  
 AVAILABLE FINISHES: **10BE, BSP, C, D, G, PW, SN, WSP**  
 REPLACEMENT INSERT: **P3 (BL, GR)**

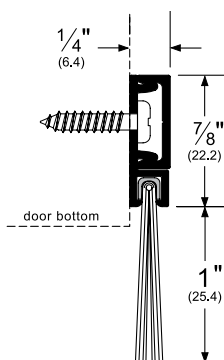


soft brush (SB)

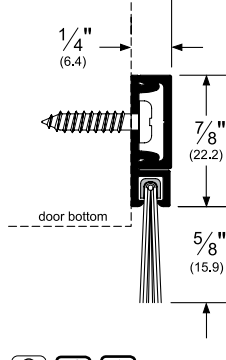
# 180° CONCEALED FASTENER RETAINERS

- Aluminum snap cover conceals mounting screws to provide a clean aesthetic appearance
- Replacement snap cover is item \_29316; when ordering, identify finish and length
- Cover snaps securely into place to deter vandalism

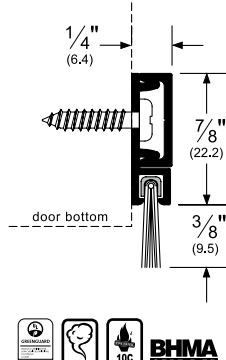
**293100\_NB**  
 AVAILABLE FINISHES:  
**10BE, BSP, C, D, WSP**  
 REPLACEMENT INSERT:  
**P516100 (BL, GR, W)**  
 ANSI: **R3A434**



**29326\_NB**  
 AVAILABLE FINISHES:  
**10BE, BSP, C, D, G, WSP**  
 REPLACEMENT INSERT:  
**P516062 (BL, GR, W)**  
 ANSI: **R3A434**




**29324\_NB**  
 AVAILABLE FINISHES:  
**10BE, BSP, C, D, G, WSP**  
 REPLACEMENT INSERT:  
**P516041 (BL, GR)**  
 ANSI: **R3A434**



**Alternate Insert For 29324**

**29324\_SB**  
 AVAILABLE FINISHES: **10BE, BSP, C, D, WSP**  
 REPLACEMENT INSERT: **P3 (BL, GR)**



soft brush (SB)

NOTE: Products shown in this section may not be drawn to scale.

AVAILABLE FINISHES FOR PRODUCTS SHOWN ON THIS PAGE

**10BE** (Satin Bronze Powder Coat) **BSP** (Black Suede Powder Coat) **C** (Clear Anodized)  
**D** (Dark Bronze Anodized) **G** (Gold Anodized) **PW** (Painted White) **SN** (Satin Nickel Anodized)  
**WSP** (White Suede Powder Coat)

800-824-3018 | www.pemko.com

Check the web site for the up-to-date catalog

Copyright © 2015-2023, ASSA ABLOY Accessories and Door Controls Group, Inc., an ASSA ABLOY Group company. All rights reserved. Reproduction in whole or in part without the express written permission of ASSA ABLOY Accessories and Door Controls Group, Inc. is prohibited.

**PEMKO**  
**ASSA ABLOY**

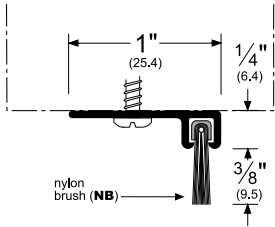
Experience a safer  
 and more open world

## 90° ALUMINUM RETAINERS

- Design permits use as a concealed seal for many applications
- Slotted holes for easy adjustment

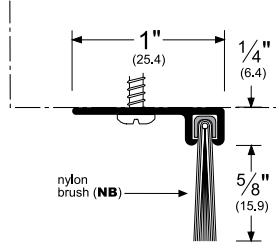
### 90041\_NB

AVAILABLE FINISHES: **10BE, BSP, C, D, WSP**  
 REPLACEMENT INSERT: **P516041 (BL, GR, W)**  
 ANSI: **R3A164, R3A414**



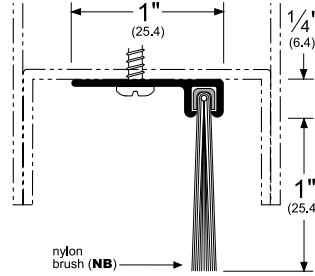
### 90062\_NB

AVAILABLE FINISHES: **10BE, BSP, C, D, WSP**  
 REPLACEMENT INSERT: **P516062 (BL, GR, W)**  
 ANSI: **R3A164, R3A414**



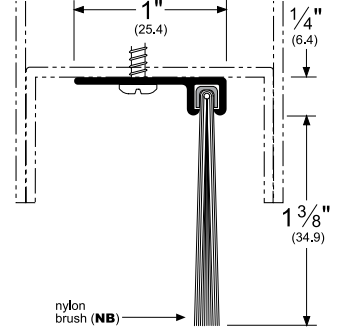
### 90100\_NB

AVAILABLE FINISHES: **10BE, BSP, C, D, WSP**  
 REPLACEMENT INSERT: **P516100 (BL, GR, W)**  
 ANSI: **R3A414**



### 90137\_NB

AVAILABLE FINISHES: **10BE, BSP, C, D, WSP**  
 REPLACEMENT INSERT: **P516137 (BL, GR, W)**  
 ANSI: **R3A414**



Alternate Insert For 90041

### 90041\_SB

AVAILABLE FINISHES: **10BE, BSP, C, D, WSP**  
 REPLACEMENT INSERT: **P3 (BL, GR)**

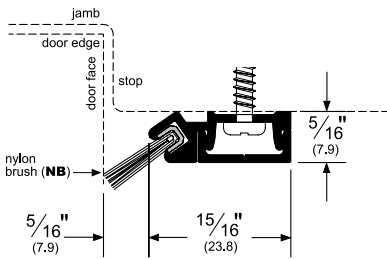


## 45° CONCEALED FASTENER RETAINERS

- Replacement snap cover is item \_29316-
- When ordering, identify finish and length

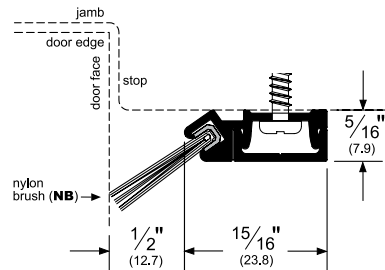
### 29344\_NB

AVAILABLE FINISHES: **10BE, BSP, C, D, WSP**  
 REPLACEMENT INSERT: **P516041 (BL, GR)**  
 ANSI: **R3A164**



### 29346\_NB

AVAILABLE FINISHES: **10BE, BSP, C, D, WSP**  
 REPLACEMENT INSERT: **P516062 (BL, GR, W)**  
 ANSI: **R3A164**



Alternate Insert For 29344

### 29344\_SB

AVAILABLE FINISHES: **10BE, BSP, C, D, WSP**  
 REPLACEMENT INSERT: **P3 (BL, GR)**



**PEMKO**  
**ASSA ABLOY**

Experience a safer  
 and more open world

NOTE: Products shown in this section may not be drawn to scale.

AVAILABLE FINISHES FOR PRODUCTS SHOWN ON THIS PAGE

**10BE** (Satin Bronze Powder Coat) **BSP** (Black Suede Powder Coat) **C** (Clear Anodized)  
**D** (Dark Bronze Anodized) **WSP** (White Suede Powder Coat)

800-824-3018 | [www.pemko.com](http://www.pemko.com)  
 Check the web site for the up-to-date catalog

Copyright © 2015-2023, ASSA ABLOY Accessories and Door Controls Group, Inc., an ASSA ABLOY Group company. All rights reserved.  
 Reproduction in whole or in part without the express written permission of ASSA ABLOY Accessories and Door Controls Group, Inc. is prohibited.

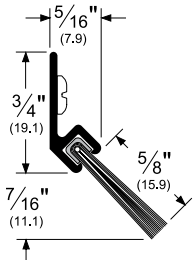


# 45° ALUMINUM RETAINERS

• Slotted holes for easy adjustment

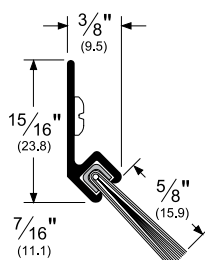
## 45061\_NB

AVAILABLE FINISHES:  
**10BE, BSP, C, D, WSP**  
REPLACEMENT INSERT:  
**P516062 (BL, GR, W)**  
ANSI: **R3A164**



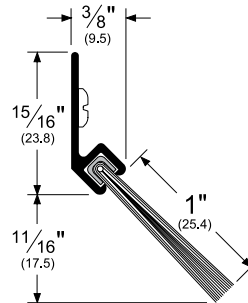
## 45062\_NB

AVAILABLE FINISHES:  
**10BE, BSP, C, D, WSP**  
REPLACEMENT INSERT:  
**P38062 (BL, GR, W)**  
ANSI: **R3A164**



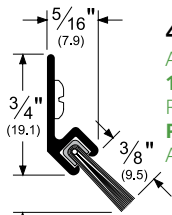
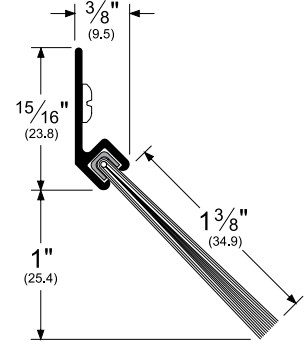
## 45100\_NB

AVAILABLE FINISHES:  
**10BE, BSP, C, D, WSP**  
REPLACEMENT INSERT:  
**P38100 (BL, GR)**  
ANSI: **R3A164**



## 45137\_NB

AVAILABLE FINISHES:  
**10BE, BSP, C, D, WSP**  
REPLACEMENT INSERT:  
**P58137 (BL, GR, W)**  
ANSI: **R3A164**



## 45041\_NB

AVAILABLE FINISHES:  
**10BE, BSP, C, D, WSP**  
REPLACEMENT INSERT:  
**P516041 (BL, GR)**  
ANSI: **R3A164**



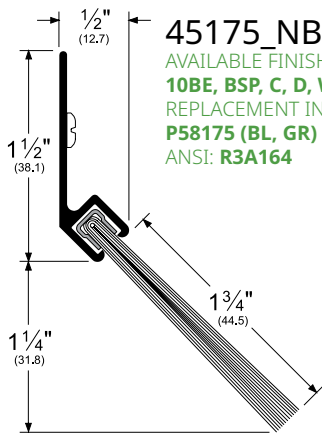
Alternate Insert For 45041

## 45041\_SB

AVAILABLE FINISHES:  
**10BE, BSP, C, D, WSP**  
REPLACEMENT INSERT: **P3 (BL, GR)**

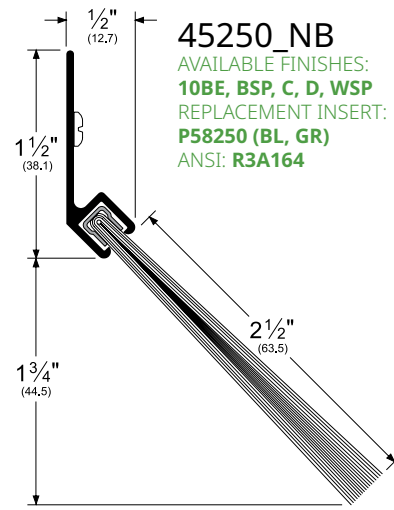


soft brush (SB)



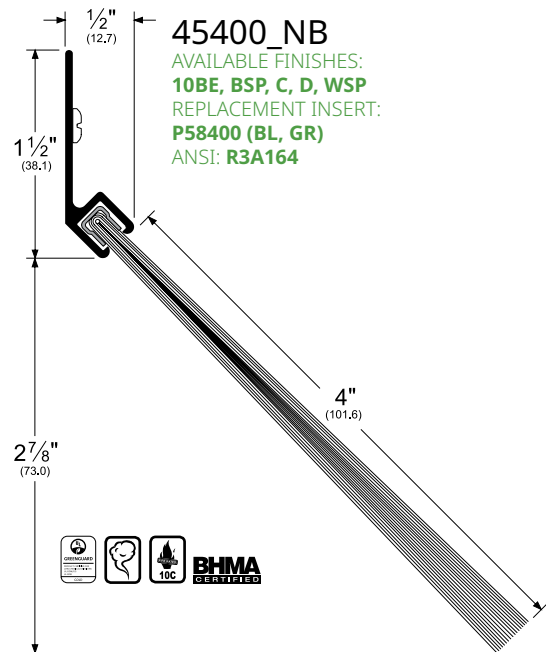
## 45175\_NB

AVAILABLE FINISHES:  
**10BE, BSP, C, D, WSP**  
REPLACEMENT INSERT:  
**P58175 (BL, GR)**  
ANSI: **R3A164**



## 45250\_NB

AVAILABLE FINISHES:  
**10BE, BSP, C, D, WSP**  
REPLACEMENT INSERT:  
**P58250 (BL, GR)**  
ANSI: **R3A164**



## 45400\_NB

AVAILABLE FINISHES:  
**10BE, BSP, C, D, WSP**  
REPLACEMENT INSERT:  
**P58400 (BL, GR)**  
ANSI: **R3A164**



NOTE: Products shown in this section may not be drawn to scale.

AVAILABLE FINISHES FOR PRODUCTS SHOWN ON THIS PAGE

**10BE** (Satin Bronze Powder Coat) **BSP** (Black Suede Powder Coat) **C** (Clear Anodized)  
**D** (Dark Bronze Anodized) **WSP** (White Suede Powder Coat)

800-824-3018 | www.pemko.com

Check the web site for the up-to-date catalog

Copyright © 2015-2023, ASSA ABLOY Accessories and Door Controls Group, Inc., an ASSA ABLOY Group company. All rights reserved.  
Reproduction in whole or in part without the express written permission of ASSA ABLOY Accessories and Door Controls Group, Inc. is prohibited.

**PEMKO**  
**ASSA ABLOY**

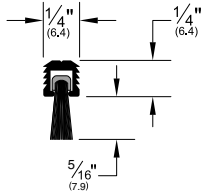
Experience a safer  
and more open world

# MORTISE RETAINERS

- The ultimate design for concealed weatherstrip needs
- Can be used on doors, windows and more

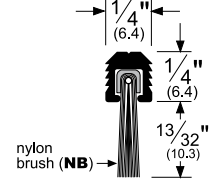
## 5025\_NB

AVAILABLE FINISH: **A**  
REPLACEMENT INSERT:  
**P14025 (BL, GR)**



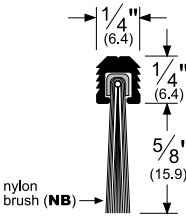
## 5041\_NB

AVAILABLE FINISH: **A**  
REPLACEMENT INSERT:  
**P516041 (BL, GR)**



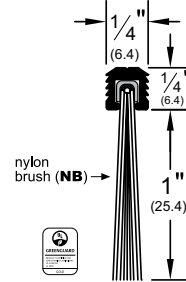
## 5061\_NB

AVAILABLE FINISH: **A**  
REPLACEMENT INSERT:  
**P516062 (BL, GR, W)**



## 5100\_NB

AVAILABLE FINISH: **A**  
REPLACEMENT INSERT:  
**P516100 (BL, GR, W)**



### Alternate Insert For 5025 and 5041

#### 5025\_SB

AVAILABLE FINISHES: **A**  
REPLACEMENT INSERT:  
**SB14025 (BL, GR)**



#### 5041\_SB

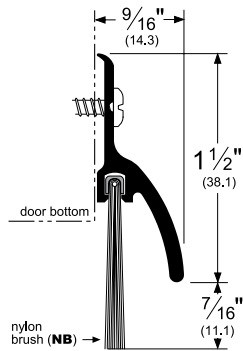
AVAILABLE FINISHES: **A**  
REPLACEMENT INSERT:  
**P3 (BL, GR)**

# ALUMINUM RETAINER WITH RAIN DRIP

- Slotted holes for easy adjustment

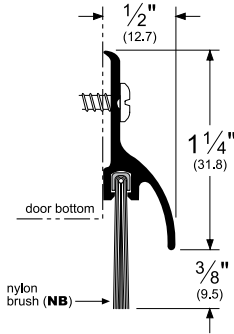
## 345\_NB

AVAILABLE FINISHES:  
**10BE, A, BSP, D, G, WSP**  
REPLACEMENT INSERT:  
**P14100 (BL, GR)**  
ANSI: **R3A534**



## 3452\_NB

AVAILABLE FINISHES:  
**10BE, A, BSP, D, G, WSP**  
REPLACEMENT INSERT:  
**P14075 (BL, GR)**  
ANSI: **R3A534**

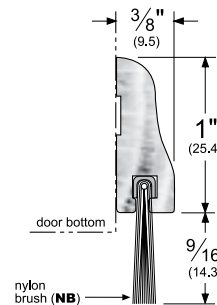


# OAK RETAINERS 36" WIDE

- These products have 1/8" drilled fastener holes

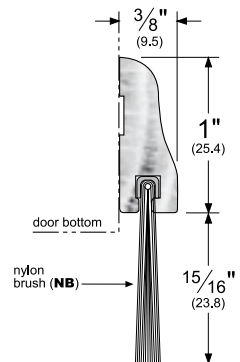
## 18062WNB

AVAILABLE FINISH: **W**  
REPLACEMENT INSERT:  
**P516062 (BL, GR, W)**



## 18100WNB

AVAILABLE FINISH: **W**  
REPLACEMENT INSERT:  
**P516100 (BL, GR)**



NOTE: Products shown in this section may not be drawn to scale.

### AVAILABLE FINISHES FOR PRODUCTS SHOWN ON THIS PAGE

**10BE** (Satin Bronze Powder Coat) **A** (Mill Finish Aluminum) **BSP** (Black Suede Powder Coat) **C** (Clear Anodized) **D** (Dark Bronze Anodized) **G** (Gold Anodized) **W** (Unfinished Solid Oak) **WSP** (White Suede Powder Coat)



Experience a safer and more open world

800-824-3018 | www.pemko.com  
Check the web site for the up-to-date catalog

Copyright © 2015-2023, ASSA ABLOY Accessories and Door Controls Group, Inc., an ASSA ABLOY Group company. All rights reserved. Reproduction in whole or in part without the express written permission of ASSA ABLOY Accessories and Door Controls Group, Inc. is prohibited.

## MEETING STILES

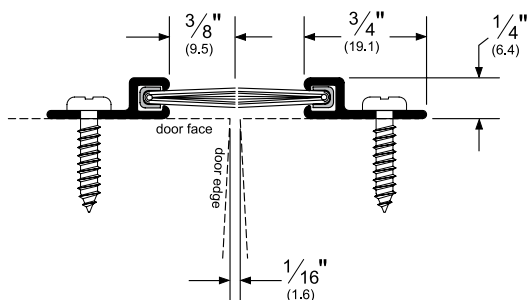
- Astragals and Meeting Stiles with a fire label may be mounted on pairs of doors wherein the gap meets the requirements of NFPA 80-2013, 6.3.1.7.1 **“The clearance between... the meeting edges of doors swinging in pairs on the pull side shall be 1/8" ± 1/16" (3.18mm ± 1.59mm) for steel doors and shall not exceed 1/8" (3.18mm) for wood doors”**

### 18041\_NB

AVAILABLE FINISHES: **10BE, BSP, C, D, G, SN, WSP**

REPLACEMENT INSERT: **P516041 (BL, GR)**

ANSI: **R3A734**



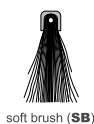
Alternate Insert For 18041

### 18041\_SB

AVAILABLE FINISHES

**10BE, BSP, C, D, G, SN, WSP**

REPLACEMENT INSERT: **P3 (BL, GR)**



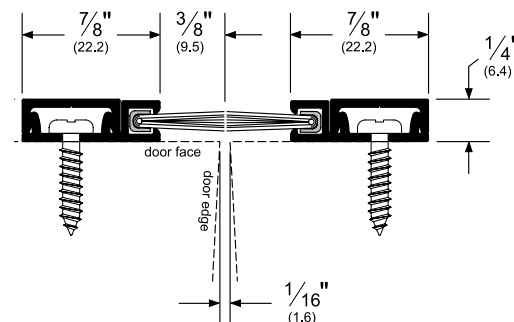
soft brush (SB)

### 29324\_NB

AVAILABLE FINISHES: **10BE, BSP, C, D, G, SN, WSP**

REPLACEMENT INSERT: **P516041 (BL, GR)**

ANSI: **R3A434, R3A435**



Alternate Insert For 29324

### 29324\_SB

AVAILABLE FINISHES:

**10BE, BSP, C, D, G, SN, WSP**

REPLACEMENT INSERT: **P3 (BL, GR)**



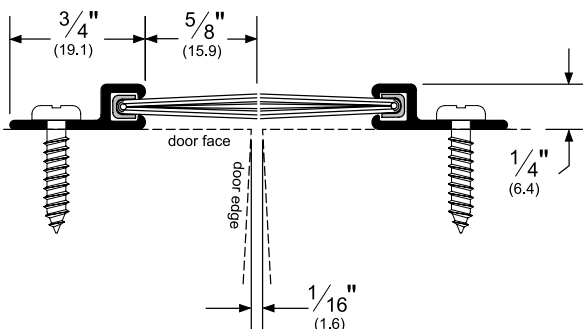
soft brush (SB)

### 18061\_NB

AVAILABLE FINISHES: **10BE, BSP, C, D, G, SN, WSP**

REPLACEMENT INSERT: **P516062 (BL, GR, W)**

ANSI: **R3A734**

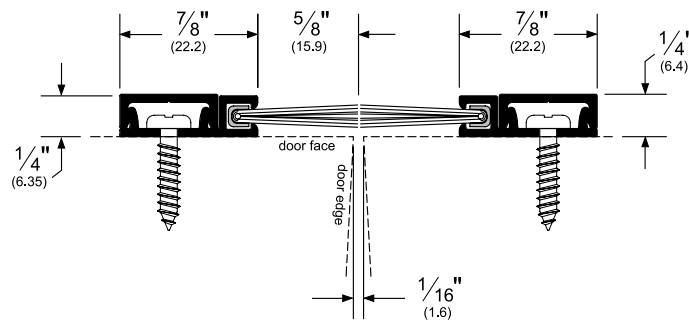


### 29326\_NB

AVAILABLE FINISHES: **10BE, BSP, C, D, G, SN, WSP**

REPLACEMENT INSERT: **P516062 (BL, GR, W)**

ANSI: **R3A764, R3A765**



NOTE: Products shown in this section may not be drawn to scale.

AVAILABLE FINISHES FOR PRODUCTS SHOWN ON THIS PAGE

**10BE** (Satin Bronze Powder Coat) **BSP** (Black Suede Powder Coat) **C** (Clear Anodized)

**D** (Dark Bronze Anodized) **G** (Gold Anodized) **SN** (Satin Nickel Anodized) **WSP** (White Suede Powder Coat)

800-824-3018 | [www.pemko.com](http://www.pemko.com)

Check the web site for the up-to-date catalog

Copyright © 2015-2023, ASSA ABLOY Accessories and Door Controls Group, Inc., an ASSA ABLOY Group company. All rights reserved. Reproduction in whole or in part without the express written permission of ASSA ABLOY Accessories and Door Controls Group, Inc. is prohibited.

**PEMKO**  
**ASSA ABLOY**

Experience a safer  
and more open world



Experience a safer  
and more open world

800-824-3018 | [www.pemko.com](http://www.pemko.com)  
*Check the web site for the up-to-date catalog*

Copyright © 2015-2023, ASSA ABLOY Accessories and Door Controls Group, Inc., an ASSA ABLOY Group company. All rights reserved.  
Reproduction in whole or in part without the express written permission of ASSA ABLOY Accessories and Door Controls Group, Inc. is prohibited.

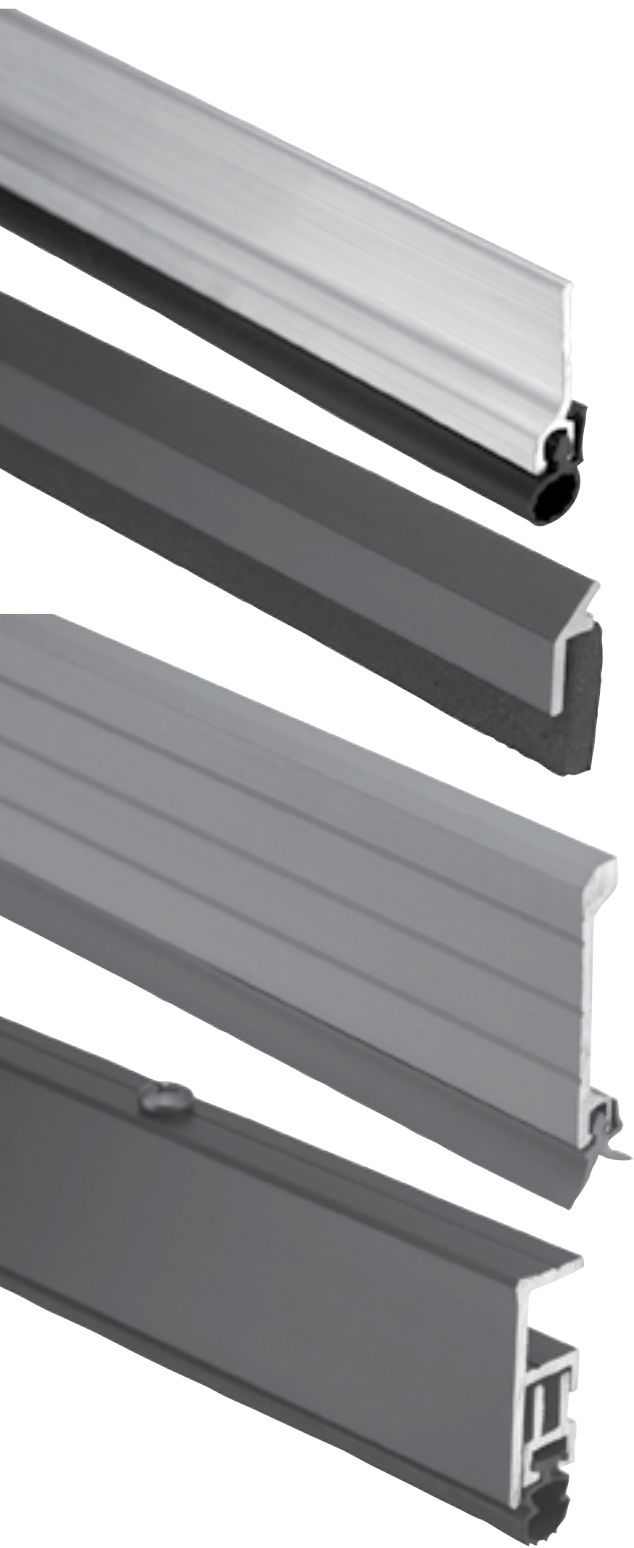
# PEMKO PERIMETER GASKETING

## CONTENTS:

Standard Perimeter Gasketing .....	182
Perimeter Gasket Solutions for Sliding Doors.....	185
Stainless Steel Perimeter Gasketing.....	186
Adjustable Jamb Gasketing.....	187
Heavy Duty Interlock Perimeter Gasketing .....	187
Heavy Duty Perimeter Gasketing - Head Section .....	188
Heavy Duty Perimeter Gasketing - Standard Jamb.....	189
Perimeter Gasket Jamb Brackets.....	189
Snap Cover Perimeter Gasketing With Concealed Fasteners.....	190
Kerf-In Weatherstrip.....	191
Magnetic Weatherstrip.....	192
Adhesive Perimeter Gasketing.....	192
MicroShield® Antimicrobial Adhesive Gasketing.....	193
Excessive Gap Perimeter Solution.....	194
Interlock Weatherstrip For Wood Windows .....	194
Interlock Weatherstrip For Wood Doors.....	195
Cushion/Spring Weatherstrip.....	195
Fasteners for Cushion, Spring and Interlock Weatherstrip .....	195
Privacy Seals for Sliding Doors.....	196

## INDEX:

PRODUCT	PAGE	PRODUCT	PAGE	PRODUCT	PAGE
2P.....	194	331 .....	195	NL1678 .....	195
4C .....	194	332 .....	183	NL1734CPXE_ .....	195
4P.....	194	335 .....	187	NL13516 .....	195
10.....	194	336 .....	187	P50 .....	192
30.....	195	350 .....	187	P51B17.....	195
41M.....	195	375.....	183	PEMKOSFSET .....	196
43.....	195	379 .....	187	PK33.....	193
70C-100 .....	195	394 .....	185	PK52.....	192
70D-100 .....	195	394 .....	196	PK55.....	193
70E-99 .....	195	950 .....	185	PY900 .....	185
73.....	195	950 .....	196	Q102.....	191
74 .....	195	2815_M.....	192	Q103.....	191
75.....	195	2891 .....	188	Q106 .....	191
285 .....	184	2892 .....	188	Q107.....	191
290 .....	189	2893 .....	188	Q108 .....	191
294 .....	185	2902 .....	189	S44 .....	192
296 .....	184	2903.....	189	S52.....	191
297.....	182	3151.....	184	S77 .....	193
303 .....	182	29310.....	190	S88 .....	192
305 .....	183	29313.....	190	S104 .....	191
305SS.....	186	29326.....	190	S105 .....	191
306 .....	185	29344 .....	190	S109 .....	191
309 .....	185	29346 .....	190	S442.....	193
312.....	184	29394.....	185	S771x6.....	193
315.....	184	29394.....	196	S773.....	192
315SS.....	186	AM88 .....	193	S776 .....	193
316.....	182	BKT050.....	189	XG90KIT .....	194
319.....	183	BKT075.....	189	XG900.....	194
319SS.....	186	BKT1532.....	189		
322 .....	187	HSS20XGxS773.....	194		
330 .....	184	MAG349.....	192		



800-824-3018 | [www.pemko.com](http://www.pemko.com)

Check the web site for the up-to-date catalog

Copyright © 2015-2023, ASSA ABLOY Accessories and Door Controls Group, Inc., an ASSA ABLOY Group company. All rights reserved. Reproduction in whole or in part without the express written permission of ASSA ABLOY Accessories and Door Controls Group, Inc. is prohibited.

**PEMKO**  
**ASSA ABLOY**

Experience a safer  
and more open world

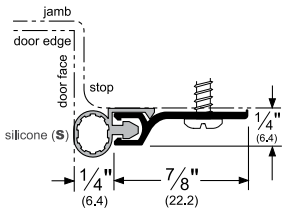
# STANDARD PERIMETER GASKETING

• Rigid jamb weatherstrip shown mounted on openings with  $\frac{1}{16}$ " gaps; however, each weatherstrip can seal gaps up to the depth of its seal. Seal depth provided on each illustration (example: the 303 has a  $\frac{1}{4}$ " seal; therefore, it can seal up to a  $\frac{1}{4}$ " gap)

• Punched on 6" centers with slotted holes for adjustment. Models 294, 303, and 306 are available with self-adhesive two-sided tape (TST) and tek screws (3 slotted holes per part) for easy installation. To obtain this option, add "TST" to the end of the part when ordering (example: 303AVTST)

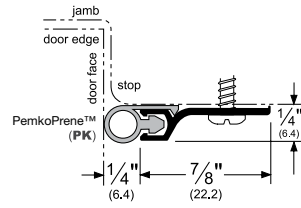
## 303\_S

AVAILABLE FINISHES:  
**10BE, A, BSP, C, D, G, PW, SN, WSP**  
 REPLACEMENT INSERT: **S3 (BL, W)**  
 ANSI: **R3E164, R3E165**



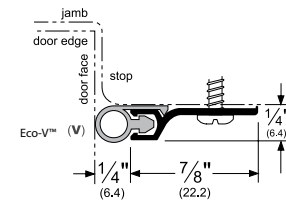
## 303\_PK

AVAILABLE FINISHES:  
**10BE, A, BSP, C, D, G, PW, SN, WSP**  
 REPLACEMENT INSERT: **PK47 (BL, GR)**  
 ANSI: **R3G164**



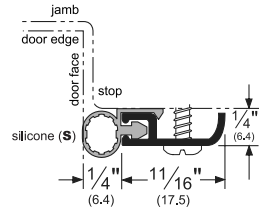
## 303\_V

AVAILABLE FINISHES:  
**10BE, A, BSP, C, D, G, PW, SN, WSP**  
 REPLACEMENT INSERT: **EV47 (BL, GR, W)**



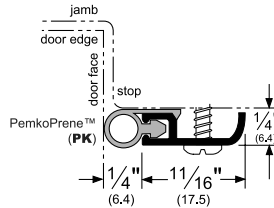
## 316\_S

AVAILABLE FINISHES:  
**10BE, A, BDG, BSP, D, G, WSP**  
 REPLACEMENT INSERT: **S3 (BL, W)**  
 ANSI: **R3E164, R3E165**



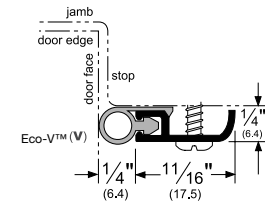
## 316\_PK

AVAILABLE FINISHES:  
**10BE, A, BDG, BSP, D, G, WSP**  
 REPLACEMENT INSERT: **PK47 (BL, GR)**  
 ANSI: **R3G164, R3G165**



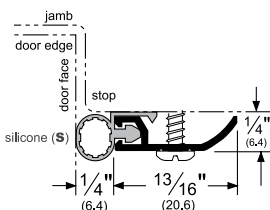
## 316\_V

AVAILABLE FINISHES:  
**10BE, A, BDG, BSP, D, G, WSP**  
 REPLACEMENT INSERT: **EV47 (BL, GR, W)**



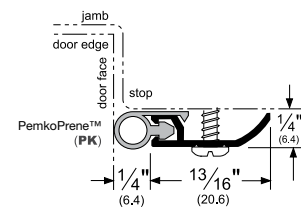
## 297\_S

AVAILABLE FINISHES:  
**10BE, A, BDG, BSP, D, PW, SN, WSP**  
 REPLACEMENT INSERT: **S3 (BL, W)**  
 ANSI: **R3E164, R3E165**



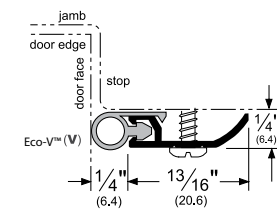
## 297\_PK

AVAILABLE FINISHES:  
**10BE, A, BDG, BSP, D, PW, SN, WSP**  
 REPLACEMENT INSERT: **PK47 (BL, GR)**  
 ANSI: **R3G164, R3G165**



## 297\_V

AVAILABLE FINISHES:  
**10BE, A, BDG, BSP, D, PW, SN, WSP**  
 REPLACEMENT INSERT: **EV47 (BL, GR, W)**



NOTE: Products shown in this section may not be drawn to scale.

### AVAILABLE FINISHES FOR PRODUCTS SHOWN ON THIS PAGE

**10BE** (Satin Bronze Powder Coat) **A** (Mill Finish Aluminum) **BDG** (Bright Dip Gold Anodized)  
**BSP** (Black Suede Powder Coat) **C** (Clear Anodized) **D** (Dark Bronze Anodized) **G** (Gold Anodized)  
**PW** (Painted White) **SN** (Satin Nickel Anodized) **WSP** (White Suede Powder Coat)



Experience a safer  
and more open world

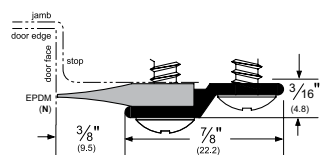
800-824-3018 | www.pemko.com  
 Check the web site for the up-to-date catalog

Copyright © 2015-2023, ASSA ABLOY Accessories and Door Controls Group, Inc., an ASSA ABLOY Group company. All rights reserved.  
 Reproduction in whole or in part without the express written permission of ASSA ABLOY Accessories and Door Controls Group, Inc. is prohibited.

# STANDARD PERIMETER GASKETING (Cont.)

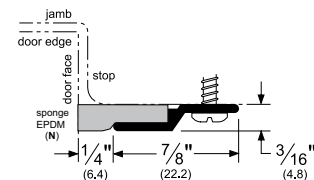
## 305\_N

AVAILABLE FINISHES:  
**10BE, B, BSP, C, D, WSP**  
 REPLACEMENT INSERT: **E2 (BL, GR)**  
 ANSI (alum): **R3G164, R3G165**  
 ANSI (brass): **R1G164, R1G165**



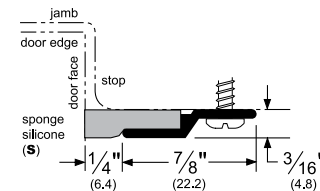
## 305\_R

AVAILABLE FINISHES:  
**10BE, B, BSP, C, D, G, WSP**  
 REPLACEMENT INSERT: **ER1 (BL)**  
 ANSI (alum): **R3G164, R3G165**  
 ANSI (brass): **R1G164, R1G165**



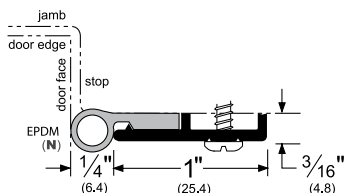
## 305\_S

AVAILABLE FINISHES:  
**10BE, B, BSP, C, D, G, WSP**  
 REPLACEMENT INSERT: **SR1 (BL)**  
 ANSI: **R3E164, R3E165**



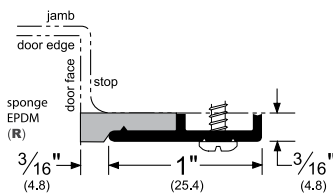
## 319\_N

AVAILABLE FINISHES: **10BE, BSP, C, D, G, WSP**  
 REPLACEMENT INSERT: **E11 (BL)**  
 ANSI: **R3G164, R3G165**



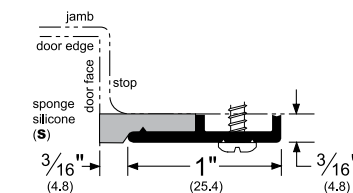
## 319\_R

AVAILABLE FINISHES: **10BE, BSP, C, D, G, WSP**  
 REPLACEMENT INSERT: **ER1 (BL)**  
 ANSI: **R3G164, R3G165**



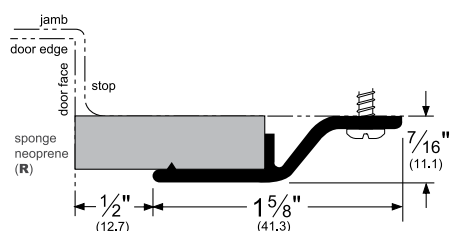
## 319\_S

AVAILABLE FINISHES: **10BE, BSP, C, D, G, WSP**  
 REPLACEMENT INSERT: **SR1 (BL)**  
 ANSI: **R3E165**



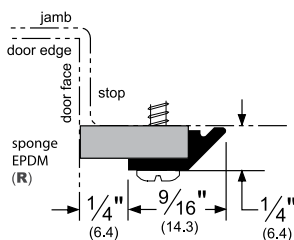
## 375\_R

AVAILABLE FINISHES:  
**10BE, BSP, C, D, G, WSP**  
 REPLACEMENT INSERT: **ER6 (BL)**  
 ANSI (alum): **R3C164, R3C165**



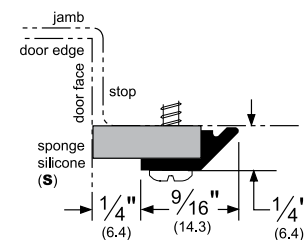
## 332\_R

AVAILABLE FINISHES:  
**10BE, BSP, C, D, WSP**  
 REPLACEMENT INSERT: **ER1 (BL)**  
 ANSI: **R3G164, R3G165**



## 332\_S

AVAILABLE FINISHES:  
**10BE, BSP, C, D, WSP**  
 REPLACEMENT INSERT: **SR1 (BL)**  
 ANSI: **R3E164, R3E165**



NOTE: Products shown in this section may not be drawn to scale.

AVAILABLE FINISHES FOR PRODUCTS SHOWN ON THIS PAGE

**10BE** (Satin Bronze Powder Coat) **A** (Mill Finish Aluminum) **B** (Mill Finish Extruded Bronze [Brass])  
**BDG** (Bright Dip Gold Anodized) **BSP** (Black Suede Powder Coat) **C** (Clear Anodized)  
**D** (Dark Bronze Anodized) **G** (Gold Anodized) **WSP** (White Suede Powder Coat)

800-824-3018 | www.pemko.com

Check the web site for the up-to-date catalog

Copyright © 2015-2023, ASSA ABLOY Accessories and Door Controls Group, Inc., an ASSA ABLOY Group company. All rights reserved.  
 Reproduction in whole or in part without the express written permission of ASSA ABLOY Accessories and Door Controls Group, Inc. is prohibited.

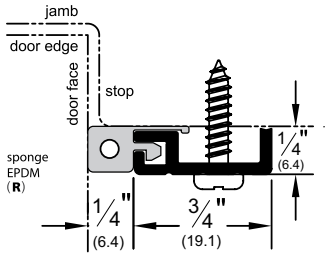


Experience a safer  
and more open world

# STANDARD PERIMETER GASKETING (Cont.)

## 312\_R

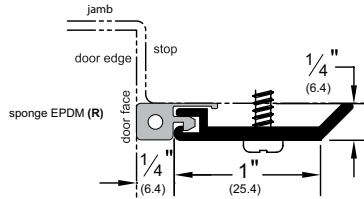
AVAILABLE FINISHES:  
**10BE, BSP, C, D, G, WSP**  
 REPLACEMENT INSERT: **ER9BL (BL)**  
 ANSI (alum): **R3G164, R3G165**



## 315\_R

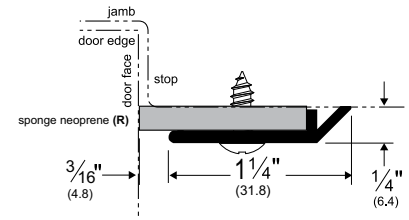
AVAILABLE FINISHES:  
**10BE, B, BSP, C, D, WSP**  
 REPLACEMENT INSERT: **ER9BL (BL)**  
 ANSI (alum): **R3G164, R3G165**

• Please consult website for correct 315BR profile.



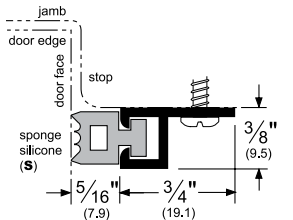
## 3151\_R

AVAILABLE FINISHES:  
**10BE, BSP, C, D, G, WSP**  
 REPLACEMENT INSERT: **ER2 (BL)**  
 ANSI (alum): **R3G164**



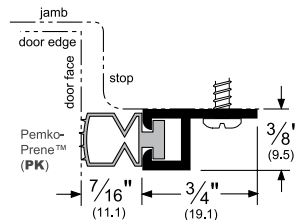
## 296\_S

AVAILABLE FINISHES:  
**10BE, BSP, C, D, WSP**  
 REPLACEMENT INSERT: **SR6 (BL)**  
 ANSI (alum): **R3E164, R3E165**



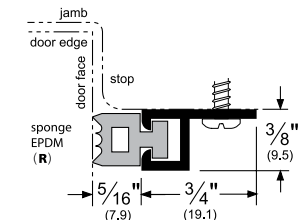
## 296\_PK

AVAILABLE FINISHES:  
**10BE, BSP, C, D, WSP**  
 REPLACEMENT INSERT: **PK4132 (BL)**  
 ANSI (alum): **R3G164, R3G165**



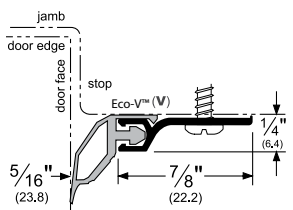
## 296\_R

AVAILABLE FINISHES:  
**10BE, BSP, C, D, WSP**  
 REPLACEMENT INSERT: **E7 (BL)**  
 ANSI (alum): **R3G164, R3G165**



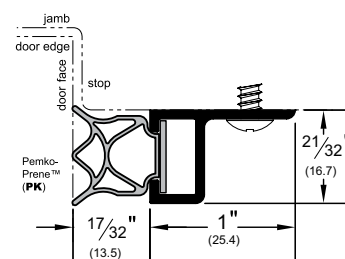
## 330\_V

AVAILABLE FINISHES:  
**10BE, A, BSP, D, SN, WSP**  
 REPLACEMENT INSERT: **EV61 (BL, GR)**



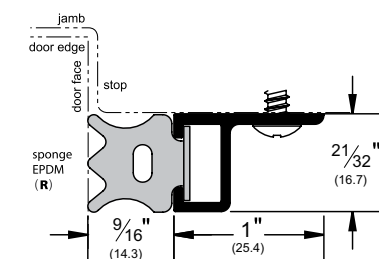
## 285\_PK

AVAILABLE FINISHES:  
**10BE, BSP, C, D, G, WSP**  
 REPLACEMENT INSERT: **PK4304 (BL)**  
 ANSI (alum): **R3G164, R3G165**



## 285\_R

AVAILABLE FINISHES:  
**10BE, BSP, C, D, G, WSP**  
 REPLACEMENT INSERT: **E4303 (BL)**  
 ANSI (alum): **R3G166**



NOTE: Products shown in this section may not be drawn to scale.

AVAILABLE FINISHES FOR PRODUCTS SHOWN ON THIS PAGE

**10BE** (Satin Bronze Powder Coated Aluminum) **A** (Mill Finish Aluminum) **B** (Mill Finish Extruded Bronze [Brass])  
**BSP** (Black Suede Powder Coated Aluminum) **C** (Clear Anodized) **D** (Dark Bronze Anodized)  
**G** (Gold Anodized) **SN** (Satin Nickel Anodized) **WSP** (White Suede Powder Coated Aluminum)

**PEMKO**  
**ASSA ABLOY**

Experience a safer  
 and more open world

800-824-3018 | www.pemko.com  
 Check the web site for the up-to-date catalog

Copyright © 2015-2023, ASSA ABLOY Accessories and Door Controls Group, Inc., an ASSA ABLOY Group company. All rights reserved.  
 Reproduction in whole or in part without the express written permission of ASSA ABLOY Accessories and Door Controls Group, Inc. is prohibited.

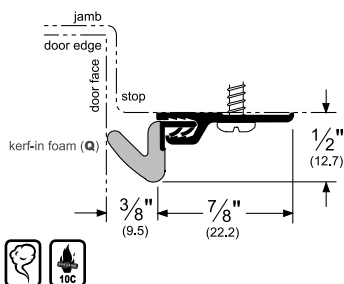


# STANDARD PERIMETER GASKETING (Cont.)

## 306\_Q

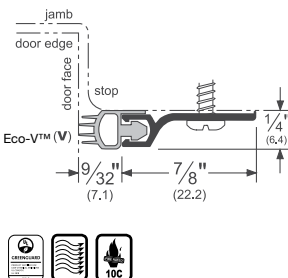
AVAILABLE FINISHES: **10BE, A, BSP, D, WSP**  
 REPLACEMENT INSERT: **Q103 (D, W)**

- Minimum space between the door face and the stop is  $\frac{3}{16}$ " ; maximum space is  $\frac{5}{16}$ "
- Note insert color when ordering:  
 Dark Brown (D) or White (W)



## 306\_V

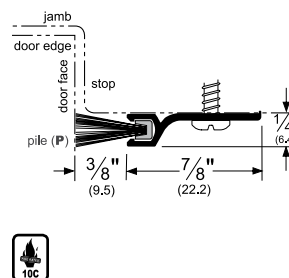
AVAILABLE FINISHES:  
**10BE, A, BSP, D, WSP**  
 REPLACEMENT INSERT: **EV59 (BL, GR)**



## 309\_P

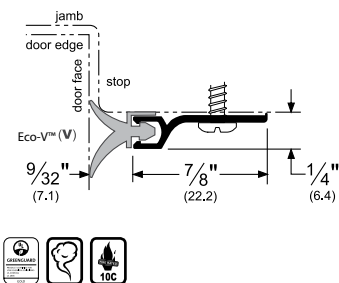
AVAILABLE FINISHES: **10BE, A, BSP, D, WSP**  
 REPLACEMENT INSERT: **P3 (BL, GR)**

- Minimum space between the door face and the stop is  $\frac{3}{16}$ " ; maximum space is  $\frac{5}{16}$ "
- May also be used as a door bottom sweep



## 294\_V

AVAILABLE FINISHES:  
**10BE, A, BSP, D, PW, SN, WSP**  
 REPLACEMENT INSERT: **EV60 (GR)**



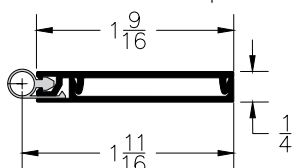
# PERIMETER GASKET SOLUTIONS FOR SLIDING DOORS

- For Seal Set information, please see sets outlined on page 202

## 29394\_PK

AVAILABLE FINISHES: **10BE, BSP, C, D, WSP**  
 REPLACEMENT INSERT: **PK47 (GR, BL)**

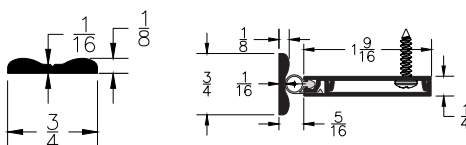
- Perimeter sealing, used with 394 wall-mounted ramp



## 394

AVAILABLE FINISHES:  
**10BE, BSP, C, D, WSP**

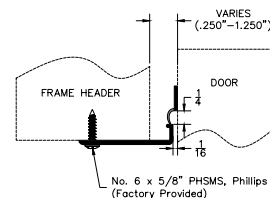
- Wall-mounted ramp used with 29394\_PK



## 950

AVAILABLE FINISHES:  
**10BE, BSP, C, D, WSP**  
 REPLACEMENT INSERT: **PY900 (BL)**

- Head mounted sealing system



NOTE: Products shown in this section may not be drawn to scale.

AVAILABLE FINISHES FOR PRODUCTS SHOWN ON THIS PAGE

**10BE** (Satin Bronze Powder Coated Aluminum) **A** (Mill Finish Aluminum)  
**BSP** (Black Suede Powder Coated Aluminum) **C** (Clear Anodized) **D** (Dark Bronze Anodized)  
**PW** (Painted White) **SN** (Satin Nickel Anodized) **WSP** (White Suede Powder Coated Aluminum)

800-824-3018 | www.pemko.com

Check the web site for the up-to-date catalog

Copyright © 2015-2023, ASSA ABLOY Accessories and Door Controls Group, Inc., an ASSA ABLOY Group company. All rights reserved. Reproduction in whole or in part without the express written permission of ASSA ABLOY Accessories and Door Controls Group, Inc. is prohibited.

**PEMKO**  
**ASSA ABLOY**

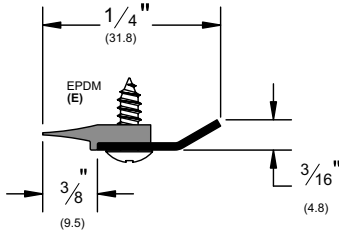
Experience a safer  
 and more open world

# STAINLESS STEEL PERIMETER GASKETING

- Stainless Steel is a tough and durable material that tolerates exposure to chemicals and heavy use
- Easy to clean to meet sanitary requirements
- Manufactured from 430 Stainless Steel
- Long lasting with low cost of ownership

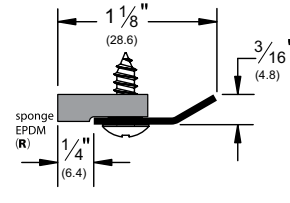
## 305SSE

AVAILABLE FINISH: **SS (#4 Finish)**  
 REPLACEMENT INSERT: **E2 (BL, GR)**  
 ANSI: **R5G164, R5G165**



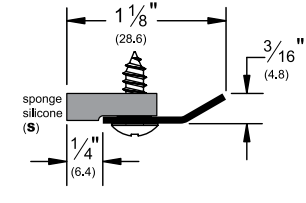
## 305SSR

AVAILABLE FINISH: **SS (#4 Finish)**  
 REPLACEMENT INSERT: **ER1 (BL)**  
 ANSI: **R5G164, R5G165**



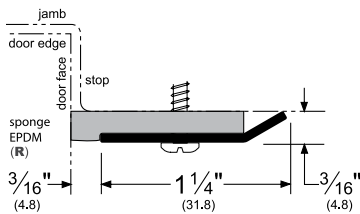
## 305SSS

AVAILABLE FINISH: **SS (#4 Finish)**  
 REPLACEMENT INSERT: **SR1 (BL)**  
 ANSI: **R5E164, R5E165**



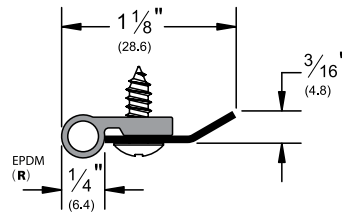
## 315SSR

AVAILABLE FINISH: **SS (#4 Finish)**  
 REPLACEMENT INSERT: **ER2 (BL)**  
 ANSI: **R5G164, R5G165**



## 319SSN

AVAILABLE FINISH: **SS (#4 Finish)**  
 REPLACEMENT INSERT: **E11 (BL)**  
 ANSI: **R5G164, R5G165**



NOTE: Products shown in this section may not be drawn to scale.

AVAILABLE FINISHES FOR PRODUCTS SHOWN ON THIS PAGE  
**SS** (See Individual Part)



Experience a safer  
and more open world

800-824-3018 | [www.pemko.com](http://www.pemko.com)  
 Check the web site for the up-to-date catalog

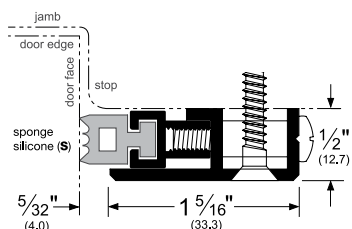
Copyright © 2015-2023, ASSA ABLOY Accessories and Door Controls Group, Inc., an ASSA ABLOY Group company. All rights reserved. Reproduction in whole or in part without the express written permission of ASSA ABLOY Accessories and Door Controls Group, Inc. is prohibited.

# ADJUSTABLE JAMB GASKETING

- Adjustable jamb gasketing is shown mounted on openings with  $\frac{1}{16}$ " gaps; however, each weatherstrip can seal gaps up to  $\frac{1}{4}$ "
- Adjustable jamb weatherstrip can adjust  $\frac{3}{16}$ " out from the position illustrated

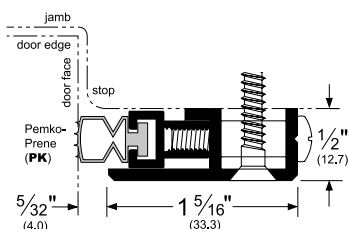
## 379\_S

AVAILABLE FINISHES: **10BE, BSP, C, D, G, WSP**  
 REPLACEMENT INSERT: **SR6 (BL)**  
 ANSI: **R3E264, R3E265**



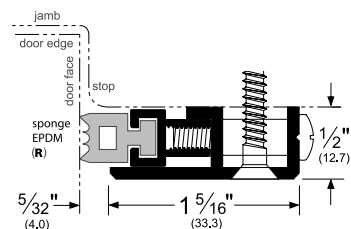
## 379\_PK

AVAILABLE FINISHES: **10BE, BSP, C, D, G, WSP**  
 REPLACEMENT INSERT: **PK4132 (BL)**  
 ANSI: **R3G264, R3G265**



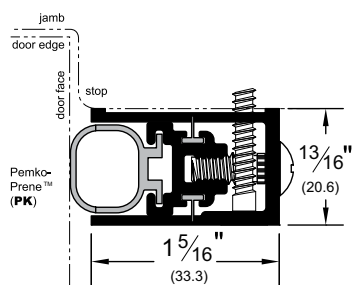
## 379\_R

AVAILABLE FINISHES: **10BE, BSP, C, D, G, WSP**  
 REPLACEMENT INSERT: **E7 (BL)**  
 ANSI: **R3G264, R3G265**



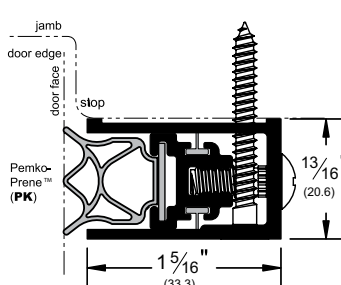
## 322\_SPK

AVAILABLE FINISHES: **10BE, BSP, C, D, WSP**  
 REPLACEMENT INSERT: **PK121 (BL)**



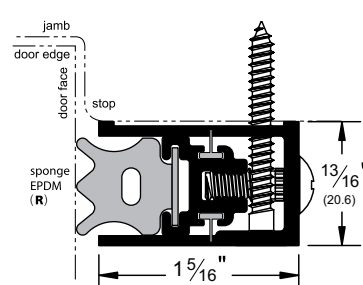
## 350\_SPK

AVAILABLE FINISHES: **10BE, BSP, C, D, WSP**  
 REPLACEMENT INSERT: **PK4304 (BL)**  
 ANSI: **R3G164, R3G165**



## 350\_SR

AVAILABLE FINISHES: **10BE, BSP, C, D, WSP**  
 REPLACEMENT INSERT: **E4303 (BL)**  
 ANSI: **R3G164, R3G165**

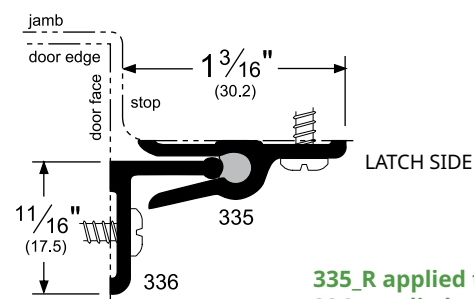


# HEAVY DUTY INTERLOCK PERIMETER GASKETING

## 335\_R

AVAILABLE FINISHES: **A**

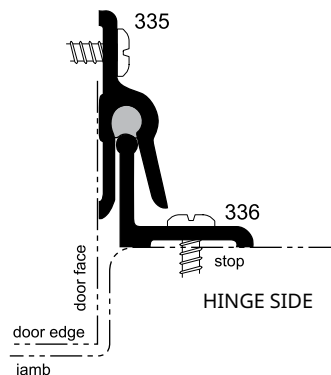
NOTE: Diagram consists of two parts, each sold separately.



**335\_R applied to jamb;**  
**336\_ applied to door.**

## 336\_

AVAILABLE FINISHES: **A**



NOTE: Products shown in this section may not be drawn to scale.

AVAILABLE FINISHES FOR PRODUCTS SHOWN ON THIS PAGE

**10BE** (Satin Bronze Powder Coated Aluminum) **A** (Mill Finish Aluminum) **BSP** (Black Suede Powder Coated Aluminum)  
**C** (Clear Anodized) **D** (Dark Bronze Anodized) **G** (Gold Anodized) **WSP** (White Suede Powder Coated Aluminum)

800-824-3018 | www.pemko.com

Check the web site for the up-to-date catalog

Copyright © 2015-2023, ASSA ABLOY Accessories and Door Controls Group, Inc., an ASSA ABLOY Group company. All rights reserved. Reproduction in whole or in part without the express written permission of ASSA ABLOY Accessories and Door Controls Group, Inc. is prohibited.



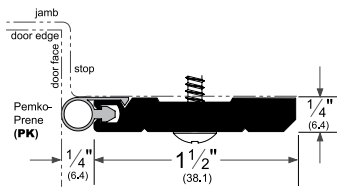
Experience a safer  
and more open world

# HEAVY DUTY PERIMETER GASKETING - HEAD SECTION

- For the head section of the frame where a parallel arm closer bracket or other hardware is required. Supplied undrilled (36") or drilled (80" and above) and supplied with sheet metal screws for mounting
- If used as a stop, flat head machine screws can be provided upon request and take a countersunk #10 hole. Pemko will drill the head member only if drilling instructions for countersink holes are provided
- All gasketing shown below is sold individually

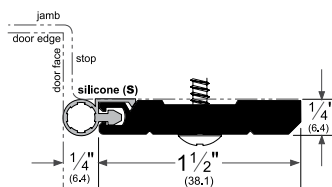
## 2891\_PK

AVAILABLE FINISHES: **10BE, A, BSP, D, G, WSP**  
 REPLACEMENT INSERT: **PK47 (BL, GR)**  
 ANSI: **R3G164, R3G165**



## 2891\_S

AVAILABLE FINISHES: **10BE, A, BSP, D, G, WSP**  
 REPLACEMENT INSERT: **S3 (BL, W)**  
 ANSI: **R3E164, R3E165**

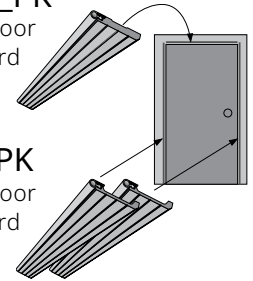


## 2891\_PK

1 per door standard

## 290\_PK

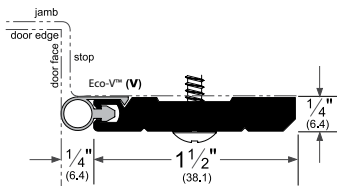
2 per door standard



When ordering a head section such as 2891\_PK, two corresponding side sections (i.e. 290\_PK) should also be ordered for the latch and hinge sides of the frame.

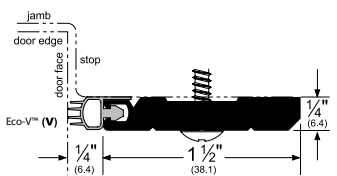
## 2891\_V

AVAILABLE FINISHES: **10BE, A, BSP, D, WSP**  
 REPLACEMENT INSERT: **EV47 (BL, GR, W)**



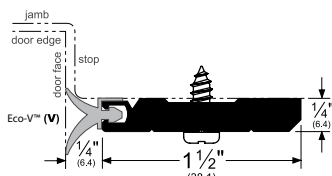
## 2892\_V

AVAILABLE FINISHES: **10BE, A, BSP, D, WSP**  
 REPLACEMENT INSERT: **EV59 (BL, GR, W)**



## 2893\_V

AVAILABLE FINISHES: **10BE, A, BSP, D, WSP**  
 REPLACEMENT INSERT: **EV60 (GR)**



NOTE: Products shown in this section may not be drawn to scale.

AVAILABLE FINISHES FOR PRODUCTS SHOWN ON THIS PAGE

**10BE** (Satin Bronze Powder Coated Aluminum) **A** (Mill Finish Aluminum) **BSP** (Black Suede Powder Coated Aluminum) **D** (Dark Bronze Anodized) **G** (Gold Anodized) **WSP** (White Suede Powder Coated Aluminum)



Experience a safer and more open world

800-824-3018 | [www.pemko.com](http://www.pemko.com)

Check the web site for the up-to-date catalog

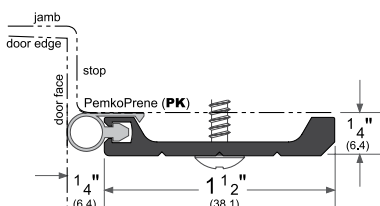
Copyright © 2015-2023, ASSA ABLOY Accessories and Door Controls Group, Inc., an ASSA ABLOY Group company. All rights reserved. Reproduction in whole or in part without the express written permission of ASSA ABLOY Accessories and Door Controls Group, Inc. is prohibited.

## HEAVY DUTY PERIMETER GASKETING - STANDARD JAMB

- For the head section of the frame where a parallel arm closer bracket or other hardware is required. Supplied undrilled (36") or drilled (80" and above) and supplied with sheet metal screws for mounting
- If used as a stop, flat head machine screws can be provided upon request and take a countersunk #10 hole. Pemko will drill the head member only if drilling instructions for countersink holes are provided
- All gasketing shown below is sold individually

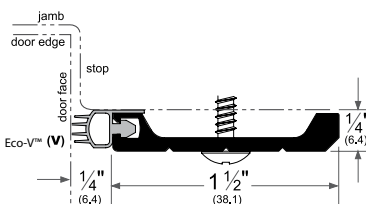
### 290\_PK

AVAILABLE FINISHES: **10BE, A, BSP, D, G, WSP**  
 REPLACEMENT INSERT: **PK47 (BL, GR)**  
 ANSI: **R3G164, R3G165**



### 2902\_V

AVAILABLE FINISHES: **10BE, A, BSP, D, G, WSP**  
 REPLACEMENT INSERT: **EV59 (BL, GR, W)**



### Alternate Inserts For 290

#### 290\_S

AVAILABLE FINISHES: **A, D, G**  
 REPLACEMENT INSERT: **S3 (BL, W)**  
 ANSI: **R3E164, R3E165**



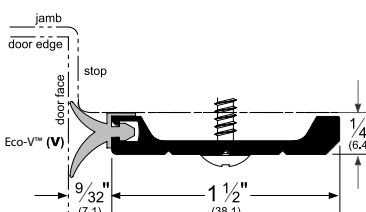
#### 290\_V

AVAILABLE FINISHES: **A, D, G**  
 REPLACEMENT INSERT: **EV47 (BL, GR, W)**



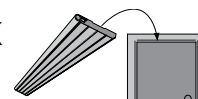
### 2903\_V

AVAILABLE FINISHES: **10BE, A, BSP, D, G, WSP**  
 REPLACEMENT INSERT: **EV60 (GR)**



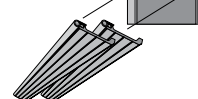
### 2891\_PK

1 per door standard



### 290\_PK

2 per door standard



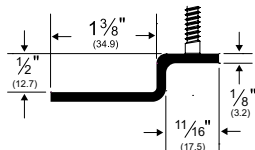
When ordering a head section such as 2891\_PK, two corresponding side sections (i.e. 290\_PK) should also be ordered for the latch and hinge sides of the frame.

## PERIMETER GASKET JAMB BRACKETS

- For use with standard perimeter gasket profiles when opening utilizes a parallel arm closer
- Mount perimeter gasket first, then bracket over the profile. Closer bracket will mount to face of bracket.
- Furnished in paintable galvanized steel (SP) or gray prime coat (G); available in powder coated finishes
- Supplied in 6" lengths

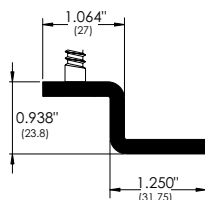
### BKT050\_

AVAILABLE FINISHES: **10BE, BSP, SP, G, WSP**



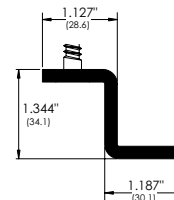
### BKT075\_

AVAILABLE FINISHES: **10BE, BSP, SP, G, WSP**



### BKT1532\_

AVAILABLE FINISHES: **10BE, BSP, SP, G, WSP**



NOTE: Products shown in this section may not be drawn to scale.

AVAILABLE FINISHES FOR PRODUCTS SHOWN ON THIS PAGE  
 (see General Information section for finish chart)

**10BE** (Satin Bronze Powder Coated Aluminum) **A** (Mill Finish Aluminum) **BSP** (Black Suede Powder Coated Aluminum)  
**D** (Dark Bronze Anodized) **G** (Gold Anodized) **WSP** (White Suede Powder Coated Aluminum)

AVAILABLE BRACKET FINISHES FOR PRODUCTS SHOWN ON THIS PAGE  
**G** (Gray Prime Painted Steel) **SP** (Galvanized Steel)

800-824-3018 | www.pemko.com

Check the web site for the up-to-date catalog

Copyright © 2015-2023, ASSA ABLOY Accessories and Door Controls Group, Inc., an ASSA ABLOY Group company. All rights reserved.  
 Reproduction in whole or in part without the express written permission of ASSA ABLOY Accessories and Door Controls Group, Inc. is prohibited.

**PEMKO**  
**ASSA ABLOY**

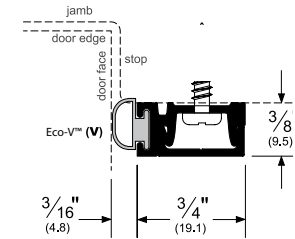
Experience a safer  
 and more open world

# SNAP COVER PERIMETER GASKETING WITH CONCEALED FASTENERS

- Low-profile snap cover conceals mounting screws to provide security and a clean aesthetic appearance
- Cover snaps securely in place to deter vandalism
- All clear anodized brush products are supplied with gray brush (black brush available upon request)

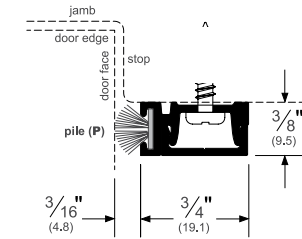
## 29310\_V

AVAILABLE FINISHES: **10BE, BSP, C, D, G, WSP**  
REPLACEMENT INSERT: **EV41 (BL, GR, W)**



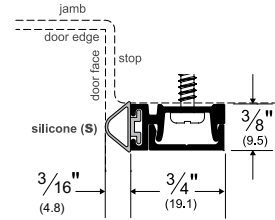
## 29310\_P

AVAILABLE FINISHES: **10BE, BSP, C, D, G, WSP**  
REPLACEMENT INSERT: **P2 (BL, GR)**



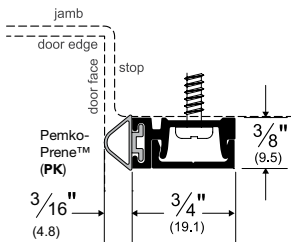
## 29310\_S

AVAILABLE FINISHES: **10BE, BSP, C, D, G, WSP**  
REPLACEMENT INSERT: **S4 (BL, GR)**  
ANSI: **R3E164, R3E165**



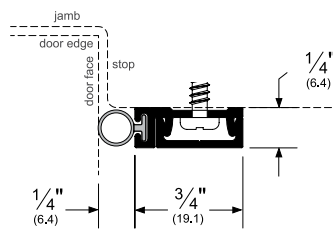
## 29310\_PK

AVAILABLE FINISHES: **10BE, BSP, C, D, G, WSP**  
REPLACEMENT INSERT: **S4 (BL, GR)**  
ANSI: **R3G164, R3G165**



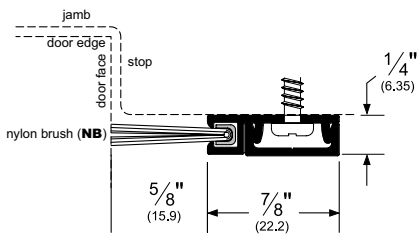
## 29313\_PK

AVAILABLE FINISHES: **10BE, BSP, C, D, WSP**  
REPLACEMENT INSERT: **PK588 (BL)**



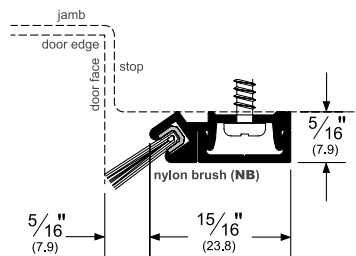
## 29326\_NB

AVAILABLE FINISHES: **10BE, BSP, C, D, G, WSP**  
REPLACEMENT INSERT: **P516062 (BL, GR, W)**  
ANSI: **R3A164, R3A165**



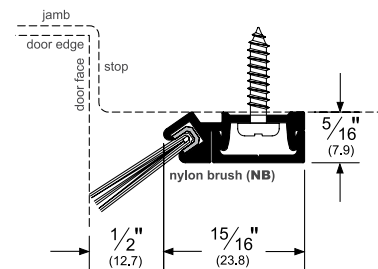
## 29344\_NB

AVAILABLE FINISHES: **10BE, BSP, C, D, G, WSP**  
REPLACEMENT INSERT: **P516041 (BL, GR)**  
ANSI: **R3A164**



## 29346\_NB

AVAILABLE FINISHES: **10BE, BSP, C, D, G, WSP**  
REPLACEMENT INSERT: **P516062 (BL, GR, W)**  
ANSI: **R3A164**



NOTE: Products shown in this section may not be drawn to scale.

AVAILABLE FINISHES FOR PRODUCTS SHOWN ON THIS PAGE

**10BE** (Satin Bronze Powder Coated Aluminum) **BSP** (Black Suede Powder Coated Aluminum) **C** (Clear Anodized) **D** (Dark Bronze Anodized) **G** (Gold Anodized) **WSP** (White Suede Powder Coated Aluminum)

800-824-3018 | [www.pemko.com](http://www.pemko.com)

Check the web site for the up-to-date catalog

**PEMKO**  
**ASSA ABLOY**

Experience a safer  
and more open world

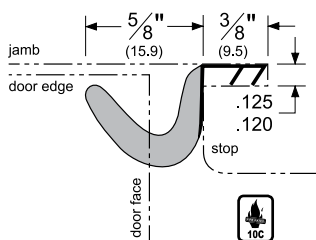
# KERF-IN WEATHERSTRIP

## Foam

- Pemko's "Q" foam kerf-in weatherstrip is constructed from soft cell foam enclosed by an embossed, tear-resistant, low-friction, UV-stable polyethylene cover
- Includes rigid PVC insert with extended flange for fast and easy kerf installation

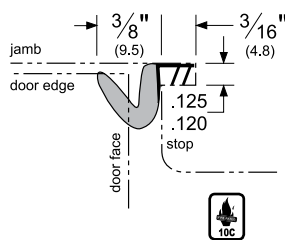
### Q102\_

AVAILABLE FINISHES: **BL, D, W**  
 AVAILABLE LENGTHS: **36", 85", 97", 121"**  
 Minimum space between the door face and the stop is  $\frac{5}{16}$ "; maximum space is  $\frac{1}{2}$ "



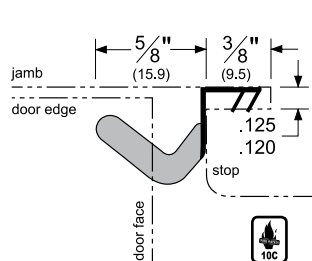
### Q103\_

AVAILABLE FINISHES: **BL, D, W**  
 AVAILABLE LENGTHS: **36", 85", 97", 121"**  
 Minimum space between the door face and the stop is  $\frac{3}{16}$ "; maximum space is  $\frac{5}{16}$ "



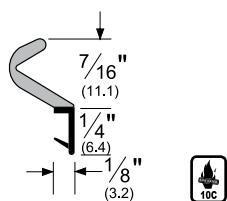
### Q106\_

AVAILABLE FINISHES: **D, W**  
 AVAILABLE LENGTHS: **36", 85", 97", 121"**  
 Minimum space between the door face and the stop is  $\frac{5}{16}$ "; maximum space is  $\frac{1}{2}$ "



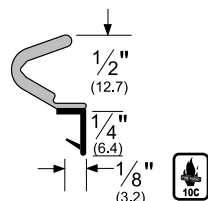
### Q107\_

AVAILABLE FINISHES: **BL, W**  
 Minimum space between the door face and the stop is  $\frac{1}{8}$ "; maximum space is  $\frac{7}{16}$ "  
 Sold per foot (specify length)



### Q108\_

AVAILABLE FINISHES: **BL, W**  
 Minimum space between the door face and the stop is  $\frac{1}{8}$ "; maximum space is  $\frac{1}{2}$ "  
 Sold per foot (specify length)

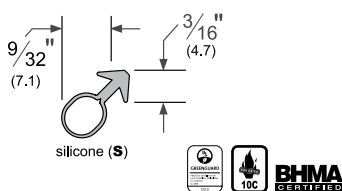


## Silicone

- Extruded from platinum cross-linked silicon
- Self-extinguishing and non-toxic
- Unaffected by sunlight, ozone, and ultraviolet rays
- Impervious to fungus and mildew; will not deteriorate under normal exposure
- Available in 100ft lengths

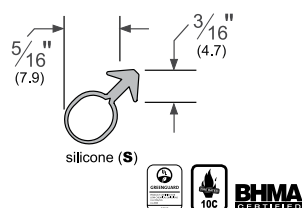
### S104\_100

AVAILABLE FINISHES: **D, W**  
 ANSI: **ROE156**  
 Minimum space between the door face and the stop is  $\frac{1}{16}$ "; maximum space is  $\frac{1}{4}$ "



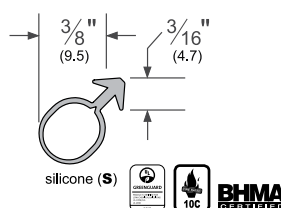
### S109\_100

AVAILABLE FINISHES: **D, W**  
 ANSI: **ROE156**  
 Minimum space between the door face and the stop is  $\frac{1}{16}$ "; maximum space is  $\frac{5}{16}$ "



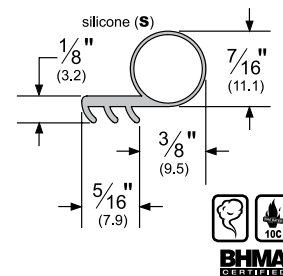
### S105\_100

AVAILABLE FINISHES: **D, W**  
 ANSI: **ROE156**  
 Minimum space between the door face and the stop is  $\frac{1}{16}$ "; maximum space is  $\frac{3}{8}$ "



### S52\_100

AVAILABLE FINISHES: **BL, W**  
 ANSI: **ROE154**  
 Minimum space between the door face and the stop is  $\frac{1}{16}$ "; maximum space is  $\frac{3}{8}$ "



NOTE: Products shown in this section may not be drawn to scale.

AVAILABLE FINISHES FOR PRODUCTS SHOWN ON THIS PAGE

**BL** (Black) **D** (Black) **W** (White)

800-824-3018 | www.pemko.com

Check the web site for the up-to-date catalog

Copyright © 2015-2023, ASSA ABLOY Accessories and Door Controls Group, Inc., an ASSA ABLOY Group company. All rights reserved. Reproduction in whole or in part without the express written permission of ASSA ABLOY Accessories and Door Controls Group, Inc. is prohibited.

**PEMKO**  
**ASSA ABLOY**

Experience a safer  
 and more open world

# KERF-IN WEATHERSTRIP (Cont.)

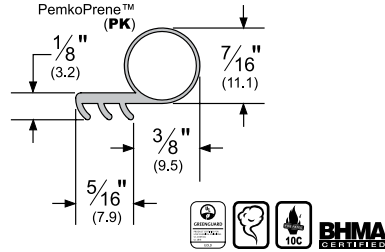
## PK52\_

AVAILABLE FINISHES: **BL, W**

ANSI: **ROG154**

AVAILABLE LENGTHS: **18', 20', 300'**

- Minimum space between the door face and the stop is  $\frac{1}{16}$ "; maximum space is  $\frac{3}{8}$ "

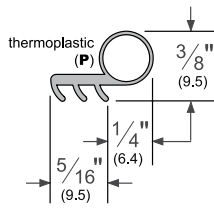


## P50\_

AVAILABLE FINISHES: **BL, W**

AVAILABLE LENGTHS: **17', 25', 250'**

- Minimum space between the door face and the stop is  $\frac{1}{16}$ "; maximum space is  $\frac{5}{16}$ ".
- Thermoplastic elastomer formulation will not transigrate; remains flexible to -60° F

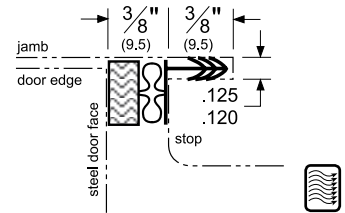


## MAG349\_

AVAILABLE FINISHES: **D, W**

AVAILABLE LENGTHS: **37', 85", 96", 121"**

- Minimum space between the door face and the stop is  $\frac{3}{8}$ "; maximum space is  $\frac{7}{16}$ "
- Magnetic kerf-in weatherstrip features a magnetic strip encased by a UV-stable TPE cover
- Use for steel-faced door and wood frame applications
- Can be trimmed in the field and corner-mitered

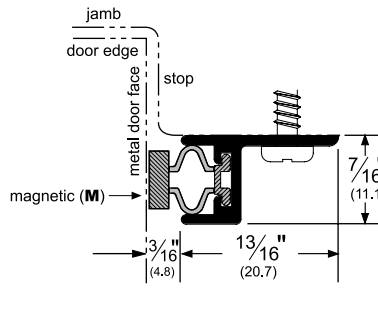


# MAGNETIC WEATHERSTRIP

## 2815\_M

AVAILABLE FINISHES: **C, D, G**

REPLACEMENT INSERT: **2815MAG**



# ADHESIVE PERIMETER GASKETING

For more information on these perimeter gasketing products, please see the Adhesive Gasketing section.

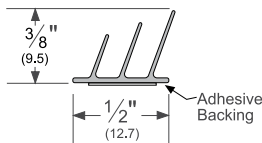
## S773\_

AVAILABLE FINISHES: **BL, D, GR, W**

AVAILABLE LENGTHS: **17', 18', 20', 21', 25', 30', 250', 500'**

ANSI: **ROE154, ROE155**

- Triple-fin design blocks light and sound from infiltrating a room
- Product designed as hospitality gasketing (see more hospitality products in the Hospitality Products section)
- Seal begins compressing at  $\frac{3}{8}$ "



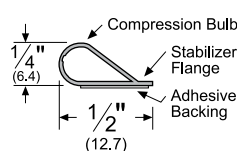
## S88\_

AVAILABLE FINISHES: **BL, C, D, GR, TAN, W**

AVAILABLE LENGTHS: **17', 18', 20', 21', 25', 30', 204', 510'**

ANSI: **ROE154, ROE155**

- Seal begins compressing at  $\frac{1}{4}$ "; compresses to seal up to a  $\frac{1}{16}$ " gap
- Available with perforations for Behavioral Health applications. Substitute "P" in place of "S" to order this option.



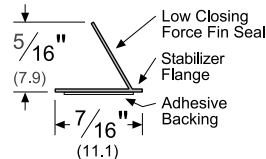
## S44\_

AVAILABLE FINISHES: **BL, C, D, GR, W**

AVAILABLE LENGTHS: **17', 18', 20', 21', 25', 30', 204', 510'**

ANSI: **ROE154, ROE155**

- Designed for tighter frames.
- Demonstrates extremely low closing force.
- Seal begins compressing at  $\frac{5}{16}$ "; compresses to seal up to a  $\frac{1}{16}$ " gap
- Available with perforations for Behavioral Health applications. Substitute "P" in place of "S" to order this option.



NOTE: Products shown in this section may not be drawn to scale.

AVAILABLE FINISHES FOR PRODUCTS SHOWN ON THIS PAGE

**C** (Clear Anodized) **D** (Dark Bronze Anodized) **G** (Gold Anodized)

AVAILABLE FINISHES FOR PRODUCTS SHOWN ON THIS PAGE

Adhesive Gasketing Colors: **BL** (Black) **C** (Clear) **D** (Dark Brown) **GR** (Light Gray) **TAN** (Tan) **W** (White)



Experience a safer and more open world



# ADHESIVE PERIMETER GASKETING (Cont.)

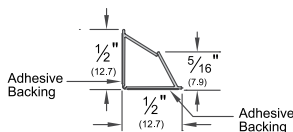
For more information on these perimeter gasketing products, please see the Adhesive Gasketing section.

## S442\_

AVAILABLE FINISHES: **BL, D, W**  
 AVAILABLE LENGTHS: **17', 18', 20', 21', 25', 30', 510'**

ANSI: **ROE154, ROE155**

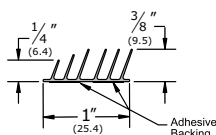
- Fits flush into corner
- Seal begins compressing at  $\frac{5}{16}$ "; compresses to seal up to a  $\frac{1}{16}$ " gap



## S776\_

AVAILABLE FINISHES: **BL**  
 AVAILABLE LENGTHS: **17', 18', 20', 21', 25', 30'**  
 ANSI: **ROE154, ROE155**

- Designed for hollow metal and wood meeting stile applications
- Seal begins compressing at  $\frac{3}{8}$ "

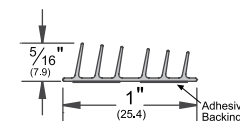


## S771x6\_

AVAILABLE FINISH: **BL**  
 AVAILABLE LENGTHS: **7', 8', 10', 17', 18', 20', 21', 25'**

ANSI: **ROE154, ROE155**

- Designed for hollow metal and wood meeting stile applications
- Seal begins compressing at  $\frac{5}{16}$ "

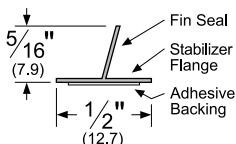


## S77\_

AVAILABLE FINISHES: **C, BL, D, W**  
 AVAILABLE LENGTHS: **17', 18', 20', 21', 25', 30', 204', 510'**

ANSI: **ROE154, ROE155**

- Designed for hollow metal and wood meeting stile applications.
- Seal begins compressing at  $\frac{5}{16}$ "; compresses to seal up to a  $\frac{1}{16}$ " gap

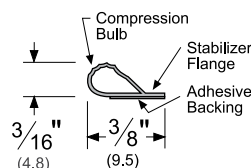


## PK33\_

AVAILABLE FINISHES: **BL, D, W**  
 AVAILABLE LENGTHS: **17', 18', 20', 21', 25', 30', 510'**

ANSI: **ROG154, ROG155**

- Designed for tighter frames.
- Demonstrates extremely low closing force.
- Seal begins compressing at  $\frac{3}{16}$ "; compresses to seal up to a  $\frac{1}{16}$ " gap

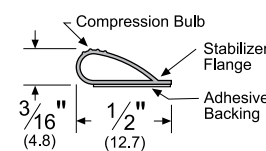


## PK55\_

AVAILABLE FINISHES: **BL, D, W**  
 AVAILABLE LENGTHS: **17', 18', 20', 21', 25', 30', 510'**

ANSI: **ROG154, ROG155**

- Designed for tighter frames.
- Demonstrates extremely low closing force.
- Seal begins compressing at  $\frac{3}{16}$ "; compresses to seal up to a  $\frac{1}{16}$ " gap

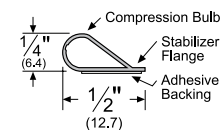


# MICROSHIELD® ANTIMICROBIAL ADHESIVE GASKETING

## AM88\_

AVAILABLE FINISHES: **BL, C, D, W**  
 AVAILABLE LENGTHS: **17', 18', 20', 21', 25', 30', 510'**

ANSI: **R8E154, ROE155**



### NOTES FOR ALL ADHESIVE GASKETING:

Storage and shelf life: All adhesive gaskets have a limited shelf life. This product must be installed within 6 months of purchase and must be stored between 50°F and 100°F. For further notes/details, please see Adhesive Gasketing section.

NOTE: Products shown in this section may not be drawn to scale.

AVAILABLE FINISHES FOR PRODUCTS SHOWN ON THIS PAGE

Adhesive Gasketing Colors: **BL** (Black) **C** (Clear) **D** (Dark Brown) **W** (White)

800-824-3018 | www.pemko.com

Check the web site for the up-to-date catalog

Copyright © 2015-2023, ASSA ABLOY Accessories and Door Controls Group, Inc., an ASSA ABLOY Group company. All rights reserved. Reproduction in whole or in part without the express written permission of ASSA ABLOY Accessories and Door Controls Group, Inc. is prohibited.

**PEMCO**  
**ASSA ABLOY**

Experience a safer  
 and more open world

# EXCESSIVE GAP PERIMETER SOLUTION

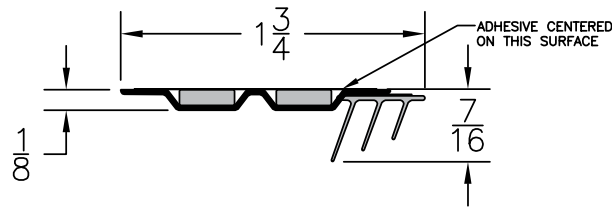
## XG90KIT

- Brings fire-rated doors with excessive vertical and head gaps back into spec - up to 3/8"
- UL Classified for 90-minutes
- Kit includes all products shown below

## HSS20XGxS773

- Pressure sensitive adhesive backing

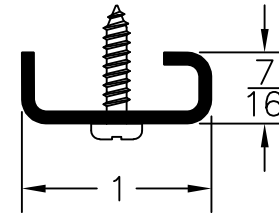
AVAILABLE FINISH: **BL**



## XG900

- 16ga galvanized steel
- Can be screw applied or welded to metal frame. If welded, specify with "no holes" for clean appearance.
- Can be field painted to match the frame

AVAILABLE FINISH: **SP, SPBSP, SPWSP, SP10BE**



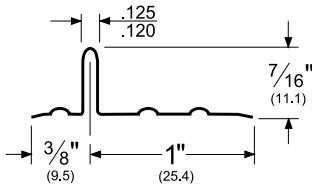
# INTERLOCK WEATHERSTRIP FOR WOOD WINDOWS

## Corrugated Rib Strips

- Corrugated rib strips are made from .015" spring bronze (B) or .0172" galvanized steel (Z)
- \_4C is only available in 96" lengths

### \_4C (1 3/8" width)

AVAILABLE FINISHES: **B, Z**

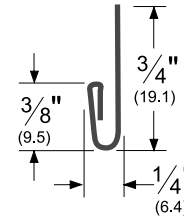


## Flat Hooks

- \_10 Flat hooks are made from .026" spring bronze (B) or .0172" galvanized steel (Z)

### \_10

AVAILABLE FINISHES: **B, Z**  
AVAILABLE LENGTHS: **96"**

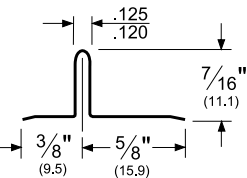


## Plain Rib Strips

- Plain rib strips are made from .015" spring bronze (B) or .0172" galvanized steel (Z)

### \_2P (1" width)

AVAILABLE FINISHES: **B, Z**



### \_4P (1 3/8" width)

AVAILABLE FINISHES: **B, Z**

\_2P (1" width) shown at left;  
also available in \_4P  
(1 3/8" width).  
\_2P and \_4P available in  
96" lengths only

NOTE: Products shown in this section may not be drawn to scale.

AVAILABLE FINISHES FOR PRODUCTS SHOWN ON THIS PAGE

**SP10BE** (Satin Bronze Powder) **B** (Bronze) **SPBSP** (Black Suede Powder)  
**SP** (Galvanized Steel) **SPWSP** (White Suede Powder) **Z** (Galvanized Steel)



Experience a safer  
and more open world

## INTERLOCK WEATHERSTRIP FOR WOOD DOORS

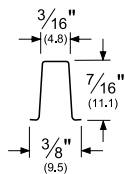
- Fasteners available at additional cost

### Liner Strip

- Made from .008" spring bronze (B)

**\_30**

AVAILABLE FINISH: **B**  
AVAILABLE LENGTHS: **96"**

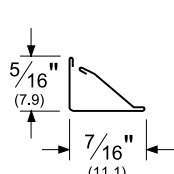


### Lock Strip

- Made from .008" spring bronze (B)

**\_331**

AVAILABLE FINISH: **B**  
AVAILABLE LENGTHS: **6", 96"**

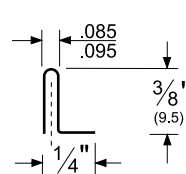


### "L" Metal

- Bronze or zinc-plated wafer head drive screws available for \_41M (sold separately)

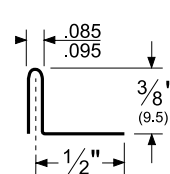
**\_41M**

AVAILABLE FINISHES: **B, Z**  
AVAILABLE LENGTHS: **96"**



**\_43**

AVAILABLE FINISH: **B**  
AVAILABLE LENGTHS: **96"**



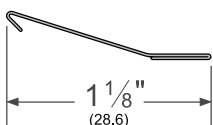
## CUSHION/SPRING WEATHERSTRIP FOR WOOD OR METAL DOORS AND WINDOWS

### Spring Bronze - Wood Doors/Windows

- Spring bronze weatherstrip fits wood doors and wood casement windows
- Made from .008" hemmed spring bronze/brass (B)
- Nails should be approximately 1 1/2" on center (sold separately)

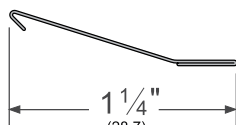
**\_70C-100**

AVAILABLE FINISH: **B**  
AVAILABLE LENGTHS: **100'**



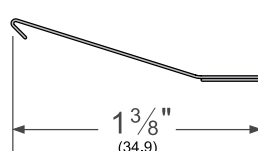
**\_70D-100**

AVAILABLE FINISH: **B**  
AVAILABLE LENGTHS: **100'**



**\_70E-100**

AVAILABLE FINISH: **B**  
AVAILABLE LENGTHS: **100'**



**P51B17**

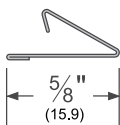
P51B17 is 17 feet of \_70C  
Packaged with nails

## CUSHION ("V") - WOOD OR METAL DOORS

- Cushion weatherstrip fits wood or metal doors
- Made from .008" hemmed spring bronze/brass (B)
- Nails should be approximately 3" on center (sold separately)
- Gap coverage is 1/8" minimum to 3/16" maximum

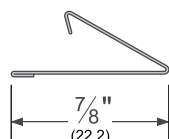
**\_73**

AVAILABLE FINISH: **B**  
AVAILABLE LENGTHS: **96"**



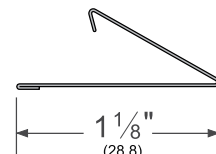
**\_74**

AVAILABLE FINISH: **B**  
AVAILABLE LENGTHS: **96"**



**\_75**

AVAILABLE FINISH: **B**  
AVAILABLE LENGTHS: **96"**



## FASTENERS FOR CUSHION, SPRING AND INTERLOCK WEATHERSTRIP

- Fasteners for cushion, spring, and interlock weatherstrip are sold separately unless otherwise specified

**NL1678\_**

AVAILABLE FINISHES: **BL, BP, Z**  
For Wood: #16 x 7/8" flat head nail



**NL1734CPXE\_**

AVAILABLE FINISHES: **BB, SS**  
For Wood: #16 x 3/4" flat head nail



NOTE: Copper nails may be substituted for "BB" nails while brass remains unavailable.

**PEMKO**  
**ASSA ABLOY**

800-824-3018 | [www.pemko.com](http://www.pemko.com)

Check the web site for the up-to-date catalog

Copyright © 2015-2023, ASSA ABLOY Accessories and Door Controls Group, Inc., an ASSA ABLOY Group company. All rights reserved. Reproduction in whole or in part without the express written permission of ASSA ABLOY Accessories and Door Controls Group, Inc. is prohibited.

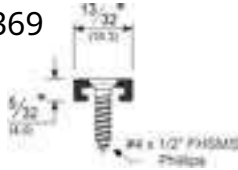
Experience a safer  
and more open world

# PRIVACY SEALS FOR SLIDING DOORS

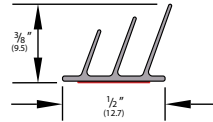
## PEMKOSFSET1

- Will seal gaps 1/8 to 3/8" for barn door sliding hardware
- Works with any sliding door hardware
- Requires 1/2" frame to keep the gasket from marring the wall

369



S773



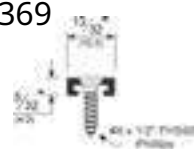
### Standard Kit Sizes

Finish	Product	Color
C	369C	Clear Anodized
	S773GR	Gray
D	369D	Dark Bronze Anodized
	S773BL	Black
PW	369C	Clear Anodized
	S773PW	White

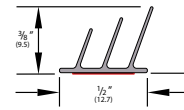
## PEMKOSFSET2

- Will seal gaps 1/8 to 3/8" for barn door sliding hardware
- Works with any sliding door hardware
- Requires 1/2" frame to keep the gasket from marring the wall
- Includes a surface mounted bottom seal

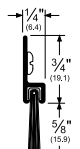
369



S773



18061\_NB

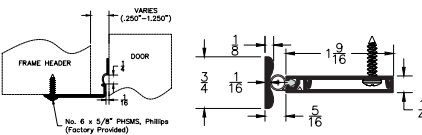


### Standard Kit Sizes

Finish	Product	Color
C	369C	Clear Anodized
	S773GR	Gray
	18061CNB	Clear Anodized, Gray Brush
D	369D	Dark Bronze Anodized
	S773BL	Black
	18061DNB	Dark Bronze Anodized, Black Brush
PW	369C	Clear Anodized
	S773PW	White
	18061PWNB	Painted White

## PEMKOSFSET3

\_950 394

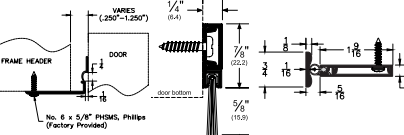


### Standard Kit Sizes

Finish	Product	Color
10BE	29394-10BE-PK	Satin Bronze Powder Coat with Black PemkoPrene™
	394-10BE	Satin Bronze Powder Coat
	950-10BE	Satin Bronze Powder Coat
	PY900BL	Black
C	29394CPK	Clear Anodized with Black PemkoPrene™
	394C	Clear Anodized
	950C	Clear Anodized
BSP	29394BSPPK	Black Suede Powder Coat with Black PemkoPrene™
	394BSP	Black Suede Powder Coat
	950BSP	Black Suede Powder Coat
	PY900BL	Black
D	29394DPK	Dark Bronze Anodized with Black PemkoPrene™
	394D	Dark Bronze Anodized
	950D	Dark Bronze Anodized
	PY900BL	Black
WSP	29394WSPPK	White Suede Powder Coat with Black PemkoPrene™
	394WSP	White Suede Powder Coat
	950WSP	White Suede Powder Coat
	PY900BL	Black

## PEMKOSFSET4

\_950 29326\_NB 394

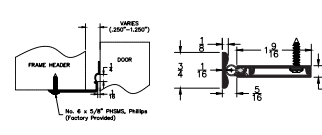


### Standard Kit Sizes

Finish	Product	Color
10BE	29394-10BE-PK	Satin Bronze Powder Coat with Black PemkoPrene™
	394-10BE	Satin Bronze Powder Coat
	950-10BE	Satin Bronze Powder Coat
	PY900BL	Black
C	29326-10BE-NB	Satin Bronze Powder Coat with Black Nylon Brush
	29394CPK	Clear Anodized with Black PemkoPrene™
	394C	Clear Anodized
BSP	950C	Clear Anodized
	PY900BL	Black
	29326CNB	Clear Anodized with Gray Nylon Brush
	29394BSPPK	Black Suede Powder Coat with Black PemkoPrene™
D	394BSP	Black Suede Powder Coat
	950BSP	Black Suede Powder Coat
	PY900BL	Black
	29326BSPNB	Black Suede Powder Coat with Black Nylon Brush
WSP	29394DPK	Dark Bronze Anodized with Black PemkoPrene™
	394D	Dark Bronze Anodized
	950D	Dark Bronze Anodized
	PY900BL	Black
WSP	29326DNB	Dark Bronze Anodized with Black Nylon Brush
	29394WSPPK	White Suede Powder Coat with Black PemkoPrene™
	394WSP	White Suede Powder Coat
	950WSP	White Suede Powder Coat
WSP	PY900BL	Black
	29326WSPNB	White Suede Powder Coat with White Nylon Brush

## PEMKOSFSET5

\_950 394



### Standard Kit Sizes

Finish	Product	Color
10BE	29394-10BE-PK	Satin Bronze Powder Coat with Black PemkoPrene™
	394-10BE	Satin Bronze Powder Coat
	950-10BE	Satin Bronze Powder Coat
	PY900BL	Black
C	SN-RD-A	Aluminum with Black Silicone
	29394CPK	Clear Anodized with Black PemkoPrene™
	394C	Clear Anodized
	950C	Clear Anodized
BSP	PY900BL	Black
	SN-RD-A	Aluminum with Black Silicone
	29394BSPPK	Black Suede Powder Coat with Black PemkoPrene™
	394BSP	Black Suede Powder Coat
D	950BSP	Black Suede Powder Coat
	PY900BL	Black
	SN-RD-A	Aluminum with Black Silicone
	29394DPK	Dark Bronze Anodized with Black PemkoPrene™
WSP	394D	Dark Bronze Anodized
	950D	Dark Bronze Anodized
	PY900BL	Black
	SN-RD-A	Aluminum with Black Silicone
WSP	29394WSPPK	White Suede Powder Coat with Black PemkoPrene™
	394WSP	White Suede Powder Coat
	950WSP	White Suede Powder Coat
	PY900BL	Black
WSP	SN-RD-A	Aluminum with Black Silicone

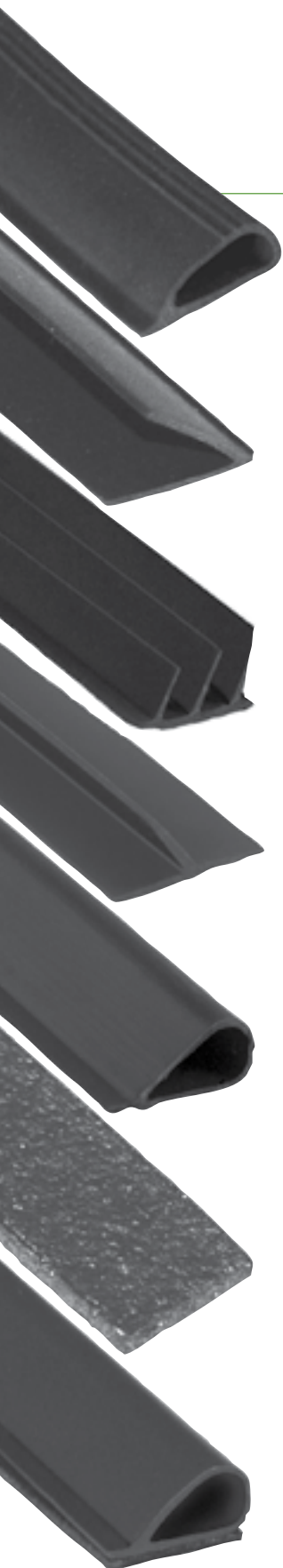


Experience a safer and more open world

800-824-3018 | www.pemko.com

Check the web site for the up-to-date catalog

Copyright © 2015-2023, ASSA ABLOY Accessories and Door Controls Group, Inc., an ASSA ABLOY Group company. All rights reserved. Reproduction in whole or in part without the express written permission of ASSA ABLOY Accessories and Door Controls Group, Inc. is prohibited.



# PEMKO ADHESIVE GASKETING

## CONTENTS:

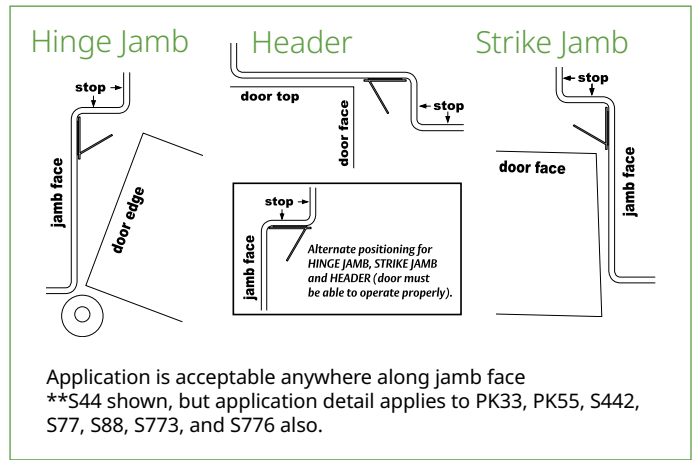
SiliconSeal Adhesive-Backed Fire/Smoke Gasketing .....	198
PemkoPrene® Adhesive-Backed Fire/Smoke Gasketing .....	199
SiliconSeal Adhesive-Backed Meeting Stile Gasketing .....	199
MicroShield® Antimicrobial Gasketing .....	200
Hot Smoke Seal/SiliconSeal Combination Fire/Smoke Sealing .....	200

## INDEX:

<u>PRODUCT</u>	<u>PAGE</u>	<u>PRODUCT</u>	<u>PAGE</u>
AM88 .....	200	S77 .....	198
HSS1000.....	200	S88 .....	198
HSS2000 .....	200	S442 .....	198
HSS2000xS44 .....	200	S771.....	199
HSS2000xS88 .....	199	S771x6.....	199
HSS7750 .....	200	S772.....	199
PK33 .....	199	S773.....	198
PK55 .....	199	S776.....	198
S44.....	198		

# SILICONSEAL ADHESIVE-BACKED FIRE/SMOKE GASKETING

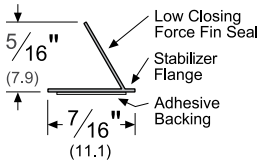
- SiliconSeal is extruded from high-temperature silicone; effective between -58°F and 450°F
- Self-extinguishing and non-toxic; unaffected by sunlight, ozone, and ultraviolet rays
- Impervious to fungus and mildew; will not deteriorate under normal exposure
- Meets FAR 25.853 Airworthiness Standards for Compartment Interiors



## S44\_

AVAILABLE FINISHES: **BL, C, D, GR, W**  
 AVAILABLE LENGTHS: **17', 18', 20', 21', 25', 30', 204', 510'**  
 ANSI: **ROE154, ROE155**

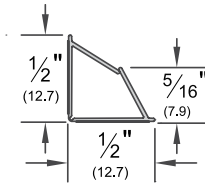
- Designed for tighter frames
- Demonstrates extremely low closing force
- Seal begins compressing at  $5/16"$ ; compresses to seal up to a  $1/16"$  gap



## S442\_

AVAILABLE FINISHES: **BL, D, W**  
 AVAILABLE LENGTHS: **17', 18', 20', 21', 25', 30', 510'**  
 ANSI: **ROE154, ROE155**

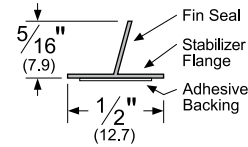
- Fits flush into corner
- Seal begins compressing at  $5/16"$ ; compresses to seal up to a  $1/16"$  gap in either direction



## S77\_

AVAILABLE FINISHES: **BL, C, D, W**  
 AVAILABLE LENGTHS: **17', 18', 20', 21', 25', 30', 204', 500'**  
 ANSI: **ROE154, ROE155**

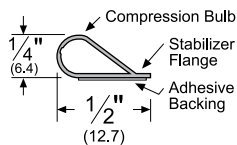
- Designed for hollow metal and wood meeting stile applications
- Seal begins compressing at  $5/16"$ ; compresses to seal up to a  $1/16"$  gap



## S88\_

AVAILABLE FINISHES: **BL, C, D, GR, TAN, W**  
 AVAILABLE LENGTHS: **17', 18', 20', 21', 25', 30', 204', 510'**  
 ANSI: **ROE154, ROE155**

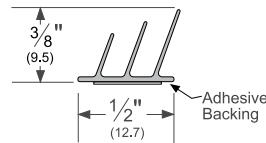
- Seal begins compressing at  $1/4"$ ; compresses to seal up to a  $1/16"$  gap



## S773\_

AVAILABLE FINISHES: **BL, D, GR, W**  
 AVAILABLE LENGTHS: **17', 18', 20', 21', 25', 30', 250', 500'**  
 ANSI: **ROE154, ROE155**

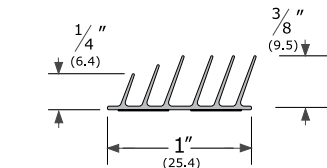
- Triple-fin design effectively blocks light and sound from infiltrating a room
- Seal begins compressing at  $3/8"$ ; compresses to seal up to a  $3/32"$  gap



## S776\_

AVAILABLE FINISHES: **BL**  
 AVAILABLE LENGTHS: **17', 18', 20', 21', 25', 30'**  
 ANSI: **ROE154, ROE155**

- Designed for hollow metal and wood meeting stile applications
- Seal begins compressing at  $3/8"$



**PEMKO**  
**ASSA ABLOY**

Experience a safer  
 and more open world

AVAILABLE FINISHES FOR PRODUCTS SHOWN ON THIS PAGE  
**BL** (Black) **C** (Clear) **D** (Dark Brown) **GR** (Light Gray) **TAN** (Tan) **W** (White)

800-824-3018 | [www.pemko.com](http://www.pemko.com)  
 Check the web site for the up-to-date catalog

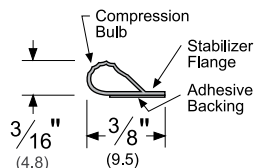
Copyright © 2015-2023, ASSA ABLOY Accessories and Door Controls Group, Inc., an ASSA ABLOY Group company. All rights reserved. Reproduction in whole or in part without the express written permission of ASSA ABLOY Accessories and Door Controls Group, Inc. is prohibited.

# PEMKOPRENE® ADHESIVE-BACKED FIRE/SMOKE GASKETING

## PK33\_

AVAILABLE FINISHES: **BL, D, W**  
 AVAILABLE LENGTHS: **17', 18', 20', 21', 25', 30', 510'**  
 ANSI: **ROG154, ROG155**

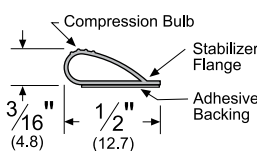
- Designed for tighter frames
- Demonstrates extremely low closing force
- Seal begins compressing at  $\frac{3}{16}$ "; compresses to seal up to a  $\frac{1}{16}$ " gap



## PK55\_

AVAILABLE FINISHES: **BL, D, W**  
 AVAILABLE LENGTHS: **17', 18', 20', 21', 25', 30', 510'**  
 ANSI: **ROG154, ROG155**

- Designed for tighter frames
- Demonstrates extremely low closing force
- Seal begins compressing at  $\frac{3}{16}$ "; compresses to seal up to a  $\frac{1}{16}$ " gap

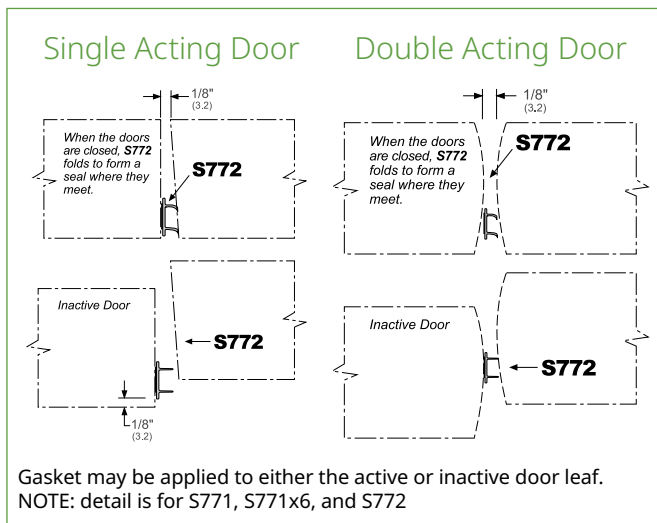
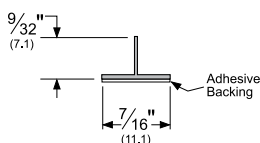


# SILICONSEAL ADHESIVE-BACKED MEETING STILE GASKETING

- Excellent resistance to compression set, particularly at elevated temperatures and for extended periods of time
- Outstanding ozone resistance rating
- Smoke tested in accordance with UL1784; meets the requirements of NFPA 105 "Standard for the Installation of Smoke Door Assemblies and Other Opening Protectives"

## S771\_

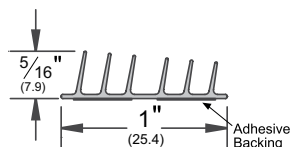
AVAILABLE FINISHES: **BL, C, D, W**  
 AVAILABLE LENGTHS: **7', 8', 9', 10'**  
 ANSI: **ROE154, ROE155, ROE754, ROE755**



## S771x6\_

AVAILABLE FINISHES: **BL**  
 AVAILABLE LENGTHS: **7', 8', 9', 10'**  
 ANSI: **ROE154, ROE155, ROE754, ROE755**

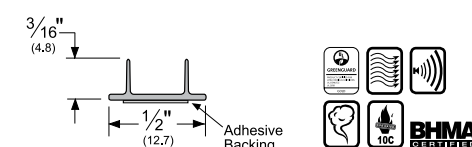
- Designed for hollow metal and wood meeting stile applications
- Seal begins compressing at  $\frac{5}{16}$ "



## S772\_

AVAILABLE FINISHES: **BL, C, D, W**  
 AVAILABLE LENGTHS: **7', 8', 9', 10'**  
 ANSI: **ROE154, ROE155, ROE754, ROE755**

- Designed for hollow metal and wood meeting stile applications
- Seal begins compressing at  $\frac{3}{16}$ "



AVAILABLE FINISHES FOR PRODUCTS SHOWN ON THIS PAGE  
**BL** (Black) **C** (Clear) **D** (Dark Brown) **W** (White)

800-824-3018 | www.pemko.com

Check the web site for the up-to-date catalog

Copyright © 2015-2023, ASSA ABLOY Accessories and Door Controls Group, Inc., an ASSA ABLOY Group company. All rights reserved. Reproduction in whole or in part without the express written permission of ASSA ABLOY Accessories and Door Controls Group, Inc. is prohibited.

**PEMKO**  
**ASSA ABLOY**

Experience a safer  
 and more open world

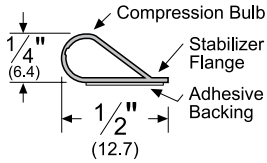
# MICROSHIELD® ANTIMICROBIAL GASKETING

- Extruded from high-temperature silicone with MicroShield®, a silver-based antimicrobial additive
- Effective between -58°F and 450°F
- Adhesive Backed

- Self-extinguishing and non-toxic
- Unaffected by sunlight, ozone and ultraviolet rays
- Exceeds the requirements for Antimicrobial Test JIS-Z-2801

## AM88

AVAILABLE FINISHES: **BL, C, D, W**  
 AVAILABLE LENGTHS: **17', 18', 20', 21', 25', 30', 510'**  
 ANSI: **ROE154, ROE155**



MicroShield®  
 As part of their promise to provide innovative solutions to their customers, certain ASSA ABLOY Group brands offer the MicroShield® technology, a silver-based antimicrobial additive designed to inhibit the growth of bacteria.

MicroShield® is a registered trademark of Yale Security Inc., an ASSA ABLOY Group company.

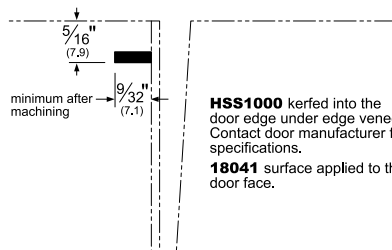
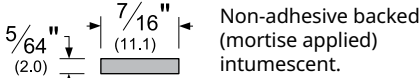
# HOT SMOKE SEAL/SILICON SEAL COMBINATION FIRE/SMOKE SEALING

- Chemically inert, highly stable, expandable graphite strip
- Tested and proven in positive pressure conditions to withstand both hot smoke and hot gasses, resulting in longer integrity of the door assembly
- More economical to use than specially modified doors in "tested assembly only" classifications

- Hot Smoke Seal can be painted to blend in with the finish of a frame
- Will not degrade from carbon dioxide and ozone like many competitive intumescent from other manufacturers
- Unaffected by moisture and will not break down like fiber-based or cellulose-based products

## HSS1000

AVAILABLE FINISHES: Graphite (no finish code)  
 AVAILABLE LENGTHS: **7', 8', 10', 18', 21', 24'**  
 ANSI: **R0P124**

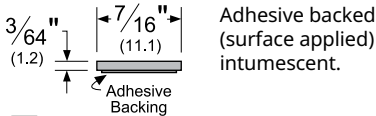


### NOTES FOR ALL ADHESIVE GASKETING:

Storage and shelf life: All adhesive gaskets have a limited shelf life. This product must be installed within 6 months of purchase and must be stored between 50°F and 100°F. Before installing: Thoroughly clean the frame to remove grease, dust or cleanser build-up (cleansing towelettes are included with product). Painted frame surface must be completely dry. Some hospital environments have wax or anti-bacterial cleanser build-up. As an alternative or substitute cleanser, use isopropyl (rubbing) alcohol. Note: Mineral spirits or other petroleum based cleaning products should NOT be used.

## HSS2000

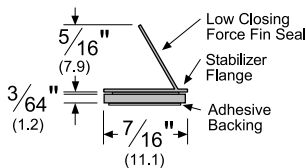
AVAILABLE FINISHES: Graphite (no finish code)  
 AVAILABLE LENGTHS: **7', 8', 10', 18', 21', 24'**  
 ANSI: **R0P154**



## HSS2000xS44

AVAILABLE FINISHES: **BL, C, D, GR, W**  
 AVAILABLE LENGTHS: **18', 20', 21', 24'**  
 20' lengths can be supplied in 4-0 x 8-0 or 6-0 x 7-0. Specify when ordering  
 ANSI: **ROU154, ROU155**

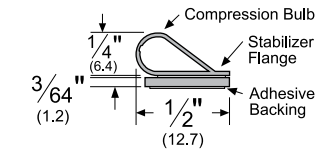
- Compresses to seal a gap up to 1/8"



## HSS2000xS88

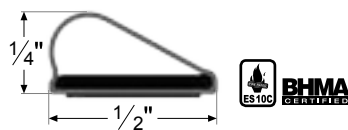
AVAILABLE FINISHES: **BL, C, D, GR, W**  
 AVAILABLE LENGTHS: **18', 20', 21', 24'**  
 20' lengths can be supplied in 4-0 x 8-0 or 6-0 x 7-0. Specify when ordering  
 ANSI: **ROU154, ROU155**

- Compresses to seal a gap up to 1/8"



## HSS7750

AVAILABLE FINISHES: **BL**  
 AVAILABLE LENGTHS: **36", 48", 84", 96"**



AVAILABLE FINISHES FOR PRODUCTS SHOWN ON THIS PAGE  
**BL** (Black) **C** (Clear) **D** (Dark Brown) **GR** (Light Gray) **W** (White)



Experience a safer and more open world

800-824-3018 | www.pemko.com  
 Check the web site for the up-to-date catalog



# PEMKO HOSPITALITY PRODUCTS

## CONTENTS:

Privacy Door Latch, Bracket and Decals.....	202
SiliconSeal Adhesive Gasketing.....	203
Automatic Door Bottoms: Acoustic.....	204
Door Shoes.....	204
Acoustic Adhesive Corner Pads.....	204
Automatic Door Bottoms.....	205
Eco-V™ Thresholds.....	206
Adjustable-Width Eco-V™ Threshold.....	207
Stainless Steel Sliding Track Hardware System.....	208
Cascading Door with Sample Configurations.....	209
SHS80 System.....	210
Bypass Track Series.....	211

## INDEX:

PRODUCT	PAGE	PRODUCT	PAGE
411.....	205	H222R1.....	209
601H.....	209	HBP200A.....	211
1076.....	209	PDLAA.....	202
2113.....	204	PDLBRKT.....	202
2173.....	204	PDL-D1.....	202
2343.....	204	PDL-D2.....	202
2802.....	209	S44.....	203
2812.....	209	S88.....	203
3692.....	204	S442.....	203
4131.....	205	S771.....	203
ACP112.....	204	S771x6.....	203
ADJ232V8.....	207	S772.....	203
ADJ232V14.....	207	S773.....	203
ADJ232x2325V8.....	207	S776.....	203
EV232.....	206	SHS80.....	210
EV2320.....	206	STC411.....	204
EV2322.....	206	STC4131.....	204
EV2325.....	206	W60.....	208
EV2326.....	206		

800-824-3018 | [www.pemko.com](http://www.pemko.com)  
Check the web site for the up-to-date catalog

Copyright © 2015-2023, ASSA ABLOY Accessories and Door Controls Group, Inc., an ASSA ABLOY Group company. All rights reserved.  
Reproduction in whole or in part without the express written permission of ASSA ABLOY Accessories and Door Controls Group, Inc. is prohibited.

**PEMKO**  
**ASSA ABLOY**

Experience a safer  
and more open world

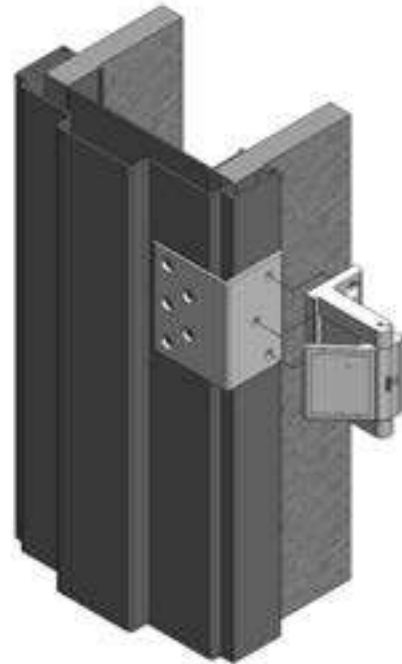
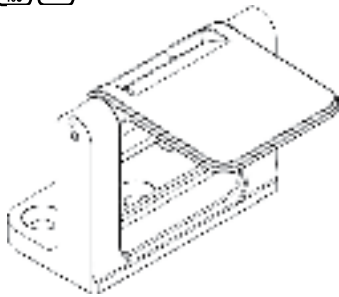
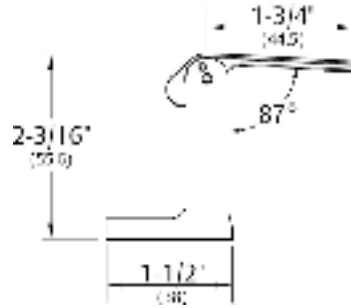
## PRIVACY DOOR LATCH

- Easy to install, simple to operate
- ADA Compliant
- Enhances room privacy
- UL Classified as a fire door accessory

### PDLAA\_

AVAILABLE COLORS:

- PDLAA26 Polished Chrome
- PDLAA26D/15 Polished Chrome/  
Satin Nickel
- PDLAA3 Polished Brass
- PDLAA4 Brushed Brass
- PDLAABSP Black Suede
- PDLAA10BE Dark Oxidized  
Satin Bronze, Equivalent

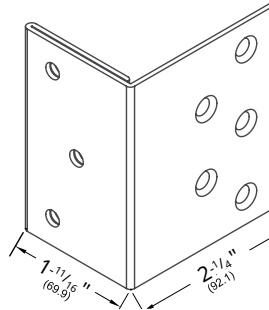


## PRIVACY DOOR LATCH BRACKET

- Designed for Timely or Redi-Frame frames with snap on trim
- Bracket allows PDL to be installed in the correct position for proper operation
- Custom powder coat options available.

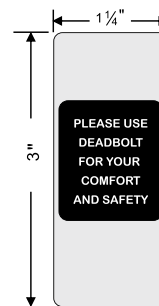
### PDLBRKT\_

- AVAILABLE COLORS:
- Paintable Galvannealed (blank)
  - Black Suede (BSP)
  - Satin Bronze (10BE)
  - White Suede (WSP)



## PRIVACY DOOR LATCH DECALS

- Used to cover holes left on door and frame from old style door latch. Per NFPA80 holes must first be filled with like material in order to maintain the fire opening rating
- Made from stable, mar-resistant plastic
- Sub-surface screen printing so verbiage will not be affected by gentle cleaning/dusting



PDL-D1



PDL-D2



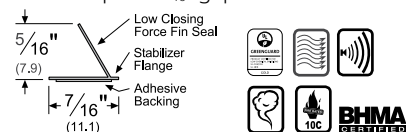
Experience a safer  
and more open world

# SILICONSEAL ADHESIVE GASKETING

## S44\_

AVAILABLE FINISHES: **BL, C, D, GR, W**  
 AVAILABLE LENGTHS: **17', 18', 20', 21', 25', 30', 204', 510'**  
 ANSI: **ROE154, ROE155**

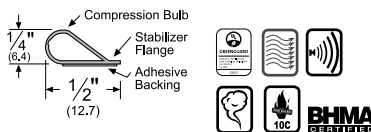
- Designed for tighter frames
- Demonstrates extremely low closing force
- Seal begins compressing at  $\frac{5}{16}$ "; compresses to seal up to a  $\frac{1}{16}$ " gap



## S88\_

AVAILABLE FINISHES: **BL, C, D, GR, TAN, W**  
 AVAILABLE LENGTHS: **17', 18', 20', 21', 25', 30', 204', 510'**  
 ANSI: **ROE154, ROE155**

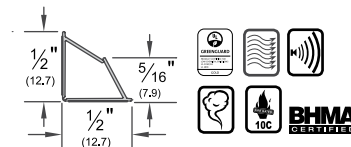
- Seal begins compressing at  $\frac{1}{4}$ "; compresses to seal up to a  $\frac{1}{16}$ " gap



## S442\_

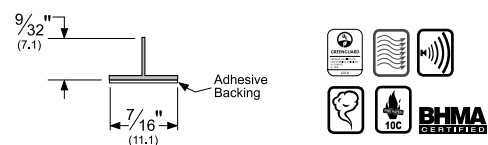
AVAILABLE FINISHES: **BL, D, W**  
 AVAILABLE LENGTHS: **17', 18', 20', 21', 25', 30', 510'**  
 ANSI: **ROE154, ROE155**

- Seal fits flush into corner
- Seal begins compressing at  $\frac{5}{16}$ "; compresses to seal up to a  $\frac{1}{16}$ " gap in either direction



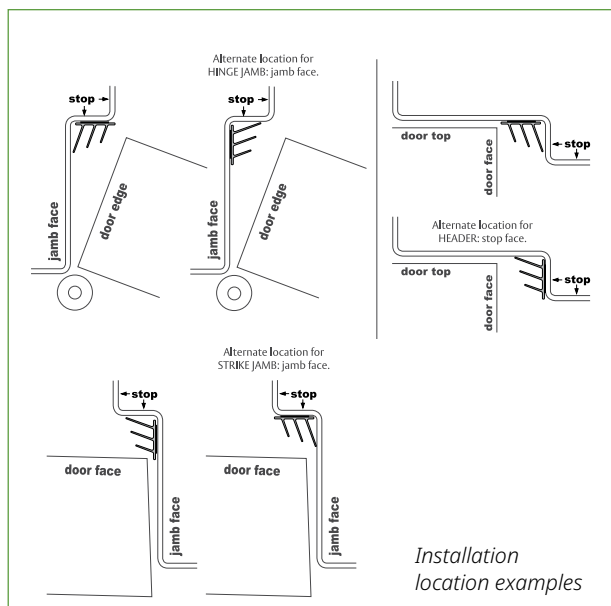
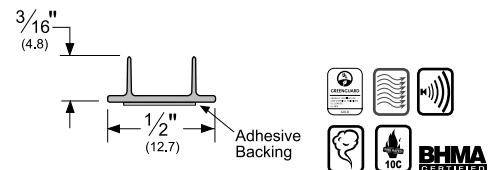
## S771\_

AVAILABLE FINISHES: **BL, C, D, W**  
 AVAILABLE LENGTHS: **7', 8', 9', 10'**  
 ANSI: **ROE154, ROE155, ROE754, ROE755**



## S772\_

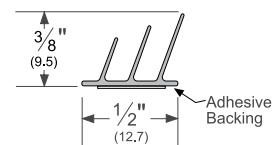
AVAILABLE FINISHES: **BL, C, D, W**  
 AVAILABLE LENGTHS: **7', 8', 9', 10'**  
 ANSI: **ROE154, ROE155, ROE754, ROE755**



## S773\_

AVAILABLE FINISHES: **BL, D, GR, W**  
 AVAILABLE LENGTHS: **17', 18', 20', 21', 25', 30', 250', 500'**  
 ANSI: **ROE154, ROE155**

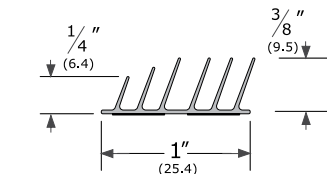
- Triple-fin design effectively blocks light and sound from infiltrating a room
- Seal begins compressing at  $\frac{3}{8}$ "; compresses to seal up to a  $\frac{3}{32}$ " gap



## S776\_

AVAILABLE FINISHES: **BL**  
 AVAILABLE LENGTHS: **17', 18', 20', 21', 25', 30'**  
 ANSI: **ROE154, ROE155**

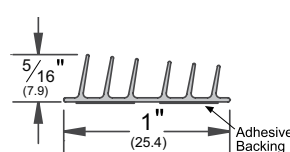
- Designed for hollow metal and wood meeting stile applications
- Seal begins compressing at  $\frac{3}{8}$ "



## S771x6\_

AVAILABLE FINISHES: **BL**  
 AVAILABLE LENGTHS: **7', 8', 9', 10'**  
 ANSI: **ROE154, ROE155, ROE754, ROE755**

- Designed for hollow metal and wood meeting stile applications
- Seal begins compressing at  $\frac{5}{16}$ "



AVAILABLE FINISHES FOR PRODUCTS SHOWN ON THIS PAGE  
**BL** (Black) **C** (Clear) **D** (Dark Brown) **GR** (Light Gray) **TAN** (Tan) **W** (White)

800-824-3018 | www.pemko.com

Check the web site for the up-to-date catalog

Copyright © 2015-2023, ASSA ABLOY Accessories and Door Controls Group, Inc., an ASSA ABLOY Group company. All rights reserved. Reproduction in whole or in part without the express written permission of ASSA ABLOY Accessories and Door Controls Group, Inc. is prohibited.

**PEMKO**  
**ASSA ABLOY**

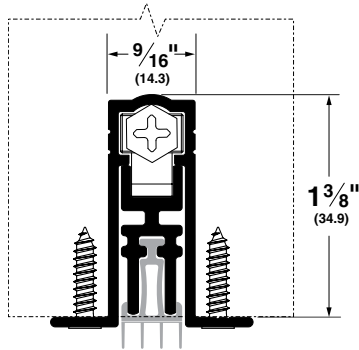
Experience a safer  
 and more open world

## AUTOMATIC DOOR BOTTOMS - ACOUSTIC

- Recommended gap under door is  $\frac{3}{8}$ " for optimal acoustic performance; max drop is  $\frac{3}{4}$ "
- Internal mechanism allows bar to accommodate slight imperfections in floor materials
- STC411 end plate kit is K435; for doors narrower than  $1\text{-}\frac{3}{4}$ ", specify end plate kit K411
- STC4131 end plate kit is K4133C for Clear Anodized and K4133D for Dark Bronze Anodized
- Non-handed

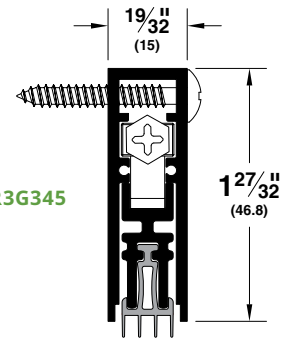
### STC411\_PK

AVAILABLE FINISHES: **A**  
REPLACEMENT INSERT:  
**PK4111 (BL)**  
ANSI: **R3G324, R3G325**



### STC4131\_PK

AVAILABLE FINISHES: **10BE, BSP, C, D, WSP**  
REPLACEMENT INSERT: **PK4111 (BL)**  
ANSI: **R3G334, R3G335, R3G344, R3G345**



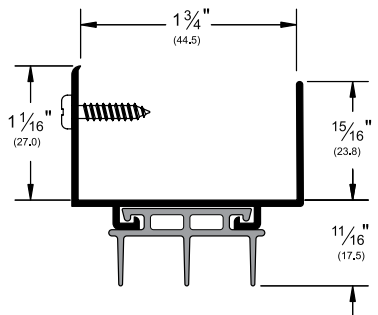
## Door Shoes

### 2173\_V

AVAILABLE FINISHES:  
**A, BSP, D, G, WSP**  
AVAILABLE LENGTHS:  
**36", 48"**  
REPLACEMENT INSERT:  
**EV94 (BL)**  
ANSI:  
**R3D414, R3D415**

Also available with  
unnotched insert:

2173\_V36UN  
2173\_V48UN

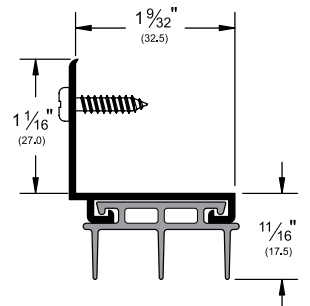


### 2113\_V

AVAILABLE FINISHES:  
**A, BSP, D, G, WSP**  
AVAILABLE LENGTHS:  
**36", 48"**  
REPLACEMENT INSERT:  
**EV94 (BL)**  
ANSI:  
**R3D414, R3D415**

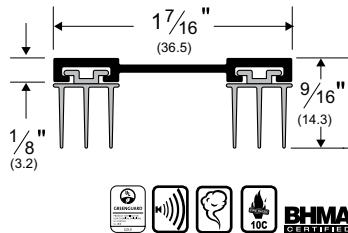
Also available with  
unnotched insert:

2113\_V36UN  
2113\_V48UN



### 3692\_PK773

AVAILABLE FINISH:  
**A**  
AVAILABLE LENGTHS:  
**36", 48"**  
REPLACEMENT INSERT:  
**PK773 (BL, GR)**  
ANSI:  
**R3G414, R3G415**

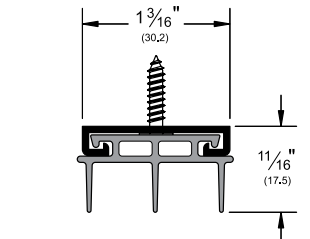


### 2343\_V

AVAILABLE FINISHES:  
**A, BSP, D, G**  
AVAILABLE LENGTHS:  
**36", 48"**  
REPLACEMENT INSERT: **EV94 (BL)**  
ANSI: **R3D414, R3D415**

Also available with  
unnotched insert:

2343\_V36UN  
2343\_V48UN

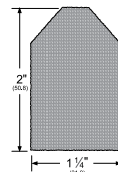


## ACOUSTIC ADHESIVE CORNER PADS

- Corner pad with black or white polypropylene pile, with pressure-sensitive adhesive
- Apply to corner of jamb on hinge side to seal against air and light infiltration

### ACP112\_

AVAILABLE COLORS: **BL, W**



AVAILABLE FINISHES FOR PRODUCTS SHOWN ON THIS PAGE  
**10BE** (Satin Bronze Powder Coated Aluminum) **A** (Mill Finish Aluminum)  
**BSP** (Black Suede Powder Coated Aluminum) **D** (Dark Bronze Anodized) **G** (Gold Anodized)  
**WSP** (White Suede Powder Coated Aluminum) Corner Pad: **BL** (Black) **W** (White)

**PEMKO**  
**ASSA ABLOY**

Experience a safer  
and more open world

800-824-3018 | [www.pemko.com](http://www.pemko.com)  
Check the web site for the up-to-date catalog

Copyright © 2015-2023, ASSA ABLOY Accessories and Door Controls Group, Inc., an ASSA ABLOY Group company. All rights reserved.  
Reproduction in whole or in part without the express written permission of ASSA ABLOY Accessories and Door Controls Group, Inc. is prohibited.

# AUTOMATIC DOOR BOTTOMS

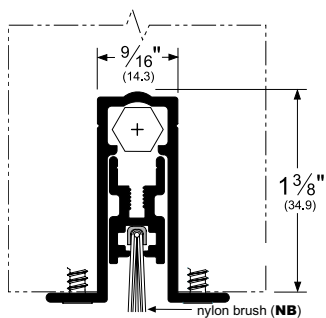
• All Pemko Automatic Door Bottoms, 24" and up, can be manufactured for field alteration.

• Please specify when ordering: Allow 2" for field trimming

## 411\_NBL

AVAILABLE FINISH:

**A**  
REPLACEMENT INSERT:  
**P14075 (BL, GR)**  
ANSI:  
**R3A324, R3A325**



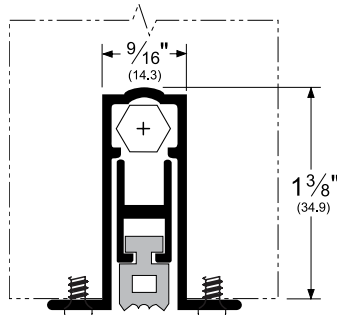
nylon brush (NB)



## 411\_RL

AVAILABLE FINISH:

**A**  
REPLACEMENT INSERT:  
**E7 (BL)**  
ANSI:  
**R3G324, R3G325**



sponge EPDM (R)



### Alternate Insert For 411

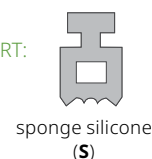
#### 411\_PKL

AVAILABLE FINISH:  
**A**  
REPLACEMENT INSERT:  
**PK4132 (BL)**  
ANSI: **R3G324, R3G325**



#### 411\_SL

AVAILABLE FINISH:  
**A**  
REPLACEMENT INSERT:  
**SR6 (BL)**  
ANSI:  
**R3E324, R3E325**



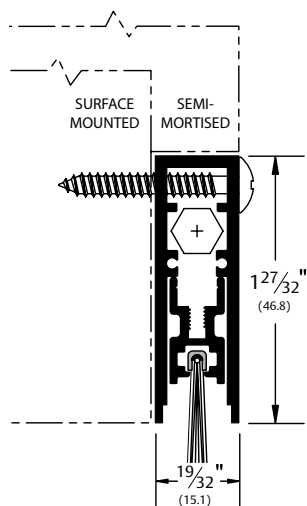
All above products



## 4131\_NBL

AVAILABLE FINISHES:

**BSP, C, D, SN**  
REPLACEMENT INSERT:  
**P14075 (BL, GR)**  
ANSI:  
**R3A334, R3A335, R3A344, R3A345**



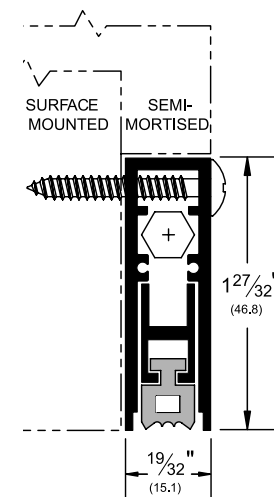
nylon brush (NB)



## 4131\_RL

AVAILABLE FINISHES:

**BSP, C, D, SN**  
REPLACEMENT INSERT:  
**E7 (BL)**  
ANSI:  
**R3G334, R3G335, R3G344, R3G345**



sponge EPDM (R)



### Alternate Inserts For 4131

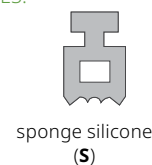
#### 4131\_PKL

AVAILABLE FINISHES:  
**BSP, C, D, SN**  
REPLACEMENT INSERT:  
**PK4132 (BL)**  
ANSI: **R3G334, R3G335, R3G344, R3G345**



#### 4131\_SL

AVAILABLE FINISHES:  
**BSP, C, D, SN**  
REPLACEMENT INSERT:  
**SR6 (BL)**  
ANSI: **R3E334, R3E335, R3E344, R3E345**



All above products



AVAILABLE FINISHES FOR PRODUCTS SHOWN ON THIS PAGE

**10BE** (Satin Bronze Powder Coated Aluminum) **A** (Mill Finish Aluminum)  
**BSP** (Black Suede Powder Coated Aluminum) **C** (Clear Anodized) **D** (Dark Bronze Anodized)  
**WSP** (White Suede Powder Coated Aluminum) **SN** (Satin Nickel Anodized)

800-824-3018 | www.pemko.com

Check the web site for the up-to-date catalog

Copyright © 2015-2023, ASSA ABLOY Accessories and Door Controls Group, Inc., an ASSA ABLOY Group company. All rights reserved. Reproduction in whole or in part without the express written permission of ASSA ABLOY Accessories and Door Controls Group, Inc. is prohibited.

**PEMKO**  
**ASSA ABLOY**

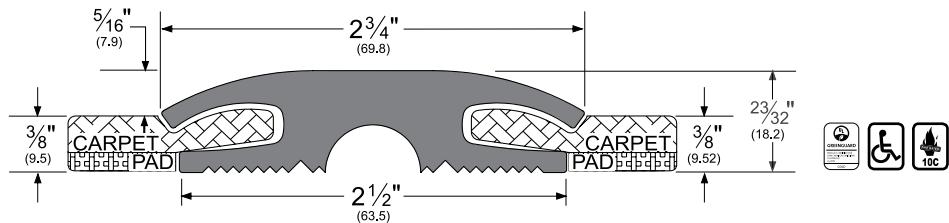
Experience a safer  
and more open world

# ECO-V™ THRESHOLDS

- Eco-V™ thresholds create an ideal transition where two different pieces of carpet meet, or carpet meets another surface under a door
- Ideal for use in any high-traffic commercial installation, such as hotels and offices
- Eco-V™ thresholds are manufactured from slightly softer material than competitive products. This aids in the cutting and fitting of the threshold and facilitates easier insertion of the carpet into the holding cavities on the carpet side(s) of the threshold
- Eco-V™ thresholds are designed to work in conjunction with Pemko's **2173\_V**, **2113\_V** and **2343\_V** door shoes
- **EV232**, **EV2325**, and **ADJ232V** thresholds meet the criteria outlined in **ADAAG-2010 (Amended)**; **ICC/ANSI A117.1** and **California Building Code, Title 24** for Barrier-Free Entry - 1/2" max rise above finished floor

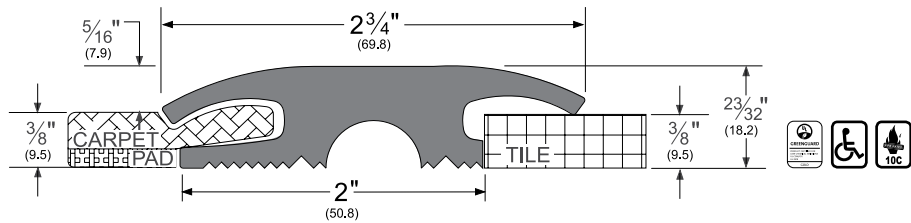
## EV232\_

AVAILABLE COLORS: **BL, D**  
 AVAILABLE LENGTHS: **36", 48", 73"**  
 Serves as a transition where two pieces of carpet meet beneath an interior door



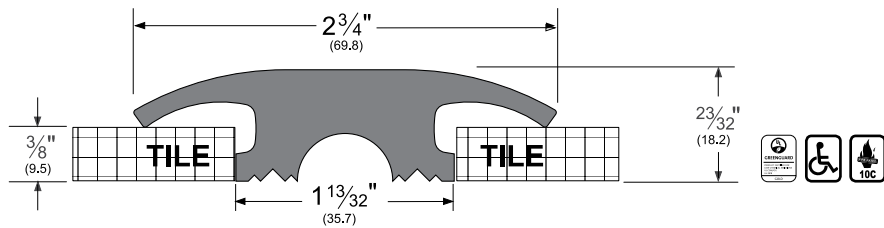
## EV2325\_

AVAILABLE COLORS: **BL, D**  
 AVAILABLE LENGTHS: **36", 48", 73"**  
 Serves as a transition where one piece of carpet meets tile beneath an interior door



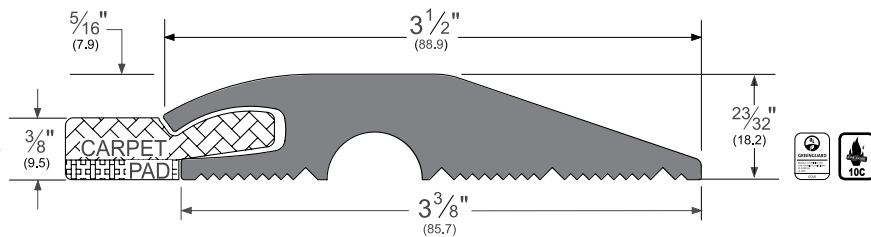
## EV2326\_

AVAILABLE COLORS: **BL, D**  
 AVAILABLE LENGTHS: **36", 48", 73"**  
 Serves as a transition where two pieces of tile meet beneath an interior door



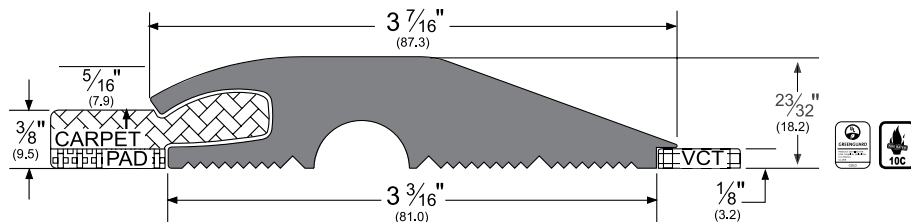
## EV2320\_

AVAILABLE COLOR: **BL**  
 AVAILABLE LENGTHS: **36", 48", 73"**  
 Serves as a transition where carpet meets concrete beneath an interior or exterior door



## EV2322\_

AVAILABLE COLOR: **BL**  
 AVAILABLE LENGTHS: **36", 48", 73"**  
 Serves as a transition where carpet meets 1/8" tile beneath an interior door



NOTE: Products shown in this section may not be drawn to scale.

AVAILABLE FINISHES FOR PRODUCTS SHOWN ON THIS PAGE  
**BL** (Black) **D** (Dark Brown)



Experience a safer and more open world

800-824-3018 | www.pemko.com  
 Check the web site for the up-to-date catalog

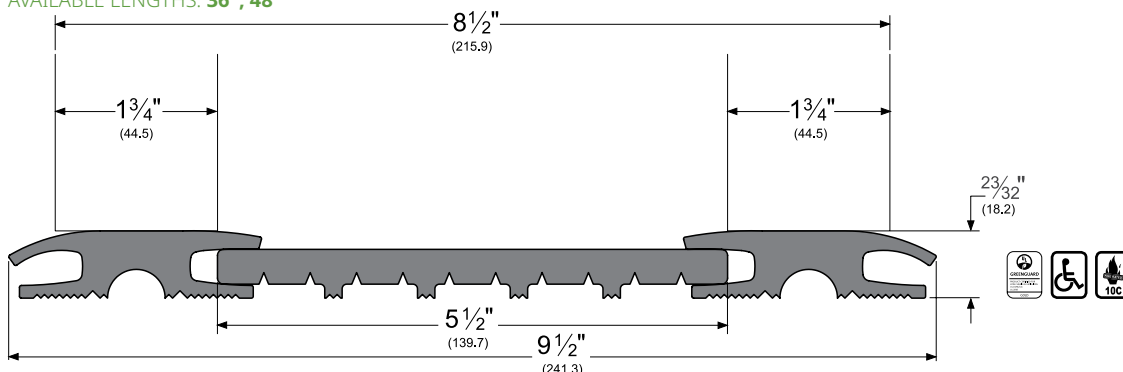
Copyright © 2015-2023, ASSA ABLOY Accessories and Door Controls Group, Inc., an ASSA ABLOY Group company. All rights reserved. Reproduction in whole or in part without the express written permission of ASSA ABLOY Accessories and Door Controls Group, Inc. is prohibited.

## ADJUSTABLE-WIDTH ECO-V™ THRESHOLD

- The adjustable-width threshold is designed for installations where the widths of the transition beneath a door may need to change, without completely disassembling and reinstalling the threshold
- The adjustable-width threshold consists of two Eco-V™ end pieces and one Eco-V™ adjustable center section
- Center section (**EV2321** below) can easily be cut to size with a standard razor knife

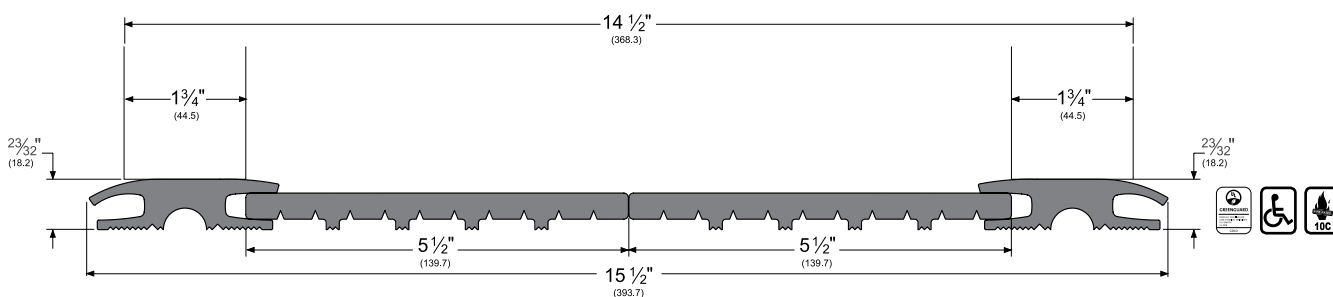
### ADJ232V8\_

AVAILABLE COLOR: **BL, D**  
 AVAILABLE LENGTHS: **36", 48"**



### ADJ232V14\_

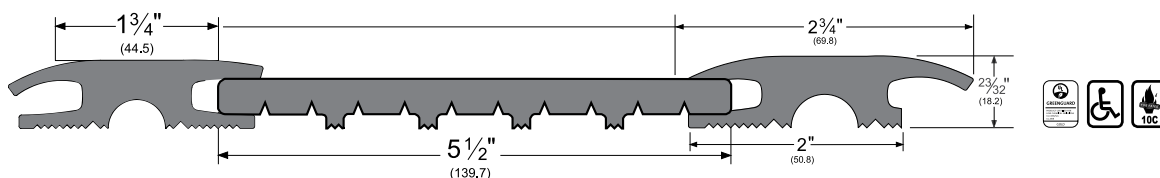
AVAILABLE COLOR: **BL, D**  
 AVAILABLE LENGTHS: **36", 48"**



### ADJ232x2325V8\_

AVAILABLE COLOR: **BL, D**  
 AVAILABLE LENGTHS: **36", 48"**

For carpet to tile applications; other combinations available



NOTE: Products shown in this section may not be drawn to scale.

AVAILABLE FINISHES FOR PRODUCTS SHOWN ON THIS PAGE  
**BL** (Black) **D** (Dark Brown)

800-824-3018 | www.pemko.com

Check the web site for the up-to-date catalog

Copyright © 2015-2023, ASSA ABLOY Accessories and Door Controls Group, Inc., an ASSA ABLOY Group company. All rights reserved. Reproduction in whole or in part without the express written permission of ASSA ABLOY Accessories and Door Controls Group, Inc. is prohibited.

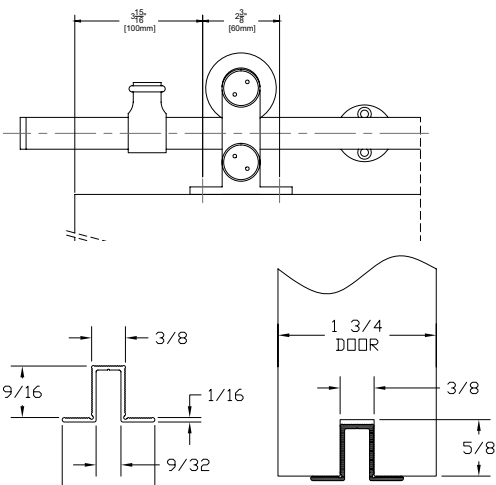
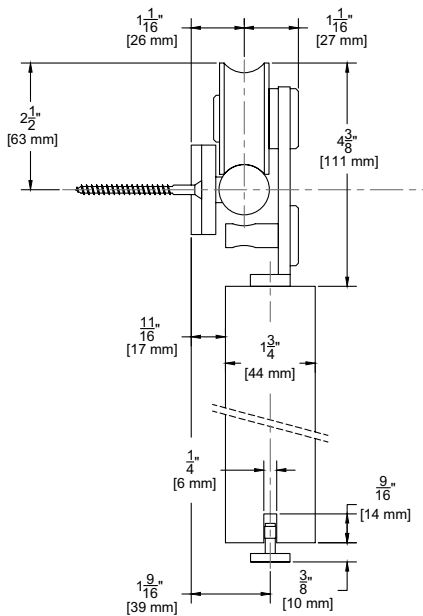
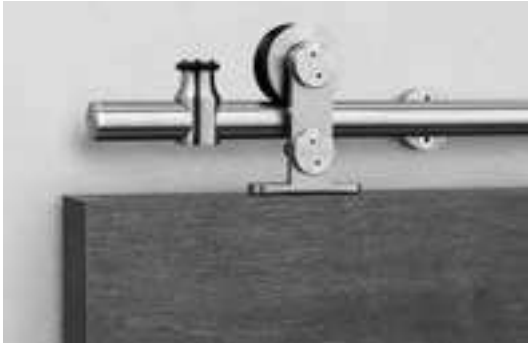
**PEMKO**  
**ASSA ABLOY**

Experience a safer  
 and more open world

# STAINLESS STEEL SLIDING TRACK HARDWARE SYSTEM

## W60 SERIES FOR WOOD DOORS

For Sliding Panels up to 176 lbs.



NOTE: Alternate route dimension when using optional EPD3BL



Experience a safer and more open world

### Configurations:

- Single
- Bi-parting

### Installations:

- Side Wall Mount (only)

### Features:

- Made of 304 stainless steel
- Nylon coated stainless steel wheel for smooth operation
- 176 lb. panel capacity
- 5 year warranty
- Meets ADA push force requirements

### Finishes:

- Brushed Stainless Steel (W60)
- Black Powder Coated Stainless Steel (W60D)
- Polished Stainless Steel (W60P)

### W60 Kits Include:

- 1 ea **BAR/** Stainless Steel Track
- **BRACKET2** Stainless Steel Wall Brackets
- 2 ea **62** Stainless Steel Hangers
- 1 ea **102SS-KIT** Stainless Steel Guide
- 2 ea **STOP2** Stainless Steel Stops Mounting Hardware

NOTE: If ordering individual parts in the optional Black Powder Coat, Polished finishes be sure to include a prefix "D" for Black Powder Coat, or "P" for Polished Stainless

Standard Kit Sizes			
PART NUMBER	MATERIAL	TRACK LENGTH	DOOR WIDTH
W60/6	304 Stainless Steel	78 <sup>3</sup> / <sub>4</sub> "	36"
W60/8	304 Stainless Steel	98 <sup>7</sup> / <sub>16</sub> "	48"
W60D/6	Black Powder Coated Stainless Steel	78 <sup>3</sup> / <sub>4</sub> "	36"
W60D/8	Black Powder Coated Stainless Steel	98 <sup>7</sup> / <sub>16</sub> "	48"
W60P/6	304 Polished Stainless Steel	78 <sup>3</sup> / <sub>4</sub> "	36"
W60P/8	304 Polished Stainless Steel	98 <sup>7</sup> / <sub>16</sub> "	48"

Custom lengths are available. Please contact the factory to order.

### Options:

- Hardware Pack (One Door) **W60\_H/PACK**
- Mortise Guides **102N**
- Polypropylene Guide Rail **EPD3BL** For Use With 102N
- 5/8" Spacer **BLD-SPACER-58** Pack of 5 5/8" Spacer Recommended for use with 5/8" Gypsum Board When Mounting Track Directly to Gypsum Board

800-824-3018 | www.pemko.com

Check the web site for the up-to-date catalog

Copyright © 2015-2023, ASSA ABLOY Accessories and Door Controls Group, Inc., an ASSA ABLOY Group company. All rights reserved. Reproduction in whole or in part without the express written permission of ASSA ABLOY Accessories and Door Controls Group, Inc. is prohibited.



# CASCADING SLIDING DOOR SYSTEM

For Sliding Panels up to 200 lbs. each.



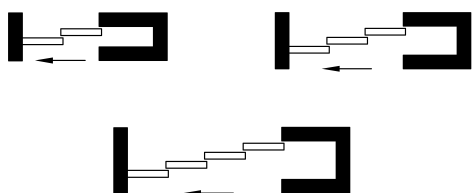
Note: All doors must be of equal width. Minimum overlap between doors is 2".

## Cased Opening

NOTE: Aluminum "T" Guide **102PB** Shown Under Options Must be Ordered Separately for Fixed Panel in Cased Opening Application



## Pocket



## Side Wall Mount

NOTE: Side Wall track Brackets Shown Under Options Must be Ordered Separately for Side Wall Mount Openings



## Configurations:

- Bi-part Telescoping
- Single Direction Telescoping

## Features:

- Opening and closing of lead door results in the trailing doors to follow because of interlocking hardware at door top edges
- Easy to install with self aligning components on 1 3/4" and 1 3/8" thick doors
- Telescoping panels glide along the track
- Solid steel catches with rubber bumpers ensure durable yet quiet operation
- 200 lb. per door weight capacity
- 5 year warranty

## Cascading Kit Includes:

**CAS-05** Catches - Mechanical Catch system - 2 Per Door

**601H** - Track Stops - 2 Per Door

**H222R1** - Hangers - 2 Per Door

**DBG-02R1** - Door Bottom Guides - 1 Per Door

**TELS-23** - End Plates - 2 Per Door

**2802C** - Single Extrusion - Dual Track

**280C** - Single Extrusion - Single Track

**C1076-TC** - Track Connector for CAS200A-4/\_ Kits

**EPD3-BL** - Polypropylene Guide Rails - 1 Per Door

**WRENCH14** - 1 Hanger Wrench Hardware Fasteners

Cascading System Kits			
PART NUMBER	TRACK LENGTH	# OF DOORS	INSTALLATION
CAS200A-2/6	6'	2	Pocket Side Wall
CAS200A-2/8	8'	2	
CAS200A-2/10	10'	2	
CAS200A-2/12	12'	2	Pocket Cased Opening Side Wall
CAS200A-3/8	8'	3	
CAS200A-3/10	10'	3	
CAS200A-3/12	12'	3	
CAS200A-3/16	16'	3	Pocket Cased Opening
CAS200A-4/8	8'	4	
CAS200A-4/10	10'	4	
CAS200A-4/12	12'	4	
CAS200A-4/16	16'	4	

For special number of doors and for dark bronze track, please contact Technical Support for more information

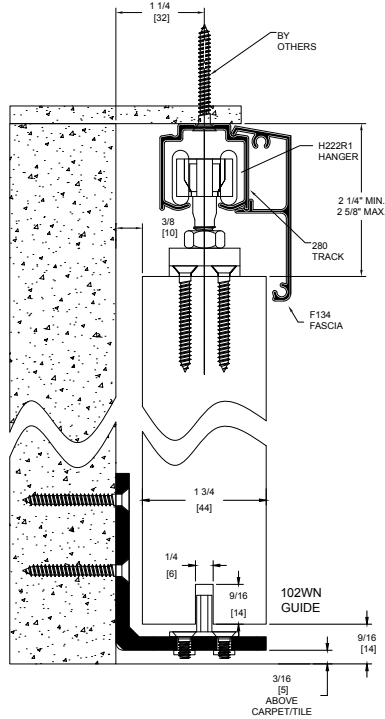
## Options:

Lock Kit	<b>SIM150-LOCKKIT</b> includes lock with edge pull and cup pull
Bolt Kit	<b>SIM150-BOLTKIT</b> includes surface bolt, dust-proof strike, cup pull, and edge pull
Fascia	<b>F134C</b> Snap-on Fascia
Splice Kit	<b>C1076-2SPLKIT</b> for use with Bi-Parting systems and 2802C Track <b>C1076-3SPLKIT</b> for use with Bi-Parting systems and 2803C Track
Back Stop	<b>TELS-25</b> for use with pocket systems when no access to in track stops in pocket
Aluminium "T" Guide	<b>102PB</b> for use with fixed panel in cased opening applications
Side Wall Track Bracket	<b>2812KIT</b> for use with 2802C Track (1 for every 12" of track) <b>2813KIT</b> for use with 2803C Track (1 for every 12" of track)
Side Wall Joining Bracket	<b>2813-5KIT</b> for use with Side Wall Bi-Parting systems and <b>2803C</b> Track

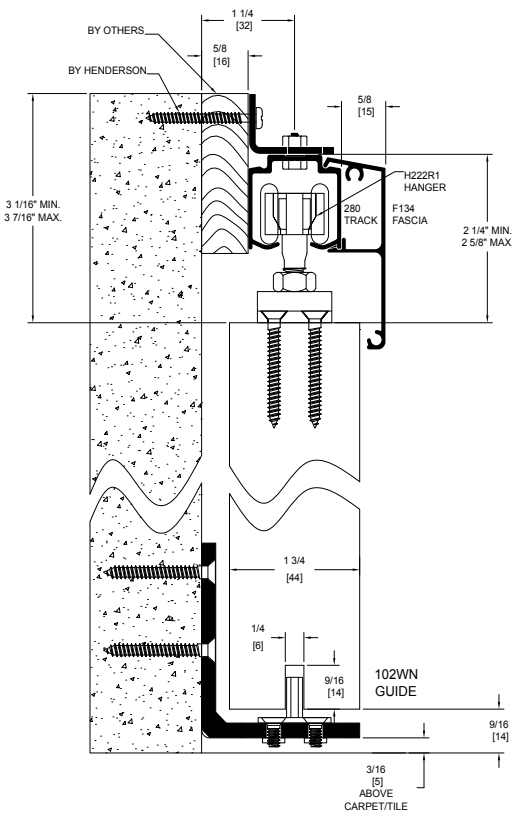
# SHS80 SERIES

For Sliding Panels up to 200 lbs.

## Overhead Mount



## Side Wall Mount



### Configurations:

- Single
- Bi-parting

### Installations:

- Overhead Mount
- Side Wall Mount

### Features:

- Hanger body is made of nickel plated zinc alloy for durability and long life
- Steel ball bearing wheels coated in nylon for smooth operation
- 200 lb. panel capacity
- Optional Soft Close
- 5 year warranty
- Meets ADA push force requirements

### SHS80 Kits Include:

- 1 ea **280C** Clear Anodized Aluminum Track
- 2 ea **H222R1** - Nickel Plated Zinc Alloy Body
- 2 ea **601H** Nylon In-Track Clip Stop
- 1 ea **102WN** White Nylon Mortise Guide on Zinc Plated Steel "L" Metal

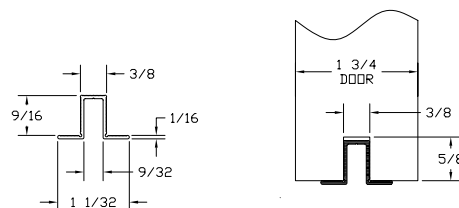
### Standard Kit Sizes

PART NUMBER	MATERIAL	TRACK LENGTH	DOOR WIDTH
SHS80/6	Aluminum	72"	36"
SHS80/8	Aluminum	96"	48"

### Options:

- Fascia **F134C** clear anodized aluminum fascia
- F134D** dark bronze anodized fascia
- Side Wall Track Brackets **PC2815** available as 5 pack only, PC2815 pack of 5 281 zinc plated side wall bracket. NOTE: Need one at each end and no more than 2 feet in-between. Fasteners included.
- Track **280D** dark bronze anodized track
- End Plate Kit **K134EP** (use with F134C and 280C only)
- Bottom Channel **94A**
- Roller Guide **106R/94**
- Threshold **971A**
- Side Wall Mount **SHS80/PACK**
- Extra Hardware Pack **102N**
- Mortise Floor Guide **EPD3BL** for use with 102N or 102WN
- Polypropylene Guide Rail **EPD3BL** for use with 102N or 102WN
- Soft Close available. See page 269-271 for more information.

### Alternate Route for EPD3BL



Experience a safer and more open world

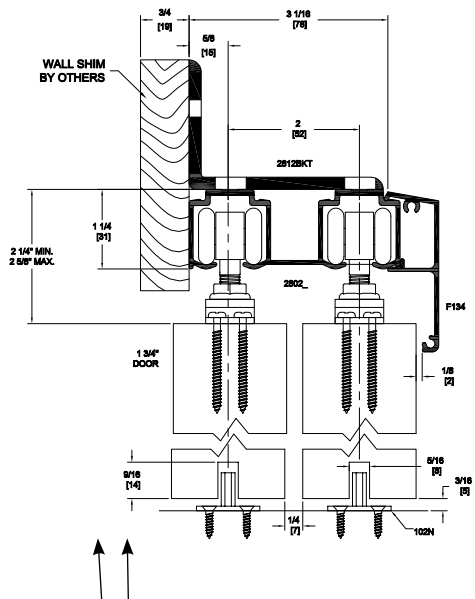
800-824-3018 | www.pemko.com  
Check the web site for the up-to-date catalog

Copyright © 2015-2023, ASSA ABLOY Accessories and Door Controls Group, Inc., an ASSA ABLOY Group company. All rights reserved. Reproduction in whole or in part without the express written permission of ASSA ABLOY Accessories and Door Controls Group, Inc. is prohibited.

# BYPASS TRACK SERIES

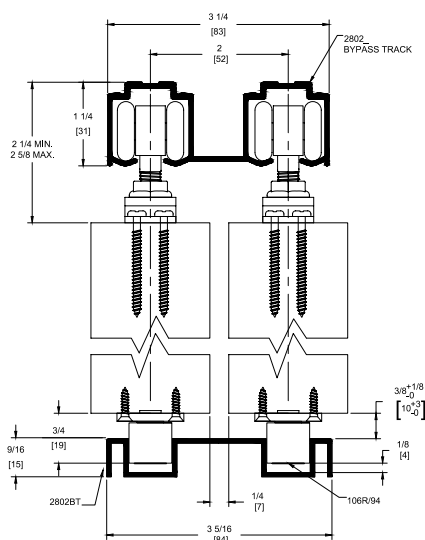
For Bypass Panels up to 200 lbs.

## 1 3/4" Thick Doors Side Wall Mount



NOTE: Route door 9/16" deep by 1/4" wide to receive 102N Guide.

## 1 3/4" Thick Doors Overhead Mount



\* Side Wall mounting: use one (1) 2812KIT at each end of track and 24" on center

### Configurations:

- For Bypass Doors

### Features:

- Fits 1 3/8" and 1 3/4" doors
- Hanger body is made of nickel plated zinc alloy for durability and long life
- Steel ball bearing wheels coated in nylon for smooth operation
- 200 lb. panel capacity
- Load capacity 200 lbs. per door panel (2 hangers)
- Extruded aluminum track
- Optional Soft Close
- 5 year warranty
- Meets ADA push force requirements

### HBP200A Kits Include:

- 1 ea **2802C** Clear Anodized Aluminum Track
- 4 ea **H222R1** Hangers
- 2 ea **102N** White Nylon Mortise Guide
- 4 ea **TELS-14KIT** In Track Stops
- 1 ea Adjusting Wrench and Mounting Hardware

Standard Kit Sizes		
PART NUMBER	TRACK LENGTH	DOOR WIDTH
HBP200A/4	48"	2 @ 26" Min*
HBP200A/5'4	64"	2 @ 34" Min*
HBP200A/6	72"	2 @ 38" Min*
HBP200A/7	84"	2 @ 44" Min*
HBP200A/8	96"	2 @ 50" Min*
HBP200A/10	120"	2 @ 62" Min*
HBP200A/12	144"	2 @ 74" Min*

\*Minimum door overlap is 2".

### Options:

- Hardware Kit **H200PACK**
  - Mounting Bracket **2812KIT**
  - Track **2802D** dark bronze anodized track
  - Track Stop (bumper) **287R1-KIT**
  - Bottom Channel **94A**
  - Fascia, Snap-On **F134C** clear anodized aluminum fascia. **F134D** dark bronze anodized aluminum fascia
  - Roller Guide **106R/94**
  - Dual Guide Channel **2802BT**
  - Polypropylene Guide Rail **EPD3BL** for use with 102N
- Soft Close available. See page 269-271 for more information.

AVAILABLE FINISHES FOR PRODUCTS SHOWN ON THIS PAGE

A (Mill Finish Aluminum) C (Clear Anodized)  
800-824-3018 | www.pemko.com

Check the web site for the up-to-date catalog

Copyright © 2015-2023, ASSA ABLOY Accessories and Door Controls Group, Inc., an ASSA ABLOY Group company. All rights reserved. Reproduction in whole or in part without the express written permission of ASSA ABLOY Accessories and Door Controls Group, Inc. is prohibited.



Experience a safer  
and more open world



Experience a safer  
and more open world

800-824-3018 | [www.pemko.com](http://www.pemko.com)  
Check the web site for the up-to-date catalog

Copyright © 2015-2023, ASSA ABLOY Accessories and Door Controls Group, Inc., an ASSA ABLOY Group company. All rights reserved.  
Reproduction in whole or in part without the express written permission of ASSA ABLOY Accessories and Door Controls Group, Inc. is prohibited.

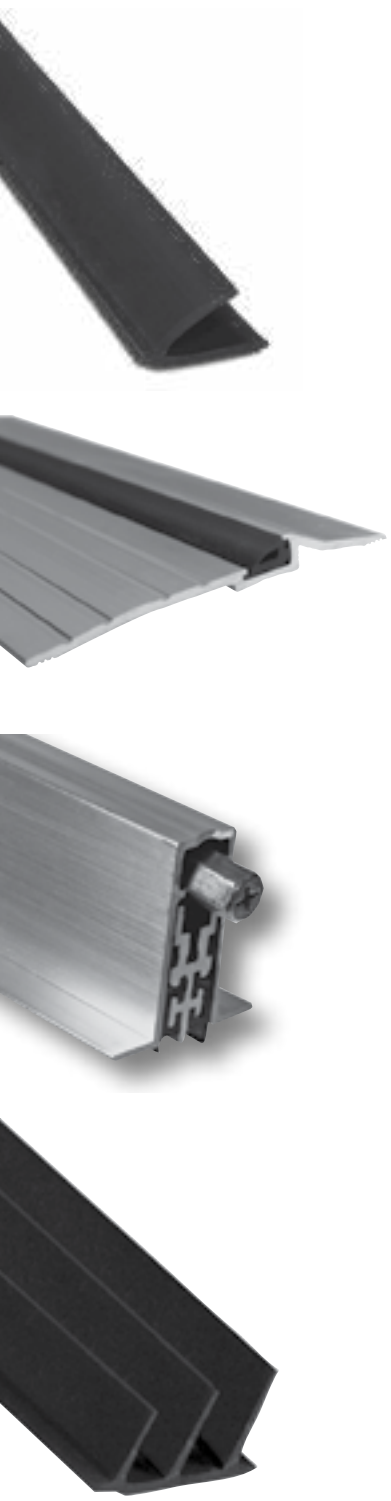
# PEMKO ACOUSTIC PRODUCTS

## CONTENTS:

Basic Acoustic Information .....	214
Acoustic Seal Sets .....	216
Acoustic Thresholds .....	217
Saddle Thresholds .....	218
Automatic Door Bottoms - Acoustic .....	219
Door Shoes.....	219
Acoustic Adhesive Corner Pads .....	219
Standard Perimeter Gasketing .....	220
SiliconSeal Adhesive-Backed Gasketing.....	220

## INDEX:

<u>PRODUCT</u>	<u>PAGE</u>	<u>PRODUCT</u>	<u>PAGE</u>	<u>PRODUCT</u>	<u>PAGE</u>
151 .....	218	2006STC_ .....	217	S44.....	220
154.....	218	2008.....	217	S442 .....	220
175 .....	218	2009.....	217	S773.....	220
303.....	220	2212.....	219	STC411.....	219
312 .....	220	3692.....	219	STC4131 .....	219
315 .....	220	ACP112.....	219		
1547.....	218	PEMKOSTCSET .....	216		



## The Impact of Sound

Everyday our ears are met with a barrage of sounds. Sounds can be pleasant, like music or laughter. But they can also be disruptive, like construction or traffic, or even just the people in the cubicle next door. At a certain point sound becomes noise and we look for ways to control it. Sound control is especially important in classrooms, hospitals, hotels and offices, as it impacts our ability to learn, heal, sleep and think. The U.S. Green Building Council recognizes the importance of acoustical control by including LEED Indoor Environment Quality (IEQ) credits for acoustics.

## Description of Sound

Sound can be described as vibrations in the air moving in waves. The rate of sound vibrations measured in cycles per second is called frequency and is measured in hertz (Hz). Sound pressure levels are measured in decibels (dB). For a list of common noises and their related decibel level, see the chart on the right.

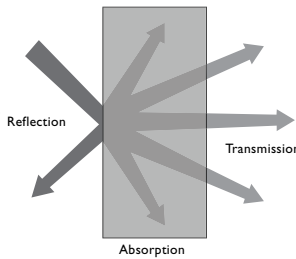
Sound Level dB		
0	Threshold of hearing	Inaudible
20	Very rural environment	Extremely quiet
30	Quiet home	Faint
40	Quiet office	Distant sounds audible
50	Background conversation	Moderate
60	Radio/Television in home	Moderate
70	Highway noise	Moderately loud
80	Background factory noise	Loud
90	Noisy factory	Very loud
105	Elevated train	Deafening
120	Bass drum at 3'	Physical pain
130	Jet aircraft at 100'	Physical pain

## Basic Acoustics

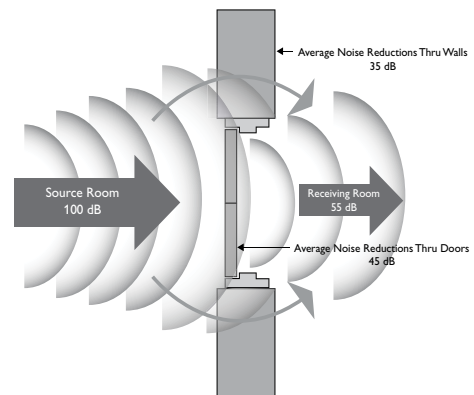
Sound transmission reduction relies on two main principles:

**Sound Absorption** - Removing sound energy from within a room by using materials such as acoustic tiles or open cell foam to soak up sound.

**Sound Insulation** - Preventing the transmission of sound waves by introducing a barrier. Examples include brick, concrete, metal, heavy doors, etc.



Sound waves will travel the path of least resistance. A high performing door will not compensate for less performing materials in the walls around it.



In order to reduce the transmission of sound, materials are added between the source room and the receiving room. The resulting change in decibel level is the sound transmission loss and is given a Sound Transmission Class (STC) rating. The higher the rating number, the lower the transmission of sound. The STC rating is roughly the decibel reduction a partition can provide. For instance, if a 100 dB noise is reduced to 55 dB, that product roughly has a STC 45 rating.



Experience a safer and more open world

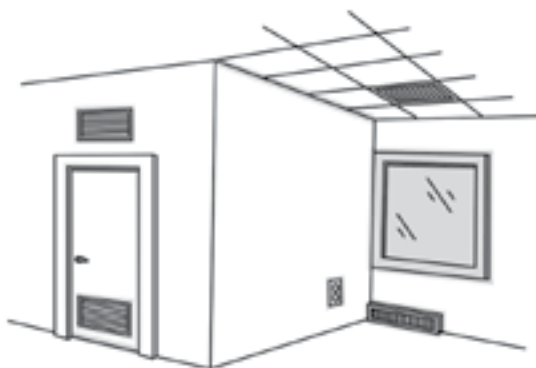
800-824-3018 | [www.pemko.com](http://www.pemko.com)  
Check the web site for the up-to-date catalog

Copyright © 2015-2023, ASSA ABLOY Accessories and Door Controls Group, Inc., an ASSA ABLOY Group company. All rights reserved. Reproduction in whole or in part without the express written permission of ASSA ABLOY Accessories and Door Controls Group, Inc. is prohibited.

## Sound Flanking

Flanking is the leakage of airborne sound around a door opening through any available gap. Flanking between the door leaf and the surrounding frame is reduced by the use of seals.

Optimum sound attenuation performance is likely achieved using a four sided frame with a sill made to the same detail as the head and the seals set in a single plane. If a full four sided frame is not an option, then alternative threshold sealing options should be made such as automatic door bottoms, door shoes and/or thresholds.



Active STC Rating	Level Of Speech Heard
STC-30	Loud speech understood
STC-35	Loud speech heard but not understood
STC-40	Loud speech audible as a murmur
STC-45	Some loud speech barely audible
STC-48	Hearing strained to hear loud speech
STC-50	Loud speech not audible

## STC Ratings

Acoustic Door Testing is done on “sealed-in-place” (fully caulked) doors for door STC ratings, as well as on assemblies (with gasketing and door bottoms) for operable STC ratings. Operable STC ratings are always equal to or lower than the sealed-in-place ratings. The best performance rating on the operable test is a 'zero drop' in the assembly's STC rating. For example, a door with a STC 45 rating can only achieve an operable STC of 45 at its very best; it can never achieve a STC 50.

Also, since sound waves travel the path of least resistance, a high performing door will not compensate for elements like improperly installed seals around doors, the lack of a threshold under the door, a non-insulated frame, louvered doors, or poor seals at the wall/ceiling/floor/mullion connections.

When STC ratings are determined, normal human speech and hearing are used. In most cases the level of reduction does not totally eliminate but rather muffles the sound to an unintelligible level. The chart shown on the left compares the level of speech that would be heard through a door system with the indicated operable STC rating.

**Look for Pemko products with this symbol:**



**Tested To: ASTM E 90-2009**

Products indicated by this symbol have been acoustically tested in accordance with ASTM E90 - Standard Test Method for Laboratory Measurement of Airborne Sound Transmission Loss of Building Partitions and Elements.

### Need STC Rated Doors?

Pemko Acoustic Seal Sets are an important part of an overall acoustic solution. ASSA ABLOY Group brands can provide the other elements of the solution including STC Rated Doors, STC Rated Frames and complete STC Rated Assemblies.

**For more information please see:**

CECO DOORS: [www.cecodoor.com](http://www.cecodoor.com)  
 CURRIES: [www.curries.com](http://www.curries.com)

## Acoustic Seal Sets

Pemko acoustic components are available in their appropriate sets. These product combinations are lab tested and have known decibel drops when used with sound-rated doors. Each kit includes gasketing, a door bottom or threshold, and a complete set of installation instructions. Installation instructions show the proper installation location for each component for optimal performance.

### HOW TO:

1. Locate the Sealed-In-Place (inoperable) rating for your door.
2. Determine the maximum allowable drop for your opening (i.e. -1 db). Note: the numbers are represented as negative numbers as they will decrease your inoperable rating by the number shown (i.e. 45 using a -1 kit will decrease the inoperable rating from 45 to an operable of 44)
3. Find a number in the column below your door's inoperable rating that will keep your opening in the allowable range.
4. Select a kit (or one of the kits given if Alternate Kits are shown), place it on your Purchase Order and add your opening size in inches (i.e. a 3/0 x 7/0 opening will be ordered as a 3684).

Item Number	Sealed-In-Place Door STC Rating				
	58 to 54	53 to 49	48 to 46	45 to 43	<42
PEMKOSTCSET-1A Alternate Kits: 1B, 1C, 1D, 1E		-2	-2	-1	0
PEMKOSTCSET-2C	-3	-2	-2	-1	0
PEMKOSTCSET-2D Alternate Kits: 2A, 2B	-3	-2	-1	-1	0
PEMKOSTCSET-2E	-2	-2	-1	-1	0
PEMKOSTCSET-3A		-2	-1	0	0
PEMKOSTCSET-3D		-2	-1	0	0
PEMKOSTCSET-3E	-2	-2	-1	0	0
PEMKOSTCSET-3B				0	0
PEMKOSTCSET-4A	-3	-2	-1	0	0
PEMKOSTCSET-4B	-3	-2	-1	0	0
PEMKOSTCSET-4D	-3	-2	-1	0	0
PEMKOSTCSET-4E	-2	-2	-1	0	0

NOTE: A seal set cannot increase the sealed-in-place rating; a zero drop is the best performance any seal set can provide.

Item Number	Gasketing	Door Bottom	Threshold	Corner Pad
PEMKOSTCSET-1A	S773BL (Single Row) and S44BL (Single Row)	STC411APK		ACP112BL
PEMKOSTCSET-1B	S44BL (Two Rows)	STC411APK		ACP112BL
PEMKOSTCSET-1C	S442BL (Single Row) and S44BL (Single Row)	STC411APK		ACP112BL
PEMKOSTCSET-1D	303AS and S44BL (Single Row)	STC411APK		ACP112BL
PEMKOSTCSET-1E	312CR and S44BL (Single Row)	STC411APK		ACP112BL
PEMKOSTCSET-2A	S773BL (Single Row) and S44BL (Single Row)		2008APK	
PEMKOSTCSET-2B	S44BL (Two Rows)		2008APK	
PEMKOSTCSET-2C	S442BL (Single Row) and S44BL (Single Row)		2008APK	
PEMKOSTCSET-2D	303AS and S44BL (Single Row)		2008APK	
PEMKOSTCSET-2E	312CR and S44BL (Single Row)		2008APK	
PEMKOSTCSET-3A	S773BL (Single Row) and S44BL (Single Row)	3692APK773BL		
PEMKOSTCSET-3B	S44BL (Two Rows)	3692APK773BL		
PEMKOSTCSET-3D	303AS and S44BL (Single Row)	3692APK773BL		
PEMKOSTCSET-3E	312CR and S44BL (Single Row)	3692APK773BL		
PEMKOSTCSET-4A	S773BL (Single Row) and S44BL (Single Row)		2009APK	
PEMKOSTCSET-4B	S44BL (Two Rows)		2009APK	
PEMKOSTCSET-4D	303AS and S44BL (Single Row)		2009APK	
PEMKOSTCSET-4E	312CR and S44BL (Single Row)		2009APK	

NOTE: 2008PK and 2009PK have acoustic equivalency.



Experience a safer and more open world

800-824-3018 | [www.pemko.com](http://www.pemko.com)  
Check the web site for the up-to-date catalog

Copyright © 2015-2023, ASSA ABLOY Accessories and Door Controls Group, Inc., an ASSA ABLOY Group company. All rights reserved. Reproduction in whole or in part without the express written permission of ASSA ABLOY Accessories and Door Controls Group, Inc. is prohibited.



## ACOUSTIC THRESHOLDS

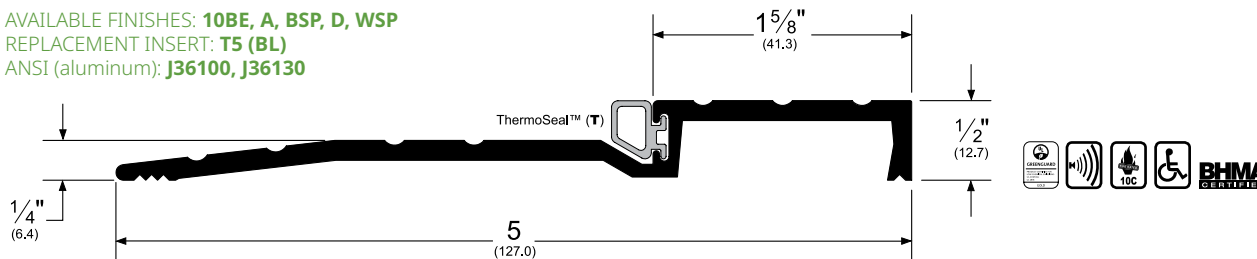
- Pemko Acoustic Thresholds are designed to aid with a door's STC rating
- Thresholds will not improve a door's "sealed in-place" STC rating
- Visit [www.assaabloydooraccessories.us](http://www.assaabloydooraccessories.us), for more Acoustic products and additional information

### 2006STC\_

AVAILABLE FINISHES: **10BE, A, BSP, D, WSP**

REPLACEMENT INSERT: **T5 (BL)**

ANSI (aluminum): **J36100, J36130**

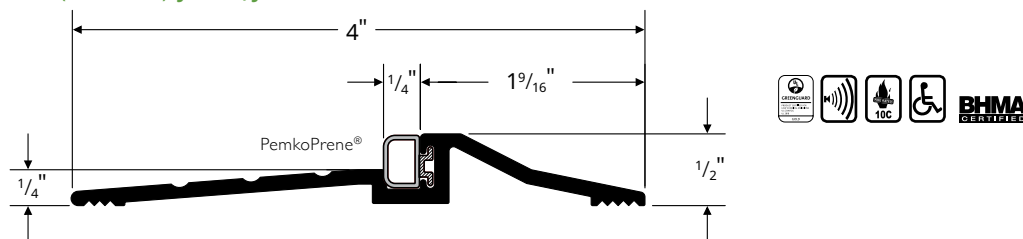


### 2008\_PK

AVAILABLE FINISHES: **10BE, A, BSP, D, WSP**

REPLACEMENT INSERT: **PK381 (BL)**

ANSI (aluminum): **J36100, J36130**



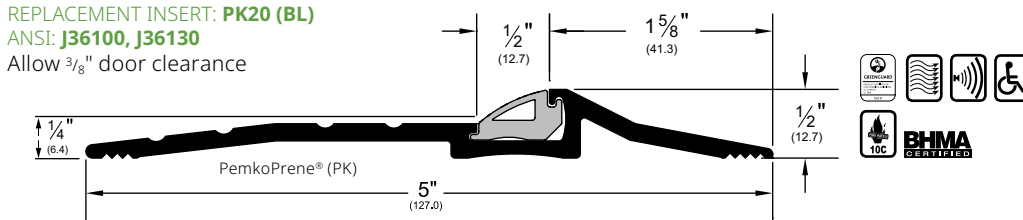
### 2009\_PK

AVAILABLE FINISHES: **10BE, A, BSP, D, WSP**

REPLACEMENT INSERT: **PK20 (BL)**

ANSI: **J36100, J36130**

Allow 3/8" door clearance



AVAILABLE FINISHES FOR PRODUCTS SHOWN ON THIS PAGE

**10BE** (Satin Bronze Powder Coated Aluminum) **A** (Mill Finish Aluminum)

**BSP** (Black Suede Powder Coated Aluminum) **D** (Dark Bronze Anodized)

**WSP** (White Suede Powder Coated Aluminum)

800-824-3018 | [www.pemko.com](http://www.pemko.com)

Check the web site for the up-to-date catalog

Copyright © 2015-2023, ASSA ABLOY Accessories and Door Controls Group, Inc., an ASSA ABLOY Group company. All rights reserved. Reproduction in whole or in part without the express written permission of ASSA ABLOY Accessories and Door Controls Group, Inc. is prohibited.

**PEMKO**  
**ASSA ABLOY**

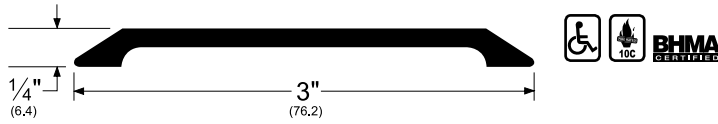
Experience a safer  
and more open world

# SADDLE THRESHOLDS

- Use these with Pemko Automatic Door Bottoms to create a smooth, even sealing surface

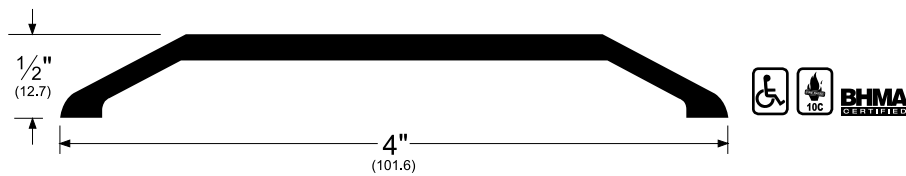
## 151\_

AVAILABLE FINISHES: **10BE**, **A**, **B**, **BSP**, **D**, **WSP**  
 ANSI (aluminum): **J32300**, **J32330**  
 ANSI (brass): **J12300**, **J12330**



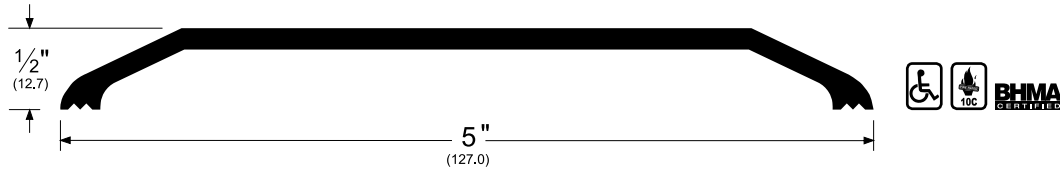
## 175\_

AVAILABLE FINISHES: **10BE**, **A**, **B**, **BSP**, **D**, **WSP**  
 ANSI (aluminum): **J32300**, **J32330**  
 ANSI (brass): **J12300**, **J12330**



## 154\_

AVAILABLE FINISHES: **10BE**, **A**, **BSP**, **D**, **WSP**  
 ANSI (aluminum): **J32300**, **J32330**



## 1547\_

AVAILABLE FINISHES: **10BE**, **A**, **BSP**, **WSP**  
 ANSI (aluminum): **J32300**, **J32330**



AVAILABLE FINISHES FOR PRODUCTS SHOWN ON THIS PAGE

- 10BE** (Satin Bronze Powder Coated Aluminum)
- A** (Mill Finish Aluminum)
- B** (Mill Finish [Brass] Bronze)
- BSP** (Black Suede Powder Coated Aluminum)
- D** (Dark Bronze Anodized)
- WSP** (White Suede Powder Coated Aluminum)



Experience a safer and more open world

800-824-3018 | [www.pemko.com](http://www.pemko.com)  
 Check the web site for the up-to-date catalog

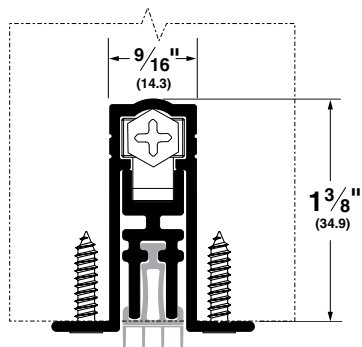
Copyright © 2015-2023, ASSA ABLOY Accessories and Door Controls Group, Inc., an ASSA ABLOY Group company. All rights reserved. Reproduction in whole or in part without the express written permission of ASSA ABLOY Accessories and Door Controls Group, Inc. is prohibited.

## AUTOMATIC DOOR BOTTOMS - ACOUSTIC

- Non-handed
- Recommended gap under door is 1/2" for optimal acoustic performance max drop is 3/4"
- Internal mechanism allows bar to accommodate slight imperfections in floor materials
- STC411 end plate kit is K435; for doors narrower than 1-3/4", specify end plate kit K411
- STC4131 end plate kit is K4133C for Clear Anodized and K4133D for Dark Bronze Anodized

### STC411\_PK

AVAILABLE FINISHES: **A**  
REPLACEMENT INSERT:  
**PK4111 (BL)**  
ANSI: **R3G324, R3G325**

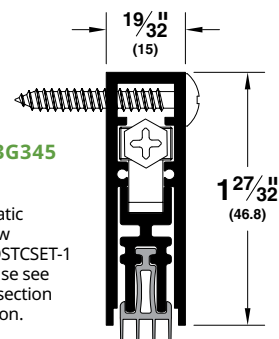


### STC4131\_PK

AVAILABLE FINISHES: **10BE, BSP, C, D, WSP**  
REPLACEMENT INSERT: **PK4111 (BL)**  
ANSI: **R3G334, R3G335, R3G344, R3G345**



NOTE:  
STC411\_PK Automatic Door Bottom is now included in PEMKOSTCSET-1 (A through E). Please see Acoustic Products section for more information.

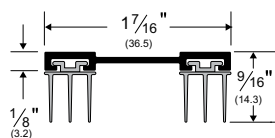


## DOOR SHOES

- Slotted holes for easy adjustment
- Provided with stainless steel fasteners
- Use a flat saddle to create a positive sealing surface that ensures maximum acoustic performance

### 3692\_PK773

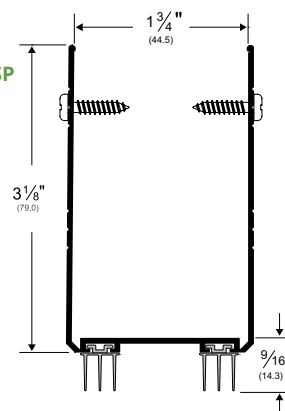
AVAILABLE FINISH: **A**  
AVAILABLE LENGTHS: **36", 48"**  
REPLACEMENT INSERT: **PK773 (BL, GR)**  
ANSI: **R3G414, R3G415**



### 2212\_PK773

AVAILABLE FINISHES: **10BE, A, BSP, WSP**  
REPLACEMENT INSERT: **PK773 (BL)**  
ANSI: **R3G416**

- Combination door shoe and kick plate
- Excellent Acoustic performance

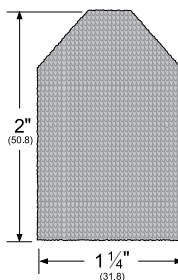


## ACOUSTIC ADHESIVE CORNER PADS

- Corner pad with black or white polypropylene pile, with pressure-sensitive adhesive
- Apply to corner of jamb on hinge side to seal against air and light infiltration

### ACP112\_

AVAILABLE COLORS: **BL, W**



NOTE: Products shown in this section may not be drawn to scale.

AVAILABLE FINISHES FOR PRODUCTS SHOWN ON THIS PAGE  
**10BE** (Satin Bronze Powder Coated Aluminum) **A** (Mill Finish Aluminum)  
**BSP** (Black Suede Powder Coated Aluminum) **C** (Clear Anodized)  
**D** (Dark Bronze Anodized) **WSP** (White Suede Powder Coated Aluminum)  
Corner Pads: **BL** (Black) **W** (White)

800-824-3018 | [www.pemko.com](http://www.pemko.com)

Check the web site for the up-to-date catalog

Copyright © 2015-2023, ASSA ABLOY Accessories and Door Controls Group, Inc., an ASSA ABLOY Group company. All rights reserved. Reproduction in whole or in part without the express written permission of ASSA ABLOY Accessories and Door Controls Group, Inc. is prohibited.

**PEMKO**  
**ASSA ABLOY**

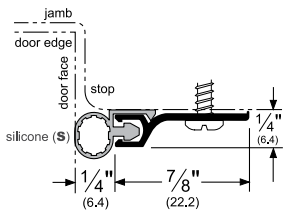
Experience a safer  
and more open world

# STANDARD PERIMETER GASKETING

- Rigid jamb weatherstrip shown mounted on openings with  $\frac{1}{16}$ " gaps; however, each weatherstrip can seal gaps up to the depth of its seal. Seal depth provided on each illustration (example: the **303** has a  $\frac{1}{4}$ " seal; therefore, it can seal up to a  $\frac{1}{4}$ " gap)
- Punched on 6" centers with slotted holes for adjustment
- Model 303 is available with self-adhesive two-sided tape (TST) and tek screws (3 slotted holes per part) for easy installation. To obtain this option, add "TST" to the end of the part when ordering (example: **303AVTST**)
- Pemko is continually commissioning tests for acoustic assemblies. More profiles may be tested from this category. Please contact Customer Service if the options here don't suit your application.

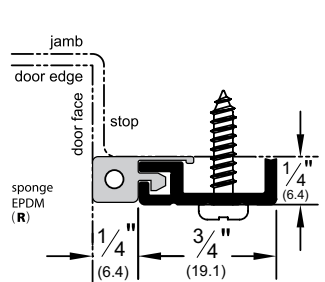
## 303\_S

AVAILABLE FINISHES:  
**10BE, A, BSP, C, D, G, PW, SN, WSP**  
 REPLACEMENT INSERT: **S3 (BL, GR, W)**  
 ANSI: **R3E164, R3E165**



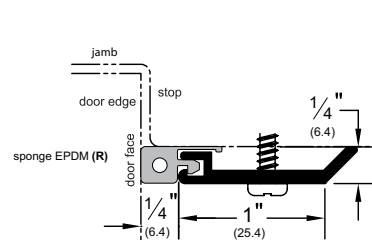
## 312\_R

AVAILABLE FINISHES: **10BE, BSP, C, D, WSP**  
 REPLACEMENT INSERT: **ER9BL (BL)**  
 ANSI (alum): **R3G164, R3G165**



## 315\_R

AVAILABLE FINISHES: **10BE, BSP, C, D, WSP**  
 REPLACEMENT INSERT: **ER9BL (BL)**  
 ANSI (alum): **R3G164, R3G165**



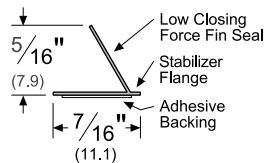
# SILICONSEAL ADHESIVE-BACKED GASKETING

- SiliconSeal is extruded from high-temperature silicone; effective between -58°F and 450°F
- Self-extinguishing and non-toxic; unaffected by sunlight, ozone, and ultraviolet rays
- Impervious to fungus and mildew; will not deteriorate under normal exposure
- Meets FAR 25.853 Airworthiness Standards for Compartment Interiors

## S44

AVAILABLE FINISHES: **BL, C, D, GR, W**  
 AVAILABLE LENGTHS: **17', 18', 20', 21', 25', 30', 204', 510'**  
 ANSI: **ROE154, ROE155**

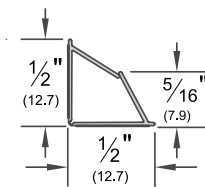
- Designed for tighter frames
- Demonstrates extremely low closing force
- Seal begins compressing at  $\frac{5}{16}$ "; compresses to seal up to a  $\frac{1}{16}$ " gap



## S442

AVAILABLE FINISHES: **BL, D, W**  
 AVAILABLE LENGTHS: **17', 18', 20', 21', 25', 30', 510'**  
 ANSI: **ROE154, ROE155**

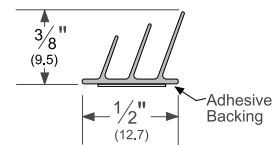
- Fits flush into corner
- Seal begins compressing at  $\frac{5}{16}$ "; compresses to seal up to a  $\frac{1}{16}$ " gap in either direction



## S773

AVAILABLE FINISHES: **BL, D, GR, W**  
 AVAILABLE LENGTHS: **17', 18', 20', 21', 25', 30', 250', 500'**  
 ANSI: **ROE154, ROE155**

- Triple-fin design effectively blocks light and sound from infiltrating a room
- Seal begins compressing at  $\frac{3}{8}$ "; compresses to seal up to a  $\frac{3}{32}$ " gap



NOTE: Products shown in this section may not be drawn to scale.

AVAILABLE FINISHES FOR PRODUCTS SHOWN ON THIS PAGE

Metal: **10BE** (Satin Bronze Powder Coated Aluminum) **A** (Mill Finish Aluminum)  
**BSP** (Black Suede Powder Coated Aluminum) **D** (Dark Bronze Anodized) **G** (Gold Anodized)  
**PW** (Painted White) **SN** (Satin Nickel Anodized) **WSP** (White Suede Powder Coated Aluminum)  
 SiliconSeal: **BL** (Black) **C** (Clear) **D** (Dark) **GR** (Gray) **W** (White)

**PEMKO**  
**ASSA ABLOY**

Experience a safer  
 and more open world

800-824-3018 | www.pemko.com  
 Check the web site for the up-to-date catalog

Copyright © 2015-2023, ASSA ABLOY Accessories and Door Controls Group, Inc., an ASSA ABLOY Group company. All rights reserved. Reproduction in whole or in part without the express written permission of ASSA ABLOY Accessories and Door Controls Group, Inc. is prohibited.



## CONTENTS:

H180A Series .....	222
SHS80 Series .....	223
Sliding 200 Series .....	224
Side Wall Track (SWT) System .....	225
Bypass Track Series .....	228
SIM200A Series .....	229
LP200 Series .....	230
Sirocco Series .....	231
H300S-OH Series .....	232
H300S-SW Series .....	233
H440A-OH Series .....	234
H440A-SW Series .....	235
TBS250A-OH Series .....	236
TBS250A-SW Series .....	237
H600S-OH Series .....	238
H600S-SW Series .....	239
H800S-OH Series .....	240
H800S-SW Series .....	241
H1100A-OH Series .....	242
H1100A-SW Series .....	243
Husky Sliding Glass Series .....	244
Pocket Frame Kit .....	245
Folding 100 Series .....	246
Pacer Interior End Fold Series .....	247
Flexirol Interior End Fold Series .....	248
Stainless Steel Sliding Track Hardware System for Wood Doors .....	249
Stainless Steel Sliding Track Hardware System for Glass Doors .....	258
Builders Series Flat Track for Wood Doors .....	260
Designer Series Flat Track for Wood Doors .....	262
SIM 150 - 2 Door .....	264
SIM 150 - 3 Door .....	265
Cascading Door with Sample Configurations .....	266
SDL Privacy Barn Door Lock .....	267
Options and Accessories .....	268
Privacy Seal Sets .....	268
Soft Close Systems .....	269

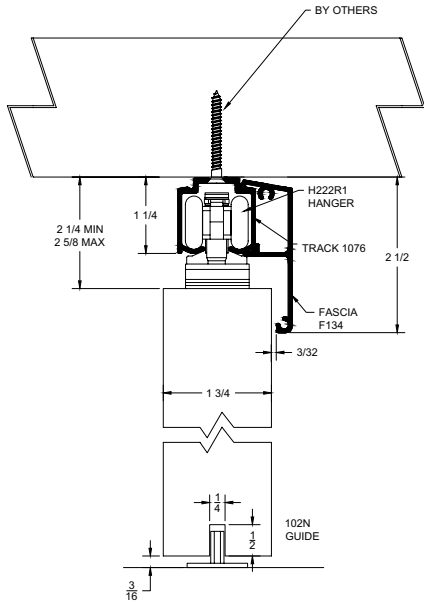
## INDEX:

PRODUCT	PAGE	PRODUCT	PAGE	PRODUCT	PAGE	PRODUCT	PAGE	PRODUCT	PAGE	PRODUCT	PAGE
1A/290 .....	233	94A .....	246	281 .....	244	1075C .....	222	H300S-OH .....	232	PFBS .....	268
1A/290/EC .....	232	94A .....	268	281 .....	246	1076 .....	266	H300S-SW .....	233	PFCDKIT .....	245
1A/301 .....	239	102N .....	222	281 .....	268	2802 .....	228	H440A-OH .....	234	PFFC-8 .....	245
1A/301/EC .....	238	102N .....	232	282HD .....	246	2802 .....	266	H440A-SW .....	235	PFHB-1 .....	245
1A/550 .....	243	102N .....	249	283 .....	246	2802BT .....	228	H600S-OH .....	238	PFHB-2 .....	245
1AX/290 .....	233	102N .....	260	284D .....	244	2802BT .....	268	H600S-SW .....	239	PFHS .....	245
1AX/301 .....	239	102N .....	268	287R1-KIT .....	222	2803 .....	264	H800S-OH .....	240	PFKIT-4 .....	245
1AX/301 .....	241	102WA .....	222	287R1-KIT .....	224	2812 .....	228	H800S-SW .....	241	PFKIT-8 .....	245
1B .....	235	102WA .....	224	287R1-KIT .....	228	2812 .....	266	H1100A-OH .....	242	PIF2/165A .....	247
1BX .....	235	102WA .....	229	289B .....	246	2812 .....	268	H1100A-SW .....	243	PIF4/165A .....	247
3A/290 .....	232	102WA .....	233	289T .....	246	BAR .....	249	HBP200A .....	228	SDL .....	267
3A/301 .....	238	102WA .....	235	290 .....	232	BRACKET2 .....	249	HF2/100 .....	246	SHS80 .....	223
3A/301 .....	240	102WA .....	241	301 .....	238	EPD3 .....	222	HF2/100PACK .....	246	SIM100 .....	229
3AX/290 .....	232	102WA .....	268	403/2 .....	247	EPD3 .....	228	HF2/100PACK .....	268	SIM150 .....	264
3AX/301 .....	238	102WN .....	222	550A .....	242	EPD3 .....	249	HF4/100 .....	246	SIM150-BOLTKIT .....	264
3AX/301 .....	240	102WN .....	229	550A .....	248	EPD3 .....	260	HH3/290 .....	232	SIM150-LOCKKIT .....	264
8-12/SN .....	244	102WN .....	233	556/21 .....	248	EPD3 .....	264	HH3/301 .....	238	SIM200A .....	229
12 .....	258	102WN .....	235	556/57 .....	242	F134 .....	222	K28_SWEP .....	225	SIRLH/SIRRH .....	231
21/550/P .....	248	102WN .....	239	600A .....	234	F134 .....	228	K134EP .....	223	SOFT CLOSE .....	269
21BO/4 .....	247	102WN .....	241	600A .....	247	F134 .....	264	K134EP .....	229	STOP1 .....	252
21B/P .....	247	102WN .....	260	601H .....	223	F134 .....	268	K134EP .....	268	STOP1 .....	259
21N/94 .....	247	106HF/94 .....	246	601H .....	229	F160C .....	234	K1077_SWEP .....	222	STOP1 .....	268
21R/94 .....	248	106N/94 .....	268	601H .....	244	F160ECP .....	234	LH100 .....	230	STOP2 .....	249
32 .....	259	106R/94 .....	222	601H .....	266	F200C .....	235	LP200A .....	230	STOP2 .....	251
57A/N .....	240	106R/94 .....	232	601H .....	268	F200ECP .....	235	PF2x6KIT .....	245	STOP2 .....	257
57A/S .....	238	106R/94 .....	268	601P .....	234	FIF2/275A .....	248	PF134 KIT .....	245	TBS250A-OH .....	236
57B .....	234	111 .....	255	971A .....	222	G60 to G70 .....	258	PF28200A .....	245	TBS250A-SW .....	237
57K/N .....	232	280 .....	222	971A .....	229	GLASSGUIDE .....	258	PFAS .....	245	W60 to W100 .....	249
62 .....	249	280 .....	229	971A .....	232	H180A .....	222	PFAS88 .....	245		
72 .....	252	280 .....	246	971A .....	234	H200 .....	224	PFAS100 .....	245		
82 .....	253	280_SWF .....	225	971A .....	238	H200PACK .....	224	PFBG-4 .....	245		
89/2N .....	232	280_SWT .....	225	971A .....	240	H200PACK .....	268	PFBG-4 .....	268		
92 .....	254	280_SWTKIT .....	225	971A .....	242	H222R1 .....	222	PFBG-8 .....	245		
94A .....	222	281 .....	223	971A .....	246	H222R1 .....	245	PFBG-8 .....	268		
94A .....	232	281 .....	229	971A .....	268	H222R1 .....	266	PFBS .....	245		

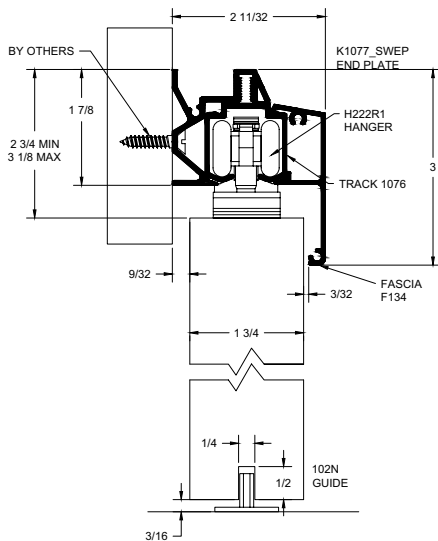
# H180A SERIES

For Sliding Panels up to 200 lbs.

## Overhead Mount



## Side Wall Mount



### Configurations:

- Single
- Bi-parting

### Installations:

- Overhead Mount
- Side Wall Mount

### Features:

- Hanger body is made of nickel plated zinc alloy for durability and long life
- Steel ball bearing wheels coated in nylon for smooth operation
- 200 lb. panel capacity
- Optional side wall bracket reduces the amount of wall space needed to mount the track
- Optional Soft Close
- 5 year warranty
- Meets ADA push force requirements

### H180A Kits Include:

- 1 ea **280C** Clear Anodized Aluminum Track
- 2 ea **H222R1** - Nickel Plated Zinc Alloy Body Zinc Alloy Wheels Coated in Nylon
- 2 ea **287R1-KIT** Rubber Bumper In-Track Stop
- 1 ea **102N** White Nylon Mortise Guide

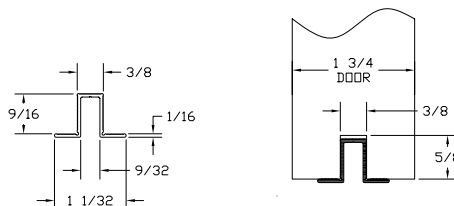
### Standard Kit Sizes

PART NUMBER	MATERIAL	TRACK LENGTH	DOOR WIDTH
H180A/6	Aluminum	72"	36"
H180A/8	Aluminum	96"	48"

### Options:

- Fascia
    - F134C** clear anodized aluminum fascia
    - F134D** dark bronze anodized fascia
  - Side Wall Track Bracket
    - 1075C** clear anodized aluminum bracket- order same length as track
  - Track
    - 280D** dark bronze anodized track
  - End Plate Kit
    - K1077C-SWEP** (use with F134C fascia and 1075C side wall bracket only)
  - Bottom Channel
    - 94A**
  - Roller Guide
    - 106R/94**
  - Threshold
    - 971A**
  - Side Wall Mount Mortise Guides
    - 102WN** (nylon) and **102WA** (steel)
  - Polypropylene Guide Rail
    - EPD3BL** for use with 102N or 102WN
- Soft Close available. See pages 269-271 for more information.

### Alternate Route for EPD3BL

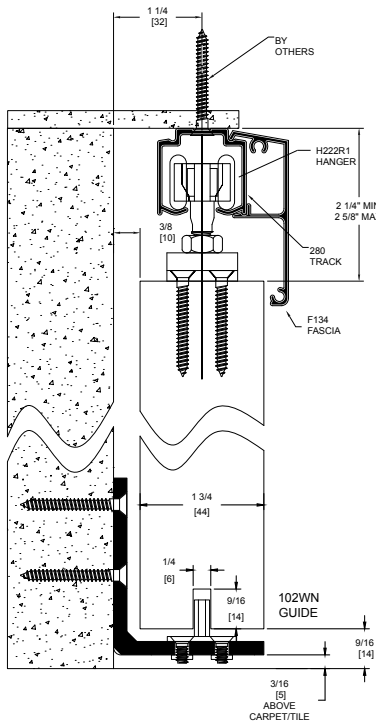


Experience a safer and more open world

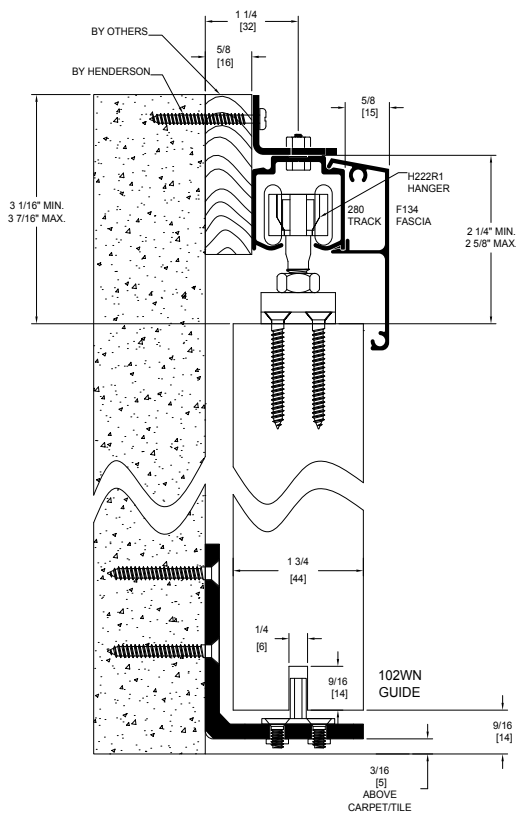
# SHS80 SERIES

For Sliding Panels up to 200 lbs.

## Overhead Mount



## Side Wall Mount



### Configurations:

- Single
- Bi-parting

### Installations:

- Overhead Mount
- Side Wall Mount

### Features:

- Hanger body is made of nickel plated zinc alloy for durability and long life
- Steel ball bearing wheels coated in nylon for smooth operation
- 200 lb. panel capacity
- Optional Soft Close
- 5 year warranty
- Meets ADA push force requirements

### SHS80 Kits Include:

- 1 ea **280C** Clear Anodized Aluminum Track
- 2 ea **H222R1** - Nickel Plated Zinc Alloy Body
- 2 ea **601H** Nylon In-Track Clip Stop
- 1 ea **102WN** White Nylon Mortise Guide on Zinc Plated Steel "L" Metal

Standard Kit Sizes			
PART NUMBER	MATERIAL	TRACK LENGTH	DOOR WIDTH
SHS80/6	Aluminum	72"	36"
SHS80/8	Aluminum	96"	48"

### Options:

Fascia

**F134C** clear anodized aluminum fascia

Side Wall Track Brackets

**F134D** dark bronze anodized fascia

**PC2815** available as 5 pack only, PC2815 pack of 5 281 zinc plated side wall bracket. NOTE: Need one at each end and no more than 2 feet in-between. Fasteners included.

Track

**280D** dark bronze anodized track

End Plate Kit

**K134EP** (use with F134C and 280C only)

Bottom Channel

**94A**

Roller Guide

**106R/94**

Threshold

**971A**

Side Wall Mount

**SHS80/PACK**

Extra Hardware Pack

**102N**

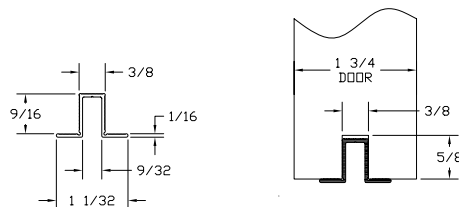
Mortise Floor Guide

**EPD3BL** for use with 102N or 102WN

Polypropylene Guide Rail

Soft Close available. See pages 269-271 for more information.

### Alternate Route for EPD3BL



800-824-3018 | www.pemko.com

Check the web site for the up-to-date catalog

Copyright © 2015-2023, ASSA ABLOY Accessories and Door Controls Group, Inc., an ASSA ABLOY Group company. All rights reserved. Reproduction in whole or in part without the express written permission of ASSA ABLOY Accessories and Door Controls Group, Inc. is prohibited.

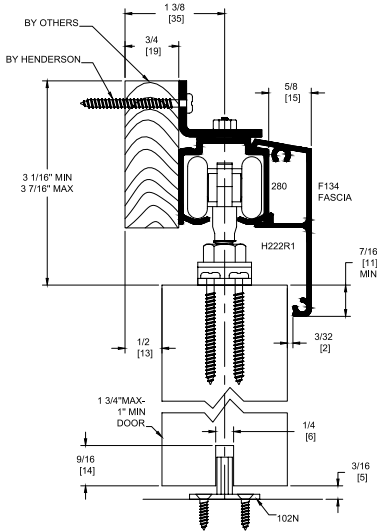
**PEMCO**  
**ASSA ABLOY**

Experience a safer  
and more open world

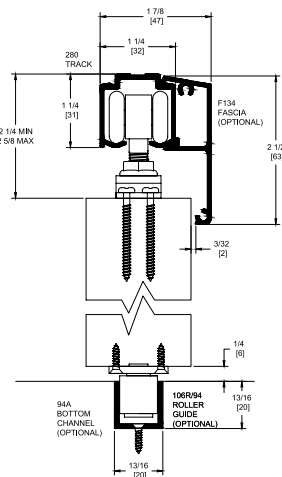
# SLIDING 200 SERIES

**For Sliding Panels up to 200 lbs.**  
 Manufactured by P.C. Henderson

## 280C Side Wall Mounted



## 280C Soffit Mounted with Fascia



### Configurations:

- Single
- Bi-parting

### Installations:

- Overhead Mount
- Side Wall Mount

### Features:

- Hanger body is made of nickel plated zinc alloy for durability and long life
- Steel ball bearing wheels coated in nylon for smooth operation
- 200 lb. panel capacity
- Galvanized steel track 280
- Clear anodized aluminum track 280C
- Optional Soft Close
- 5 year warranty
- Meets ADA push force requirements

### H200A Kits Include:

- 1 ea **280C** Clear Anodized Aluminum Track
- 2 ea **H222R1** Hangers
- 1 ea **102N** Nylon Guide
- 2 ea **TELS-14KIT** Stops
- 1 ea Adjusting Wrench and Mounting Hardware

### H200 Kits Include:

- 1 ea **280** Steel Track
- 2 ea **H222R1** Hangers
- 1 ea **102N** Nylon Guide
- 2 ea **TELS-14KIT** Stops
- 1 ea Adjusting Wrench and Mounting Hardware

### Standard Kit Sizes

PART NUMBER	MATERIAL	TRACK LENGTH	DOOR WIDTH
H200A/4	Aluminum	48"	24"
H200A/6	Aluminum	72"	36"
H200A/7	Aluminum	84"	42"
H200A/8	Aluminum	96"	48"
H200A/10	Aluminum	120"	60"
H200A/12	Aluminum	144"	72"
H200/6	Steel	72"	36"
H200/8	Steel	96"	48"

### Options:

Hardware Kit  
 Mounting Bracket

Track Stop (bumper)  
 Bottom Channel  
 Fascia, Snap-On

Track  
 Roller Guide  
 Side Wall Mortise Guide  
 Threshold  
 End Plate

Polypropylene Guide Rail

Soft Close available. See pages 269-271 for more information.

### H200PACK

**PC2815** available as 5 pack only, **PC2815** pack of 5 281 zinc plated side wall bracket  
 NOTE: Need one at each end and no more than 2 feet in-between. Fasteners included.

### 287R1-KIT

#### 94A

**F134C** clear anodized  
 (280C aluminum track only)

**F134D** dark bronze anodized fascia

**280D** dark bronze anodized

#### 106R/94

**102WA** (steel) and **102WN** (nylon)

#### 971A

**K134EP** (use with F134C and 280C only)

**EPD3BL** for use with 102N or 102WN



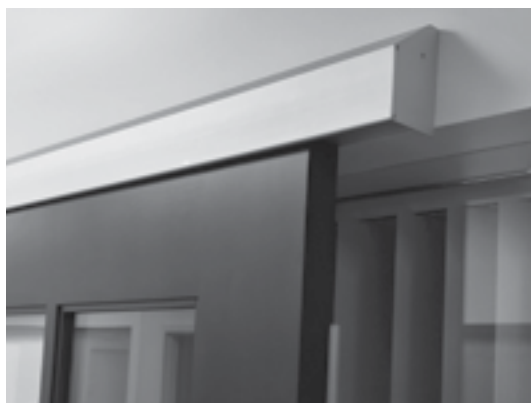
Experience a safer  
 and more open world



# SIDE WALL TRACK (SWT) SYSTEM

## For Sliding Panels up to 200 lbs.

The Pemko Side Wall Track System has a unique mounting bracket that is extruded with the track. An innovative wall mounted bottom guide assembly allows carpet to be replaced without removing the door.



### Configurations:

- Single
- Bi-parting

### Installations:

- Side Wall Mount

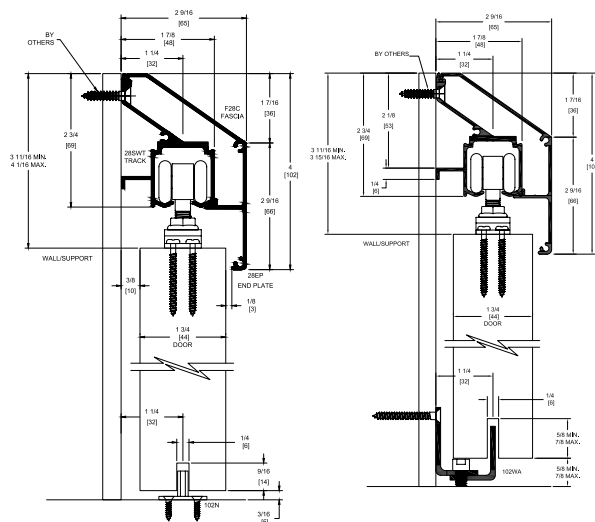
### Features:

- Unique mounting bracket extruded into track
- Supports up to 200 lbs. per door
- Quick, easy attachment
- New construction or retrofit
- Optional Soft Close
- 5 year warranty
- Meets ADA push force requirements

## 280SWT Kits Include:

- 1ea **280\_-SWT** Aluminum Track
- 1ea **280\_-SWF** Aluminum Fascia
- 1ea **K28\_-SWEP** Pair of End Plates
- 2ea **H222R1** Hangers
- 2ea **TELS-14KIT** In Track Stops
- 1ea **102N** White Nylon Mortise Guide
- 1ea **102WA** Wall Mounted Mortise Guide
- 1ea Adjusting Wrench

## SWT Kit Side Wall Mounted



### Standard Kit Sizes

PART NUMBER	TRACK LENGTH	DOOR WIDTH
(Mill Finished Track/Clear Anodized Fascia/End Plates)		
280C-SWTKIT/6	72"	36"
280C-SWTKIT/8	96"	48"
280C-SWTKIT/12*	144"	2 @ 36"
(Dark Bronze Anodized Track/Fascia/End Plates)		
280D-SWTKIT/6	72"	36"
280D-SWTKIT/8	96"	48"
280D-SWTKIT/12*	144"	2 @ 36"

\*NOTE: 280\_-SWTKIT/12 comes with enough hardware for two doors.

### Options:

- Hardware Kit (one door) **H200PACK**
- Roller Guide **106R/94**
- Bottom Channel **94A**
- Nylon Mortise Guide **102WN**
- Stainless Steel Flush Bolt **FB150SS**
- Stainless Steel Flush Pull **503SF**

Soft Close available. See pages 269-271 for more information.

### AVAILABLE FINISHES FOR PRODUCTS SHOWN ON THIS PAGE

A (Mill Finish Aluminum) C (Anodized Aluminum) D (Dark Bronze Anodized)

800-824-3018 | www.pemko.com

Check the web site for the up-to-date catalog

Copyright © 2015-2023, ASSA ABLOY Accessories and Door Controls Group, Inc., an ASSA ABLOY Group company. All rights reserved. Reproduction in whole or in part without the express written permission of ASSA ABLOY Accessories and Door Controls Group, Inc. is prohibited.



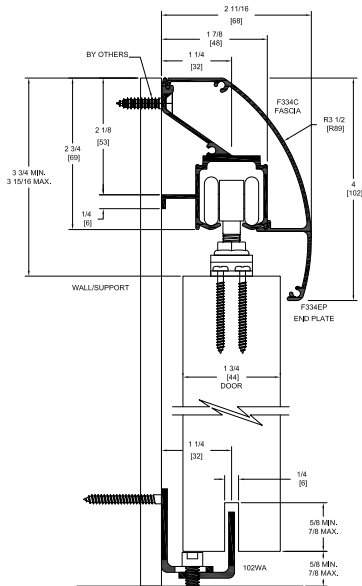
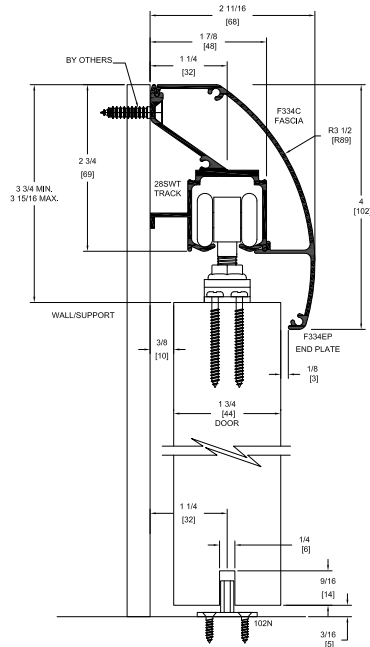
Experience a safer and more open world

# SIDE WALL TRACK SYSTEM WITH RADIUS FASCIA (RF280\_-SWTK)

## For Sliding Panels up to 200 lbs.

Pemko Side Wall Track Systems have a unique mounting bracket that is extruded with the track. An innovative wall mounted bottom guide assembly allows carpet to be replaced without removing the door.

### SWT Kit Side Wall Mounted



Experience a safer and more open world

### Configurations:

- Single
- Bi-parting

### Installations:

- Side Wall Mount

### Features:

- Unique mounting bracket extruded into track
- Supports up to 200 lbs. per door
- Quick, easy attachment
- New construction or retrofit
- Optional Soft Close
- 5 year warranty
- Meets ADA push force requirements

### RF280 SWT Kits Include:

- 1ea **280\_-SWT** Aluminum Track
- 1ea **F334\_** Aluminum Fascia
- 1ea **KF334\_-SWEP** Pair of End Plates
- 2ea **H222R1** Hangers
- 2ea **TELS-14KIT** In Track Stops
- 1ea **102N** White Nylon Mortise Guide
- 1ea **102WA** Wall Mounted Mortise Guide
- 1ea Adjusting Wrench

### Standard Kit Sizes

PART NUMBER	TRACK LENGTH	DOOR WIDTH
(Mill Finished Track/Clear Anodized Fascia/End Plates)		
RF280C-SWTK/6	72"	36"
RF280C-SWTK/8	96"	48"
RF280C-SWTK/12 *	144"	2 @ 36"
(Dark Bronze Anodized Track/Fascia/End Plates)		
RF280D-SWTK/6	72"	36"
RF280D-SWTK/8	96"	48"
RF280D-SWTK/12 *	144"	2 @ 36"

\*NOTE: RF280\_-SWTK/12 comes with enough hardware for two doors.

### Options:

- Hardware Kit (one door) **H200PACK**
- Roller Guide **106R/94**
- Bottom Channel **94A**
- Nylon Mortise Guide **102WN**
- Stainless Steel Flush Bolt **FB150SS**
- Stainless Steel Flush Pull **503SF**

Soft Close available. See pages 269-271 for more information.

AVAILABLE FINISHES FOR PRODUCTS SHOWN ON THIS PAGE

A (Mill Finish Aluminum) C (Clear Anodized) D (Dark Bronze Anodized)

800-824-3018 | www.pemko.com

Check the web site for the up-to-date catalog

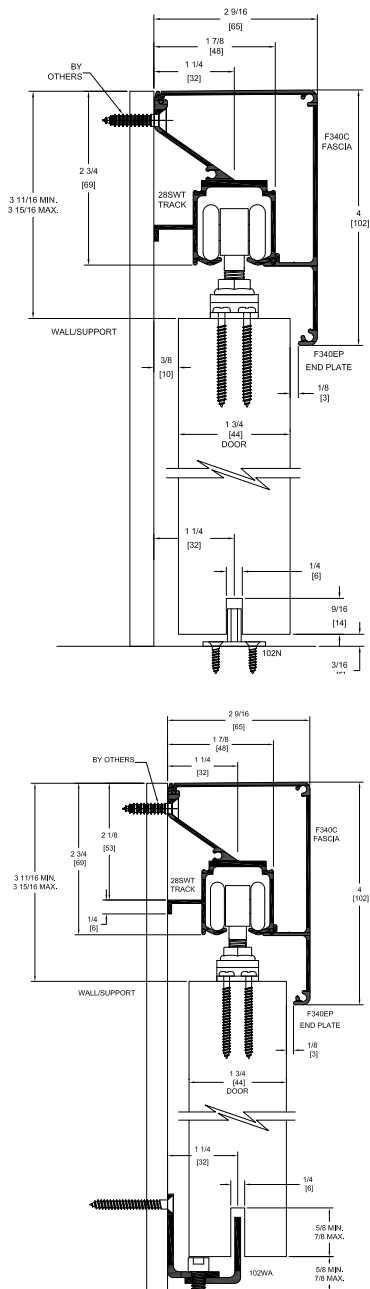
Copyright © 2015-2023, ASSA ABLOY Accessories and Door Controls Group, Inc., an ASSA ABLOY Group company. All rights reserved. Reproduction in whole or in part without the express written permission of ASSA ABLOY Accessories and Door Controls Group, Inc. is prohibited.

# SIDE WALL TRACK SYSTEM WITH SQUARE FASCIA (SF280\_-SWTK)

## For Sliding Panels up to 200 lbs.

Pemko Side Wall Track Systems have a unique mounting bracket that is extruded with the track. An innovative wall mounted bottom guide assembly allows carpet to be replaced without removing the door.

### SWT Kit Side Wall Mounted



### Configurations:

- Single
- Bi-parting

### Installations:

- Side Wall Mount

### Features:

- Unique mounting bracket extruded into track
- Supports up to 200 lbs. per door
- Quick, easy attachment
- New construction or retrofit
- Optional Soft Close
- 5 year warranty
- Meets ADA push force requirements

### SF280SWT Kits Include:

- 1ea **280\_-SWT** Aluminum Track
- 1ea **F340\_** Aluminum Fascia
- 1ea **KF340\_-SWEP** Pair of End Plates
- 2ea **H222R1** Hangers
- 2ea **TELS-14KIT** In Track Stops
- 1ea **102N** White Nylon Mortise Guide
- 1ea **102WA** Wall Mounted Mortise Guide
- 1ea Adjusting Wrench

Standard Kit Sizes		
PART NUMBER	TRACK LENGTH	DOOR WIDTH
(Mill Finished Track/Clear Anodized Fascia/End Plates)		
SF280C-SWTK/6	72"	36"
SF280C-SWTK/8	96"	48"
SF280C-SWTK/12 *	144"	2 @ 36"
(Dark Bronze Anodized Track/Fascia/End Plates)		
SF280D-SWTK/6	72"	36"
SF280D-SWTK/8	96"	48"
SF280D-SWTK/12 *	144"	2 @ 36"

\*NOTE: SF280\_-SWTK/12 comes with enough hardware for two doors.

### Options:

- Hardware Kit (one door) **H200PACK**
- Roller Guide **106R/94**
- Bottom Channel **94A**
- Nylon Mortise Guide **102WN**
- Stainless Steel Flush Bolt **FB150SS**
- Stainless Steel Flush Pull **503SF**

Soft Close available. See pages 269-271 for more information.

AVAILABLE FINISHES FOR PRODUCTS SHOWN ON THIS PAGE  
 A (Mill Finish Aluminum) C (Clear Anodized) D (Dark Bronze Anodized)

800-824-3018 | www.pemko.com  
 Check the web site for the up-to-date catalog

Copyright © 2015-2023, ASSA ABLOY Accessories and Door Controls Group, Inc., an ASSA ABLOY Group company. All rights reserved.  
 Reproduction in whole or in part without the express written permission of ASSA ABLOY Accessories and Door Controls Group, Inc. is prohibited.

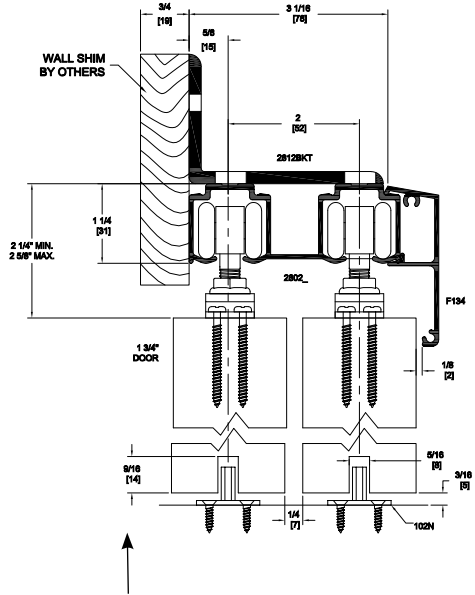


Experience a safer  
and more open world

# BYPASS TRACK SERIES

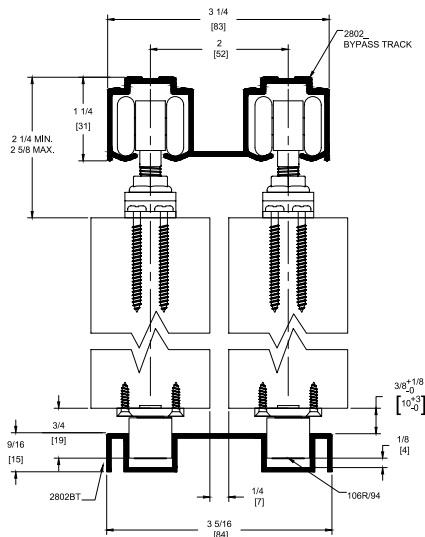
For Bypass Doors up to 200 lbs.

## 1 3/4" Thick Doors Side Wall Mount



NOTE: Route door 9/16" deep by 1/4" wide to receive 102N Guide.

## 1 3/4" Thick Doors Overhead Mount



\* Side Wall mounting: use one (1) 2812KIT at each end of track and 24" on center

### Configurations:

- For Bypass Doors

### Features:

- Fits 1 3/8" and 1 3/4" doors
- Hanger body is made of nickel plated zinc alloy for durability and long life
- Steel ball bearing wheels coated in nylon for smooth operation
- 200 lb. panel capacity
- Load capacity 200 lbs. per door panel (2 hangers)
- Extruded aluminum track
- Optional Soft Close
- 5 year warranty
- Meets ADA push force requirements

### HBP200A Kits Include:

- 1 ea **2802C** Clear Anodized Aluminum Track
- 4 ea **H222R1** Hangers
- 2 ea **102N** White Nylon Mortise Guide
- 4 ea **TELS-14KIT** In Track Stops
- 1 ea Adjusting Wrench and Mounting Hardware

Standard Kit Sizes		
PART NUMBER	TRACK LENGTH	DOOR WIDTH
HBP200A/4	48"	2 @ 26" Min*
HBP200A/5'4	64"	2 @ 34" Min*
HBP200A/6	72"	2 @ 38" Min*
HBP200A/7	84"	2 @ 44" Min*
HBP200A/8	96"	2 @ 50" Min*
HBP200A/10	120"	2 @ 62" Min*
HBP200A/12	144"	2 @ 74" Min*

\*Minimum door overlap is 2".

### Options:

- |                          |   |
|--------------------------|---|
| Hardware Kit             | <b>H200PACK</b>   |
| Mounting Bracket         | <b>2812KIT</b>  |
| Track                    | <b>2802D</b> dark bronze anodized track   |
| Track Stop (bumper)      | <b>287R1-KIT</b>  |
| Bottom Channel           | <b>94A</b>  |
| Fascia, Snap-On          | <b>F134C</b> clear anodized aluminum fascia.<br><b>F134D</b> dark bronze anodized aluminum fascia |
| Roller Guide             | <b>106R/94</b>  |
| Dual Guide Channel       | <b>2802BT</b>   |
| Polypropylene Guide Rail | <b>EPD3BL</b> for use with 102N   |
- Soft Close available. See pages 269-271 for more information.

AVAILABLE FINISHES FOR PRODUCTS SHOWN ON THIS PAGE

A (Mill Finish Aluminum) C (Clear Anodized) D (Dark Bronze Anodized)



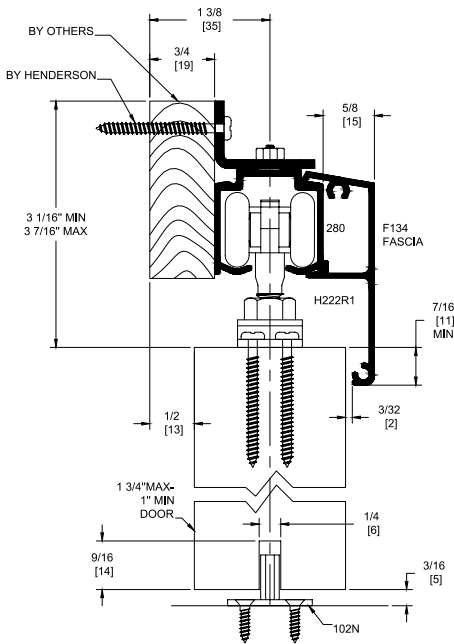
Experience a safer and more open world

# SIM200A SERIES

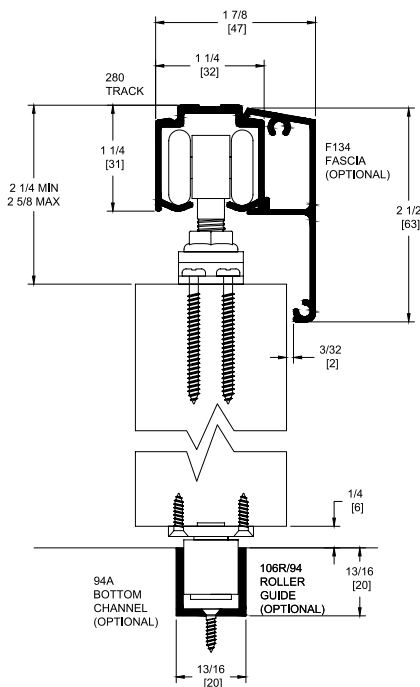
For Sliding Doors up to 48" wide and 200 lbs.

Manufactured by P.C. Henderson

## Side Wall Mount



## Overhead Mount



Simultaneous Action Unit (SIM) allows the simultaneous operation of two doors.

### Configurations:

- Bi-parting

### Installations:

- Overhead Mount
- Side Wall Mount

### Features:

- Allows individual bi-part doors to act as a single operating unit. When one door is opened or closed, the second door operates simultaneously
- 200 lb. panel capacity
- Hanger body is made of nickel plated zinc alloy for durability and long life
- Steel ball bearing wheels coated in nylon for smooth operation
- Clear anodized aluminum track 280C
- 2 year warranty

### SIM200A Kits Include:

- 1 ea **280C** Clear Anodized Aluminum Track
- 4 ea **H222R1** Hangers
- 4 ea **601H** Nylon In-Track Clip Stop
- 2 ea **102N** White Nylon Mortise Guide
- 1 ea **SIM100** Cable and Pulley Kit

### Standard Kit Sizes

PART NUMBER	MATERIAL	TRACK LENGTH	DOOR WIDTH
SIM200A/6	Aluminum	72"	2 @ 18"
SIM200A/8	Aluminum	96"	2 @ 24"
SIM200A/12	Aluminum	2 @ 72"	2 @ 36"
SIM200A/16	Aluminum	2 @ 96"	2 @ 48"

### Options:

Fascia

- F134C** clear anodized aluminum fascia
- F134D** dark bronze anodized fascia
- 280D** dark bronze anodized

Side Wall Track Brackets

- PC2815** available as 5 pack only, **PC2815** pack of 5 281 zinc plated side wall bracket.

NOTE: Need one at each end and no more than 2 feet in-between. Fasteners included.

End Plates

- K134EP** (use with F134C only)

Bottom Channel

- 94A**

Roller Guide

- 106R/94**

Threshold

- 971A**

Side Wall Mortise Guides

- 102WN** (nylon) and **102WA** (steel)

Polypropylene Guide Rail

- EPD3BL** for use with 102N or 102WN

800-824-3018 | www.pemko.com

Check the web site for the up-to-date catalog

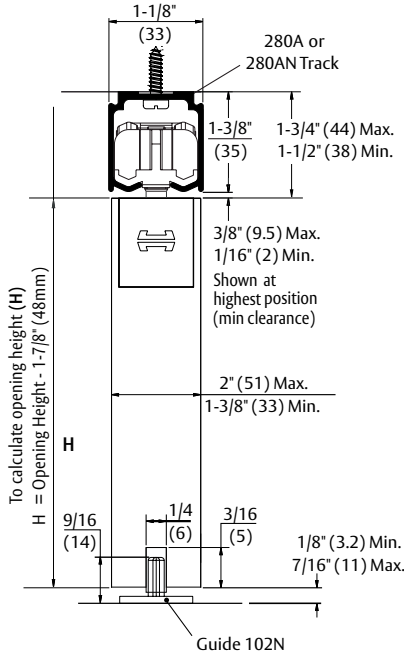
Copyright © 2015-2023, ASSA ABLOY Accessories and Door Controls Group, Inc., an ASSA ABLOY Group company. All rights reserved. Reproduction in whole or in part without the express written permission of ASSA ABLOY Accessories and Door Controls Group, Inc. is prohibited.

**PEMCO**  
**ASSA ABLOY**

Experience a safer  
and more open world

# LP200 SERIES

**For Sliding Panels up to 200 lbs.**  
 Manufactured by P.C. Henderson



Low profile design for use where space is limited.

**Configurations:**

- Single
- Bi-parting

**Installations:**

- Overhead Mount
- Side Wall Mount

**Features:**

- Used to maximize door height
- Designed to give a modern clean finish with all parts concealed. Ideal for applications where minimal clearance between track and door is required
- Easy installation and adjustment
- 200 lb. panel capacity
- Needle bearing nylon wheels for smooth operation
- Clear anodized aluminum track 280C
- 2 year warranty
- Meets ADA push force requirements

**LP200A Kits Include:**

- 1 ea **280C** Clear Anodized Aluminum Track
- 1 ea **LH100** Hardware Kit

**LH100 Hardware Kits Include:**

- 2 ea Low Head Room Units
- 2 ea End Caps
- 2 ea In-Track Clip Stops
- 1 ea Screw Pack
- 2 ea Low Head Room Hangers
- 1 ea **102N** White Nylon Mortise Guide
- 1 ea Small Spanner and 4mm Allen Key

Standard Kit Sizes			
PART NUMBER	MATERIAL	TRACK LENGTH	DOOR WIDTH
LP200A/6	Aluminum	72"	36"
LP200A/8	Aluminum	96"	48"
LP200A/10	Aluminum	120"	60"

**Options:**

- Side Wall Track Bracket **PC2815** available as 5 pack only, **PC2815** pack of 5 281 zinc plated side wall bracket  
 NOTE: Need one at each end and no more than 2 feet in-between. Fasteners included.
- Bottom Channel **94A**
- Roller Guide **106R/94**
- Threshold **971A**



Experience a safer and more open world

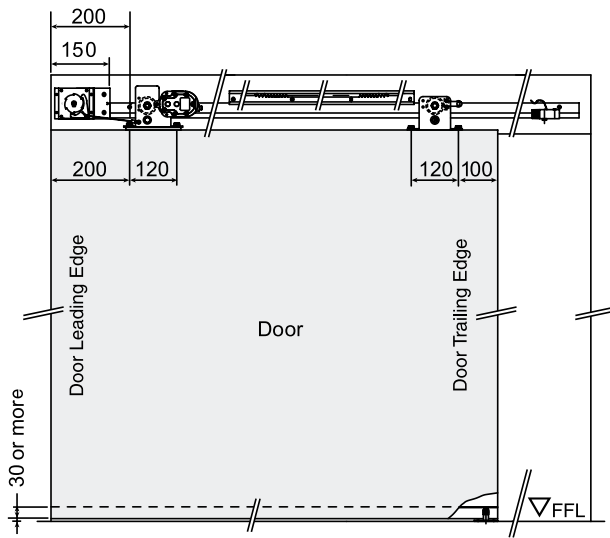
800-824-3018 | www.pemko.com  
 Check the web site for the up-to-date catalog

Copyright © 2015-2023, ASSA ABLOY Accessories and Door Controls Group, Inc., an ASSA ABLOY Group company. All rights reserved. Reproduction in whole or in part without the express written permission of ASSA ABLOY Accessories and Door Controls Group, Inc. is prohibited.

# SIROCCO SERIES

**For Sliding Panels up to 176 lbs.**

Manufactured by P.C. Henderson



Right Hand SIRRH Shown Above and Below

The Sirocco system is a quiet, user friendly, self closing system which brings the door gently to a close.

The integrated hydraulic soft stop brings the door to a safe and cushioned close making it ideal for disabled access systems or public areas. The internal door brake can also be adjusted to allow the user to dictate the speed of opening preventing damage to the door and system.

**Configurations:**

- Single

**Installations:**

- Side Wall Mount

**Features:**

- Self closing system for a single door from 31½" to 47¼" wide and up to 176 lbs.
- Interior applications only
- Comes complete with a hydraulically controlled soft close feature
- Adjustable closing speed
- Door brake to reduce opening speed to prevent damage to the door and system
- Optional hold open unit giving adjustable time delay before self closing
- Operational between temperature ranges of 50 to 104 degrees Fahrenheit
- 2 year warranty
- Meets ADA push force requirements

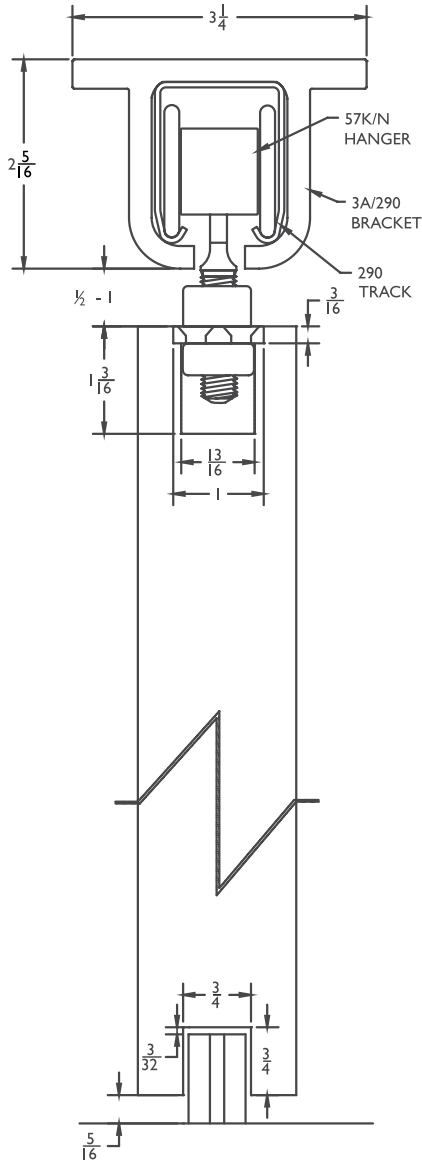
**Sirocco Series Kits Include:**

- 1 ea Track 86.61" long
- 1 ea Leading hanger
- 1 ea Trailing hanger
- 1 ea Hydraulic Control Unit
- 1 ea Closing brake rack
- 1 ea Opening brake rack
- 1 ea Power spring mounting bracket
- 7 ea Height adjustment plates
- 1 ea Power spring unit
- 1 ea Guide roller
- 1 ea Opening door stop
- 1 ea Door stop roller
- 1 ea Closing door stop
- 2 ea Wooden door plate (and all required screws and bolts)

Standard Kits	
PART NUMBER	DESCRIPTION
SIRRH	Right Hand Opening Kit
SIRLH	Left Hand Opening Kit

## H300S-OH SERIES

**For Sliding Panels up to 300 lbs.**  
 Manufactured by P.C. Henderson



### Configurations:

- Single
- Bi-parting

### Installations:

- Overhead Mount

### Features:

- Overhead mount system
- Nylon wheels for smooth operation
- 300 lb. panel capacity
- Galvanized steel track 290
- 2 year warranty

### H300S-OH Kits Include:

- 1 ea **290** Galvanized Steel Track
- **3A/290** Aluminum Alloy Overhead Mount Track Brackets (One at each end and no more than 3 feet in between)
- 2 ea **1A/290/EC** Aluminum Alloy End Caps
- 2 ea **57K/N** White Nylon Body and Wheels, Zinc Coated Steel Pendant Bolt Hangers
- 2 ea **HH3/290** Galvanized Steel In-Track Stop
- 1 ea **89/2N** Gray Nylon Mortise Guide

### Standard Kit Sizes

PART NUMBER	MATERIAL	TRACK LENGTH	DOOR WIDTH
H300S-OH/6	Steel	72"	36"
H300S-OH/8	Steel	96"	48"
H300S-OH/10	Steel	120"	60"
H300S-OH/12	Steel	144"	72"

### Options:

- Bottom Channel **94A**
- Roller Guide **106R/94**
- Threshold **971A**
- Joining Bracket **3AX/290**
- Mortise Guides **102N**
- Stainless Steel Flush Bolt **FB150SS**
- Stainless Steel Flush Pull **503SF**

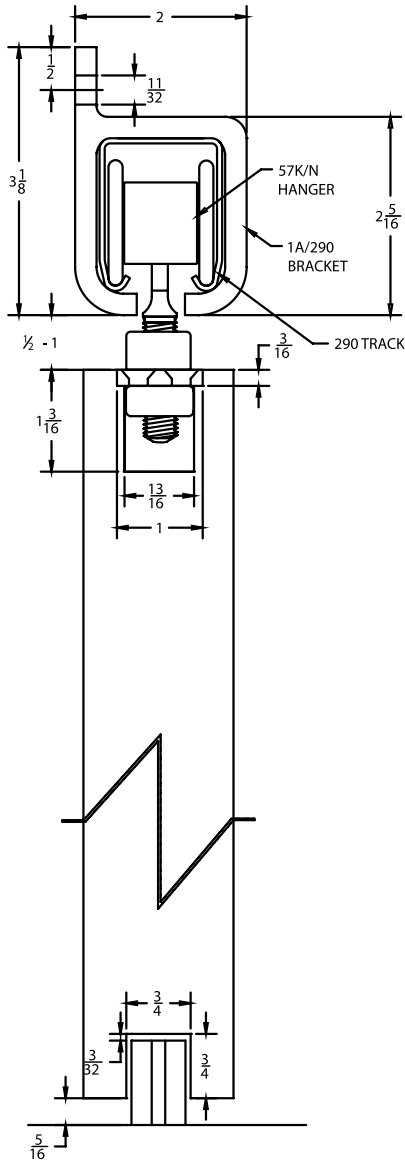


Experience a safer  
and more open world



# H300S-SW SERIES

**For Sliding Panels up to 300 lbs.**  
Manufactured by P.C. Henderson



## Configurations:

- Single
- Bi-parting

## Installations:

- Side Wall Mount

## Features:

- Side wall mount system
- Nylon wheels for smooth operation
- 300 lb. panel capacity
- Galvanized steel track 290
- 2 year warranty

## H300S-SW Kits Include:

- 1 ea **290** Galvanized Steel Track
- **1A/290** Side Wall Mount Track Brackets (One at each end and no more than three feet in between)
- 2 ea **1A/290/EC** Aluminum Alloy End Caps
- 2 ea **57K/N** White Nylon Body and Wheels, Zinc Coated Steel Pendant Bolt Hangers
- 2 ea **HH3/290** Galvanized Steel In-Track Stops
- 1 ea **89/2N** Gray Nylon Mortise Guide

### Standard Kit Sizes

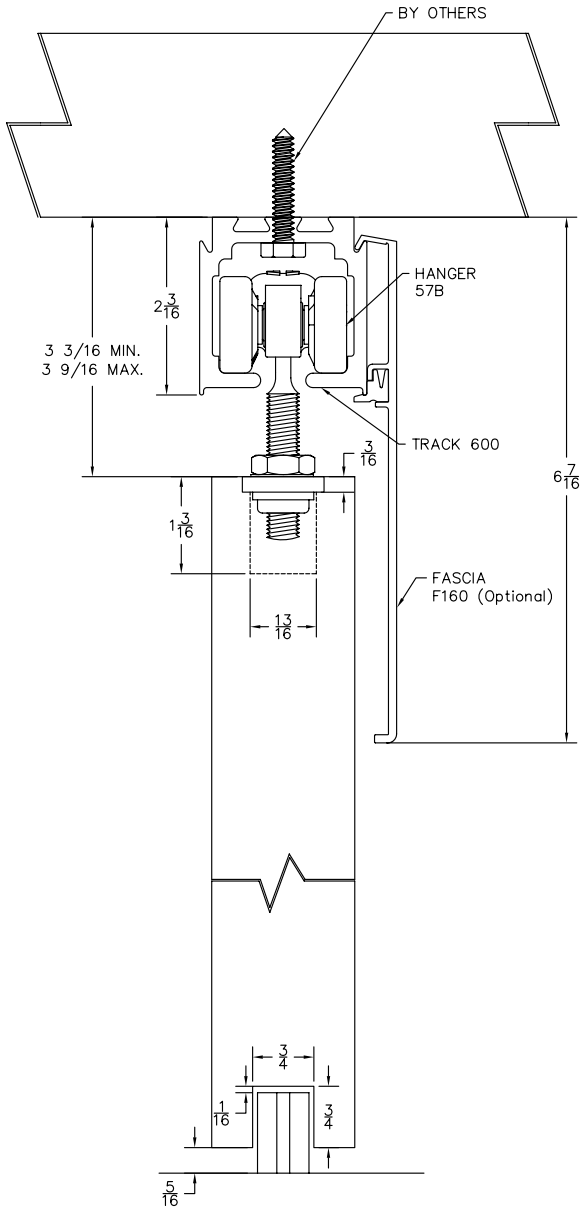
PART NUMBER	MATERIAL	TRACK LENGTH	DOOR WIDTH
H300S-SW/6	Steel	72"	36"
H300S-SW/8	Steel	96"	48"
H300S-SW/10	Steel	120"	60"
H300S-SW/12	Steel	144"	72"

## Options:

- Bottom Channel **94A**
- Roller Guide **106R/94**
- Mortise Guides **102N**
- Side Wall Mortise Guides **102WN** (nylon) and **102WA** (steel)
- Joining Bracket **1AX/290**
- Stainless Steel Flush Bolt **FB150SS**
- Stainless Steel Flush Pull **503SF**

## H440A-OH SERIES

For Sliding Panels up to 440 lbs.  
Manufactured by P.C. Henderson



### Configurations:

- Single
- Bi-parting

### Installations:

- Overhead Mount

### Features:

- Overhead mount system
- Nylon body and steel ball bearing nylon wheels for smooth operation
- 440 lb. panel capacity
- Mill finished aluminum track 600A
- 2 year warranty
- Meets ADA push force requirements

### H440A-OH Kits Include:

- 1 ea **600A** Mill Finished Aluminum Track
- 2 ea **57B** Hangers: Gray Nylon Body, Zinc Coated Steel Pendant Bolt, Steel Ball Bearing Nylon Wheels
- 2 ea **601P** Nylon In-Track Clip Stop
- 1 ea **89/2N** Gray Nylon Mortise Guide

### Standard Kit Sizes

PART NUMBER	MATERIAL	TRACK LENGTH	DOOR WIDTH
H440A-OH/6	Aluminum	72"	36"
H440A-OH/8	Aluminum	96"	48"
H440A-OH/10	Aluminum	120"	60"
H440A-OH/12	Aluminum	144"	72"
H440A-OH/16	Aluminum	192"	96"

### Options:

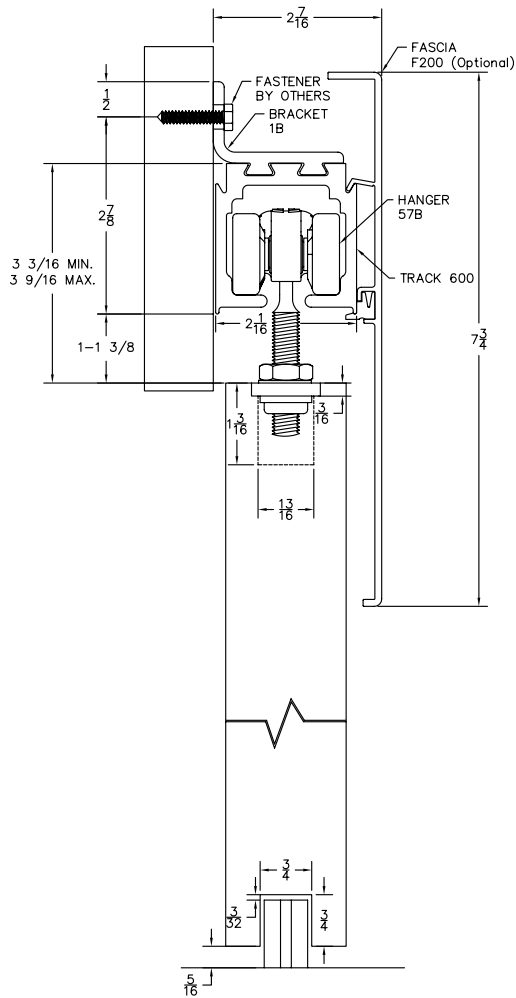
- Fascia **F160C**
- Bottom Channel **94A**
- Roller Guide **106R/94**
- Threshold **971A**
- Mortise Guides **102N**
- End Plate Kit **F160ECP** (used with **F160C** fascia and **600A** track only)
- Stainless Steel Flush Bolt **FB150SS**
- Stainless Steel Flush Pull **503SF**

**PEMKO**  
**ASSA ABLOY**

Experience a safer  
and more open world

# H440A-SW Series

For Sliding Panels up to 440 lbs.  
Manufactured by P.C. Henderson



## Configurations:

- Single
- Bi-parting

## Installations:

- Side Wall Mount

## Features:

- Side wall mount system
- Nylon body and steel ball bearing nylon wheels for smooth operation
- 440 lb. panel capacity
- Mill finished aluminum track 600A
- 2 year warranty
- Meets ADA push force requirements

## H440A-SW Kits Include:

- 1 ea **600A** Mill Finished Aluminum Track
- **1B** Side Wall Mount Track Brackets (One at each end and no more than 3 feet in between)
- 2 ea **57B** Hangers: Gray Nylon Body, Zinc Coated Steel Pendant Bolt, Steel Ball Bearing Nylon Wheels
- 2 ea **601P** Nylon In-Track Clip Stop
- 1 ea **89/2N** Gray Nylon Mortise Guide

## Standard Kit Sizes

PART NUMBER	MATERIAL	TRACK LENGTH	DOOR WIDTH
H440A-SW/6	Aluminum	72"	36"
H440A-SW/8	Aluminum	96"	48"
H440A-SW/10	Aluminum	120"	60"
H440A-SW/12	Aluminum	144"	72"
H440A-SW/16	Aluminum	192"	96"

## Options:

- Fascia **F200C**
- Bottom Channel **94A**
- Roller Guide **106R/94**
- Mortise Guides **102N**
- Side Wall Mortise Guides **102WN** (nylon) and **102WA** (steel)
- End Plate Kit **F200ECP** (used with **F200C** fascia and **600A** track only)
- Joining Bracket **1BX**
- Stainless Steel Flush Bolt **FB150SS**
- Stainless Steel Flush Pull **503SF**

800-824-3018 | www.pemko.com

Check the web site for the up-to-date catalog

Copyright © 2015-2023, ASSA ABLOY Accessories and Door Controls Group, Inc., an ASSA ABLOY Group company. All rights reserved. Reproduction in whole or in part without the express written permission of ASSA ABLOY Accessories and Door Controls Group, Inc. is prohibited.

**PEMKO**  
**ASSA ABLOY**

Experience a safer  
and more open world

## TBS250A-OH Series

For Sliding Panels up to 250 lbs.

Manufactured by Pemko Manufacturing

### Configurations:

- Single
- Bi-parting

### Installations:

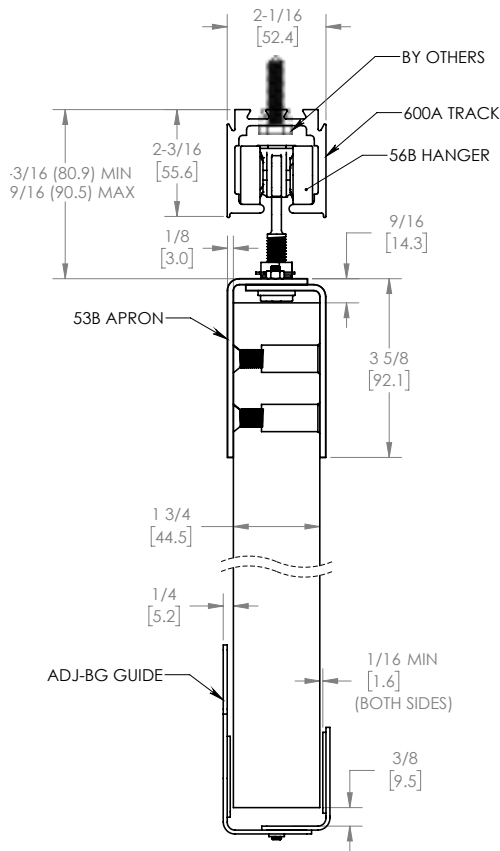
- Overhead Mount

### Features:

- Overhead mount system
- Nylon body and steel ball bearing nylon wheels for smooth operation
- 250 lb. panel capacity
- Mill finished aluminum track 600A
- 2 year warranty
- Meets ADA push force requirements

### TBS250A-OH Kits Include:

- 1 ea **600A** Mill Finished Aluminum Track
- 2 ea **56B** Hangers: Gray Nylon Body, Zinc Coated Steel Pendant Bolt, Steel Ball Bearing Nylon Wheels
- 2 ea **53B/APRON** Mounting Brackets Thru-bolted
- 1 ea **ADJ-BG** Surface Type Guide
- 2 ea **601P** Nylon In-Track Clip Stop



### Standard Kit Sizes

PART NUMBER	MATERIAL	TRACK LENGTH	DOOR WIDTH
TBS250A-OH/6	Aluminum	72"	36"
TBS250A-OH/8	Aluminum	96"	48"
TBS250A-OH/10	Aluminum	120"	60"
TBS250A-OH/12	Aluminum	144"	72"
TBS250A-OH/16	Aluminum	192"	96"

**PEMKO**  
**ASSA ABLOY**

Experience a safer  
and more open world

800-824-3018 | [www.pemko.com](http://www.pemko.com)  
Check the web site for the up-to-date catalog

Copyright © 2015-2023, ASSA ABLOY Accessories and Door Controls Group, Inc., an ASSA ABLOY Group company. All rights reserved. Reproduction in whole or in part without the express written permission of ASSA ABLOY Accessories and Door Controls Group, Inc. is prohibited.

# TBS250A-SW Series

**For Sliding Panels up to 250 lbs.**  
Manufactured by Pemko Manufacturing

## Configurations:

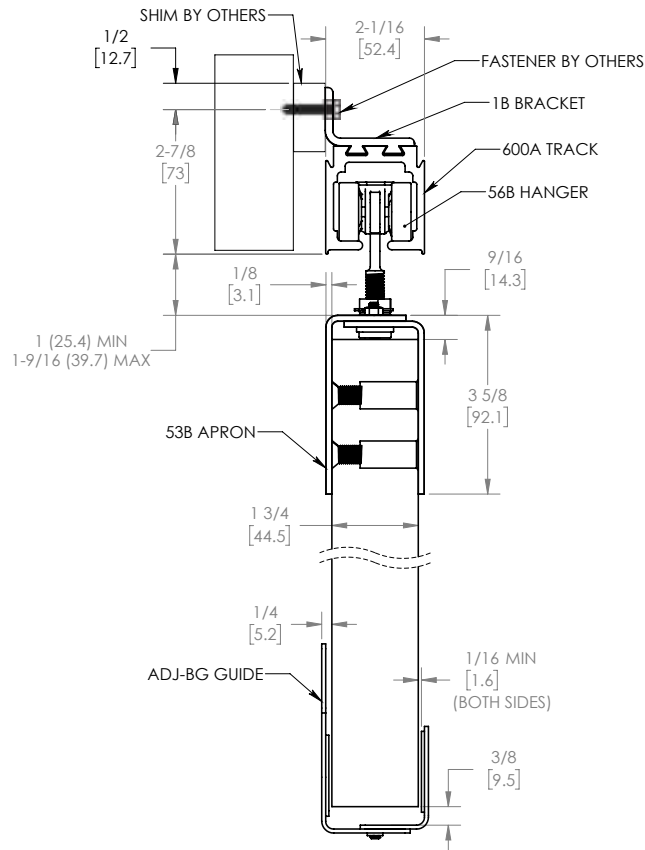
- Single
- Bi-parting

## Installations:

- Side Wall Mount

## Features:

- Side wall mount system
- Nylon body and steel ball bearing nylon wheels for smooth operation
- 250 lb. panel capacity
- Mill finished aluminum track 600A
- 2 year warranty
- Meets ADA push force requirements



## TBS250A-SW Kits Include:

- 1 ea **600A** Mill Finished Aluminum Track
- **1B** Side Wall Mount Track Brackets (One at each end and no more than 3 feet in between)
- 2 ea **56B** Hangers: Gray Nylon Body, Zinc Coated Steel Pendant Bolt, Steel Ball Bearing Nylon Wheels
- 2 ea **53B/APRON** Mounting Brackets Thru-bolted
- 1 ea **ADJ-BG** Surface Type Guide
- 2 ea **601P** Nylon In-Track Clip Stop

Standard Kit Sizes			
PART NUMBER	MATERIAL	TRACK LENGTH	DOOR WIDTH
TBS250A-SW/6	Aluminum	72"	36"
TBS250A-SW/8	Aluminum	96"	48"
TBS250A-SW/10	Aluminum	120"	60"
TBS250A-SW/12	Aluminum	144"	72"
TBS250A-SW/16	Aluminum	192"	96"

800-824-3018 | [www.pemko.com](http://www.pemko.com)  
Check the web site for the up-to-date catalog

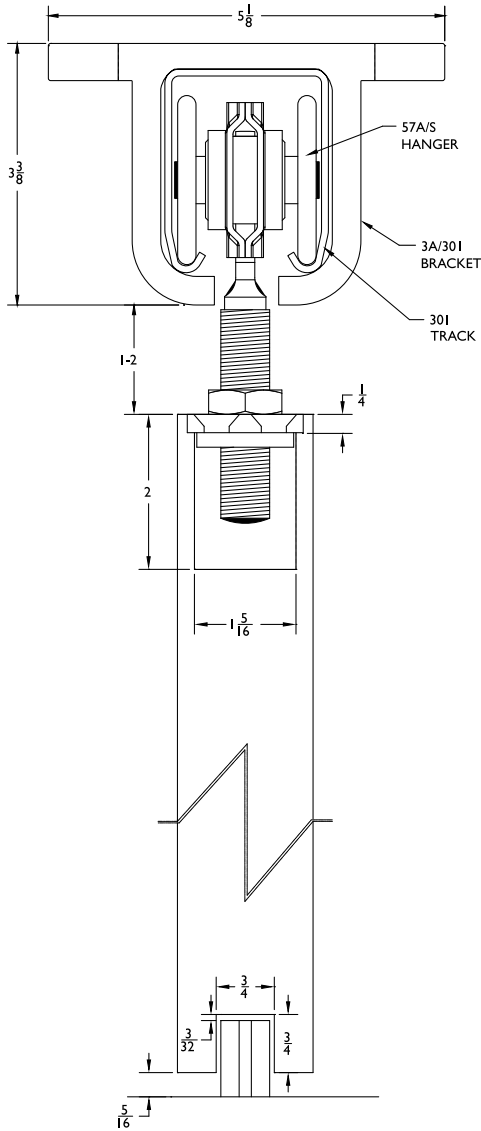
Copyright © 2015-2023, ASSA ABLOY Accessories and Door Controls Group, Inc., an ASSA ABLOY Group company. All rights reserved.  
Reproduction in whole or in part without the express written permission of ASSA ABLOY Accessories and Door Controls Group, Inc. is prohibited.

**PEMKO**  
**ASSA ABLOY**

Experience a safer  
and more open world

## H600S-OH Series

**For Sliding Panels up to 600 lbs.**  
 Manufactured by P.C. Henderson



89/2N

### Configurations:

- Single
- Bi-parting

### Installations:

- Overhead Mount

### Features:

- Overhead mount system
- Heavy duty zinc coated steel
- Ball bearing wheels
- 600 lb. panel capacity
- Galvanized steel track 301
- 2 year warranty

### H600S-OH Kits Include:

- 1 ea **301** Galvanized Steel Track
- **3A/301** Aluminum Alloy Overhead Mount Track Brackets  
 (One at each end and no more than three feet in between)
- 2 ea **1A/301/EC** Aluminum Alloy End Caps
- 2 ea **57A/S** Zinc Coated Steel Body, Wheels, and Pendant Bolt Hangers
- 2 ea **HH3/301** Galvanized Steel In-Track Stops
- 1 ea **89/2N** Gray Nylon Mortise Guide

### Standard Kit Sizes

PART NUMBER	MATERIAL	TRACK LENGTH	DOOR WIDTH
H600S-OH/8	Steel	96"	48"
H600S-OH/10	Steel	120"	60"
H600S-OH/12	Steel	144"	72"

### Options:

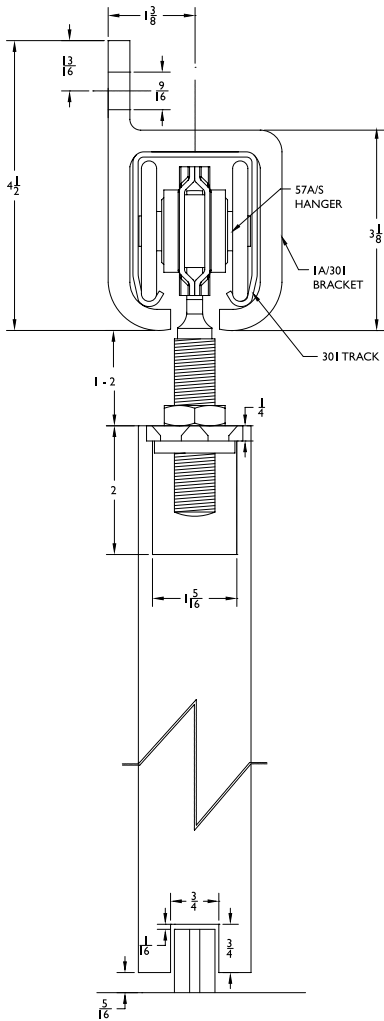
- Bottom Channel **94A**
- Roller Guide **106R/94**
- Mortise Guides **102N**
- Threshold **971A**
- Joining Bracket **3AX/301**
- Stainless Steel Flush Bolt **FB150SS**
- Stainless Steel Flush Pull **503SF**



Experience a safer  
and more open world

# H600S-SW SERIES

**For Sliding Panels up to 600 lbs.**  
Manufactured by P.C. Henderson



89/2N

## Configurations:

- Single
- Bi-parting

## Installations:

- Side Wall Mount

## Features:

- Side wall mount system
- Heavy duty zinc coated steel
- Ball bearing wheels
- 600 lb. panel capacity
- Galvanized steel track 301
- 2 year warranty

## H600S-SW Kits Include:

- 1 ea **301** Galvanized Steel Track
- **1A/301** Side Wall Mount Track Brackets (One at each end and no more than three feet in between)
- 2 ea **1A/301/EC** Aluminum Alloy End Caps
- 2 ea **57A/S** Zinc Coated Steel Body, Wheels, and Pendant Bolt Hangers
- 2 ea **HH3/301** Galvanized Steel In-Track Stops
- 1 ea **89/2N** Gray Nylon Mortise Guide

### Standard Kit Sizes

PART NUMBER	MATERIAL	TRACK LENGTH	DOOR WIDTH
H600S-SW/8	Steel	96"	48"
H600S-SW/12	Steel	144"	72"

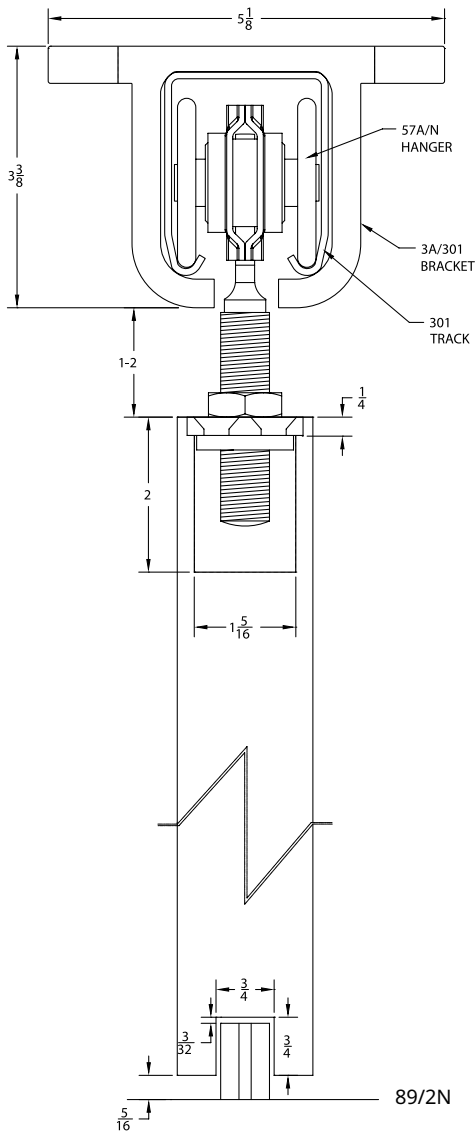
## Options:

- Bottom Channel **94A**
- Roller Guide **106R/94**
- Mortise Guides **102N**
- Side Wall Mortise Guides **102WN**
- Joining Bracket **1AX/301**
- Stainless Steel Flush Bolt **FB150SS**
- Stainless Steel Flush Pull **503SF**

## H800S-OH SERIES

For Sliding Panels up to 800 lbs.

Manufactured by P.C. Henderson



### Configurations:

- Single
- Bi-parting

### Installations:

- Overhead Mount

### Features:

- Overhead mount system
- Heavy duty zinc coated steel body
- Ball bearing nylon wheels for smooth operation
- 800 lb. panel capacity
- Galvanized steel track 301
- 2 year warranty

### H800S-OH Kits Include:

- 1 ea **301** Galvanized Steel Track
- **3A/301** Overhead Mount Track Brackets (One at each end and no more than three feet in between)
- 2 ea **1A/301/EC** Aluminum Alloy End Caps
- 2 ea **57A/N** Zinc Coated Steel Body, Nylon Wheels, and Pendant Bolt Hangers
- 2 ea **HH3/301** Galvanized Steel In-Track Stop
- 1 ea **89/2N** Gray Nylon Mortise Guide

### Standard Kit Sizes

PART NUMBER	MATERIAL	TRACK LENGTH	DOOR WIDTH
H800S-OH/8	Steel	96"	48"
H800S-OH/10	Steel	120"	60"

### Options:

- Bottom Channel **94A**
- Roller Guide **106R/94**
- Mortise Guides **102N**
- Threshold **971A**
- Joining Bracket **3AX/301**
- Stainless Steel Flush Bolt **FB150SS**
- Stainless Steel Flush Pull **503SF**

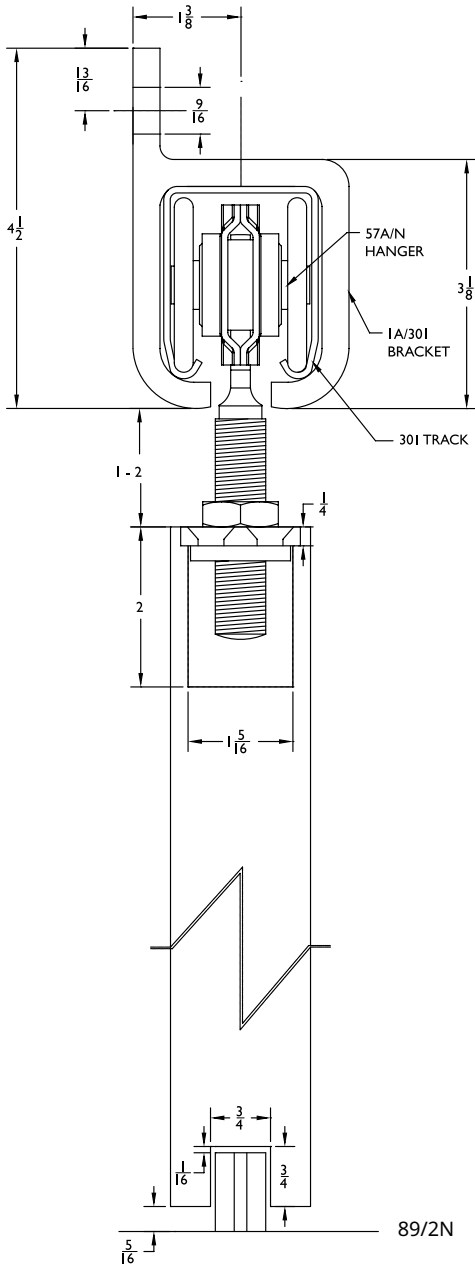


Experience a safer and more open world



# H800S-SW SERIES

**For Sliding Panels up to 800 lbs.**  
 Manufactured by P.C. Henderson



### Configurations:

- Single
- Bi-parting

### Installations:

- Side Wall Mount

### Features:

- Side wall mount system
- Heavy duty zinc coated steel body
- Heavy ball bearing nylon wheels for smooth operation
- 800 lb. panel capacity
- Galvanized steel track 301
- 2 year warranty

### H800S-SW Kits Include:

- 1 ea **301** Galvanized Steel Track
- **1A/301** Aluminum Alloy Side Wall Mount Track Brackets (One at each end and no more than three feet in between)
- 2 ea **1A/301/EC** Aluminum Alloy End Caps
- 2 ea **57A/N** Zinc Coated Steel Body, Nylon Wheels, and Pendant Bolt Hangers
- 2 ea **HH3/301** Galvanized Steel In-Track Stops
- 1 ea **89/2N** Gray Nylon Mortise Guide

Standard Kit Sizes			
PART NUMBER	MATERIAL	TRACK LENGTH	DOOR WIDTH
H800S-SW/6	Steel	72"	36"
H800S-SW/10	Steel	120"	60"
H800S-SW/12	Steel	144"	72"

### Options:

- Bottom Channel **94A**
- Roller Guide **106R/94**
- Mortise Guides **102N**
- Side Wall Mortise Guides **102WN** (nylon) and **102WA** (steel)
- Joining Bracket **1AX/301**
- Stainless Steel Flush Bolt **FB150SS**
- Stainless Steel Flush Pull **503SF**

800-824-3018 | www.pemko.com  
 Check the web site for the up-to-date catalog

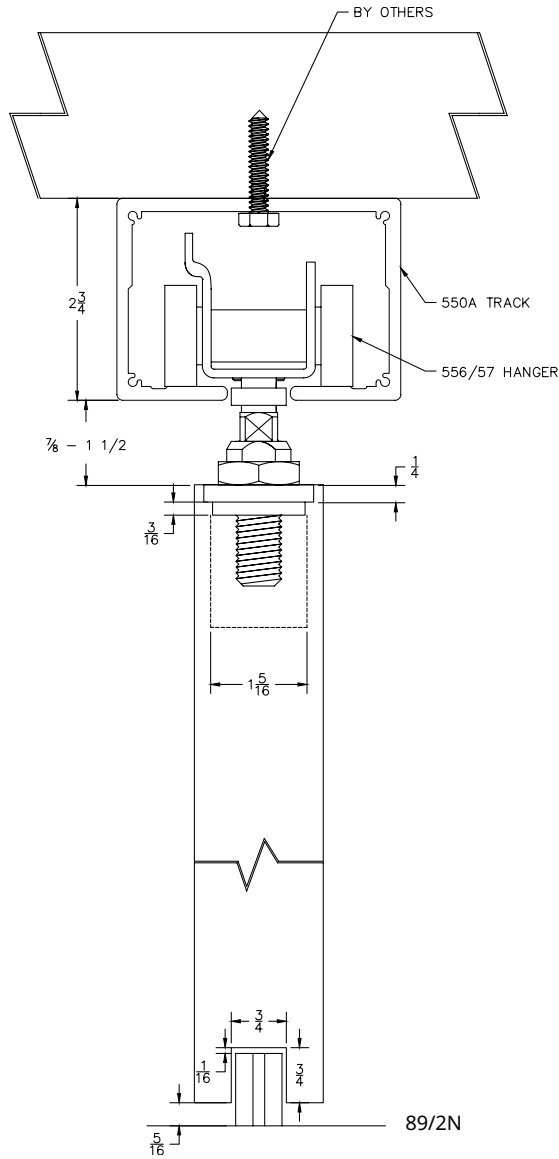
Copyright © 2015-2023, ASSA ABLOY Accessories and Door Controls Group, Inc., an ASSA ABLOY Group company. All rights reserved.  
 Reproduction in whole or in part without the express written permission of ASSA ABLOY Accessories and Door Controls Group, Inc. is prohibited.

**PEMCO**  
**ASSA ABLOY**

Experience a safer  
 and more open world

# H1100A-OH SERIES

**For Sliding Panels up to 1100 lbs.**  
 Manufactured by P.C. Henderson



**Ideally suited for large doors that require high performance and an attractive finish.**

Typical applications are hotels, conference centers, shop-fronts and showrooms.

**Configurations:**

- Single
- Bi-parting

**Installations:**

- Overhead Mount

**Features:**

- For top hung wood and metal doors
- Heavy duty black painted steel body
- Ball bearing steel wheels
- 1100 lb. panel capacity
- Mill finished aluminum track 550A
- 2 year warranty

**H1100A-OH Kits Include:**

- 1 ea **550A** Mill Finished Aluminum Track
- 2 ea **556/57** Painted Black Steel Body - Zinc Coated Steel Wheels and Pendant Bolt Hangers
- 2 ea **HH3/301** Galvanized Steel In-Track Stops
- 1 ea **89/2N** Gray Nylon Mortise Guide

Standard Kit Sizes			
PART NUMBER	MATERIAL	TRACK LENGTH	DOOR WIDTH
H1100A-OH/6	Aluminum	72"	36"
H1100A-OH/8	Aluminum	96"	48"
H1100A-OH/10	Aluminum	120"	60"
H1100A-OH/12	Aluminum	144"	72"
H1100A-OH/16	Aluminum	197"	98"

**Options:**

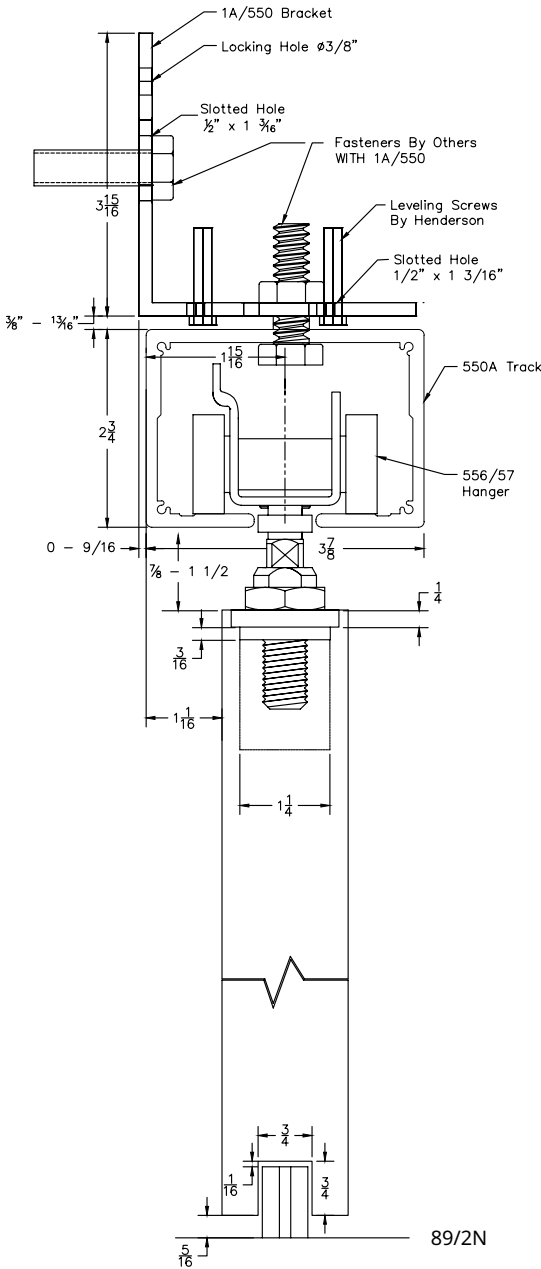
- Bottom Channel **94A**
- Roller Guide **106R/94**
- Threshold **971A**
- Stainless Steel Flush Bolt **FB150SS**
- Stainless Steel Flush Pull **503SF**



Experience a safer and more open world

# H1100A-SW SERIES

**For Sliding Panels up to 1100 lbs.**  
Manufactured by P.C. Henderson



**Ideally suited for large doors that require high performance and an attractive finish.**

Typical applications are hotels, conference centers, shop-fronts and showrooms.

**Configurations:**

- Single
- Bi-parting

**Installations:**

- Side Wall Mount

**Features:**

- Heavy duty black painted steel body ball bearing wheels
- 1100 lb. panel capacity
- Mill finished aluminum track 550A
- 2 year warranty

**H1100A-SW Kits Include:**

- 1 ea **550A** Mill Finished Aluminum Track
- **1A/550** Aluminum Alloy Side Wall Track Bracket  
Fastners not included with 1A/550. (One at each end and no more than three feet in between)
- 2 ea **556/57** Painted Black Steel Body - Zinc Coated Steel Wheels and Pendant Bolt Hangers
- 2 ea **HH3/301** Galvanized Steel In-Track Stops
- 1 ea **89/2N** Gray Nylon Mortise Guide

Standard Kit Sizes			
PART NUMBER	MATERIAL	TRACK LENGTH	DOOR WIDTH
H1100A-SW/6	Aluminum	72"	36"
H1100A-SW/8	Aluminum	96"	48"
H1100A-SW/10	Aluminum	120"	60"
H1100A-SW/12	Aluminum	144"	72"
H1100A-SW/16	Aluminum	197"	98"

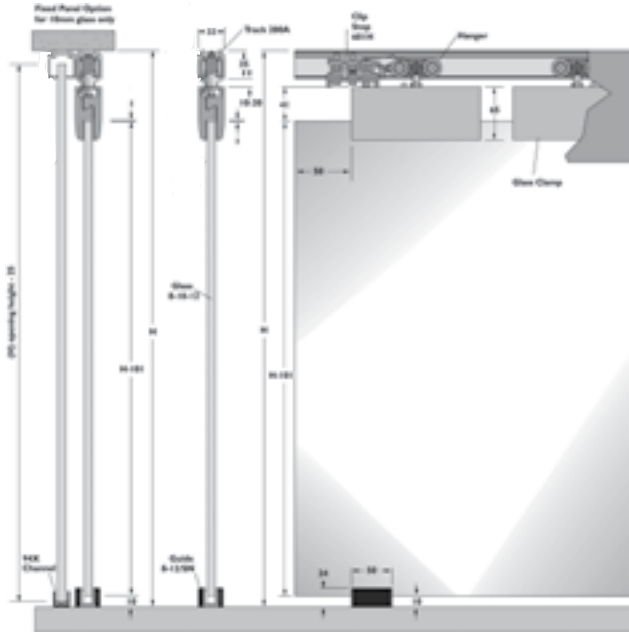
**Options:**

- Bottom Channel **94A**
- Roller Guide **106R/94**
- Stainless Steel Flush Bolt **FB150SS**
- Stainless Steel Flush Pull **503SF**

## HUSKY SLIDING GLASS SERIES

### For Sliding Panels up to 165 lbs.

Manufactured by P.C. Henderson



For lightweight glass applications such as office doors and small glass partitions.

- 2 year warranty

### Capacity:

Max. door weight 165 lbs. (75kg)

Max. door height 7' 10" (2400mm)

Max. door width 4' 1" (1250mm)

Glass thickness 5/16" (8mm) & 3/8" (10mm)

### Door Types:

Glass panels of 5/16" (8mm) or 3/8" (10mm) thickness in tempered or laminated glass.

Meets ADA push force requirements

### 8/HY/75 and 10/HY/75 HUSKY Glass Clamp Kit:

8/HY/75 is for 8mm or 5/16" thick glass

10/HY/75 kit is for 10mm or 3/8" thick glass

2 ea **284D** Hangers

2 ea GLASS Clamps

2 ea **601H** End stops

1 ea **8-12/SN** adjustable guide for 5/16" or 3/8" glass guide

### Standard Track Sizes

PART NUMBER	MATERIAL	STANDARD TRACK SIZES (Track Ordered Separately)
280C72	Aluminum	72"
280C96	Aluminum	96"

### Options:

Face mount bracket: **PC2815** available as 5 pack only, **PC2815** pack of 5 281 zinc plated side wall bracket. NOTE: Need one at each end and no more than 2 feet in-between. Fasteners included.

Guides: **8-12/SN** adjustable guide for 5/16" or 3/8" glass guide

Accessories: **601H** retaining stop mounted within the track

**PEMKO**  
**ASSA ABLOY**

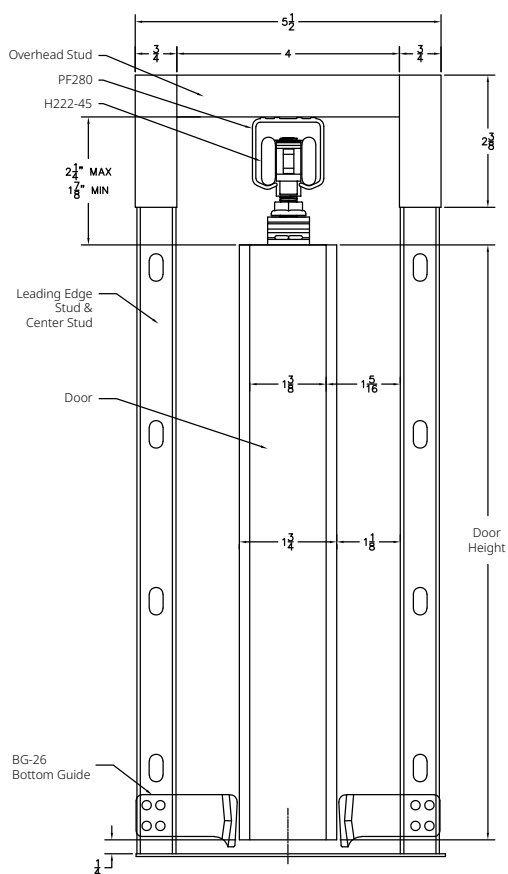
Experience a safer  
and more open world

800-824-3018 | [www.pemko.com](http://www.pemko.com)  
Check the web site for the up-to-date catalog

Copyright © 2015-2023, ASSA ABLOY Accessories and Door Controls Group, Inc., an ASSA ABLOY Group company. All rights reserved. Reproduction in whole or in part without the express written permission of ASSA ABLOY Accessories and Door Controls Group, Inc. is prohibited.

# POCKET FRAME KIT

For Sliding Panels up to 200 lbs.



NOTE: 3/4" plywood can be installed to the studs in the pocket to add strength and rigidity to pocket door walls.

**Rough Frame Opening Dimensions:**  
2 x Door Width + 1" and Door Height + 5"

## Features:

- Heavy duty hardware supports doors up to 200 lbs. each
- Standard kit is for 1 3/8" door. For 1 3/4" door, MUST use PF134KIT (see Options below)
- For standard 3 1/2" studs only. Not for use with 2x6 or SP6 kits
- Chrome plated steel hangers are corrosion resistant and no maintenance is required
- 5 year warranty
- Meets ADA push force requirements

## Pocket Frame Kit Includes:

- 1 ea Header Track Assembly
- 4 ea **PFAS\_** Aluminum Cased Wood Studs
- 2 ea **PFHB-1** and **PFHB-2** Pre-Mounted Header Brackets
- 2 ea **H222R1** Hangers
- 2 ea **PFFC-8** Floor Cleats
- 1 ea **PFBS** Pocket Frame Bumper Stop
- 1 ea **Bottom Guide**
- PFBG-8** Pocket Frame Bottom Guide for 1 3/8" thick doors mounting hardware
- PF2x6KIT** Pocket Frame Bottom Guide for 2x6 and SP6 kit

Standard Kit Sizes			
2x4 Wood or Metal Stud Constructed Walls	2x6 Wood Stud Constructed Walls	2x6 Metal Stud Constructed Walls	Net Door Size (The Kits can be trimmed in field)
PF28200A6080	PF28200A6080-2x6	PF28200A6080-SP6	2'6" x 6'8"
PF28200A7280	PF28200A7280-2x6	PF28200A7280-SP6	3'0" x 6'8"
PF28200A9680	PF28200A9680-2x6	PF28200A9680-SP6	4'0" x 6'8"
PF28200A6084	PF28200A6084-2x6	PF28200A6084-SP6	2'6" x 7'0"
PF28200A7284	PF28200A7284-2x6	PF28200A7284-SP6	3'0" x 7'0"
PF28200A9684	PF28200A9684-2x6	PF28200A9684-SP6	4'0" x 7'0"
PF28200A6096	PF28200A6096-2x6	PF28200A6096-SP6	2'6" x 8'0"
PF28200A7296	PF28200A7296-2x6	PF28200A7296-SP6	3'0" x 8'0"
PF28200A9696	PF28200A9696-2x6	PF28200A9696-SP6	4'0" x 8'0"

## Options:

- PF134 KIT** - Recommended for use with 1 3/4" thick doors in 2x4 constructed wall kits (3 1/2" stud). Not for use with 2x6 or SP6 stud kits.
  - PFAS84** - For doors over 3' wide an extra pair of 84" center studs with floor cleat for 80" tall doors recommended
  - PFAS88** - For doors over 3' wide an extra pair of 88" center studs with floor cleat for 84" tall doors recommended
  - PFAS100** - For doors over 3' wide an extra pair of 100" center studs with floor cleat for 96" tall doors recommended
  - PFCDKIT** - Conversion Kit to achieve a bipart double door frame
  - PFFKIT-4** - Replacement Hardware Kit for Pemko Pocket Frame Kit for 1 3/4" thick doors (Each contains 2-H222-45 Hangers, 1-PFBS Bumper Stop, 1- PFBG-4 Guide, 2 PFHS Header Shims, 2-PFFC-4 Floor Cleats)
  - PFFKIT-8** - Replacement Hardware Kit for Pemko Pocket Frame Kit for 1 3/8" thick doors (Each contains 2-H222-45 Hangers, 1-PFBS Bumper Stop, 1- PFBG-8 Guide, 2-PFFC-8 Floor Cleats)
- Soft Close available. See pages 275-277 for more information.



Experience a safer and more open world

800-824-3018 | www.pemko.com

Check the web site for the up-to-date catalog

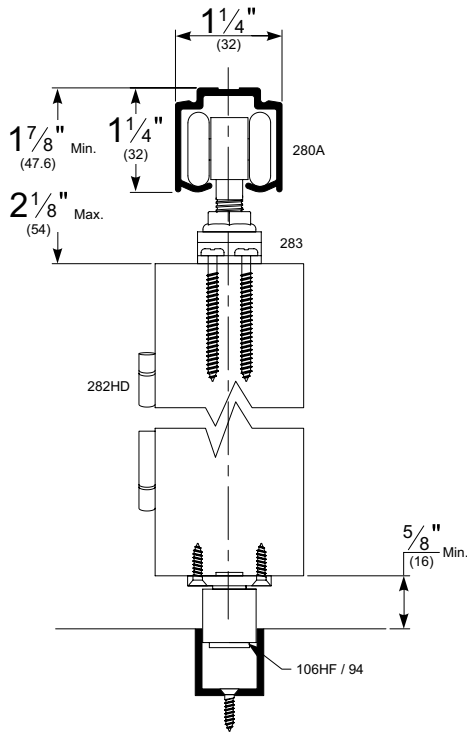
Copyright © 2015-2023, ASSA ABLOY Accessories and Door Controls Group, Inc., an ASSA ABLOY Group company. All rights reserved. Reproduction in whole or in part without the express written permission of ASSA ABLOY Accessories and Door Controls Group, Inc. is prohibited.

# FOLDING 100 SERIES

**For Folding Doors up to 100 lbs.  
For Doors up to 24" Wide x 96" Tall**

Manufactured by P.C. Henderson

## 280C Overhead Mounted



### Features:

- For medium weight folding doors
- Two and four leaf kits are available
- 2 year warranty

### Two Panel:

#### HF2/100A Kits Include:

- 1 ea **280C** Clear Anodized Track
- 1 ea **283** Hanger
- 1 ea **289T** Top Pivot
- 1 ea **289B** Bottom Pivot
- 3 ea **282HD26** Hinges
- 1 ea **106HF/94** Roller Guide
- 1 ea **94A** Aluminum Guide Channel
- 1 ea Adjusting Wrench and Mounting Hardware

### Four Panel:

#### HF4/100A Kits Include:

- 1 ea **280C** Clear Anodized Track
- 2 ea **283** Hangers
- 2 ea **289T** Top Pivots
- 2 ea **289B** Bottom Pivots
- 6 ea **282HD26** Hinges
- 2 ea **106HF/94** Roller Guide
- 1 ea **94A** Aluminum Guide Channel
- 1 ea Adjusting Wrench and Mounting Hardware

### Standard Kit Sizes

PART NUMBER	MATERIAL	# OF PANELS	TRACK LENGTH
HF2/100A/2	Aluminum	2	24"
HF2/100A/2'6	Aluminum	2	30"
HF2/100A/3	Aluminum	2	36"
HF2/100A/4	Aluminum	2	48"
HF4/100A/4	Aluminum	4	48"
HF4/100A/5	Aluminum	4	60"
HF4/100A/6	Aluminum	4	72"
HF4/100A/8	Aluminum	4	96"

### Options:

Mounting Bracket

**PC2815** available as 5 pack only, **PC2815** pack of 5 281 zinc plated side wall bracket.

NOTE: Need one at each end and no more than 2 feet in-between. Fasteners included.

Threshold

**971A**

Track

**280D** dark bronze anodized aluminum

Note: Allow 1/4" clearance at pivot jambs and 1/8" in between hinged doors if hinges are mortised. Allow 3/16" between hinged doors if hinges are surface mounted. Allow 1/8" between doors meeting in the center of the opening on HF4 kits and allow 1/8" between wall and end panel on HF2 kits.

**PEMKO**  
**ASSA ABLOY**

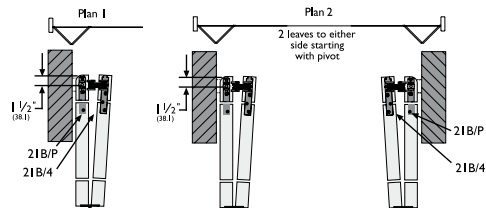
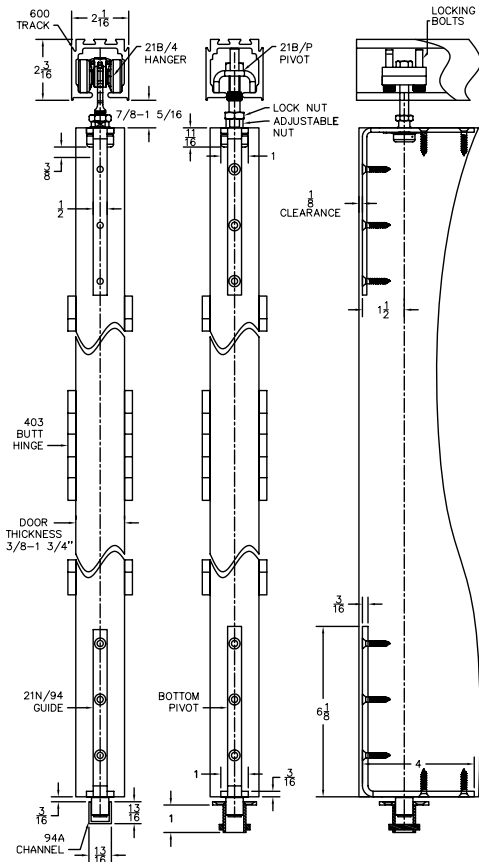
Experience a safer  
and more open world

# PACER INTERIOR END FOLD SERIES

For Folding Doors and Room Dividers up to 165 lbs.

For Doors up to 36" Wide x 106" Tall

Manufactured by P.C. Henderson



## Features:

- For top-hung, medium weight, interior, partition doors
- Ideal in both residential and commercial applications requiring end folding doors
- 2 year warranty

## Two Panel: plan 1

### PIF2/165A Kits Include:

- 1 ea **600A** Mill Finished Aluminum Track
- 1 ea **21B/P** Top and Bottom Pivot Assembly
- 1 ea **21B/4** Nylon Body and Wheels, Zinc Coated Steel Pendant Bolt and Door Bracket Hanger
- 1 ea **21N/94** Nylon Roller Guide on Zinc Coated Steel Door Bracket Bottom Guide
- 4 ea **403/2** Aluminum Alloy Butt Hinges
- 1 ea **94A** Aluminum Guide Channel

## Four Panel: plan 2

### PIF4/165A Kits Include:

- 1 ea **600A** Mill Finished Aluminum Track
- 2 ea **21B/P** Top and Bottom Pivot Assembly
- 2 ea **21B/4** Nylon Body and Wheels, Zinc coated steel Pendant Bolt and Door Bracket Hanger
- 2 ea **21N/94** Nylon Roller Guide on Zinc Coated Steel Door Bracket Bottom Guide
- 8 ea **403/2** Aluminum Alloy Butt Hinges
- 1 ea **94A** Aluminum Guide Channel

Standard Kit Sizes			
PART NUMBER	MATERIAL	# OF PANELS	TRACK LENGTH
PIF2/165A/6	Aluminum	2	72"
PIF4/165A/6	Aluminum	4	72"
PIF4/165A/8	Aluminum	4	96"
PIF4/165A/12	Aluminum	4	2 @ 72"

## Options:

- Threshold **971A**
- Stainless Steel Flush Bolt **FB150SS**
- Stainless Steel Flush Pull **503SF**

NOTE: Allow 3/8" clearance at pivot jambs and 1/8" in between hinged doors if hinges are mortised. Allow 7/16" between hinged doors if hinges are surface mounted. Allow 1/8" between doors meeting in the center of the opening on PIF4 kits and allow 1/8" between wall and end panel on PIF2 kits.

800-824-3018 | www.pemko.com

Check the web site for the up-to-date catalog

Copyright © 2015-2023, ASSA ABLOY Accessories and Door Controls Group, Inc., an ASSA ABLOY Group company. All rights reserved. Reproduction in whole or in part without the express written permission of ASSA ABLOY Accessories and Door Controls Group, Inc. is prohibited.

**PEMCO**  
**ASSA ABLOY**

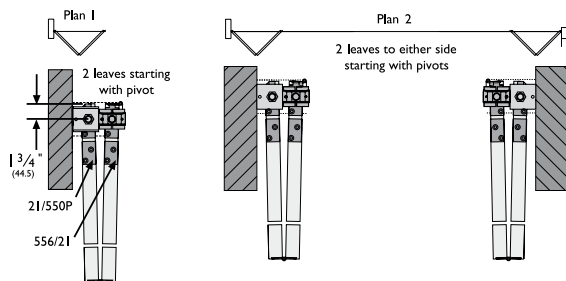
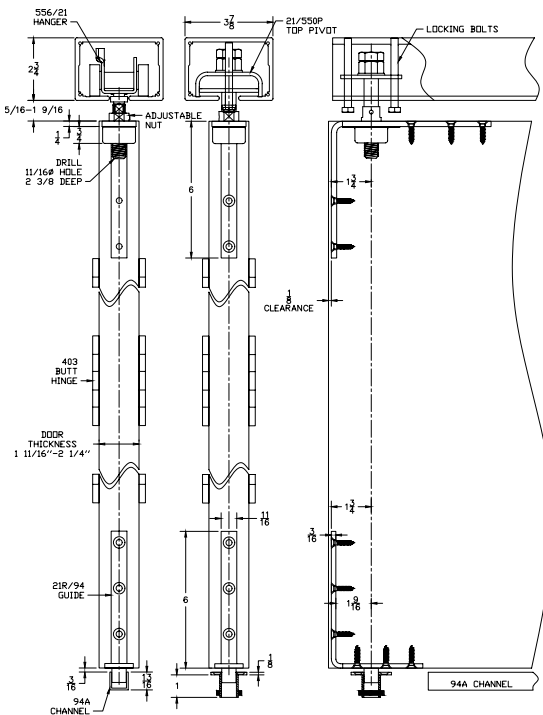
Experience a safer  
and more open world

# FLEXIROL INTERIOR END FOLD SERIES

For Folding Doors and Room Dividers up to 275 lbs.

For Doors up to 48" Wide x 177" Tall

Manufactured by P.C. Henderson



### Features:

- For top-hung, heavy weight, interior, partition doors.
- Specifically designed for commercial applications requiring end folding doors
- 2 year warranty.

### Two Panel: plan 1

#### FIF2/275A Kits Include:

- 1 ea **550A** Mill Finished Aluminum Track
- 1 ea **21/550/P** Top and Bottom Pivot Assembly
- 1 ea **556/21** Zinc Coated Steel Wheels, Pendant Bolt, Body, and Door Bracket
- 1 ea **21R/94** Bottom Guide
- 4 ea **403/2** Aluminum Alloy Butt Hinges
- 1 ea **94A** Aluminum Guide Channel

### Four Panel: plan 2

#### FIF4/275A Kits Include:

- 1 ea **550A** Mill Finished Aluminum Track
- 2 ea **21/550/P** Top and Bottom Pivot Assembly
- 2 ea **556/21** Zinc Coated Steel Wheels, Pendant Bolt, Body, and Door Bracket
- 2 ea **21R/94** Bottom Guide
- 8 ea **403/2** Aluminum Alloy Butt Hinges
- 1 ea **94A** Aluminum Guide Channel

Standard Kit Sizes			
Part Number	Material	# of Panels	Track Length
FIF2/275A/8	Aluminum	2	96"
FIF4/275A/8	Aluminum	4	96"
FIF4/275A/12	Aluminum	4	2 @ 72"
FIF4/275A/16	Aluminum	4	2 @ 96"

### Options:

- Threshold **971A**
- Stainless Steel Flush Bolt **FB150SS**
- Stainless Steel Flush Pull **503SF**

NOTE: Allow  $\frac{3}{8}$ " clearance at pivot jambs and  $\frac{1}{8}$ " in between hinged doors if hinges are mortised. Allow  $\frac{7}{16}$ " between hinged doors if hinges are surface mounted. Allow  $\frac{1}{8}$ " between doors meeting in the center of the opening on FIF4 kits and allow  $\frac{1}{8}$ " between wall and end panel on FIF2 kits.



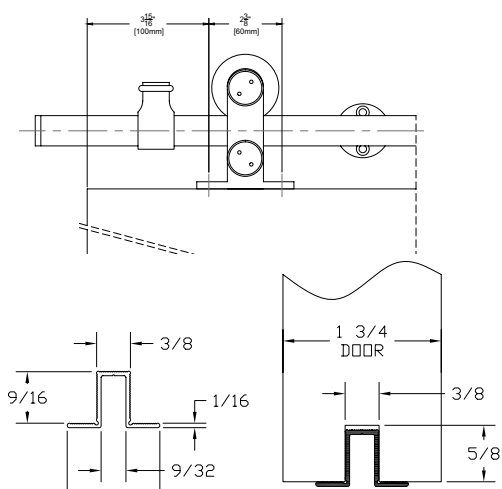
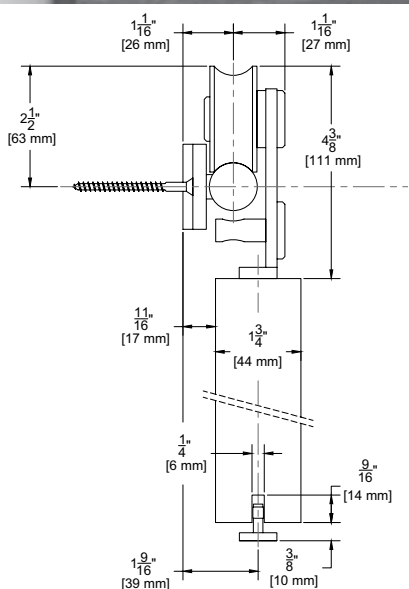
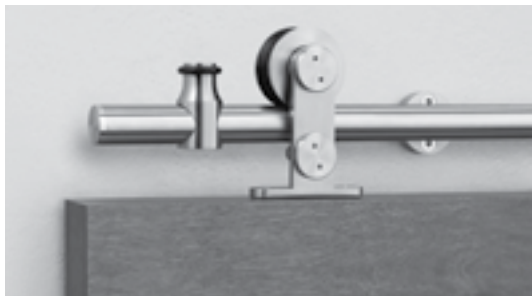
Experience a safer and more open world



# STAINLESS STEEL SLIDING TRACK HARDWARE SYSTEM

## W60 SERIES FOR WOOD DOORS

For Sliding Panels up to 176 lbs.



NOTE: Alternate route dimension when using optional EPD3BL

### Configurations:

- Single
- Bi-parting

### Installations:

- Side Wall Mount (only)

### Features:

- Made of 304 stainless steel
- Nylon coated stainless steel wheel for smooth operation
- 176 lb. panel capacity
- 5 year warranty
- Meets ADA push force requirements

### Finishes:

- Brushed Stainless Steel (W60)
- Black Powder Coated Stainless Steel (W60D)
- Polished Stainless Steel (W60P)

### W60 Kits Include:

- 1 ea **BAR/** Stainless Steel Track
- **BRACKET2** Stainless Steel Wall Brackets
- 2 ea **62** Stainless Steel Hangers
- 1 ea **102SS-KIT** Stainless Steel Guide
- 2 ea **STOP2** Stainless Steel Stops Mounting Hardware

NOTE: If ordering individual parts in the optional Black Powder Coat, Polished finishes be sure to include a prefix "D" for Black Powder Coat, "P" for Polished Stainless

Standard Kit Sizes			
PART NUMBER	MATERIAL	TRACK LENGTH	DOOR WIDTH
W60/6	304 Stainless Steel	78 <sup>3</sup> / <sub>4</sub> "	36"
W60/8	304 Stainless Steel	98 <sup>7</sup> / <sub>16</sub> "	48"
W60D/6	Black Powder Coated Stainless Steel	78 <sup>3</sup> / <sub>4</sub> "	36"
W60D/8	Black Powder Coated Stainless Steel	98 <sup>7</sup> / <sub>16</sub> "	48"
W60P/6	304 Polished Stainless Steel	78 <sup>3</sup> / <sub>4</sub> "	36"
W60P/8	304 Polished Stainless Steel	98 <sup>7</sup> / <sub>16</sub> "	48"

Custom lengths are available. Please contact the factory to order.

### Options:

- Hardware Pack (One Door)
- Mortise Guides
- Polypropylene Guide Rail
- 5/8" Spacer

### W60\_H/PACK

#### 102N

**EPD3BL** For Use With 102N

**BLD-SPACER-58** Pack of 5 5/8" Spacer Recommended for use with 5/8" Gypsum Board When Mounting Track Directly to Gypsum Board

800-824-3018 | www.pemko.com

Check the web site for the up-to-date catalog

Copyright © 2015-2023, ASSA ABLOY Accessories and Door Controls Group, Inc., an ASSA ABLOY Group company. All rights reserved. Reproduction in whole or in part without the express written permission of ASSA ABLOY Accessories and Door Controls Group, Inc. is prohibited.

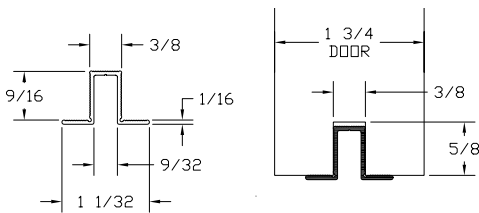
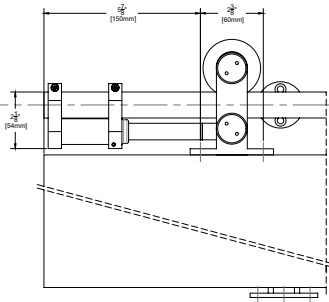
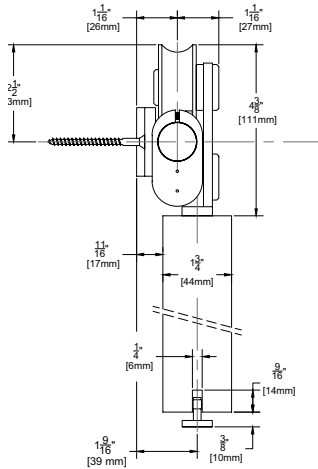
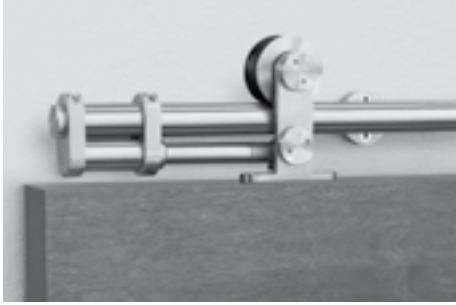
**PEMKO**  
**ASSA ABLOY**

Experience a safer  
and more open world

# STAINLESS STEEL SLIDING TRACK HARDWARE SYSTEM WITH CUSHION STOP

## CS-W60 SERIES FOR WOOD DOORS

For Sliding Panels up to 176 lbs.



NOTE: Alternate route dimension when using optional EPD3BL



Experience a safer and more open world

### Configurations:

- Single

### Installations:

- Side Wall Mount (only)

### Features:

- Made of 304 stainless steel
- Prevents door racking and bounce back
- Extends life of upper hardware
- Nylon coated stainless steel wheel for smooth operation
- 176 lb. panel capacity
- 5 year warranty
- Meets ADA push force requirements

### Finishes:

- Brushed Stainless Steel
- Black Powder Coated Stainless Steel

### CS-W60 Kits Include:

- 1 ea **BAR/** Stainless Steel Track
- **BRACKET2** Stainless Steel Wall Brackets
- 2 ea **62** Stainless Steel Hangers
- 1 ea **102SS-KIT** Stainless Steel Guide
- 1 pr **CS-001SS** Stainless Steel Cushion Stops

NOTE: If ordering individual parts in the optional Black Powder Coated Stainless Steel or Polished finishes, be sure to include a suffix "D" for Black Powder Coated Stainless Steel or "P" for Polished Stainless

Standard Kit Sizes			
PART NUMBER	MATERIAL	TRACK LENGTH	DOOR WIDTH
CS-W60/6	304 Stainless Steel	78 <sup>3</sup> / <sub>4</sub> "	36"
CS-W60/8	304 Stainless Steel	98 <sup>7</sup> / <sub>16</sub> "	48"
CS-W60D/6	304 Black Powder Coated Stainless Steel	78 <sup>3</sup> / <sub>4</sub> "	36"
CS-W60D/8	304 Black Powder Coated Stainless Steel	98 <sup>7</sup> / <sub>16</sub> "	48"

Custom lengths are available. Please contact the factory to order.

### Options: See page 278

- Mortise Guides
- Polypropylene Guide Rail
- Cushion Stops

### 102N

### EPD3BL For Use With 102SS-KIT

**CS-001SS** (sold as pair) For use with existing openings that have W60 hardware installed

**BLD-SPACER-58** Pack of 5 5/8" Spacer Recommended for use with 5/8" Gypsum Board When Mounting Track Directly to Gypsum Board

5/8" Spacer



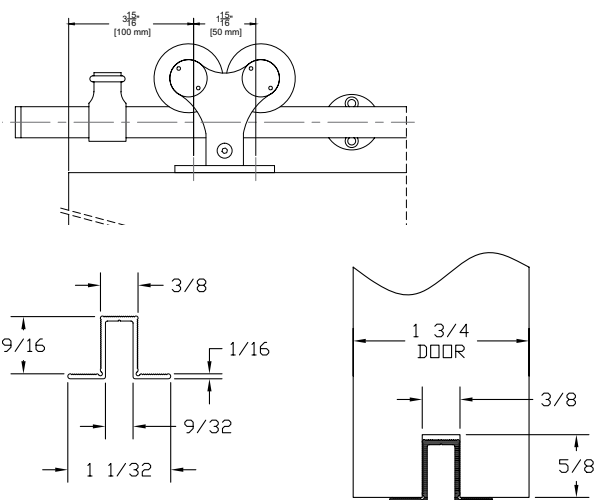
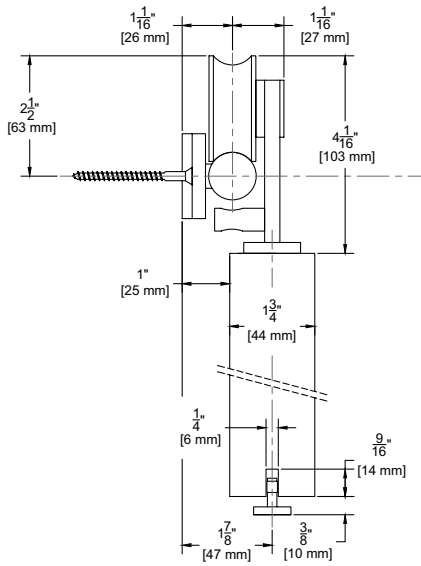
# STAINLESS STEEL SLIDING TRACK HARDWARE SYSTEM

## W70 SERIES FOR WOOD DOORS

For Sliding Panels up to 240 lbs.



Shown with Optional Stop. Part number: STOP1



NOTE: Alternate route dimension when using optional EPD3BL



Experience a safer and more open world

### Configurations:

- Single
- Bi-parting

### Installations:

- Side Wall Mount (only)

### Features:

- Made of 304 stainless steel
- Nylon coated stainless steel wheel for smooth operation
- 240 lb. panel capacity
- 5 year warranty
- Meets ADA push force requirements

### Finishes:

- Brushed Stainless Steel (W70)
- Black Powder Coated Stainless Steel (W70D)
- Polished Stainless Steel (W70P)

### W70 Kits Include:

- 1 ea **BAR\_** Stainless Steel Track
- **BRACKET2** Stainless Steel Wall Brackets
- 2 ea **WD72** Stainless Steel Hangers
- 1 ea **102SS-KIT** Stainless Steel Guide
- 2 ea **STOP2** Stainless Steel Stops Mounting Hardware

NOTE: If ordering individual parts in the optional Black Powder Coat, Polished finishes be sure to include a prefix "D" for Black Powder Coat, or "P" for Polished Stainless

Standard Kit Sizes			
PART NUMBER	MATERIAL	TRACK LENGTH	DOOR WIDTH
W70/6	304 Stainless Steel	78 <sup>3</sup> / <sub>4</sub> "	36"
W70/8	304 Stainless Steel	98 <sup>7</sup> / <sub>16</sub> "	48"
W70D/6	Black Powder Coated Stainless Steel	78 <sup>3</sup> / <sub>4</sub> "	36"
W70D/8	Black Powder Coated Stainless Steel	98 <sup>7</sup> / <sub>16</sub> "	48"
W70P/6	304 Polished Stainless Steel	78 <sup>3</sup> / <sub>4</sub> "	36"
W70P/8	304 Polished Stainless Steel	98 <sup>7</sup> / <sub>16</sub> "	48"

Custom lengths are available. Please contact the factory to order.

### Options:

- Hardware Pack (One Door)
- Alternate Stop
- Mortise Guides
- Polypropylene Guide Rail
- 5/8" Spacer

### W70\_H/PACK

#### STOP1

#### 102N

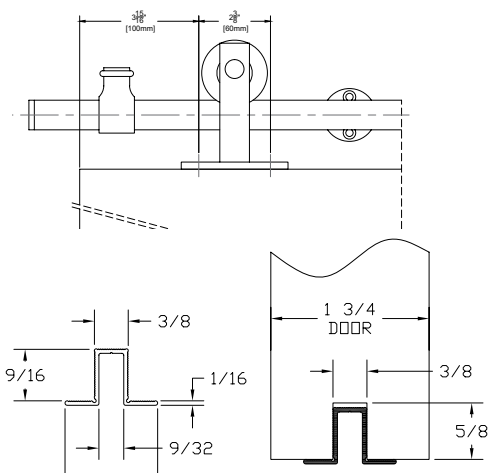
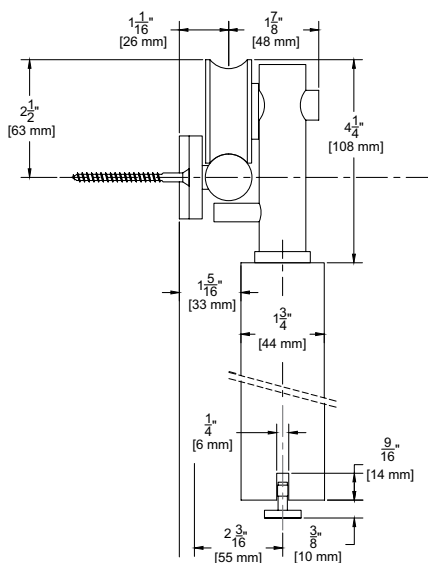
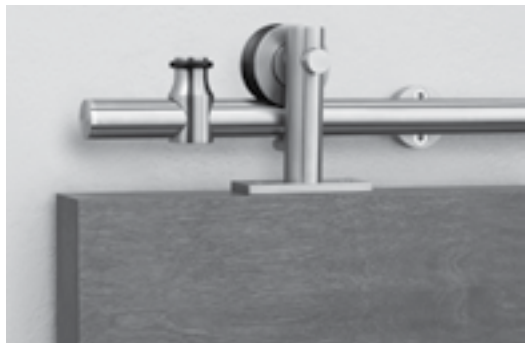
#### EPD3BL For Use With 102N

**BLD-SPACER-58** Pack of 5 5/8" Spacer  
Recommended for use with 5/8" Gypsum Board  
When Mounting Track Directly to Gypsum Board

# STAINLESS STEEL SLIDING TRACK HARDWARE SYSTEM

## W80 SERIES FOR WOOD DOORS

For Sliding Panels up to 176 lbs.



NOTE: Alternate route dimension when using optional EPD3BL

### Configurations:

- Single
- Bi-parting

### Installations:

- Side Wall Mount (only)

### Features:

- Made of 304 stainless steel
- Nylon coated stainless steel wheel for smooth operation
- 176 lb. panel capacity
- 5 year warranty
- Meets ADA push force requirements

### Finishes:

- Brushed Stainless Steel (W80)
- Black Powder Coated Stainless Steel (W80D)
- Polished Stainless Steel (W80P)

### W80 Kits Include:

- 1 ea **BAR/** Stainless Steel Track
- **BRACKET2** Stainless Steel Wall Brackets
- 2 ea **WD82** Stainless Steel Hangers
- 1 ea **102SS-KIT** Stainless Steel Guide
- 2 ea **STOP2** Stainless Steel Stops Mounting Hardware

NOTE: If ordering individual parts in the optional Black Powder Coat, Polished finishes be sure to include a prefix "D" for Black Powder Coat, or "P" for Polished Stainless

Standard Kit Sizes			
PART NUMBER	MATERIAL	TRACK LENGTH	DOOR WIDTH
W80/6	304 Stainless Steel	78 <sup>3</sup> / <sub>4</sub> "	36"
W80/8	304 Stainless Steel	98 <sup>7</sup> / <sub>16</sub> "	48"
W80D/6	Black Powder Coated Stainless Steel	78 <sup>3</sup> / <sub>4</sub> "	36"
W80D/8	Black Powder Coated Stainless Steel	98 <sup>7</sup> / <sub>16</sub> "	48"
W80P/6	304 Polished Stainless Steel	78 <sup>3</sup> / <sub>4</sub> "	36"
W80P/8	304 Polished Stainless Steel	98 <sup>7</sup> / <sub>16</sub> "	48"

Custom lengths are available. Please contact the factory to order.

### Options:

- Hardware Pack (One Door)
- Mortise Guides
- Polypropylene Guide Rail
- 5/8" Spacer

### W80\_H/PACK

### 102N

### EPD3BL For Use With 102N

**BLD-SPACER-58** Pack of 5 5/8" Spacer Recommended for use with 5/8" Gypsum Board When Mounting Track Directly to Gypsum Board

800-824-3018 | www.pemko.com

Check the web site for the up-to-date catalog

Copyright © 2015-2023, ASSA ABLOY Accessories and Door Controls Group, Inc., an ASSA ABLOY Group company. All rights reserved. Reproduction in whole or in part without the express written permission of ASSA ABLOY Accessories and Door Controls Group, Inc. is prohibited.

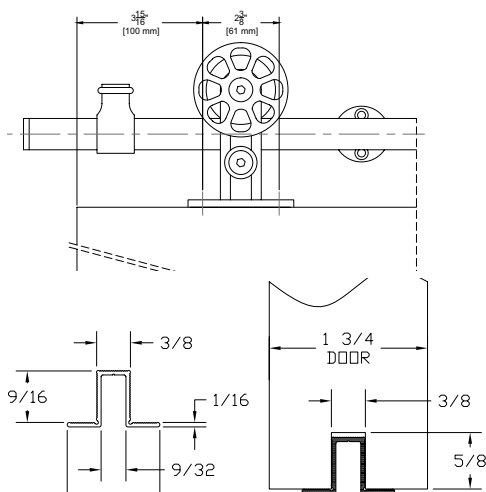
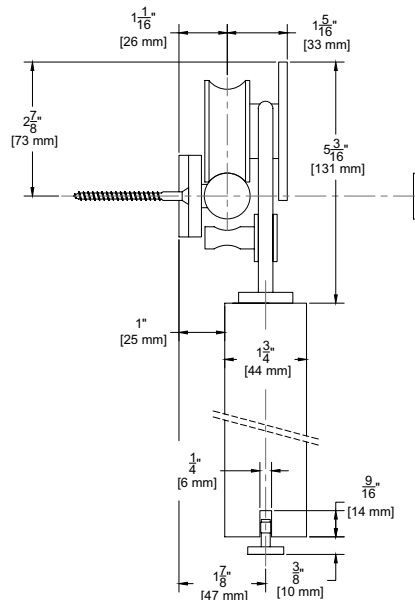
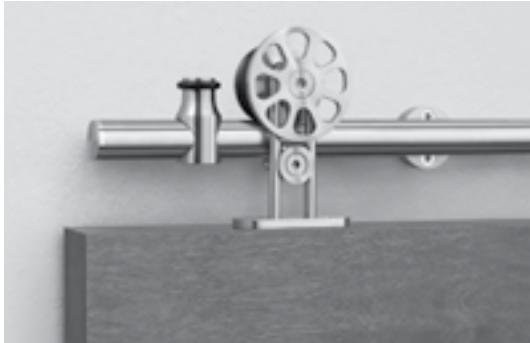
**PEMKO**  
**ASSA ABLOY**

Experience a safer  
and more open world

# STAINLESS STEEL SLIDING TRACK HARDWARE SYSTEM

## W90 SERIES FOR WOOD DOORS

For Sliding Panels up to 176 lbs.



NOTE: Alternate route dimension when using optional EPD3BL



Experience a safer and more open world

### Configurations:

- Single
- Bi-parting

### Installations:

- Side Wall Mount (only)

### Features:

- Made of 304 stainless steel
- Nylon coated stainless steel wheel for smooth operation
- 176 lb. panel capacity
- 5 year warranty
- Meets ADA push force requirements

### Finishes:

- Brushed Stainless Steel (W90)
- Black Powder Coated Stainless Steel (W90D)

### W90 Kits Include:

- 1 ea **BAR/\_** Stainless Steel Track
- **BRACKET2** Stainless Steel Wall Brackets
- 2 ea **WD92** Stainless Steel Hangers
- 1 ea **102SS-KIT** Stainless Steel Guide
- 2 ea **STOP2** Stainless Steel Stops Mounting Hardware

NOTE: If ordering individual parts in the optional Black Powder Coat, be sure to include a prefix "D" for Black Powder Coat

Standard Kit Sizes			
PART NUMBER	MATERIAL	TRACK LENGTH	DOOR WIDTH
W90/6	304 Stainless Steel	78 <sup>3/4</sup> "	36"
W90/8	304 Stainless Steel	98 <sup>7/16</sup> "	48"
W90D/6	Black Powder Coated Stainless Steel	78 <sup>3/4</sup> "	36"
W90D/8	Black Powder Coated Stainless Steel	98 <sup>7/16</sup> "	48"

Custom lengths are available. Please contact the factory to order.

### Options:

- Hardware Pack (One Door) **W90\_H/PACK**
- Mortise Guides **102N**
- Polypropylene Guide Rail **EPD3BL** For Use With 102N
- 5/8" Spacer **BLD-SPACER-58** Pack of 5 5/8" Spacer Recommended for use with 5/8" Gypsum Board When Mounting Track Directly to Gypsum Board

800-824-3018 | www.pemko.com

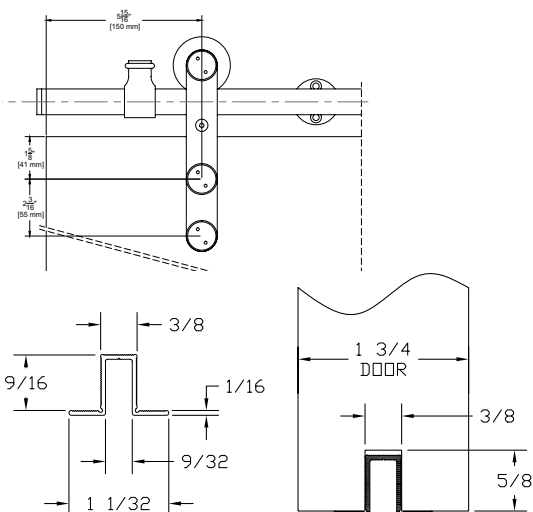
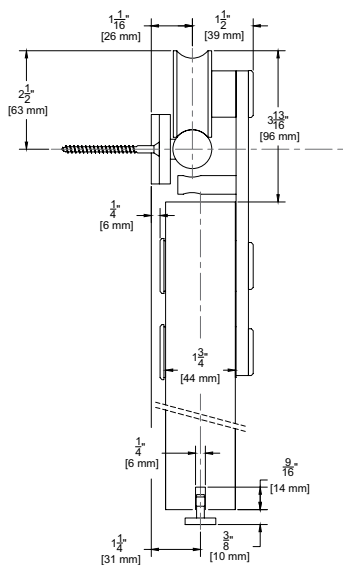
Check the web site for the up-to-date catalog

Copyright © 2015-2023, ASSA ABLOY Accessories and Door Controls Group, Inc., an ASSA ABLOY Group company. All rights reserved. Reproduction in whole or in part without the express written permission of ASSA ABLOY Accessories and Door Controls Group, Inc. is prohibited.

# STAINLESS STEEL SLIDING TRACK HARDWARE SYSTEM

## W100 SERIES FOR WOOD DOORS

For Sliding Panels up to 198 lbs.



NOTE: Alternate route dimension when using optional EPD3BL

### Configurations:

- Single
- Bi-parting

### Installations:

- Side Wall Mount (only)

### Features:

- Made of 304 stainless steel
- Nylon coated stainless steel wheel for smooth operation
- 198 lb. panel capacity
- 5 year warranty
- Meets ADA push force requirements

### Finishes:

- Brushed Stainless Steel (W100)
- Black Powder Coated Stainless Steel (W100D)
- Polished Stainless Steel (W100P)

### W100 Kits Include:

- 1 ea **BAR/** Stainless Steel Track
- **BRACKET2** Stainless Steel Wall Brackets
- 2 ea **WD111** Stainless Steel Hangers
- 1 ea **102SS-KIT** Stainless Steel Guide
- 2 ea **STOP2** Stainless Steel Stops Mounting Hardware

NOTE: If ordering individual parts in the optional Black Powder Coat, Polished finishes be sure to include a prefix "D" for Black Powder Coat, or "P" for Polished Stainless

Standard Kit Sizes			
PART NUMBER	MATERIAL	TRACK LENGTH	DOOR WIDTH
W100/6	304 Stainless Steel	78 <sup>3</sup> / <sub>4</sub> "	36"
W100/8	304 Stainless Steel	98 <sup>7</sup> / <sub>16</sub> "	48"
W100D/6	Black Powder Coated Stainless Steel	78 <sup>3</sup> / <sub>4</sub> "	36"
W100D/8	Black Powder Coated Stainless Steel	98 <sup>7</sup> / <sub>16</sub> "	48"
W100P/6	304 Polished Stainless Steel	78 <sup>3</sup> / <sub>4</sub> "	36"
W100P/8	304 Polished Stainless Steel	98 <sup>7</sup> / <sub>16</sub> "	48"

Custom lengths are available. Please contact the factory to order.

### Options:

- Hardware Pack (One Door)
- Mortise Guides
- Polypropylene Guide Rail
- 5/8" Spacer

### W100\_H/PACK

### 102N

EPD3BL For Use With 102N

**BLD-SPACER-58** Pack of 5 5/8" Spacer Recommended for use with 5/8" Gypsum Board When Mounting Track Directly to Gypsum Board

800-824-3018 | www.pemko.com

Check the web site for the up-to-date catalog

Copyright © 2015-2023, ASSA ABLOY Accessories and Door Controls Group, Inc., an ASSA ABLOY Group company. All rights reserved. Reproduction in whole or in part without the express written permission of ASSA ABLOY Accessories and Door Controls Group, Inc. is prohibited.

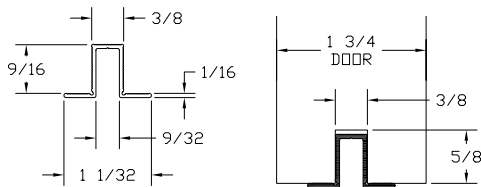
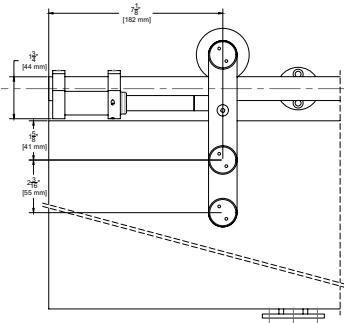
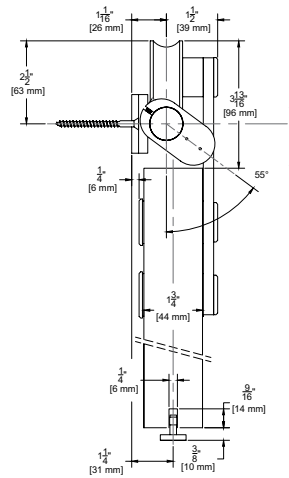
**PEMKO**  
**ASSA ABLOY**

Experience a safer  
and more open world

# STAINLESS STEEL SLIDING TRACK HARDWARE SYSTEM WITH CUSHION STOP

## CS-W100 SERIES FOR WOOD DOORS

For Sliding Panels up to 198 lbs.



NOTE: Alternate route dimension when using optional EPD3BL



Experience a safer and more open world

### Configurations:

- Single

### Installations:

- Side Wall Mount (only)

### Features:

- Made of 304 stainless steel
- Prevents door racking and bounce back
- Extends life of upper hardware
- Nylon coated stainless steel wheel for smooth operation
- 198 lb. panel capacity
- 5 year warranty
- Meets ADA push force requirements

### Finishes:

- Brushed Stainless Steel
- Black Powder Coated Stainless Steel

### CS-W100 Kits Include:

- 1 ea **BAR/\_** Stainless Steel Track
- **BRACKET2** Stainless Steel Wall Brackets
- 2 ea **WD111** Stainless Steel Hangers
- 1 ea **102SS-KIT** Stainless Steel Guide
- 1 pr **CS-003SS** Stainless Steel Cushion Stops

NOTE: If ordering individual parts in the optional Dark Bronze or Polished finishes, be sure to include a suffix "D" for Dark Bronze or "P" for Polished Stainless

Standard Kit Sizes			
PART NUMBER	MATERIAL	TRACK LENGTH	DOOR WIDTH
CS- W100/6	304 Stainless Steel	78 <sup>3</sup> / <sub>4</sub> "	36"
CS- W100/8	304 Stainless Steel	98 <sup>7</sup> / <sub>16</sub> "	48"
CS- W100D/6	Black Powder Coated Stainless Steel	78 <sup>3</sup> / <sub>4</sub> "	36"
CS- W100D/8	Black Powder Coated Stainless Steel	98 <sup>7</sup> / <sub>16</sub> "	48"

Custom lengths are available. Please contact the factory to order.

### Options:

Mortise Guides

Polypropylene Guide Rail

Cushion Stops

5/8" Spacer

### 102N

**EPD3BL For Use With 102SS-KIT**

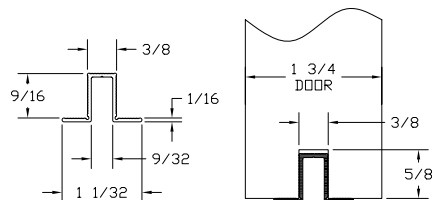
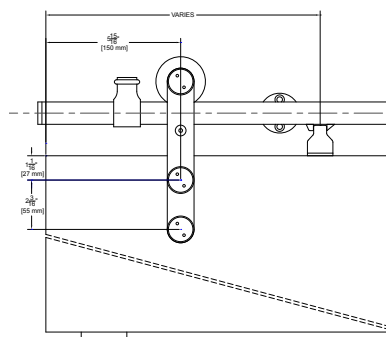
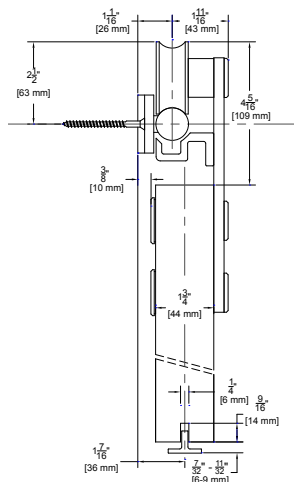
**CS-003SS** (sold as pair) For use with existing openings that have W100 hardware installed

**BLD-SPACER-58** Pack of 5 5/8" Spacer Recommended for use with 5/8" Gypsum Board When Mounting Track Directly to Gypsum Board



# SOFT CLOSE STAINLESS STEEL SLIDING TRACK HARDWARE SYSTEM SFT-W100 SERIES FOR WOOD DOORS

For Sliding Panels up to 198 lbs.



NOTE: Alternate route dimension when using optional EPD3BL

### Configurations:

- Single

### Installations:

- Side Wall Mount (only)

### Features:

- Made of 304 stainless steel
- Soft Close
- Nylon coated stainless steel wheel for smooth operation
- 198 lb. panel capacity
- 5 year warranty
- Meets ADA push force requirements

### Finishes:

- Brushed Stainless Steel

### SFT-W100 Kits Include:

- 1 ea **SC-BAR/** Stainless Steel Track with Two Soft Close Devices
- **BRACKET2** Stainless Steel Wall Brackets
- 2 ea **SC-111** Stainless Steel Hangers
- 1 ea **102SS-KIT** Stainless Steel Guide
- 2 ea **STOP2** Stainless Steel Stops Mounting Hardware
- 2 ea **SC-TRG** Soft Close Activators

Standard Kit Sizes			
PART NUMBER	MATERIAL	TRACK LENGTH	DOOR WIDTH
SFT-W100/6	304 Stainless Steel	78 <sup>3</sup> / <sub>4</sub> "	36"
SFT-W100/8	304 Stainless Steel	98 <sup>7</sup> / <sub>16</sub> "	48"

### Options:

- Hardware Pack (One Door) **SC-W100H/PACK**
- Mortise Guides **102N**
- Polypropylene Guide Rail **EPD3BL** For Use With 102N and 102SS-KIT
- 5/8" Spacer **BLD-SPACER-58** Pack of 5 5/8" Spacer  
Recommended for use with 5/8" Gypsum Board  
When Mounting Track Directly to Gypsum Board

800-824-3018 | www.pemko.com

Check the web site for the up-to-date catalog

Copyright © 2015-2023, ASSA ABLOY Accessories and Door Controls Group, Inc., an ASSA ABLOY Group company. All rights reserved. Reproduction in whole or in part without the express written permission of ASSA ABLOY Accessories and Door Controls Group, Inc. is prohibited.

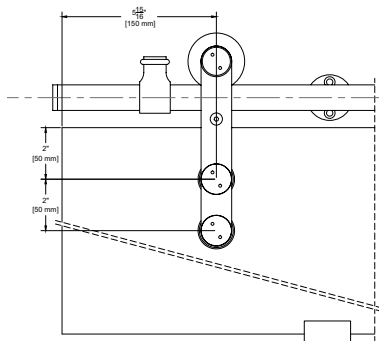
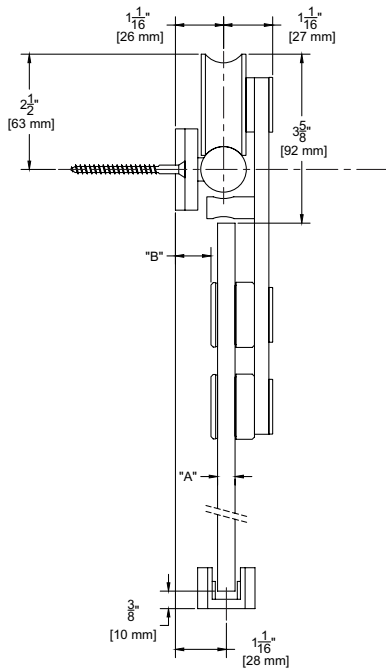


Experience a safer  
and more open world

# STAINLESS STEEL SLIDING TRACK HARDWARE SYSTEM

## G60 SERIES FOR GLASS DOORS

For Sliding Panels up to 198 lbs.



Glass Thickness "A"	Distance from Wall "B"
3/8"	3/4"
1/2"	5/8"

### Configurations:

- Single
- Bi-parting

### Installations:

- Side Wall Mount (only)

### Features:

- Made of 304 stainless steel
- Nylon coated stainless steel wheel for smooth operation
- 198 lb. panel capacity
- 5 year warranty
- Meets ADA push force requirements

### Finishes:

- Brushed Stainless Steel (G60)
- Black Powder Coated Stainless Steel (G60D)

### G60 Kits Include:

- 1 ea **BAR/** Stainless Steel Track
- **BRACKET2** Stainless Steel Wall Brackets
- 2 ea **12** Stainless Steel Hangers
- 1 ea **GLASSGUIDE** Stainless Steel Guide
- 2 ea **STOP2** Stainless Steel Stops Mounting Hardware

NOTE: If ordering individual parts in the optional Black Powder Coat, be sure to include a suffix "D" for Black Powder Coat

Standard Kit Sizes			
PART NUMBER	MATERIAL	TRACK LENGTH	DOOR WIDTH
G60/6	304 Stainless Steel	78 <sup>3</sup> / <sub>4</sub> "	36"
G60/8	304 Stainless Steel	98 <sup>7</sup> / <sub>16</sub> "	48"
G60D/6	Black Powder Coated Stainless Steel	78 <sup>3</sup> / <sub>4</sub> "	36"
G60D/8	Black Powder Coated Stainless Steel	98 <sup>7</sup> / <sub>16</sub> "	48"

Custom lengths are available. Please contact the factory to order.

### Options:

Hardware Pack (One Door) **G60\_H/PACK**

5/8" Spacer

**BLD-SPACER-58** Pack of 5 5/8" Spacer  
Recommended for use with 5/8" Gypsum Board  
When Mounting Track Directly to Gypsum Board



Experience a safer and more open world

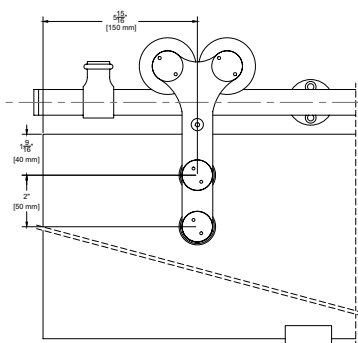
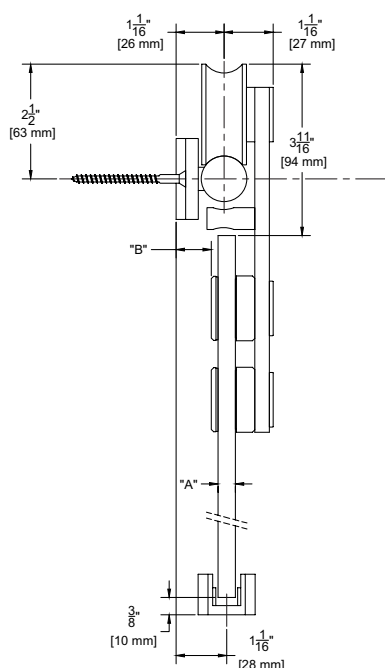
800-824-3018 | www.pemko.com  
Check the web site for the up-to-date catalog

Copyright © 2015-2023, ASSA ABLOY Accessories and Door Controls Group, Inc., an ASSA ABLOY Group company. All rights reserved. Reproduction in whole or in part without the express written permission of ASSA ABLOY Accessories and Door Controls Group, Inc. is prohibited.

# STAINLESS STEEL SLIDING TRACK HARDWARE SYSTEM

## G70 SERIES FOR GLASS DOORS

For Sliding Panels up to 240 lbs.



Glass Thickness "A"	Distance from Wall "B"
3/8"	3/4"
1/2"	5/8"

### Configurations:

- Single
- Bi-parting

### Installations:

- Side Wall Mount (only)

### Features:

- Made of 304 stainless steel
- Nylon coated stainless steel wheel for smooth operation
- 240 lb. panel capacity
- 5 year warranty
- Meets ADA push force requirements

### Finishes:

- Brushed Stainless Steel (G70)

### G70 Kits Include:

- 1 ea **BAR/\_** Stainless Steel Track
- **BRACKET2** Stainless Steel Wall Brackets
- 2 ea **32** Stainless Steel Hangers
- 1 ea **GLASSGUIDE** Stainless Steel Guide
- 2 ea **STOP2** Stainless Steel Stops Mounting Hardware

### Standard Kit Sizes

PART NUMBER	MATERIAL	TRACK LENGTH	DOOR WIDTH
G70/6	304 Stainless Steel	78 <sup>3</sup> / <sub>4</sub> "	36"
G70/8	304 Stainless Steel	98 <sup>7</sup> / <sub>16</sub> "	48"

Custom lengths are available. Please contact the factory to order.

### Options:

Hardware Pack (One Door) **G70H/PACK**

Alternate Stop

5/8" Spacer

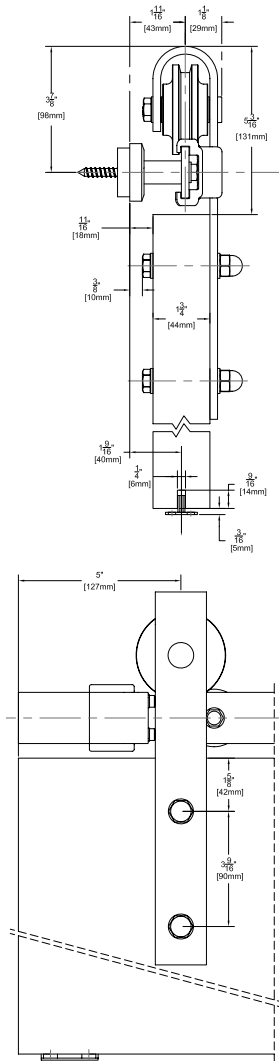
### STOP1

**BLD-SPACER-58** Pack of 5 5/8" Spacer Recommended for use with 5/8" Gypsum Board When Mounting Track Directly to Gypsum Board

# BUILDERS SERIES FLAT TRACK SLIDING DOOR HARDWARE SYSTEM

## BLD-FT-01 FOR WOOD DOORS

For Sliding Panels up to 240 lbs.



### Configurations:

- Single
- Bi-parting

### Installations:

- Side Wall Mount (only)

### Features:

- Solid nylon wheel for smooth operation
- 240 lb. panel capacity
- Optional Soft Close
- 5 year warranty
- Meets ADA push force requirements

### Finishes:

- Black Suede Powder Coated Steel (BLD-FT-01BSP)
- Industrial Steel Zinc Coated Steel (BLD-FT-01IS)

### BLD-FT-01 Kits Include:

- 1 ea **BLD-FT-/\_** Steel Flat Track
- 5 ea **BLD-99-\_\_** Steel Track Brackets
- 5 ea **BLD-88-\_\_** Steel Track Fasteners
- 2 ea **BLD-01-\_\_** Steel Strap Mount Hangers
- 2 ea **BLD-77** Anti-Rise Discs
- 1 ea **102N** Mortised Type Nylon Guide
- 2 ea **BLD-11-\_\_** Steel Track Stops Mounting Hardware

### Standard Kit Sizes

PART NUMBER	MATERIAL	TRACK LENGTH	DOOR WIDTH
BLD-FT-01IS/6	Industrial Steel	72"	36"
BLD-FT-01IS/8	Industrial Steel	96"	48"
BLD-FT-01BSP/6	Black Suede Powder Coated Steel	72"	36"
BLD-FT-01BSP/8	Black Suede Powder Coated Steel	96"	48"

Custom lengths are available. Please contact the factory to order. Industrial Steel maximum track length is 8'. Lengths over 8' will be spliced by factory.

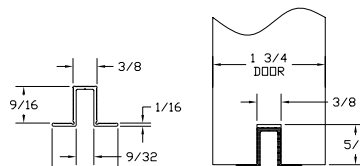
### Options:

- Thru-bolts for 1 3/8" thick doors 4 per door
- Hardware Pack (One Door)
- Side Wall Mortised Type Guide
- Polypropylene Guide Rail
- 5/8" Spacer

- BLD-97-\_\_**
- BLD-FT01-\_\_ /PACK**
- 102WN-KIT**

- EPD3BL** For Use With 102N
- BLD-SPACER-58** Pack of 5 5/8" Spacer Recommended for use with 5/8" Gypsum Board When Mounting Track Directly to Gypsum Board

Soft Close available. See pages 269-271 for more information.



NOTE: Alternate route dimension when using optional EPD3BL



Experience a safer and more open world

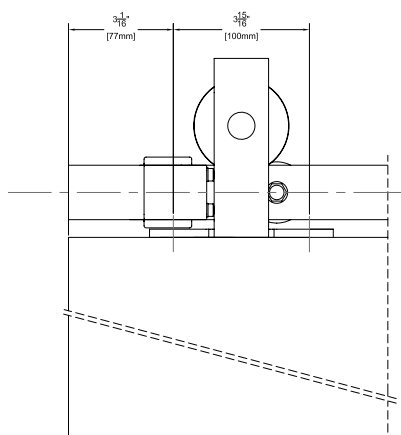
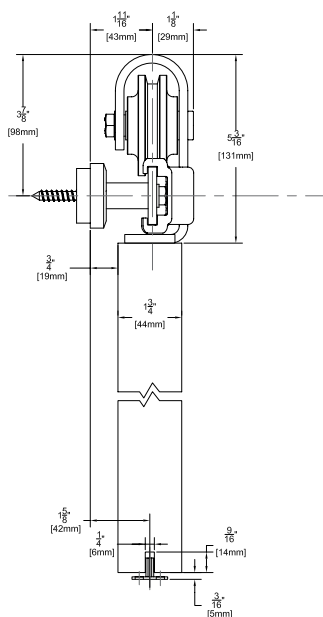
800-824-3018 | www.pemko.com  
Check the web site for the up-to-date catalog

Copyright © 2015-2023, ASSA ABLOY Accessories and Door Controls Group, Inc., an ASSA ABLOY Group company. All rights reserved. Reproduction in whole or in part without the express written permission of ASSA ABLOY Accessories and Door Controls Group, Inc. is prohibited.

# BUILDERS SERIES FLAT TRACK SLIDING DOOR HARDWARE SYSTEM

## BLD-FT-02 FOR WOOD DOORS

For Sliding Panels up to 240 lbs.



### Configurations:

- Single
- Bi-parting

### Installations:

- Side Wall Mount (only)

### Features:

- Solid nylon wheel for smooth operation
- 240 lb. panel capacity
- Optional Soft Close
- 5 year warranty
- Meets ADA push force requirements

### Finishes:

- Black Suede Powder Coated Steel (BLD-FT-02BSP)
- Industrial Steel Zinc Coated Steel (BLD-FT-02IS)

### BLD-FT-02 Kits Include:

- 1 ea **BLD-FT-/\_** Steel Flat Track
- 5 ea **BLD-99** Steel Track Brackets
- 5 ea **BLD-88** Steel Track Fasteners
- 2 ea **BLD-02-** Steel Top Mount Hangers
- 2 ea **BLD-77** Anti-Rise Discs
- 1 ea **102N** Mortised Type Nylon Guide
- 2 ea **BLD-11-** Steel Track Stops Mounting Hardware

### Standard Kit Sizes

PART NUMBER	MATERIAL	TRACK LENGTH	DOOR WIDTH
BLD-FT-02IS/6	Industrial Steel	72"	36"
BLD-FT-02IS/8	Industrial Steel	96"	48"
BLD-FT-02BSP/6	Black Suede Powder Coated Steel	72"	36"
BLD-FT-02BSP/8	Black Suede Powder Coated Steel	96"	48"

Custom lengths are available. Please contact the factory to order. Industrial Steel maximum track length is 8'. Lengths over 8' will be spliced by factory.

**Options:** See page 278

Hardware Pack (One Door)

**BLD-FT02-\_/PACK**

Side Wall Mortised Type Guide

**102WN-KIT**

Polypropylene Guide Rail

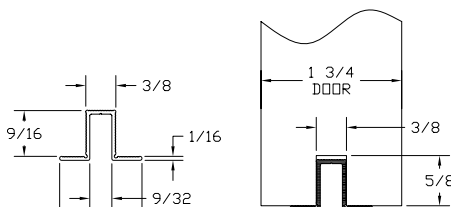
**EPD3BL** For Use With 102N

5/8" Spacer

**BLD-SPACER-58** Pack of 5 5/8" Spacer

Recommended for use with 5/8" Gypsum Board When Mounting Track Directly to Gypsum Board

Soft Close available. See pages 269-271 for more information.



NOTE: Alternate route dimension when using optional EPD3BL

800-824-3018 | www.pemko.com

Check the web site for the up-to-date catalog

Copyright © 2015-2023, ASSA ABLOY Accessories and Door Controls Group, Inc., an ASSA ABLOY Group company. All rights reserved. Reproduction in whole or in part without the express written permission of ASSA ABLOY Accessories and Door Controls Group, Inc. is prohibited.

**PEMKO**  
**ASSA ABLOY**

Experience a safer  
and more open world

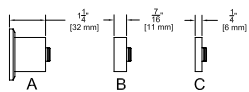
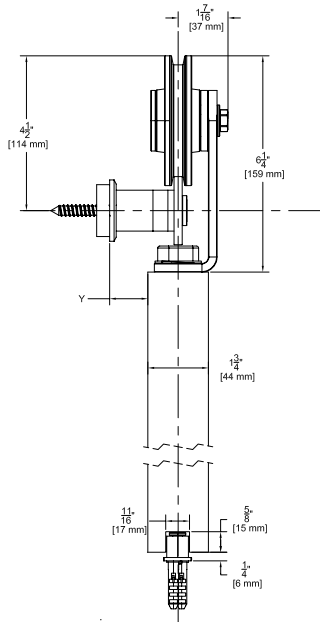
# DESIGNER SERIES FLAT TRACK SLIDING DOOR HARDWARE SYSTEM

## DSG-FT-05 FOR WOOD DOORS

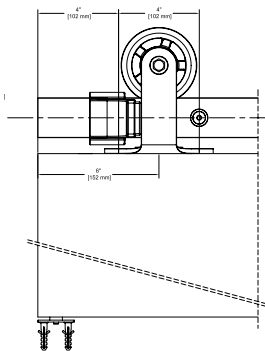
For Sliding Panels up to 500 lbs.



Shown in Industrial Steel finish



Wall Bracket Combination				
	A	A+C	A+B	A+B+C
"Y"	1/2"	3/4"	1"	1-1/4"



Experience a safer and more open world

### Configurations:

- Single
- Bi-parting

### Installations:

- Side Wall Mount (only)

### Features:

- Solid steel wheel with a polymer resin contact surface for smooth operation
- 500 lb. panel capacity
- 5 year warranty

### Finishes:

- Black Suede Powder Coated Steel (DSG-FT-05BSP)
- Industrial Steel Zinc Coated Steel (DSG-FT-05IS)
- Stainless Steel (DSG-FT-05SS)

### DSG-FT-05 Kits include:

- 1 ea **DSG-FT\_** Steel Flat Track
- 7 to 9 ea **DSG-100\_** Steel Track Brackets
- 7 to 9 ea **DSG-89\_** Steel Track Fasteners
- 2 ea **DSG-05\_** Steel Top Mount Hangers
- 2 ea **DSG-78** Anti-Rise Blocks
- 1 ea **DSG-106** Mortised Type Roller Guide
- 2 ea **DSG-12\_** Steel Track Stops Mounting Hardware

Standard Kit Sizes			
PART NUMBER	MATERIAL	TRACK LENGTH	DOOR WIDTH
DSG-FT-05IS/6	Industrial Steel	72"	36"
DSG-FT-05IS/8	Industrial Steel	96"	48"
DSG-FT-05BSP/6	Black Suede Powder Coated Steel	72"	36"
DSG-FT-05BSP/8	Black Suede Powder Coated Steel	96"	48"
DSG-FT-05SS/6	Stainless Steel	72"	36"
DSG-FT-05SS/8	Stainless Steel	96"	48"

Custom lengths are available. Please contact the factory to order. Industrial Steel maximum track length is 8'. Lengths over 8' will be spliced by factory.

### Options:

- Hardware Pack (One Door)
- Side Wall Mortised Type Guide
- 5/8" Spacer

### DSG-FT05-\_/PACK

### 102WN-KIT

**BLD-SPACER-58** Pack of 5 5/8" Spacer Recommended for use with 5/8" Gypsum Board When Mounting Track Directly to Gypsum Board

Soft Close available. See pages 269-271 for more information.

# DESIGNER SERIES FLAT TRACK SLIDING DOOR HARDWARE SYSTEM

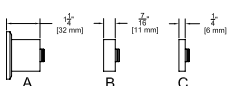
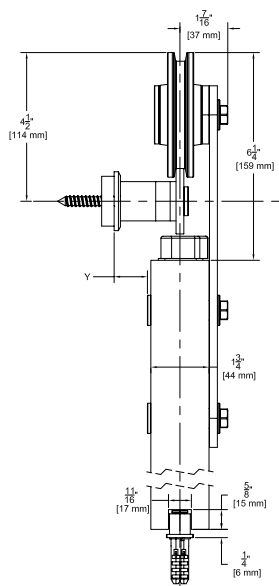
## DSG-FT-06 FOR WOOD DOORS

### For Sliding Panels up to 500 lbs.

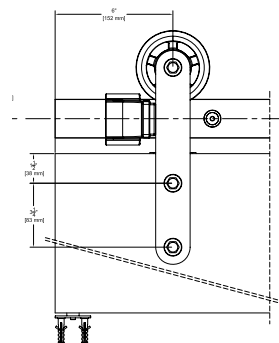
Only for doors 1 1/2" to 2 1/4" thick.



Shown in Stainless Steel with a solid wheel. DSG-FT-06 in all other finishes have spoked wheels.



Wall Bracket Combination				
	A	A+C	A+B	A+B+C
"Y"	7/16"	11/16"	7/8"	1-1/8"



### Configurations:

- Single
- Bi-parting

### Installations:

- Side Wall Mount (only)

### Features:

- Solid steel wheel with a polymer resin contact surface for smooth operation
- 500 lb. panel capacity
- 5 year warranty

### Finishes:

- Black Black Suede Powder Coated Steel (DSG-FT-06BSP)
- Industrial Steel Zinc Coated Steel (DSG-FT-06IS)
- Stainless Steel (DSG-FT-06SS)

### DSG-FT-06 Kits include:

- 1 ea **DSG-FT-/\_** Steel Flat Track
- 7 to 9 ea **DSG-100-/\_** Steel Track Brackets
- 7 to 9 ea **DSG-89-/\_** Steel Track Fasteners
- 2 ea **DSG-06-/\_** Steel Top Mount Hangers
- 2 ea **DSG-78** Anti-Rise Blocks
- 1 ea **DSG-106** Mortised Type Roller Guide
- 2 ea **DSG-12-/\_** Steel Track Stops Mounting Hardware

Standard Kit Sizes			
PART NUMBER	MATERIAL	TRACK LENGTH	DOOR WIDTH
DSG-FT-06IS/6	Industrial Steel	72"	36"
DSG-FT-06IS/8	Industrial Steel	96"	48"
DSG-FT-06BSP/6	Black Suede Powder Coated Steel	72"	36"
DSG-FT-06BSP/8	Black Suede Powder Coated Steel	96"	48"
DSG-FT-06SS/6	Stainless Steel	72"	36"
DSG-FT-06SS/8	Stainless Steel	96"	48"

Custom lengths are available. Please contact the factory to order. Industrial Steel maximum track length is 8'. Lengths over 8' will be spliced by factory.

### Options:

- Hardware Pack (One Door)
- Side Wall Mortised Type Guide
- 5/8" Spacer

### DSG-FT06-\_/PACK

#### 102WN-KIT

**BLD-SPACER-58** Pack of 5 5/8" Spacer Recommended for use with 5/8" Gypsum Board When Mounting Track Directly to Gypsum Board

Soft Close available. See pages 269-271 for more information.

800-824-3018 | www.pemko.com

Check the web site for the up-to-date catalog

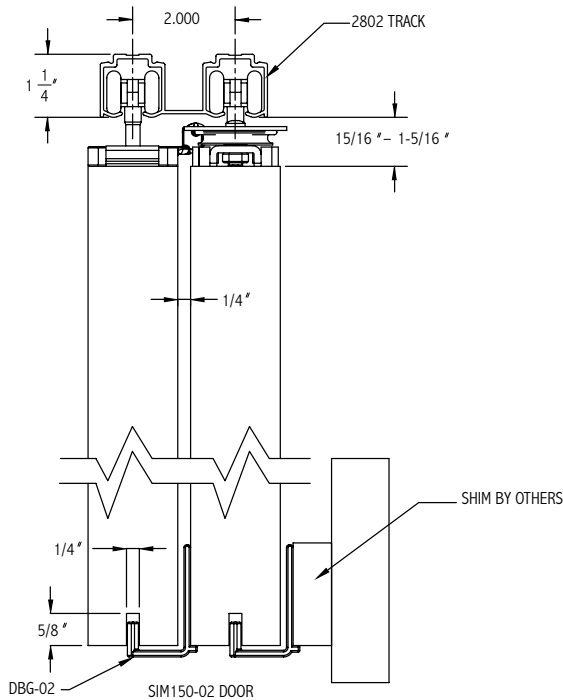
Copyright © 2015-2023, ASSA ABLOY Accessories and Door Controls Group, Inc., an ASSA ABLOY Group company. All rights reserved. Reproduction in whole or in part without the express written permission of ASSA ABLOY Accessories and Door Controls Group, Inc. is prohibited.

**PEMKO**  
**ASSA ABLOY**

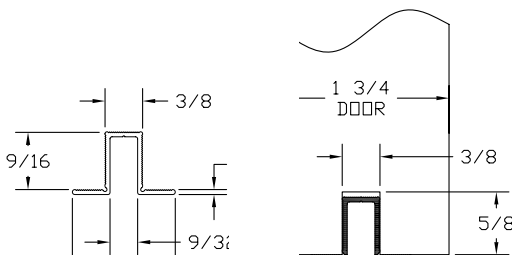
Experience a safer  
and more open world

# SIMULTANEOUS ACTING SLIDING DOOR SYSTEM SIM 150 FOR 2 DOOR SYSTEMS

For Sliding Panels up to 176 lbs.



### Alternate Route for EPD3BL



Experience a safer  
and more open world

### Configurations:

- Bi-part Telescoping

### Installations:

- Overhead Mount

### Features:

- Easy to install with self aligning components
- Telescoping panels glide along the track
- Doors retract into storage pockets when not in use
- 5 year warranty

### Finishes:

- Clear (C)
- Dark Bronze (D)

### Pulley System Kit Includes:

- Pre-Assembled Pulley System
- In-Track Stops and Hangers
- Door Bottom Guides
- Floor Stops, Back Stop and End Plates
- Installation Fasteners

Single Extrusion Aluminum Track must be ordered separately.

Specify door width when ordering. Default door overlap is 3". Any other overlap must be specified (Min. overlap is 2").

Note: All doors must be of equal width.

Pulley System Kits	
PART NUMBER	DOOR WIDTH
SIM150-2-LH/25-32	25" - 32"
SIM150-2-LH/33-40	33" - 40"
SIM150-2-LH/41-48	41" - 48"
SIM150-2-RH/25-32	25" - 32"
SIM150-2-RH/33-40	33" - 40"
SIM150-2-RH/41-48	41" - 48"

System Track Ordered Separately		
TRACK	FINISH	TRACK LENGTH
2802C	Clear	up to 147"
2802D	Dark	up to 185"

### Options:

Lock Kit- includes lock with edge pull, and cup pull, **SIM150-LOCKKIT**

Bolt Kit- includes surface bolt, dust-proof strike, cup pull, and edge pull, **SIM150-BOLTKIT**

Snap-on Fascia Available **F134**

Polypropylene Guide Rail **EPD3BL**

800-824-3018 | www.pemko.com

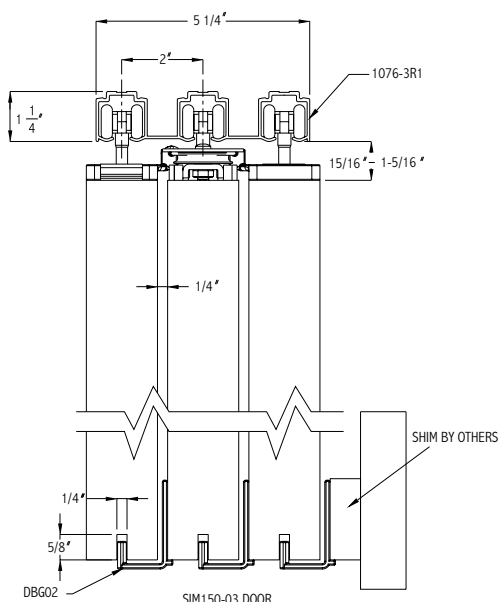
Check the web site for the up-to-date catalog

Copyright © 2015-2023, ASSA ABLOY Accessories and Door Controls Group, Inc., an ASSA ABLOY Group company. All rights reserved. Reproduction in whole or in part without the express written permission of ASSA ABLOY Accessories and Door Controls Group, Inc. is prohibited.

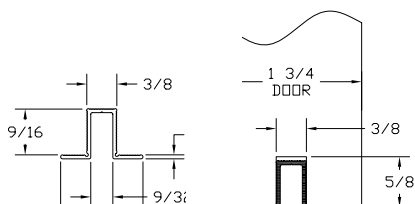


# SIMULTANEOUS ACTING SLIDING DOOR SYSTEM SIM 150 FOR 3 DOOR SYSTEMS

For Sliding Panels up to 176 lbs.



## Alternate Route for EPD3BL



### Configurations:

- Bi-part Telescoping

### Installations:

- Overhead Mount

### Features:

- Easy to install with self aligning components
- Telescoping panels glide along the track
- Doors retract into storage pockets when not in use
- 5 year warranty

### Finishes:

- Clear (C)
- Dark Bronze (D)

## Pulley System Kit Includes:

- Pre-Assembled Pulley System
- In-Track Stops and Hangers
- Door Bottom Guides
- Floor Stops, Back Stop and End Plates
- Installation Fasteners

Single Extrusion Aluminum Track must be ordered separately.

Specify door width when ordering. Default door overlap is 3". Any other overlap must be specified (Min. overlap is 2").

Note: All doors must be of equal width.

### Pulley System Kits

PART NUMBER	DOOR WIDTH
SIM150-3-LH/25-32	25" - 32"
SIM150-3-LH/33-40	33" - 40"
SIM150-3-LH/41-48	41" - 48"
SIM150-3-RH/25-32	25" - 32"
SIM150-3-RH/33-40	33" - 40"
SIM150-3-RH/41-48	41" - 48"

### System Track Ordered Separately

TRACK	FINISH	TRACK LENGTH
2802C and 280C	Clear	up to 144"
2802D and 280D	Dark	up to 144"

### Options:

Lock Kit- includes lock with edge pull, and cup pull, **SIM150-LOCKKIT**

Bolt Kit- includes surface bolt, dust-proof strike, cup pull, and edge pull, **SIM150-BOLTKIT**

Snap-on Fascia Available **F134**

Polypropylene Guide Rail **EPD3BL**

800-824-3018 | www.pemko.com

Check the web site for the up-to-date catalog

Copyright © 2015-2023, ASSA ABLOY Accessories and Door Controls Group, Inc., an ASSA ABLOY Group company. All rights reserved. Reproduction in whole or in part without the express written permission of ASSA ABLOY Accessories and Door Controls Group, Inc. is prohibited.

**PEMKO**  
**ASSA ABLOY**

Experience a safer  
and more open world

# CASCADING SLIDING DOOR SYSTEM

**For Sliding Panels up to 200 lbs. each.**



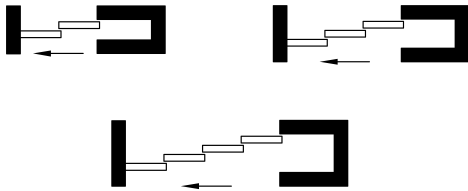
Note: All doors must be of equal width. Minimum overlap between doors is 2".

## Cased Opening

NOTE: Aluminum "T" Guide **102PB** Shown Under Options Must be Ordered Separately for Fixed Panel in Cased Opening Application



## Pocket



## Side Wall Mount

NOTE: Side Wall track Brackets Shown Under Options Must be Ordered Separately for Side Wall Mount Openings



## Configurations:

- Bi-part Telescoping
- Single Direction Telescoping

## Features:

- Opening and closing of lead door results in the trailing doors to follow because of interlocking hardware at door top edges
- Easy to install with self aligning components on 1 3/4" and 1 3/8" thick doors
- Telescoping panels glide along the track
- Solid steel catches with rubber bumpers ensure durable yet quiet operation
- 200 lb. per door weight capacity
- 5 year warranty

## Cascading Kit Includes:

**CAS-05** Catches - Mechanical Catch system - 2 Per Door

**601H** - Track Stops - 2 Per Door

**H222R1** - Hangers - 2 Per Door

**DBG-02R1** - Door Bottom Guides - 1 Per Door

**TELS-23** - End Plates - 2 Per Door

**2802C** - Single Extrusion - Dual Track

**280C** - Single Extrusion - Single Track

**C1076-TC** - Track Connector for CAS200A-4/\_ Kits

**EPD3-BL** - Polypropylene Guide Rails - 1 Per Door

**WRENCH14** - 1 Hanger Wrench Hardware Fasteners

Cascading System Kits			
PART NUMBER	TRACK LENGTH	# OF DOORS	INSTALLATION
CAS200A-2/6	6'	2	Pocket Side Wall
CAS200A-2/8	8'	2	
CAS200A-2/10	10'	2	
CAS200A-2/12	12'	2	Pocket Cased Opening Side Wall
CAS200A-3/8	8'	3	
CAS200A-3/10	10'	3	
CAS200A-3/12	12'	3	
CAS200A-3/16	16'	3	Pocket Cased Opening
CAS200A-4/8	8'	4	
CAS200A-4/10	10'	4	
CAS200A-4/12	12'	4	
CAS200A-4/16	16'	4	

For special number of doors and for dark bronze track, please contact Technical Support for more information

## Options:

Lock Kit	<b>SIM150-LOCKKIT</b> includes lock with edge pull and cup pull
Bolt Kit	<b>SIM150-BOLTKIT</b> includes surface bolt, dust-proof strike, cup pull, and edge pull
Fascia	<b>F134C</b> Snap-on Fascia
Splice Kit	<b>C1076-2SPLKIT</b> for use with Bi-Parting systems and 2802C Track <b>C1076-3SPLKIT</b> for use with Bi-Parting systems and 2803C Track
Back Stop	<b>TELS-25</b> for use with pocket systems when no access to in track stops in pocket
Aluminum "T" Guide	<b>102PB</b> for use with fixed panel in cased opening applications
Side Wall Track Bracket	<b>2812KIT</b> for use with 2802C Track (1 for every 12" of track) <b>2813KIT</b> for use with 2803C Track (1 for every 12" of track)
Side Wall Joining Bracket	<b>2813-5KIT</b> for use with Side Wall Bi-Parting systems and <b>2803C</b> Track

**PEMKO**  
**ASSA ABLOY**

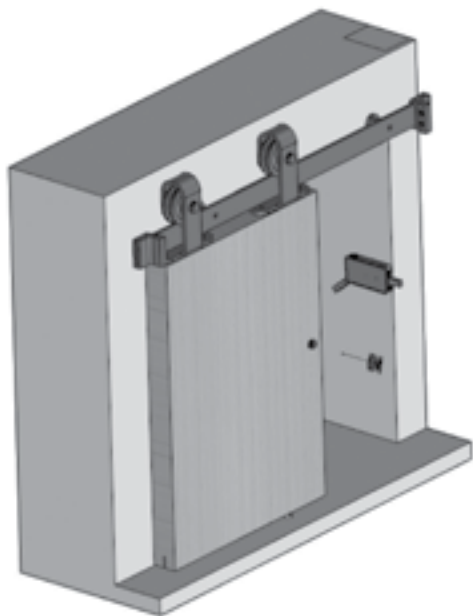
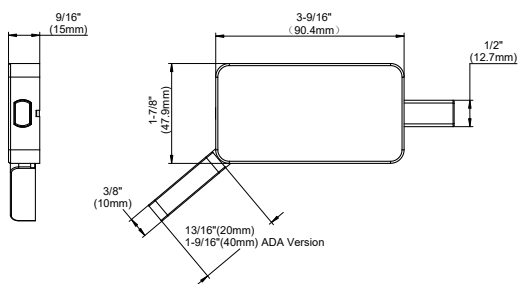
Experience a safer  
and more open world

800-824-3018 | [www.pemko.com](http://www.pemko.com)  
Check the web site for the up-to-date catalog

Copyright © 2015-2023, ASSA ABLOY Accessories and Door Controls Group, Inc., an ASSA ABLOY Group company. All rights reserved. Reproduction in whole or in part without the express written permission of ASSA ABLOY Accessories and Door Controls Group, Inc. is prohibited.

# PRIVACY BARN DOOR LOCK

## PEMKO SDL SERIES FOR SURFACE MOUNTED SLIDING DOORS



NOTE: For doors with 3/8" - 3/4" clearance between the wall or frame & door face

### Configurations:

- Single

### Installations:

- Side Wall Mount (only)
- For Side Wall Mounted Sliding Door Openings only
- New Construction
- Retro
- ADA

### Features:

- Quick and easy installation
- Handing is reversible in the field
- ADA option available
- Privacy Function
- Includes Emergency Release Key
- Doors can be prepped in the field
- 5 year warranty

### Finishes:

- Brushed Stainless Steel
- Polished Stainless Steel
- Black Graphite
- Contact factory if custom finish is required for more information

Standard Kit Sizes		
PART NUMBER	MATERIAL	ADA COMPLIANT
SDL32D	Brushed Stainless	
SDL32	Polished Stainless	
SDL19	Black Graphite	
SDL32D-ADA	Brushed Stainless	•
SDL32-ADA	Polished Stainless	•
SDL19-ADA	Black Graphite	•

Compatible with the following Pemko sliding door kits:

- W60 Series
- W70 Series (with 3/8" to 3/4" clearance)
- W80 Series (with 3/8" to 3/4" clearance)
- W90 Series (with 3/8" to 3/4" clearance)
- W100 Series
- Side Wall Box Track Series (SWT)
- BLD Flat Track Series
- DSG Flat Track Series (with 3/8" to 3/4" clearance)

800-824-3018 | [www.pemko.com](http://www.pemko.com)

Check the web site for the up-to-date catalog

Copyright © 2015-2023, ASSA ABLOY Accessories and Door Controls Group, Inc., an ASSA ABLOY Group company. All rights reserved. Reproduction in whole or in part without the express written permission of ASSA ABLOY Accessories and Door Controls Group, Inc. is prohibited.

**PEMKO**  
**ASSA ABLOY**

Experience a safer  
and more open world

# OPTIONS & ACCESSORIES

A visual guide to various parts

## Mounting Brackets

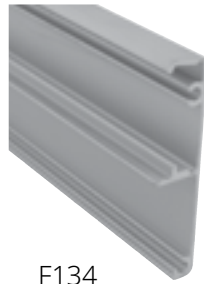


281  
(Sold in 5 packs, PC2815)



2812

## Fascia



F134

## End plates

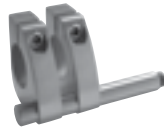


K134EP

## Stops



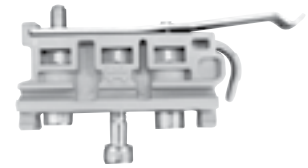
TELS-14KIT



STOP1  
W70 and G70 Kits only



PFBS



601H

## Guides



102N



PFBG-4



106R/94



102WA



PFBG-8



106N/94

## Pulls and Flush Bolts

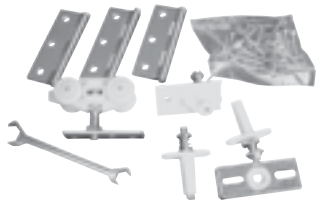


503SF

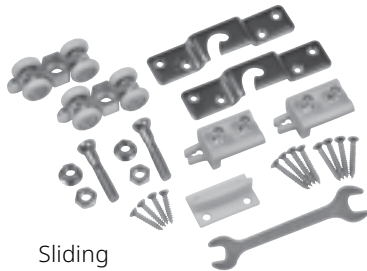


FB150SS

## Hardware Kits



Folding  
HF2/100 Pack



Sliding  
H200PACK

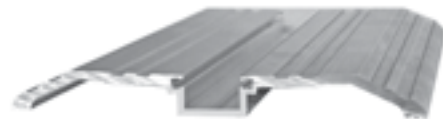
## Bottom Channel



94A



2802BT



971A

## Privacy Seals



PEMKOSFSET1



PEMKOSFSET2



PEMKOSFSET3



PEMKOSFSET4



PEMKOSFSET5

For more information, see page 196



Experience a safer  
and more open world

800-824-3018 | [www.pemko.com](http://www.pemko.com)  
Check the web site for the up-to-date catalog

Copyright © 2015-2023, ASSA ABLOY Accessories and Door Controls Group, Inc., an ASSA ABLOY Group company. All rights reserved. Reproduction in whole or in part without the express written permission of ASSA ABLOY Accessories and Door Controls Group, Inc. is prohibited.

# SOFT CLOSE FOR PEMKO BOX TRACK SYSTEMS

## For Pemko H200, H180, SHS80, HBP200, and Side Wall Track (SWT) systems

Minimum Door Width 28" When Using Dual or Single Devices.

For doors weighing 88-132 lbs.		For doors weighing 133-176 lbs.	
ITEM #	DESCRIPTION	ITEM #	DESCRIPTION
H180 /6-1411-1	H180_ 6' Single Device	H180 /6-1413-1	H180_ 6' Single Device
H180 /8-1411-1	H180_ 8' Single Device	H180 /8-1413-1	H180_ 8' Single Device
H180 /10-1411-1	H180_ 10' Single Device	H180 /10-1413-1	H180_ 10' Single Device
H180 /12-1411-1	H180_ 12' Single Device	H180 /12-1413-1	H180_ 12' Single Device
H180 /6-1411-2	H180_ 6' Dual Devices	H180 /6-1413-2	H180_ 6' Dual Devices
H180 /8-1411-2	H180_ 8' Dual Devices	H180 /8-1413-2	H180_ 8' Dual Devices
H180 /10-1411-2	H180_ 10' Dual Devices	H180 /10-1413-2	H180_ 10' Dual Devices
H180 /12-1411-2	H180_ 12' Dual Devices	H180 /12-1413-2	H180_ 12' Dual Devices
SHS80 /6-1411-1	SHS80_ 6' Single Device	SHS80 /6-1413-1	SHS80_ 6' Single Device
SHS80 /8-1411-1	SHS80_ 8' Single Device	SHS80 /8-1413-1	SHS80_ 8' Single Device
SHS80 /6-1411-2	SHS80_ 6' Dual Devices	SHS80 /6-1413-2	SHS80_ 6' Dual Devices
SHS80 /8-1411-2	SHS80_ 8' Dual Devices	SHS80 /8-1413-2	SHS80_ 8' Dual Devices
H200 /6-1411-1	H200_ 6' Single Device	H200 /6-1413-1	H200_ 6' Single Device
H200 /8-1411-1	H200_ 8' Single Device	H200 /8-1413-1	H200_ 8' Single Device
H200 /10-1411-1	H200_ 10' Single Device	H200 /10-1413-1	H200_ 10' Single Device
H200 /12-1411-1	H200_ 12' Single Device	H200 /12-1413-1	H200_ 12' Single Device
H200 /6-1411-2	H200_ 6' Dual Devices	H200 /6-1413-2	H200_ 6' Dual Devices
H200 /8-1411-2	H200_ 8' Dual Devices	H200 /8-1413-2	H200_ 8' Dual Devices
H200 /10-1411-2	H200_ 10' Dual Devices	H200 /10-1413-2	H200_ 10' Dual Devices
H200 /12-1411-2	H200_ 12' Dual Devices	H200 /12-1413-2	H200_ 12' Dual Devices
280 -SWTKIT/6-1411-1	280 -SWTKIT 6' Single Device	280 -SWTKIT/6-1413-1	280 -SWTKIT 6' Single Device
280 -SWTKIT/8-1411-1	280 -SWTKIT 8' Single Device	280 -SWTKIT/8-1413-1	280 -SWTKIT 8' Single Device
280 -SWTKIT/12-1411-1	280 -SWTKIT 12' One Device Per Door	280 -SWTKIT/12-1413-1	280 -SWTKIT 12' One Device per Door
280 -SWTKIT/6-1411-2	280 -SWTKIT 6' Dual Devices	280 -SWTKIT/6-1413-2	280 -SWTKIT 6' Dual Devices
280 -SWTKIT/8-1411-2	280 -SWTKIT 8' Dual Devices	280 -SWTKIT/8-1413-2	280 -SWTKIT 8' Dual Devices
280 -SWTKIT/12-1411-2	280 -SWTKIT 12' Two Devices Per Door	280 -SWTKIT/12-1413-2	280 -SWTKIT 12' Two Devices per Door
RF280 -SWTK/6-1411-1	RF280 -SWTK 6' Single Device	RF280 -SWTK/6-1413-1	RF280 -SWTK 6' Single Device
RF280 -SWTK/8-1411-1	RF280 -SWTK 8' Single Device	RF280 -SWTK/8-1413-1	RF280 -SWTK 8' Single Device
RF280 -SWTK/12-1411-1	RF280 -SWTK 12' One Device Per Door	RF280 -SWTK/12-1413-1	RF280 -SWTK 12' One Device per Door
RF280 -SWTK/6-1411-2	RF280 -SWTK 6' Dual Devices	RF280 -SWTK/6-1413-2	RF280 -SWTK 6' Dual Devices
RF280 -SWTK/8-1411-2	RF280 -SWTK 8' Dual Devices	RF280 -SWTK/8-1413-2	RF280 -SWTK 8' Dual Devices
RF280 -SWTK/12-1411-2	RF280 -SWTK 12' Two Devices Per Door	RF280 -SWTK/12-1413-2	RF280 -SWTK 12' Two Devices per Door
SF280 -SWTK/6-1411-1	SF280 -SWTK 6' Single Device	SF280 -SWTK/6-1413-1	SF280 -SWTK 6' Single Device
SF280 -SWTK/8-1411-1	SF280 -SWTK 8' Single Device	SF280 -SWTK/8-1413-1	SF280 -SWTK 8' Single Device
SF280 -SWTK/12-1411-1	SF280 -SWTK 12' One Device Per Door	SF280 -SWTK/12-1413-1	SF280 -SWTK 12' One Device per Door
SF280 -SWTK/6-1411-2	SF280 -SWTK 6' Dual Devices	SF280 -SWTK/6-1413-2	SF280 -SWTK 6' Dual Devices
SF280 -SWTK/8-1411-2	SF280 -SWTK 8' Dual Devices	SF280 -SWTK/8-1413-2	SF280 -SWTK 8' Dual Devices
SF280 -SWTK/12-1411-2	SF280 -SWTK 12' Two Devices Per Door	SF280 -SWTK/12-1413-2	SF280 -SWTK 12' Two Devices per Door
HBP200 /6-1411-1	HBP200_ 6' One Device Per Door	HBP200 /6-1413-1	HBP200_ 6' One Device Per Door
HBP200 /8-1411-1	HBP200_ 8' One Device Per Door	HBP200 /8-1413-1	HBP200_ 8' One Device Per Door
HBP200 /10-1411-1	HBP200_ 10' One Device Per Door	HBP200 /10-1413-1	HBP200_ 10' One Device Per Door
HBP200 /12-1411-1	HBP200_ 12' One Device Per Door	HBP200 /12-1413-1	HBP200_ 12' One Device Per Door
HBP200 /6-1411-2	HBP200_ 6' Two Devices Per Door	HBP200 /6-1413-2	HBP200_ 6' Two Devices Per Door
HBP200 /8-1411-2	HBP200_ 8' Two Devices Per Door	HBP200 /8-1413-2	HBP200_ 8' Two Devices Per Door
HBP200 /10-1411-2	HBP200_ 10' Two Devices Per Door	HBP200 /10-1413-2	HBP200_ 10' Two Devices Per Door
HBP200 /12-1411-2	HBP200_ 12' Two Devices Per Door	HBP200 /12-1413-2	HBP200_ 12' Two Devices Per Door

800-824-3018 | [www.pemko.com](http://www.pemko.com)

Check the web site for the up-to-date catalog

Copyright © 2015-2023, ASSA ABLOY Accessories and Door Controls Group, Inc., an ASSA ABLOY Group company. All rights reserved. Reproduction in whole or in part without the express written permission of ASSA ABLOY Accessories and Door Controls Group, Inc. is prohibited.



Experience a safer and more open world

## SOFT CLOSE FOR PEMKO BOX TRACK SYSTEMS *(Continued)*

### For Pemko H200, H180, SHS80, HBP200, and Side Wall Track (SWT) systems

Minimum Door Width 28" When Using Dual or Single Devices.

#### For doors weighing 177-200 lbs.

ITEM #	DESCRIPTION
H180 /6-1418-1	H180 6' Single Device
H180 /8-1418-1	H180 8' Single Device
H180 /10-1418-1	H180 10' Single Device
H180 /12-1418-1	H180 12' Single Device
H180 /6-1418-2	H180 6' Dual Devices
H180 /8-1418-2	H180 8' Dual Devices
H180 /10-1418-2	H180 10' Dual Devices
H180 /12-1418-2	H180 12' Dual Devices
SHS80 /6-1418-1	SHS80 6' Single Device
SHS80 /8-1418-1	SHS80 8' Single Device
SHS80 /6-1418-2	SHS80 6' Dual Devices
SHS80 /8-1418-2	SHS80 8' Dual Devices
H200 /6-1418-1	H200 6' Single Device
H200 /8-1418-1	H200 8' Single Device
H200 /10-1418-1	H200 10' Single Device
H200 /12-1418-1	H200 12' Single Device
H200 /6-1418-2	H200 6' Dual Devices
H200 /8-1418-2	H200 8' Dual Devices
H200 /10-1418-2	H200 10' Dual Devices
H200 /12-1418-2	H200 12' Dual Devices
280 -SWTKIT/6-1418-1	280 -SWTKIT 6' Single Device
280 -SWTKIT/8-1418-1	280 -SWTKIT 8' Single Device
280 -SWTKIT/12-1418-1	280 -SWTKIT 12' One Device Per Door
280 -SWTKIT/6-1418-2	280 -SWTKIT 6' Dual Devices
280 -SWTKIT/8-1418-2	280 -SWTKIT 8' Dual Devices
280 -SWTKIT/12-1418-2	280 -SWTKIT 12' Two Devices Per Door
RF280 -SWTK/6-1418-1	RF280 -SWTK 6' Single Device
RF280 -SWTK/8-1418-1	RF280 -SWTK 8' Single Device
RF280 -SWTK/12-1418-1	RF280 -SWTK 12' One Device Per Door
RF280 -SWTK/6-1418-2	RF280 -SWTK 6' Dual Devices
RF280 -SWTK/8-1418-2	RF280 -SWTK 8' Dual Devices
RF280 -SWTK/12-1418-2	RF280 -SWTK 12' Two Devices Per Door
SF280 -SWTK/6-1418-1	SF280 -SWTK 6' Single Device
SF280 -SWTK/8-1418-1	SF280 -SWTK 8' Single Device
SF280 -SWTK/12-1418-1	SF280 -SWTK 12' One Device Per Door
SF280 -SWTK/6-1418-2	SF280 -SWTK 6' Dual Devices
SF280 -SWTK/8-1418-2	SF280 -SWTK 8' Dual Devices
SF280 -SWTK/12-1418-2	SF280 -SWTK 12' Two Devices Per Door
HBP200 /6-1418-1	HBP200 6' One Device Per Door
HBP200 /8-1418-1	HBP200 8' One Device Per Door
HBP200 /10-1418-1	HBP200 10' One Device Per Door
HBP200 /12-1418-1	HBP200 12' One Device Per Door
HBP200 /6-1418-2	HBP200 6' Two Devices Per Door
HBP200 /8-1418-2	HBP200 8' Two Devices Per Door
HBP200 /10-1418-2	HBP200 10' Two Devices Per Door
HBP200 /12-1418-2	HBP200 12' Two Devices Per Door

## SOFT CLOSE FOR PEMKO FLAT TRACK SYSTEMS

### For Pemko Designer Series Flat Track Sliding Door Hardware

Minimum Door Width Using Single Device 15".

22" Minimum Door Width When Using Dual Devices.

#### For doors weighing 88 - 132 lbs.

ITEM #	DESCRIPTION
DSG-FT-03 /6-1411-1	DSG-FT-03 6' Single Soft Close Device
DSG-FT-03 /8-1411-1	DSG-FT-03 8' Single Soft Close Device
DSG-FT-03 /6-1411-2	DSG-FT-03 6' Dual Soft Close Device
DSG-FT-03 /8-1411-2	DSG-FT-03 8' Dual Soft Close Device
DSG-FT-04 /6-1411-1	DSG-FT-04 6' Single Soft Close Device
DSG-FT-04 /8-1411-1	DSG-FT-04 8' Single Soft Close Device
DSG-FT-04 /6-1411-2	DSG-FT-04 6' Dual Soft Close Devices
DSG-FT-04 /8-1411-2	DSG-FT-04 8' Dual Soft Close Devices
DSG-FT-05 /6-1411-1	DSG-FT-05 6' Single Soft Close Device
DSG-FT-05 /8-1411-1	DSG-FT-05 8' Single Soft Close Device
DSG-FT-05 /6-1411-2	DSG-FT-05 6' Dual Soft Close Devices
DSG-FT-05 /8-1411-2	DSG-FT-05 8' Dual Soft Close Devices
DSG-FT-06 /6-1411-1	DSG-FT-06 6' Single Soft Close Device
DSG-FT-06 /8-1411-1	DSG-FT-06 8' Single Soft Close Device
DSG-FT-06 /6-1411-2	DSG-FT-06 6' Dual Soft Close Devices
DSG-FT-06 /8-1411-2	DSG-FT-06 8' Dual Soft Close Devices

#### For doors weighing 133-176 lbs.

ITEM #	DESCRIPTION
DSG-FT-03 /6-1413-1	DSG-FT-03 6' Single Soft Close Device
DSG-FT-03 /8-1413-1	DSG-FT-03 8' Single Soft Close Device
DSG-FT-03 /6-1413-2	DSG-FT-03 6' Dual Soft Close Device
DSG-FT-03 /8-1413-2	DSG-FT-03 8' Dual Soft Close Device
DSG-FT-04 /6-1413-1	DSG-FT-04 6' Single Soft Close Device
DSG-FT-04 /8-1413-1	DSG-FT-04 8' Single Soft Close Device
DSG-FT-04 /6-1413-2	DSG-FT-04 6' Dual Soft Close Devices
DSG-FT-04 /8-1413-2	DSG-FT-04 8' Dual Soft Close Devices
DSG-FT-05 /6-1413-1	DSG-FT-05 6' Single Soft Close Device
DSG-FT-05 /8-1413-1	DSG-FT-05 8' Single Soft Close Device
DSG-FT-05 /6-1413-2	DSG-FT-05 6' Dual Soft Close Devices
DSG-FT-05 /8-1413-2	DSG-FT-05 8' Dual Soft Close Devices
DSG-FT-06 /6-1413-1	DSG-FT-06 6' Single Soft Close Device
DSG-FT-06 /8-1413-1	DSG-FT-06 8' Single Soft Close Device
DSG-FT-06 /6-1413-2	DSG-FT-06 6' Dual Soft Close Devices
DSG-FT-06 /8-1413-2	DSG-FT-06 8' Dual Soft Close Devices

#### For doors weighing 177-240 lbs.

ITEM #	DESCRIPTION
DSG-FT-03 /6-1418-1	DSG-FT-03 6' Single Soft Close Device
DSG-FT-03 /8-1418-1	DSG-FT-03 8' Single Soft Close Device
DSG-FT-03 /6-1418-2	DSG-FT-03 6' Dual Soft Close Device
DSG-FT-03 /8-1418-2	DSG-FT-03 8' Dual Soft Close Device
DSG-FT-04 /6-1418-1	DSG-FT-04 6' Single Soft Close Device
DSG-FT-04 /8-1418-1	DSG-FT-04 8' Single Soft Close Device
DSG-FT-04 /6-1418-2	DSG-FT-04 6' Dual Soft Close Devices
DSG-FT-04 /8-1418-2	DSG-FT-04 8' Dual Soft Close Devices
DSG-FT-05 /6-1418-1	DSG-FT-05 6' Single Soft Close Device
DSG-FT-05 /8-1418-1	DSG-FT-05 8' Single Soft Close Device
DSG-FT-05 /6-1418-2	DSG-FT-05 6' Dual Soft Close Devices
DSG-FT-05 /8-1418-2	DSG-FT-05 8' Dual Soft Close Devices
DSG-FT-06 /6-1418-1	DSG-FT-06 6' Single Soft Close Device
DSG-FT-06 /8-1418-1	DSG-FT-06 8' Single Soft Close Device
DSG-FT-06 /6-1418-2	DSG-FT-06 6' Dual Soft Close Devices
DSG-FT-06 /8-1418-2	DSG-FT-06 8' Dual Soft Close Devices

**PEMKO**  
**ASSA ABLOY**

Experience a safer  
and more open world

## SOFT CLOSE FOR PEMKO FLAT TRACK SYSTEMS

### For Pemko Builders Series Flat Track Sliding Door Hardware

Minimum Door Width Using Single Device 15".  
22" Minimum Door Width When Using Dual Devices.

#### For doors weighing 88 - 132 lbs.

ITEM #	DESCRIPTION
BLD-FT-01 /6-1411-1	BLD-FT-01_ 6' Single Device
BLD-FT-01 /8-1411-1	BLD-FT-01_ 8' Single Device
BLD-FT-01 /6-1411-2	BLD-FT-01_ 6' Dual Devices
BLD-FT-01 /8-1411-2	BLD-FT-01_ 8' Dual Devices
BLD-FT-02 /6-1411-1	BLD-FT-02_ 6' Single Device
BLD-FT-02 /8-1411-1	BLD-FT-02_ 8' Single Device
BLD-FT-02 /6-1411-2	BLD-FT-02_ 6' Dual Devices
BLD-FT-02 /8-1411-2	BLD-FT-02_ 8' Dual Devices

#### For doors weighing 133-176 lbs.

ITEM #	DESCRIPTION
BLD-FT-01 /6-1413-1	BLD-FT-01_ 6' Single Device
BLD-FT-01 /8-1413-1	BLD-FT-01_ 8' Single Device
BLD-FT-01 /6-1413-2	BLD-FT-01_ 6' Dual Devices
BLD-FT-01 /8-1413-2	BLD-FT-01_ 8' Dual Devices
BLD-FT-02 /6-1413-1	BLD-FT-02_ 6' Single Device
BLD-FT-02 /8-1413-1	BLD-FT-02_ 8' Single Device
BLD-FT-02 /6-1413-2	BLD-FT-02_ 6' Dual Devices
BLD-FT-02 /8-1413-2	BLD-FT-02_ 8' Dual Devices

#### For doors weighing 177-240 lbs.

ITEM #	DESCRIPTION
BLD-FT-01 /6-1418-1	BLD-FT-01_ 6' Single Device
BLD-FT-01 /8-1418-1	BLD-FT-01_ 8' Single Device
BLD-FT-01 /6-1418-2	BLD-FT-01_ 6' Dual Devices
BLD-FT-01 /8-1418-2	BLD-FT-01_ 8' Dual Devices
BLD-FT-02 /6-1418-1	BLD-FT-02_ 6' Single Device
BLD-FT-02 /8-1418-1	BLD-FT-02_ 8' Single Device
BLD-FT-02 /6-1418-2	BLD-FT-02_ 6' Dual Devices
BLD-FT-02 /8-1418-2	BLD-FT-02_ 8' Dual Devices

## SOFT CLOSE RETROFIT KITS

### For Designer Series Systems

ITEM #	DESCRIPTION
DSG1411-1	Single Device 88-132 lbs.
DSG1411-2	Dual Devices 88-132 lbs.
DSG1413-1	Single Device 133-176 lbs.
DSG1413-2	Dual Devices 133-176 lbs.
DSG1418-1	Single Device 177-240 lbs.
DSG1418-2	Dual Devices 177-240 lbs.

**Finishes:** add IS for Industrial Steel finish  
add BSP for Black Suede finish  
add SS for Stainless Steel finish

### For Builders Series Systems

ITEM #	DESCRIPTION
BLD1411-1	Single Device 88-132 lbs.
BLD1411-2	Dual Devices 88-132 lbs.
BLD1413-1	Single Device 133-176 lbs.
BLD1413-2	Dual Devices 133-176 lbs.
BLD1418-1	Single Device 177-240 lbs.
BLD1418-2	Dual Devices 177-240 lbs.

**Finishes:** add C for IS finish  
add D for BSP finish

### For Box Track Systems

ITEM #	DESCRIPTION
SC1411-1	Single Device 88-132 lbs.
SC1411-2	Dual Devices 88-132 lbs.
SC1413-1	Single Device 133-176 lbs.
SC1413-2	Dual Devices 133-176 lbs.
SC1418-1	Single Device 177-240 lbs.
SC1418-2	Dual Devices 177-240 lbs.

## SOFT CLOSE POCKET FRAME KIT

**PF134KIT must be ordered when using 1-3/4" thick doors in 2x4 stud constructed walls.**

Wood 2x4 Stud Constructed Walls	Wood 2x6 Stud Constructed Walls	Metal 2x6 Stud Constructed Walls	Net Door Size	Options
SC-PF28200A7280	SC-PF28200A7280-2x6	SC-PF28200A7280-SP6	3'0" x 6'8"	PFAS84, PFCDKIT for Bi-Parting door openings
SC-PF28200A9680	SC-PF28200A9680-2x6	SC-PF28200A9680-SP6	4'0" x 6'8"	PFAS84, PFCDKIT for Bi-Parting door openings
SC-PF28200A7284	SC-PF28200A7284-2x6	SC-PF28200A7284-SP6	3'0" x 7'0"	PFAS88, PFCDKIT for Bi-Parting door openings
SC-PF28200A9684	SC-PF28200A9684-2x6	SC-PF28200A9684-SP6	4'0" x 7'0"	PFAS88, PFCDKIT for Bi-Parting door openings
SC-PF28200A7296	SC-PF28200A7296-2x6	SC-PF28200A7296-SP6	3'0" x 8'0"	PFAS100, PFCDKIT for Bi-Parting door openings
SC-PF28200A9696	SC-PF28200A9696-2x6	SC-PF28200A9696-SP6	4'0" x 8'0"	PFAS100, PFCDKIT for Bi-Parting door openings

800-824-3018 | www.pemko.com

Check the web site for the up-to-date catalog

Copyright © 2015-2023, ASSA ABLOY Accessories and Door Controls Group, Inc., an ASSA ABLOY Group company. All rights reserved.  
Reproduction in whole or in part without the express written permission of ASSA ABLOY Accessories and Door Controls Group, Inc. is prohibited.

**PEMKO**  
**ASSA ABLOY**

Experience a safer  
and more open world



Experience a safer  
and more open world

800-824-3018 | [www.pemko.com](http://www.pemko.com)  
*Check the web site for the up-to-date catalog*

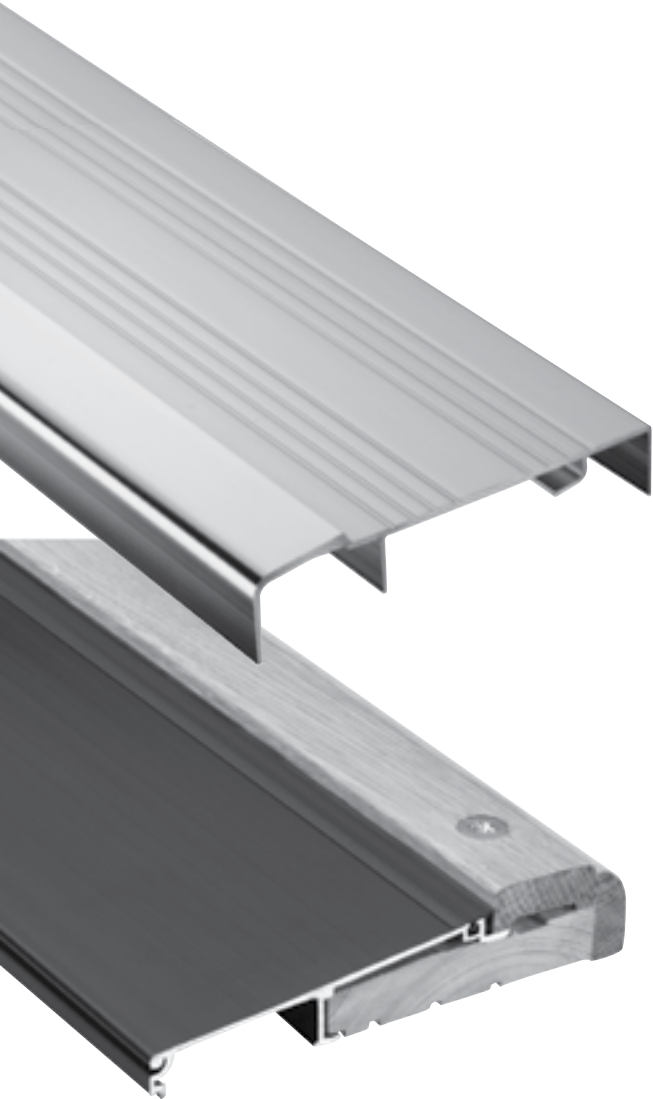
Copyright © 2015-2023, ASSA ABLOY Accessories and Door Controls Group, Inc., an ASSA ABLOY Group company. All rights reserved.  
Reproduction in whole or in part without the express written permission of ASSA ABLOY Accessories and Door Controls Group, Inc. is prohibited.



# RESIDENTIAL THRESHOLDS

## CONTENTS:

Interlocking Thresholds and Caps .....	274
Interlocking Thresholds - Water Return .....	275
Interlocking Hooks.....	275
Adjustable Eco-V™ Top Thresholds .....	276
Eco-V™ Top Thresholds.....	276
Residential Saddles.....	276
Bumper Thresholds for Outswing Doors .....	277
Squareback Thresholds .....	277
Oak Thresholds.....	278
Sill Nosings .....	278
Adjustable Aluminum Top Sills.....	279
Adjustable Oak Top Sills.....	280
Outswing Adjustable Oak Top Sills.....	281
Residential All-Aluminum Adjustable Sills.....	281
Fixed Eco-V™ Top Residential Sills .....	282
Residential All-Aluminum Fixed Sills.....	282
Outswing Fixed Bumper Sills.....	283
Extenders For All Residential Sills.....	283



## INDEX:

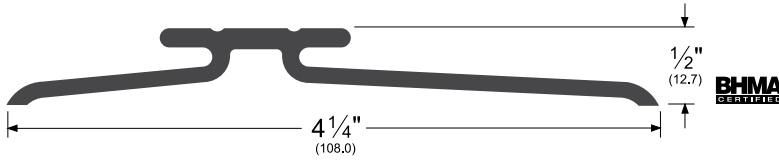
<u>PRODUCT</u>	<u>PAGE</u>	<u>PRODUCT</u>	<u>PAGE</u>	<u>PRODUCT</u>	<u>PAGE</u>
61 .....	275	218OAK .....	278	74518 .....	281
66.....	275	219.....	276	75518 .....	281
101.....	274	219OAK .....	278	84514.....	282
108.....	274	249.....	276	85514 .....	282
110.....	274	250 .....	276	94518.....	279
114.....	274	324.....	278	94518_W .....	280
120.....	274	326.....	278	95518 .....	279
136.....	275	327.....	278	95518_W .....	280
142.....	275	2051 .....	277	EXT2.....	283
145.....	275	2052 .....	277	EXT3.....	283
146.....	275	2053 .....	277	EXT3/4 .....	283
149.....	277	2054 .....	277	N84518.....	282
206 .....	276	2500W.....	278	N85518.....	282
208 .....	276	3261 .....	278	OS95518.....	281
212.....	276	8451 .....	283		
218.....	276	8452.....	283		

## INTERLOCKING THRESHOLDS

- All interlocking thresholds (including water return types) and caps are furnished with #61 hooks and nails
- For alternate hooks, see following page

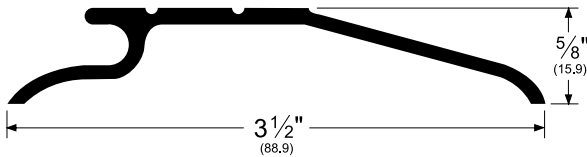
114\_

AVAILABLE FINISHES: A, B, D



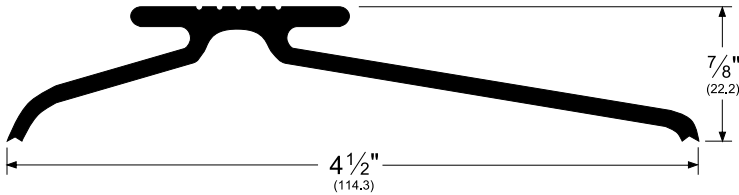
110\_

AVAILABLE FINISHES: A, B, D



120\_

AVAILABLE FINISHES: B

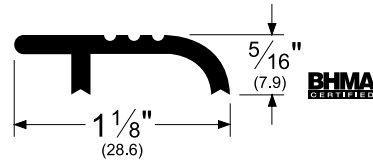


## THRESHOLD CAPS

- Typically mounted on an existing saddle-type threshold to create an interlock with a J-hook or L-hook

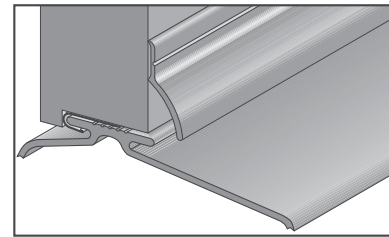
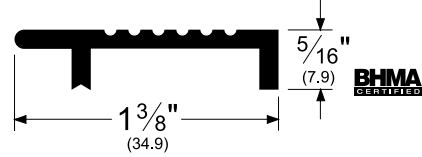
101\_

AVAILABLE FINISHES: A, B, D  
ANSI: J34170



108\_

AVAILABLE FINISH: B  
ANSI: J14170



NOTE: Products shown in this section may not be drawn to scale.

AVAILABLE FINISHES FOR PRODUCTS SHOWN ON THIS PAGE

A (Mill Finish Aluminum) B (Mill Finish Extruded Bronze [Brass]) D (Dark Bronze Anodized)

**PEMKO**  
**ASSA ABLOY**

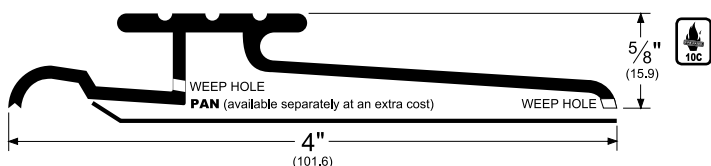
Experience a safer  
and more open world

## INTERLOCKING THRESHOLDS - WATER RETURN

- Water return thresholds are designed to catch water which may blow or run under the door and return it to the outside through interior weep holes, down the sloped drain pan, and out exterior weep holes
- Product number for the aluminum water return pan is **PAN**
- Products are furnished with #61 hooks and nails

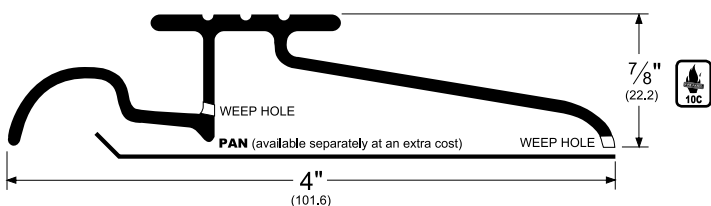
### 142\_

AVAILABLE FINISHES: A, D



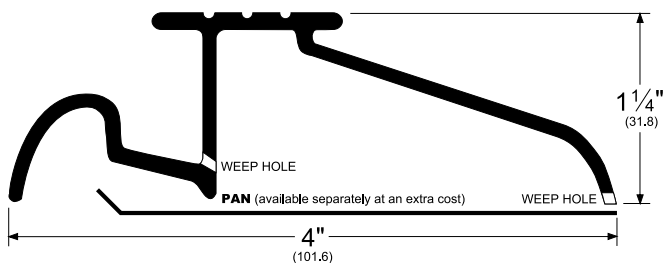
### 145\_

AVAILABLE FINISHES: A, B, D



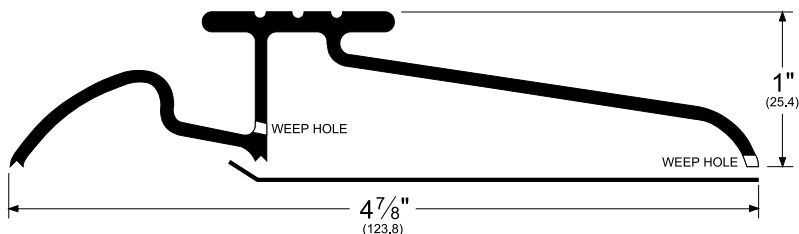
### 146\_

AVAILABLE FINISHES: B



### 136\_

AVAILABLE FINISHES: A, B, D



NOTE: Products shown in this section may not be drawn to scale.

AVAILABLE FINISHES FOR PRODUCTS SHOWN ON THIS PAGE

A (Mill Finish Aluminum) B (Mill Finish Extruded Bronze [Brass]) D (Dark Bronze Anodized)  
For Hooks: B (Bronze) Z (Steel)

800-824-3018 | [www.pemko.com](http://www.pemko.com)

Check the web site for the up-to-date catalog

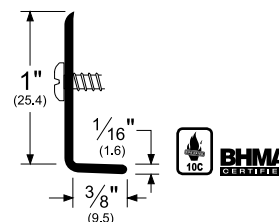
Copyright © 2015-2023, ASSA ABLOY Accessories and Door Controls Group, Inc., an ASSA ABLOY Group company. All rights reserved.  
Reproduction in whole or in part without the express written permission of ASSA ABLOY Accessories and Door Controls Group, Inc. is prohibited.

## Hooks

- When installed properly on bottom of door, hooks interlock with threshold for a superior seal
- When substituting #66 hook for #61 hooks, price will be increased accordingly. Contact Pemko Customer Service

### 66\_

AVAILABLE FINISHES: A, B, D



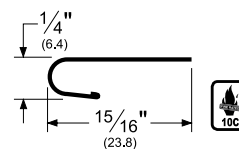
### \_61

AVAILABLE FINISHES: B, Z

.018 bronze

.015 steel

NOTE: B61 is roll form bronze metal



**PEMKO**  
**ASSA ABLOY**

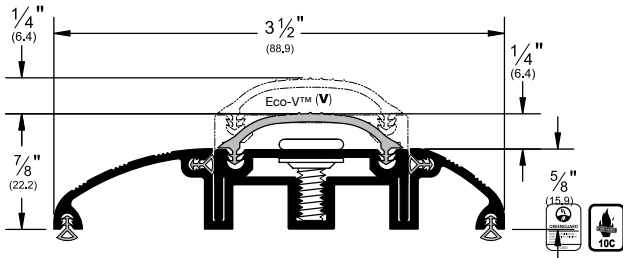
Experience a safer  
and more open world

## ADJUSTABLE ECO-V™ TOP THRESHOLDS

- Furnished with concealed, weather-sealed mounting screws and adjustment mechanism
- Eco-V™ seal adjusts to overcome swelling and/or shrinking of door and floor and eliminates need for shoe or sweep
- Furnished with Eco-V™ (V) insert. Gray replacement Eco-V™ is **PV64GR** (see Weatherization Products section)
- Eco-V™ replacement "foot" insert is **EV63GR**
- Pre-assembled for easy installation and adjustment

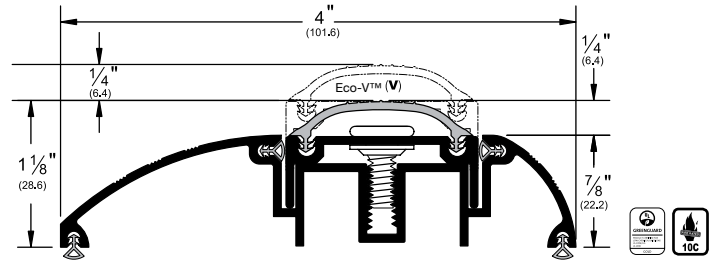
### 249\_V

AVAILABLE FINISHES: A, D  
AVAILABLE LENGTHS: **36", 72"**



### 250\_V

AVAILABLE FINISHES: A, D  
AVAILABLE LENGTHS: **36", 72"**

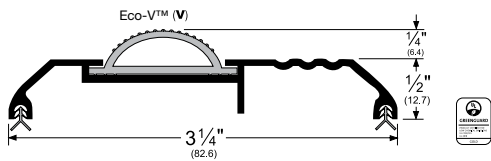


## ECO-V™ TOP THRESHOLDS

- Eco-V™ (V) top creates a seal at the bottom of the door, eliminating the need for door sweeps or door shoes
- Eco-V™ feet replacement insert is **EV12GR**

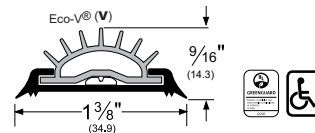
### 206\_V

AVAILABLE FINISHES: A, D  
Gray replacement Eco-V™ is **EV22GR**  
Black replacement Eco-V™ is **EV22BL**



### 208\_V

AVAILABLE FINISHES: A, D  
Replacement Eco-V™ is **EV15BL** or **EV15GR**

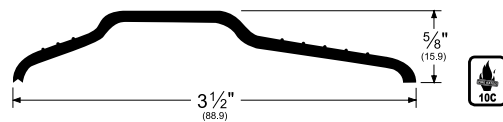


## RESIDENTIAL SADDLES

- Use a door bottom shoe or sweep with these thresholds to seal out the elements
- Made of sturdy extruded aluminum
- Replacement Eco-V™ feet (where applicable) is **EV12GR**

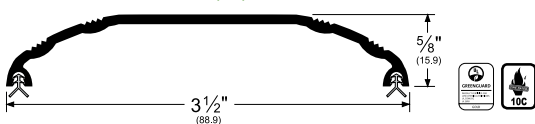
### 212\_

AVAILABLE FINISHES: A, D



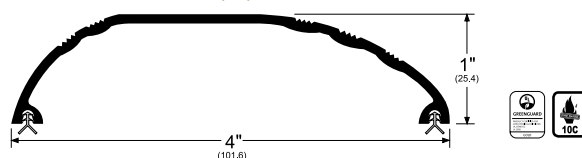
### 218\_

AVAILABLE FINISHES: A, D, SN



### 219\_

AVAILABLE FINISHES: A, D, SN



NOTE: Products shown in this section may not be drawn to scale.

AVAILABLE FINISHES FOR PRODUCTS SHOWN ON THIS PAGE  
A (Mill Finish Aluminum) D (Dark Bronze Anodized) SN (Satin Nickel Anodized)

**PEMKO**  
**ASSA ABLOY**

Experience a safer  
and more open world

800-824-3018 | [www.pemko.com](http://www.pemko.com)  
Check the web site for the up-to-date catalog

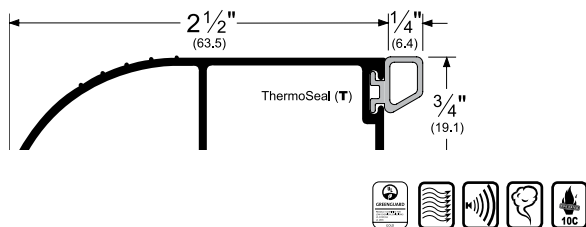
Copyright © 2015-2023, ASSA ABLOY Accessories and Door Controls Group, Inc., an ASSA ABLOY Group company. All rights reserved.  
Reproduction in whole or in part without the express written permission of ASSA ABLOY Accessories and Door Controls Group, Inc. is prohibited.

## BUMPER THRESHOLDS FOR OUTSWING DOORS

- In the closed position, the door butts up to bumper seal on threshold creating a seal against the elements

### 149\_T

AVAILABLE FINISHES: A, D  
REPLACEMENT INSERT: T5 (BL)



#### Alternate Insert For 149

### 149\_P

AVAILABLE FINISHES:  
A, D  
REPLACEMENT INSERT:  
P2 (BL, GR)



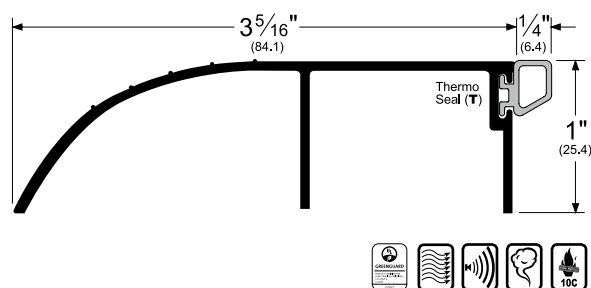
### 149\_V

AVAILABLE FINISHES:  
A, D  
REPLACEMENT INSERT:  
EV41 (BL, GR, W)



### 2051\_T

AVAILABLE FINISHES: A, D  
REPLACEMENT INSERT: T5 (BL)



#### Alternate Insert For 2051

### 2051\_P

AVAILABLE FINISHES:  
A, D  
REPLACEMENT INSERT:  
P2 (BL, GR)



### 2051\_V

AVAILABLE FINISHES:  
A, D  
REPLACEMENT INSERT:  
EV41 (BL, GR, W)



## SQUAREBACK THRESHOLDS

- Replacement Eco-V™ feet (where applicable) is **EV12GR**
- Interior support leg flushes with interior jamb in application, allowing flooring to squarely abut threshold
- Ideal for tall terra cotta, plush carpet or stone paver entry applications for smooth transition

- Gently sloping and ribbed exterior ramp eliminates trip hazard while providing maximum rain guard. (Be sure to caulk all support legs or lay in mastic for best seal)
- Center support leg provides for engineered threshold stability

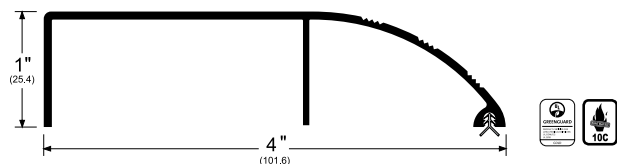
### 2052\_

AVAILABLE FINISHES: A, D



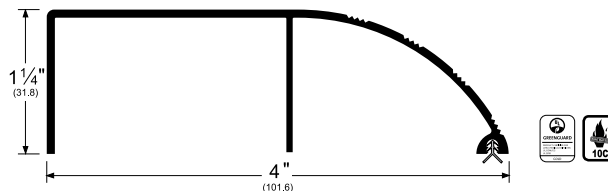
### 2053\_

AVAILABLE FINISHES: A, D



### 2054\_

AVAILABLE FINISHES: A, D



NOTE: Products shown in this section may not be drawn to scale.

AVAILABLE FINISHES FOR PRODUCTS SHOWN ON THIS PAGE  
A (Mill Finish Aluminum) D (Dark Bronze Anodized)

800-824-3018 | www.pemko.com

Check the web site for the up-to-date catalog

Copyright © 2015-2023, ASSA ABLOY Accessories and Door Controls Group, Inc., an ASSA ABLOY Group company. All rights reserved. Reproduction in whole or in part without the express written permission of ASSA ABLOY Accessories and Door Controls Group, Inc. is prohibited.

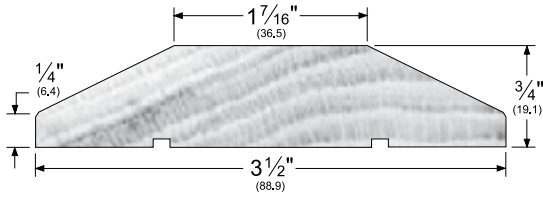
**PEMKO**  
**ASSA ABLOY**

Experience a safer  
and more open world

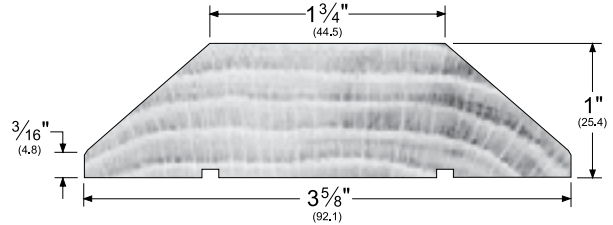
## OAK THRESHOLDS

- Natural unfinished oak provides beauty as well as thermal benefits
- Available in 36" or 72" lengths only

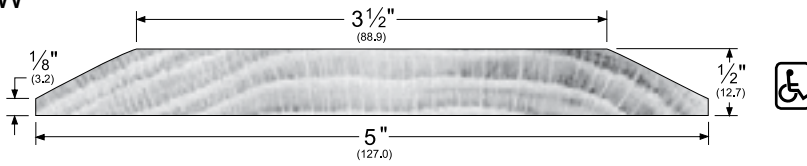
### 218OAK



### 219OAK



### 2500W

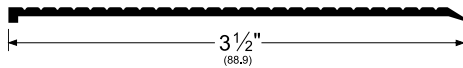


## SILL NOSINGS

- Used to cover concrete or wood sill
- Provides an attractive finished look to new and old door openings, covering defects in existing sill
- Sill nosings are held in place with mastic and pressure from threshold placement

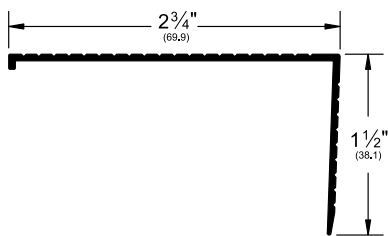
### 324\_

AVAILABLE FINISHES: A, B, D



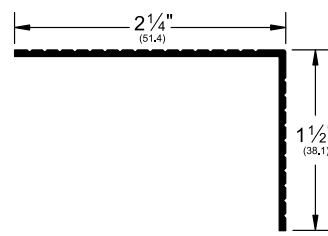
### 326\_

AVAILABLE FINISHES: A, B, D, SN



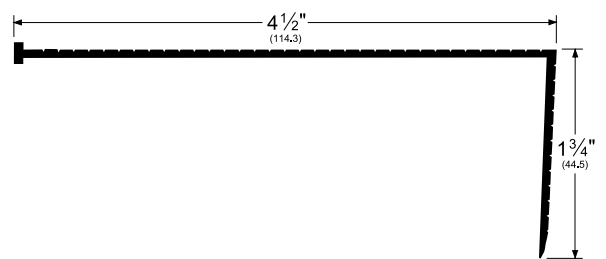
### 3261\_

AVAILABLE FINISHES: A, D, SN



### 327\_

AVAILABLE FINISHES: A, D, PW, SN



NOTE: Products shown in this section may not be drawn to scale.

AVAILABLE FINISHES FOR PRODUCTS SHOWN ON THIS PAGE

A (Mill Finish Aluminum) B (Mill Finish Extruded Bronze [Brass]) D (Dark Bronze Anodized Aluminum) PW (Painted White Aluminum) SN (Satin Nickel Anodized Aluminum) OAK (Natural Unfinished Oak) W (Solid Oak)



Experience a safer and more open world

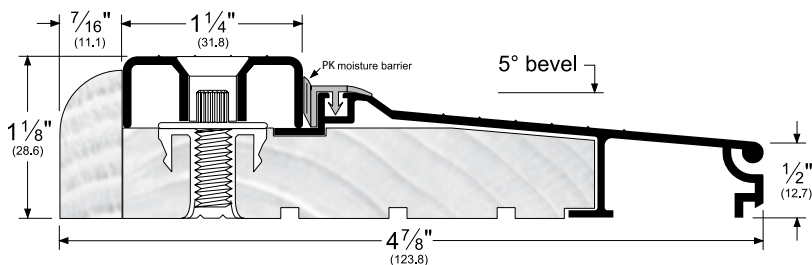
## RESIDENTIAL MILLWORK SILLS

- Silks for use with standard  $4\frac{5}{8}$ " jamb width with easy snap-on extension for jambs as wide as  $8\frac{3}{4}$ "
- For fabrication options for adjustable or fixed substrate silks, such as horning or sidelite mullion notching, contact Pemko Customer Service
- Residential Silks are designed specifically for the pre-hung door market. They are furnished un-drilled and without screws or nails
- Adjustable up to  $\frac{1}{4}$ " to compensate for uneven door bottoms and sub-sill level changes. Two-part zinc plated steel stud shoulder screw joins a long-barreled, zinc plated steel T-nut for superior stability and long-lasting reliability
- PemkoPrene (**PK**) moisture barrier prevents water intrusion. Design of PemkoPrene (**PK**) bulb configuration keeps constant pressure between aluminum cap and aluminum extrusion at any level of adjustment (bulb shown compressed). Replacement insert is **PK74BL**
- Available in standard sizes 32.5", 36.5", and 73.75"

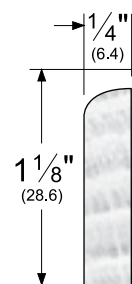
## ADJUSTABLE ALUMINUM TOP SILLS

### 94518\_

AVAILABLE FINISHES: A, D

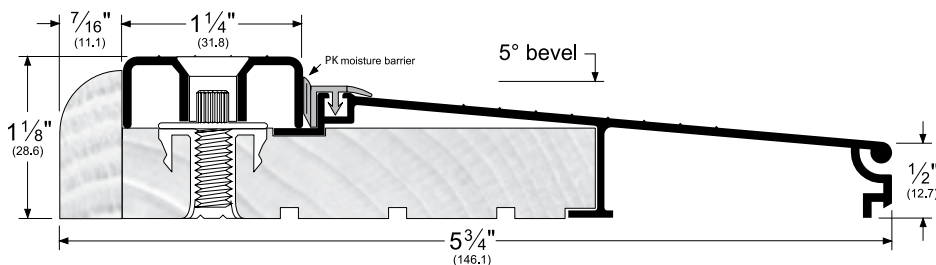


Add "NT" to the end of product number to order narrow trim (i.e. 94518A36.5NT). Full width of sill changes from  $4\frac{7}{8}$ " to  $4\frac{11}{16}$ ".

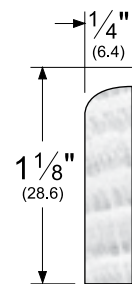


### 95518\_

AVAILABLE FINISHES: A, D



Add "NT" to the end of product number to order narrow trim (i.e. 95518A36.5NT). Full width of sill changes from  $5\frac{3}{4}$ " to  $5\frac{9}{16}$ ".



NOTE: Products shown in this section may not be drawn to scale.

AVAILABLE FINISHES FOR PRODUCTS SHOWN ON THIS PAGE  
**A** (Mill Finish Aluminum) **D** (Dark Bronze Anodized)

800-824-3018 | [www.pemko.com](http://www.pemko.com)

Check the web site for the up-to-date catalog

Copyright © 2015-2023, ASSA ABLOY Accessories and Door Controls Group, Inc., an ASSA ABLOY Group company. All rights reserved. Reproduction in whole or in part without the express written permission of ASSA ABLOY Accessories and Door Controls Group, Inc. is prohibited.

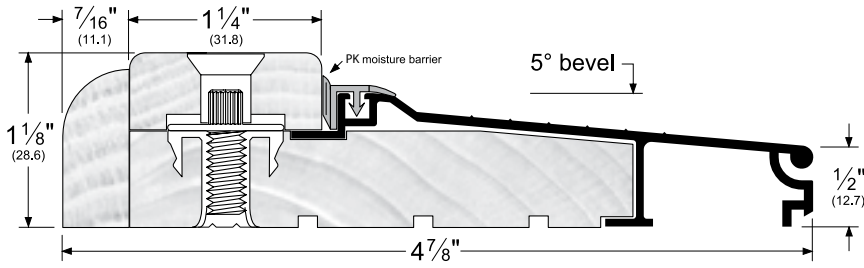
**PEMKO**  
**ASSA ABLOY**

Experience a safer  
 and more open world

# ADJUSTABLE OAK TOP SILLS

## 94518\_W

AVAILABLE FINISHES: A, D

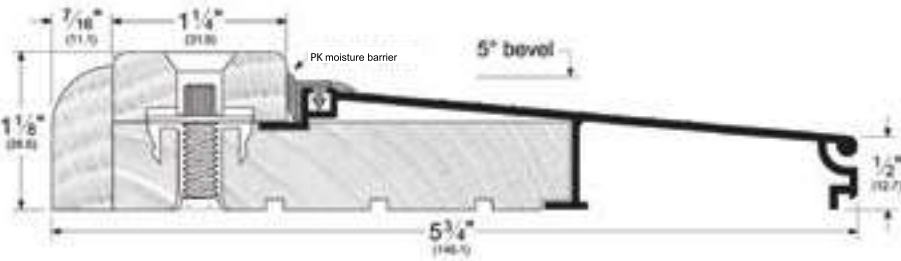


Add "NT" to the end of product number to order narrow trim (i.e. 94518AW36.5NT). Full width of sill changes from 4 7/8" to 4 11/16".

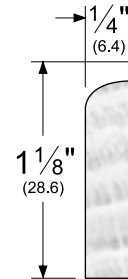


## 95518\_W

AVAILABLE FINISHES: A, D



Add "NT" to the end of product number to order narrow trim (i.e. 95518AW36.5NT). Full width of sill changes from 5 3/4" to 5 9/16".



NOTE: Products shown in this section may not be drawn to scale.

AVAILABLE FINISHES FOR PRODUCTS SHOWN ON THIS PAGE

A (Mill Finish Aluminum) D (Dark Bronze Anodized)



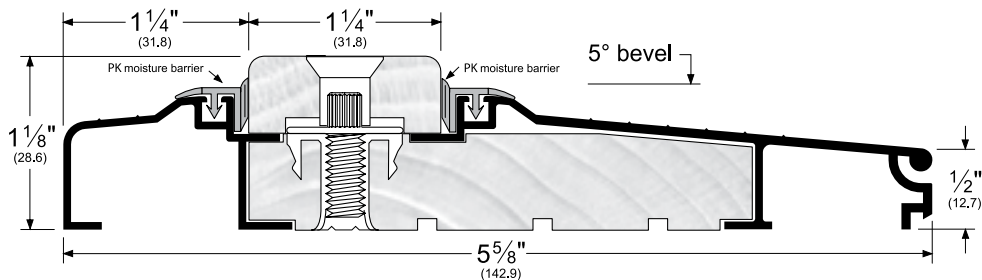
Experience a safer and more open world



## OUTSWING ADJUSTABLE OAK TOP SILLS

OS95518\_W

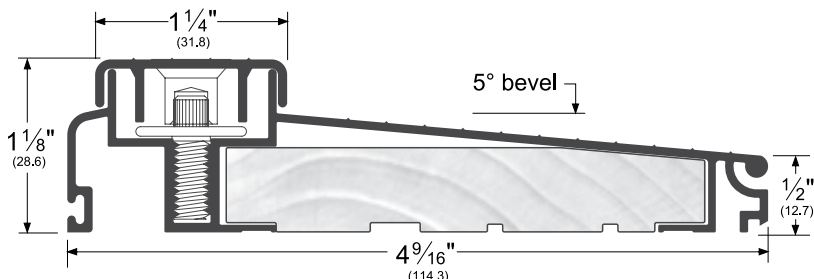
AVAILABLE FINISHES: A, D



## RESIDENTIAL ALL-ALUMINUM ADJUSTABLE SILLS

74518\_

AVAILABLE FINISHES: A, D



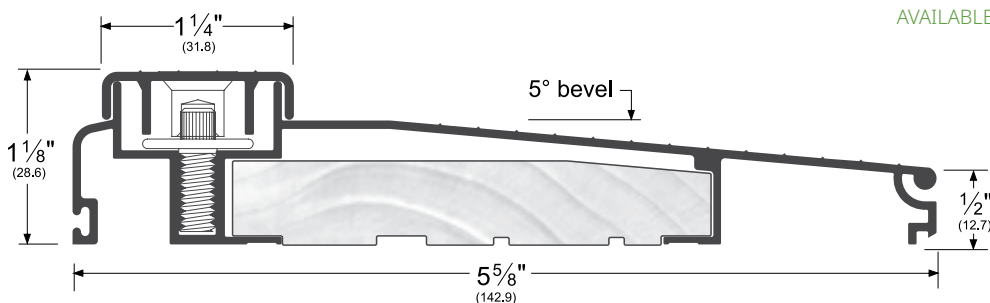
Available with optional Synthetic Wood Substrate

74518\_SYN

AVAILABLE FINISHES: A, D

75518\_

AVAILABLE FINISHES: A, D



Available with optional Synthetic Wood Substrate

75518\_SYN

AVAILABLE FINISHES: A, D

NOTE: Products shown in this section may not be drawn to scale.

AVAILABLE FINISHES FOR PRODUCTS SHOWN ON THIS PAGE  
A (Mill Finish Aluminum) D (Dark Bronze Anodized)

800-824-3018 | [www.pemko.com](http://www.pemko.com)

Check the web site for the up-to-date catalog

Copyright © 2015-2023, ASSA ABLOY Accessories and Door Controls Group, Inc., an ASSA ABLOY Group company. All rights reserved. Reproduction in whole or in part without the express written permission of ASSA ABLOY Accessories and Door Controls Group, Inc. is prohibited.

**PEMKO**  
**ASSA ABLOY**

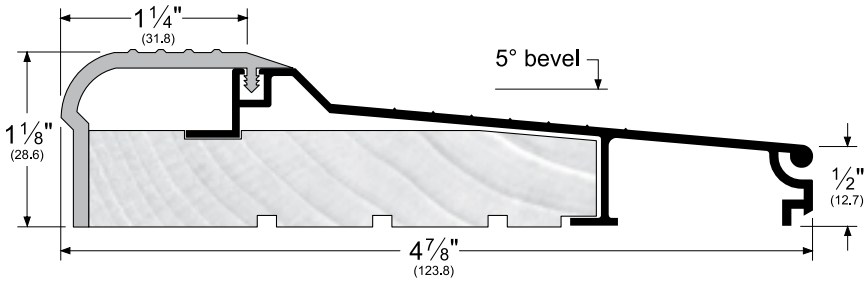
Experience a safer  
and more open world

## FIXED ECO-V™ TOP RESIDENTIAL SILLS

- Fixed rigid Eco-V™ (V) cap includes ratchet lock feature which prevents moisture penetration and securely fastens Eco-V™ to aluminum extrusion

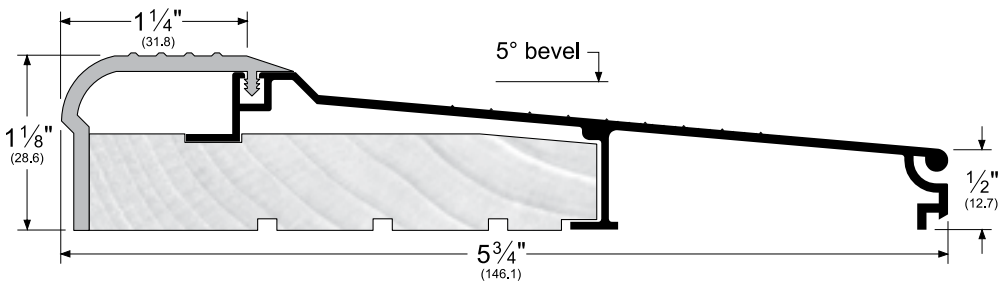
### N84518\_V

AVAILABLE FINISHES: A, D



### N85518\_V

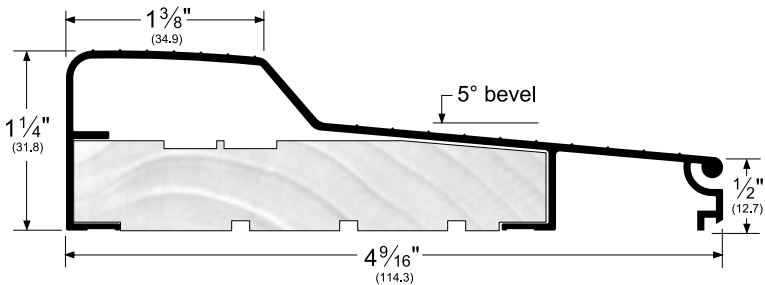
AVAILABLE FINISHES: A, D



## RESIDENTIAL ALL-ALUMINUM FIXED SILLS

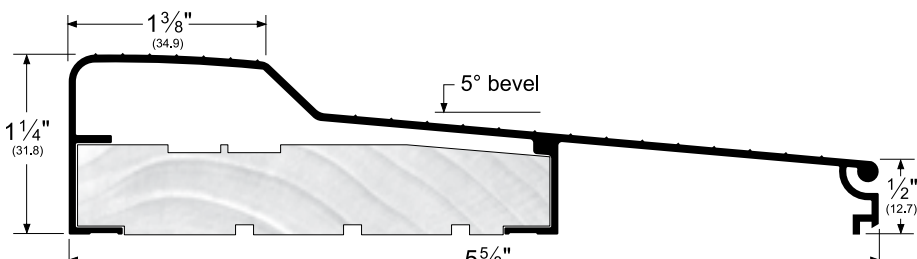
### 84514\_

AVAILABLE FINISHES: A, D



### 85514\_

AVAILABLE FINISHES: A, D



NOTE: Products shown in this section may not be drawn to scale.

AVAILABLE FINISHES FOR PRODUCTS SHOWN ON THIS PAGE  
 A (Mill Finish Aluminum) D (Dark Bronze Anodized)



Experience a safer  
and more open world

Copyright © 2015-2023, ASSA ABLOY Accessories and Door Controls Group, Inc., an ASSA ABLOY Group company. All rights reserved. Reproduction in whole or in part without the express written permission of ASSA ABLOY Accessories and Door Controls Group, Inc. is prohibited.

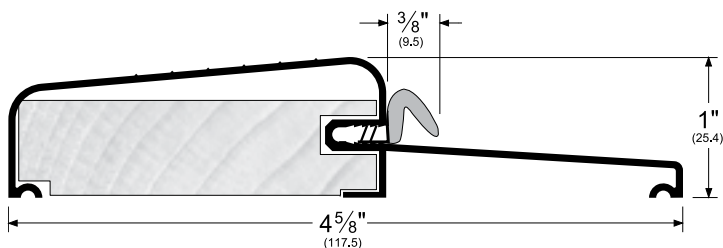
800-824-3018 | www.pemko.com  
 Check the web site for the up-to-date catalog

## OUTSWING FIXED BUMPER SILLS

- High dam design restricts water intrusion
- Supplied with high quality Q103 (Q) kerf-in seal
- 8452\_Q is extendable to interior

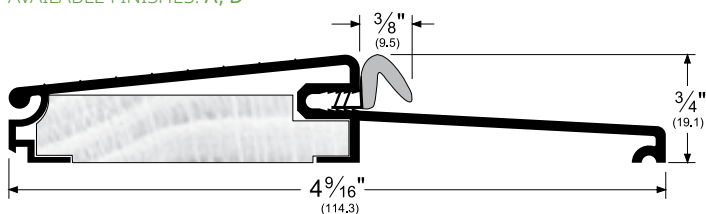
### 8451\_Q

AVAILABLE FINISHES: A, D



### 8452\_Q

AVAILABLE FINISHES: A, D

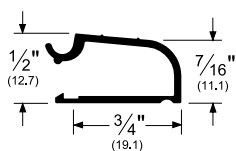


## EXTENDERS FOR ALL RESIDENTIAL SILLS

- Extenders fit all 4 7/8" wide and 5 3/4" wide extrusions
- Extenders are available for jambs as wide as 8 3/4"
- Not for use with 8451\_Q

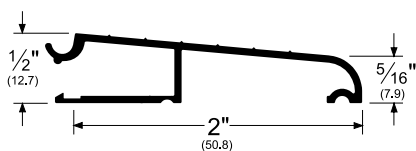
### EXT3/4\_

AVAILABLE FINISHES  
A, D



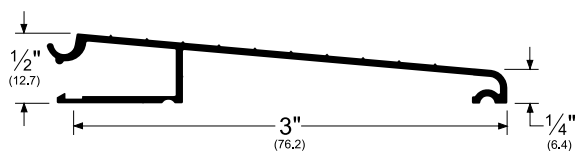
### EXT2\_

AVAILABLE FINISHES:  
A, D



### EXT3\_

AVAILABLE FINISHES:  
A, D



NOTE: Products shown in this section may not be drawn to scale.

AVAILABLE FINISHES FOR PRODUCTS SHOWN ON THIS PAGE

A (Mill Finish Aluminum) D (Dark Bronze Anodized)

For Kerf Gasket: BL (Black) W (White)

800-824-3018 | [www.pemko.com](http://www.pemko.com)

Check the web site for the up-to-date catalog

Copyright © 2015-2023, ASSA ABLOY Accessories and Door Controls Group, Inc., an ASSA ABLOY Group company. All rights reserved.  
Reproduction in whole or in part without the express written permission of ASSA ABLOY Accessories and Door Controls Group, Inc. is prohibited.

**PEMKO**  
**ASSA ABLOY**

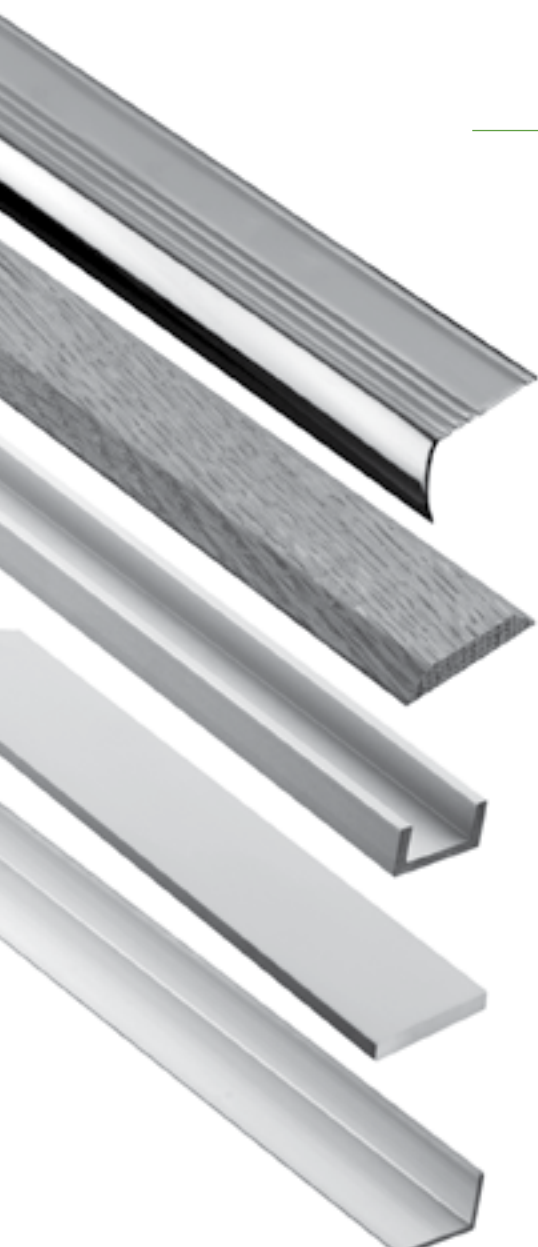
Experience a safer  
and more open world



Experience a safer  
and more open world

800-824-3018 | [www.pemko.com](http://www.pemko.com)  
Check the web site for the up-to-date catalog

Copyright © 2015-2023, ASSA ABLOY Accessories and Door Controls Group, Inc., an ASSA ABLOY Group company. All rights reserved.  
Reproduction in whole or in part without the express written permission of ASSA ABLOY Accessories and Door Controls Group, Inc. is prohibited.



# FLOOR MOLDING, TRIM & HANDYSHAPES™

## CONTENTS:

Carpet Bar and Seam Binding.....	286
Stair Nosing.....	286
Oak Seam Binding, Floor Edging, and Carpet Trim.....	286

## INDEX:

<u>PRODUCT</u>	<u>PAGE</u>	<u>PRODUCT</u>	<u>PAGE</u>
2120 .....	286	2219 .....	286
2132 .....	286	2219W.....	286
2132W.....	286	2500W .....	286
2134 .....	286		

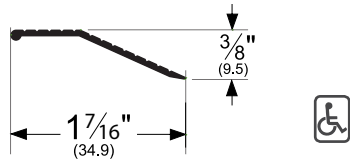
## CARPET BAR - STANDARD

- Carpet Bars protect and provide a neat trim for the edge of carpet

### 2132\_

AVAILABLE FINISHES: **A, G**  
AVAILABLE LENGTHS: **36", 72"**

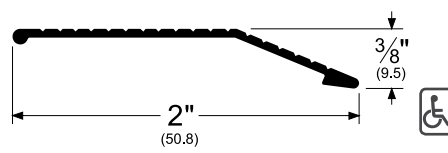
Provided with drive nails



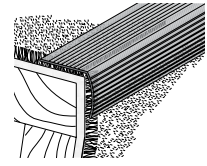
### 2134\_

AVAILABLE FINISHES: **A, G**  
AVAILABLE LENGTHS: **36", 72"**

Provided with drive nails



### Typical Installation



2120\_ shown installed

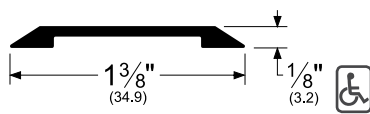
## SEAM BINDING

- Covers seams and joins in linoleum, tile, carpet, and other floor coverings

### 2219\_

AVAILABLE FINISHES: **A, G**  
AVAILABLE LENGTHS: **36", 72"**

Provided with drive nails

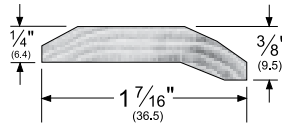


## OAK CARPET TRIM

- Covers and protects carpet edges or seams between two surfaces
- Oak is provided unfinished with countersunk holes and brass plated screws

### 2132W

AVAILABLE FINISH: **W**  
AVAILABLE LENGTHS: **36", 72"**



## STAIR NOSING

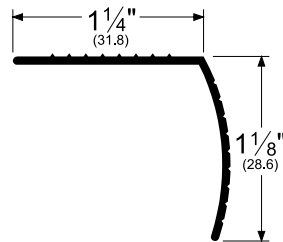
- Protects and improves the appearance of stair edges

### 2120\_

AVAILABLE FINISHES: **A, G**  
AVAILABLE LENGTHS: **36", 72"**

Provided with drive nails

Ribbed top surface and fluted face

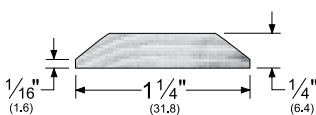


## OAK SEAM BINDING

- Oak Seam Binding covers seams between wood, tile, linoleum and other surfaces
- Oak is provided unfinished with countersunk holes and brass plated screws

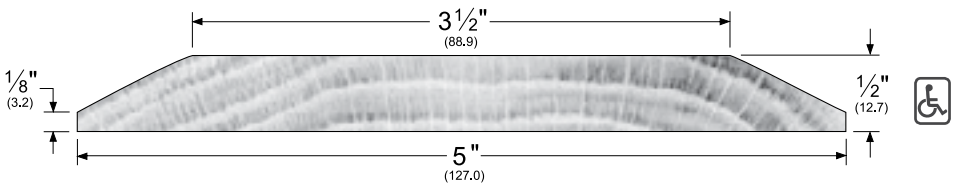
### 2219W

AVAILABLE LENGTHS: **36", 72"**



### 2500W

AVAILABLE LENGTHS: **36", 72"**



**PEMKO**  
**ASSA ABLOY**

AVAILABLE FINISHES FOR PRODUCTS SHOWN ON THIS PAGE  
**A** (Mill Finish Aluminum) **G** (Gold Anodized) **W** (Solid Oak)

800-824-3018 | [www.pemko.com](http://www.pemko.com)  
Check the web site for the up-to-date catalog

Experience a safer  
and more open world

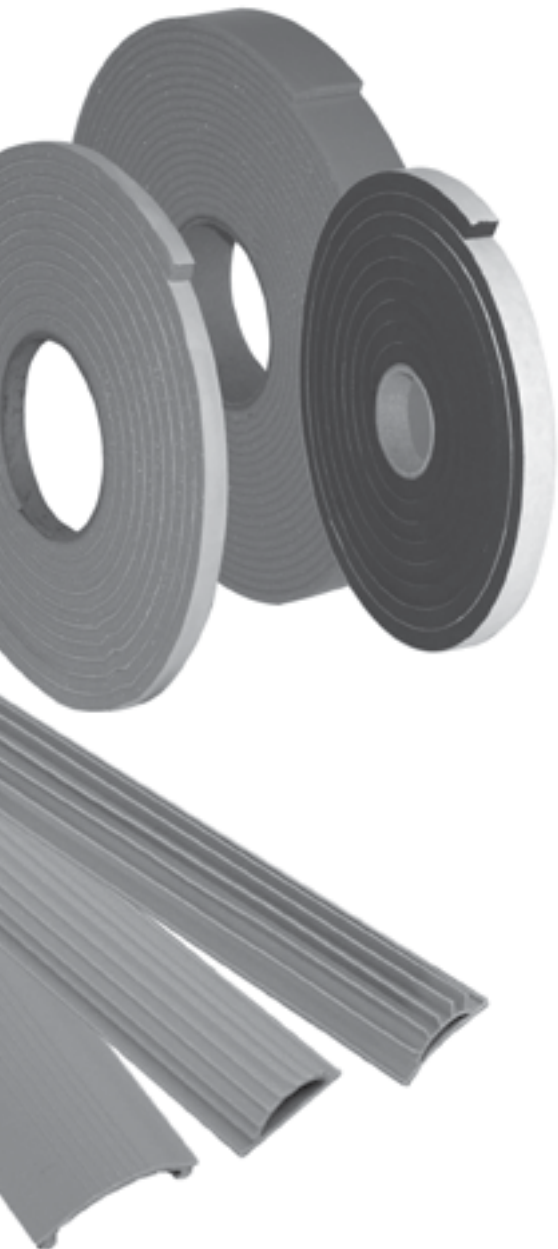
# PEMKO WEATHERIZATION PRODUCTS

## CONTENTS:

Foam Tape .....	288
Neoprene Tape .....	288
Miscellaneous Tape .....	289
Spring Bronze Weatherstrip .....	289
Garage Door Weatherstrip .....	289

## INDEX:

PRODUCT	PAGE	PRODUCT	PAGE	PRODUCT	PAGE
P51B17 .....	289	P266 .....	288	P391 .....	288
P240 .....	288	P361V16 .....	289	P392 .....	288
P241 .....	288	P364R16 .....	289	P393 .....	288
P241-30 .....	288	P365V16 .....	289	P394 .....	288
P242 .....	288	P380 .....	289	P396 .....	288
P243 .....	288	P381 .....	289	P397 .....	288
P244 .....	288	P382 .....	289	P398 .....	288
P260 .....	288	P384 .....	289	P480 .....	289
P261 .....	288	P385 .....	288	P484 .....	289
P262 .....	288	P386 .....	288	P490 .....	288
P263 .....	288	P387 .....	289	P491 .....	288
P264 .....	288	P388 .....	289	P493 .....	288
P265 .....	288	P390 .....	288	P497 .....	288



800-824-3018 | [www.pemko.com](http://www.pemko.com)  
 Check the web site for the up-to-date catalog

Copyright © 2015-2023, ASSA ABLOY Accessories and Door Controls Group, Inc., an ASSA ABLOY Group company. All rights reserved.  
 Reproduction in whole or in part without the express written permission of ASSA ABLOY Accessories and Door Controls Group, Inc. is prohibited.

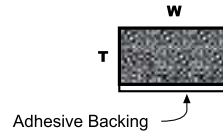
**PEMKO**  
**ASSA ABLOY**

Experience a safer  
 and more open world

## OPEN CELL POLYURETHANE FOAM TAPE

- Easily compressible self-adhesive weatherstrip

Product #	Color	Thickness (T)		Width (W)		Length
P390	Gray	3/16"	X	3/8"	X	17'
P391	White	1/4"	X	3/8"	X	17'
P392	Gray	3/8"	X	3/8"	X	17'
P393	Gray	1/2"	X	1/2"	X	17'
P394	Gray	1/2"	X	3/4"	X	17'
P396	Charcoal	1/4"	X	1/2"	X	17'
P397	White	1/8"	X	3/8"	X	17'
P398	Gray	1/4"	X	3/4"	X	17'



### Suggested Installation

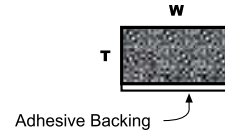


Open Cell Foam Tape installed on casement window.

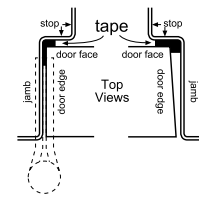
## CLOSED CELL SOFT PVC FOAM TAPE

- Flexible, conformable, and softly compressible self-adhesive weatherstrip
- Highly resilient: resists ultraviolet, oxygen and moisture degradation
- Seals against air and water, around doors and windows

Product #	Color	Thickness (T)		Width (W)		Length
P240	Gray	1/8"	X	1/4"	X	17'
P241	Gray	3/16"	X	3/8"	X	17'
P241-30	Gray	3/16"	X	3/8"	X	30'
P242	Gray	1/4"	X	3/8"	X	17'
P243	Gray	3/8"	X	3/8"	X	17'
P244	Gray	3/8"	X	3/4"	X	17'



### Suggested Installation

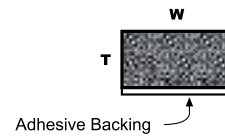


Top view of Closed Cell PVC Soft Foam Tape installed on door opening.

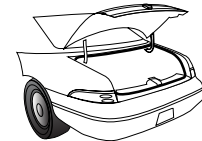
## CLOSED CELL FIRM PVC FOAM TAPE

- Moderately compressible self-adhesive weatherstrip

Product #	Color	Thickness (T)		Width (W)		Length
P260	Black	1/8"	X	1/4"	X	17'
P261	Black	3/16"	X	3/8"	X	17'
P262	Black	3/16"	X	3/4"	X	17'
P263	Black	5/16"	X	3/8"	X	10'
P264	Black	5/16"	X	3/4"	X	10'
P265	Black	7/16"	X	3/8"	X	10'
P266	Black	7/16"	X	3/4"	X	10'
P385	Gray	1/4"	X	1/2"	X	10'
P386	Gray	1/4"	X	3/4"	X	10'



### Suggested Installation

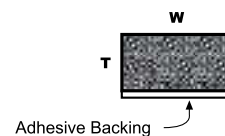


Closed Cell PVC Firm Foam Tape installed as car trunk weatherstrip.

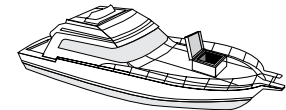
## EPDM SPONGE NEOPRENE TAPE

- Slightly compressible self-adhesive weatherstrip
- Resists deterioration and remains flexible at sub-zero temperatures
- Superior product for weatherstripping doors, windows, hatchways, lids and covers

Product #	Color	Thickness (T)		Width (W)		Length
P490	Gray	1/8"	X	3/8"	X	10'
P491	Gray	1/4"	X	3/8"	X	10'
P493	Gray	1/4"	X	1/2"	X	10'
P497	Gray	1/4"	X	3/4"	X	10'



### Suggested Installation



EPDM Sponge Neoprene Tape installed as boat hatch weatherstrip.

**PEMKO**  
**ASSA ABLOY**

Experience a safer  
and more open world

800-824-3018 | [www.pemko.com](http://www.pemko.com)  
Check the web site for the up-to-date catalog

Copyright © 2015-2023, ASSA ABLOY Accessories and Door Controls Group, Inc., an ASSA ABLOY Group company. All rights reserved. Reproduction in whole or in part without the express written permission of ASSA ABLOY Accessories and Door Controls Group, Inc. is prohibited.

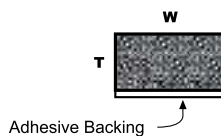


## CLOSED CELL SPONGE NEOPRENE TAPE

- Superior product for weatherstripping homes, cars, trucks and boats
- Resists deterioration from oily substances
- Remains flexible at high and low temperatures

Product #	Color	Thickness (T)		Width (W)		Length
P380	Black	3/16"	x	3/8"	x	10'
P381	Black	5/16"	x	3/8"	x	10'
P382	Black	5/16"	x	3/4"	x	10'
P384	Black	7/16"	x	3/4"	x	10'
P387	Black	3/16"	x	3/4"	x	10'
P388	Black	5/16"	x	1/2"	x	10'
P484	Black	7/16"	x	3/8"	x	10'

### Suggested Installation

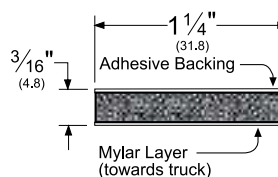


Closed Cell Sponge Neoprene Tape installed as car door weatherstrip.

## CLOSED CELL SPONGE VINYL CAMPER TAPE

- Mylar-backed tape cushions between camper and truck

Product #	Color	Thickness (T)		Width (W)		Length
P480	Gray	3/16"	x	1 1/4"	x	30'



### Suggested Installation

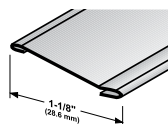


Sponge Vinyl Camper Tape installed as seal between camper and truck bed

## SPRING BRONZE WEATHERSTRIP

- For use on wood doors and wood casement windows
- .008" hemmed spring bronze (brass)
- Packaged with nails. Nails should be approximately 1 1/2" on center

Product #	Material	Width		Length
P51B17	Bronze	1 1/8"	x	17'

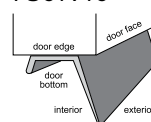


## GARAGE DOOR WEATHERSTRIP

- All garage door weatherstrips are furnished with roofing nails

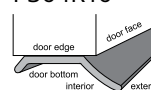
Product #	Color	Height		Width		Length
P361V16	Black	1 1/2"	x	1"	x	16'
P364R16	Black	3/4"	x	2 1/4"	x	16'
P365V16	Gray	1 3/4"	x	5/8"	x	16'

### P361V16



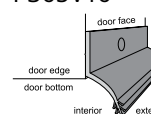
- Nails to door edge, bottom or jamb, closing gaps up to 1 1/2"

### P364R16



- Nails to door bottom, closing gaps up to 5/8"

### P365V16



- Nails to door edge, bottom or face, closing gaps up to 1 3/4"



Experience a safer  
and more open world

800-824-3018 | [www.pemko.com](http://www.pemko.com)  
*Check the web site for the up-to-date catalog*

Copyright © 2015-2023, ASSA ABLOY Accessories and Door Controls Group, Inc., an ASSA ABLOY Group company. All rights reserved.  
Reproduction in whole or in part without the express written permission of ASSA ABLOY Accessories and Door Controls Group, Inc. is prohibited.

# PEMKO FIRE GLAZING TAPE

---

## CONTENTS:

Fire Glazing Tape .....	292
Fire Glazing Tape Applications .....	293

## INDEX:

<u>PRODUCT</u>	<u>PAGE</u>	<u>PRODUCT</u>	<u>PAGE</u>
FG3000S45 .....	292	FG3000S90 .....	292
FG3000S45 .....	293	FG3000S90 .....	296
FG3000S45 .....	294	FG3000S90 .....	297
FG3000S45 .....	295	HSS2000 .....	297
FG3000S45 .....	298		

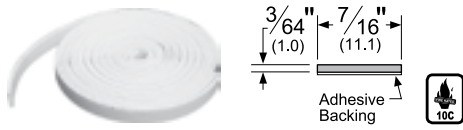


# FIRE GLAZING TAPE

- Verify all applications with your door and/or frame manufacturer
- **FG3000S45** and **FG3000S90** are specially formulated high-performance fire glazing tapes
- For exterior fire-rated applications, seal against moisture using standard industry methods

## FG3000S45

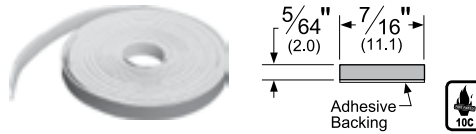
AVAILABLE LENGTHS: 7', 8', 14', 16'



Color: White

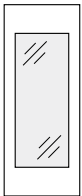
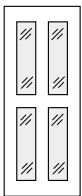
## FG3000S90

AVAILABLE LENGTHS: 8', 16'



Color: White

### Fire Glazing Tape in Larger Lite Applications

<p><b>Single Vision Lites (Wood/Hollow Metal Door)</b></p> 	<p>Maximum Height: 84"                  Maximum Width: 34"                  Maximum Total Square Inches (Visible Glass Area): 2,856</p>	<ul style="list-style-type: none"> <li>• In 20-, 45-, 60- and 90-minute rated wood and hollow metal doors with metal vision frames, the use of FG3000 fire glazing tape allows for much larger vision lites</li> <li>• In 20- and 45-minute rated hollow metal screens, the use of FG3000 fire glazing tape allows for much larger sidelites, borrowed lites and glass transoms</li> <li>• New allowable visible glass areas for vision lites in 20- and 45-minute rated wood and hollow metal doors with FG3000S45 is 2,856 square inches with a maximum height of 84" and a maximum width of 34"</li> </ul>
<p><b>Multiple Vision Lites (Hollow Metal Door)</b></p> 	<p>Maximum Height (Each Lite): 12"                  Maximum Width (Each Lite): 46"                  Maximum Combined Square Inches (All Visible Glass Areas): 2,208</p>	<ul style="list-style-type: none"> <li>• For 90-minute hollow metal doors with <b>FG3000</b> fire glazing tape, 12" x 46" vision lites are allowed, but the total number of lites must not exceed four (4) per door. The combined total visible glass area allowed is 2208 square inches</li> </ul>



Experience a safer and more open world

800-824-3018 | www.pemko.com  
 Check the web site for the up-to-date catalog

Copyright © 2015-2023, ASSA ABLOY Accessories and Door Controls Group, Inc., an ASSA ABLOY Group company. All rights reserved. Reproduction in whole or in part without the express written permission of ASSA ABLOY Accessories and Door Controls Group, Inc. is prohibited.

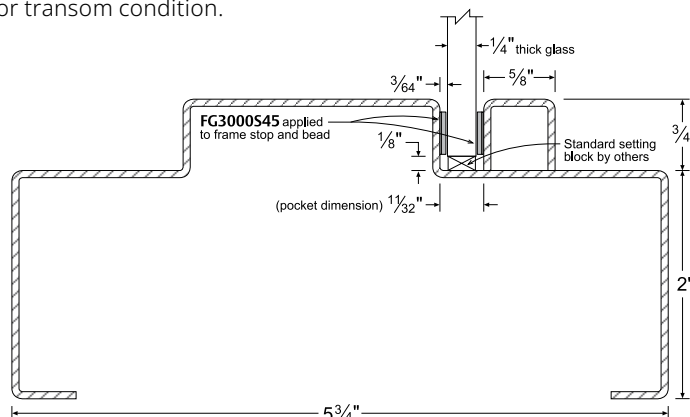
# FG3000S45 FIRE GLAZING TAPE IN 20- AND 45-MINUTE HOLLOW METAL FRAME (SCREEN)

## Sidelite/Borrowed Lite/Transom Lite Applications

- Verify all applications with your door and/or frame manufacturer
- For exterior fire-rated applications, a clear silicone caulk is recommended for water proofing

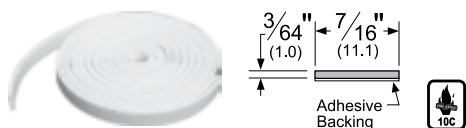
## Sectional View of Application

Hollow metal frame for a sidelite, borrowed lite or transom condition.



## FG3000S45

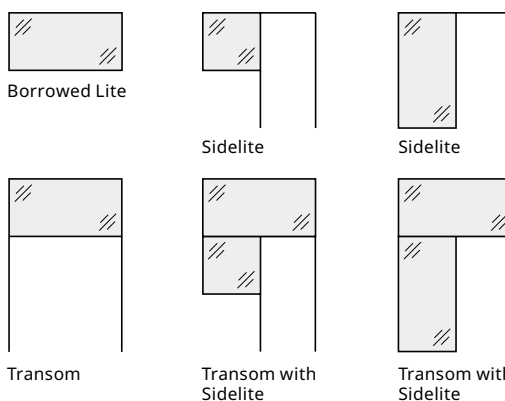
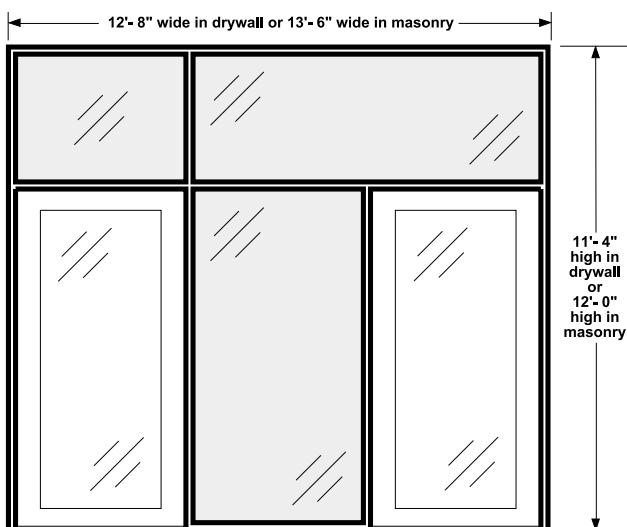
AVAILABLE LENGTHS: 7', 8', 14', 16'



Color: White

## Technical Data for 20- And 45-Minute Hollow Metal Screens Equipped with FG3000S45 (Sidelite/Borrowed Lite/Transom Lite Applications)

### Lite Configurations



The maximum visible glass area allowed for side lites, borrowed lites, and glass transoms is 4,704 square inches with a maximum length of 106" in any one direction.

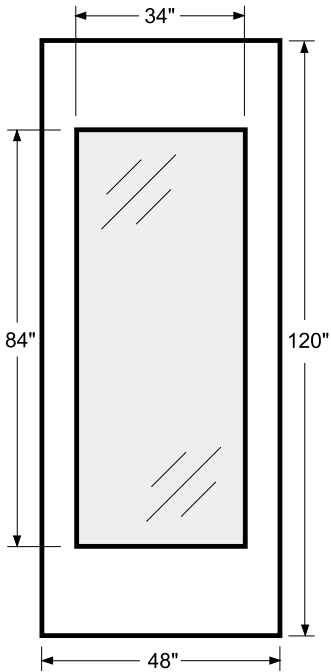
Lite Specifications	Hollow Metal Screen Specifications	Listing/Labeling Specifications
<p>Maximum Lite Size: 106" In Any One Direction</p> <p>Maximum Lite Combined Square Inches: Not To Exceed 4,704</p>	<p>Maximum Dimensions (Drywall): 12'8" X 11'4"</p> <p>Maximum Dimensions (Masonry): 13'6" X 12'0"</p> <p>Metal Requirements: Frames are restricted to a minimum of 16-gauge with 5/8" high stops and 18-gauge glazing bead with #8 fasteners at 9" maximum centers</p>	<ul style="list-style-type: none"> <li>• Door and frame must be manufactured by companies that are classified by <b>Underwriters Laboratories Inc.®</b> for the manufacturing and labeling of hollow metal fire doors. <b>Warnock Hersey (I.T.S.)</b> listings are also available through participating hollow metal manufacturers</li> <li>• Listed Glazing Products include: <ul style="list-style-type: none"> <li>- <b>Wire Glazing:</b> Pilkington, Asahi and Central Glass</li> </ul> </li> <li>• All vision lite kits must be listed fire door glass frames, packaged with FG3000S45 or FG3000S90</li> <li>• Individual door and frame manufacturers' modification procedures may vary slightly from the size listings shown</li> </ul>



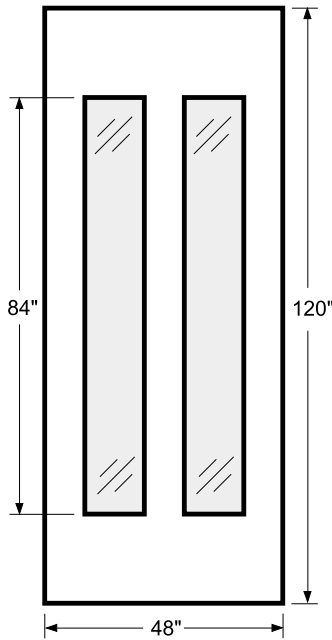
# FG3000S45 FIRE GLAZING TAPE IN 20- AND 45-MINUTE HOLLOW METAL DOOR

## Metal Vision Frame Applications

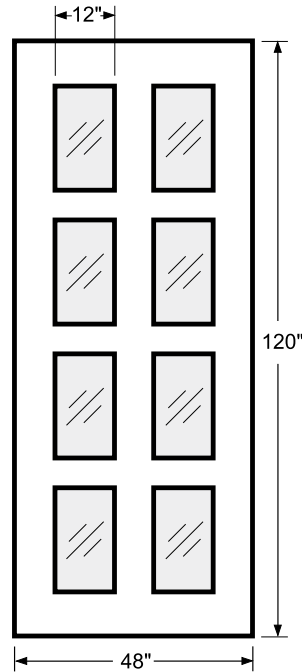
- Maximum hollow metal door size: 48" x 120" single, pairs approved
- Door and frame must be manufactured by companies that are classified by Underwriters Laboratories Inc.® for the manufacturing and labeling of hollow metal fire doors and frames. Warnock-Hersey (I.T.S.) listings are also available through participating hollow metal manufacturers
- For exterior fire rated applications, seal against moisture using standard industry methods
- Verify all applications with your door and/or frame manufacturer



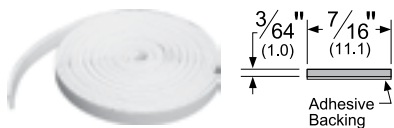
For 20 minute and 45 minute the maximum visible glass size allowed is 34" wide x 84" high or 2,856 square inches per vision lite.



Multiple vision lites are allowed in both the 20 minute and 45 minute, but the combined total visible glass area allowed is 2,856 square inches per door.



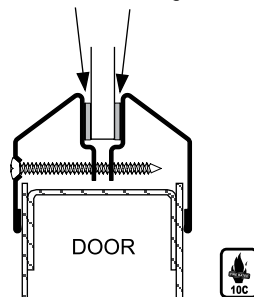
## FG3000S45



Color: White

## Sectional View of Applications

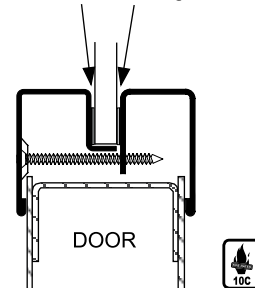
FG3000S45 applied between frame and glass



Beveled



FG3000S45 applied between frame and glass



Square



Experience a safer and more open world

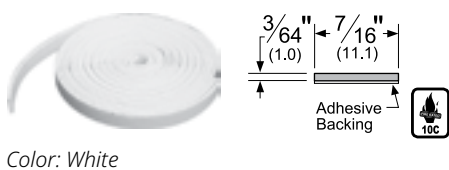
800-824-3018 | [www.pemko.com](http://www.pemko.com)  
Check the web site for the up-to-date catalog

Copyright © 2015-2023, ASSA ABLOY Accessories and Door Controls Group, Inc., an ASSA ABLOY Group company. All rights reserved. Reproduction in whole or in part without the express written permission of ASSA ABLOY Accessories and Door Controls Group, Inc. is prohibited.

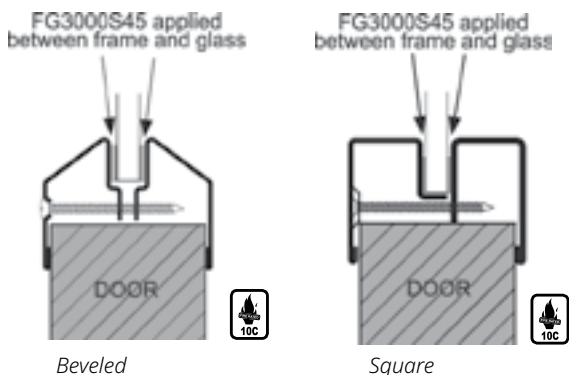
# FG3000S45 FIRE GLAZING TAPE IN 20- AND 45-MINUTE WOOD DOOR

## Metal Vision Frame Applications

### FG3000S45

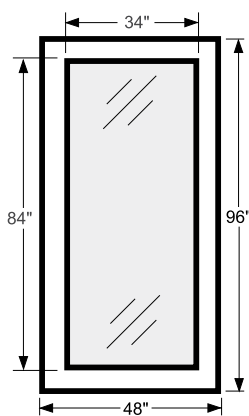


### Sectional View of Applications

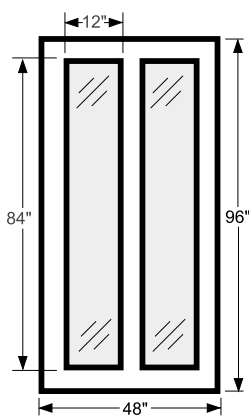


### Technical Data for 20- And 45-Minute Wood Doors Equipped with FG3000S45 (Metal Vision Frame, Single and Multiple Lite Applications)

#### Lite Configurations



Single Vision Lite



Multiple Vision Lites

The maximum visible glass area allowed for single lites is 34" wide x 84" high; for single and multiple lites, the total visible glass area allowed is 2,856 square inches per door.

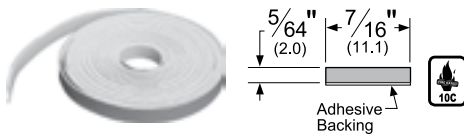
Lite Specifications	Door Specification	Listing/Labeling Specifications
<p><b>Maximum Dimensions (Single Lite):</b> 34" wide x 84" high, 2,856 square inches per lite</p> <p><b>Maximum Combined Dimensions (Multiple Lites):</b> Multiple vision lites are allowed in both the 20- and 45-minute doors, but the combined total visible glass area allowed is 2,856 square inches per door.</p>	<p><b>Maximum Dimensions:</b> Or both 20- and 45-minute doors, the maximum wood door size is 48" x 96" single, pairs approved</p>	<ul style="list-style-type: none"> <li>• Door and frame must be manufactured by companies that are classified by Underwriters Laboratories Inc.® for the manufacturing and labeling of hollow metal fire doors. Warnock Hersey (I.T.S.) listings are also available through participating hollow metal manufacturers</li> <li>• Listed Glazing Products include: <ul style="list-style-type: none"> <li>- <b>Wire Glazing:</b> Pilkington, Asahi and Central Glass</li> </ul> </li> <li>• Individual door and frame manufacturers' modification procedures may vary slightly from the size listings shown</li> </ul>

# FG3000S90 FIRE GLAZING TAPE IN 90-MINUTE HOLLOW METAL DOOR METAL VISION FRAME APPLICATIONS

- Verify all applications with your door and/or frame manufacturer
- For exterior fire-rated applications, seal against moisture using industry standard methods

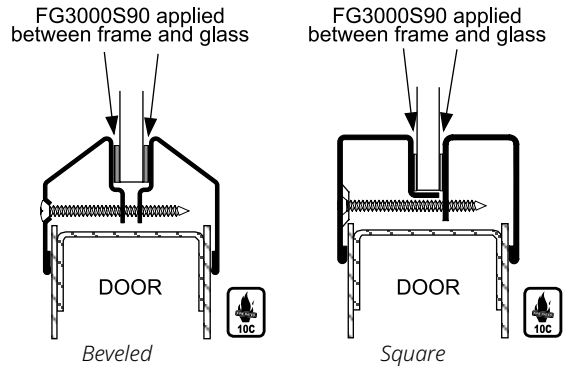
## FG3000S90

AVAILABLE LENGTHS: 8', 16'



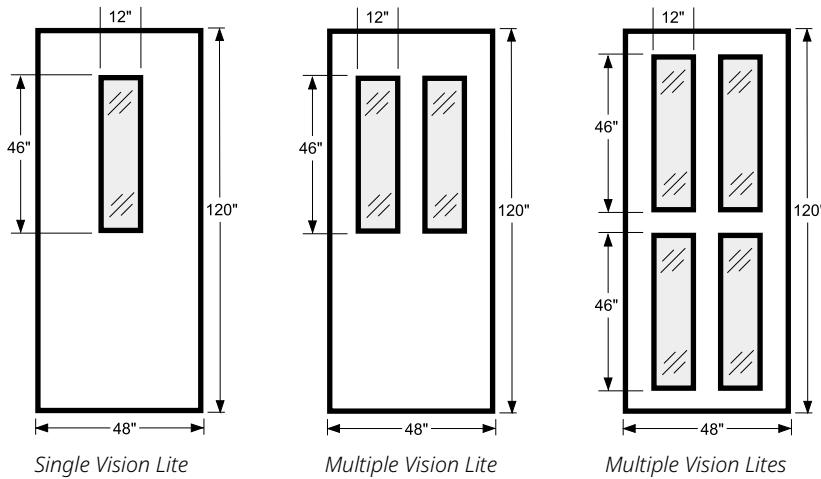
Color: White

## Sectional View of Applications



## Technical Data for 90-Minute Hollow Metal Doors Equipped with FG3000S90 (Metal Vision Frame, Single And Multiple Lite Applications)

### Lite Configurations



The maximum visible glass area allowed for single lites is 12" wide x 46" high or 552 square inches per vision lite; for multiple lites, the largest approved door configuration is two (2) vision lites at 12" wide x 46" high above two (2) vision lites at 12" wide x 46" high (as shown at far right). No more than four (4) lites are allowed per door, and the combined total visible glass area allowed is 2,208 square inches per door.

Lite Specifications	Door Specification	Listing/Labeling Specifications
<p><b>Maximum Dimensions (Single Lite):</b> 12" wide x 46" high, 552 square inches per lite</p> <p><b>Maximum Combined Dimensions (Multiple Lites):</b> Multiple vision lites are allowed in 90-minute doors, but the combined total visible glass area allowed is 2,208 square inches per door. No more than four (4) lites are allowed per door. The largest approved configuration is above two (2) vision lites at 12" wide x 46" high above two vision lites at 12" wide x 46" high.</p>	<p><b>Maximum Dimensions:</b> For 90-minute doors, the maximum hollow metal door size is 48" x 120" single, pairs approved.</p>	<ul style="list-style-type: none"> <li>• Door and frame must be manufactured by companies that are classified by Underwriters Laboratories Inc.® for the manufacturing and labeling of hollow metal fire doors. Warnock Hersey (I.T.S.) listings are also available through participating hollow metal manufacturers</li> <li>• Listed Glazing Products include: <ul style="list-style-type: none"> <li>– Wire Glazing: Pilkington, Asahi and Central Glass</li> </ul> </li> <li>• Individual door and frame manufacturers' modification procedures may vary slightly from the size listings shown.</li> </ul>



Experience a safer and more open world

800-824-3018 | www.pemko.com  
Check the web site for the up-to-date catalog

Copyright © 2015-2023, ASSA ABLOY Accessories and Door Controls Group, Inc., an ASSA ABLOY Group company. All rights reserved. Reproduction in whole or in part without the express written permission of ASSA ABLOY Accessories and Door Controls Group, Inc. is prohibited.



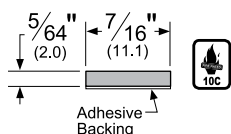
# FG3000S90 FIRE GLAZING TAPE IN 60- AND 90-MINUTE WOOD DOORS

## Metal Vision Frame Applications

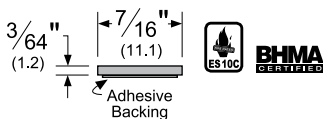
- Verify all applications with your door and/or frame manufacturer
- For exterior fire-rated applications, a clear silicone caulk is recommended for water proofing

### FG3000S90

AVAILABLE LENGTHS: 8', 16'

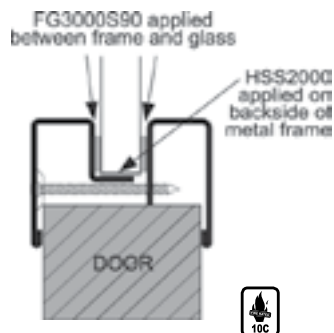


### HSS2000



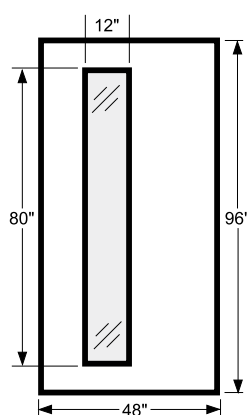
HSS2000 is required to be installed with FG3000S90 for positive pressure applications only. For more information about HSS2000, please see the Adhesive Gasketing section.

## Sectional View of Applications

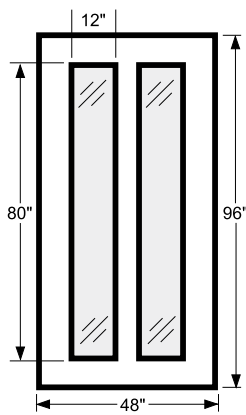


## Technical Data for 60- and 90-Minute Wood Doors Equipped with FG3000S90 & HSS2000 (Metal Vision Frame, Single and Multiple Lite Applications)

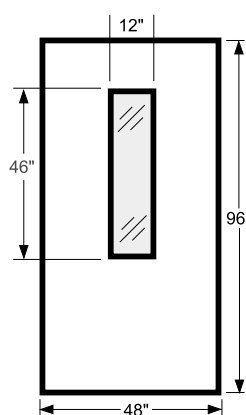
### Lite Configurations



Single Vision Lite, 60-Minute Door



Multiple Vision Lites, 60-Minute Door



Single Vision Lite, 90-Minute Door

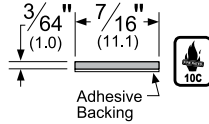
The maximum visible glass area allowed for 60-minute single lites is 12" wide x 80" high or 960 square inches per vision lite; 90-minute doors are allowed a maximum visible glass area of 12" wide x 46" high or 552 square inches per vision lite. Multiple lites (allowed on 60-minute doors only) have a maximum combined visible glass area of 1,920 square inches per door.

Lite Specifications	Door Specification	Listing/Labeling Specifications
<p><b>Maximum Dimensions (Single Lite, 60-Minute):</b> 12" wide x 80" high; 960 square inches per lite</p> <p><b>Maximum Dimensions (Single Lite, 90-Minute):</b> 12" wide x 46" high; 552 square inches per lite</p> <p><b>Maximum Combined Dimensions (Multiple Lites, 60-Minute):</b> Multiple vision lites are allowed in 60-minute doors only; the combined total visible glass area allowed is 1,920 square inches per door</p>	<p><b>Maximum Dimensions:</b> For both 60- and 90-minute doors, the maximum wood door size is 48" x 96" single, pairs approved</p>	<ul style="list-style-type: none"> <li>• Door must be manufactured by companies that are classified by Underwriters Laboratories Inc.® for the manufacturing and labeling of hollow metal fire doors. Warnock Hersey (I.T.S.) listings are also available through participating hollow metal manufacturers.</li> <li>• Listed Glazing Products include: <ul style="list-style-type: none"> <li>– Wire Glazing: Pilkington, Asahi and Central Glass</li> </ul> </li> <li>• Individual door and frame manufacturers' modification procedures may vary slightly from the size listings shown</li> <li>• HSS2000 is required on Positive Pressure applications only</li> </ul>

# FG3000S45 FIRE GLAZING TAPE IN 20- AND 45-MINUTE WOOD DOORS AND FRAMES

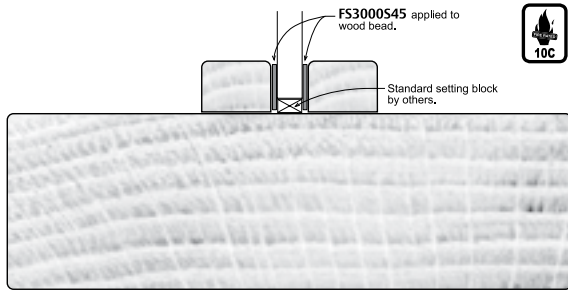
## FG3000S45

AVAILABLE LENGTHS:  
7', 8', 14', 16'



- Verify all applications with your door and/or frame manufacturer
- For exterior fire-rated applications, seal against moisture using standard industry methods
- Wood vision frames rated 20-minute and 45-minute
- Wood sidelite frames rated 20-minute and 45-minute
- Wood borrowed lite frames rated 20-minute and 45-minute

### Technical Data for 20-Minute Wood Sidelite Frame/Wood Lite Bead/Clear Tempered Glass



#### Maximum Visible Glazing Dimensions (Sidelite):

32 7/8" x 87 13/16"

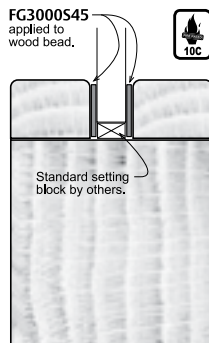
#### Glazing Materials (Sidelite):

- PyroEdge 20™ by Interedge Technologies
- Fireglass 20™ by Technical Glass Products

#### Listing/Labeling Specifications:

- Positive Pressure Tested and Listed
- Verify availability with door and frame manufacturer

### Technical Data For 20-Minute Full Lite Wood Door/Wood Lite Frame/Clear Tempered Glass



#### Maximum Visible Glazing Dimensions (Lite):

- (4'0" x 8'0" Door): 32 7/8" x 75 13/16"
- (4'0" x 8'0" Door): 32 7/8" x 75 13/16"

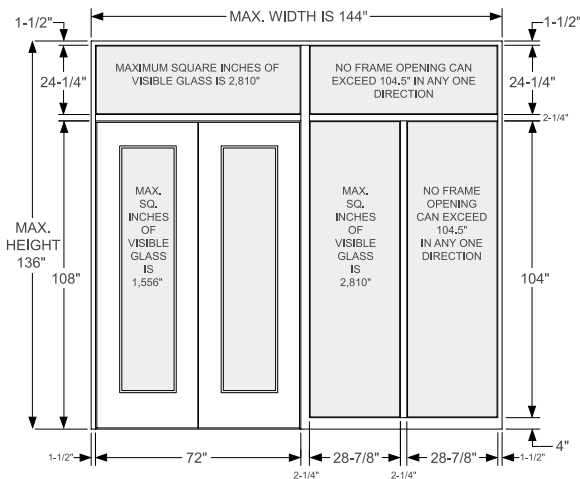
#### Glazing Materials (Sidelite):

- PyroEdge 20™ by Interedge Technologies
- Fireglass 20™ by Technical Glass Products

#### Listing/Labeling Specifications:

- Positive Pressure Tested and Listed
- Verify availability with door and frame manufacturer

### Technical Data for: 20- and 45-Minute Full Lite Wood Door/Wood Lite Frame With Wire Glass or FireLite™, 20- and 45-Minute Wood Sidelite Frame/Borrowed Lite Frame/Transom Lite Frame with Wire Glass or FireLite™



#### Lite Specifications (see diagram at left):

- Positive Pressure Tested and Listed
- Large visible glazing areas
- Wire Glass and FireLite™
- Verify availability with door and frame manufacturer.

#### Contact These Manufacturers:

##### Navy Island, Inc.

275 Marie Ave East, West St. Paul, MN 55118  
Phone: 651.451.4454, Fax: 651.451.4484

##### Eggers Industries - Frame Plant

1819 East River Street, Two Rivers, WI 54241  
Phone: 920.793.1351, Fax: 920.793.2958



Experience a safer  
and more open world

800-824-3018 | www.pemko.com  
Check the web site for the up-to-date catalog

Copyright © 2015-2023, ASSA ABLOY Accessories and Door Controls Group, Inc., an ASSA ABLOY Group company. All rights reserved. Reproduction in whole or in part without the express written permission of ASSA ABLOY Accessories and Door Controls Group, Inc. is prohibited.

# PEMKO DOOR & FRAME ACCESSORIES



## CONTENTS:

Glazing Bead/Spreader Bar .....	300
Reinforcements - Fillers .....	300
Reinforcements - Misc. ....	301

## INDEX:

<u>PRODUCT</u>	<u>PAGE</u>
CB1-50PK.....	300
CR2-5PK.....	301
GS2-20PK.....	300
GS3-20PK.....	300
GS4-20PK.....	300
HF3-25PK.....	300

800-824-3018 | [www.pemko.com](http://www.pemko.com)

Check the web site for the up-to-date catalog

Copyright © 2015-2023, ASSA ABLOY Accessories and Door Controls Group, Inc., an ASSA ABLOY Group company. All rights reserved.  
Reproduction in whole or in part without the express written permission of ASSA ABLOY Accessories and Door Controls Group, Inc. is prohibited.

**PEMKO**  
**ASSA ABLOY**

Experience a safer  
and more open world

## GLAZING BEAD/SPREADER BAR

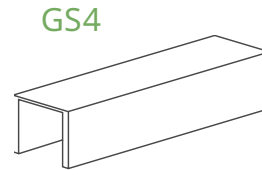
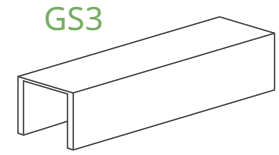
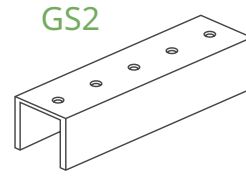
### Glazing Bead

- Sold in 20 packs only
- No fasteners supplied

- GS2-20PK**
- $\frac{5}{8}$ " H x  $\frac{3}{4}$ " W x 10'0" L (Outer Dimension)
  - Punched and countersunk for #8 screw
  - Hole spacings are 6" from ends and 12" on center
  - .049 18 gauge A40 galvanized steel

- GS3-20PK**
- $\frac{5}{8}$ " H x  $\frac{3}{4}$ " W x 10'0" L (Outer Dimension)
  - Blank (no holes)
  - .049 18 gauge A40 galvanized steel

- GS4-20PK**
- $\frac{5}{8}$ " H x  $\frac{3}{4}$ " W x 3'0" L (Outer Dimension)
  - Blank (no holes)
  - .049 18 gauge A40 galvanized steel

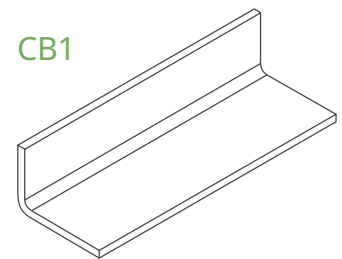


## REINFORCEMENTS - FILLERS

### Corner Fillers

- Holes in one side for anchoring  $1\frac{5}{8}$ " x  $1\frac{5}{8}$ "
- .065 - 16 gauge galvanized steel
- Sold in 50 packs only

- CB1-50PK**
- 2" face frame corner filler.
  - $\frac{5}{8}$ " x  $\frac{7}{16}$ " lip x  $1\frac{13}{16}$ " wide

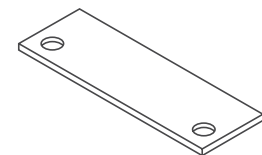


### Frame Hinge Filler Plate

- For  $1\frac{3}{4}$ " rabbeted frames
- Two (2) #12-24 x  $\frac{1}{2}$ " F.H.M.S.
- Sold in 25 packs only

- HF3-25PK**
- $4\frac{1}{2}$ " hinge filler for frames.
  - $1\frac{5}{8}$ " x  $4\frac{1}{2}$ " x .134 HRPO

HF3

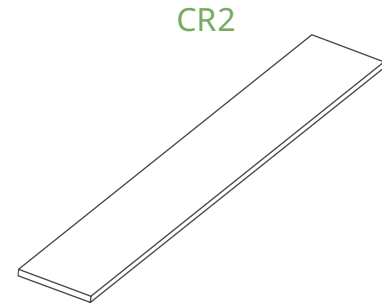


## REINFORCEMENTS - MISC.

### Weld-In Reinforcements

- Weld-in closer reinforcement
- CR2 sold in 5 packs only
- CR3 sold in 20 packs only

- CR2-5PK**
- 12" flat closer reinforcement for standard and PA mount closers
  - 1<sup>3</sup>/<sub>4</sub>" x 12" x .134 - 10 gauge HRPO



# NOTES

---



Experience a safer  
and more open world

800-824-3018 | [www.pemko.com](http://www.pemko.com)  
Check the web site for the up-to-date catalog

Copyright © 2015-2023, ASSA ABLOY Accessories and Door Controls Group, Inc., an ASSA ABLOY Group company. All rights reserved.  
Reproduction in whole or in part without the express written permission of ASSA ABLOY Accessories and Door Controls Group, Inc. is prohibited.

# NOTES

---

800-824-3018 | [www.pemko.com](http://www.pemko.com)

*Check the web site for the up-to-date catalog*

Copyright © 2015-2023, ASSA ABLOY Accessories and Door Controls Group, Inc., an ASSA ABLOY Group company. All rights reserved.  
Reproduction in whole or in part without the express written permission of ASSA ABLOY Accessories and Door Controls Group, Inc. is prohibited.

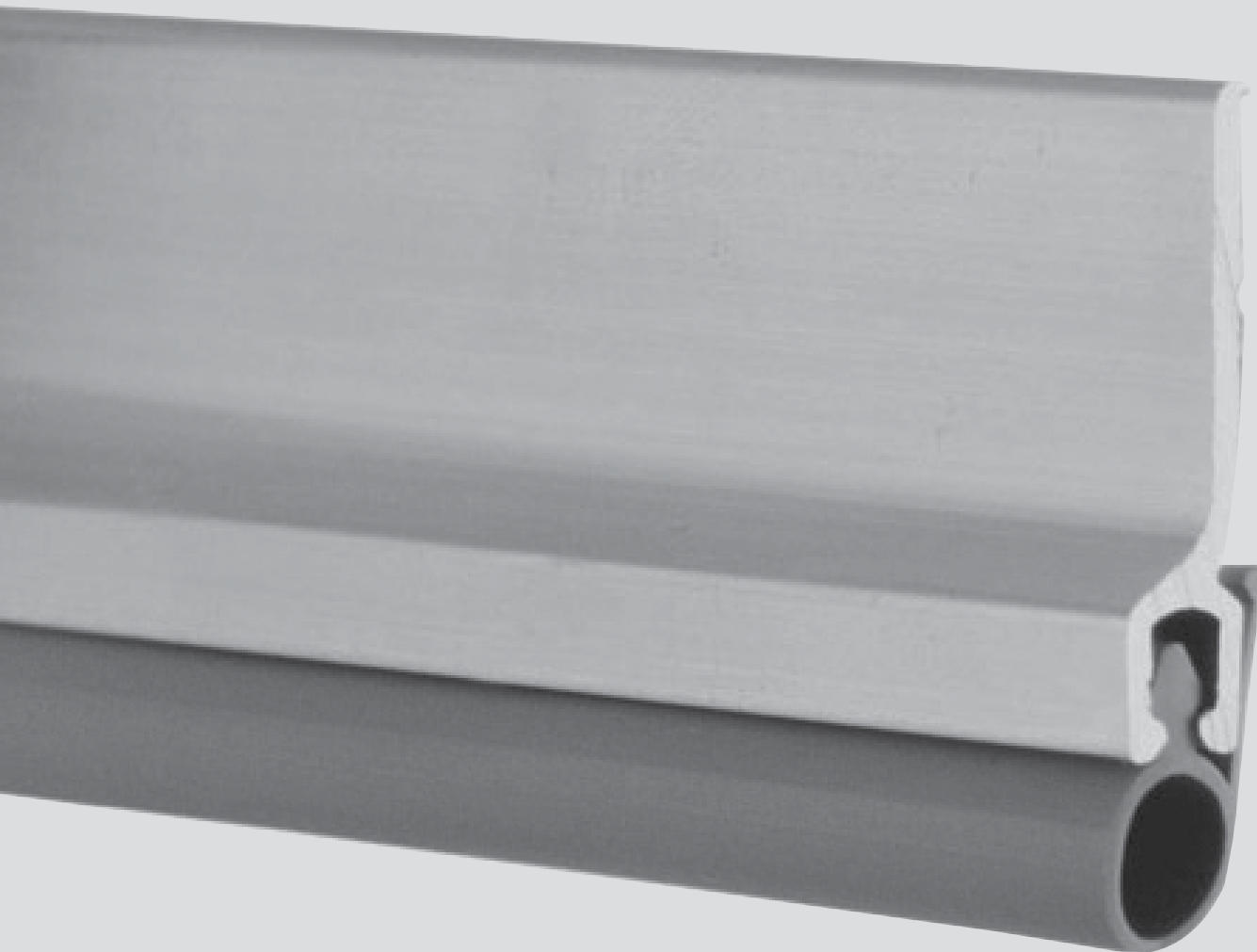
**PEMKO**  
**ASSA ABLOY**

Experience a safer  
and more open world

The ASSA ABLOY Group is the global leader in access solutions.  
Every day, we help billions of people experience a more open world.

ASSA ABLOY Opening Solutions leads the development within door openings and products for access solutions in homes, businesses and institutions. Our offering includes doors, frames, door and window hardware, mechanical and smart locks, access control and service.

**PEMKO**  
**ASSA ABLOY**



Pemko  
5535 Distribution Dr.  
Memphis, TN 38141  
[www.pemko.com](http://www.pemko.com)  
[orders.pemko@assaabloy.com](mailto:orders.pemko@assaabloy.com)

Memphis, TN USA  
P: 800 824 3018  
F: 800 243 3656

Ventura, CA USA  
P: 800 283 9988  
F: 800 283 4050

Vaughan, ON CA  
P: 800 461 3007  
F: 800 461 8989