



TABLE OF CONTENTS

Description

General Information	A1-A5
Comparison Chart/Finishing Chart	A6-A7
Leed Certification	A8
Explanation of Numbering System/Product Compliance	A9-A10
Extra Features/Decorator Tips	A11-A12

Description	Weight	Dimensions	Template	Page
Full Mortise Template/Non-Template Plain Bearing	Residential Weight	3", 3.5", 4"	RP: 81, 51, 21	B1-B2
Full Mortise Template Plain Bearing	Standard Weight	3.5", 4.5", 5"	PB: 81, 51, 21	B3-B5
Full Mortise Two Knuckle Plain Bearing	Standard Weight	4.5"	2P: 81, 51	B6
Full Mortise Template Ball Bearing	Standard Weight	3.5", 4", 5", 6"	BB: 81, 51, 21	B7-B10
5-Knuckle Full Mortise Concealed Bearing	Standard Weight	4.5"	FB: 81, 51, 21	B11
2-Knuckle Full Mortise Bearing	Standard Weight	4.5"	2B: 81, 51	B12
3-Knuckle Full Mortise Concealed Plain Bearing	Standard Weight	3.5", 4.5", 5"	CP: 81, 51, 21	B13-B15
3-Knuckle Full Mortise Concealed Bearing	Standard Weight	3.5", 4.5", 5"	CB: 81, 51, 21	B16-B18
Full Mortise Template Ball Bearing	Heavy Weight	4.5", 5", 6", 8"	4B: 81, 51, 21	B19-B22
5-Knuckle Full Mortise Concealed Bearing	Heavy Weight	4.5"	4F: 81, 51, 21	B23
2-Knuckle Full Mortise Bearing	Heavy Weight	4.5"	2H: 81, 51, 21	B24
3-Knuckle Full Mortise Concealed Plain Bearing	Heavy Weight	4.5", 5", 6", 8"	4C: 81, 51, 21	B25-B28
Full Mortise Concealed Bearing Prison Hinge	Heavy Weight	4.5"	PH: 51	B29
Full Mortise U.L. Listed Spring Hinge	Residential Weight	3.5", 4"	RS: 81	C1-C2
Full Mortise U.L. Listed Spring Hinge	Standard Weight	4", 4.5"	SP: 81, 51	C3-C4
Full Mortise Single Acting Spring Hinge	Standard Weight	4.5", 6", 7"	SA-81	C5
Half Surface Single Acting Spring Hinge	Standard Weight	6", 7"	SA-84	C6
Double Acting Spring Hinge	Standard Weight	6"	DA-81	C7
Full Mortise Electric Ball Bearing	Standard Weight	4", 4.5", 5"	BBxxEL/CBxxEL: 81, 51, 21	D1
Full Mortise Monitor Ball Bearing	Standard Weight	4", 4.5", 5"	BBxxEM/CBxxEM/EMW: 81, 51, 21	D3
Full Mortise Electric Ball Bearing	Heavy Weight	4.5", 5"	4BxxEL/4CxxEL: 81, 51, 21	D5
Full Mortise Monitor Ball Bearing	Heavy Weight	4.5", 5"	4BxxEM/4CxxEM/EMW: 81, 51, 21	D6
Mortar Box For Electric Hinges			MBG	D7
Half Mortise Template Plain Bearing	Standard Weight	4.5"	PB: 82, 52, 22	E1
Half Mortise Template Ball Bearing	Standard Weight	4.5"	BB: 82, 52, 22	E2
Half Mortise Template Ball Bearing	Heavy Weight	4.5", 5"	4B: 82, 52, 22	E3-E4
Half Mortise Template Plain Bearing	Standard Weight	4.5"	CP: 82, 52, 22	E5
Half Mortise Template Concealed Bearing	Standard Weight	4.5"	CB: 82, 52, 22	E6
Half Mortise Template Concealed Bearing	Heavy Weight	4.5", 5"	4C: 82, 52, 22	E7-E8
Full Surface Template Plain Bearing	Standard Weight	4.5"	PB: 83, 53, 23	F1
Full Surface Template Ball Bearing	Standard Weight	4.5"	BB: 83, 53, 23	F2
Full Surface Template Ball Bearing	Heavy Weight	4.5", 5"	4B: 83, 53, 23	F3-F4
Full Surface Template Plain Bearing	Standard Weight	4.5"	CP: 83, 53, 23	F5
Full Surface Template Concealed Bearing	Standard Weight	4.5"	CB: 83, 53, 23	F6
Full Surface Template Concealed Bearing	Heavy Weight	4.5", 5"	4C: 83, 53, 23	F7-F8



TABLE OF CONTENTS

Description	Weight	Dimensions	Part #	Page #
Half Surface Template Plain Bearing	Standard Weight	4.5"	PB: 84, 54, 24	G1
Half Surface Template Ball Bearing	Standard Weight	4.5"	BB: 84, 54, 24	G2
Half Surface Template Ball Bearing	Heavy Weight	4.5", 5"	4B: 84, 54, 24	G3-G4
Half Surface Template Plain Bearing	Standard Weight	4.5"	CP: 84, 54, 24	G5
Half Surface Template Concealed Bearing	Standard Weight	4.5"	CB: 84, 54, 24	G6
Half Surface Template Concealed Bearing	Heavy Weight	4.5", 5"	4C: 84, 54, 24	G7-G8
<hr/>				
Swing Clear Full Mortise Template Plain Bearing	Standard Weight	3.5", 4"	SCPB: 81, 51	H1
Swing Clear Full Mortise Template Ball Bearing	Standard Weight	4.5", 4.5T, 5"	SCBB: 81, 51	H2-H4
Swing Clear Full Mortise Ball Bearing	Heavy Weight	4.5", 5"	SC4B: 81, 51	H5-H6
Swing Clear Half Mortise Ball Bearing	Heavy Weight	5"	SC4B: 82, 52	H7
Swing Clear Full Surface Ball Bearing	Heavy Weight	5"	SC4B: 83, 53	H8
Swing Clear Half Surface Ball Bearing	Heavy Weight	5"	SC4B: 84, 54	H9
Swing Clear Full Mortise Concealed Bearing	Standard Weight	4.5", 5"	SCCB: 81, 51	H10-H11
Swing Clear Full Mortise Concealed Bearing	Heavy Weight	4.5", 5"	SC4C: 81, 51	H12-H13
Swing Clear Half Mortise Concealed Bearing	Heavy Weight	5"	SC4C: 82, 52	H14
Swing Clear Full Surface Concealed Bearing	Heavy Weight	5"	SC4C: 83, 53	H15
Swing Clear Half Surface Concealed Bearing	Heavy Weight	5"	SC4C: 84, 54	H16
<hr/>				
Full Mortise Template Plain Bearing	Standard Weight Wide Throw	3.5", 4", 4.5", 5"	WTPB: 81, 51, 21	I1-I4
Full Mortise Template Ball Bearing	Standard Weight Wide Throw	3.5", 4", 4.5", 5"	WTBB: 81, 51, 21	I5-I8
Full Mortise Template Ball Bearing	Heavy Weight Wide Throw	4.5", 5"	WT4B: 81, 51, 21	I9-I10
<hr/>				
Full Mortise 3/16" Insert Ball Bearing	Standard Weight	4.5"	IT: 81, 51, 21	J1
Full Mortise 5/16" Insert Ball Bearing	Standard Weight	4.5"	IF: 81, 51, 21	J2
Full Mortise Template Raised Barrell Ball Bearing	Standard Weight	4.5"	BBRB: 81, 51	J3
Extra Heavy Duty Bearing Pivot Hinge	Heavy Weight		PV872	J4
Anchor Hinge Ball Bearing (5"/4")*	Heavy Weight	5"	AA4B:81, 51, 21	J5
Anchor Hinge Concealed Bearing (5"/4")*	Heavy Weight	5"	AA4C:81, 51, 21	J6
Anchor Hinge Ball Bearing (5"/7.5")*	Heavy Weight	5"	AB4B:81, 51, 21	J7
Anchor Hinge Concealed Bearing (5"/7.5")*	Heavy Weight	5"	AB4C:81, 51, 21	J8
Anchor Hinge Ball Bearing(5"/0)*	Heavy Weight	5"	AC4B:81, 51, 21	J9
Anchor Hinge Concealed Bearing(5"/0)*	Heavy Weight	5"	AC4C:81, 51, 21	J10
<hr/>				
Full Mortise Plain Bearing Welding Butt	Standard Weight	4.5", 5"	WBPB: 81	K1-K2
Full Mortise Ball Bearing Welding Butt	Standard Weight	4.5", 5"	WBBB: 81	K3-K4
Full Mortise Ball Bearing Welding Butt	Heavy Weight	4.5", 5"	WB4B: 81	K5-K6

*(Anchor Leaf 1/Anchor Leaf 2)



BUTT HINGES - Table 2-8A of the National Fire Protection Association (NFPA) handbook No. 80 sets forth the minimum quantity, size and weight (thickness) for swinging fire doors. Table 2-8A also stipulates that "All hinges or pivots, except spring hinges, must be of the BALL BEARING type." As far as quantity is concerned, Table 2-8A requirements correspond exactly with the hardware industry standards (up to 60 inches in height, 2 hinges and an additional hinge for each additional 30 inches or fraction thereof) and should be followed in all cases. Table 2-8A calls for size 4-1/2 inch hinges to be used on full sized doors with mortise or surface type hinge application. Good hardware practice would require 5 inch hinges to be used on doors over 3 feet 6 inch in width. The difference between 5 and 4-1/2 inch hinges, in terms of bearing surfaces, pin sizes, fastenings and weight of leaf metal, is vast. A knowledgeable hardware consultant will insist upon the larger size where wide, heavy doors are being used.

Thickness or gauge of hinge metal, more commonly referred to as weight, varies with the door size. Standard weight hinges in size 4-1/2 inch have leaves of 0.134 thickness, while heavy weight hinges in the same size have leaves of 0.180 thickness. Table 2-8A (below) allows the former to be used on

©1995 NFPA, All Rights Reserved

4'0x8'0x1-3/4" in size, while calling for the heavy on doors up to 4'0x10'0x1-3/4". Since these two requirements overlap, the practical effect is to permit standard weight hinges to be used on all size doors to and including 4'0x8'0x1-3/4", and to call for the heavy weight hinge only on larger doors.

Here again good practice calls for a somewhat different rule. If 4-1/2 inch hinges are being used, heavy weight should be provided on all door widths greater than 3'0. For door size exceeding 3'6x8'0x1-3/4" hinges should be 5 inches high on 0.190 (heavy weight) thick.

Steel hinges of the olive knuckle type may be used on labeled doors when permitted in the door manufacturer's procedure. Observe hinge and door size limitations as listed in Table 2-8A.

NOTE: ALL HINGES OR PIVOTS, EXCEPT SPRING HINGES, MUST BE OF THE BALL BEARING TYPE.

Doors up to 60 inches in height shall be provided with two hinges and an additional hinge for each additional 30 inches of height or fraction thereof.

NFPA 80-1995

80-17

INSTALLATION OF SWINGING DOORS WITH BUILDERS HARDWARE
Table 2-8A Builders Hardware

Mortise and Surface Hinges, Pivots, or Spring Hinges for Swinging Doors

Doors up to 60 in. (1.52 m) in height shall be provided with two hinges and an additional hinge for each additional 30 in. (0.76m) of door height or fraction thereof. The distance between hinges may exceed 30 in. (0.76 m). When spring hinges are used, at least two shall be provided.

Door Rating, Hr	Maximum Door Size				Minimum Hinge Size		Type Hinge			
	Width, Ft (m)	Height Ft (m)	Height In. (mm)	Thickness In. (mm)						
For 1-3/4-In. (44.5-mm) or Thicker Doors										
3	1-1/2	1	3/4	1/2	1/3	4 (1.22)	10 (3.05)	4-1/2 (114.3)	0.180 (4.57)	Steel, Mortise or Surface
3	1-1/2	1	3/4	1/2	1/3	4 (1.22)	8 (2.44)	4-1/2 (114.3)	0.134 (3.40)	Steel, Mortise or Surface
	1-1/2	3/4		1/2	1/3	3 ft. 2 in. (0.96)	8 (2.44)	6 (152.4)	0.225 (5.72)	Steel-Olive Knuckle or Paumelle
3	1-1/2	3/4	3/4	1/2	1/3	4 (1.22)	10 (3.05)	4 (101.6)	0.225 (5.72)	Steel Pivots (including top, bottom and intermediate)
	1-1/2	1	3/4	1/2	1/3	3 (0.91)	5 (1.52)	4 (101.6)	0.130 (3.30)	Steel, Mortise or Surface
	1-1/2	1	3/4	1/2	1/3	2 (0.61)	3 (0.91)	3 (76.2)	0.092 (2.34)	Steel, Mortise or Surface
3	1-1/2	1	3/4	1/2	1/3	3 (0.91)	7 (2.13)	4-1/2 (114.3)	0.134 (3.40)	Steel, Mortise or Surface (labeled self-closing spring type)
3	1-1/2	1	3/4	1/2	1/3	3 (0.91)	7 (2.13)	4 (101.6)	0.105 (2.67)	Steel, Mortise or Surface (labeled self-closing spring type)
For 1-3/8-In. (34.93-mm) Doors										
3	1-1/2		3/4	1/2	1/3	3 (0.91)	7 (2.13)	3-1/2 (88.9)	0.123 (3.12)	Steel, Mortise or Surface
3	1-1/2	1	3/4	1/2	1/3	2 ft. 8 in. (0.81)	7 (2.13)	3-1/2 (88.9)	0.105 (2.67)	Steel, Mortise or Surface (labeled self-closing spring type)

- NOTE 1:** All hinges or pivots, except spring hinges, shall be of the ball bearing type. Hinges or pivots employing other antifriction bearing surfaces are permitted if they meet the test requirements of *Standard for Butts and Hinges* (ANSI A156.1). Spring hinges shall be labeled.
- NOTE 2:** 4-1/2 in. (114-mm) high, 0.180 in. (4.57-mm) thick hinges should be used on doors which are usually wide and heavy or which will receive high frequency use or unusual stress.
- NOTE 3:** Some manufacturers may provide fire doors with hinges of lighter weight which are not ball bearing when they are part of a listed assembly and meet the test requirements of ANSI A156.1 and have been tested to a minimum of 350,000 cycles.
- NOTE 4:** Pivot sets made up of components smaller and/or of a lighter gauge than shown in Table 2-8A may be used provided they meet the requirements of ANSI A156.4 *Door Controls (Closers)*, and are in accordance with the manufacturers' labeled service procedures.



APPLICATION DETERMINES KIND OF HINGE

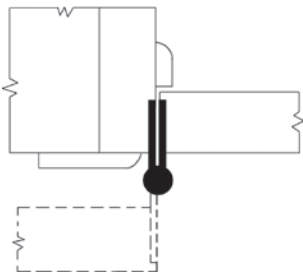
Use Three Hinges To A Door - Use Anti-Friction Bearing Hinges On Doors Equipped With Closers

TO SELECT THE PROPER HINGE THE FOLLOWING FACTORS SHOULD BE CONSIDERED

- The material of the door and frame determine method of application, i.e. mortised, surface mounted, half surface mounted, or half mortised.
- The size, thickness and weight of the door - Wider doors, put more strain on hinges, so taller hinges should be used. Thicker doors require wider hinges. Heavy doors require taller, heavier gauge, narrower hinges.
- Clearance of the trim when a door swings 180° effects the width of the hinge.
- The frequency of use and the abuse the door will be subjected to effect hinge choice ... heavy duty ball bearing, average ball bearing or non-ball bearing hinges. It also effects the need for additional hardware such as closers, panic devices, etc.

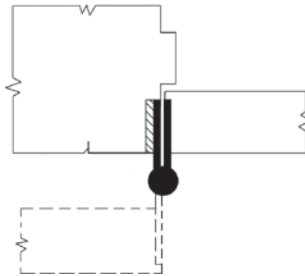
FULL MORTISE

Wood Doors, Wood Frame



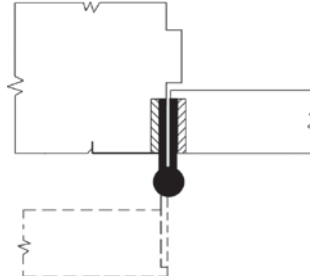
FULL MORTISE

Wood Doors, Hollow Metal Frame



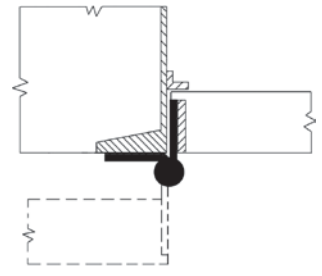
FULL MORTISE

Hollow Metal Doors, Hollow Metal Frame



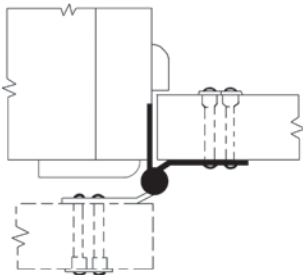
HALF MORTISE

Hollow Metal Doors, Channel Iron Frame



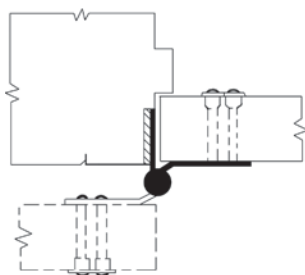
HALF SURFACE

Wood Doors, Wood Frame



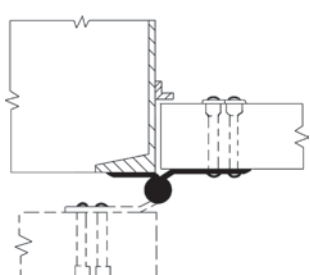
HALF SURFACE

Mineral Core Doors, Hollow Metal Frame



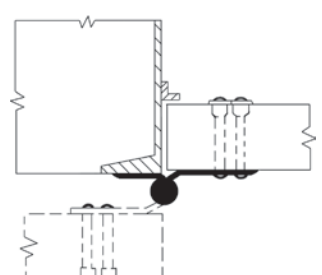
FULL SURFACE

Mineral Core Doors, Channel Iron Frame



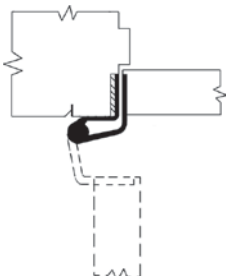
FULL SURFACE

Hollow Metal Doors, Channel Iron Frame



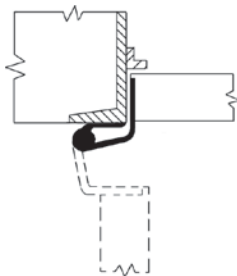
“SWING CLEAR” FULL MORTISE

Wood Doors, Hollow Metal Frame



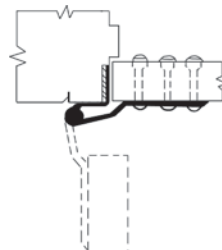
“SWING CLEAR” HALF MORTISE

Wood Doors, Channel Iron Frame



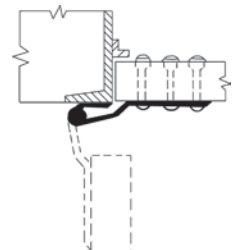
“SWING CLEAR” HALF SURFACE

Mineral Core Doors, Hollow Metal Frame



“SWING CLEAR” FULL SURFACE

Mineral Core Doors, Channel Iron Frame





GENERAL INFORMATION

HOW TO SELECT THE PROPER WEIGHT AND BEARING STRUCTURE

There are three groups of hinges:

- Standard Weight - Plain Bearing
- Standard Weight - Ball Bearing
- Heavy Weight - Ball Bearing

To determine the weight and structure of the hinge you must consider:

1. Frequency of use
2. Weight of door
3. Weight of door hardware

Ball bearing hinges should always be used on doors where door closers are applied and in all fire rated openings. Heavy weight ball bearing hinges should be used on heavy doors and high frequency use doors.

HOW TO DETERMINE THE FREQUENCY OF USE

Frequency Of Use General Guidelines

TYPE OF BUILDING/USE	EXPECTED DAILY	FREQUENCY YEARLY
HIGH FREQUENCY		
Large Department Store Entrance	5,000	1,825,000
Large Office Building Entrance	4,000	1,460,000
Hospital Corridor and Surgical Doors	5,000	1,825,000
School Entrance	1,250	356,250
Office Stairwell	500	182,500
MEDIUM FREQUENCY		
Hospital Consultation Rooms	100	36,500
School Corridor	100	36,500
Office Building Corridor	80	29,200
Storage Room	50	18,250
LOW FREQUENCY		
Residential Entrance	30	10,950
Residential Interior	20	7,300

HOW TO DETERMINE THE DOOR WEIGHT

Estimated Door Weights in Pounds Per Sq. Foot

COMMERCIAL FLUSH WOOD DOOR WEIGHTS					
Estimated Door Weights in Pounds Per Sq. Foot					
DOOR THICKNESS:	1-3/8"	1-3/4"	2"	2-1/4"	2-1/2"
DOOR MATERIAL:					
Ash	4.5	5.3	6.0	6.8	7.5
Birch	3.8	4.3	5.0	5.6	6.3
Fir	3.0	3.5	4.0	4.5	5.0
Mahogany	4.5	5.3	6.0	6.8	7.5
Oak	6.0	7.3	8.0	9.0	10.0
White Pine	3.0	3.5	4.0	4.0	5.0
Res. Hollow Core	1.7	2.5	-	-	-
Inst. Hollow Core	-	3.2	-	-	-
Staved Core	3.3	4.2	-	5.4	-
Particle Board Core	4.0	5.0	-	-	-
Mineral Core	-	4.0	-	-	-
Acoustic Core	-	8.3	-	10.6	-
Hollow Metal 18 gauge	4.3	4.6	-	-	-
Hollow Metal 16 gauge	5.4	5.8	-	-	-
Hollow Metal 15 gauge	6.2	6.5	-	-	-
Hollow Metal 14 gauge	7.0	7.3	-	-	-
Hollow Metal 13 gauge	8.3	8.7	-	-	-
Hollow Metal 12 gauge	9.9	10.2	-	-	-
Hollow Metal 11 gauge	11.2	11.6	-	-	-
Hollow Metal 10 gauge	12.8	13.0	-	-	-
1-3/4" Wood + 1/16" Lead	-	8.7	-	-	-
1-3/4" Wood + 1/8" Lead	-	12.4	-	-	-
1-3/4" Wood + 3/16" Lead	-	16.1	-	-	-
1-3/4" Wood + 1/4" Lead	-	19.8	-	-	-
1-3/4" Wood + 3/8" Lead	-	27.2	-	-	-
1-3/4" Wood + 1/2" Lead	-	34.6	-	-	-

The above table represents relative weights of most common doors and is intended to be a guide or approximation.

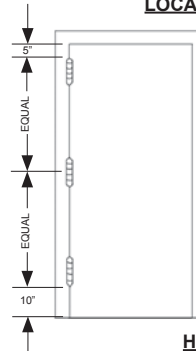
HOW TO SELECT THE PROPER HINGE SIZE

1. Door Height
2. Door Weight
3. Door Width
4. Door Thickness
5. Trim Dimension Required

First find the height of hinge. **The following chart is only an example.** Job situation will vary.

THICKNESS OF DOOR IN INCHES	WIDTH OF DOOR IN INCHES	HEIGHT OF HINGE IN INCHES
1-3/8" Door	To 32"	3-1/2"
1-3/8" Door	32" to 36"	4"
1-3/4" Door	To 36"	4-1/2"
1-3/4" Door	36" to 48"	5"
1-3/4" Door	Over 48"	6"
2", 2-1/4", 2-1/2" Door	To 42"	5" Heavy Weight
2", 2-1/4", 2-1/2" Door	Over 42"	6" Heavy Weight

LOCATION OF HINGES ON DOORS



Top hinge 5" from jamb rabbet to top edge of barrel.

Bottom hinge 10" from bottom edge of barrel to finished floor.

Third hinge centered between top and bottom hinges.

The above is U.S. Standards procedure.

* Certain western states use as standard 7" from top and 11" from the bottom.

HOW TO DETERMINE THE NUMBER OF HINGES PER DOOR

-As a general rule you will want to use 1 hinge per every 30" of door or fraction thereof.

-Referring to door height:

-Doors up to 60" - 2 hinges, doors over 60" but not over 90" - 3 hinges, doors over 90" but not over 120" - 4 hinges.

HOW TO DETERMINE THE HINGE WIDTH

You need:

1. Door Thickness
2. Backset
3. Clearance required

Wood Door x Wood Frame: The door would be flush with the casing or face of the frame.

Wood or Metal Door x Hollow Metal Frame: The door inset would be 1/8".

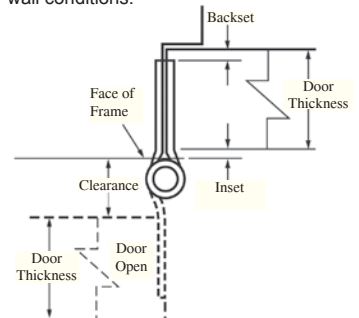
Doors up to 2-1/4" Thick: The hinge is set back 1/4" from the back face of the door.

Doors over 2-1/4" Thick: The hinge is set back 3/8" from the back face of the door.

Once these dimensions are known you can apply the following formula:

Thickness of Door		Clearance Required		Open Width of Hinge	
inches	mm	inches	mm	inches	mm
1 3/8"	35	1 1/4"	33	3 1/2"	89
		1 3/4"	44	4"	102
1 3/4"	44	1"	25	4"	102
		1 1/2"	38	4 1/2"	114
		2"	51	5"	127
2"	51	3"	76	6"	152
		1"	25	4 1/2"	114
		1 1/2"	38	5"	127
2 1/4"	57	2 1/2"	64	6"	152
		1"	25	5"	127
2 1/2"	64	2"	51	6"	152
		3/4"	19	5"	127
3"	76	1 3/4"	44	6"	152
		3/4"	19	6"	152
		2 3/4"	70	8"	203
		4 3/4"	121	10"	254

Take the door thickness, minus the backset, times two, plus the clearance required plus inset (if any). If the size is not standard move up to the next larger hinge width. The first dimension of a full Mortise hinge is the hinge height. The second dimension is the hinge width when both leaves are in the open position. It may be necessary to extend the width of the hinge to clear trim or wall conditions.





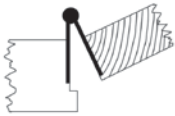
GENERAL INFORMATION

A4

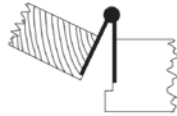
HAND OF DOORS

All doors are handed - right or left. The following illustration indicated clearly this "handing" as it is understood within the hardware industry.

REGULAR DOORS OPENING IN



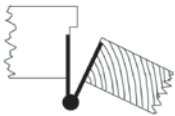
OUTSIDE
Left hand door
takes
left hand hinges



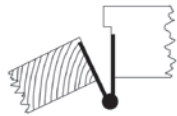
OUTSIDE
Right hand door
takes
right hand hinges

REVERSED DOORS OPENING OUT

Including Bookcase, Closet and Cupboard Doors



OUTSIDE
Left hand reverse door
takes
right hand hinges



OUTSIDE
Right hand reverse door
takes
left hand hinges

DOUBLE ACTING

Right Side of
Hinge



OUTSIDE
Left hand door
takes
left hand hinges

Left Side of
Hinge



OUTSIDE
Left hand door
takes
left hand hinges

Outside

(Hand of door is determined from outside)

When standing on outside of door and hinges are on the right, it is right hand. When hinges are on the left, it is left hand.

A double acting door opens from you and toward you, therefore is not called reverse like a single acting door. When specifying two finishes on the same hinge, stand in the doorway facing the jamb to determine the right or left side.

TEMPLATE HINGES

All PBB template hinges are made to close tolerances and conform to the America National Standard Institutes (ANSI) specifications wherever applicable.

Template hinges will exactly fit the cutout and screw hole location in hollow metal doors and hollow metal frames made to similar template.

Each hinge is carefully inspected and held within close commercial tolerances.

We recommend the use of blueprint templates, which are available on all sizes, when physical sample of a template hinge is not required. These are drawings which show actual measurements, gauge of metal, location, and size. (Note: Some template drawings are not to scale).

Use of physical samples to make cutouts on metal doors or frames is not recommended.

HINGE SWAGING

Swaging is the slight offset in the hinge leaves which permits them to close to parallel position as the door closes.



HINGE OPENED



HINGE CLOSED

All hinges for full mortise application are swaged. Normal swaging on standard and heavy gauge hinges provides a clearance of 1/16" when leaves are parallel. Full mortise swing clear hinges have a clearance of 3/32".



HINGE OPENED



HINGE CLOSED

Hinges for full surface application are not swaged. Blank hinges are for full surface welded application and are always furnished "flat back" unless other wise specified.



HINGE WITH ONE LEAF SWAGED

When only one leaf is swaged, the non-swaged leaf is approximately 1/16" shorter. *Exception-on template hinges for metal door and metal frame application both leaves must be the same width, so specify: "Leaves must be equal."* These hinges also require right or left hand specification.



HINGE WITH ONE LEAF SWAGED FLAT

When only one leaf is swaged, the non-swaged leaf is approximately 3/32" shorter. *Exception-on template hinges for metal door and metal frame application both leaves must be the same width, so specify: "Leaves must be equal."* These hinges are handed requiring right or left hand specification.



GENERAL INFORMATION

A5

PBB has developed the exclusive Concealed Bearing hinge specifically for those who seek the ultimate in slimline hinges. The Concealed Bearing hinge combines classic simplicity of style with precision-crafted durability.

The three-knuckle hinge, with nested concealed friction free micro smooth brushings was designed for a precise new fitting that eliminates barrel bulge.

CARE IN MAINTENANCE

If a rust-resistant base is desired. PBB hinges are either zinc plated or copper plated prior to the final finishing.

Plated finishes are all well lacquered to retard oxidation of the finish.

For a BHMA specification category, a PBB hinge will meet or exceed BHMA requirements - gauge of metal, hinge size supporting specified door weight, type of finish. We are under constant testing and evaluation with both Warnock Hersey and Underwriters Laboratories.

Refinements are included such as special milling of the knuckles on all bearing hinges for proper seating of the bearing surface.

The streamline design of PBB's five-knuckle and concealed bearing series, meets the demands of today's architectural standards without sacrificing quality, strength, serviceability, or price.

LIFE-TIME BEARINGS

PBB's ball bearing hinges are available with two bearings or four bearings. Half of the Bearing unit supports the vertical load. One bearing of a two-bearing hinge carries the vertical load, and only two bearings of a four bearing hinge carry the load.

Four-bearing hinges are needed to provide continued floating silent service for the heavy doors or doors receiving frequent use.

PBB's complete line of slim, modern hinges is designed to match the needs of contemporary architecture. These fine precision crafted hinges represent our dedication to progress and our pledge to constantly provide the best in quality and style.

PRECISION BALL BEARINGS

BALL BEARING ASSEMBLIES HAVE BEEN:

- Designed to conform to the circumference of the barrel, thus giving a clean, slim appearance to the hinge
- Engineered to dependable, permanent service

FULL COUNT HIGH CARBON ALLOY STEEL BALLS.

KNUCKLE RIDES ON PRECISION HARDENED STEEL TOP RACEWAY.

THREE KNUCKLE SEPERATION OF BALL RACES PROVIDES MAXIMUM THRUST SUPPORT

ONE PIECE CUP JACKET SEALS AND PROTECTS BALLS AND RACES FROM DIRT AND MOISTURE.

PRECISION HARDENED STEEL BOTTOM RACEWAY CARRIES VERTICAL THRUST.

FOUR POINTS OF SHEAR STRENGTH ON FULL SIZE PIN

PERMANENTLY LUBRICATED WITH NON-FLUID GREASE.

THE COMPLETE LINE OF PBB'S PRECISION HINGES IS MANUFACTURED IN COMPLIANCE WITH ALL APPLICABLE FEDERAL AND ANSI SPECIFICATIONS.



ELECTRIC

Gauges available: .130, .134, .146, .180, .190

Electric hinges allow electrical current and signals to pass from jamb through the hinge into the door in an invisible manner. Available in ball bearing type only. (For options available see below, under extras).

EXTRAS

- RC - 1/4" Radius Corner
- RC5 - 5/8" Radius Corner
- NRP - Non Removable Pin
- MAX - Maximum Security Stud w/NRP
- H - Hospital Tip
- Z - Rust Resistant Base
- BP - Brass Pin
- SP - Stainless Steel Pin
- BT - Ball Tip
- ST - Steeple Tip
- UT - Urn Tip
- NH - No Holes

ELECTRIC HINGES

- EL - Electric Through Wire
- EM - Electric Monitor
- EMW - Electric Monitor w/ Through Wire

BASE MATERIALS

STEEL-

PBB Wrought Steel is *durable yet corrosive*. Best if used on interior applications where temp and humidity are controlled. Steel ball bearing hinges may be used on fire rated openings.

BRASS-

PBB Wrought Brass is *rust resistant and decorative*. Apply brass hinges where appearance is of great concern yet humidity is also a factor. Brass hinges may not be used on fire rated openings.

STAINLESS STEEL-

PBB Stainless Steel AISI Types 302/304. *Rust resistant, durable and decorative*. Apply stainless steel hinges on highly corrosive areas such as chemical storage, seacoast, or industrial areas where acids or atmospheric conditions exist. Stainless steel ball bearing hinges may be used on fire rated openings.



COMPARISON CHART PART NUMBER EQUIVALENTS

A6

TYPE	PBB	ANSI	HAGER	MCKINNEY	STANLEY	BOMMER
2 KNUCKLE BALL BEARING HEAVY WEIGHT STEEL	2H81	A8111	AB930	TA3750	-	-
2 KNUCKLE BALL BEARING STEEL	2B81	A8112	AB920	TA2731	CB700	-
2 KNUCKLE PLAIN BEARING STEEL	2P81	A8133	920	T2731	700	-
BALL BEARING 3/16" INSERT STEEL	IT81	A8152	BB1278	TYPEITB2714	FBB179 SLIPIN	BB5050
BALL BEARING 5/16" INSERT STEEL	IF81	A8142	BB1277	TYPEIITB2714	FBB179 SLIPIN	BB5050
BALL BEARING BRASS	BB21	A2112	BB1191	TB2314	FBB191	BB5001
BALL BEARING HEAVY WEIGHT BRASS	4B21	A2111	BB1199	T4B3386	FBB199	BB5005
BALL BEARING HEAVY WEIGHT STAINLESS	4B51	A5111	BB1199	T4B3386	FBB199	BB5006
BALL BEARING HEAVY WEIGHT STEEL	4B81	A8111	BB1168	T4B3786	FBB168	BB5004
BALL BEARING STAINLESS	BB51	A5112	BB1191	TB2314	FBB191	BB5002
BALL BEARING STEEL	BB81	A8112	BB1279	TB2714	FBB179	BB5000
BEARING SWING CLEAR FULL SURFACE HEAVY WEIGHT STEEL	SC4B83	A8321	BB1266	T4A3797	FBB266	BB5224
BEARING SWING CLEAR HALF MORTISE HEAVY WEIGHT STEEL	SC4B82	A8221	BB1264	T4A3789	FBB264	BB5124
BEARING SWING CLEAR HALF SURFACE HEAVY WEIGHT STEEL	SC4B84	A8421	BB1270	T4A3796	FBB269	BB5324
BEARING SWING CLEAR HEAVY WEIGHT STEEL	SC4B81	A8121	BB1262	T4A3795	FBB268	BB8024
BEARING SWING CLEAR STEEL	SCBB81	A8122	BB1260	TB2895	FBB248	BB8020
CONCEALED BEARING HEAVY WEIGHT PRISON HINGE STAINLESS	PH51	A5111	IHTHB953	ICHTB386	UHTCB1961	-
CONCEALED BEARING STEEL	CB81	A8112	BB700	TA714	CB1900	BB8000
CONCEALED HEAVY WEIGHT BALL BEARING BRASS	4C21	A2111	BB850	TA386	CB1961	BB8005
CONCEALED HEAVY WEIGHT BALL BEARING STAINLESS	4C51	A5111	BB850	TA386	CB1961	BB8006
CONCEALED HEAVY WEIGHT BALL BEARING STEEL	4C81	A8111	BB750	TA786	CB1901	BB8004
CONCEALED PLAIN BEARING STEEL	CP81	A8133	700	T714	1900	8000
CONTINUOUS HINGE ALUMINUM	CH31	-	780	MCK	662	FM
CONTINUOUS HINGE STAINLESS	CH51	-	790	MCK300	651	-
FULL SURFACE STEEL	BB83	A8312	BB2171	TB2771	FBB171	BB5200
HALF MORTISE STEEL	BB82	A8212	BB1129	TB2774	FBB167	BB5100
HALF SURFACE STEEL	BB84	A8412	BB1173	TB2772	FBB173	BB5300
PLAIN BEARING BRASS	PB21	A2133	1191	T2314	F191	5001
PLAIN BEARING STAINLESS	PB51	A5133	1191	T2314	F191	5002
PLAIN BEARING STEEL	PB81	A8133	1279	T2714	F179	5000
RESIDENTIAL PLAIN BEARING STEEL	RP81	A8184	1741	1400	741	-
RESIDENTIAL SPRING HINGE DOOR CLOSER	RS81	K8107-1F	1251	1502	2060	4300
SPRING HINGE DOOR CLOSER	SP81	K8107-1F	1250	1502	2060	4310
SPRING HINGE SINGLE ACTING	SA81	K8107-1F	-	-	-	4030
WELDING BUTT STEEL	WB81	A8112	-	-	-	-
WIDE THROW BALL BEARING STEEL	WTBB81	A8112	WTBB1299	TA2798	FBB179WT	BB5010
WIDE THROW HEAVY WEIGHT STEEL	WT4B81	A8111	WTBB1168	T4A3786	FBB168WT	BB5014
WIDE THROW PLAIN BEARING STEEL	WTPB81	A8133	WT1279	-	F179WT	5010



LEED CERTIFICATION

A3

LEED Certification-U.S. Green Building Council

This notice is in response to the use of several of our products to help achieve Leadership in Energy & Environmental Design (LEED) certification. It references the LEED Green Building Rating System for new Construction & Major Renovations (LEED-NC) as published by the United States Green Building Council (USGBC). The following table outlines different materials for PBB Commercial hinges support MR Credit 4.1, 4.2, and MR Credit 5.1:

Brand	Product	Post Consumer Recycled Content	Post Industrial Recycled Content	Total LEED Recycled Content Percentage
PBB	Barrel Type Steel Continuous Hinges	15%	10	20%
PBB	Barrel Type Stainless Steel Continuous Hinges	15%	10	20%

The total is calculated using 100% of Post Consumer and 50% of Post Industrial.

Brand	Product	Post Consumer Recycled Content*	Pre-Consumer Recycled Content**	Total LEED Recycled Content Percentage
PBB	Commercial Steel Spring Hinges	15%	0	20%
PBB	Commercial Stainless Steel Spring Hinges	15%	0	20%

*Recycled content defined in accordance with industry standards.

**Pre-consumer recycled content refers to waste material that is diverted from the waste stream and immediately placed back into the production cycle.

Brand	Product	Post Consumer Recycled Content	Pre-Consumer Recycled Content***+	Total LEED Recycled Content Percentage
PBB	Commercial Steel Hinges	15%	0	15%
PBB	Commercial Stainless Steel Hinges	25%	0	25%
PBB	Commercial Brass and Bronze Hinges	35%	0	35%

*Recycled content defined in accordance with industry standards.

**Pre-consumer recycled content refers to waste material that is diverted from the waste stream and immediately placed back into the production cycle.

+Waste materials generated by the production of PBB hinges are collected and shipped off site where it then reenters the recycle stream.

LEED Category: Material and Resources (MR)

MR Credit(s) 4.1 and 4.2 Recycled Content: Post Industrial

Product contains post industrial content as defined by Guides for the Use of Environmental Marketing Claims, 16 CFR 260.7 (e) (available at www.ftc.gov/bcp/gmrnrule/guides980427.htm) and therefore qualify as credit.

MR Credit(s) 4.1 and 4.2 Recycled Content: Post Consumer

Product contains post industrial content as defined by Guides for the Use of Environmental Marketing Claims, 16 CFR 260.7 (e) (available at www.ftc.gov/bcp/gmrnrule/guides980427.htm) and therefore qualify as credit.

MR Credit 5.1 Regional Materials: Manufactured Regionally

The hinges are manufactured by PBB, Inc. in Yangzhou, China. If this facility is less than 500 miles from the project site, they qualify for credit.



EXPLANATION OF NUMBERING SYSTEMS & SYMBOLS

FIRST TWO/FOUR CHARACTER DENOTES STYLE/FUNCTION OF HINGE:

2B	=	2 Knuckle Ball Bearing
2H	=	2 Knuckle Ball Bearing Heavy Weight
2P	=	2 Knuckle Plain Bearing
4B	=	4 Ball Bearing Heavy Weight
4C	=	Concealed Bearing Heavy Weight
4F	=	5 Knuckle Concealed Heavy Weight
PB	=	Plain Bearing
BB	=	Ball Bearing
CP	=	Concealed Plain Bearing
CB	=	Concealed Bearing
CH	=	Continuous Heavy Weight
FB	=	5 Knuckle Concealed Bearing
IT	=	3/16" Slip-In Insert
IF	=	5/16" Slip-In Insert
PF	=	Concealed Bearing Heavy Weight Prison Hinge
RB	=	Raised Barrel
RS	=	Residential Spring Hinge
RP	=	Residential Plain Bearing
SP	=	Spring Hinge
SC4B	=	Swing Clear Heavy Weight
SCPB	=	Swing Clear Plain Bearing
SCBB	=	Swing Clear Ball Bearing
WT4B	=	Wide Throw Heavy Weight
WTPB	=	Wide Throw Plain Bearing
WTBB	=	Wide Throw Ball Bearing
WB	=	Welding Butt

THIRD/FIFTH CHARACTER DENOTES BASE MATERIAL USED:

8	=	Wrought Steel
5	=	Stainless Steel
3	=	Aluminum
2	=	Wrought Brass

FOURTH/SIXTH CHARACTER DENOTES TYPE OF HINGE:

1	=	Full Mortise
2	=	Half Mortise
3	=	Full Surface
4	=	Half Surface

Example 1 = PB81

PB = Plain Bearing
 8 = Steel
 1 = Full Mortise

Example 2 = 4B24

4B = Four Bearing Heavy Weight
 2 = Brass
 4 = Half Surface

Example 3 = SP51

SP = Spring Hinge
 5 = Stainless Steel
 1 = Full Mortise

Example 4 = SC4B83

SC4B = Swing Clear Heavy Weight
 8 = Steel
 3 = Full Surface



**PBB CERTIFIED COMPLIANCE
TO ANSI/BHMA PRODUCT STANDARDS**

MATERIAL CERTIFICATIONS

Material used in the manufacturing of the PBB hinges are certified first quality, meeting ANSI requirements A156.18, Section 4.1. The metals used in the making of PBB hinges are Wrought Steel, Stainless Steel and Wrought Brass. Each of the base materials has a different quality about them, please read our selection of materials on page 5 of this catalog.

FINISH CERTIFICATIONS

Finishes are in strict accordance with ANSI standards. Finish testing has been completed satisfactorily for USP - prime coat, US26D - satin chrome, US10A - satin bronze, oxidized & lacquered, US-3 - polish brass plated & lacquered and stainless steel.

CYCLE TESTING CERTIFICATION

Cycle testing has been completed successfully in accordance with ANSI/BHMA A156.1-2000 for:

- Grade 1, Heavy Weight Ball Bearing Hinge for 2,500,000 cycles
- Grade 2, Ball Bearing Hinge for 1,500,000 cycles
- Grade 3, Plain Bearing Hinge for 350,000 cycles

Spring hinge door closer Model SP81 and SP51 was subjected to and passed a 1,000,000 cycle test in accordance with Underwriter Laboratories for door holder closers, with or without integral smoke detectors. The spring hinge has been granted the listing mark of Underwriter Laboratories, Inc. Number UL 49S6 and is listed by U.L. to Grade 1. Copies of the above test results are on file.

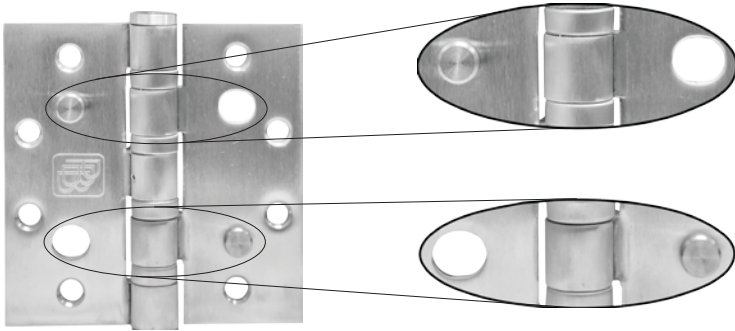
PBB's product is under constant testing with Warnock Hersey, ITS and Underwriters Laboratories. Copies of test results are on file.





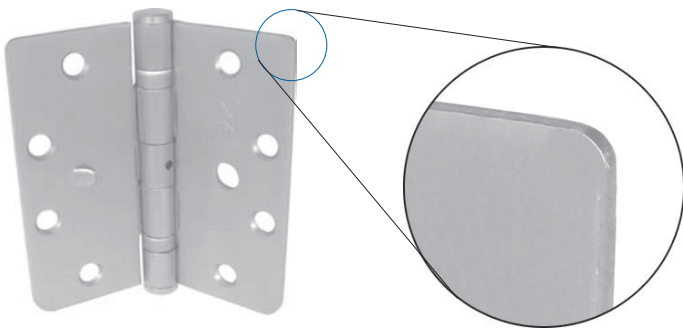
ADDED EXTRA FEATURES

A11



Security Hinge (Suffix S)

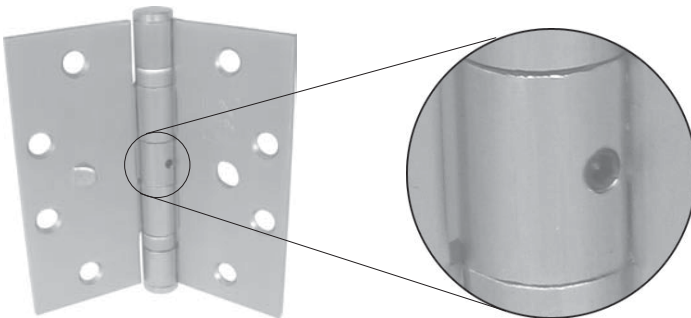
Maximum security offered to prevent slipping of leaves as stud on one leaf projects into hole in opposite leaf when hinge is in closed position. Full mortise hinges only
Non-Removable pin feature included. This feature is intended as a deterrent only.



Round Corners (Suffix R=1/4", R2=5/32", R5=5/8")

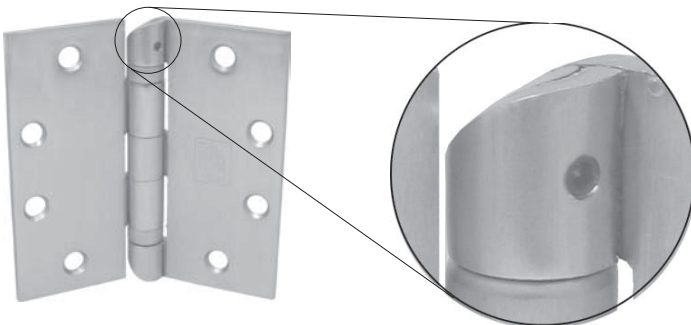
Round Corners-5/8", 1/4", 5/32" radius corners available on all hinges

Please specify size when ordering product



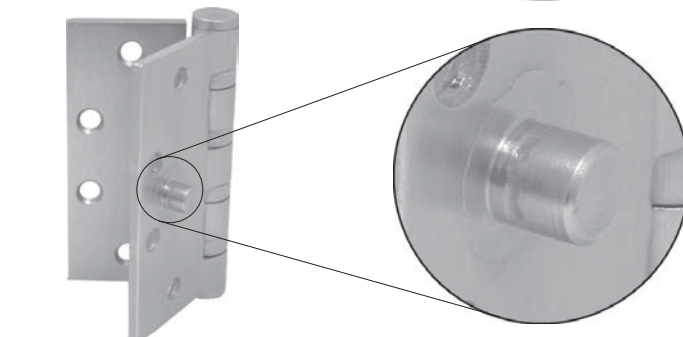
Non Removable Pin (Suffix N)

Set screw tapped into barrel and set against groove in pin. Set screw inaccessible when the door is in closed position. N.R.P. is intended as a deterrent only and not considered for high security applications.



Hospital Tip (Suffix H)

Hospital tip hinges have radius knuckle ends which are sloped to prevent the hanging or mounting of objects on them.



Shear Resistance Stud (Suffix SS)

A 7/16" diameter stud that projects from the back of each hinge leaf which slips into a hole in the reinforcing plate of both the frame and the door. This prevents hinge removal if the screws have been sheared off from abuse of hinge battering. This feature is intended as a deterrent only.



DECORATOR TIPS/PIN BODY SETS FEATURES

A12

Ball Tips

Standard Weight
Tips-BT45



Heavy Weight
Tips-BT45EH

Steeple Tips

Standard Weight
Tips-ST45



Heavy Weight
Tips-ST45EH

Urn Tips

Standard Weight
Tips-UT45



Heavy Weight
Tips-UT45EH

Classic Tips

Standard Weight
Tips-CT45



Heavy Weight
Tips-CT45EH

Globe Tips

Standard Weight
Tips-GT45



Heavy Weight
Tips-GT45EH

Queen Tips

Standard Weight
Tips-QT45



Heavy Weight
Tips-QT45EH

NOTE: Conversion tips and pins for architectural grades:

Standard Weight - 3-1/2", 4", 4-1/2", 5"

Heavy Weight - 4-1/2", 5"

ALL TIPS AVAILABLE IN ANY FINISH.

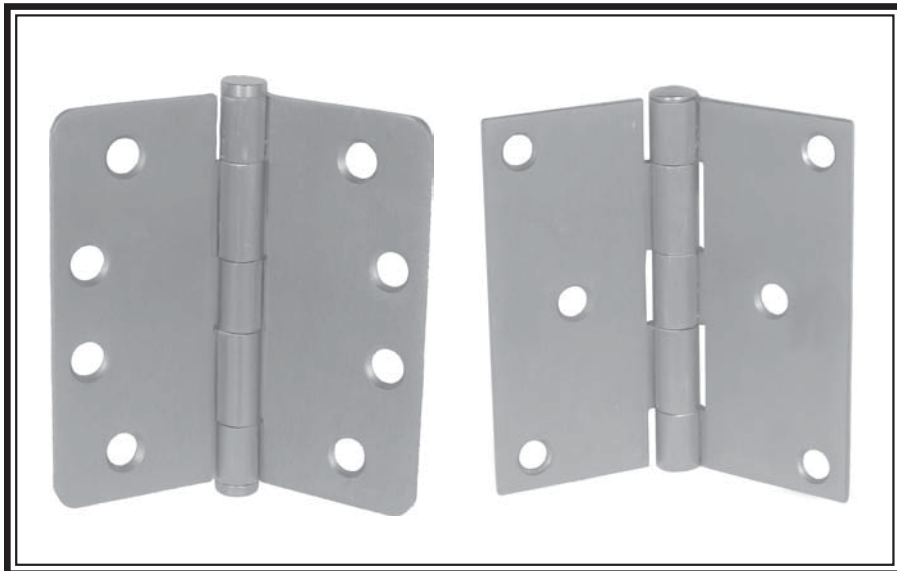


FULL MORTISE TEMPLATE PLAIN BEARING

RESIDENTIAL WEIGHT

3" x 3" 3 1/2" x 3 1/2" 4" x 4"

B1



RP81 (A8184)

Steel-Polished and Plated or Bonderized and Prime Coated for Painting.

RP21 (A2184)

Brass-Polished and Plated

RP51 (A5184)

Stainless Steel-Polished and Satin Finish

•For use on residential 1-3/4" and 1-3/8" light weight, low frequency doors hung in wood jambs receiving average usage in residential construction.

•3", 3 1/2", 4" available in square, 5/8" and 1/4" Radius Round Corners.

GENERAL PRODUCT INFORMATION: PBB, Inc. template hinges are manufactured to close tolerances and meet all specifications and requirements set by the American National Standards Institute (ANSI).

OTHER SPECIFICATIONS:

Height of hinge:
 3.00 ± .010 for 3" x 3"
 3.50 ± .010 for 3 1/2" x 3 1/2"
 4.00 ± .010 for 4" x 4"

HINGE SWAGING: A standard swaging of our standard weight full mortise hinge when closed to parallel position provides a 1/16" clearance between leaves.

Width:
 3.00 ± .010 for 3" x 3"
 3.50 ± .010 for 3 1/2" x 3 1/2"
 4.00 ± .010 for 4" x 4"

MATERIAL GAUGE:

.092 ± .005 for 3" x 3"
 .092 ± .005 for 3 1/2" x 3 1/2"
 .098 ± .005 for 4" x 4"

3" STANDARD SCREW SIZE
PHWS - 9 x 3/4"
3 1/2" STANDARD SCREW SIZE
PHMS - 10-24 x 1/2" PHWS - 10 x 1"

4" STANDARD SCREW SIZE
PHMS - 10-24 x 1/2" PHWS - 10 x 1"

PACKAGING INFORMATION:

Hinge Size	Hinge per plastic bag	Hinges Qty Per Unit Carton	Screw Pack Per Unit Carton	Hinges Per Master Shipping Carton	Bulk Pack Pcs. Per Carton
3.0" x 3.0"	1	2	1	86	100
3.5" x 3.5"		2		86	100
4.0" x 4.0"		3		84	80

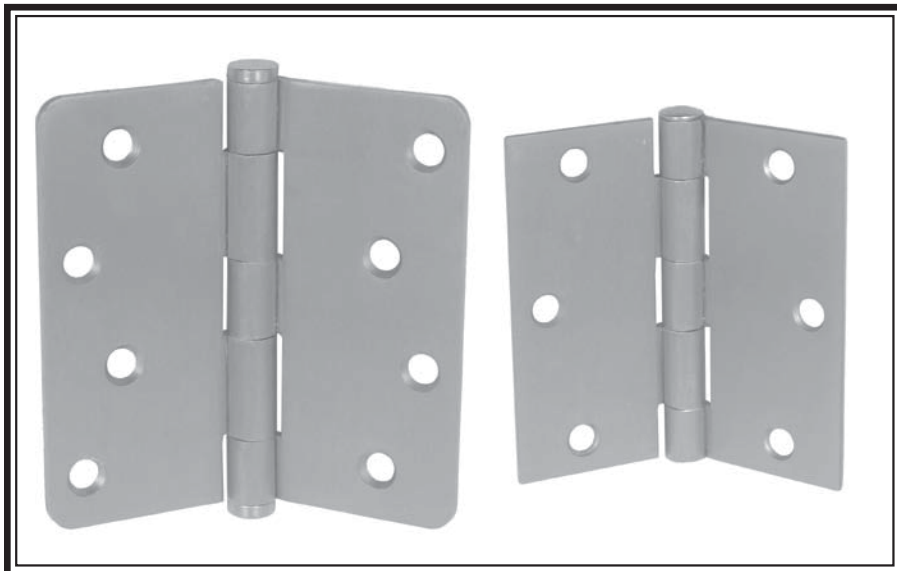


FULL MORTISE NON-TEMPLATE PLAIN BEARING

RESIDENTIAL WEIGHT

3" x 3" 3 1/2" x 3 1/2" 4" x 4"

B2



RPY81 (A8184)

Steel-Polished and Plated or Bonderized and Prime Coated for Painting.

RPY21 (A2184)

Brass-Polished and Plated

RPY51 (A5184)

Stainless Steel-Polished and Satin Finish

•For use on residential 1-3/4" and 1-3/8" light weight, low frequency doors hung in wood jambs receiving average usage in residential construction.

•3", 3 1/2", 4" available in square, 5/8" and 1/4" Radius Round Corners.

GENERAL PRODUCT INFORMATION: PBB, Inc. template hinges are manufactured to close tolerances and meet all specifications and requirements set by the American National Standards Institute (ANSI).

HINGE SWAGING: A standard swaging of our standard weight full mortise hinge when closed to parallel position provides a 1/16" clearance between leaves.

MATERIAL GAUGE:

.092 ± .005 for 3" x 3"

.092 ± .005 for 3 1/2" x 3 1/2"

.098 ± .005 for 4" x 4"

OTHER SPECIFICATIONS:

Height of hinge:

3.00 ± .010 for 3" x 3"

3.50 ± .010 for 3 1/2" x 3 1/2"

4.00 ± .010 for 4" x 4"

Width:

3.00 ± .010 for 3" x 3"

3.50 ± .010 for 3 1/2" x 3 1/2"

4.00 ± .010 for 4" x 4"

3" STANDARD SCREW SIZE
PHWS - 9 x 3/4"

3 1/2" STANDARD SCREW SIZE
PHMS - 10-24 x 1/2"
PHWS - 10 x 1"

4" STANDARD SCREW SIZE
PHMS - 10-24 x 1/2"
PHWS - 10 x 1"

PACKAGING INFORMATION:

Hinge Size	Hinge per plastic bag	Hinges Qty Per Unit Carton	Screw Pack Per Unit Carton	Hinges Per Master Shipping Carton	Bulk Pack Pcs. Per Carton
3.0" x 3.0"	1	2	1	86	100
3.5" x 3.5"		2		86	100
4.0" x 4.0"		3		84	80

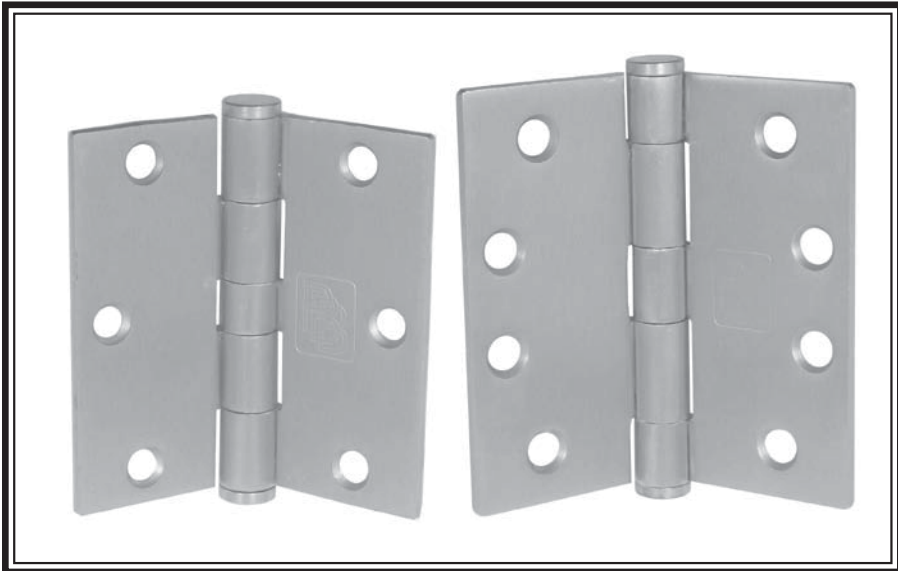


FULL MORTISE TEMPLATE PLAIN BEARING

STANDARD WEIGHT

3" x 3" 3 1/2" x 3 1/2" 4" x 4"

B3



PB81 (ANSI A8133)
Steel-Polished and Plated or Bonderized and Prime Coated for Painting.

PB21 (ANSI A2133)
Brass-Polished and Plated

PB51 (ANSI A5133)
Stainless Steel-Polished and Satin Finish

•For use on medium weight doors or doors requiring low frequency service.

•Not for use with door closers.

•For hospital type, add HT to suffix of part number.

•3", 3-1/2", 4" available in square, 5/8" and 1/4" Radius Round Corners.

•All hinges are ANSI template.

GENERAL PRODUCT INFORMATION: PBB, Inc. template hinges are manufactured to close tolerances and meet all specifications and requirements set by the American National Standards Institute (ANSI).

HINGE SWAGING: A standard swaging of our standard weight full mortise hinge when closed to parallel position provides a 1/16" clearance between leaves.

MATERIAL GAUGE:

- .092 ± .005 for 3" x 3"
- .123 ± .005 for 3-1/2" x 3-1/2"
- .130 ± .005 for 4 1/2"

OTHER SPECIFICATIONS:

- Height of hinge:
- + .000
 - 3.00 - .015 for 3" x 3"
 - + .000
 - 3.50 - .015 for 3-1/2" x 3-1/2"
 - + .000
 - 4.00 - .015 for 4" x 4"

- Width:
- 3.00 ± .015 for 3" x 3"
 - 3.50 ± .015 for 3-1/2" x 3-1/2"
 - 4.00 ± .015 for 4" x 4"

Template screw hole locations for all 3-1/2 x 3-1/2 Full Mortise Template butts are punched to Commercial Standard CS9-65.

3", 3-1/2" STANDARD SCREW SIZE
FHMS - 10-24 x 1/2"
FHWS - 10 x 1"

4" STANDARD SCREW SIZE
FHMS - 12-24 x 1/2"
FHWS - 12 x 1-1/4"

PACKAGING INFORMATION:

- One hinge per plastic bag, 3 hinges and 1 screw pack per unit carton.
- 16 unit cartons or 48 hinges per master shipping carton.
- 1 screw pack includes all machine screws (24), and 1/2 wood screws (12). ATMS & AWS also available.
- For 3-1/2 x 3-1/2, 1 screw pack includes (18) machine screws and (18) wood screws.

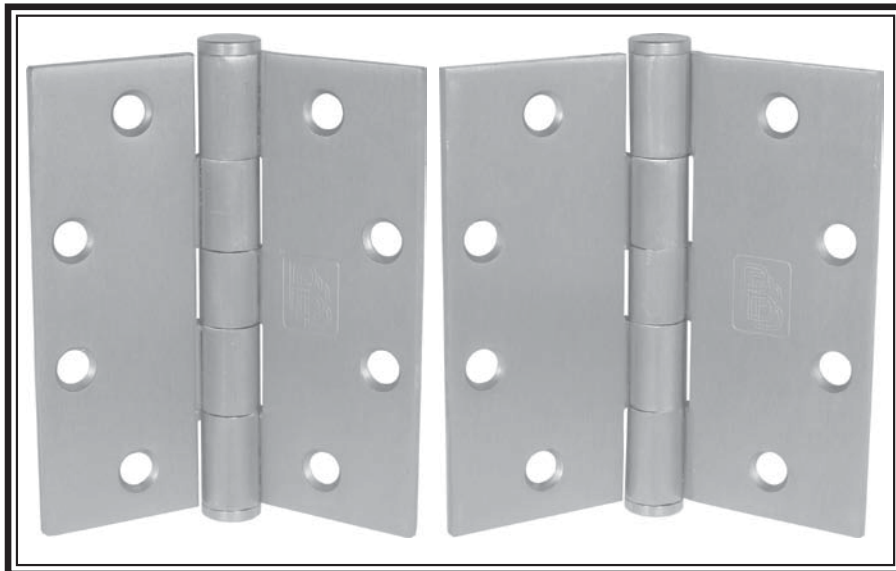
*Non-template



FULL MORTISE TEMPLATE PLAIN BEARING

STANDARD WEIGHT
4 1/2" x 4" 4 1/2" x 4 1/2"

B4



PB81 (ANSI A8133)
Steel-Polished and Plated or Bonderized and Prime Coated for Painting.

PB21 (ANSI A2133)
Brass-Polished and Plated

PB51 (ANSI A5133)
Stainless Steel-Polished and Satin Finish

- For use on medium weight doors or doors requiring low frequency service.
- Not for use with door closer.
- For hospital type, add HT to suffix of part number.
- All hinges are ANSI template.

GENERAL PRODUCT INFORMATION: PBB, Inc. template hinges are manufactured to close tolerances and meet all specifications and requirements set by the American National Standards Institute (ANSI).

HINGE SWAGING: A standard swaging of our standard weight full mortise hinge when closed to parallel position provides a 1/16" clearance between leaves.

OTHER SPECIFICATIONS:

Height of hinge:	4.50 + .000	for 4-1/2" x 4"
	4.50 - .015	
	4.50 + .000	for 4-1/2" x 4-1/2"
	4.50 - .015	
Width:	4.00 ± .015	for 4-1/2" x 4"
	4.50 ± .015	for 4-1/2" x 4-1/2"

MATERIAL GAUGE:

- .134 ± .005 for 4-1/2" x 4"
- .134 ± .005 for 4-1/2" x 4-1/2"

4-1/2" STANDARD SCREW SIZE
FHMS - 12-24 x 1/2"
FHWS - 12 x 1-1/4"

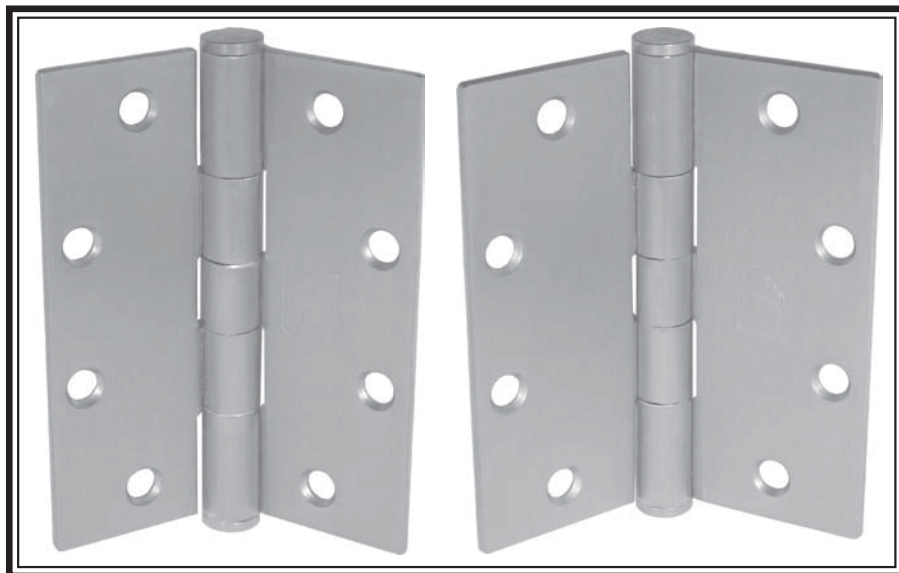
PACKAGING INFORMATION:

One hinge per plastic bag, 3 hinges and 1 screw pack per unit carton.
16 unit carton or 48 hinges per master shipping carton.
1 screw pack includes all machine screws (24), and 1/2 wood screws (12). ATMS & AWS also available.



FULL MORTISE TEMPLATE PLAIN BEARING

STANDARD WEIGHT
5" x 4" 5" x 4 1/2" 5" x 5" B5



PB81 (ANSI A8133)
Steel-Polished and Plated or Bonderized and Prime Coated for Painting.

PB21 (ANSI A2133)
Brass-Polished and Plated

PB51 (ANSI A5133)
Stainless Steel-Polished and Satin Finish

- For use on medium weight doors or doors requiring low frequency service.
- Not for use with door closers.
- For hospital type, add HT to suffix of part number.
- All hinges are ANSI template.

GENERAL PRODUCT INFORMATION: PBB, Inc. template hinges are manufactured to close tolerances and meet all specifications and requirements set by the American National Standards Institute (ANSI).

HINGE SWAGING: A standard swaging of our standard weight full mortise hinge when closed to parallel position provides a 1/16" clearance between leaves.

OTHER SPECIFICATIONS:

Height of hinge:	5.00 + .000 - .015	for 5" x 4"
	5.00 + .000 - .015	for 5" x 4-1/2"
	5.00 + .000 - .015	for 5" x 5"
Width:	4.00 ± .015	for 5" x 4"
	4.50 ± .015	for 5" x 4-1/2"
	5.00 ± .015	for 5" x 5"

MATERIAL GAUGE:

- .146 ± .005 for 5" x 4"
- .146 ± .005 for 5" x 4-1/2"
- .146 ± .005 for 5" x 5"

5" STANDARD SCREW SIZE
FHMS - 12-24 x 1/2"
FHWS - 12 x 1-1/4"

PACKAGING INFORMATION:

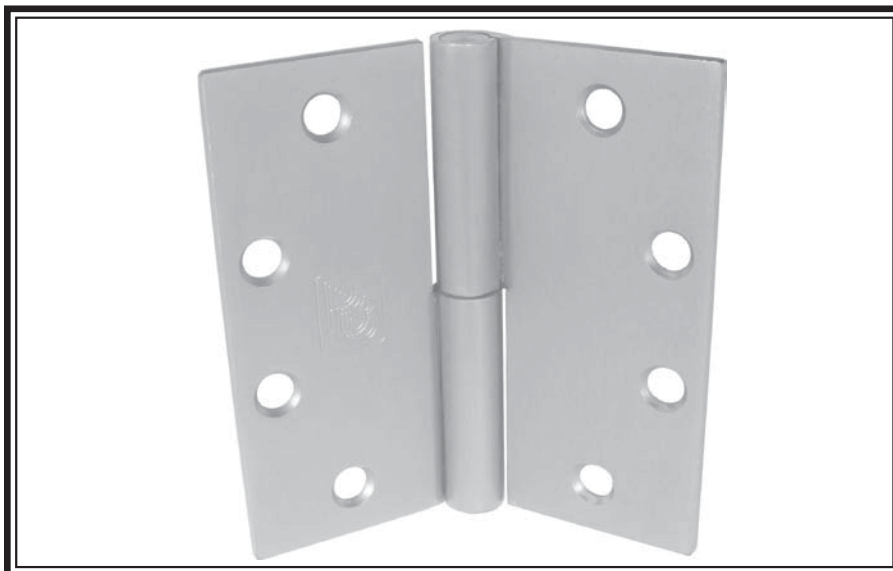
One hinge per plastic bag, 3 hinges and 1 screw pack per unit carton.
12 unit carton or 36 hinges per master shipping carton.
1 screw pack includes all machine screws (24), and 1/2 wood screws (12). ATMS & AWS also available.



2-KNUCKLE FULL MORTISE PLAIN BEARING

STANDARD WEIGHT
4 1/2" x 4" 4 1/2" x 4 1/2"

B6



2P81 (ANSI A8133)
Steel-Polished and Plated or Bonderized and Prime Coated for Painting.

2P51 (ANSI A5133)
Stainless Steel-Polished and Satin Finish

- For use on medium weight doors or doors requiring low frequency service.
- Not for use with door closer.
- Secure: Door cannot be lifted off when in closed position.
- Vertical load taken by nylon washer
- Handing of hinge is required.
- All hinges are ANSI template.

GENERAL PRODUCT INFORMATION: PBB, Inc. template hinges are manufactured to close tolerances and meet all specifications and requirements set by the American National Standards Institute (ANSI).

HINGE SWAGING: A standard swaging of our standard weight full mortise hinge when closed to parallel position provides a 1/16" clearance between leaves.

OTHER SPECIFICATIONS:

Height of hinge: + .000
 4.50 - .015 for 4-1/2" x 4"

Width: + .000
 4.50 - .015 for 4-1/2" x 4-1/2"

 4.00 ± .015 for 4-1/2" x 4"

 4.50 ± .015 for 4-1/2" x 4-1/2"

MATERIAL GAUGE:

.134 ± .005 for 4-1/2" x 4"
.134 ± .005 for 4-1/2" x 4-1/2"

4-1/2" STANDARD SCREW SIZE
FHMS - 12-24 x 1/2" FHWS - 12 x 1-1/4"

PACKAGING INFORMATION:

One hinge per plastic bag, 3 hinges and 1 screw pack per unit carton.
16 unit carton or 48 hinges per master shipping carton.
1 screw pack includes all machine screws (24), and 1/2 wood screws (12). ATMS & AWS also available.

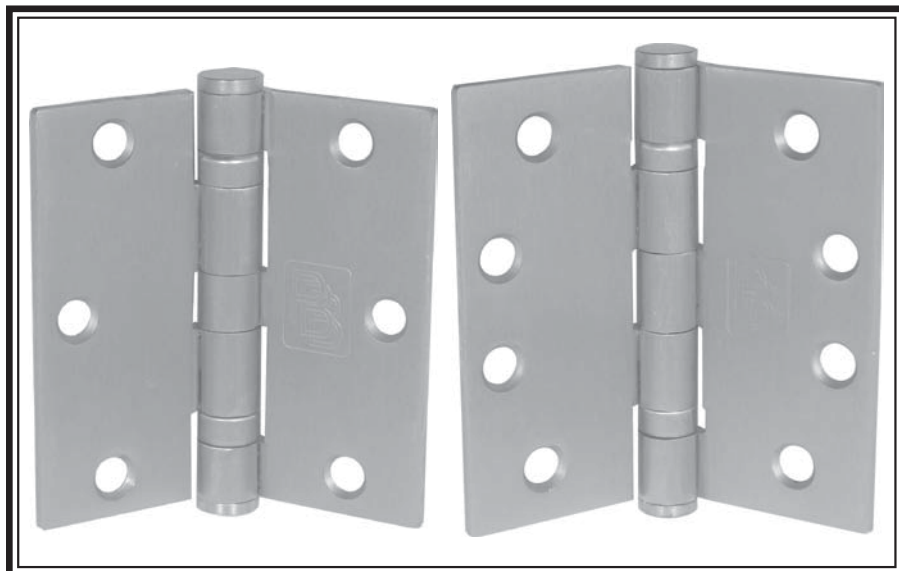


FULL MORTISE TEMPLATE BALL BEARING

STANDARD WEIGHT

3 1/2" x 3 1/2" 4" x 4"

B7



BB81 (ANSI A8112)
Steel-Polished and Plated or Bonderized and Prime Coated for Painting.

BB21 (ANSI A2112)
Brass-Polished and Plated

BB51 (ANSI A5112)
Stainless Steel-Polished and Satin Finish

- For use on medium weight doors or doors requiring average frequency service.
- Ball bearing hinges must be used on doors in conjunction with door closers and on all fire rated openings.
- For hospital type, add HT to suffix of part number.
- 3-1/2, 4" available in square, 5/8", 1/4" Radius Round Corners.
- All hinges are ANSI template.

GENERAL PRODUCT INFORMATION: PBB, Inc. template hinges are manufactured to close tolerances and meet all specifications and requirements set by the American National Standards Institute (ANSI).

HINGE SWAGING: A standard swaging of our standard weight full mortise hinge when closed to parallel position provides a 1/16" clearance between leaves.

MATERIAL GAUGE:
 .123 ± .005 for 3-1/2" x 3-1/2"
 .130 ± .005 for 4" x 4"

OTHER SPECIFICATIONS:

Height of hinge:
 3.50 + .000
 - .015 for 3-1/2" x 3-1/2"
 4.00 + .000
 - .015 for 4" x 4"
 Width:
 3.50 ± .015 for 3-1/2" x 3-1/2"
 4.00 ± .015 for 4" x 4"

Template screw hole locations for all 3-1/2 x 3-1/2 Full Mortise Template butts are punched to Commercial Standard CS9-65.

3-1/2" STANDARD SCREW SIZE
FHMS - 10-24 x 1/2" FHWS - 10 x 1"

4" STANDARD SCREW SIZE
FHMS - 12-24 x 1/2" FHWS - 12 x 1-1/4"

PACKAGING INFORMATION:

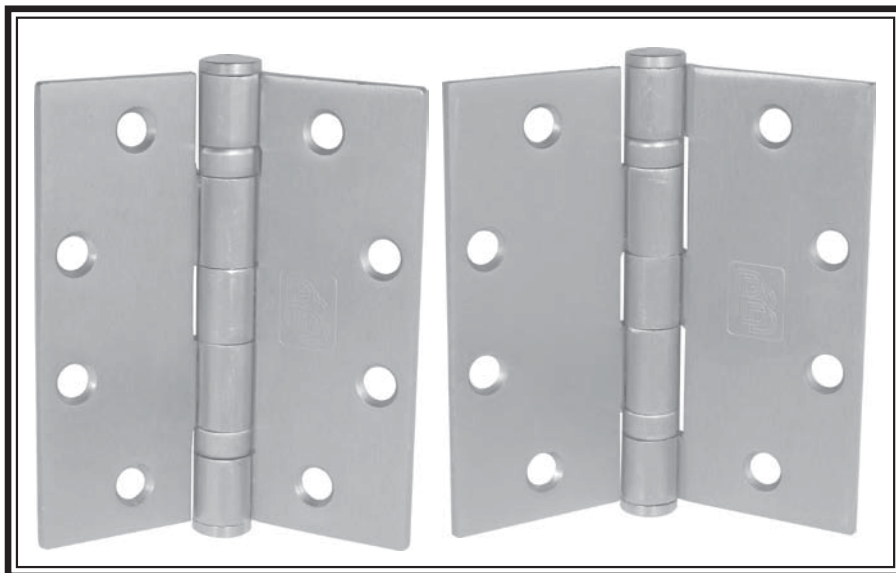
One hinge per plastic bag, 3 hinges and 1 screw pack per unit carton.
 16 unit carton or 48 hinges per master shipping carton.
 1 screw pack includes all machine screws (24), and 1/2 wood screws (12). ATMS & AWS also available.
 For 3-1/2 x 3-1/2, 1 screw pack includes (18) machine screws and (18) wood screws.



FULL MORTISE TEMPLATE BALL BEARING

STANDARD WEIGHT
4 1/2" x 4" 4 1/2" x 4 1/2"

B3



BB81 (ANSI A8112)
Steel-Polished and Plated or Bonderized and Prime Coated for Painting.

BB21 (ANSI A2112)
Brass-Polished and Plated

BB51 (ANSI A5112)
Stainless Steel-Polished and Satin Finish

- For use on medium weight doors or doors requiring average frequency service.
- Ball bearing hinges must be used on doors in conjunction with door closers and on all fire rated openings.
- For hospital type, add HT to suffix of part number.
- All hinges are ANSI template.

GENERAL PRODUCT INFORMATION: PBB, Inc. template hinges are manufactured to close tolerances and meet all specifications and requirements set by the American National Standards Institute (ANSI).

HINGE SWAGING: A standard swaging of our standard weight full mortise hinge when closed to parallel position provides a 1/16" clearance between leaves.

OTHER SPECIFICATIONS:

Height of hinge:	+ .000	
	4.50 - .015	for 4-1/2" x 4"
	+ .000	
	4.50 - .015	for 4 1/2" x 4-1/2"
Width:	4.00 ± .015	for 4-1/2" x 4"
	4.50 ± .015	for 4-1/2" x 4-1/2"

MATERIAL GAUGE:

- .134 ± .005 for 4-1/2" x 4"
- .134 ± .005 for 4-1/2" x 4-1/2"

4-1/2" STANDARD SCREW SIZE
FHMS - 12-24 x 1/2"
FHWS - 12 x 1-1/4"

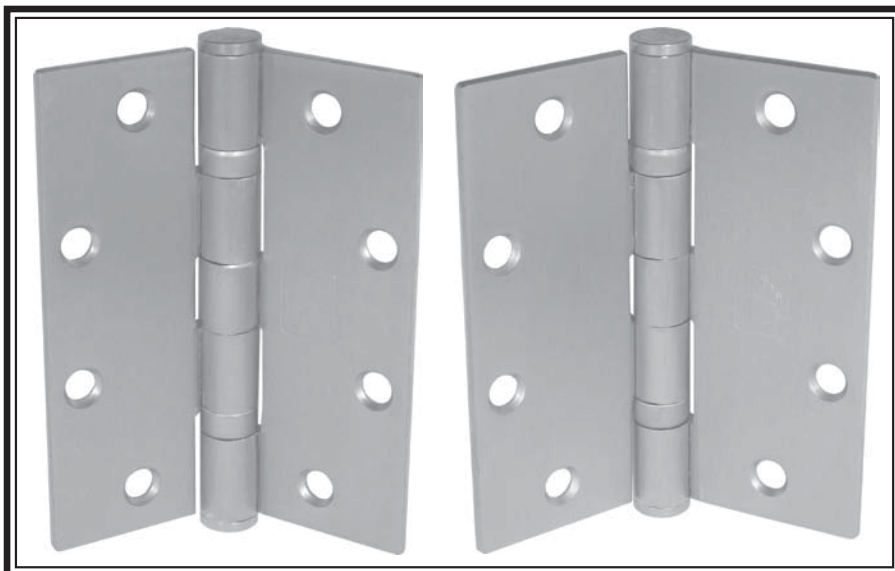
PACKAGING INFORMATION:

One hinge per plastic bag, 3 hinges and 1 screw pack per unit carton.
16 unit carton or 48 hinges per master shipping carton.
1 screw pack includes all machine screws (24), and 1/2 wood screws (12). ATMS & AWS also available.



FULL MORTISE TEMPLATE BALL BEARING

STANDARD WEIGHT
5" x 4" 5" x 4 1/2" 5" x 5" B9



BB81 (ANSI A8112)
Steel - Polished and Plated or Bonderized and Prime Coated for Painting.

BB21 (ANSI A2112)
Brass-Polished and Plated

BB51 (ANSI A5112)
Stainless Steel-Polished and Satin Finish

- For use on medium weight doors or doors requiring average frequency service.
- Ball bearing hinges must be used on doors in conjunction with door closers and on all fire rated openings.
- For hospital type, add HT to suffix of part number.
- All hinges are ANSI template.

GENERAL PRODUCT INFORMATION: PBB, Inc. template hinges are manufactured to close tolerances and meet all specifications and requirements set by the American National Standards Institute (ANSI).

HINGE SWAGING: A standard swaging of our standard weight full mortise hinge when closed to parallel position provides a 1/16" clearance between leaves.

MATERIAL GAUGE:
.146 ± .005 for 5" x 4"
.146 ± .005 for 5" x 4-1/2"
.146 ± .005 for 5" x 5"

OTHER SPECIFICATIONS:

Height of hinge:
5.00 + .000 - .015 for 5" x 4"
5.00 + .000 - .015 for 5" x 4-1/2"
5.00 + .000 - .015 for 5" x 5"

Width:
4.00 ± .015 for 5" x 4"
4.50 ± .015 for 5" x 4-1/2"
5.00 ± .015 for 5" x 5"

5" STANDARD SCREW SIZE
FHMS - 12-24 x 1/2" FHWS - 12 x 1-1/4"

PACKAGING INFORMATION:

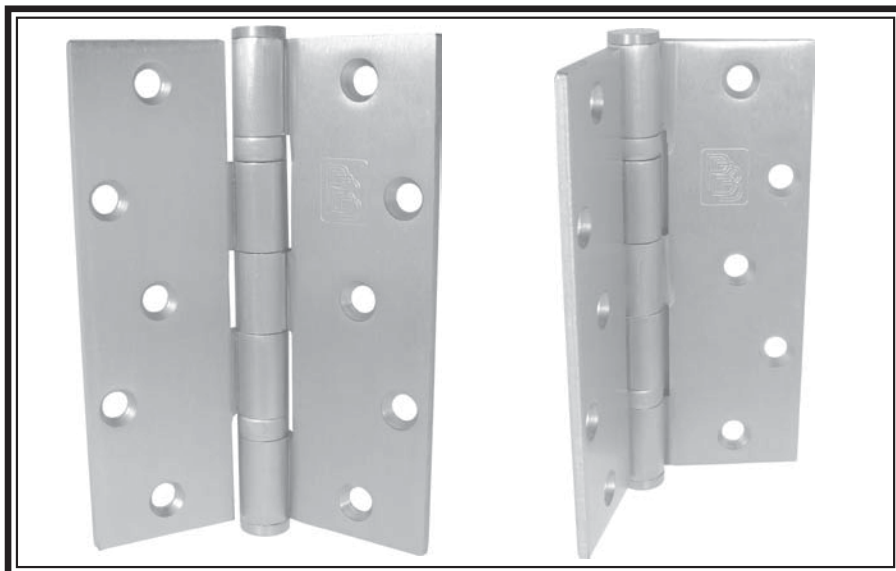
One hinge per plastic bag, 3 hinges and 1 screw pack per unit carton.
12 unit carton or 36 hinges per master shipping carton.
1 screw pack includes all machine screws (24), and 1/2 wood screws (12). ATMS & AWS also available.



FULL MORTISE TEMPLATE BALL BEARING

STANDARD WEIGHT
6" x 4 1/2" 6" x 5" 6" x 6"

B10



BB81 (ANSI A8112)
Steel-Polished and Plated or Prime Coated for Painting.

BB21 (ANSI A2112)
Brass-Polished and Plated or Prime Coated for Painting

BB51 (ANSI A5112)
Stainless Steel-Polished and Satin Finish

- For use on medium weight doors or doors requiring average frequency service.
- Ball bearing hinges must be used on doors in conjunction with door closers and on all fire rated openings.
- For hospital type, add HT to suffix of part number.
- All hinges are ANSI template.

GENERAL PRODUCT INFORMATION: PBB, Inc. template hinges are manufactured to close tolerances and meet all specifications and requirements set by the American National Standards Institute (ANSI).

HINGE SWAGING: A standard swaging of our standard weight full mortise hinge when closed to parallel position provides a 1/16" clearance between leaves.

MATERIAL GAUGE:
.160 ± .005 for 6" x 4-1/2"
.160 ± .005 for 6" x 5"
.160 ± .005 for 6" x 6"

OTHER SPECIFICATIONS:

Height of hinge:
6.00 + .000 for 6" x 4-1/2"
 - .015
6.00 + .000 for 6" x 5"
 - .015
6.00 + .000 for 6" x 6"
 - .015

Width:
4.50 ± .015 for 6" x 4-1/2"
5.00 ± .015 for 6" x 5"
6.00 ± .015 for 6" x 6"

6" STANDARD SCREW SIZE
FHMS - 1/4-20 x 1/2"
FHWS - 14 x 1-1/2"

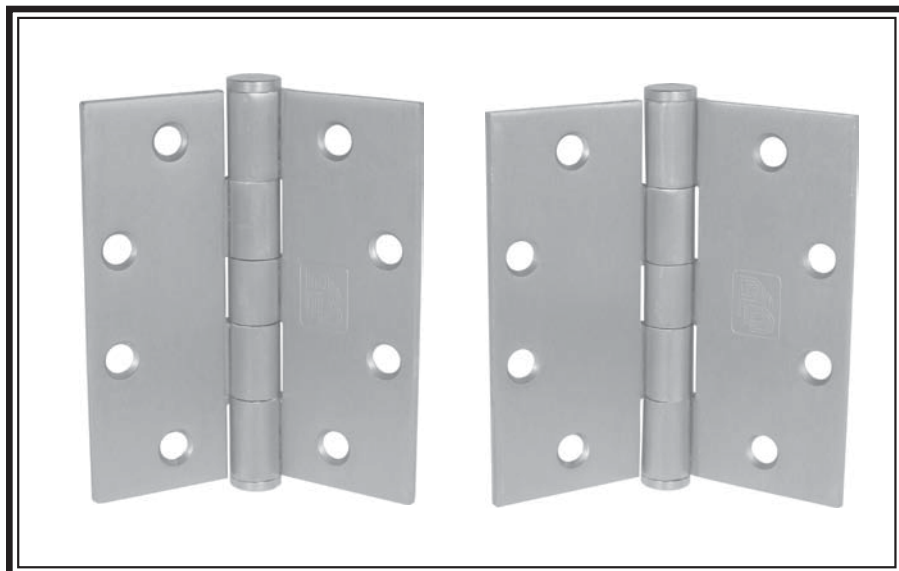
PACKAGING INFORMATION:

One hinge per plastic bag, 3 hinges and 1 screw pack per unit carton.
8 unit carton or 24 hinges per master shipping carton.
1 screw pack with all machine screws (30), and 1 screw pack with 1/2 wood screws (15). ATMS & AWS also available.



5-KNUCKLE FULL MORTISE CONCEALED BEARING
STANDARD WEIGHT
4 1/2" x 4" 4 1/2" x 4 1/2"

B11



GENERAL PRODUCT INFORMATION: PBB, Inc. template hinges are manufactured to close tolerances and meet all specifications and requirements set by the American National Standards Institute (ANSI).

HINGE SWAGING: A standard swaging of our standard weight full mortise hinge when closed to parallel position provides a 1/16" clearance between leaves.

MATERIAL GAUGE:
.134 ± .005 for 4-1/2" x 4"
.134 ± .005 for 4-1/2" x 4-1/2"

FB81 (ANSI A8111)
Steel-Polished and Plated or Bonderized and Prime Coated for Painting.

FB21 (ANSI A2111)
Brass-Polished and Plated

FB51 (ANSI A5111)
Stainless Steel-Polished and Satin Finish

- For medium weight doors receiving average frequency service.
- Concealed bearing for trouble free long life application.
- Hole in bottom tip for easy pin removal.
- Ball bearing hinges must be used on doors in conjunction with door closers and on all fire rated openings.
- For hospital type, add HT to suffix of part number.
- Non-rising removable pin.
- All hinges are ANSI template.

OTHER SPECIFICATIONS:

Height of hinge:
4.50 + .000 for 4-1/2" x 4"
 - .015
4.50 + .000 for 4-1/2" x 4-1/2"
 - .015

Width:
4.00 ± .015 for 4-1/2" x 4"
4.50 ± .015 for 4-1/2" x 4-1/2"

4-1/2" STANDARD SCREW SIZE
FHMS - 12-24 x 1/2" FHWS - 12 x 1-1/4"

PACKAGING INFORMATION:

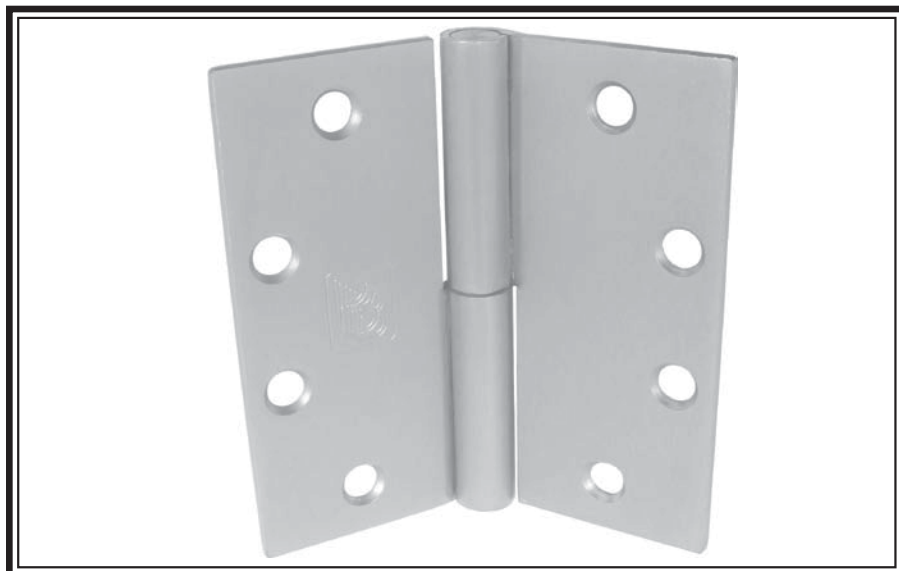
One hinge per plastic bag, 3 hinges and 1 screw pack per unit carton.
16 unit carton or 48 hinges per master shipping carton.
1 screw pack includes all machine screws (24), and 1/2 wood screws (12). ATMS & AWS also available.



2-KNUCKLE FULL MORTISE BEARING

STANDARD WEIGHT
4 1/2" x 4" 4 1/2" x 4 1/2"

B12



2B81 (ANSI A8112)
Steel-Polished and Plated or Bonderized and Prime Coated for Painting.

2B51 (ANSI A5112)
Stainless Steel-Polished and Satin Finish

- For use on medium weight doors or doors requiring average frequency service.
- Secure: Door cannot be lifted off when in closed position
- Concealed Delrin bearing takes both vertical and lateral loads
- Handing of hinge is required
- All hinges are ANSI template.

GENERAL PRODUCT INFORMATION: PBB, Inc. template hinges are manufactured to close tolerances and meet all specifications and requirements set by the American National Standards Institute (ANSI).

HINGE SWAGING: A standard swaging of our standard weight full mortise hinge when closed to parallel position provides a 1/16" clearance between leaves.

OTHER SPECIFICATIONS:

Height of hinge:	+ .000	
	4.50 - .015	for 4-1/2" x 4"
	+ .000	
	4.50 - .015	for 4 1/2" x 4-1/2"
Width:	4.00 ± .015	for 4-1/2" x 4"
	4.50 ± .015	for 4-1/2" x 4-1/2"

MATERIAL GAUGE:

- .134 ± .005 for 4-1/2" x 4"
- .134 ± .005 for 4-1/2" x 4-1/2"

4-1/2" STANDARD SCREW SIZE
FHMS - 12-24 x 1/2"
FHWS - 12 x 1-1/4"

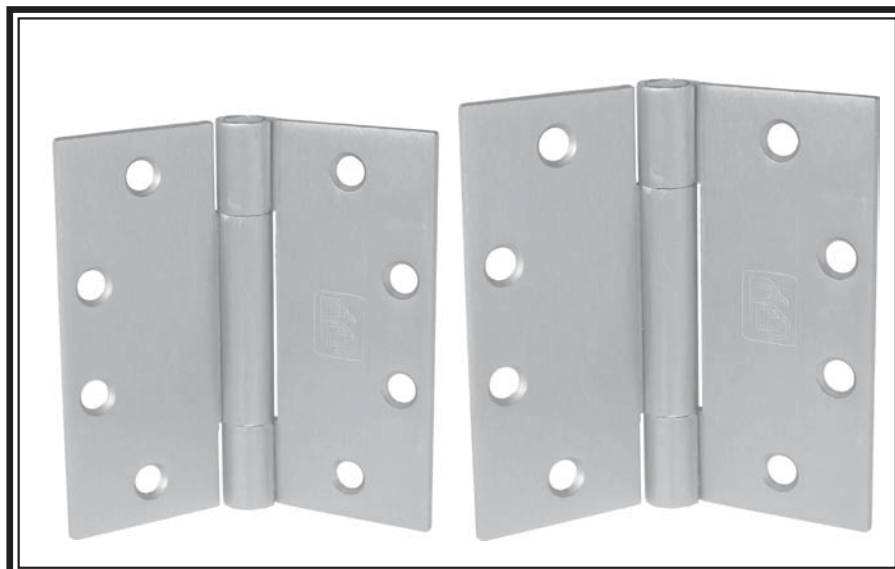
PACKAGING INFORMATION:

One hinge per plastic bag, 3 hinges and 1 screw pack per unit carton.
16 unit carton or 48 hinges per master shipping carton.
1 screw pack includes all machine screws (24), and 1/2 wood screws (12). ATMS & AWS also available.



**3-KNUCKLE FULL MORTISE CONCEALED PLAIN BEARING
STANDARD WEIGHT
3 1/2" x 3 1/2" 4" x 4"**

B13



CP81 (ANSI A8133)

Steel-Polished and Plated or Bonderized and Prime Coated for Painting.

CP21 (ANSI A2133)

Brass-Polished and Plated

CP51 (ANSI A5133)

Stainless Steel-Polished and Satin Finish

- For medium weight doors receiving low frequency service.

- Hole in bottom tip for easy pin removal.

- Attractive slim barrel with flush pins and plugs.

- 3-1/2", 4" available in square, 5/8" and 1/4" Radius Round Corners.

- For hospital type, add HT to suffix of part number.

- Not for use with door closer.

- All hinges are ANSI template.

GENERAL PRODUCT INFORMATION: PBB, Inc. template hinges are manufactured to close tolerances and meet all specifications and requirements set by the American National Standards Institute (ANSI).

HINGE SWAGING: A standard swaging of our standard weight full mortise hinge when closed to parallel position provides a 1/16" clearance between leaves.

MATERIAL GAUGE:

.123 ± .005 for 3-1/2" x 3-1/2"

.130 ± .005 for 4" x 4"

OTHER SPECIFICATIONS:

Height of hinge:
3.50 + .000 for 3-1/2" x 3-1/2"
- .015

4.00 + .000 for 4" x 4"
- .015

Width:

3.50 ± .015 for 3-1/2" x 3-1/2"
4.00 ± .015 for 4" x 4"

Template screw hole locations for all 3-1/2" x 3-1/2" full mortise template butts are punched to commercial standard CS9-65.

3-1/2" STANDARD SCREW SIZE
FHMS - 10-24 x 1/2" FHWS - 10 x 1"

4" STANDARD SCREW SIZE
FHMS - 12-24 x 1/2" FHWS - 12 x 1-1/4"

PACKAGING INFORMATION:

One hinge per plastic bag, 3 hinges and 1 screw pack per unit carton.

16 unit carton or 48 hinges per master shipping carton.

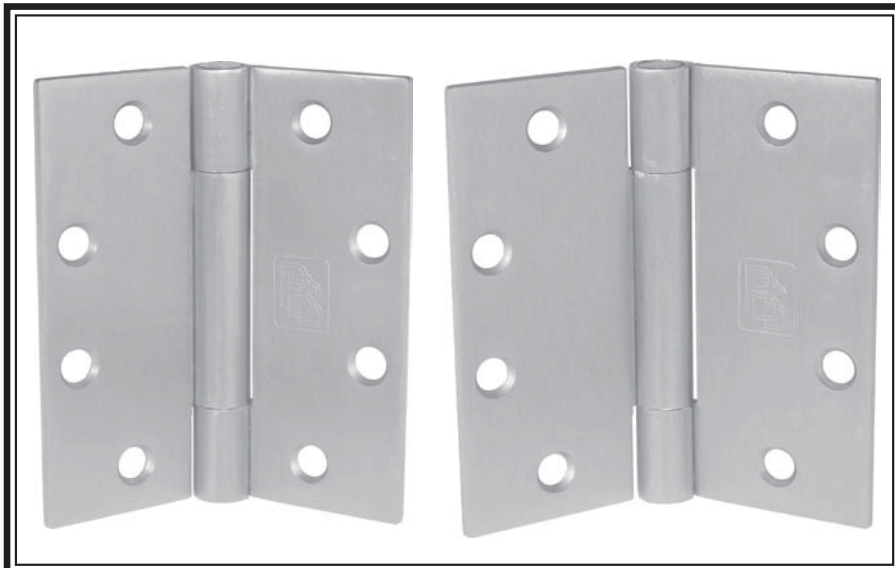
1 screw pack includes all machine screws (24), and 1/2 wood screws (12). ATMS & AWS also available.

For 3-1/2" x 3-1/2", 1 screw pack includes (18) machine screws and (18) wood screws.



**3-KNUCKLE FULL MORTISE CONCEALED PLAIN BEARING
STANDARD WEIGHT
4 1/2" X 4" 4 1/2" X 4 1/2"**

B14



CP81 (ANSI A8133)
Steel-Polished and Plated or Bonderized and Prime Coated for Painting.

CP21 (ANSI A2133)
Brass-Polished and Plated

CP51 (ANSI A5133)
Stainless Steel-Polished and Satin Finish

- For medium weight doors receiving low frequency service.
- Hole in bottom tip for easy pin removal.
- Attractive slim barrel with flush pins and plugs.
- Not for use with door closers.
- For hospital type, add HT to suffix of part number.
- All hinges are ANSI template.

GENERAL PRODUCT INFORMATION: PBB, Inc. template hinges are manufactured to close tolerances and meet all specifications and requirements set by the American National Standards Institute (ANSI).

HINGE SWAGING: A standard swaging of our standard weight full mortise hinge when closed to parallel position provides a 1/16" clearance between leaves.

OTHER SPECIFICATIONS:

Height of hinge:	4.50 + .000	for 4-1/2" x 4"
	- .015	
	4.50 + .000	for 4 1/2" x 4-1/2"
	- .015	
Width:	4.00 ± .015	for 4-1/2" x 4"
	4.50 ± .015	for 4-1/2" x 4-1/2"

MATERIAL GAUGE:

- .134 ± .005 for 4-1/2" x 4"
- .134 ± .005 for 4-1/2" x 4-1/2"

4-1/2" STANDARD SCREW SIZE
FHMS - 12-24 x 1/2" FHWS - 12 x 1-1/4"

PACKAGING INFORMATION:

One hinge per plastic bag, 3 hinges and 1 screw pack per unit carton.
16 unit carton or 48 hinges per master shipping carton.
1 screw pack includes all machine screws (24), and 1/2 wood screws (12). ATMS & AWS also available.

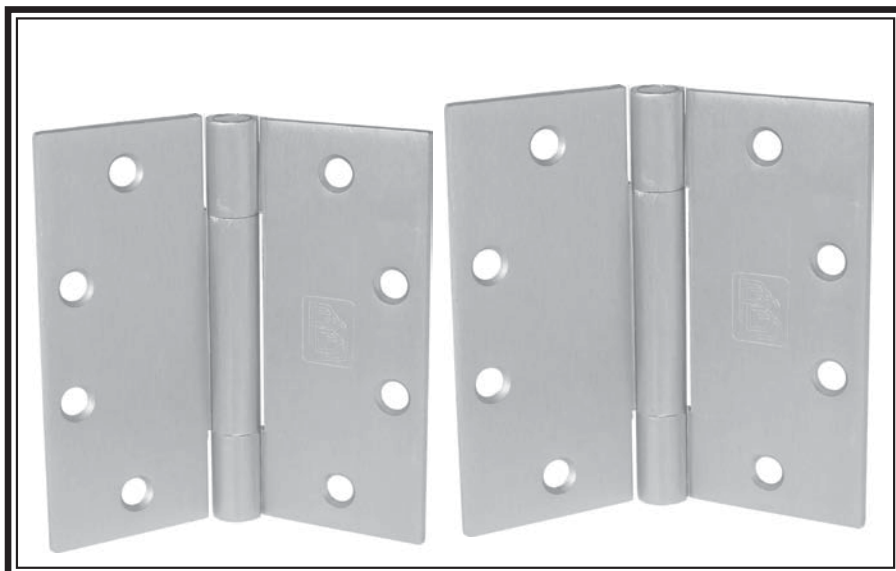


3-KNUCKLE FULL MORTISE CONCEALED PLAIN BEARING

STANDARD WEIGHT

5" x 4" 5" x 4 1/2" 5" x 5"

B15



CP81 (ANSI A8133)
Steel-Polished and Plated or Bonderized and Prime Coated for Painting.

CP21 (ANSI A2133)
Brass-Polished and Plated

CP51 (ANSI A5133)
Stainless Steel-Polished and Satin Finish

- For medium weight doors receiving low frequency service.
- Hole in bottom tip for easy pin removal.
- Attractive slim barrel with flush pins and plugs.
- Not for use with door closers.
- For hospital type, add HT to suffix of part number.
- All hinges are ANSI template.

GENERAL PRODUCT INFORMATION: PBB, Inc. template hinges are manufactured to close tolerances and meet all specifications and requirements set by the American National Standards Institute (ANSI).

HINGE SWAGING: A standard swaging of our standard weight full mortise hinge when closed to parallel position provides a 1/16" clearance between leaves.

MATERIAL GAUGE:
.146 ± .005 for 5" x 4"
.146 ± .005 for 5" x 4-1/2"
.146 ± .005 for 5" x 5"

OTHER SPECIFICATIONS:

Height of hinge:
5.00 + .000 for 5" x 4"
 - .015
5.00 + .000 for 5" x 4-1/2"
 - .015
5.00 + .000 for 5" x 5"
 - .015

Width:
4.00 ± .015 for 5" x 4"
4.50 ± .015 for 5" x 4-1/2"
5.00 ± .015 for 5" x 5"

5" STANDARD SCREW SIZE
FHMS - 12-24 x 1/2" FHWS - 12 x 1-1/4"

PACKAGING INFORMATION:

One hinge per plastic bag, 3 hinges and 1 screw pack per unit carton.
12 unit carton or 36 hinges per master shipping carton.
1 screw pack includes all machine screws (24), and 1/2 wood screws (12). ATMS & AWS also available.

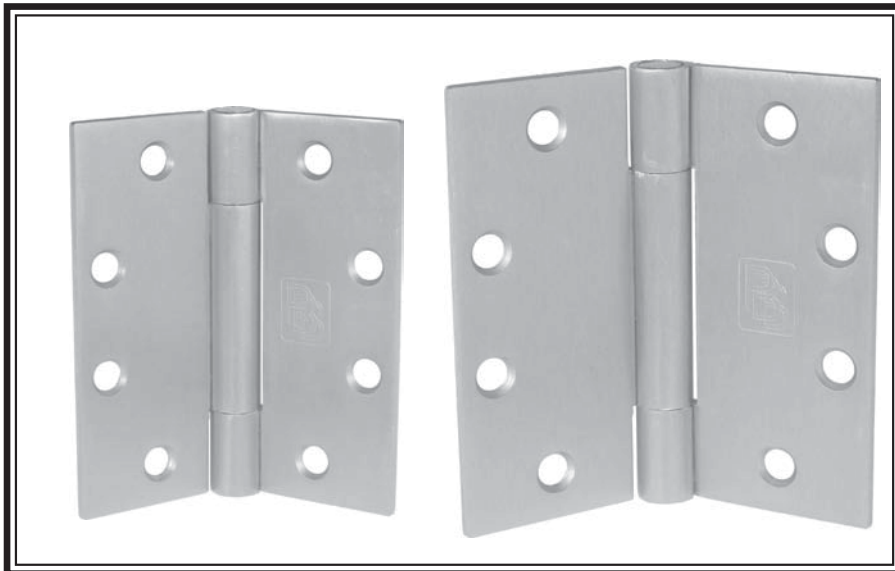


3-KNUCKLE FULL MORTISE CONCEALED BEARING

STANDARD WEIGHT

3 1/2" x 3 1/2" 4" x 4"

B16



GENERAL PRODUCT INFORMATION: PBB, Inc. template hinges are manufactured to close tolerances and meet all specifications and requirements set by the American National Standards Institute (ANSI).

HINGE SWAGING: A standard swaging of our standard weight full mortise hinge when closed to parallel position provides a 1/16" clearance between leaves.

MATERIAL GAUGE:

.123 ± .005 for 3-1/2" x 3-1/2"

.130 ± .005 for 4" x 4"

3-1/2" STANDARD SCREW SIZE
FHMS - 10-24 x 1/2" FHWS - 10 x 1"

4" STANDARD SCREW SIZE
FHMS - 12-24 x 1/2" FHWS - 12 x 1-1/4"

PACKAGING INFORMATION:

One hinge per plastic bag, 3 hinges and 1 screw pack per unit carton.

16 unit carton or 48 hinges per master shipping carton.

1 screw pack includes all machine screws (24), and 1/2 wood screws (12). ATMS & AWS also available.

For 3-1/2" x 3-1/2", 1 screw pack includes (18) machine screws and (18) wood screws.

CB81 (ANSI A8112)

Steel-Polished and Plated or Bonderized and Prime Coated for Painting.

CB21 (ANSI A2112)

Brass-Polished and Plated

CB51 (ANSI A5112)

Stainless Steel-Polished and Satin Finish

- For medium weight doors receiving medium frequency service.

- Concealed bearing for trouble free long life application.

- Non-rising removable pin.

- Hole in bottom tip for easy pin removal.

- Attractive slim barrel with flush pins and plugs.

- May be used on fire rated openings.

- For hospital type, add HT to suffix of part number

- 3-1/2", 4" available in square, 5/8" and 1/4" Radius Round Corners.

- All hinges are ANSI template.

OTHER SPECIFICATIONS:

Height of hinge:	+ .000	
	- .015	for 3-1/2"
	+ .000	
	- .015	for 4"
Width:	3.50 ± .015	for 3-1/2"
	4.00 ± .015	for 4"

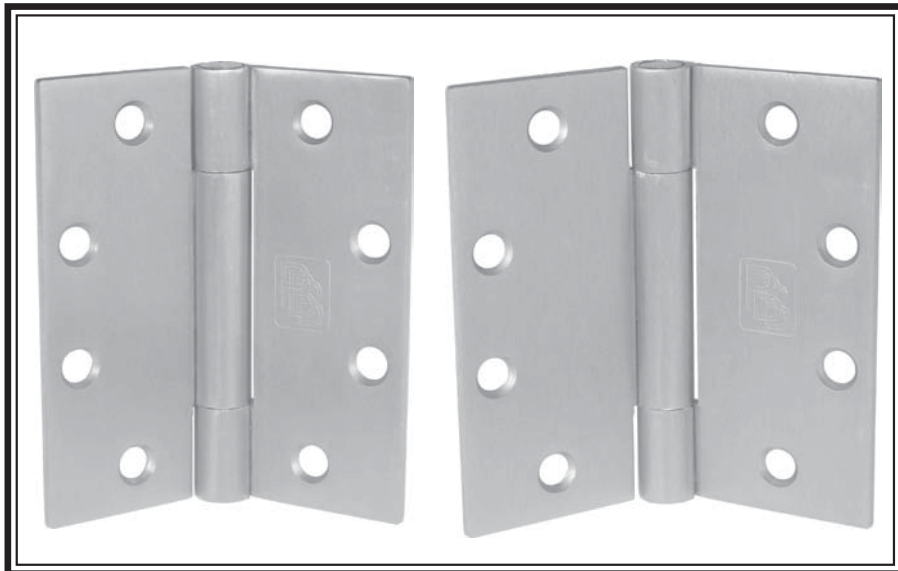
Template screw hole locations for all 3-1/2" x 3-1/2" full mortise template butts are punched to commercial standard CS9-65.



3-KNUCKLE FULL MORTISE CONCEALED BEARING

STANDARD WEIGHT
4 1/2" X 4" 4 1/2" X 4 1/2"

B17



CB81 (ANSI A8112)
Steel-Polished and Plated or Bonderized and Prime Coated for Painting.

CB21 (ANSI A2112)
Brass-Polished and Plated

CB51 (ANSI A5112)
Stainless Steel-Polished and Satin Finish

- For medium weight doors receiving medium frequency service.
- Concealed bearing for trouble free long life application.
- Non-rising removable pin.
- Hole in bottom tip for easy pin removal.
- Attractive slim barrel with flush pins and plugs.
- May be used on fire rated openings.
- For hospital type, add HT to suffix of part number.
- All hinges are ANSI template.

GENERAL PRODUCT INFORMATION: PBB, Inc. template hinges are manufactured to close tolerances and meet all specifications and requirements set by the American National Standards Institute (ANSI).

HINGE SWAGING: A standard swaging of our standard weight full mortise hinge when closed to parallel position provides a 1/16" clearance between leaves.

MATERIAL GAUGE:
.134 ± .005 for 4-1/2" x 4"
.134 ± .005 for 4-1/2" x 4-1/2"

OTHER SPECIFICATIONS:

Height of hinge: + .000
4.50 - .015 for 4-1/2" x 4"

 + .000
4.50 - .015 for 4-1/2" x 4-1/2"

Width:

4.00 ± .015 for 4-1/2" x 4"
4.50 ± .015 for 4-1/2" x 4-1/2"

4-1/2" STANDARD SCREW SIZE
FHMS - 12-24 x 1/2"
FHWS - 12 x 1-1/4"

PACKAGING INFORMATION:

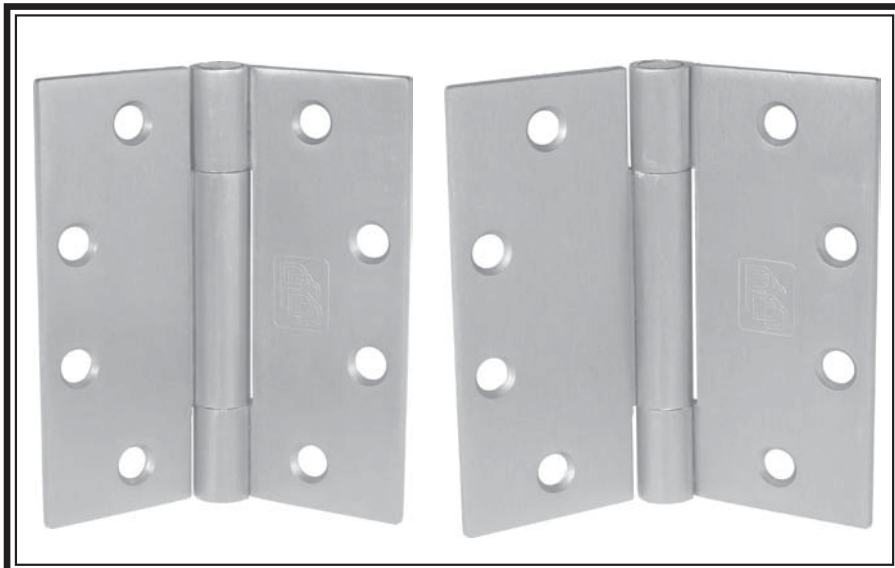
One hinge per plastic bag, 3 hinges and 1 screw pack per unit carton.
16 unit carton or 48 hinges per master shipping carton.
1 screw pack includes all machine screws (24), and 1/2 wood screws (12). ATMS & AWS also available.



3-KNUCKLE FULL MORTISE CONCEALED BEARING

B18

STANDARD WEIGHT
5" x 4" 5" x 4 1/2" 5" x 5"



GENERAL PRODUCT INFORMATION: PBB, Inc. template hinges are manufactured to close tolerances and meet all specifications and requirements set by the American National Standards Institute (ANSI).

HINGE SWAGING: A standard swaging of our standard weight full mortise hinge when closed to parallel position provides a 1/16" clearance between leaves.

MATERIAL GAUGE:

- .146 ± .005 for 5" x 4"
- .146 ± .005 for 5" x 4-1/2"
- .146 ± .005 for 5" x 5"

CB81 (ANSI A8112)
Steel-Polished and Plated or Bonderized and Prime Coated for Painting.

CB21 (ANSI A2112)
Brass-Polished and Plated

CB51 (ANSI A5112)
Stainless Steel-Polished and Satin Finish

- For medium weight doors receiving medium frequency service.
- Concealed bearing for trouble free long life application.
- Non-rising removable pin.
- Hole in bottom tip for easy pin removal.
- Attractive slim barrel with flush pins and plugs.
- May be used on fire rated openings.
- For hospital type, add HT to suffix of part number.
- All hinges are ANSI template.

OTHER SPECIFICATIONS:

Height of hinge:	+ .000	
5.00	- .015	for 5" x 4"
	+ .000	
5.00	- .015	for 5" x 4-1/2"
	+ .000	
5.00	- .015	for 5" x 5"
Width:		
	4.00 ± .015	for 5" x 4"
	4.50 ± .015	for 5" x 4-1/2"
	5.00 ± .015	for 5" x 5"

5" STANDARD SCREW SIZE
FHMS - 12-24 x 1/2"
FHWS - 12 x 1-1/4"

PACKAGING INFORMATION:

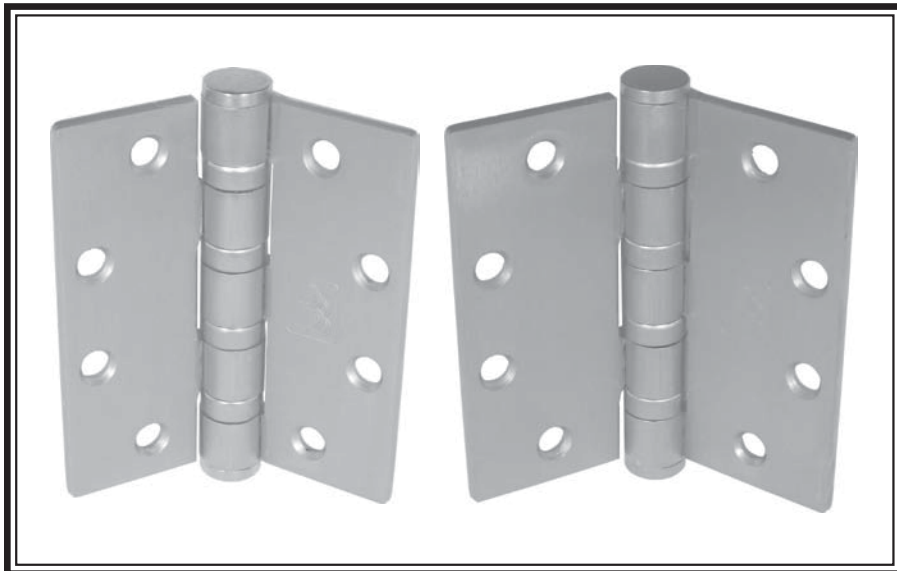
One hinge per plastic bag, 3 hinges and 1 screw pack per unit carton.
12 unit carton or 36 hinges per master shipping carton.
1 screw pack includes all machine screws (24), and 1/2 wood screws (12). ATMS & AWS also available.



FULL MORTISE TEMPLATE BALL BEARING

HEAVY WEIGHT
4 1/2" x 4" 4 1/2" x 4 1/2"

B19



4B81 (ANSI A8111)
Steel-Polished and Plated or Bonderized and Prime Coated for Painting.

4B21 (ANSI A2111)
Brass-Polished and Plated

4B51 (ANSI A5111)
Stainless Steel-Polished and Satin Finish

- For heavy weight doors receiving high frequency service.
- Ball bearing hinges must be used on doors in conjunction with door closers and on all fire rated openings.
- For hospital type, add HT to suffix of part number.
- All hinges are ANSI template.

GENERAL PRODUCT INFORMATION: PBB, Inc. template hinges are manufactured to close tolerances and meet all specifications and requirements set by the American National Standards Institute (ANSI).

HINGE SWAGING: A standard swaging of our standard weight full mortise hinge when closed to parallel position provides a 1/16" clearance between leaves.

OTHER SPECIFICATIONS:

Height of hinge:
4.50 + .000 for 4-1/2" x 4"
 - .015

4.50 + .000 for 4 1/2" x 4-1/2"
 - .015

Width:
4.00 ± .015 for 4-1/2" x 4"
4.50 ± .015 for 4-1/2" x 4-1/2"

MATERIAL GAUGE:

.180 ± .005 for 4-1/2" x 4"
.180 ± .005 for 4-1/2" x 4-1/2"

4-1/2" STANDARD SCREW SIZE
FHMS - 12-24 x 1/2" FHWS - 12 x 1-1/4"

PACKAGING INFORMATION:

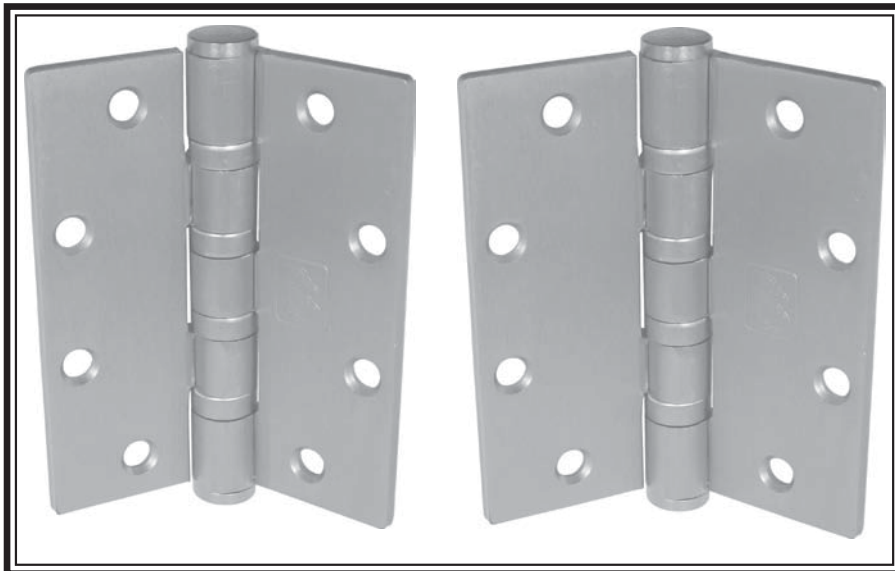
One hinge per plastic bag, 3 hinges and 1 screw pack per unit carton.
16 unit carton or 48 hinges per master shipping carton.
1 screw pack includes all machine screws (24), and 1/2 wood screws (12). ATMS & AWS also available.



FULL MORTISE TEMPLATE BALL BEARING

B20

HEAVY WEIGHT
5" x 4" 5" x 4 1/2" 5" x 5"



4B81 (ANSI A8111)
Steel-Polished and Plated or Bonderized and Prime Coated for Painting.

4B21 (ANSI A2111)
Brass-Polished and Plated

4B51 (ANSI A5111)
Stainless Steel-Polished and Satin Finish

- Recommended for over 3'4" width doors and having a thickness of 2" or more.
- For heavy weight doors receiving high frequency service.
- Ball bearing hinges must be used on doors in conjunction with door closers and on all fire rated openings.
- For hospital type, add HT to suffix of part number.
- All hinges are ANSI template.

GENERAL PRODUCT INFORMATION: PBB, Inc. template hinges are manufactured to close tolerances and meet all specifications and requirements set by the American National Standards Institute (ANSI).

HINGE SWAGING: A standard swaging of our standard weight full mortise hinge when closed to parallel position provides a 1/16" clearance between leaves.

MATERIAL GAUGE:
.190 ± .005 for 5" x 4"
.190 ± .005 for 5" x 4-1/2"
.190 ± .005 for 5" x 5"

OTHER SPECIFICATIONS:

Height of hinge:
5.00 + .000 for 5" x 4"
 - .015
5.00 + .000 for 5" x 4-1/2"
 - .015
5.00 + .000 for 5" x 5"
 - .015

Width:
4.00 ± .015 for 5" x 4"
4.50 ± .015 for 5" x 4-1/2"
5.00 ± .015 for 5" x 5"

5" STANDARD SCREW SIZE
FHMS - 12-24 x 1/2" FHWS - 12 x 1-1/2"

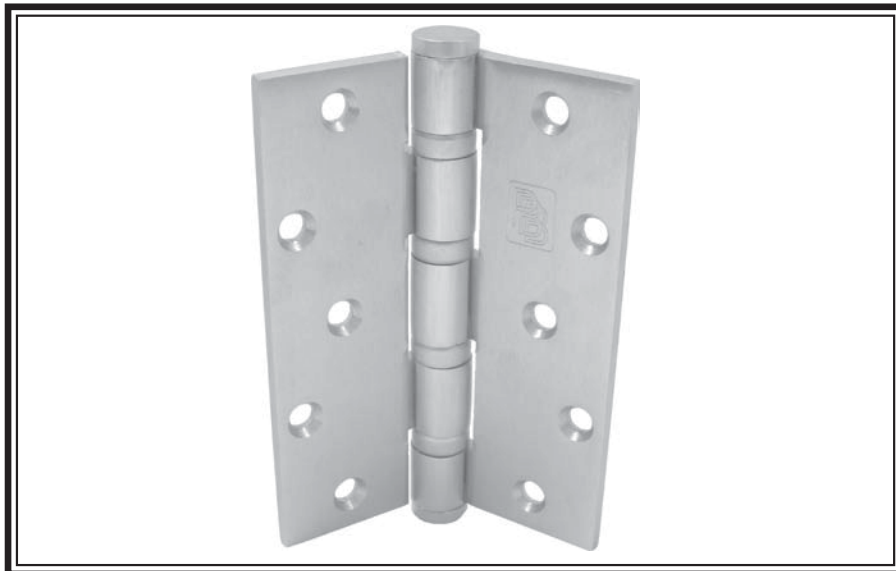
PACKAGING INFORMATION:

One hinge per plastic bag, 3 hinges and 1 screw pack per unit carton.
12 unit carton or 36 hinges per master shipping carton.
1 screw pack includes all machine screws (24), and 1/2 wood screws (12). ATMS & AWS also available.



FULL MORTISE TEMPLATE BALL BEARING

HEAVY WEIGHT
6" x 4 1/2" 6" x 5" 6" x 6" B21



4B81 (ANSI A8111)
Steel-Polished and Plated or Bonderized and Prime Coated for Painting.

4B21 (ANSI A2111)
Brass-Polished and Plated

4B51 (ANSI A5111)
Stainless Steel-Polished and Satin Finish

- Recommended for over 3'4" width doors and having a thickness of 2" or more.
- For heavy weight doors receiving high frequency service.
- Ball bearing hinges must be used on doors in conjunction with door closers and on all fire rated openings.
- For hospital type, add HT to suffix of part number.
- All hinges are ANSI template.

GENERAL PRODUCT INFORMATION: PBB, Inc. template hinges are manufactured to close tolerances and meet all specifications and requirements set by the American National Standards Institute (ANSI).

HINGE SWAGING: A standard swaging of our standard weight full mortise hinge when closed to parallel position provides a 1/16" clearance between leaves.

MATERIAL GAUGE:
.200 ± .005 for 6" x 4-1/2"
.200 ± .005 for 6" x 5"
.200 ± .005 for 6" x 6"

OTHER SPECIFICATIONS:

Height of hinge:
6.00 + .000 for 6" x 4-1/2"
 - .015
6.00 + .000 for 6" x 5"
 - .015
6.00 + .000 for 6" x 6"
 - .015

Width:
4.50 ± .015 for 6" x 4-1/2"
5.00 ± .015 for 6" x 5"
6.00 ± .015 for 6" x 6"

6" STANDARD SCREW SIZE
FHMS - 1/4-20 x 1/2" FHWS - 14 x 1-1/2"

PACKAGING INFORMATION:

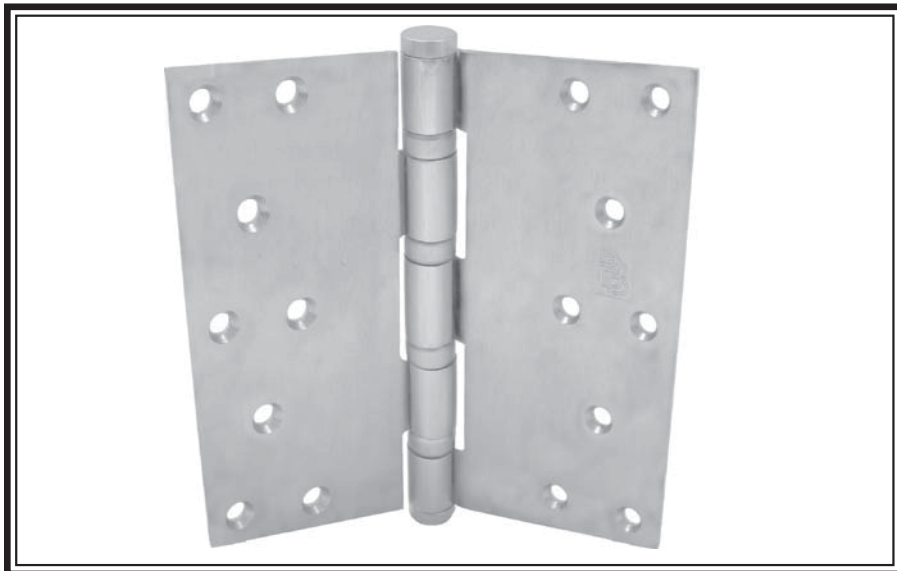
One hinge per plastic bag, 3 hinges and 1 screw pack per unit carton.
4 unit carton or 12 hinges per master shipping carton.
1 screw pack includes all machine screws (30), and 1/2 wood screws (15). ATMS & AWS also available.



FULL MORTISE TEMPLATE BALL BEARING

HEAVY WEIGHT
8" x 6" 8" x 8"

B22



4B81 (ANSI A8111)
Steel-Polished and Plated or Bonderized and Prime Coated for Painting.

4B21 (ANSI A2111)
Brass-Polished and Plated

4B51 (ANSI A5111)
Stainless Steel-Polished and Satin Finish

- Recommended for over 3'4" width doors and having a thickness of 2" or more.
- For heavy weight doors receiving high frequency service.
- Ball bearing hinges must be used on doors in conjunction with door closers and on all fire rated openings.
- For hospital type, add HT to suffix of part number.
- All hinges are ANSI template.

GENERAL PRODUCT INFORMATION: PBB, Inc. template hinges are manufactured to close tolerances and meet all specifications and requirements set by the American National Standards Institute (ANSI).

HINGE SWAGING: A standard swaging of our standard weight full mortise hinge when closed to parallel position provides a 1/16" clearance between leaves.

MATERIAL GAUGE:
.200 ± .005 for 8" x 6"
.200 ± .005 for 8" x 8"

OTHER SPECIFICATIONS:

Height of hinge:
8.00 + .000 - .015 for 8" x 6"
8.00 + .000 - .015 for 8" x 8"

Width:
6.00 ± .015 for 8" x 6"
8.00 ± .015 for 8" x 8"

8" STANDARD SCREW SIZE
FHMS - 1/4-20 x 1/2"
FHWS - 14 x 1-1/2"

PACKAGING INFORMATION:

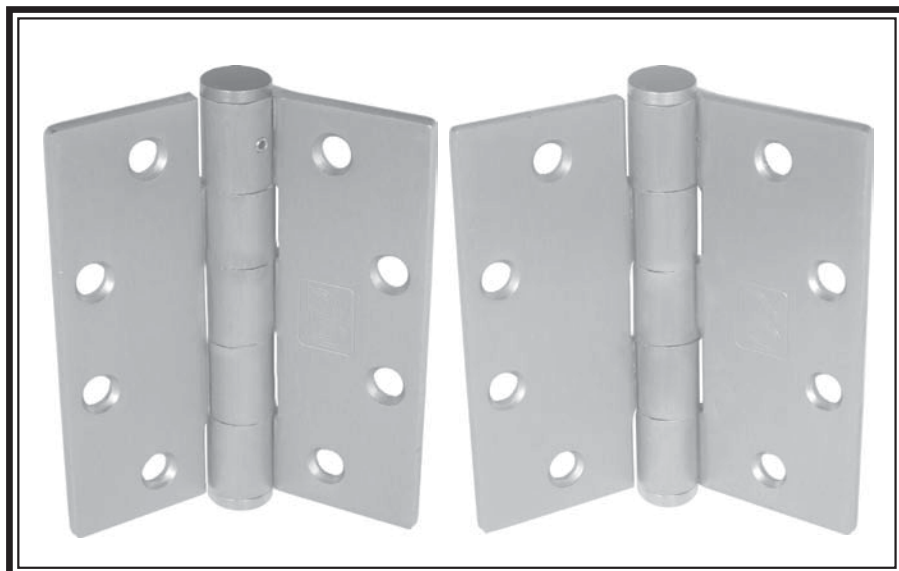
One hinge per plastic bag, 3 hinges and 1 screw pack per unit carton.
2 unit carton or 6 hinges per master shipping carton.
1 screw pack includes all machine screws (48), and 1/2 wood screws (24). ATMS & AWS also available.



5-KNUCKLE FULL MORTISE CONCEALED BEARING
HEAVY WEIGHT

4 1/2" x 4" 4 1/2" x 4 1/2"

B23



GENERAL PRODUCT INFORMATION: PBB, Inc. template hinges are manufactured to close tolerances and meet all specifications and requirements set by the American National Standards Institute (ANSI).

HINGE SWAGING: A standard swaging of our standard weight full mortise hinge when closed to parallel position provides a 1/16" clearance between leaves.

MATERIAL GAUGE:

.180 ± .005 for 4-1/2" x 4"
.180 ± .005 for 4-1/2" x 4-1/2"

4F81 (ANSI A8111)
Steel-Polished and Plated or Bonderized and Prime Coated for Painting.

4F21 (ANSI A2111)
Brass-Polished and Plated

4F51 (ANSI A5111)
Stainless Steel-Polished and Satin Finish

- For heavy weight doors receiving high frequency service.
- Concealed bearing for trouble free long life application.
- Hole in bottom tip for easy pin removal.
- Ball bearing hinges must be used on doors in conjunction with door closers and on all fire rated openings.
- For hospital type, add HT to suffix of part number.
- Non-rising removable pin.
- All hinges are ANSI template.

OTHER SPECIFICATIONS:

Height of hinge:
4.50 + .000 for 4-1/2" x 4"
 - .015
4.50 + .000 for 4-1/2" x 4-1/2"
 - .015

Width:
4.00 ± .015 for 4-1/2" x 4"
4.50 ± .015 for 4-1/2" x 4-1/2"

4-1/2" STANDARD SCREW SIZE
FHMS - 12-24 x 1/2" FHWS - 12 x 1-1/4"

PACKAGING INFORMATION:

One hinge per plastic bag, 3 hinges and 1 screw pack per unit carton.
16 unit carton or 48 hinges per master shipping carton.
1 screw pack includes all machine screws (24), and 1/2 wood screws (12). ATMS & AWS also available.



2-KNUCKLE FULL MORTISE BEARING

HEAVY WEIGHT
4 1/2" x 4" 4 1/2" x 4 1/2"

B24



2H81 (ANSI A8111)
Steel-Polished and Plated or Bonderized and Prime Coated for Painting.

2H51 (ANSI A5111)
Stainless Steel-Polished and Satin Finish

- For heavy weight doors receiving high frequency service.
- Secure: Door cannot be lifted off when in closed position
- Concealed Delrin bearing takes both vertical and lateral loads
- Handing of hinge is required
- All hinges are ANSI template.

GENERAL PRODUCT INFORMATION: PBB, Inc. template hinges are manufactured to close tolerances and meet all specifications and requirements set by the American National Standards Institute (ANSI).

HINGE SWAGING: A standard swaging of our standard weight full mortise hinge when closed to parallel position provides a 1/16" clearance between leaves.

OTHER SPECIFICATIONS:

Height of hinge:

4.50 + .000 for 4-1/2" x 4"
- .015

4.50 + .000 for 4 1/2" x 4-1/2"
- .015

Width:

4.00 ± .015 for 4-1/2" x 4"
4.50 ± .015 for 4-1/2" x 4-1/2"

MATERIAL GAUGE:

.180 ± .005 for 4-1/2" x 4"

.180 ± .005 for 4-1/2" x 4-1/2"

4-1/2" STANDARD SCREW SIZE
FHMS - 12-24 x 1/2" FHWS - 12 x 1-1/4"

PACKAGING INFORMATION:

One hinge per plastic bag, 3 hinges and 1 screw pack per unit carton.

16 unit carton or 48 hinges per master shipping carton.

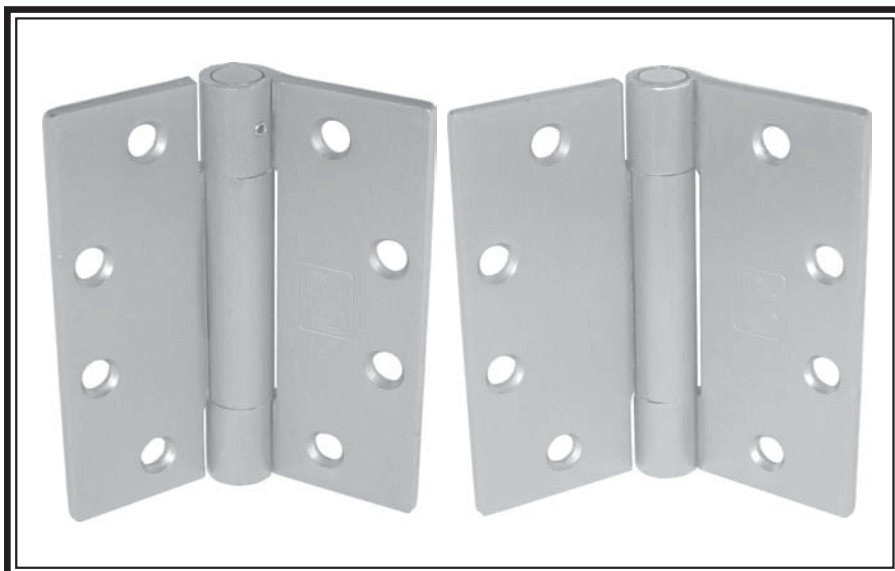
1 screw pack includes all machine screws (24), and 1/2 wood screws (12). ATMS & AWS also available.



3-KNUCKLE FULL MORTISE CONCEALED BEARING
HEAVY WEIGHT

4 1/2" x 4" 4 1/2" x 4 1/2"

B25



GENERAL PRODUCT INFORMATION: PBB, Inc. template hinges are manufactured to close tolerances and meet all specifications and requirements set by the American National Standards Institute (ANSI).

HINGE SWAGING: A standard swaging of our standard weight full mortise hinge when closed to parallel position provides a 1/16" clearance between leaves.

MATERIAL GAUGE:
.180 ± .005 for 4-1/2" x 4"
.180 ± .005 for 4-1/2" x 4-1/2"

4C81 (ANSI A8111)
Steel-Polished and Plated or Bonderized and Prime Coated for Painting.

4C21 (ANSI A2111)
Brass-Polished and Plated

4C51 (ANSI A5111)
Stainless Steel-Polished and Satin Finish

- For heavy weight doors receiving high frequency service.
- Concealed bearing for trouble free long life application.
- Hole in bottom tip for easy pin removal.
- Ball bearing hinges must be used on doors in conjunction with door closers and on all fire rated openings.
- For hospital type, add HT to suffix of part number.
- Non-rising removable pin.
- Attractive slim barrel with flush pins and plugs.
- All hinges are ANSI template.

OTHER SPECIFICATIONS:

Height of hinge:
4.50 + .000 for 4-1/2" x 4"
 - .015
4.50 + .000 for 4-1/2" x 4-1/2"
 - .015

Width:
4.00 ± .015 for 4-1/2" x 4"
4.50 ± .015 for 4-1/2" x 4-1/2"

4-1/2" STANDARD SCREW SIZE
FHMS - 12-24 x 1/2"
FHWS - 12 x 1-1/4"

PACKAGING INFORMATION:

One hinge per plastic bag, 3 hinges and 1 screw pack per unit carton.
16 unit carton or 48 hinges per master shipping carton.
1 screw pack includes all machine screws (24), and 1/2 wood screws (12). ATMS & AWS also available.

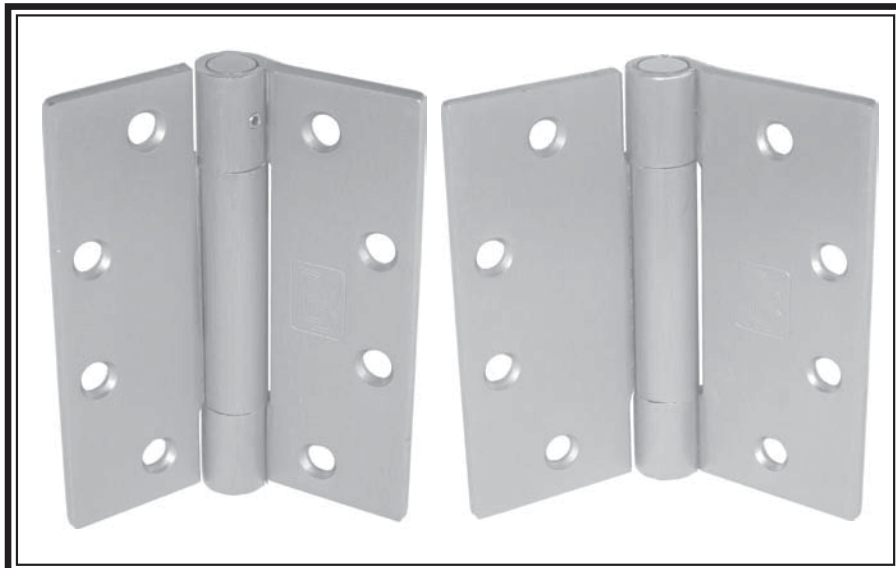


3-KNUCKLE FULL MORTISE CONCEALED BEARING

HEAVY WEIGHT

5" x 4" 5" x 4 1/2" 5" x 5"

B26



GENERAL PRODUCT INFORMATION: PBB, Inc. template hinges are manufactured to close tolerances and meet all specifications and requirements set by the American National Standards Institute (ANSI).

HINGE SWAGING: A standard swaging of our standard weight full mortise hinge when closed to parallel position provides a 1/16" clearance between leaves.

MATERIAL GAUGE:

- .190 ± .005 for 5" x 4"
- .190 ± .005 for 5" x 4-1/2"
- .190 ± .005 for 5" x 5"

4C81 (ANSI A8111)
Steel-Polished and Plated or Bonderized and Prime Coated for Painting.

4C21 (ANSI A2111)
Brass-Polished and Plated

4C51 (ANSI A5111)
Stainless Steel-Polished and Satin Finish

- For heavy weight doors receiving high frequency service.
- Concealed bearing for trouble free long life application.
- Hole in bottom tip for easy pin removal.
- Ball bearing hinges must be used on doors in conjunction with door closers and on all fire rated openings.
- For hospital type, add HT to suffix of part number.
- Non-rising removable pin.
- Attractive slim barrel with flush pins and plugs.
- All hinges are ANSI template.

OTHER SPECIFICATIONS:

Height of hinge:		
	+ .000	
5.00	– .015	for 5" x 4"
	+ .000	
5.00	– .015	for 5" x 4-1/2"
	+ .000	
5.00	– .015	for 5" x 5"

Width:	
4.00 ± .015	for 5" x 4"
4.50 ± .015	for 5" x 4-1/2"
5.00 ± .015	for 5" x 5"

5" STANDARD SCREW SIZE
FHMS - 12-24 x 1/2"
FHWS - 12 x 1-1/2"

PACKAGING INFORMATION:

One hinge per plastic bag, 3 hinges and 1 screw pack per unit carton.
12 unit carton or 36 hinges per master shipping carton.
1 screw pack includes all machine screws (24), and 1/2 wood screws (12). ATMS & AWS also available.



3-KNUCKLE FULL MORTISE CONCEALED BEARING

HEAVY WEIGHT
6" x 4 1/2" 6" x 5" 6" x 6" B27



4C81 (ANSI A8111)
Steel-Polished and Plated or Bonderized and Prime Coated for Painting.

4C21 (ANSI A2111)
Brass-Polished and Plated

4C51 (ANSI A5111)
Stainless Steel-Polished and Satin Finish

- Recommended for over 3'4" width doors and having a thickness of 2" or more.
- For heavy weight doors receiving high frequency service.
- Ball bearing hinges must be used on doors in conjunction with door closers and on all fire rated openings.
- For hospital type, add HT to suffix of part number.
- All hinges are ANSI template.

GENERAL PRODUCT INFORMATION: PBB, Inc. template hinges are manufactured to close tolerances and meet all specifications and requirements set by the American National Standards Institute (ANSI).

HINGE SWAGING: A standard swaging of our standard weight full mortise hinge when closed to parallel position provides a 1/16" clearance between leaves.

MATERIAL GAUGE:
.200 ± .005 for 6" x 4-1/2"
.200 ± .005 for 6" x 5"
.200 ± .005 for 6" x 6"

OTHER SPECIFICATIONS:

Height of hinge:
6.00 + .000 for 6" x 4-1/2"
- .015
6.00 + .000 for 6" x 5"
- .015
6.00 + .000 for 6" x 6"
- .015

Width:
4.50 ± .015 for 6" x 4-1/2"
5.00 ± .015 for 6" x 5"
6.00 ± .015 for 6" x 6"

6" STANDARD SCREW SIZE
FHMS - 1/4-20 x 1/2"
FHWS -- 14 x 1-1/2"

PACKAGING INFORMATION:

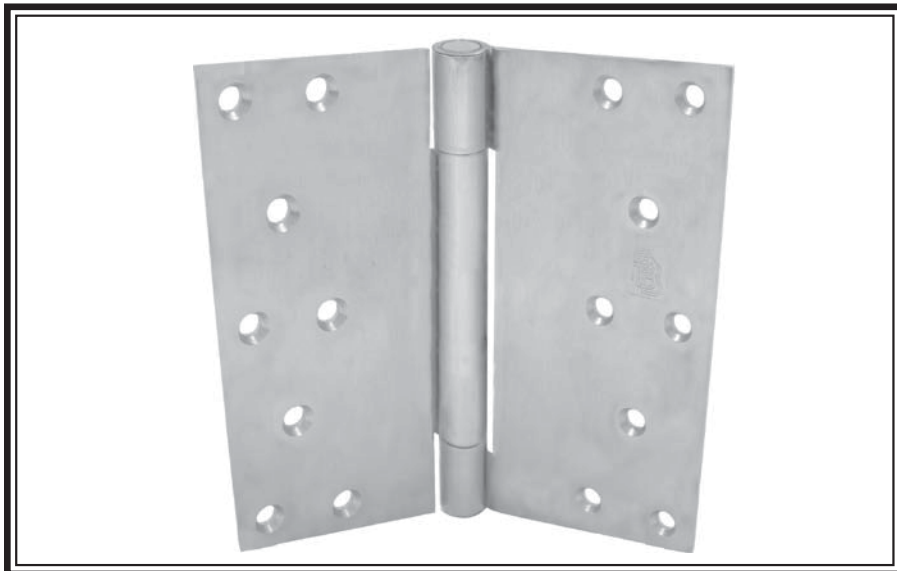
One hinge per plastic bag, 3 hinges and 1 screw pack per unit carton.
4 unit carton or 12 hinges per master shipping carton.
1 screw pack includes all machine screws (30), and 1/2 wood screws (15). ATMS & AWS also available.



3-KNUCKLE FULL MORTISE CONCEALED BEARING

HEAVY WEIGHT
8" x 6" 8" x 8"

B28



GENERAL PRODUCT INFORMATION: PBB, Inc. template hinges are manufactured to close tolerances and meet all specifications and requirements set by the American National Standards Institute (ANSI).

HINGE SWAGING: A standard swaging of our standard weight full mortise hinge when closed to parallel position provides a 1/16" clearance between leaves.

MATERIAL GAUGE:
.200 ± .005 for 8" x 6"
.200 ± .005 for 8" x 8"

4C81 (ANSI A8111)
Steel-Polished and Plated or Bonderized and Prime Coated for Painting.

4C21 (ANSI A2111)
Brass-Polished and Plated

4C51 (ANSI A5111)
Stainless Steel-Polished and Satin Finish

- Recommended for over 3'4" width doors and having a thickness of 2" or more.
- For heavy weight doors receiving high frequency service.
- Ball bearing hinges must be used on doors in conjunction with door closers and on all fire rated openings.
- For hospital type, add HT to suffix of part number.
- All hinges are ANSI template.

OTHER SPECIFICATIONS:

Height of hinge:

8.00	+ .000	for 8" x 6"
	- .015	
8.00	+ .000	for 8" x 8"
	- .015	

Width:

6.00 ± .015	for 8" x 6"
8.00 ± .015	for 8" x 8"

8" STANDARD SCREW SIZE
FHMS - 1/4-20 x 1/2"
FHWS - 14 x 1-1/2"

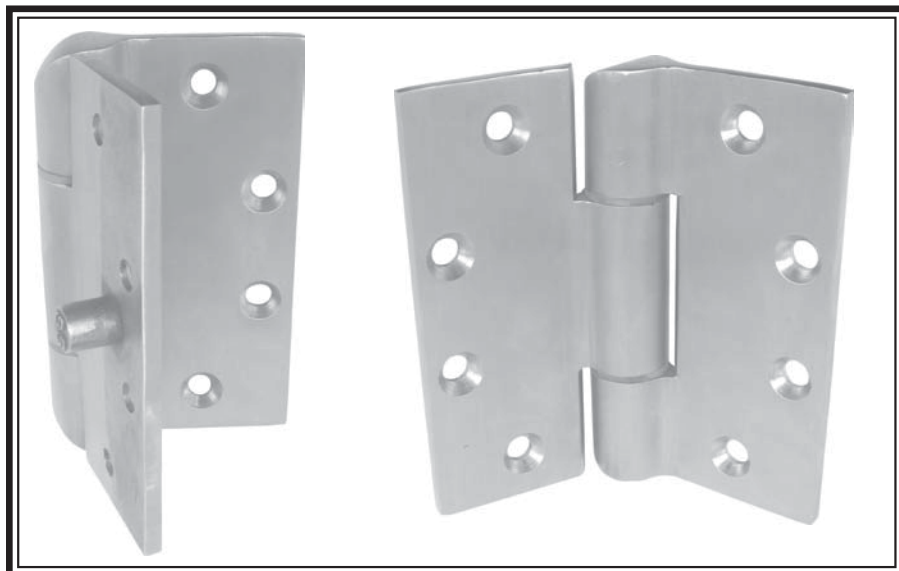
PACKAGING INFORMATION:

One hinge per plastic bag, 3 hinges and 1 screw pack per unit carton.
2 unit carton or 6 hinges per master shipping carton.
1 screw pack includes all machine screws (48), and 1/2 wood screws (24). ATMS & AWS also available.



FULL MORTISE CONCEALED BEARING PRISON HINGE HEAVY WEIGHT

B29



PH51 (ANSI A5111)

Stainless Steel-Polished and Satin Finish

- Cast stainless steel base material
- Welded hospital tipped ends
- For heavy weight doors receiving high frequency service
- For schools, hospitals or other public buildings where security requirements exist.
- Torx head security machine screws available upon request
- Concealed bearing for trouble free long life application
- Reverse security stud casted into both leaves for added security feature
- All hinges are ANSI template

GENERAL PRODUCT INFORMATION: PBB, Inc. template hinges are manufactured to close tolerances and meet all specifications and requirements set by the American National Standards Institute (ANSI).

HINGE SWAGING: A standard swaging of our standard weight full mortise hinge when closed to parallel position provides a 1/16" clearance between leaves.

OTHER SPECIFICATIONS:

Height of hinge:
4.50 $\begin{matrix} + .000 \\ - .015 \end{matrix}$ for 4-1/2"

Width:
4.50 \pm .015 for 4-1/2"

MATERIAL GAUGE:

.190 \pm .005 for 4-1/2" x 4-1/2"

4-1/2" STANDARD SCREW SIZE
FHMS - 1/2" x 1/4-20

PACKAGING INFORMATION:

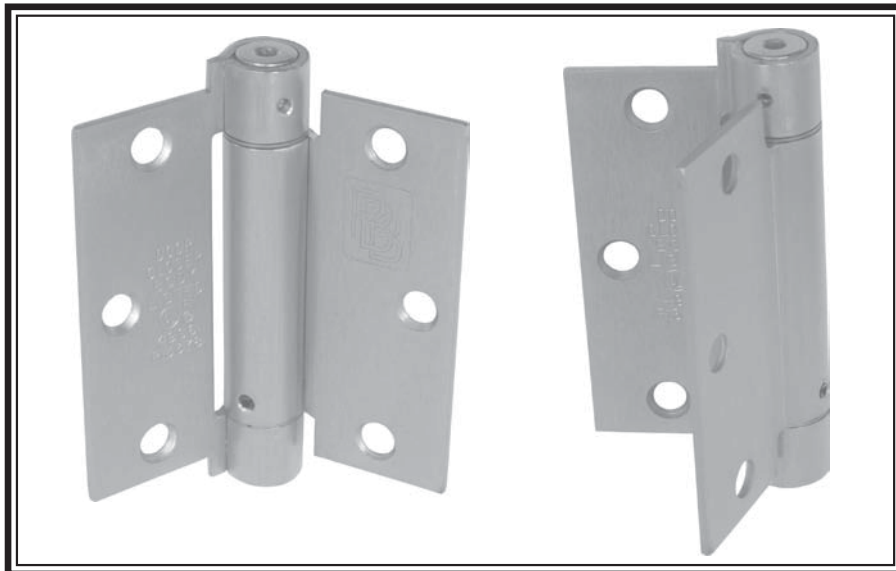
One hinge per plastic bag, 3 hinges and 1 screw pack per unit carton.
12 unit carton or 36 hinges per master shipping carton.
1 screw pack includes all machine screws (24), torx head or wood screws available upon request.



FULL MORTISE U.L. LISTED SPRING HINGE

RESIDENTIAL WEIGHT
3 1/2" x 3 1/2"

C1



RS81 (ANSI K8107)

Steel-Polished and Plated or Bonderized and Prime Coated for Painting.

- Spring hinge door closer Model K8107 passed a 250,000 cycle UL test in accordance with Underwriters Laboratories for door closers, with or without integral smoke detectors.
- All hinges are ANSI template. 3-1/2" available in square and in 1/4" & 5/8" radius round corners.



GENERAL PRODUCT INFORMATION: PBB, Inc. template hinges are manufactured to close tolerances and meet all specifications and requirements set by the American National Standards Institute (ANSI).

OTHER SPECIFICATIONS:

Height of hinge: 3.50 + .000
Width: - .015
3.50 ± .015

HINGE SWAGING: A standard swaging of our standard weight full mortise hinge when closed to parallel position provides a 1/16" clearance between leaves.

SERIES	SIZE	RECOMMENDED MAX DOOR WEIGHT (LBS.)	SPRING HINGE	BUTT HINGE
FOR USE ON 1 3/8" DOOR				
RS81	3 1/2" x 3 1/2"	40	1	2
		70	2	1
		90	3	-

MATERIAL GAUGE: .100 ± .005

3-1/2" STANDARD SCREW SIZE
FHMS - 10-24 x 1/2"
FHWS - 10 x 1"

Template screw hole locations for all 3-1/2 x 3-1/2 Full Mortise Template butts are punched to Commercial Standard CS9-65.

PACKAGING INFORMATION:

One hinge per plastic bag, 3 hinges and 1 screw pack per unit carton. 16 unit carton or 48 hinges per master shipping carton. 1 screw pack includes (18) machine screws and (18) wood screws.

Maximum Door Size - 2'6" x 7'0"

The above quantities are based on 3 hinges per door. Spring hinges are to be used only with bearing hinges. Installation Instructions:

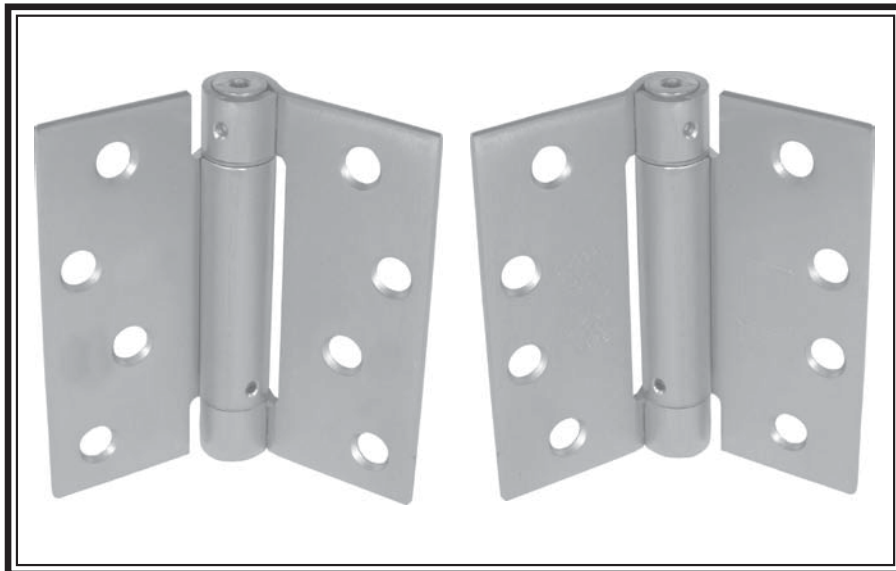
1. Install hinge with adjustment pin up.
2. Close door to adjust spring.
3. Turn adjustment pin 1/4 turn clockwise for each tension setting. Adjust one position at a time until proper tension is obtained. Roll pin is inserted approximately half way at each position to test tension. When testing tension, do not open door more than 90°.
4. When proper tension is obtained, insert roll pin completely. Caution: For 180° opening, two positions maximum tension. For 90°, three positions maximum tension.
5. Use of gasket for smoke or sound protection, wind condition or unbalanced air pressure may prevent door from latching. Additional closing power would be required. See installation instruction sheet.



FULL MORTISE U.L. LISTED SPRING HINGE

RESIDENTIAL WEIGHT
4" x 4"

G2



RS81 (ANSI K8107)

Steel-Polished and Plated or Bonderized and Prime Coated for Painting.

- Spring hinge door closer Model K8107 passed a 250,000 cycle UL test in accordance with Underwriters Laboratories for door closers, with or without integral smoke detectors.
- All hinges are ANSI template. 4" available in square and in 1/4" & 5/8" radius round corners.



GENERAL PRODUCT INFORMATION: PBB, Inc. template hinges are manufactured to close tolerances and meet all specifications and requirements set by the American National Standards Institute (ANSI).

OTHER SPECIFICATIONS:

Height of hinge: 4.00 + .000
Width: - .015
4.00 ± .015

HINGE SWAGING: A standard swaging of our standard weight full mortise hinge when closed to parallel position provides a 1/16" clearance between leaves.

Maximum Door Size
For labeled doors 3' x 7' the maximum door size is based on the limits set forth by NFPA Standard #80. Labeled doors require Ball Bearing hinges.

SERIES	SIZE	RECOMMENDED MAX DOOR WEIGHT (LBS.)	SPRING HINGE	BUTT HINGE
FOR USE ON 1 3/4" DOOR, 1 3/8" DOOR				
RS81	4" x 4"	60	1	2
		85	2	1
		110	3	-

For non-labeled doors 4'0" wide 4" x 4" Spring hinges are not recommended. For non-labeled doors over 7'6" in height, use an additional hinge for each additional 30" of height or fraction thereof.

NOTES:

1. For complete warranty protection use all spring hinges or a combination of spring hinges and ball bearing hinges. Do not use plain bearing hinges as this voids all factory warranties.
2. Use of gasket for smoke or sound protection, wind condition or unbalanced air pressure may prevent door from latching. Additional closing power would be required. See installation instruction sheet.

MATERIAL GAUGE: .100 ± .005

4" STANDARD SCREW SIZE
FHMS - 12-24 x 1/2"
FHWS - 12 x 1-1/4"

PACKAGING INFORMATION:

One hinge per plastic bag, 3 hinges and 1 screw pack per unit carton.
16 unit carton or 48 hinges per master shipping carton.
1 screw pack includes all machine screws (24), and 1/2 wood screws (12). ATMS & AWS also available.

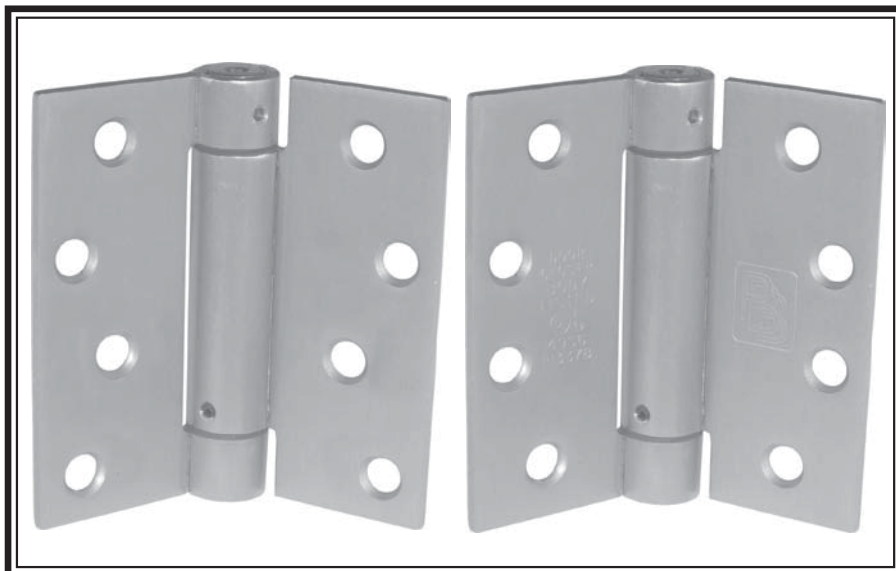


FULL MORTISE U.L. LISTED SPRING HINGE

STANDARD WEIGHT

4" x 4"

C3



SP81 (ANSI K8107)

Steel-Polished and Plated or Bonderized and Prime Coated for Painting.

SP51 (ANSI K5107)

Stainless Steel-Polished and Satin Finish

- Spring hinge door closer Model K8107 passed a 250,000 cycle UL test in accordance with Underwriters Laboratories for door closers, with or without integral smoke detectors.

- All hinges are ANSI template. 4" available in square and in 1/4" & 5/8" radius round corners.



GENERAL PRODUCT INFORMATION: PBB, Inc. template hinges are manufactured to close tolerances and meet all specifications and requirements set by the American National Standards Institute (ANSI).

OTHER SPECIFICATIONS:

Height of hinge: 4.00 + .000
- .015
Width: 4.00 ± .015

HINGE SWAGING: A standard swaging of our standard weight full mortise hinge when closed to parallel position provides a 1/16" clearance between leaves.

Maximum Door Size
For labeled doors 3' x 7' the maximum door size is based on the limits set forth by NFPA Standard #80. Labeled doors require Ball Bearing hinges.

SERIES	SIZE	RECOMMENDED MAX DOOR WEIGHT (LBS.)	SPRING HINGE	BUTT HINGE
FOR USE ON 1 3/4" DOOR, 1 3/8" DOOR				
SP81	4" x 4"	60	1	2
		85	2	1
		110	3	-

For non-labeled doors 4'0" wide 4" x 4" Spring hinges are not recommended. For non-labeled doors over 7'6" in height, use an additional hinge for each additional 30" of height or fraction thereof.

NOTES:

1. For complete warranty protection use all spring hinges or a combination of spring hinges and ball bearing hinges. Do not use plain bearing hinges as this voids all factory warranties.
2. Use of gasket for smoke or sound protection, wind condition or unbalanced air pressure may prevent door from latching. Additional closing power would be required. See installation instruction sheet.

MATERIAL GAUGE: .130 ± .005

4" STANDARD SCREW SIZE
FHMS - 12-24 x 1/2"
FHWS - 12 x 1-1/4"

PACKAGING INFORMATION:

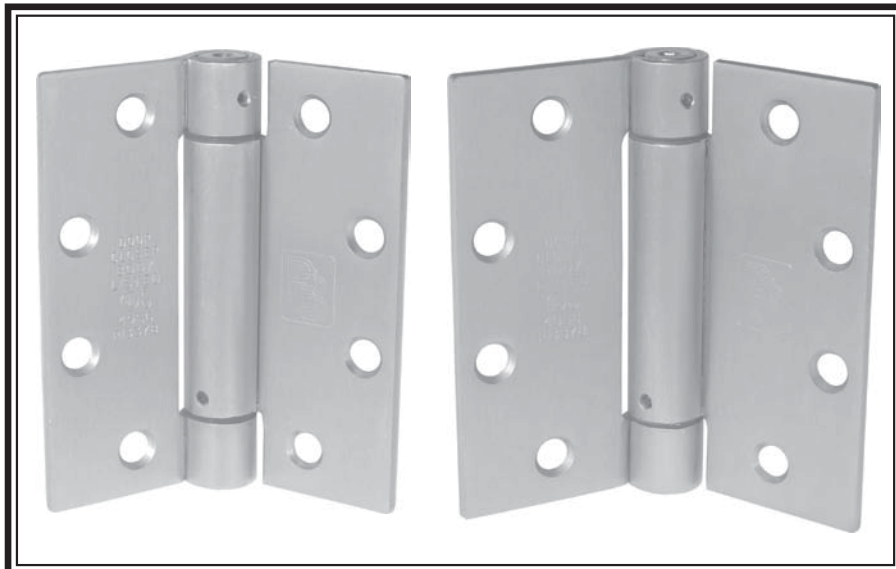
One hinge per plastic bag, 3 hinges and 1 screw pack per unit carton.
16 unit carton or 48 hinges per master shipping carton.
1 screw pack includes all machine screws (24), and 1/2 wood screws (12). ATMS & AWS also available.



FULL MORTISE U.L. LISTED SPRING HINGE

STANDARD WEIGHT
4 1/2" x 4" 4 1/2" x 4 1/2"

C4



SP81 (ANSI K8107)
Steel-Polished and Plated or Bonderized and Prime Coated for Painting.

SP51 (ANSI K5107)
Stainless Steel-Polished and Satin Finish

- Spring hinge door closer Model K8107/ K5107 passed a 1,000,000 cycle UL test in accordance with Underwriters Laboratories for door closers, with or without integral smoke detectors.

- Both models comply and meet ANSI/BHMA specifications for ANSI/BHMA A156.17 Grade 1 and bear U.L.'s listing mark.

- All hinges are ANSI template.



GENERAL PRODUCT INFORMATION: PBB, Inc. template hinges are manufactured to close tolerances and meet all specifications and requirements set by the American National Standards Institute (ANSI).

HINGE SWAGING: A standard swaging of our standard weight full mortise hinge when closed to parallel position provides a 1/16" clearance between leaves.

OTHER SPECIFICATIONS:

Height of hinge:
4.50 + .000 for 4-1/2" x 4"
- .015

Width:
4.50 + .000 for 4-1/2" x 4-1/2"
- .015

4.00 ± .015 for 4-1/2" x 4"
4.50 ± .015 for 4-1/2" x 4-1/2"

SERIES	SIZE	RECOMMENDED MAX DOOR WEIGHT (LBS.)	SPRING HINGE	BUTT HINGE
FOR USE ON 1 3/4" DOOR				
SP81	4 1/2"x4" 4 1/2"x4 1/2"	70	1	2
		100	2	1
		150	3	-

Maximum Door Size

For labeled doors 3' x 7' the maximum door size is based on the limits set forth by NFPA Standard #80. Labeled doors require Ball Bearing hinges.

For non-labeled doors 4'0" wide 4" x 4" Spring hinges are not recommended. For non-labeled doors over 7'6" in height, use an additional hinge for each additional 30" of height or fraction thereof.

NOTES:

1. For complete warranty protection use all spring hinges or a combination of spring hinges and ball bearing hinges. Do not use plain bearing hinges as this voids all factory warranties.

2. Use of gasket for smoke or sound protection, wind condition or unbalanced air pressure may prevent door from latching. Additional closing power would be required. See installation instruction sheet.

MATERIAL GAUGE:

.134 ± .005 for 4-1/2" x 4"
.134 ± .005 for 4-1/2" x 4-1/2"

4-1/2" STANDARD SCREW SIZE
FHMS - 12-24 x 1/2"
FHWS - 12 x 1-1/4"

PACKAGING INFORMATION:

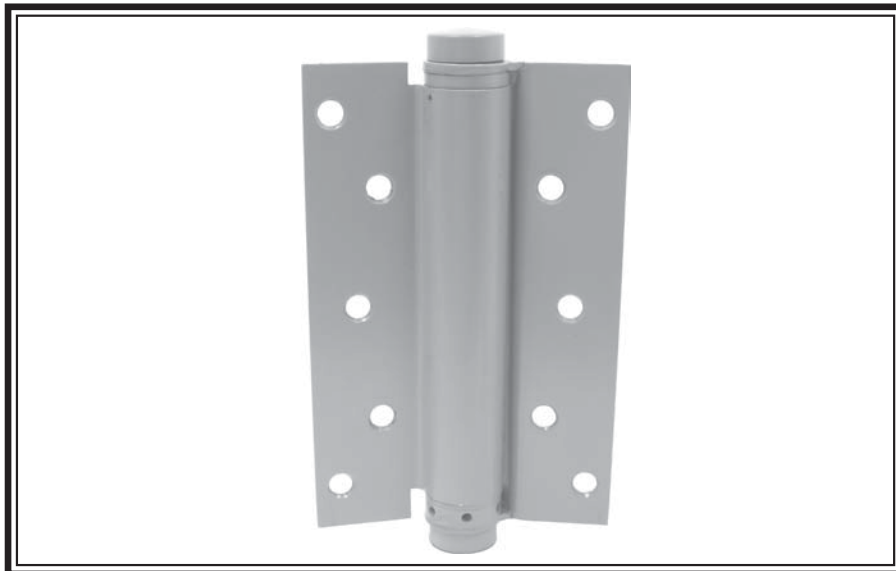
One hinge per plastic bag, 3 hinges and 1 screw pack per unit carton.
16 unit carton or 48 hinges per master shipping carton.
1 screw pack includes all machine screws (24), and 1/2 wood screws (12). ATMS & AWS also available.



FULL MORTISE SINGLE ACTING SPRING HINGE

STANDARD WEIGHT
6" x 4 1/2" 6" x 6" 7" x 7"

C5



SA-81 (ANSI K81071)

Steel - Polished and Plated or Bonderized and Prime Coated for Painting.

- Single acting spring hinge is designed for 1-3/4" stock hollow metal or wood doors.
- UL Listed to Grade 2 ANSI/BHMA requirement A 156.17
- Permits doors to open in single direction and automatically return to the closed position.
- Pivot points do no align with standard full mortise hinges
- See template for exact dimensions
- All hinges are ANSI template

GENERAL PRODUCT INFORMATION: PBB, Inc. template hinges are manufactured to close tolerances and meet all specifications and requirements set by the American National Standards Institute (ANSI).

HINGE SWAGING: A standard swaging of our standard weight full mortise hinge when closed to parallel position provides a 1/16" clearance between leaves.

MATERIAL GAUGE:

.100 ± .005 for 4-1/2", 6", 7"

Barrel Diameter: 1.180

6" x 4-1/2", 7" x 7" STANDARD SCREW SIZE
FHMS - 12-24 x 1/2"
FHWS - 12 x 1-1/4"

6" x 6" STANDARD SCREW SIZE
FHMS - 10-24 x 1/2"
FHWS - 10 x 1"

PACKAGING INFORMATION:

One hinge per plastic bag, 2 hinges and 1 screw pack per unit carton.
 8 unit carton or 24 hinges per master shipping carton.
 1 screw pack includes all machine screws (30), and 1/2 wood screws (15). ATMS & AWS also available.

OTHER SPECIFICATIONS:

Flange Height:

- 4.50 for 4-1/2"
- 6.00 for 6"
- 7.00 for 7"

Width:

- 4.50 for 4-1/2"
- 4.50 for 6"
- 4.50 for 7"

SA-81 Series Maximum Door Sizes and Weights						
Series	2 Hinges		3 Hinges		Door Thick-ness	Door Height
	Door Weight Lbs.	Door Width	Door Weight Lbs.	Door Width		
SA-81 6" x 4.5"	125	3'-0"	155	4'-0"	1 3/4"	7'-0"
SA-81 6" x 6"	125	3'-0"	155	4'-0"	1 3/4"	7'-0"
SA-81 7" x 7"	130	3'-6"	175	4'-0"	2"	7'-0"

DA - 81 Series Maximum Door Sizes and Weights

It is advisable to use three hinges on a door. The center hinge should be installed as close as possible to the top hinge for maximum support. Hinge capacity decreases as door height decreases.

Request template from factory for door and frame clearance required.

Non Handed

DO NOT USE ON DOORS WITH HINGE EDGE BEVELED.

NOTE: Wind Conditions, excessive air pressure, use of gasket for smoke or sound protection may prevent door from latching.

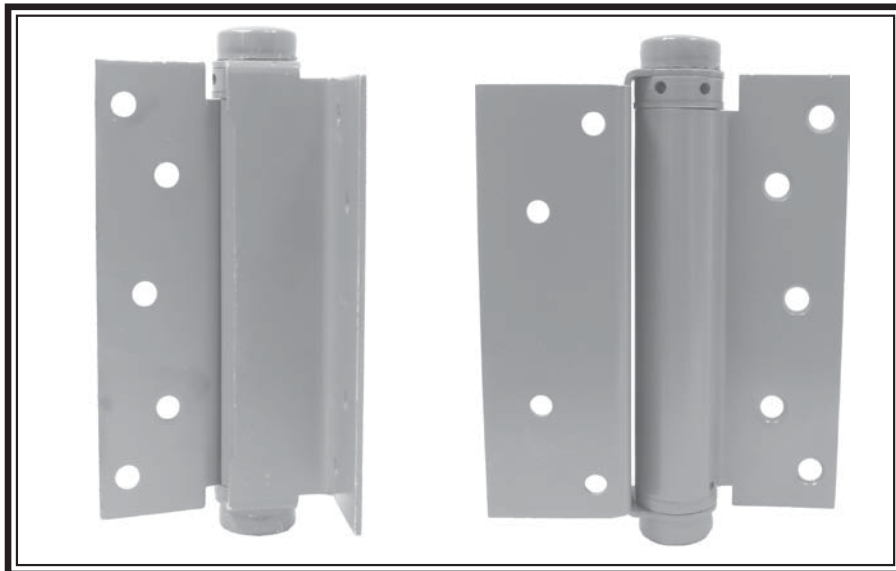


HALF SURFACE SINGLE ACTING SPRING HINGE

STANDARD WEIGHT

5 1/2" x 4 1/2" 6" x 6" 7" x 7"

G6



SA-84 (ANSI K81071)

Steel - Polished and Plated or Bonderized and Prime Coated for Painting.

- Single acting half surface spring hinge is designed to fit door 1 3/4' to 2" max thickness.
- Door flange is designed to surface mount metal or wood doors.
- Permits doors to open in single direction and automatically return to the closed position.
- Pivot points do not align with standard full surface hinges.
- See template for exact dimensions
- All hinges are ANSI template

GENERAL PRODUCT INFORMATION: PBB, Inc. template hinges are manufactured to close tolerances and meet all specifications and requirements set by the American National Standards Institute (ANSI).

HINGE SWAGING: A standard swaging of our standard weight full mortise hinge when closed to parallel position provides a 1/16" clearance between leaves.

MATERIAL GAUGE:

.100 ± .005 for 4", 6", 7"

Barrel Diameter: 1.180

SA-84 STANDARD SCREW SIZE	
FHMS - 12-24 x 1/2"	
FHWS - 12 x 1 1/2"	
OHMS/NUT - 2" x 1/4-20	

PACKAGING INFORMATION:

One hinge per plastic bag, 2 hinges and 1 screw pack per unit carton.
 8 unit carton or 24 hinges per master shipping carton.
 1 screw pack includes all machine screws (28), and 1/2 wood screws (14). ATMS & AWS also available.

OTHER SPECIFICATIONS:

Jamb Flange:

6.00 for 6" x 6"
 7.00 for 7" x 7"

Door Flange:

5.50 for 6" x 6"
 7.00 for 7" x 7"

SA-84 Series Maximum Door Sizes and Weights						
Series	2 Hinges		3 Hinges		Door Thickness	Door Height
	Door Weight Lbs.	Door Width	Door Weight Lbs.	Door Width		
SA-84 6"	125	3'-0"	155	4'-0"	1 3/4"	7'-0"
SA-84 7"	130	3'-6"	175	4'-0"	2"	7'-0"

DA - 81 Series Maximum Door Sizes and Weights

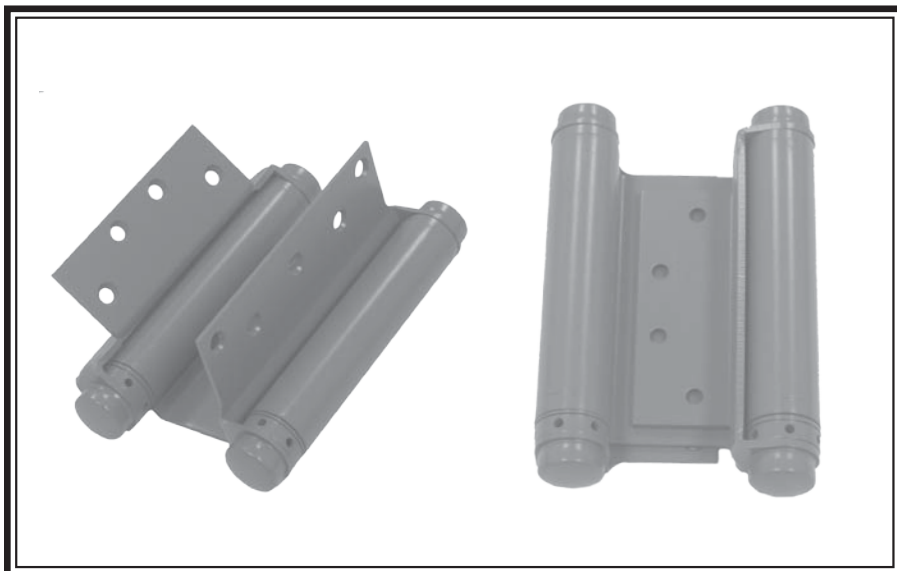
It is advisable to use three hinges on a door. The center hinge should be installed as close as possible to the top hinge for maximum support. Hinge capacity decreases as door height decreases. Request template from factory for door and frame clearance required. Non Handed
 DO NOT USE ON DOORS WITH HINGE EDGE BEVELED.
 NOTE: Wind Conditions, excessive air pressure, use of gasket for smoke or sound protection may prevent door from latching.



FULL MORTISE DOUBLE ACTING SPRING HINGE

STANDARD WEIGHT
6" x 4 1/2"

C7



DA-81 (ANSI K81151)
Steel - Polished and Plated or Bonderized and Prime Coated for Painting.

- Double acting spring hinge is designed for 1-3/4" stock hollow metal or wood doors.
- Door flange is designed to fit standard 4 1/2" x 4 1/2" template mortise.
- Permits doors to open in either direction and automatically return to the closed position.
- See template for exact dimensions.
- No hanging strip is required on frame. Jamb flange is surface applied to jamb.
- All hinges are ANSI template

GENERAL PRODUCT INFORMATION: PBB, Inc. template hinges are manufactured to close tolerances and meet all specifications and requirements set by the American National Standards Institute (ANSI).

HINGE SWAGING: A standard swaging of our standard weight full mortise hinge when closed to parallel position provides a 1/16" clearance between leaves.

MATERIAL GAUGE:

Jamb Flange - .100 ± .005 for 6"
Door Flange - .134 ± .005 for 4 1/2"

Barrel Diameter: 1.180

OTHER SPECIFICATIONS:

Height of hinge:
Jamb Flange: 6.00 for 6"
Door Flange: 4.50 for 4 1/2"
Width:
Jamb Flange: 1.750 for 6"
Door Flange: 1.650 for 4 1/2"

DA-81 Series Maximum Door Sizes and Weights						
Series	2 Hinges		3 Hinges		Door Thick-ness	Door Height
	Door Weight Lbs.	Door Width	Door Weight Lbs.	Door Width		
DA-81 6 x 4.5	75	2'-8"	107	3'-0"	1 3/4"	7'-0"

DA - 81 Series Maximum Door Sizes and Weights

It is advisable to use three hinges on a door. The center hinge should be installed as close as possible to the top hinge for maximum support. Hinge capacity decreases as door height decreases. Request template from factory for door and frame clearance required. Non Handed
DO NOT USE ON DOORS WITH HINGE EDGE BEVELED.
NOTE: Wind conditions, excessive air pressure, use of gasket for smoke or sound protection may prevent door from latching.

DA-81 STANDARD SCREW SIZE
FHMS - 12-24 x 1/2"
FHWS - 12 x 1 1/2"

PACKAGING INFORMATION:

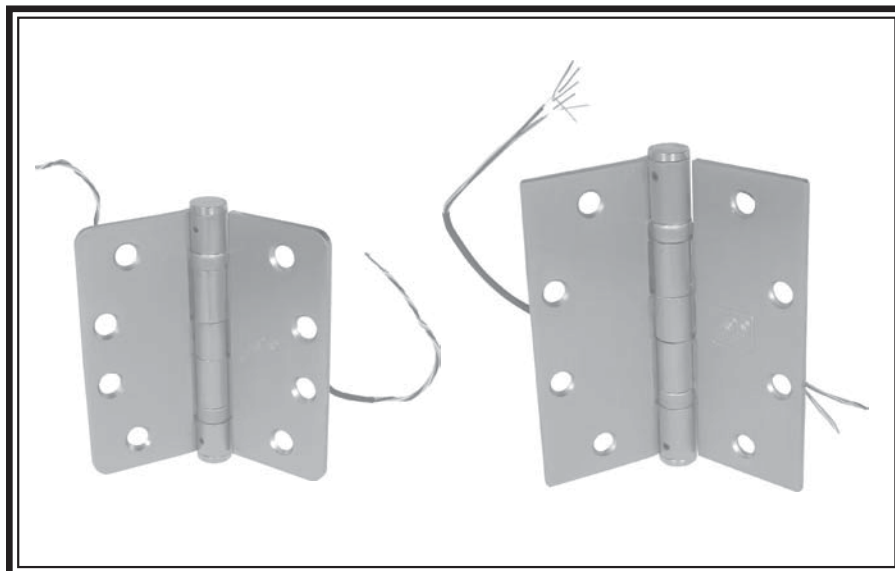
One hinge per plastic bag, 2 hinges and 1 screw pack per unit carton.
8 unit carton or 24 hinges per master shipping carton.
1 screw pack includes all machine screws (28), and 1/2 wood screws (14). ATMS & AWS also available.



FULL MORTISE ELECTRIC BALL BEARING

STANDARD WEIGHT

4" x 4" 4 1/2" x 4" 5" x 4" 5" x 4 1/2" 5" x 5"



D1

BB81EL/CB81EL (ANSI A8112)

Steel-Polished and Plated or Bonderized and Prime Coated for Painting.

BB21EL/CB21EL (ANSI A2112)

Brass-Polished and Plated

BB51EL/CB51EL (ANSI A5112)

Stainless Steel-Polished and Satin Finish

ELECTRIC

Gauges available: .130, .134, .146

•Electric hinges allow electrical currents and signals to pass from jamb through the hinge into the door in an invisible manner.

•Available in ball bearing type only.

•All hinges are ANSI template.

GENERAL PRODUCT INFORMATION: PBB, Inc. template hinges are manufactured to close tolerances and meet all specifications and requirements set by the American National Standards Institute (ANSI).

HINGE SWAGING: A standard swaging of our standard weight full mortise hinge when closed to parallel position provides a 1/16" clearance between leaves.

CONCEALED ELECTRIC THROUGH-WIRE:

Two (20 gauge), four (28 gauge), six (30 gauge), eight (30 gauge), and ten (30 gauge) continuous electric conductors. Full mortise ball bearing, standard weight. NRP-NOT NECESSARY.

To order use symbol "EL" as suffix.

MATERIAL GAUGE:

.130 ± .005 for 4"

.134 ± .005 for 4-1/2"

.146 ± .005 for 5"

****NOTE: PURCHASE ORDERS PLACED FOR ELECTRIC MODIFICATION ARE NON CANCELLABLE****

PACKAGING INFORMATION:

One hinge and 1 screw pack per unit carton.

1 screw pack includes all machine screws (8), and 1/2 wood screws (4). ATMS & AWS also available.

OTHER SPECIFICATIONS:

Height of hinge:

4.00 + .000 for 4"
- .015

4.50 + .000 for 4 1/2"
- .015

5.00 + .000 for 5"
- .015

Width:

4.00 ± .015 for 4" x 4", 4-1/2" x 4", 5" x 4"

4.50 ± .015 for 4 1/2" x 4 1/2", 5" x 4-1/2"

5.00 ± .015 for 5" x 5"



(4"/4-1/2"/5") STANDARD SCREW SIZE

FHMS - 12-24 x 1/2"

FHWS - 12 x 1-1/4"

Additional wire length may be purchased at additionally cost. See pricebook for additional cost.

All electric hinge modifications are to be placed in the center hinge position. Any other locations will void warranty. For grout filled frames install PBB mortar box-Failure to install mortar box voids warranty.



FULL MORTISE ELECTRIC BALL BEARING

Electrical Specifications - (Maximum Continuous Rating)

EL2W - 24 VAC/DC, @ 3 amps, continuous, 8 amp surge

EL4W - 24 VAC/DC, 1 pr @ 1 amp, 1 pr @ .25 amps

EL6W - 24 VAC/DC, 1 pr @ 1 amp, 2 pr @ .10 amps

We do not recommend splicing hinges containing 26 AWG wire (EL4W, 6W) to any wire heavier than 18 AWG

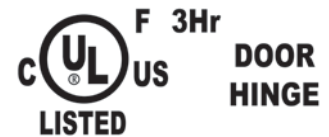
EL8W - 24 VAC/DC, 1 pr @ 1 amp, 3 pr @ .10 amps

EL10W - 24 VAC/DC, 1 pr @ 1 amp, 4 pr @ .10 amps

We do not recommend splicing hinges containing 28 AWG wire (EL8W, 10W) to any wire heavier than 20 AWG

Ratings are: 20 AWG pair @ 24 Volts AC/DC @ 3 amps continuous
20 AWG pair can be cycled at 8 amps surge for 100-200 m-sec for 15 seconds with a rest period of 15 seconds.

MODELS AVAILABLE	
EL2W	Concealed electric through-wire. 2 PTFE coated 20 gauge high Amp.
EL2+4W	Concealed electric through-wire. 2 PTFE coated 20 gauge. 4 PTFE coated 28 gauge.
EL4W	Concealed electric through-wire. 4 PTFE coated 28 gauge
EL6W	Concealed electric through-wire. 6 PTFE coated 30 gauge
EL8W	Concealed electric through-wire. 8 PTFE coated 30 gauge
EL10W	Concealed electric through-wire. 10 PTFE coated 30 gauge



INSTALLATION:

Do not disassemble hinge. Disassembly voids warranty.

Do not force hinge into perp. Binding hinges will shorten life and damage hinge.

Do not hang hinge from wires. Damage can occur.

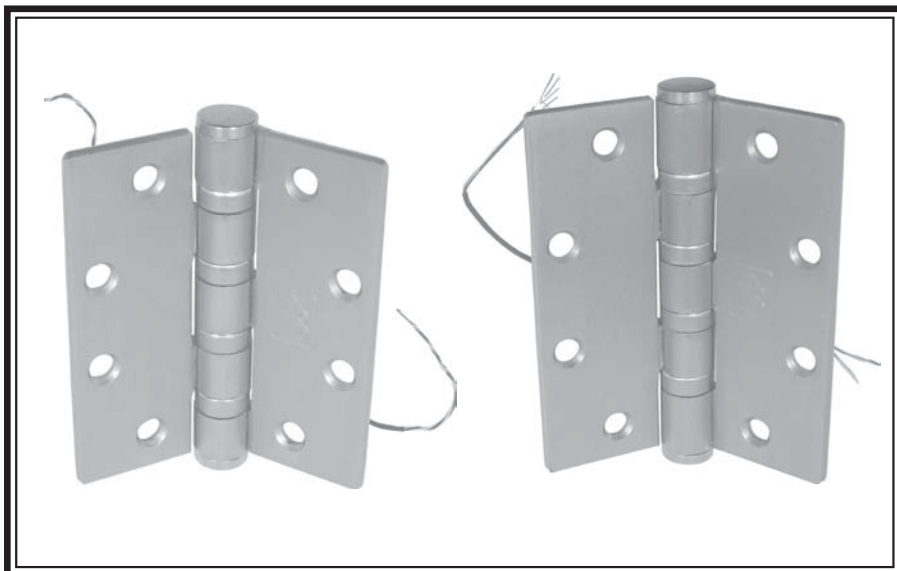
After connections are made, slide wires through holes, making sure that wires are not pinched or rubbing on sharp edges.



FULL MORTISE ELECTRIC BALL BEARING

HEAVY WEIGHT

4 1/2" x 4" 4 1/2" x 4 1/2" 5" x 4" 5" x 4 1/2" 5" x 5"



D3

4B81EL/4C81EL (ANSI A8111)
Steel-Polished and Plated or Bonderized and Prime Coated for Painting.

4B21EL/4C21EL (ANSI A2111)
Brass-Polished and Plated

4B51EL/4C51EL (ANSI A5111)
Stainless Steel-Polished and Satin Finish

ELECTRIC

Gauges available: .180, .190

- Electric hinges allow electrical currents and signals to pass from jamb through the hinge into the door in an invisible manner.

- Available in ball bearing type only.

- All hinges are ANSI template.

GENERAL PRODUCT INFORMATION: PBB, Inc. template hinges are manufactured to close tolerances and meet all specifications and requirements set by the American National Standards Institute (ANSI).

HINGE SWAGING: A standard swaging of our standard weight full mortise hinge when closed to parallel position provides a 1/16" clearance between leaves.

CONCEALED ELECTRIC THROUGH-WIRE:

Two (20 gauge), four (28 gauge), six (30 gauge), eight (30 gauge), and ten (30 gauge) continuous electric conductors. Full mortise ball bearing, standard weight. NRP-NOT NECESSARY.

To order use symbol "EL" as suffix

MATERIAL GAUGE:

.180 ± .005 for 4-1/2"
 .190 ± .005 for 5"

OTHER SPECIFICATIONS:

Height of hinge:

4.50 + .000
 - .015 for 4 1/2"

5.00 + .000
 - .015 for 5"

Width:

4.00 ± .015 for 4-1/2" x 4", 5" x 4"
 4.50 ± .015 for 4 1/2" x 4 1/2", 5" x 4-1/2"
 5.00 ± .015 for 5" x 5"



(4-1/2", 5") STANDARD SCREW SIZE
FHMS - 12-24 x 1/2"
FHWS - 12 x 1-1/4"

****NOTE: PURCHASE ORDERS PLACED FOR ELECTRIC MODIFICATION ARE NON CANCELLABLE****

Additional wire length may be purchased at additionally cost. See pricebook for additional cost.

PACKAGING INFORMATION:

One hinge and 1 screw pack per unit carton.
 1 screw pack includes all machine screws (8), and 1/2 wood screws (4). ATMS & AWS also available.

All electric hinge modifications are to be placed in the center hinge position. Any other locations will void warranty. For grout filled frames install PBB mortar box-Failure to install mortar box voids warranty.



FULL MORTISE ELECTRIC BALL BEARING

Electrical Specifications - (Maximum Continuous Rating)

EL2W - 24 VAC/DC, @ 3 amps, continuous, 8 amp surge

EL4W - 24 VAC/DC, 1 pr @ 1 amp, 1 pr @ .25 amps

EL6W - 24 VAC/DC, 1 pr @ 1 amp, 2 pr @ .10 amps

We do not recommend splicing hinges containing 26 AWG wire (EL4W, 6W) to any wire heavier than 18 AWG

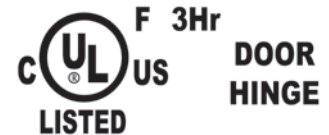
EL8W - 24 VAC/DC, 1 pr @ 1 amp, 3 pr @ .10 amps

EL10W - 24 VAC/DC, 1 pr @ 1 amp, 4 pr @ .10 amps

We do not recommend splicing hinges containing 28 AWG wire (EL8W, 10W) to any wire heavier than 20 AWG

Ratings are: 20 AWG pair @ 24 Volts AC/DC @ 3 amps continuous
20 AWG pair can be cycled at 8 amps surge for 100-200 m-sec for 15 seconds with a rest period of 15 seconds.

MODELS AVAILABLE	
EL2W	Concealed electric through-wire. 2 PTFE coated 20 gauge high Amp.
EL2+4W	Concealed electric through-wire. 2 PTFE coated 20 gauge. 4 PTFE coated 28 gauge.
EL4W	Concealed electric through-wire. 4 PTFE coated 28 gauge
EL6W	Concealed electric through-wire. 6 PTFE coated 30 gauge
EL8W	Concealed electric through-wire. 8 PTFE coated 30 gauge
EL10W	Concealed electric through-wire. 10 PTFE coated 30 gauge



INSTALLATION:

Do not disassemble hinge. Disassembly voids warranty.

Do not force hinge into perp. Binding hinges will shorten life and damage hinge.

Do not hang hinge from wires. Damage can occur.

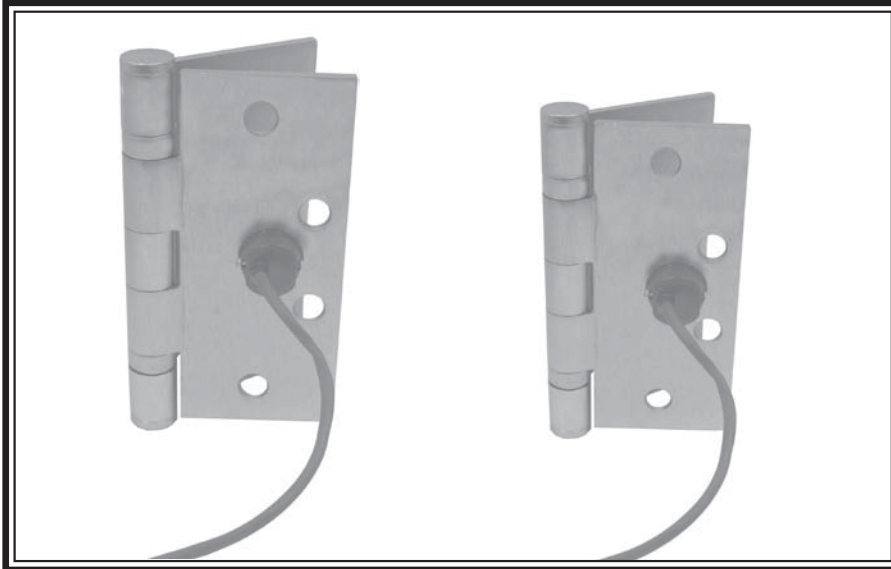
After connections are made, slide wires through holes, making sure that wires are not pinched or rubbing on sharp edges.



FULL MORTISE MONITOR BALL BEARING

STANDARD WEIGHT

4" X 4" 4 1/2" X 4" 4 1/2" X 4 1/2" 5" X 4" 5" X 4 1/2" 5" X 5"



BB81EM/CB81EM (ANSI A8112)

Steel-Polished and Plated or Bonderized and Prime Coated for Painting.

BB21EM/CB21EM (ANSI A2112)

Brass-Polished and Plated

BB51EM/CB51EM (ANSI A5112)

Stainless Steel-Polished and Satin Finish

MONITOR

Gauges available: .130, .134, .146.

•When opened will allow signals to pass through the hinge into the frame in an invisible manner.

•Available in ball bearing type only.

•Means for adjustment of monitoring sensitivity is provided for fine tuning snap action switch

•All hinges are ANSI template.

GENERAL PRODUCT INFORMATION: PBB, Inc. template hinges are manufactured to close tolerances and meet all specifications and requirements set by the American National Standards Institute (ANSI).

HINGE SWAGING: A standard swaging of our standard weight full mortise hinge when closed to parallel position provides a 1/16" clearance between leaves.

CONCEALED MONITOR: Miniature snap action switch is incorporated into frame leaf. Full mortise ball bearing, standard and heavy weight.

NRP-NOT NECESSARY.

To order use symbol "EM" as suffix.

MATERIAL GAUGE:

.130 ± .005 for 4"

.134 ± .005 for 4 1/2"

.146 ± .005 for 5"

****NOTE: PURCHASE ORDERS PLACED FOR ELECTRIC MODIFICATION ARE NON CANCELLABLE****

PACKAGING INFORMATION:

One hinge and 1 screw pack per unit carton.

1 screw pack includes all machine screws (8), and 1/2 wood screws (4). ATMS & AWS also available.

OTHER SPECIFICATIONS:

Height of hinge:

4.00 + .000 for 4"
- .015

4.50 + .000 for 4-1/2"
- .015

5.00 + .000 for 5"
- .015

Width:

4.00 ± .015 for 4" x 4", 4 1/2" x 4", 5" x 4"

4.50 ± .015 for 4 1/2" x 4 1/2", 5" x 4 1/2"

5.00 ± .015 for 5" x 5"

All electric hinge modifications are to be placed in the center hinge position, any other locations will void warranty. For grout fill frames, install PBB mortar box-Failure to install mortar box voids warranty.

4" STANDARD SCREW SIZE
FHMS - 12-24 x 1/2"
FHWS - 12 x 1-1/4"

4 1/2" STANDARD SCREW SIZE
FHMS - 12-24 x 1/2"
FHWS - 12 x 1-1/4"

5" STANDARD SCREW SIZE
FHMS - 12-24 x 1/2"
FHWS - 12 x 1-1/4"

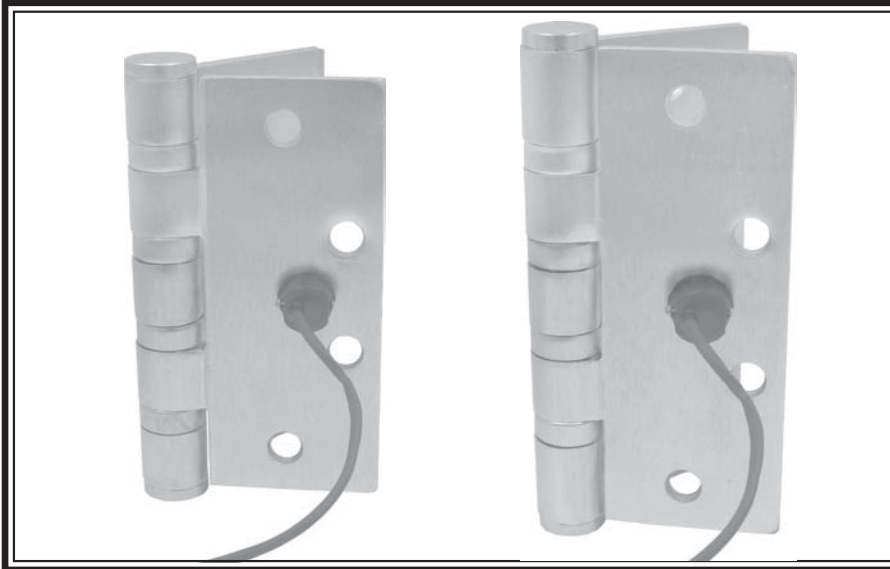


FULL MORTISE MONITOR BALL BEARING

HEAVY WEIGHT

4 1/2" x 4" 4 1/2" x 4 1/2" 5" x 4" 5" x 4 1/2" 5" x 5"

D6



4B81EM/4C81EM (ANSI A8111)
Steel-Polished and Plated or Bonderized and Prime Coated for Painting.

4B21EM/4C21EM (ANSI A2111)
Brass-Polished and Plated

4B51EM/4C51EM (ANSI A5111)
Stainless Steel-Polished and Satin Finish

MONITOR

Gauges available: .180, .190

- When opened will allow signals to pass through the hinge into the frame in an invisible manner.

- Available in ball bearing type only.

- Means for adjustment of monitoring sensitivity is provided for fine tuning snap action switch

- All hinges are ANSI template.

OTHER SPECIFICATIONS:

Height of hinge:

4.50 + .000 for 4"
 - .015

5.00 + .000 for 5"
 - .015

Width:

4.00 ± .015 for 4 1/2" x 4", 5" x 4"

4.50 ± .015 for 4 1/2" x 4 1/2", 5" x 4 1/2"

5.00 ± .015 for 5" x 5"

All electric hinge modifications are to be placed in the center hinge position, any other locations will void warranty. For grout fill frames, install PBB mortar box-Failure to install mortar box voids warranty.

4 1/2" STANDARD SCREW SIZE
FHMS - 12-24 x 1/2" FHWS - 12 x 1-1/4"

5" STANDARD SCREW SIZE
FHMS - 12-24 x 1/2" FHWS - 12 x 1-1/4"

GENERAL PRODUCT INFORMATION: PBB, Inc. template hinges are manufactured to close tolerances and meet all specifications and requirements set by the American National Standards Institute (ANSI).

HINGE SWAGING: A standard swaging of our standard weight full mortise hinge when closed to parallel position provides a 1/16" clearance between leaves.

CONCEALED MONITOR: Miniature snap action switch is incorporated into frame leaf. Full mortise ball bearing, standard and heavy weight.

NRP-NOT NECESSARY.

To order use symbol "EM" as suffix.

MATERIAL GAUGE:

.180 ± .005 for 4 1/2"

.190 ± .005 for 5"

****NOTE: PURCHASE ORDERS PLACED FOR ELECTRIC MODIFICATION ARE NON CANCELLABLE****

PACKAGING INFORMATION:

One hinge and 1 screw pack per unit carton.

1 screw pack includes all machine screws (8), and 1/2 wood screws (4). ATMS & AWS also available.



MORTAR BOX FOR ELECTRIC HINGES

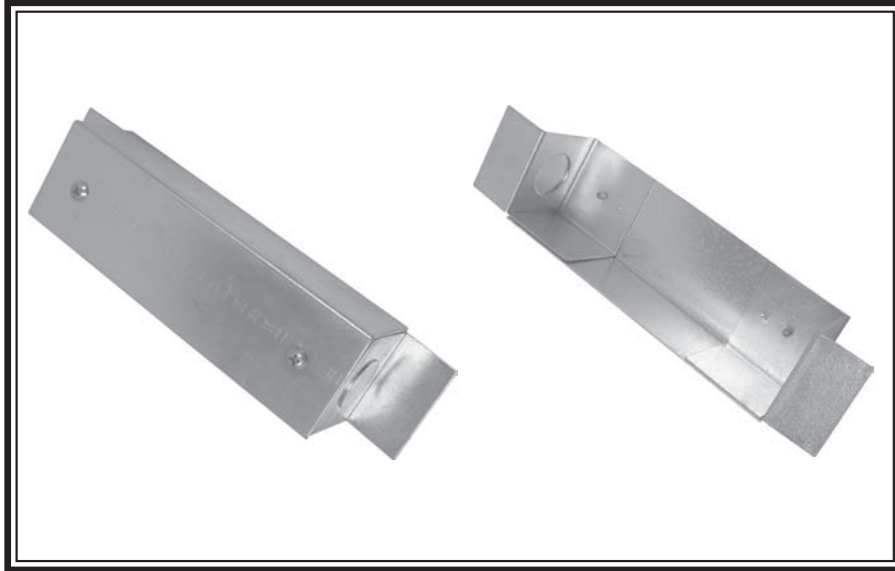
ADJUSTABLE MORTAR BOX

MBG

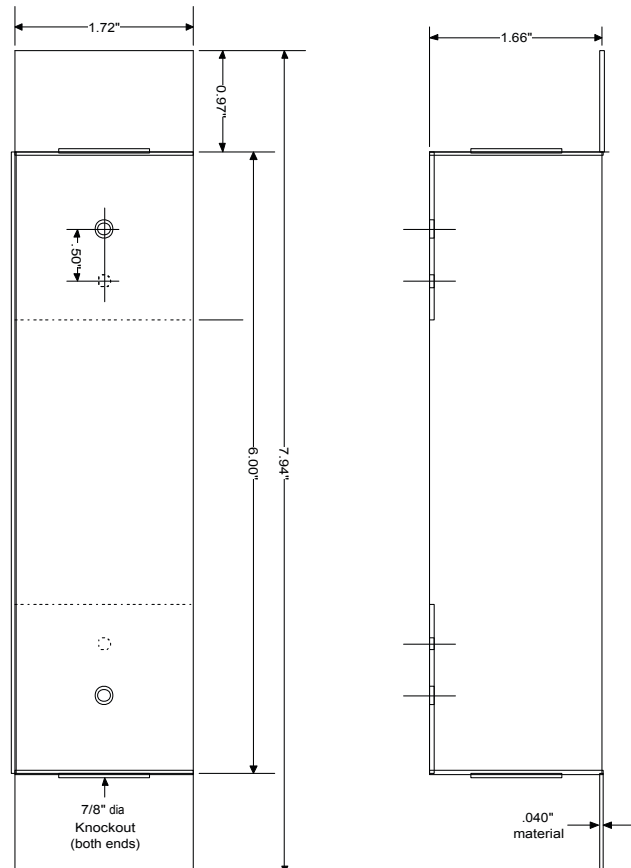
D7

Steel-Galvanized .040" sheet

- Furnished in 2C finish
- Adjustable from 6" to 7"
- Recommended for use with PBB Electric wire and monitor hinges
- Unit must be installed in center hinge position
- Any other location will void warranty
- Install according to instructions



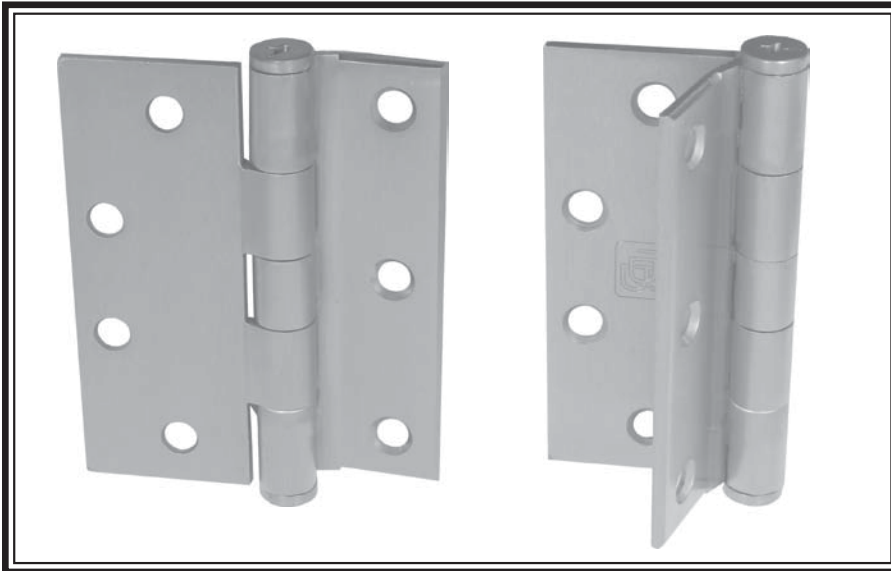
- Removable cover plate for servicing
- Serves as mortar shield
- 7/8" knockouts top and bottom for standard conduit fittings for wires to pass through
- Fits hinge reinforcements for 4-1/2" or 5" contract grade hinges
- Can be installed by hollow metal manufacturers or installed on the job before frame is set.
- Made for spot weld application
- Must be adjusted to proper size before spot welding to hinge reinforcing plate





HALF MORTISE TEMPLATE PLAIN BEARING

STANDARD WEIGHT
4 1/2"



PB82 (ANSI A8233)
Steel-Polished and Plated or Bonderized and Prime Coated for Painting

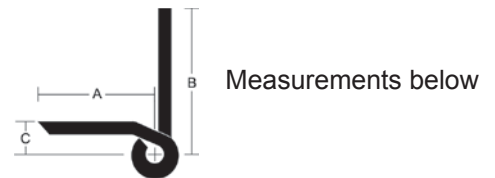
E1

PB22 (ANSI A2233)
Brass-Polished and Plated

PB52 (ANSI A5233)
Stainless Steel-Polished and Satin Finish

- For medium weight hollow metal doors with channel iron jambs receiving low frequency service.
- For hospital type, add HT to suffix of part number.
- Not for use with door closer.
- All hinges are ANSI template.

GENERAL PRODUCT INFORMATION: PBB, Inc. template hinges are manufactured to close tolerances and meet all specifications and requirements set by the American National Standards Institute (ANSI).



ALL HALF MORTISE HINGES ARE MADE FOR REVERSIBLE APPLICATIONS

MATERIAL GAUGE: .134 ± .005 for 4-1/2"

OTHER SPECIFICATIONS:

Height of hinge: 4.50 + .000 / - .015 for 4-1/2"

Width:
Jamb Leaf: (A) 1-1/2"
(inches)
Door Leaf: (B) 2-1/16"
(inches)
Offset (C) 7/16"
(inches)

4-1/2" STANDARD SCREW SIZE
FHMS - 12-24 x 1/2"
OHMS - 12-24 x 1/2"

PACKAGING INFORMATION:

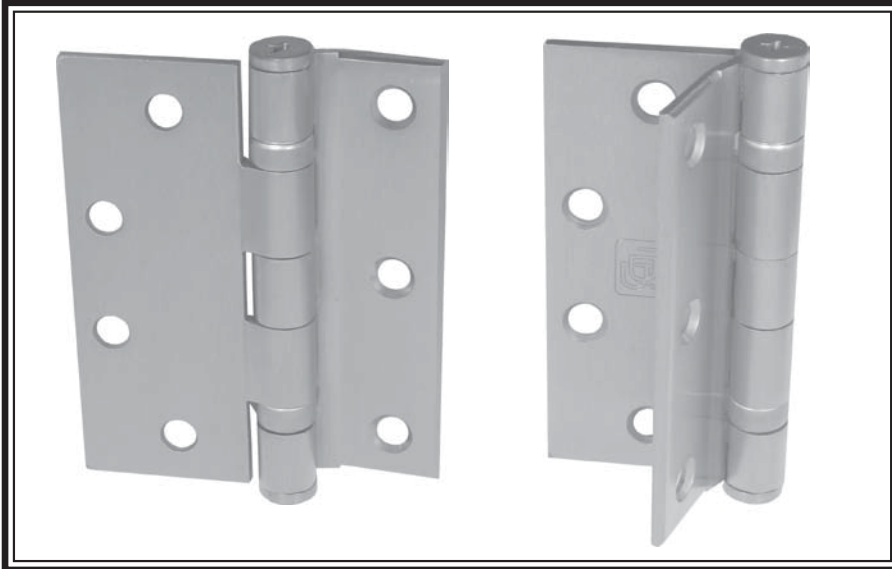
One hinge per plastic bag, 3 hinges and 1 screw pack per unit carton.
12 unit carton or 36 hinges per master shipping carton.
1 screw pack includes all machine screws (7).



HALF MORTISE TEMPLATE BALL BEARING

STANDARD WEIGHT
4 1/2"

E2



BB82 (ANSI A8212)
Steel-Polished and Plated or Bonderized and Prime Coated for Painting.

BB22 (ANSI A2212)
Brass-Polished and Plated

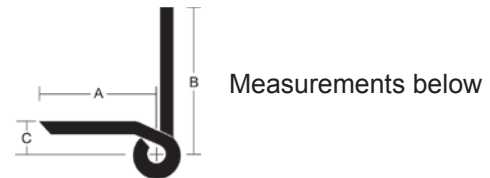
BB52 (ANSI A5212)
Stainless Steel-Polished and Satin Finish

- For medium weight hollow metal doors with channel iron jambs receiving average frequency service.
- For hospital type, add HT to suffix of part number.
- Equipped with two lubricated non-detachable ball bearings.
- All hinges are ANSI template.

GENERAL PRODUCT INFORMATION: PBB, Inc. template hinges are manufactured to close tolerances and meet all specifications and requirements set by the American National Standards Institute (ANSI).

ALL HALF MORTISE HINGES ARE MADE FOR REVERSIBLE APPLICATIONS

MATERIAL GAUGE:
.134 ± .005 for 4-1/2"



OTHER SPECIFICATIONS:

Height of hinge: + .000
4.50 - .015 for 4-1/2"

Width:

Jamb Leaf:	(A)	1-1/2"
(inches)		
Door Leaf:	(B)	2-1/16"
(inches)		
Offset	(C)	7/16"
(inches)		

4-1/2" STANDARD SCREW SIZE
FHMS - 12-24 x 1/2"
OHMS - 12-24 x 1/2"

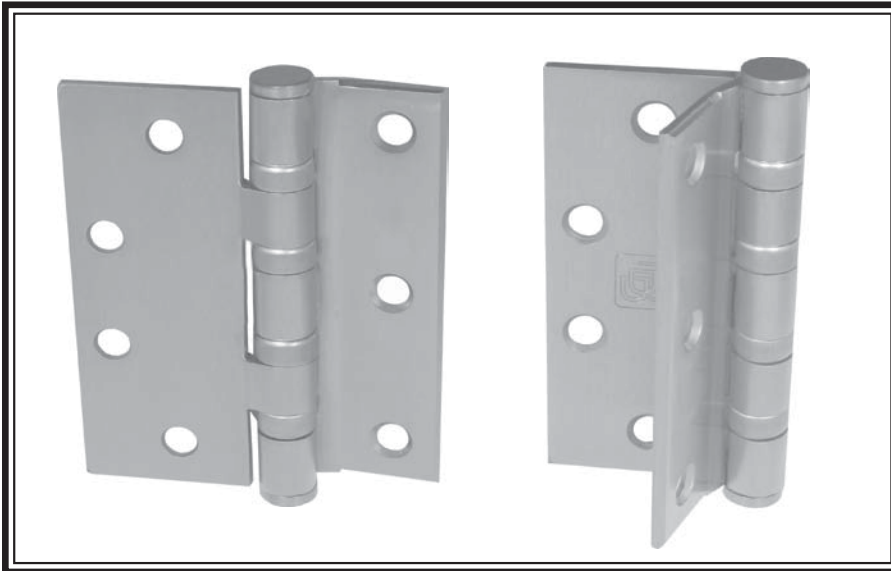
PACKAGING INFORMATION:

One hinge per plastic bag, 3 hinges and 1 screw pack per unit carton.
12 unit carton or 36 hinges per master shipping carton.
1 screw pack includes all machine screws (7).



HALF MORTISE TEMPLATE BALL BEARING

HEAVY WEIGHT
4 1/2"



4B82 (ANSI A8211)
Steel-Polished and Plated or Bonderized and Prime Coated for Painting.

E3

4B22 (ANSI A2211)
Brass-Polished and Plated

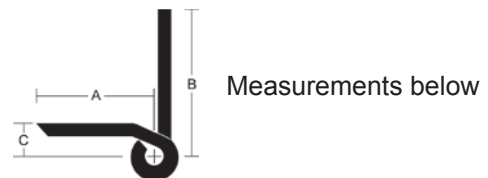
4B52 (ANSI A5211)
Stainless Steel-Polished and Satin Finish

- For heavy weight hollow metal doors with channel iron jambs receiving high frequency service.
- For hospital type, add HT to suffix of part number.
- Equipped with four lubricated non-detachable ball bearings.
- All hinges are ANSI template.

GENERAL PRODUCT INFORMATION: PBB, Inc. template hinges are manufactured to close tolerances and meet all specifications and requirements set by the American National Standards Institute (ANSI).

ALL HALF MORTISE HINGES ARE MADE FOR REVERSIBLE APPLICATIONS

MATERIAL GAUGE: .180 ± .005 for 4-1/2"



OTHER SPECIFICATIONS:

Height of hinge: 4.50 + .000 / - .015 for 4-1/2"

Width:
Jamb Leaf: (A) 1-1/2" (inches)
Door Leaf: (B) 2-1/8" (inches)
Offset (inches): (C) 1/2"

4-1/2" STANDARD SCREW SIZE
FHMS - 12-24 x 1/2"
OHMS - 12-24 x 1/2"

PACKAGING INFORMATION:

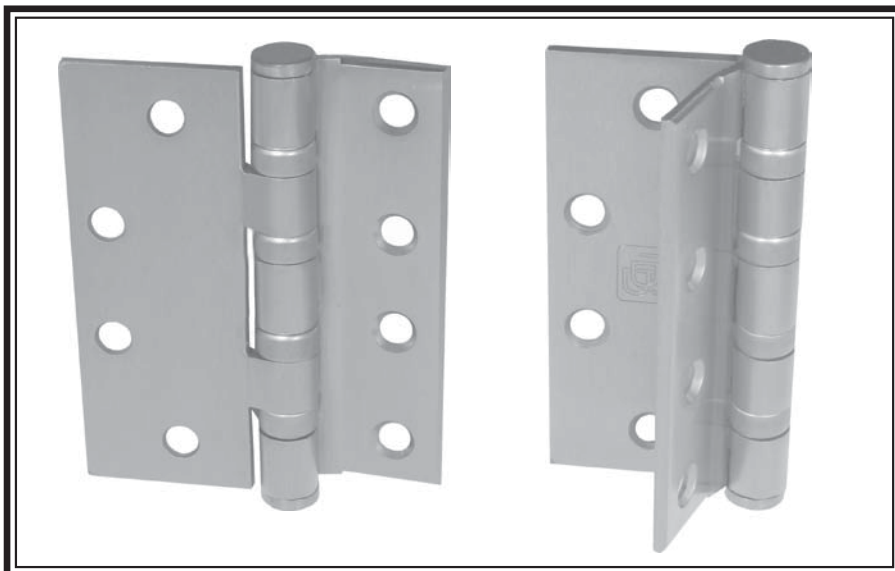
One hinge per plastic bag, 3 hinges and 1 screw pack per unit carton.
12 unit carton or 36 hinges per master shipping carton.
1 screw pack includes all machine screws (7).



HALF MORTISE TEMPLATE BALL BEARING

HEAVY WEIGHT
5"

E4



4B82 (ANSI A8211)
Steel-Polished and Plated or Bonderized and Prime Coated for Painting.

4B22 (ANSI A2211)
Brass-Polished and Plated

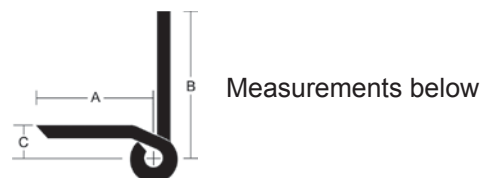
4B52 (ANSI A5211)
Stainless Steel-Polished and Satin Finish

- For heavy weight hollow metal doors with channel iron jambs receiving high frequency service.
- For hospital type, add HT to suffix of part number.
- Equipped with four lubricated non-detachable ball bearings.
- All hinges are ANSI template.

GENERAL PRODUCT INFORMATION: PBB, Inc. template hinges are manufactured to close tolerances and meet all specifications and requirements set by the American National Standards Institute (ANSI).

ALL HALF MORTISE HINGES ARE MADE FOR REVERSIBLE APPLICATIONS

MATERIAL GAUGE: .190 ± .005 for 5"



OTHER SPECIFICATIONS:

Height of hinge: + .000
5.00 - .015 for 5"

Width:
Jamb Leaf: (A) 1-1/2"
(inches)
Door Leaf: (B) 2-1/8"
(inches)
Offset (C) 1/2"
(inches)

5" STANDARD SCREW SIZE
FHMS - 12-24 x 1/2"
OHMS - 12-24 x 1/2"

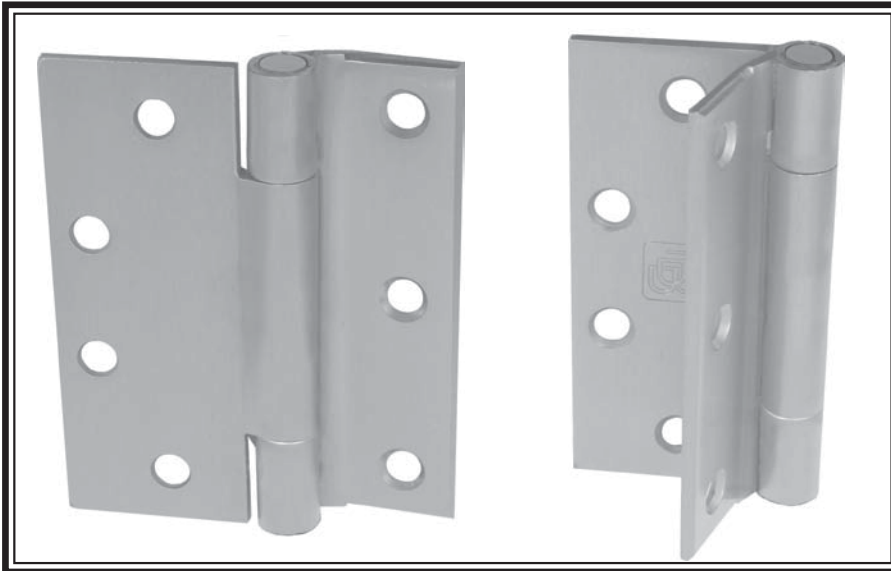
PACKAGING INFORMATION:

One hinge per plastic bag, 3 hinges and 1 screw pack per unit carton.
12 unit carton or 36 hinges per master shipping carton.
1 screw pack includes all machine screws (8).



HALF MORTISE TEMPLATE PLAIN BEARING

STANDARD WEIGHT
4 1/2"



CP82 (ANSI A8233)
Steel-Polished and Plated or Bonderized and Prime Coated for Painting.

CP22 (ANSI A2233)
Brass-Polished and Plated

CP52 (ANSI A5233)
Stainless Steel-Polished and Satin Finish

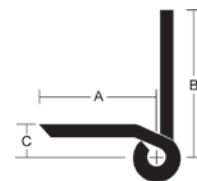
- For medium weight hollow metal doors with channel iron jambs receiving average frequency service.
- For hospital type, add HT to suffix of part number.
- Equipped with two lubricated non-detachable ball bearings.
- All hinges are ANSI template.

E5

GENERAL PRODUCT INFORMATION: PBB, Inc. template hinges are manufactured to close tolerances and meet all specifications and requirements set by the American National Standards Institute (ANSI).

ALL HALF MORTISE HINGES ARE MADE FOR REVERSIBLE APPLICATIONS

MATERIAL GAUGE: .134 ± .005 for 4-1/2"



Measurements below

OTHER SPECIFICATIONS:

Height of hinge: + .000
4.50 - .015 for 4-1/2"

Width:

Jamb Leaf: (A) 1-1/2"
(inches)

Door Leaf: (B) 2-1/16"
(inches)

Offset (C) 7/16"
(inches)

4-1/2" STANDARD SCREW SIZE
FHMS - 12-24 x 1/2"
OHMS - 12-24 x 1/2"

PACKAGING INFORMATION:

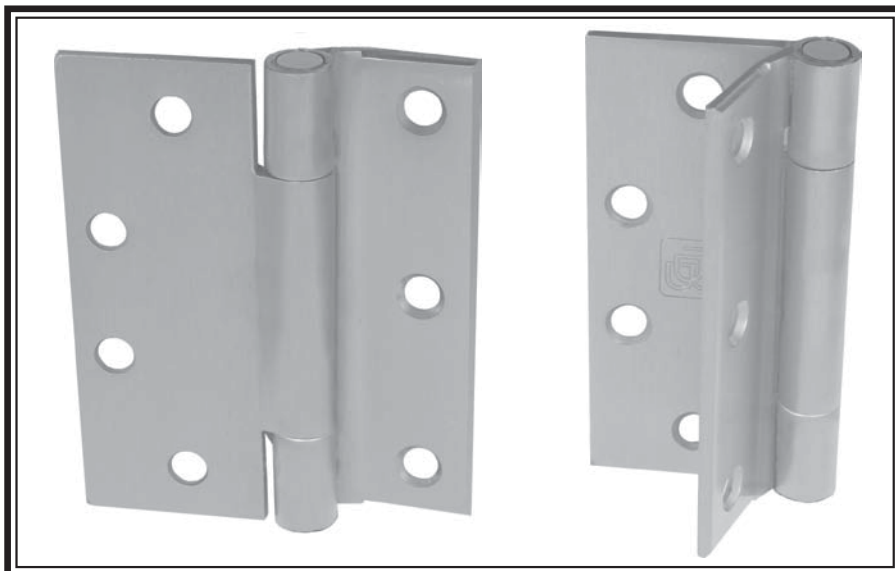
One hinge per plastic bag, 3 hinges and 1 screw pack per unit carton.
12 unit carton or 36 hinges per master shipping carton.
1 screw pack includes all machine screws (7).



HALF MORTISE TEMPLATE CONCEALED BEARING

STANDARD WEIGHT
4 1/2"

E6



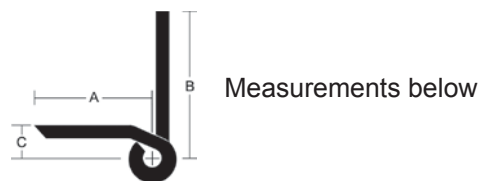
CB82 (ANSI A8212)
Steel-Polished and Plated or Bonderized and Prime Coated for Painting.

CB22 (ANSI A2212)
Brass-Polished and Plated

CB52 (ANSI A5212)
Stainless Steel-Polished and Satin Finish

- For medium weight hollow metal doors with channel iron jambs receiving average frequency service.
- For hospital type, add HT to suffix of part number.
- Equipped with two lubricated non-detachable ball bearings.
- All hinges are ANSI template.

GENERAL PRODUCT INFORMATION: PBB, Inc. template hinges are manufactured to close tolerances and meet all specifications and requirements set by the American National Standards Institute (ANSI).



ALL HALF MORTISE HINGES ARE MADE FOR REVERSIBLE APPLICATIONS

MATERIAL GAUGE: .134 ± .005 for 4-1/2"

OTHER SPECIFICATIONS:

Height of hinge: 4.50 + .000 / - .015 for 4-1/2"

Width:
Jamb Leaf: (A) 1-1/2"
(inches)
Door Leaf: (B) 2-1/16"
(inches)
Offset (C) 7/16"
(inches)

4-1/2" STANDARD SCREW SIZE
FHMS - 12-24 x 1/2"
OHMS - 12-24 x 1/2"

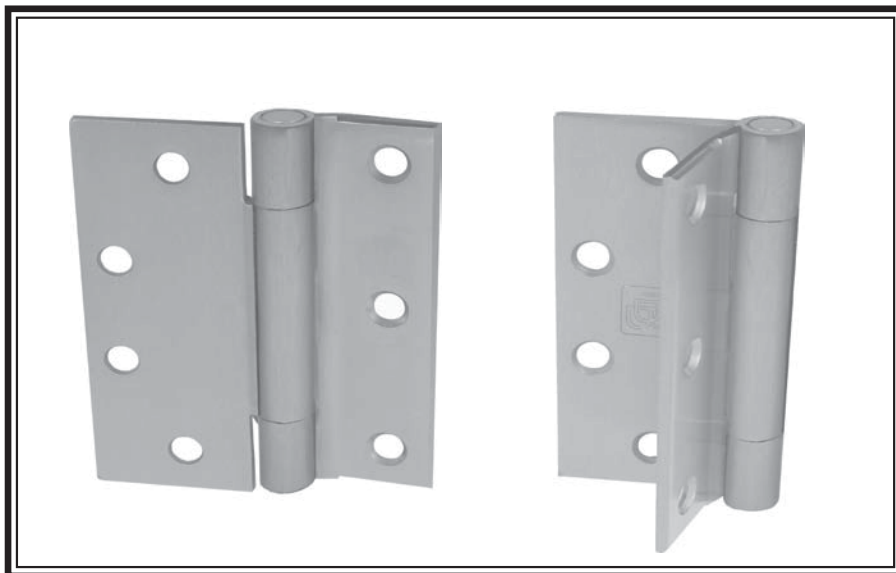
PACKAGING INFORMATION:

One hinge per plastic bag, 3 hinges and 1 screw pack per unit carton.
12 unit carton or 36 hinges per master shipping carton.
1 screw pack includes all machine screws (7).



HALF MORTISE TEMPLATE CONCEALED BEARING

HEAVY WEIGHT
4 1/2"



GENERAL PRODUCT INFORMATION: PBB, Inc. template hinges are manufactured to close tolerances and meet all specifications and requirements set by the American National Standards Institute (ANSI).

ALL HALF MORTISE HINGES ARE MADE FOR REVERSIBLE APPLICATIONS

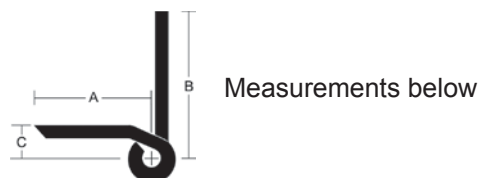
MATERIAL GAUGE: .180 ± .005 for 4-1/2"

4C82 (ANSI A8211)
Steel-Polished and Plated or Bonderized and Prime Coated for Painting.

4C22 (ANSI A2211)
Brass-Polished and Plated

4C52 (ANSI A5211)
Stainless Steel-Polished and Satin Finish

- For heavy weight hollow metal doors with channel iron jambs receiving high frequency service.
- For hospital type, add HT to suffix of part number.
- Concealed bearing for trouble free longlife application
- Attractive slim barrel with flush pins and plugs
- All hinges are ANSI template.



OTHER SPECIFICATIONS:

Height of hinge: + .000
4.50 - .015 for 4-1/2"

Width:
Jamb Leaf: (A) 1-1/2"
(inches)
Door Leaf: (B) 2-1/8"
(inches)
Offset (C) 1/2"
(inches)

4-1/2" STANDARD SCREW SIZE
FHMS - 12-24 x 1/2"
OHMS - 12-24 x 1/2"

PACKAGING INFORMATION:

One hinge per plastic bag, 3 hinges and 1 screw pack per unit carton.
12 unit carton or 36 hinges per master shipping carton.
1 screw pack includes all machine screws (7).

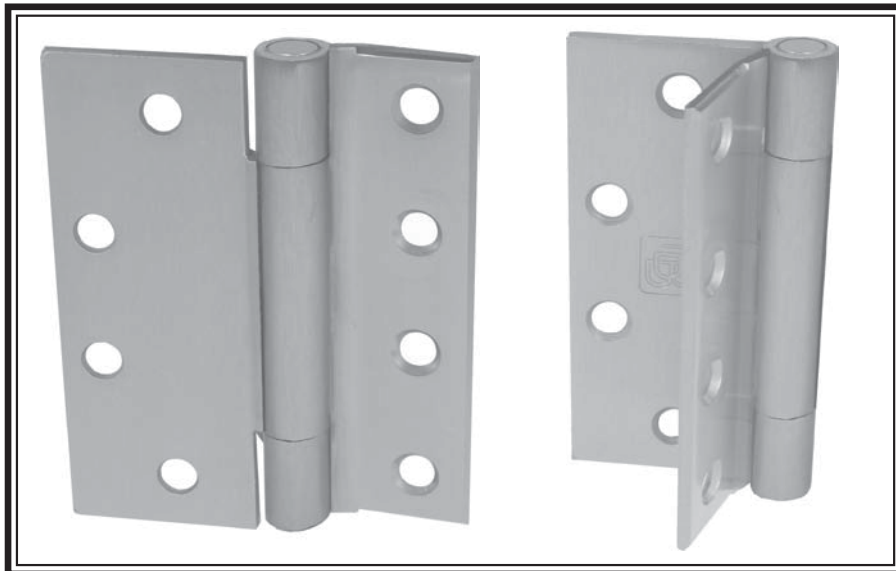
E7



HALF MORTISE TEMPLATE CONCEALED BEARING

HEAVY WEIGHT
5"

E8



GENERAL PRODUCT INFORMATION: PBB, Inc. template hinges are manufactured to close tolerances and meet all specifications and requirements set by the American National Standards Institute (ANSI).

ALL HALF MORTISE HINGES ARE MADE FOR REVERSIBLE APPLICATIONS

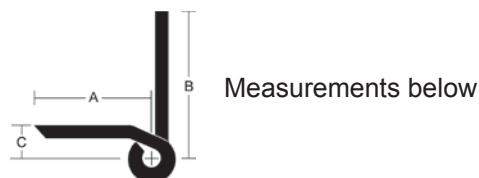
MATERIAL GAUGE: .190 ± .005 for 5"

4C82 (ANSI A8211)
Steel-Polished and Plated or Bonderized and Prime Coated for Painting.

4C22 (ANSI A2211)
Brass-Polished and Plated

4C52 (ANSI A5211)
Stainless Steel-Polished and Satin Finish

- For heavy weight hollow metal doors with channel iron jambs receiving high frequency service.
- For hospital type, add HT to suffix of part number.
- Concealed bearing for trouble free longlife application
- Attractive slim barrel with flush pins and plugs
- All hinges are ANSI template.



OTHER SPECIFICATIONS:

Height of hinge: + .000
5.00 - .015 for 5"

Width:
Jamb Leaf: (A) 1-1/2"
(inches)
Door Leaf: (B) 2-1/8"
(inches)
Offset (C) 1/2"
(inches)

5" STANDARD SCREW SIZE
FHMS - 12-24 x 1/2"
OHMS - 12-24 x 1/2"

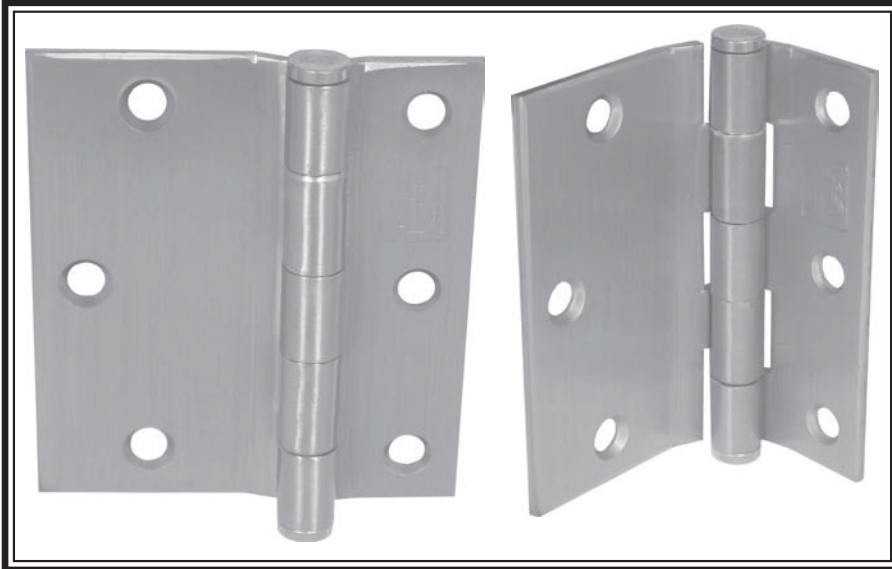
PACKAGING INFORMATION:

One hinge per plastic bag, 3 hinges and 1 screw pack per unit carton.
12 unit carton or 36 hinges per master shipping carton.
1 screw pack includes all machine screws (8).



FULL SURFACE TEMPLATE PLAIN BEARING

STANDARD WEIGHT
4 1/2"



PB83 (ANSI A8333)
Steel-Polished and Plated or Bonderized and Prime Coated for Painting

PB23 (ANSI A2333)
Brass-Polished and Plated

PB53 (ANSI A5333)
Stainless Steel-Polished and Satin Finish

- For medium weight mineral core doors or hollow metal doors with channel iron frames receiving low frequency service.
- For hospital type, add HT to suffix of part number.
- Not for use with door closer.
- All hinges are ANSI template.

F1

GENERAL PRODUCT INFORMATION: PBB, Inc. template hinges are manufactured to close tolerances and meet all specifications and requirements set by the American National Standards Institute (ANSI).



ALL FULL SURFACE HINGES ARE MADE FOR REVERSIBLE APPLICATIONS

MATERIAL GAUGE:
.134 ± .005 for 4-1/2"

OTHER SPECIFICATIONS:

Height of hinge: 4.50 + .000 - .015 for 4-1/2"

Width:

Jamb Leaf: (inches)	(A)	1-1/2"
Door Leaf (inches)	(B)	2-9/16"
Door Leaf Offset (inches)	(C)	9/16"
Jamb Leaf Offset (inches)	(D)	7/16"

4-1/2" STANDARD SCREW SIZE
OHMS - 12 -24 x 1/2"
OHMS - 2" x 1/4-20

PACKAGING INFORMATION:

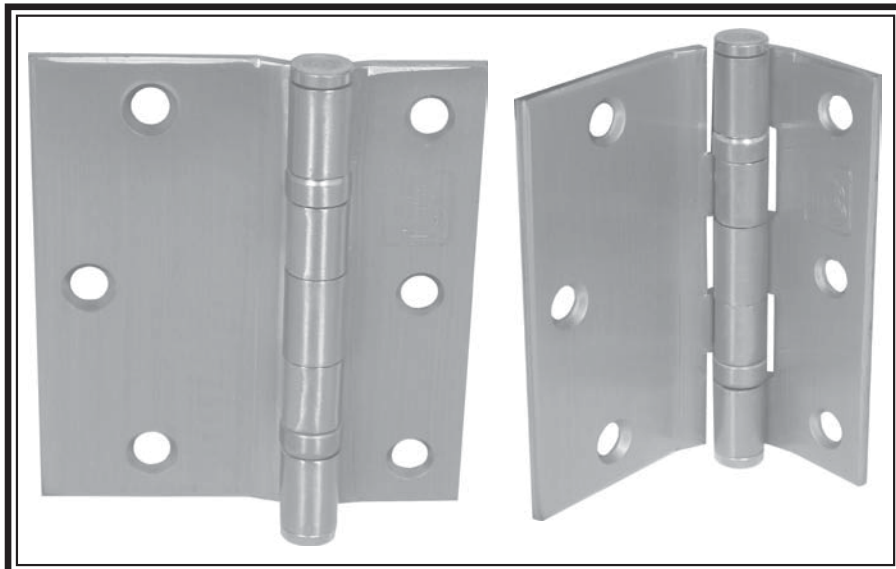
One hinge per plastic bag, 3 hinges and 1 screw pack per unit carton.
12 unit carton or 36 hinges per master shipping carton.
1 screw pack includes all machine screws (6) and grommet nuts for 1-3/4" door.



FULL SURFACE TEMPLATE BALL BEARING

STANDARD WEIGHT
4 1/2"

F2



BB83 (ANSI A8312)
Steel-Polished and Plated or Bonderized and Prime Coated for Painting.

BB23 (ANSI A2312)
Brass-Polished and Plated

BB53 (ANSI A5312)
Stainless Steel-Polished and Satin Finish

- For medium weight mineral core doors or hollow metal doors with channel iron frames receiving average frequency service.
- For hospital type, add HT to suffix of part number.
- Equipped with two lubricated non-detachable ball bearings.
- All hinges are ANSI template.

GENERAL PRODUCT INFORMATION: PBB, Inc. template hinges are manufactured to close tolerances and meet all specifications and requirements set by the American National Standards Institute (ANSI).



Measurements below

ALL FULL SURFACE HINGES ARE MADE FOR REVERSIBLE APPLICATIONS

MATERIAL GAUGE:
.134 ± .005 for 4-1/2"

OTHER SPECIFICATIONS:

Height of hinge:
4.50 + .000
- .015 for 4-1/2"

Width:		
Jamb Leaf:	(A)	1-1/2"
(inches)		
Door Leaf	(B)	2-9/16"
(inches)		
Door Leaf Offset	(C)	9/16"
(inches)		
Jamb Leaf Offset	(D)	7/16"
(inches)		

4-1/2" STANDARD SCREW SIZE
OHMS - 12-24 x 1/2"
OHMS - 2" x 1/4-20

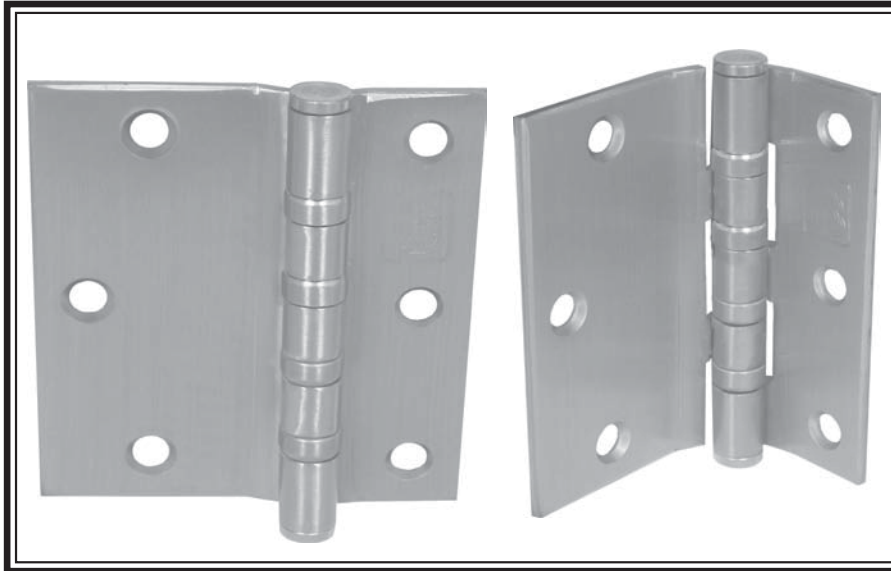
PACKAGING INFORMATION:

One hinge per plastic bag, 3 hinges and 1 screw pack per unit carton.
12 unit carton or 36 hinges per master shipping carton.
1 screw pack includes all machine screws (6) and grommet nuts for 1-3/4" door.



FULL SURFACE TEMPLATE BALL BEARING

HEAVY WEIGHT
4 1/2"



4B83 (ANSI A8311)
Steel-Polished and Plated or Bonderized and Prime Coated for Painting.

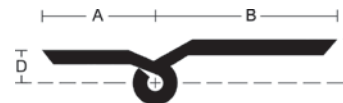
4B23 (ANSI A2311)
Brass-Polished and Plated

4B53 (ANSI A5311)
Stainless Steel-Polished and Satin Finish

- For heavy weight mineral core doors or hollow metal doors with channel iron frames receiving high frequency service.
- For hospital type, add HT to suffix of part number.
- Equipped with four lubricated non-detachable ball bearings.
- All hinges are ANSI template.

F3

GENERAL PRODUCT INFORMATION: PBB, Inc. template hinges are manufactured to close tolerances and meet all specifications and requirements set by the American National Standards Institute (ANSI).



Measurements below

ALL FULL SURFACE HINGES ARE MADE FOR REVERSIBLE APPLICATIONS

MATERIAL GAUGE: .180 ± .005 for 4-1/2"

OTHER SPECIFICATIONS:

Height of hinge: 4.50 + .000 / - .015 for 4-1/2"

Width:			
Jamb Leaf:	(A)		1-1/2"
(inches)			
Door Leaf	(B)		2-9/16"
(inches)			
Door Leaf Offset	(C)		5/8"
(inches)			
Jamb Leaf Offset	(D)		1/2"
(inches)			

4-1/2" STANDARD SCREW SIZE
OHMS - 12-24 x 1/2"
OHMS - 2" x 1/4-20

PACKAGING INFORMATION:

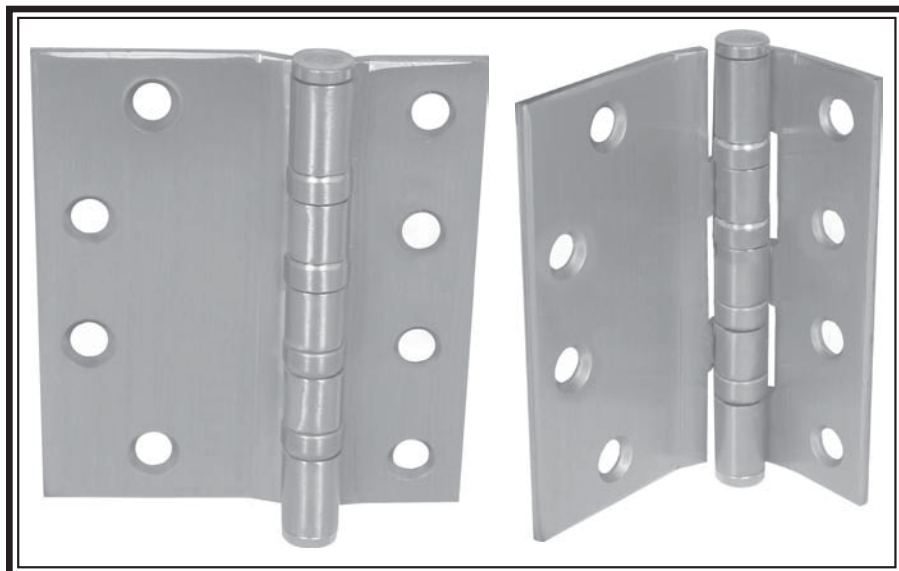
One hinge per plastic bag, 3 hinges and 1 screw pack per unit carton.
12 unit carton or 36 hinges per master shipping carton.
1 screw pack includes all machine screws (6) and grommet nuts for 1-3/4" door.



FULL SURFACE TEMPLATE BALL BEARING

HEAVY WEIGHT
5"

F4



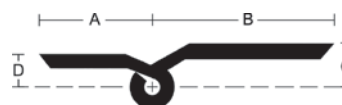
4B83 (ANSI A8311)
Steel-Polished and Plated or Bonderized and Prime Coated for Painting.

4B23 (ANSI A2311)
Brass-Polished and Plated

4B53 (ANSI A5311)
Stainless Steel-Polished and Satin Finish

- For heavy weight mineral core doors or hollow metal doors with channel iron frames receiving high frequency service.
- For hospital type, add HT to suffix of part number.
- Equipped with four lubricated non-detachable ball bearings.
- All hinges are ANSI template.

GENERAL PRODUCT INFORMATION: PBB, Inc. template hinges are manufactured to close tolerances and meet all specifications and requirements set by the American National Standards Institute (ANSI).



Measurements below

ALL FULL SURFACE HINGES ARE MADE FOR REVERSIBLE APPLICATIONS

MATERIAL GAUGE: .190 ± .005 for 5"

OTHER SPECIFICATIONS:

Height of hinge: 5.00 + .000 / - .015 for 5"

Width:		
Jamb Leaf:	(A)	1-1/2"
(inches)		
Door Leaf	(B)	2-7/8"
(inches)		
Door Leaf Offset	(C)	5/8"
(inches)		
Jamb Leaf Offset	(D)	1/2"
(inches)		

5" STANDARD SCREW SIZE
OHMS - 12-24 x 1/2"
OHMS - 2" x 1/4-20

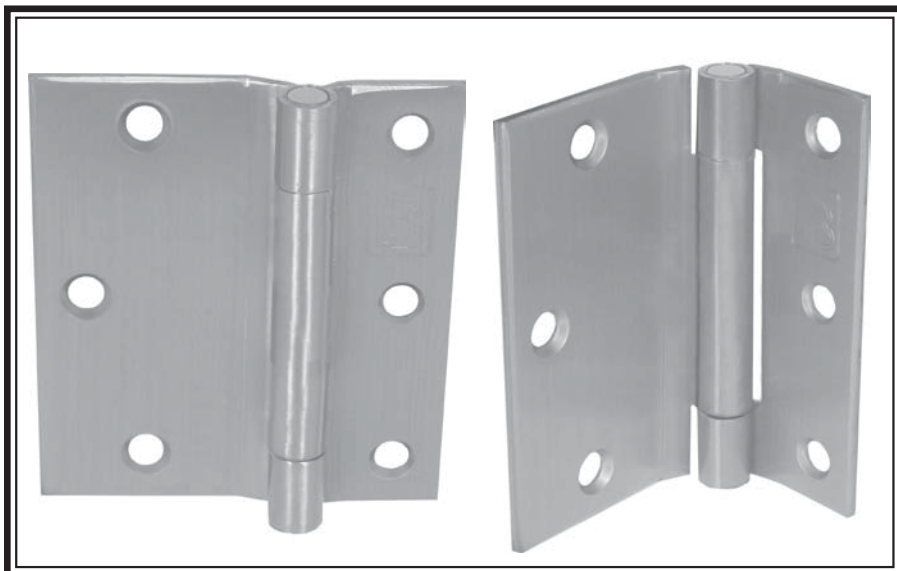
PACKAGING INFORMATION:

One hinge per plastic bag, 3 hinges and 1 screw pack per unit carton.
12 unit carton or 36 hinges per master shipping carton.
1 screw pack includes all machine screws (8) and grommet nuts for 1-3/4" door.



FULL SURFACE TEMPLATE PLAIN BEARING

STANDARD WEIGHT
4 1/2"



CP83 (ANSI A8333)
Steel-Polished and Plated or Bonderized and Prime Coated for Painting.

CP23 (ANSI A2333)
Brass-Polished and Plated

CP53 (ANSI A5333)
Stainless Steel-Polished and Satin Finish

- For medium weight mineral core doors or hollow metal doors with channel iron frames receiving average frequency service.
- For hospital type, add HT to suffix of part number.
- Equipped with two lubricated non-detachable ball bearings.
- All hinges are ANSI template.

F5

GENERAL PRODUCT INFORMATION: PBB, Inc. template hinges are manufactured to close tolerances and meet all specifications and requirements set by the American National Standards Institute (ANSI).



Measurements below

ALL FULL SURFACE HINGES ARE MADE FOR REVERSIBLE APPLICATIONS

MATERIAL GAUGE: .134 ± .005 for 4-1/2"

OTHER SPECIFICATIONS:

Height of hinge: 4.50 + .000 / - .015 for 4-1/2"

Width:		
Jamb Leaf:	(A)	1-1/2"
(inches)		
Door Leaf	(B)	2-9/16"
(inches)		
Door Leaf Offset	(C)	9/16"
(inches)		
Jamb Leaf Offset	(D)	7/16"
(inches)		

4-1/2" STANDARD SCREW SIZE
OHMS - 12-24 x 1/2"
OHMS - 2" x 1/4-20

PACKAGING INFORMATION:

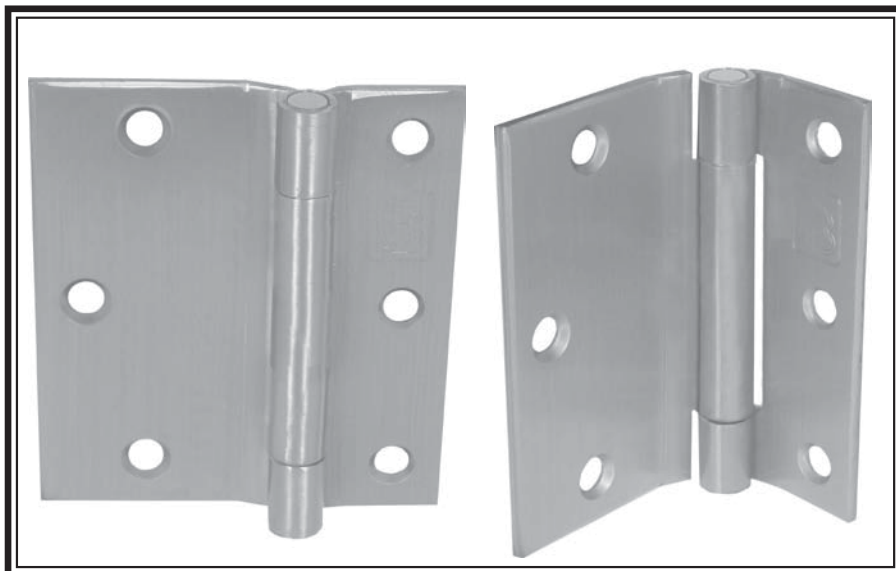
One hinge per plastic bag, 3 hinges and 1 screw pack per unit carton.
12 unit carton or 36 hinges per master shipping carton.
1 screw pack includes all machine screws (6) and grommet nuts for 1-3/4" door.



FULL SURFACE TEMPLATE CONCEALED BEARING

STANDARD WEIGHT
4 1/2"

F6



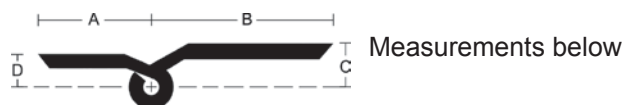
CB83 (ANSI A8312)
Steel-Polished and Plated or Bonderized and Prime Coated for Painting.

CB23 (ANSI A2312)
Brass-Polished and Plated

CB53 (ANSI A5312)
Stainless Steel-Polished and Satin Finish

- For medium weight mineral core doors or hollow metal doors with channel iron frames receiving average frequency service.
- For hospital type, add HT to suffix of part number.
- Equipped with two lubricated non-detachable ball bearings.
- All hinges are ANSI template.

GENERAL PRODUCT INFORMATION: PBB, Inc. template hinges are manufactured to close tolerances and meet all specifications and requirements set by the American National Standards Institute (ANSI).



ALL FULL SURFACE HINGES ARE MADE FOR REVERSIBLE APPLICATIONS

MATERIAL GAUGE:
.134 ± .005 for 4-1/2"

OTHER SPECIFICATIONS:

Height of hinge: 4.50 + .000 / - .015 for 4-1/2"

Width:

Jamb Leaf: (inches)	(A)	1-1/2"
Door Leaf (inches)	(B)	2-9/16"
Door Leaf Offset (inches)	(C)	9/16"
Jamb Leaf Offset (inches)	(D)	7/16"

4-1/2" STANDARD SCREW SIZE
OHMS - 12-24 x 1/2"
OHMS - 2" x 1/4-20

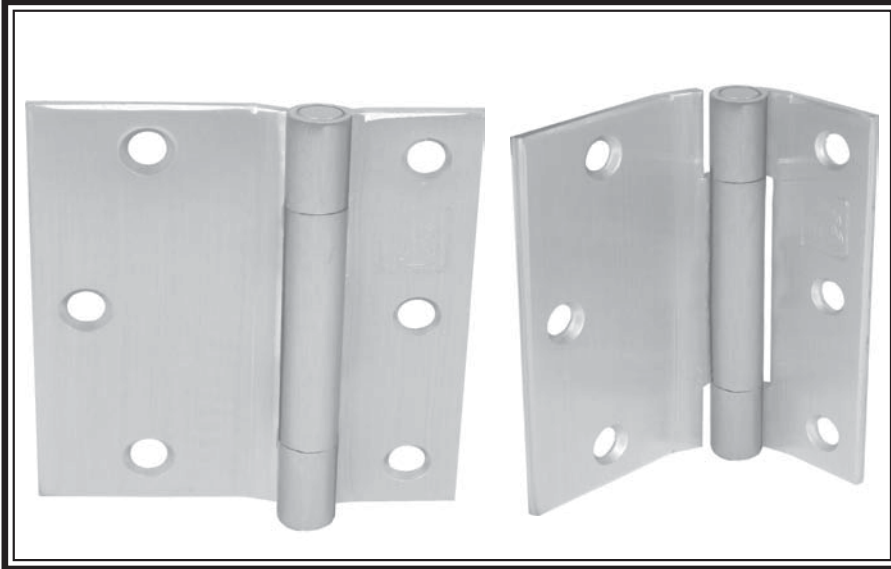
PACKAGING INFORMATION:

One hinge per plastic bag, 3 hinges and 1 screw pack per unit carton.
12 unit carton or 36 hinges per master shipping carton.
1 screw pack includes all machine screws (6) and grommet nuts for 1-3/4" door.



FULL SURFACE TEMPLATE CONCEALED BEARING

HEAVY WEIGHT
4 1/2"



4C83 (ANSI A8311)
Steel-Polished and Plated or Bonderized and Prime Coated for Painting.

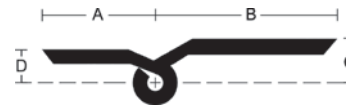
4C23 (ANSI A2311)
Brass-Polished and Plated

4C53 (ANSI A5311)
Stainless Steel-Polished and Satin Finish

- For heavy weight mineral core doors or hollow metal doors with channel iron frames receiving high frequency service.
- For hospital type, add HT to suffix of part number.
- Concealed bearing for trouble free long life application.
- Attractive slim barrel with flush pins and plugs
- All hinges are ANSI template.

F7

GENERAL PRODUCT INFORMATION: PBB, Inc. template hinges are manufactured to close tolerances and meet all specifications and requirements set by the American National Standards Institute (ANSI).



Measurements below

ALL FULL SURFACE HINGES ARE MADE FOR REVERSIBLE APPLICATIONS

MATERIAL GAUGE: .180 ± .005 for 4-1/2"

OTHER SPECIFICATIONS:

Height of hinge: 4.50 ^{+ .000} / _{-.015} for 4-1/2"

Width:		
Jamb Leaf:	(A)	1-1/2"
(inches)		
Door Leaf	(B)	2-9/16"
(inches)		
Door Leaf Offset	(C)	5/8"
(inches)		
Jamb Leaf Offset	(D)	1/2"
(inches)		

4-1/2" STANDARD SCREW SIZE
OHMS - 12-24 x 1/2"
OHMS - 2" x 1/4-20

PACKAGING INFORMATION:

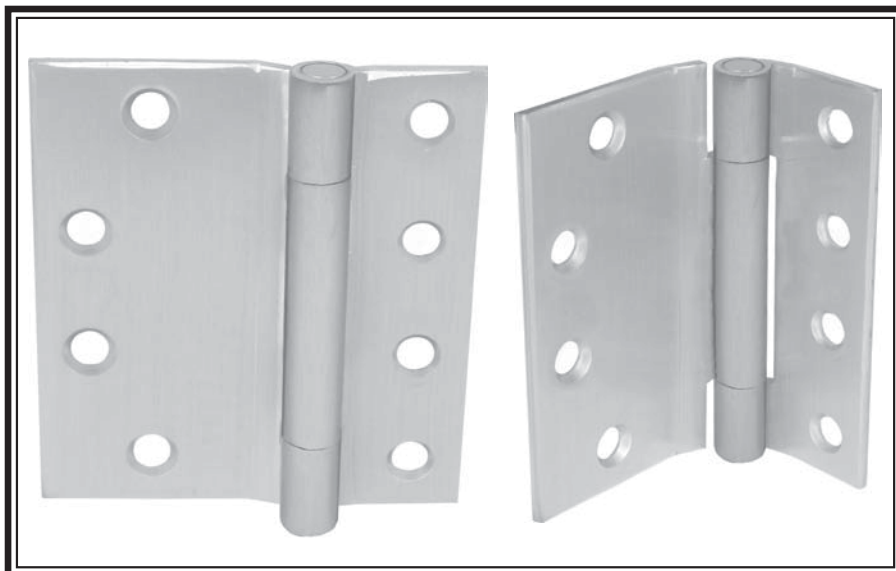
One hinge per plastic bag, 3 hinges and 1 screw pack per unit carton.
12 unit carton or 36 hinges per master shipping carton.
1 screw pack includes all machine screws (6) and grommet nuts for 1-3/4" door.



FULL SURFACE TEMPLATE CONCEALED BEARING

HEAVY WEIGHT
5"

F8



4C83 (ANSI A8311)
Steel-Polished and Plated or Bonderized and Prime Coated for Painting.

4C23 (ANSI A2311)
Brass-Polished and Plated

4C53 (ANSI A5311)
Stainless Steel-Polished and Satin Finish

- For heavy weight mineral core doors or hollow metal doors with channel iron frames receiving high frequency service.
- For hospital type, add HT to suffix of part number.
- Concealed bearing for trouble free long life application.
- Attractive slim barrel with flush pins and plugs
- All hinges are ANSI template.

GENERAL PRODUCT INFORMATION: PBB, Inc. template hinges are manufactured to close tolerances and meet all specifications and requirements set by the American National Standards Institute (ANSI).



Measurements below

ALL FULL SURFACE HINGES ARE MADE FOR REVERSIBLE APPLICATIONS

MATERIAL GAUGE: .190 ± .005 for 5"

OTHER SPECIFICATIONS:

Height of hinge: 5.00 + .000 / - .015 for 5"

Width:		
Jamb Leaf:	(A)	1-1/2"
(inches)		
Door Leaf	(B)	2-7/8"
(inches)		
Door Leaf Offset	(C)	5/8"
(inches)		
Jamb Leaf Offset	(D)	1/2"
(inches)		

5" STANDARD SCREW SIZE
OHMS - 12-24 x 1/2"
OHMS - 2" x 1/4-20

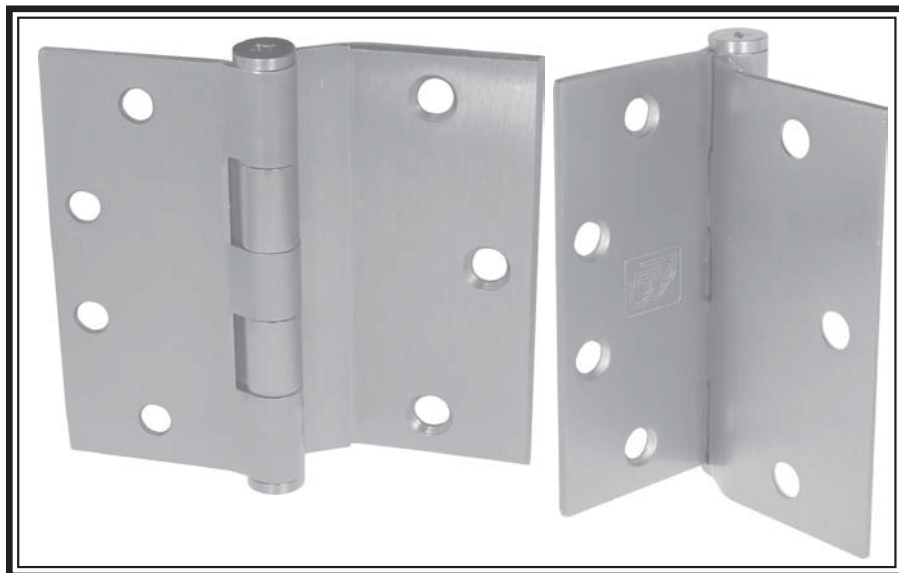
PACKAGING INFORMATION:

One hinge per plastic bag, 3 hinges and 1 screw pack per unit carton.
12 unit carton or 36 hinges per master shipping carton.
1 screw pack includes all machine screws (8) and grommet nuts for 1-3/4" door.



HALF SURFACE TEMPLATE PLAIN BEARING

STANDARD WEIGHT
4 1/2"



PB84 (ANSI A8433)
Steel-Polished and Plated or Bonderized and Prime Coated for Painting

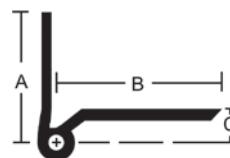
PB24 (ANSI A2433)
Brass-Polished and Plated

PB54 (ANSI A5433)
Stainless Steel-Polished and Satin Finish

- For medium weight mineral core doors or hollow metal doors with channel iron frames receiving low frequency service.
- For hospital type, add HT to suffix of part number.
- Not for use with door closer.
- All hinges are ANSI template.

G1

GENERAL PRODUCT INFORMATION: PBB, Inc. template hinges are manufactured to close tolerances and meet all specifications and requirements set by the American National Standards Institute (ANSI).



Measurements below

ALL HALF SURFACE HINGES ARE MADE FOR REVERSIBLE APPLICATIONS

MATERIAL GAUGE: .134 ± .005 for 4-1/2"

OTHER SPECIFICATIONS:

Height of hinge: 4.50 + .000 / - .015 for 4-1/2"

Width:
 Jamb Leaf: (A) 2-1/16"
 (inches)
 Door Leaf (B) 2-9/16"
 (inches)
 Offset (C) 9/16"
 (inches)

4-1/2" STANDARD SCREW SIZE
FHMS - 12-24 x 1/2" OHMS - 2" x 1/4-20

PACKAGING INFORMATION:

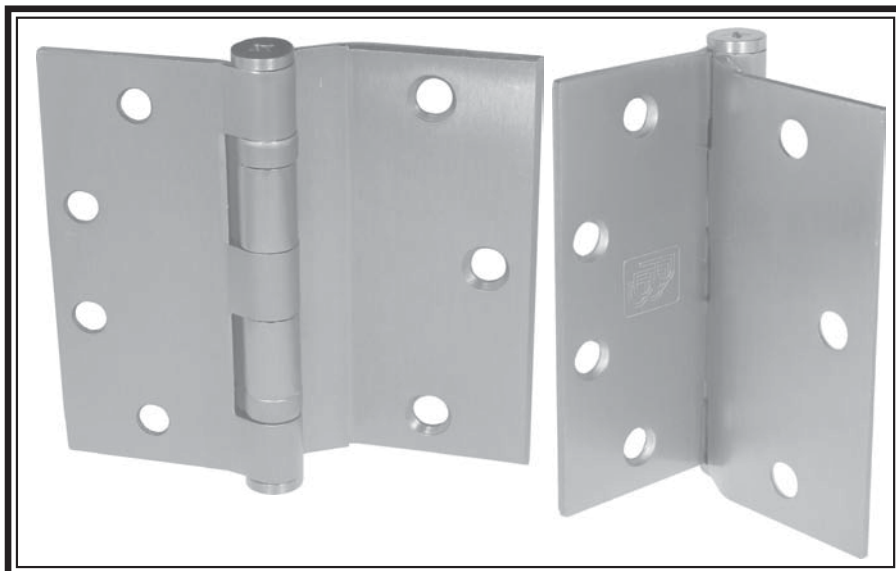
One hinge per plastic bag, 3 hinges and 1 screw pack per unit carton.
 12 unit carton or 36 hinges per master shipping carton.
 1 screw pack includes all machine screws (7), and grommet nuts for 1-3/4" door.



HALF SURFACE TEMPLATE BALL BEARING

STANDARD WEIGHT
4 1/2"

G2



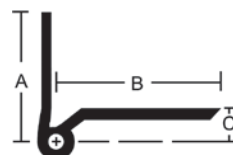
BB84 (ANSI A8412)
Steel-Polished and Plated or Bonderized and Prime Coated for Painting.

BB24 (ANSI A2412)
Brass-Polished and Plated

BB54 (ANSI A5412)
Stainless Steel-Polished and Satin Finish

- For medium weight mineral core doors or hollow metal doors with channel iron frames receiving average frequency service.
- For hospital type, add HT to suffix of part number.
- Equipped with two lubricated non-detachable ball bearings.
- All hinges are ANSI template.

GENERAL PRODUCT INFORMATION: PBB, Inc. template hinges are manufactured to close tolerances and meet all specifications and requirements set by the American National Standards Institute (ANSI).



Measurements below

ALL HALF SURFACE HINGES ARE MADE FOR REVERSIBLE APPLICATIONS

MATERIAL GAUGE:
.134 ± .005 for 4-1/2"

OTHER SPECIFICATIONS:

Height of hinge:
4.50 + .000
- .015 for 4-1/2"

Width:
Jamb Leaf: (A) 2-1/16"
(inches)
Door Leaf (B) 2-9/16"
(inches)
Offset (C) 9/16"
(inches)

4-1/2" STANDARD SCREW SIZE
FHMS - 12-24 x 1/2"
OHMS - 2" x 1/4-20

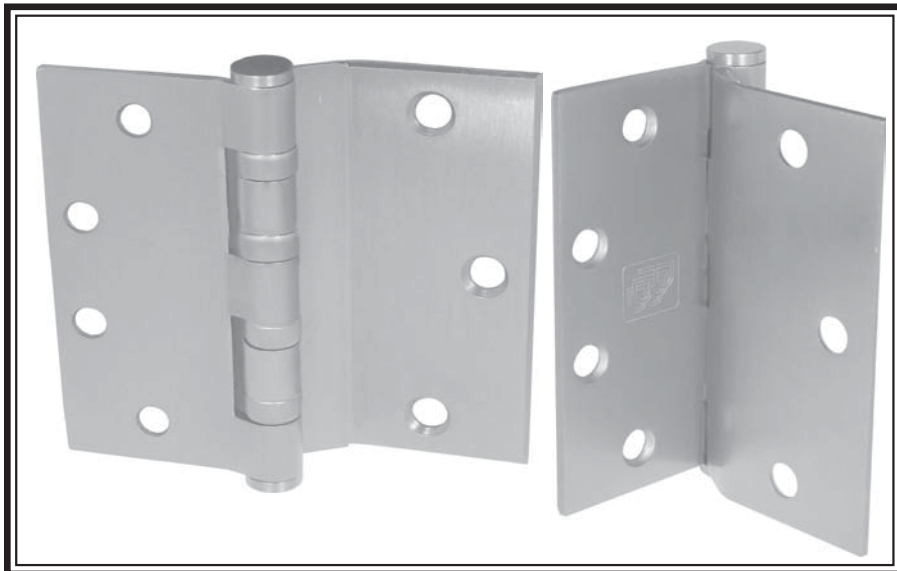
PACKAGING INFORMATION:

One hinge per plastic bag, 3 hinges and 1 screw pack per unit carton.
12 unit carton or 36 hinges per master shipping carton.
1 screw pack includes all machine screws (7), and grommet nuts for 1-3/4" door.



HALF SURFACE TEMPLATE BALL BEARING

HEAVY WEIGHT
4 1/2"



4B84 (ANSI A8411)
Steel-Polished and Plated or Bonderized and Prime Coated for Painting.

4B24 (ANSI A2411)
Brass-Polished and Plated

4B54 (ANSI A5411)
Stainless Steel-Polished and Satin Finish

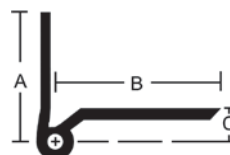
- For heavy weight mineral core doors or hollow metal doors with channel iron frames receiving high frequency service.
- For hospital type, add HT to suffix of part number.
- Equipped with four lubricated non-detachable ball bearings.
- All hinges are ANSI template.

G3

GENERAL PRODUCT INFORMATION: PBB, Inc. template hinges are manufactured to close tolerances and meet all specifications and requirements set by the American National Standards Institute (ANSI).

ALL HALF SURFACE HINGES ARE MADE FOR REVERSIBLE APPLICATIONS

MATERIAL GAUGE: .180 ± .005 for 4-1/2"



Measurements below

OTHER SPECIFICATIONS:

Height of hinge: 4.50 + .000 / - .015 for 4-1/2"

Width:
 Jamb Leaf: (A) 2-1/8"
 (inches)
 Door Leaf: (B) 2-9/16"
 (inches)
 Offset: (C) 5/8"
 (inches)

4-1/2" STANDARD SCREW SIZE
FHMS - 12-24 x 1/2"
OHMS - 2" x 1/4-20

PACKAGING INFORMATION:

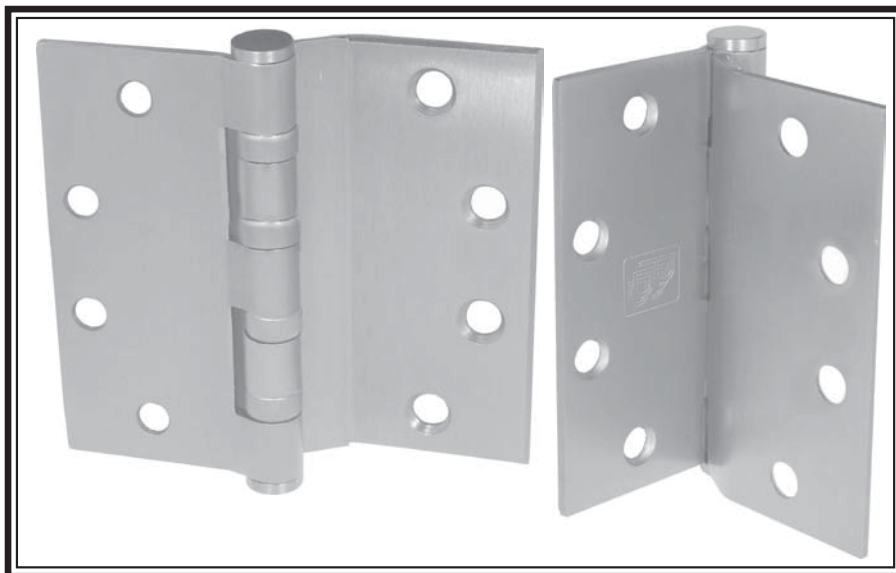
One hinge per plastic bag, 3 hinges and 1 screw pack per unit carton.
 12 unit carton or 36 hinges per master shipping carton.
 1 screw pack includes all machine screws (7) and grommet nuts for 1-3/4" door.



HALF SURFACE TEMPLATE BALL BEARING

HEAVY WEIGHT
5"

G4



4B84 (ANSI A8411)
Steel-Polished and Plated or Bonderized and Prime Coated for Painting.

4B24 (ANSI A2411)
Brass-Polished and Plated

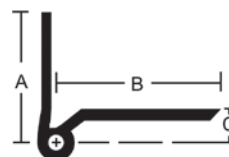
4B54 (ANSI A5411)
Stainless Steel-Polished and Satin Finish

- For heavy weight mineral core doors or hollow metal doors with channel iron frames receiving high frequency service.
- For hospital type, add HT to suffix of part number.
- Equipped with four lubricated non-detachable ball bearings.
- All hinges are ANSI template.

GENERAL PRODUCT INFORMATION: PBB, Inc. template hinges are manufactured to close tolerances and meet all specifications and requirements set by the American National Standards Institute (ANSI).

ALL HALF SURFACE HINGES ARE MADE FOR REVERSIBLE APPLICATIONS

MATERIAL GAUGE: .190 ± .005 for 5"



Measurements below

OTHER SPECIFICATIONS:

Height of hinge: 5.00 ^{+ .000} / _{-.015} for 5"

Width:
 Jamb Leaf: (A) 2-1/8"
 (inches)
 Door Leaf: (B) 2-7/8"
 (inches)
 Offset: (C) 5/8"
 (inches)

5" STANDARD SCREW SIZE
FHMS - 12-24 x 1/2" OHMS - 2" x 1/4-20

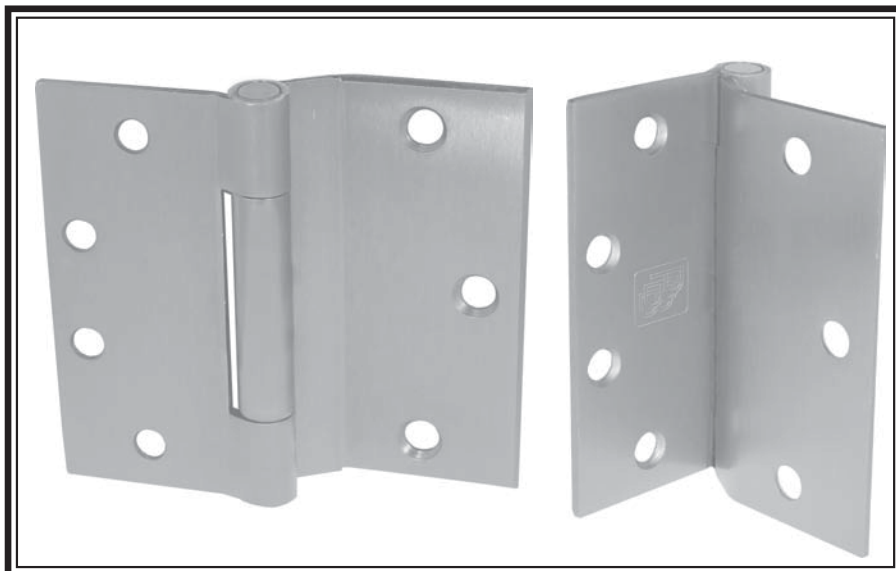
PACKAGING INFORMATION:

One hinge per plastic bag, 3 hinges and 1 screw pack per unit carton.
 12 unit carton or 36 hinges per master shipping carton.
 1 screw pack includes all machine screws (8) and grommet nuts for 1-3/4" door.



HALF SURFACE TEMPLATE PLAIN BEARING

STANDARD WEIGHT
4 1/2"



CP84 (ANSI A8433)
Steel-Polished and Plated or Bonderized and Prime Coated for Painting.

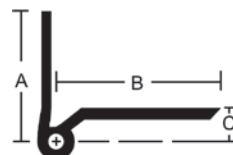
CP24 (ANSI A2433)
Brass-Polished and Plated

CP54 (ANSI A5433)
Stainless Steel-Polished and Satin Finish

- For medium weight mineral core doors or hollow metal doors with channel iron frames receiving average frequency service.
- For hospital type, add HT to suffix of part number.
- Equipped with two lubricated non-detachable ball bearings.
- All hinges are ANSI template.

G5

GENERAL PRODUCT INFORMATION: PBB, Inc. template hinges are manufactured to close tolerances and meet all specifications and requirements set by the American National Standards Institute (ANSI).



Measurements below

ALL HALF SURFACE HINGES ARE MADE FOR REVERSIBLE APPLICATIONS

MATERIAL GAUGE: .134 ± .005 for 4-1/2"

OTHER SPECIFICATIONS:

Height of hinge: 4.50 for 4-1/2"

Width:
Jamb Leaf: (A) 2-1/16"
(inches)
Door Leaf: (B) 2-9/16"
(inches)
Offset: (C) 9/16"
(inches)

4-1/2" STANDARD SCREW SIZE
FHMS - 12-24 x 1/2"
OHMS - 2" x 1/4-20

PACKAGING INFORMATION:

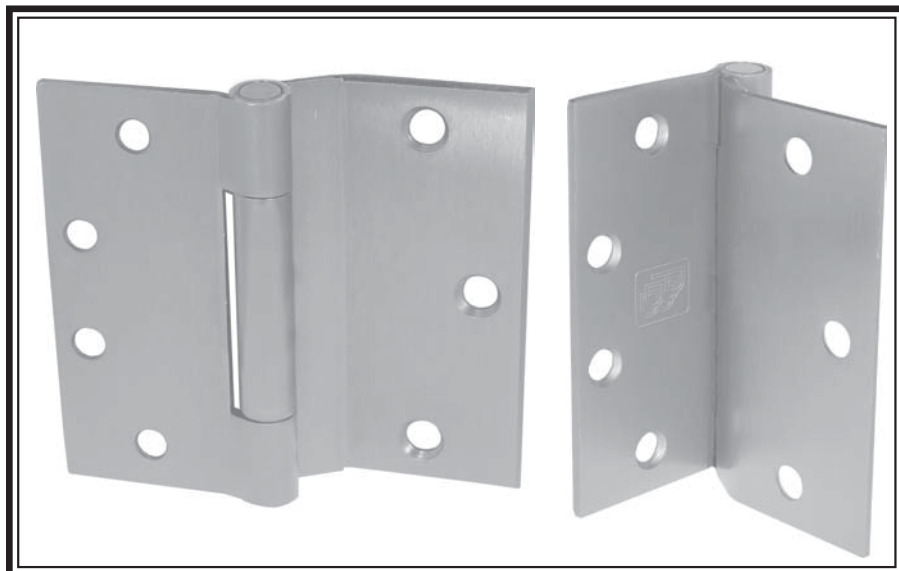
One hinge per plastic bag, 3 hinges and 1 screw pack per unit carton.
12 unit carton or 36 hinges per master shipping carton.
1 screw pack includes all machine screws (7), and grommet nuts for 1-3/4" door.



HALF SURFACE TEMPLATE CONCEALED BEARING

STANDARD WEIGHT
4 1/2"

G6



CB84 (ANSI A8412)
Steel-Polished and Plated or Bonderized and Prime Coated for Painting.

CB24 (ANSI A2412)
Brass-Polished and Plated

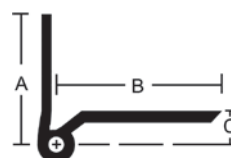
CB54 (ANSI A5412)
Stainless Steel-Polished and Satin Finish

- For medium weight mineral core doors or hollow metal doors with channel iron frames receiving average frequency service.
- For hospital type, add HT to suffix of part number.
- Equipped with two lubricated non-detachable ball bearings.
- All hinges are ANSI template.

GENERAL PRODUCT INFORMATION: PBB, Inc. template hinges are manufactured to close tolerances and meet all specifications and requirements set by the American National Standards Institute (ANSI).

ALL HALF SURFACE HINGES ARE MADE FOR REVERSIBLE APPLICATIONS

MATERIAL GAUGE: .134 ± .005 for 4-1/2"



Measurements below

OTHER SPECIFICATIONS:

Height of hinge:	4.50	for 4-1/2"
Width:		
Jamb Leaf: (inches)	(A)	2-1/16"
Door Leaf (inches)	(B)	2-9/16"
Offset (inches)	(C)	9/16"

4-1/2" STANDARD SCREW SIZE
FHMS - 12-24 x 1/2"
OHMS - 2" x 1/4-20

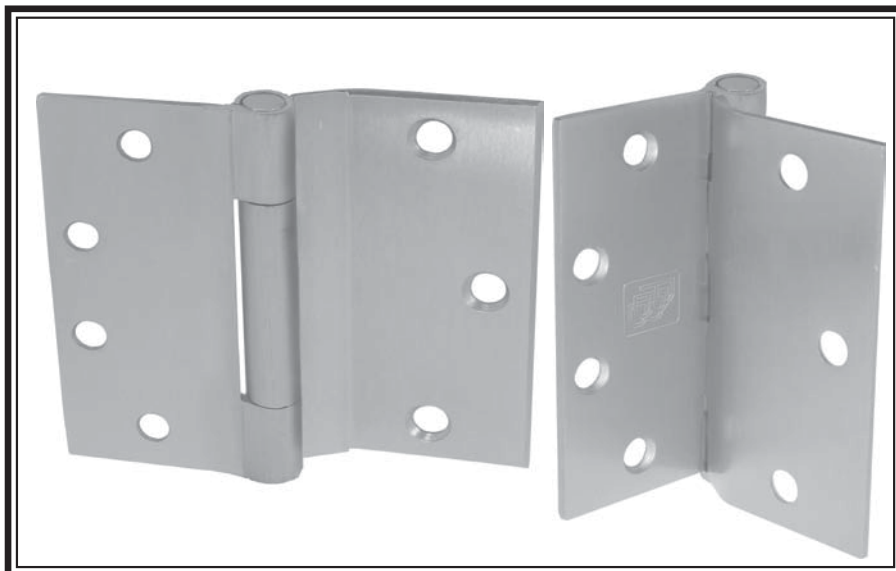
PACKAGING INFORMATION:

One hinge per plastic bag, 3 hinges and 1 screw pack per unit carton.
12 unit carton or 36 hinges per master shipping carton.
1 screw pack includes all machine screws (7), and grommet nuts for 1-3/4" door.



HALF SURFACE TEMPLATE CONCEALED BEARING

HEAVY WEIGHT
4 1/2"



4C84 (ANSI A8411)
Steel-Polished and Plated or Bonderized and Prime Coated for Painting.

4C24 (ANSI A2411)
Brass-Polished and Plated

4C54 (ANSI A5411)
Stainless Steel-Polished and Satin Finish

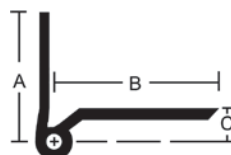
- For heavy weight mineral core doors or hollow metal doors with channel iron frames receiving high frequency service.
- For hospital type, add HT to suffix of part number.
- Concealed bearing for trouble free long life application
- Attractive slim barrel with flush pins and plugs
- All hinges are ANSI template.

G7

GENERAL PRODUCT INFORMATION: PBB, Inc. template hinges are manufactured to close tolerances and meet all specifications and requirements set by the American National Standards Institute (ANSI).

ALL HALF SURFACE HINGES ARE MADE FOR REVERSIBLE APPLICATIONS

MATERIAL GAUGE:
.180 ± .005 for 4-1/2"



Measurements below

OTHER SPECIFICATIONS:

Height of hinge:
4.50 + .000
- .015 for 4-1/2"

Width:
Jamb Leaf: (A) 2-1/8"
(inches)
Door Leaf (B) 2-9/16"
(inches)
Offset (C) 5/8"
(inches)

4-1/2" STANDARD SCREW SIZE
FHMS - 12-24 x 1/2"
OHMS - 2" x 1/4-20

PACKAGING INFORMATION:

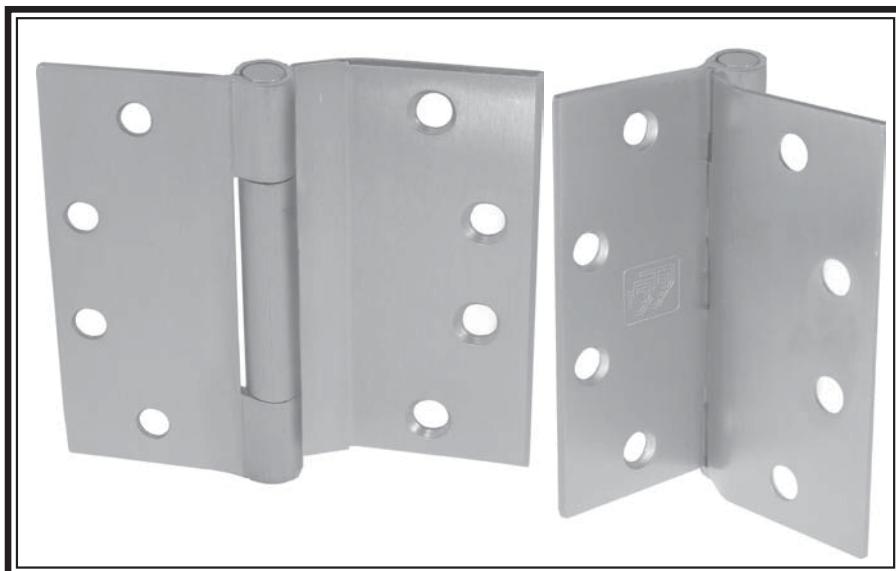
One hinge per plastic bag, 3 hinges and 1 screw pack per unit carton.
12 unit carton or 36 hinges per master shipping carton.
1 screw pack includes all machine screws (7) and grommet nuts for 1-3/4" door.



HALF SURFACE TEMPLATE CONCEALED BEARING

HEAVY WEIGHT
5"

G3



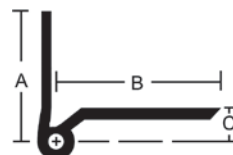
4C84 (ANSI A8411)
Steel-Polished and Plated or Bonderized and Prime Coated for Painting.

4C24 (ANSI A2411)
Brass-Polished and Plated

4C54 (ANSI A5411)
Stainless Steel-Polished and Satin Finish

- For heavy weight mineral core doors or hollow metal doors with channel iron frames receiving high frequency service.
- For hospital type, add HT to suffix of part number.
- Concealed bearing for trouble free long life application
- Attractive slim barrel with flush pins and plugs
- All hinges are ANSI template.

GENERAL PRODUCT INFORMATION: PBB, Inc. template hinges are manufactured to close tolerances and meet all specifications and requirements set by the American National Standards Institute (ANSI).



Measurements below

ALL HALF SURFACE HINGES ARE MADE FOR REVERSIBLE APPLICATIONS

MATERIAL GAUGE:
.190 ± .005 for 5"

OTHER SPECIFICATIONS:

Height of hinge:
5.00 + .000
- .015 for 5"

Width:
Jamb Leaf: (A) 2-1/8"
(inches)
Door Leaf (B) 2-7/8"
(inches)
Offset (C) 5/8"
(inches)

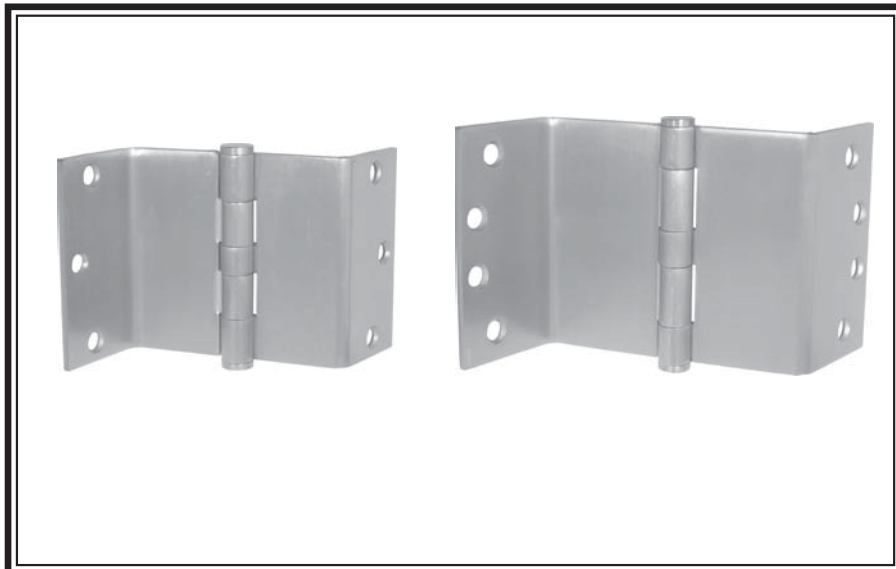
5" STANDARD SCREW SIZE
FHMS - 12-24 x 1/2"
OHMS - 2" x 1/4-20

PACKAGING INFORMATION:

One hinge per plastic bag, 3 hinges and 1 screw pack per unit carton.
12 unit carton or 36 hinges per master shipping carton.
1 screw pack includes all machine screws (8) and grommet nuts for 1-3/4" door.



SWING CLEAR FULL MORTISE TEMPLATE PLAIN BEARING
STANDARD WEIGHT
3 1/2" - 4"



SCP81 (ANSI A8123)
Steel-Polished and Plated or Bonderized and Prime Coated for Painting.

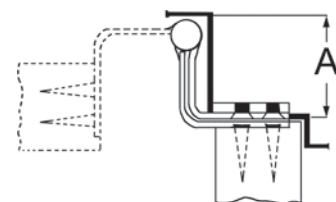
SCP51 (ANSI A5123)
Stainless Steel-Polished and Satin Finish

H1

- Designed to swing doors completely clear of the opening when door is opened 95° door projects 3/32" past stop of jamb.
- All swing clear hinges are made for reversible applications.
- For hospital type, add HT to suffix of part number.
- For use on medium weight doors requiring low frequency service.
- Recommended for 34" x 7'0" x 1-3/8" door not to exceed 80 lbs.
- All hinges are ANSI template.

GENERAL PRODUCT INFORMATION: PBB, Inc. template hinges are manufactured to close tolerances and meet all specifications and requirements set by the American National Standards Institute (ANSI).

For use in hospitals, institutional or commercial type buildings for barrier-free environment. Wherever doors are required to meet barrier-free codes (ADA) or are required to swing completely clear of the openings so that wide equipment can pass through without damaging doors, frames or equipment, reducing opening maintenance.



OTHER SPECIFICATIONS:

Height of hinge:	+ .000	
	3.50 - .015	for 3-1/2"
	+ .000	
	4.00 - .015	for 4"
Width:		
	3.50 ± .015	for 3-1/2"
	4.00 ± .015	for 4"

Minimum Clearance Required
 Dimension "A" (inches) 2-1/8" for 3-1/2"
 2-1/2" for 4"



MATERIAL GAUGE:

.123 ± .005 for 3-1/2"
 .130 ± .005 for 4"

3-1/2" STANDARD SCREW SIZE
FHMS - 10-24 x 1/2" FHWS - 10 x 1"

4" STANDARD SCREW SIZE
FHMS - 12-24 x 1/2" FHWS - 12 x 1-1/4"

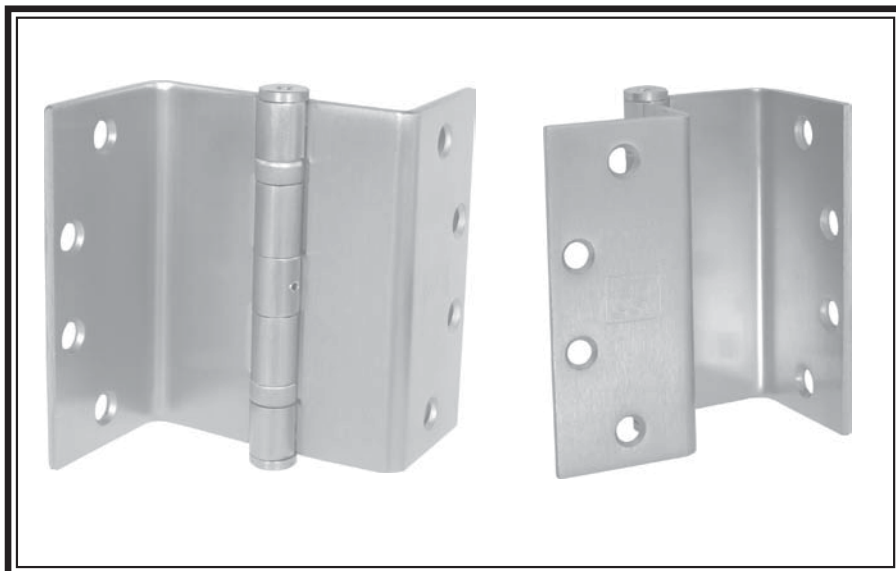
PACKAGING INFORMATION:

One hinge per plastic bag, 3 hinges and 1 screw pack per unit carton.
 12 unit carton or 36 hinges per master shipping carton.
 1 screw pack includes all machine screws (24), and 1/2 wood screws (12). ATMS & AWS also available.
 For 3-1/2 x 3-1/2, 1 screw pack includes (18) machine screws and (18) wood screws.



SWING CLEAR FULL MORTISE TEMPLATE BALL BEARING
STANDARD WEIGHT
4 1/2"

H2



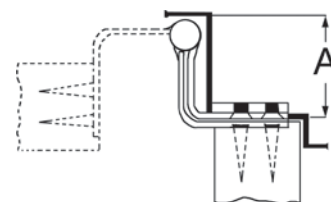
SCBB81 (ANSI A8122)
Steel-Polished and Plated or Bonderized and Prime Coated for Painting.

SCBB51 (ANSI A5122)
Stainless Steel-Polished and Satin Finish

- All swing clear hinges are made for reversible applications.
- Designed to swing doors completely clear of the opening when door is opened 95°.
- When opened 90° door projects 3/32" past stop of jamb.
- Recommended for 3'0" x 7'0" x 1-3/4" doors not to exceed 150 lbs.
- For medium weight doors receiving average frequency service.
- For hospital type, add HT to suffix of part number.
- All hinges are ANSI template.

GENERAL PRODUCT INFORMATION: PBB, Inc. template hinges are manufactured to close tolerances and meet all specifications and requirements set by the American National Standards Institute (ANSI).

For use in hospitals, institutional or commercial type buildings for barrier-free environment. Wherever doors are required to meet barrier-free codes (ADA) or are required to swing completely clear of the openings so that wide equipment can pass through without damaging doors, frames or equipment, reducing opening maintenance.



OTHER SPECIFICATIONS:

Height of hinge:
 4.50 + .000 for 4-1/2"
 - .015

Minimum Clearance Required
 Dimension "A" (inches) 2-1/8"

***NOTE: Specify square or beveled when ordering product.**

MATERIAL GAUGE:

.134 ± .005 for 4-1/2"

4-1/2" STANDARD SCREW SIZE
FHMS - 12-24 x 1/2"
FHWS - 12 x 1-1/4"

PACKAGING INFORMATION:

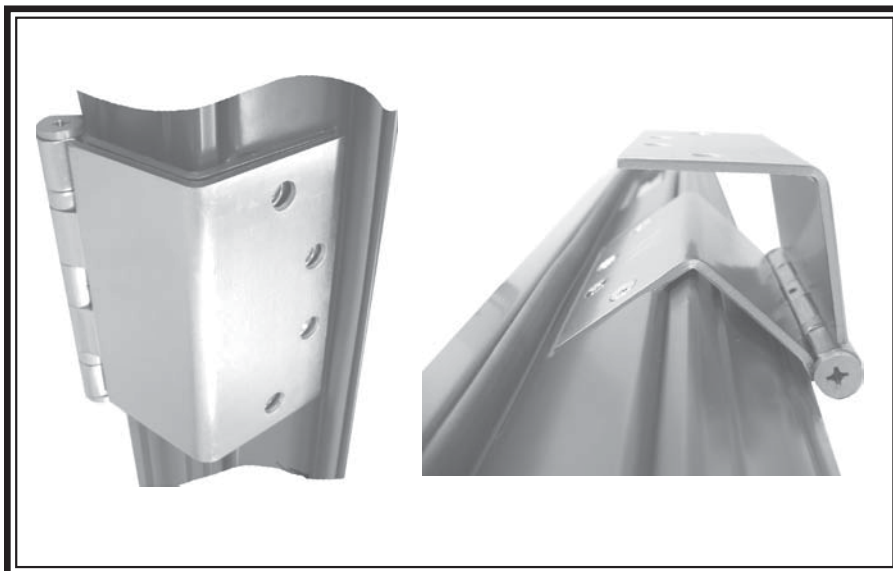
One hinge per plastic bag, 3 hinges and 1 screw pack per unit carton.
 12 unit carton or 36 hinges per master shipping carton.
 1 screw pack includes all machine screws (24), and 1/2 wood screws (12). ATMS & AWS also available.





FOR TIMELY/REDIFRAME INSTALLATIONS
SWING CLEAR FULL MORTISE TEMPLATE BALL BEARING

STANDARD WEIGHT
4 1/2"



SCBB81 (ANSI A8122)
Steel-Polished and Plated or Bonderized and Prime Coated for Painting.

SCBB51 (ANSI A5122)
Stainless Steel-Polished and Satin Finish

H3

- All swing clear hinges are made for reversible applications.
- Designed to swing doors completely clear of the opening when door is opened 95°.
- When opened 90° door projects 3/32" past stop of jamb.
- Recommended for 3'0" x 7'0" x 1-3/4" doors not to exceed 150 lbs.
- For medium weight doors receiving average frequency service.
- For hospital type, add HT to suffix of part number.
- All hinges are ANSI template.

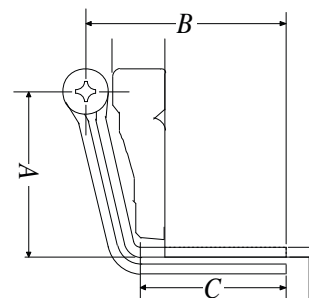
GENERAL PRODUCT INFORMATION: PBB, Inc. template hinges are manufactured to close tolerances and meet all specifications and requirements set by the American National Standards Institute (ANSI).

For use in hospitals, institutional or commercial type buildings for barrier-free environment. Wherever doors are required to meet barrier-free codes (ADA) or are required to swing completely clear of the openings so that wide equipment can pass through without damaging doors, frames or equipment, reducing opening maintenance.

THIS SPECIAL MODEL OF SWING CLEAR HINGE IS MADE TO SPECIFICALLY FIT TIMELY OR REDIFRAME TRIM CASING APPLICATIONS.

MATERIAL GAUGE:
 .134 ± .005 for 4-1/2"

4-1/2" STANDARD SCREW SIZE
FHMS - 12-24 x 1/2"
FHWS - 12 x 1-1/4"



OTHER SPECIFICATIONS:

Height of hinge: + .000
 4.50 - .015 for 4-1/2"

Minimum Clearance Required
 Dimension "A" (inches) 2-3/16"
 Dimension "B" (inches) 2-21/32"
 Dimension "C" (inches) 2-15/16"

PACKAGING INFORMATION:

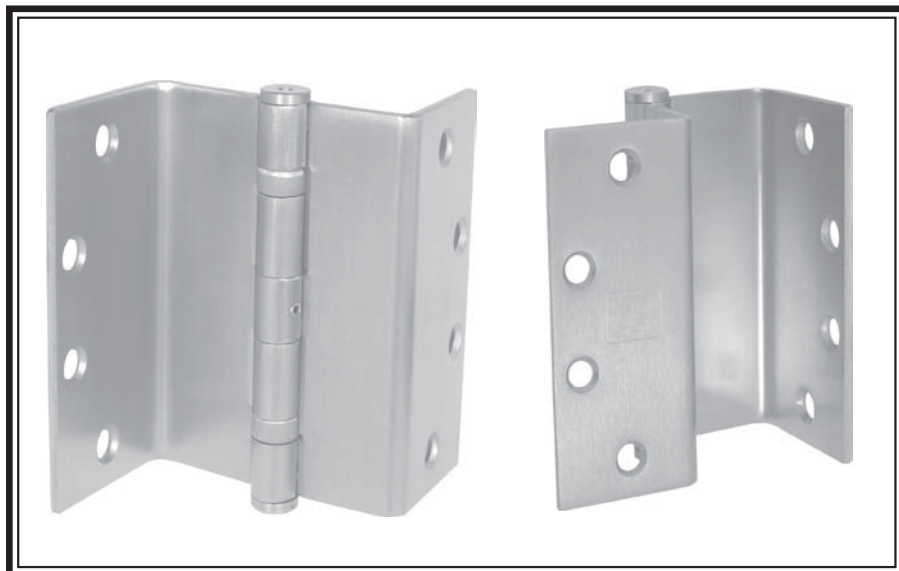
One hinge per plastic bag, 3 hinges and 1 screw pack per unit carton.
 12 unit carton or 36 hinges per master shipping carton.
 1 screw pack includes all machine screws (24), and 1/2 wood screws (12). ATMS & AWS also available.





SWING CLEAR FULL MORTISE TEMPLATE BALL BEARING
STANDARD WEIGHT
5"

H4



GENERAL PRODUCT INFORMATION: PBB, Inc. template hinges are manufactured to close tolerances and meet all specifications and requirements set by the American National Standards Institute (ANSI).

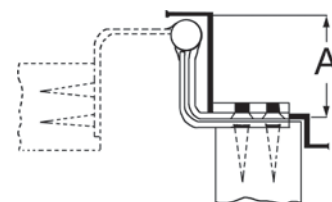
For use in hospitals, institutional or commercial type buildings for barrier-free environment. Wherever doors are required to meet barrier-free codes (ADA) or are required to swing completely clear of the openings so that wide equipment can pass through without damaging doors, frames or equipment, reducing opening maintenance.

MATERIAL GAUGE:
 .146 ± .005 for 5"

SCBB81 (ANSI A8122)
Steel-Polished and Plated or Bonderized and Prime Coated for Painting.

SCBB51 (ANSI A5122)
Stainless Steel-Polished and Satin Finish

- All swing clear hinges are made for reversible applications.
- Designed to swing doors completely clear of the opening when door is opened 95°.
- When opened 90° door projects 3/32" past stop of jamb.
- Recommended for 3'0" x 7'0" x 1-3/4" doors not to exceed 150 lbs.
- For medium weight doors receiving average frequency service.
- For hospital type, add HT to suffix of part number.
- All hinges are ANSI template.



OTHER SPECIFICATIONS:

Height of hinge:
 5" + .000 for 5"
 - .015

Minimum Clearance Required
 Dimension "A" (inches) 2-1/8"

***NOTE: Specify square or beveled when ordering product.**

5" STANDARD SCREW SIZE
FHMS - 12-24 x 1/2"
FHWS - 12 x 1-1/4"

PACKAGING INFORMATION:

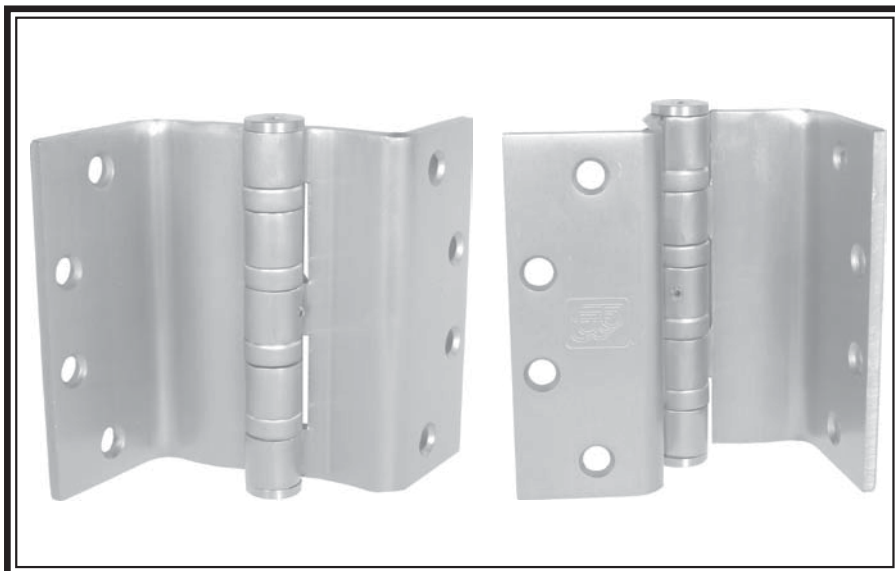
One hinge per plastic bag, 3 hinges and 1 screw pack per unit carton.
 12 unit carton or 36 hinges per master shipping carton.
 1 screw pack includes all machine screws (24), and 1/2 wood screws (12). ATMS & AWS also available.





SWING CLEAR FULL MORTISE BALL BEARING

HEAVY WEIGHT
4 1/2"



SC4B81 (ANSI A8121)
Steel-Polished and Plated or Bonderized and Prime Coated for Painting.

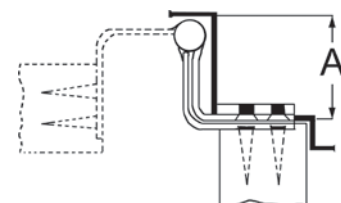
SC4B51 (ANSI A5121)
Stainless Steel-Polished and Satin Finish

H5

- All swing clear hinges are made for reversible applications.
- Designed to swing doors completely clear of the opening when door is opened 95°. When opened 90° door projects 11/64" past stop of jamb.
- For heavy weight doors receiving high frequency service.
- For hospital type, add HT to suffix of part number.
- All hinges are ANSI template.

GENERAL PRODUCT INFORMATION: PBB, Inc. template hinges are manufactured to close tolerances and meet all specifications and requirements set by the American National Standards Institute (ANSI).

For use in hospitals, institutional or commercial type buildings for barrier-free environment. Wherever doors are required to meet barrier-free codes (ADA) or are required to swing completely clear of the openings so that wide equipment can pass through without damaging doors, frames or equipment, reducing opening maintenance.



OTHER SPECIFICATIONS:

Height of hinge:
 4.50 + .000
 - .015 for 4-1/2"

Minimum Clearance Required
 Dimension "A" (inches) 2-1/8"

***NOTE: Specify square or beveled when ordering product.**

MATERIAL GAUGE:
 .180 ± .005 for 4-1/2"

4-1/2" STANDARD SCREW SIZE
FHMS - 12-24 x 1/2"
FHWS - 12 x 1-1/4"



PACKAGING INFORMATION:

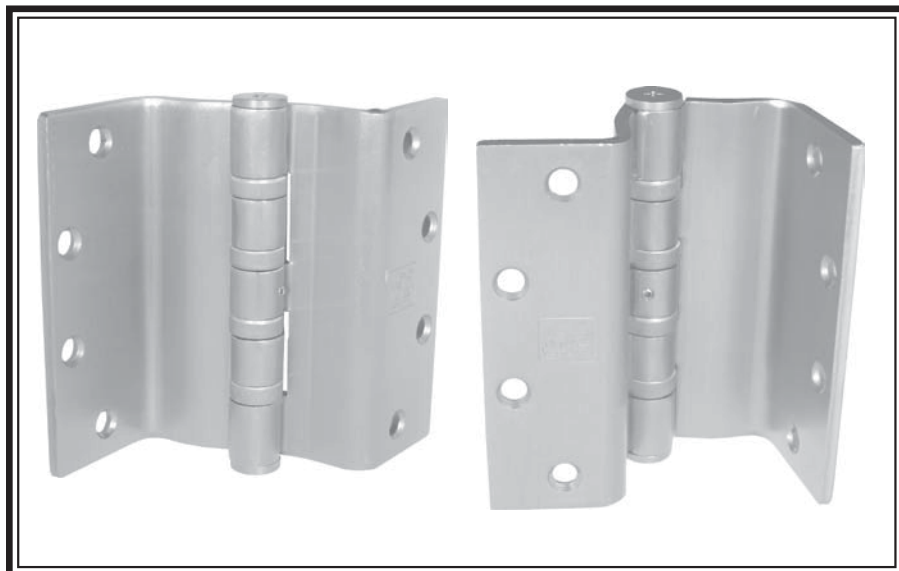
One hinge per plastic bag, 3 hinges and 1 screw pack per unit carton.
 8 unit carton or 24 hinges per master shipping carton.
 1 screw pack includes all machine screws (24), and 1/2 wood screws (12). ATMS & AWS also available.



SWING CLEAR FULL MORTISE BALL BEARING

HEAVY WEIGHT
5"

H6



GENERAL PRODUCT INFORMATION: PBB, Inc. template hinges are manufactured to close tolerances and meet all specifications and requirements set by the American National Standards Institute (ANSI).

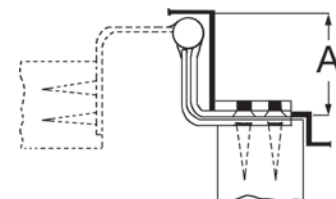
For use in hospitals, institutional or commercial type buildings for barrier-free environment. Wherever doors are required to meet barrier-free codes (ADA) or are required to swing completely clear of the openings so that wide equipment can pass through without damaging doors, frames or equipment, reducing opening maintenance.

MATERIAL GAUGE:
 .190 ± .005 for 5"

SC4B81 (ANSI A8121)
Steel - Polished and Plated or Bonderized and Prime Coated for Painting.

SC4B51 (ANSI A5121)
Stainless Steel-Polished and Satin Finish

- All swing clear hinges are made for reversible applications
- Designed to swing doors completely clear of the opening when door is opened 95°.
- When opened 90° door projects 11/64" past stop of jamb.
- Recommended for 3'4" width doors having a thickness of 2" or more.
- For heavy weight doors receiving high frequency service.
- For hospital type, add HT to suffix of part number
- All hinges are ANSI template.



OTHER SPECIFICATIONS:

Height of hinge:
 5.00 + .000
 - .015 for 5"

Minimum Clearance Required
 Dimension "A" (inches) 2-1/8"

***NOTE: Specify square or beveled when ordering product.**

5" STANDARD SCREW SIZE
FHMS - 12-24 x 1/2"
FHWS - 12 x 1-1/4"



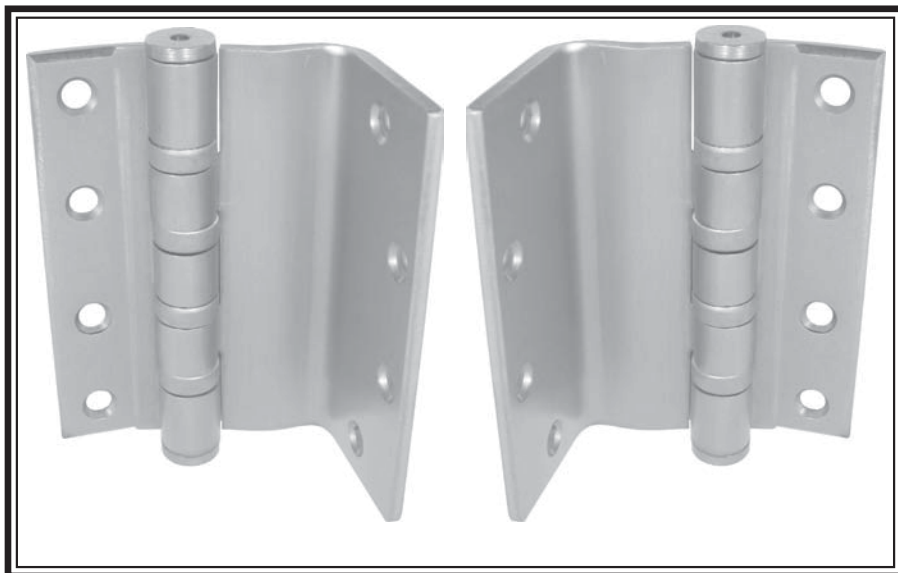
PACKAGING INFORMATION:

One hinge per plastic bag, 3 hinges and 1 screw pack per unit carton.
 8 unit carton or 24 hinges per master shipping carton.
 1 screw pack includes all machine screws (24), and 1/2 wood screws (12). ATMS & AWS also available.



SWING CLEAR HALF MORTISE BALL BEARING

HEAVY WEIGHT
5"



SC4B82 (ANSI A8221)
Steel-Polished and Plated or Bonderized and Prime Coated for Painting.

SC4B52 (ANSI A8221)
Stainless Steel-Polished and Satin Finish

H7

- All swing clear hinges are made for reversible applications
- Designed to swing doors completely clear of the opening when door is opened 95°.
- When opened 90° door projects 11/64" past stop of jamb.
- For use on channel iron or pressed steel jambs.
- For heavy weight doors receiving high frequency service in hospitals or institutions.
- For hospital type, add HT to suffix of part number.
- All hinges are ANSI template.

GENERAL PRODUCT INFORMATION: PBB, Inc. template hinges are manufactured to close tolerances and meet all specifications and requirements set by the American National Standards Institute (ANSI).

For use in hospitals, institutional or commercial type buildings for barrier-free environment. Wherever doors are required to meet barrier-free codes (ADA) or are required to swing completely clear of the openings so that wide equipment can pass through without damaging doors, frames or equipment, reducing opening maintenance.

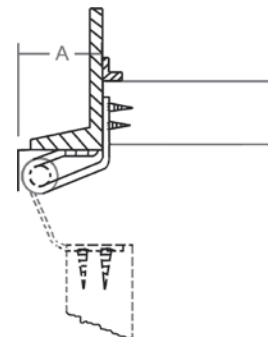
OTHER SPECIFICATIONS:

Height of hinge:

$$5.00 + .000 \text{ for } 5" \\ - .015$$

Minimum Clearance Required
 Dimension "A" (inches) 2-1/8"

***NOTE: Specify square or beveled when ordering product.**



MATERIAL GAUGE:

.190 ± .005 for 5"

5" STANDARD SCREW SIZE
JAMB LEAF FHMS - 1/2" x 1/4-20
DOOR LEAF FHWS - 12 x 1-1/2"
DOOR LEAF FHMS - 12-24 x 1/2"

PACKAGING INFORMATION:

One hinge per plastic bag, 3 hinges and 1 screw pack per unit carton.

11 unit carton or 33 hinges per master shipping carton.

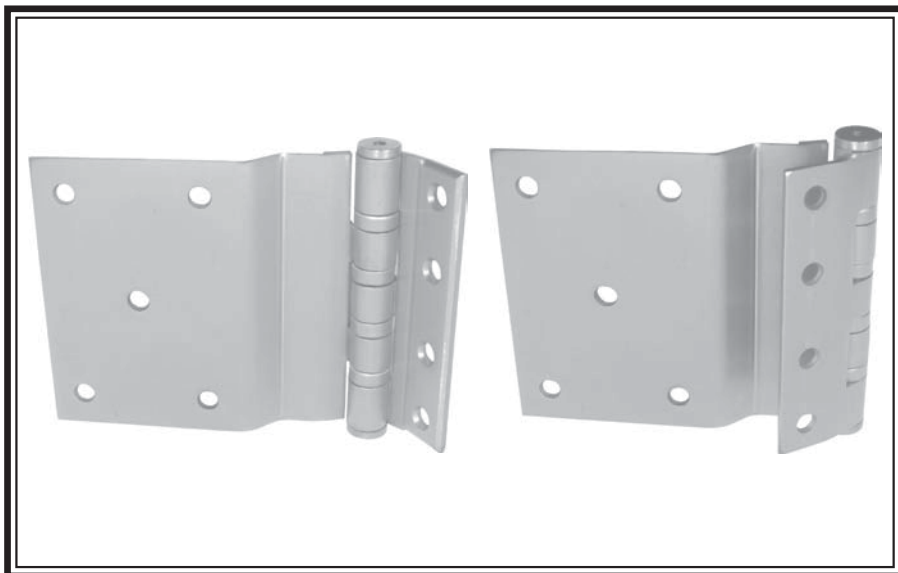
1 screw pack includes all machine screws (24), and 1/2 wood screws (12).



SWING CLEAR FULL SURFACE BALL BEARING

HEAVY WEIGHT
5"

H3



GENERAL PRODUCT INFORMATION: PBB, Inc. template hinges are manufactured to close tolerances and meet all specifications and requirements set by the American National Standards Institute (ANSI).

For use in hospitals, institutional or commercial type buildings for barrier-free environment. Wherever doors are required to meet barrier-free codes (ADA) or are required to swing completely clear of the openings so that wide equipment can pass through without damaging doors, frames or equipment, reducing opening maintenance.

MATERIAL GAUGE:

.190 ± .005 for 5"



5" STANDARD SCREW SIZE
JAMB LEAF FHMS - 1/2" x 1/4-20
DOOR LEAF OHMS/NUT - 2" x 1/4-20

OTHER SPECIFICATIONS:

Height of hinge:

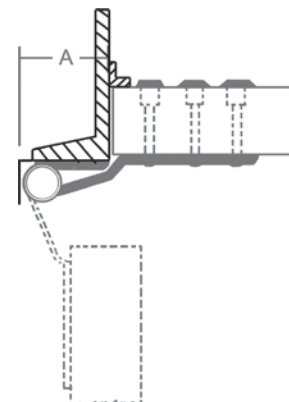
$$5.00 \begin{matrix} + .000 \\ - .015 \end{matrix} \text{ for } 5"$$

Minimum Clearance Required
 Dimension "A" (inches) 2-1/8"

SC4B83 (ANSI A8321)
Steel-Polished and Plated or Bonderized and Prime Coated for Painting.

SC4B53 (ANSI A5321)
StainlessSteel-Polished and Satin Finish

- All swing clear hinges are made for reversible applications
- Designed to swing doors completely clear of the opening when door is opened 95°.
- When opened 90° door projects 3/32" past stop of jamb.
- Removable plug for reversing pin for application needed.
- For use on channel iron or pressed steel jambs.
- For heavy weight or Kalamein doors receiving high frequency service in hospitals or institutions.
- Hinges can be furnished hospital type.
- All hinges are ANSI template.



PACKAGING INFORMATION:

One hinge per plastic bag, 3 hinges and 1 screw pack per unit carton.

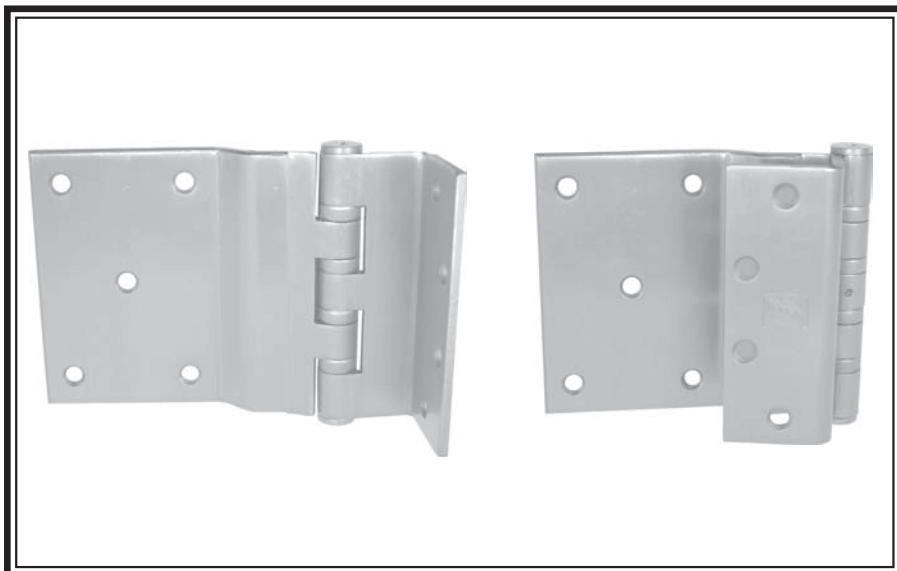
4 unit carton or 12 hinges per master shipping carton.

1 screw pack includes all machine screws (12), and oval head machine screws (15) with grommet nuts.



SWING CLEAR HALF SURFACE BALL BEARING

HEAVY WEIGHT
5"



GENERAL PRODUCT INFORMATION: PBB, Inc. template hinges are manufactured to close tolerances and meet all specifications and requirements set by the American National Standards Institute (ANSI).

For use in hospitals, institutional or commercial type buildings for barrier-free environment. Wherever doors are required to meet barrier-free codes (ADA) or are required to swing completely clear of the openings so that wide equipment can pass through without damaging doors, frames or equipment, reducing opening maintenance.

MATERIAL GAUGE:
.190 ± .005 for 5"



5" STANDARD SCREW SIZE
JAMB LEAF OHMS - 12-24 x 1/2"
DOOR LEAF OHMS/NUT - 2" x 1/4-20

PACKAGING INFORMATION:

One hinge per plastic bag, 3 hinges and 1 screw pack per unit carton.
4 unit carton or 12 hinges per master shipping carton.
1 screw pack includes all machine screws (12), and oval head machine screws (15) with grommet nuts.

SC4B84 (ANSI A8421)
Steel - Polished and Plated or Bonderized and Prime Coated for Painting.

SC4B54 (ANSI A5421)
Stainless Steel-Polished and Satin Finish

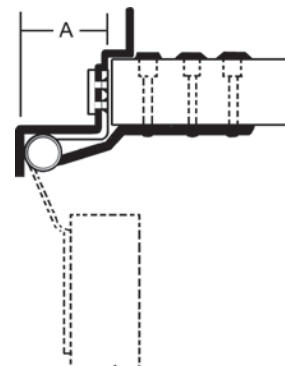
H9

- All swing clear hinges are made for reversible applications
- Designed to swing doors completely clear of the opening when door is opened 95°.
- When opened 90° door projects 11/64" past stop of jamb.
- Removable plug for reversing pin for application needed.
- For use on pressed steel frames.
- For heavy weight or Kalamein doors receiving high frequency service in hospitals or institutions.
- For hospital type, add HT to suffix of part number
- All hinges are ANSI template.

OTHER SPECIFICATIONS:

Height of hinge: $5.00 \begin{matrix} +.000 \\ -.015 \end{matrix}$ for 5"

Minimum Clearance Required
Dimension "A" (inches) 2-1/8"

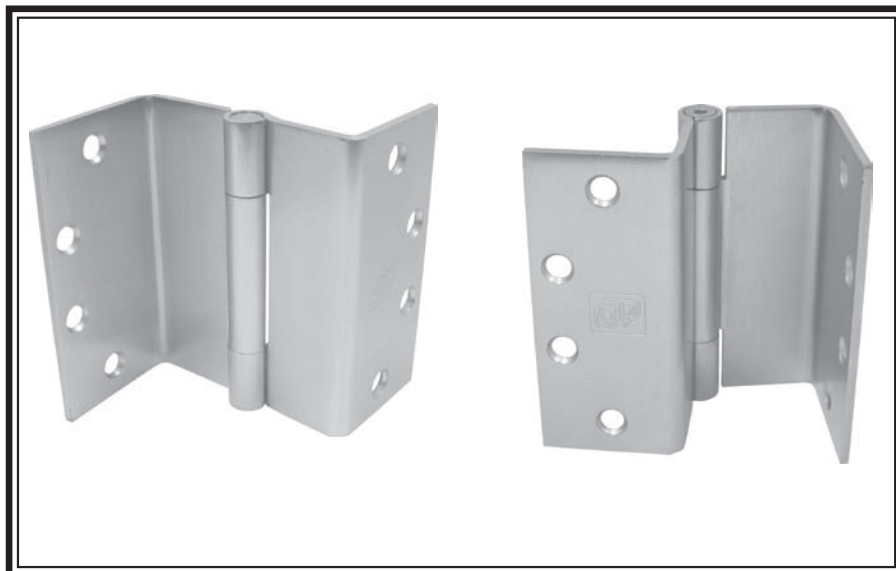




SWING CLEAR FULL MORTISE CONCEALED BEARING

STANDARD WEIGHT
4 1/2"

H10



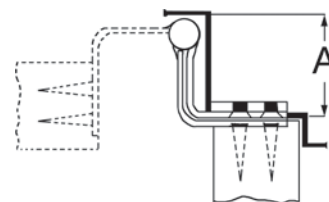
SCCB81 (ANSI A8122)
Steel-Polished and Plated or Bonderized and Prime Coated for Painting.

SCCB51 (ANSI A5122)
Stainless Steel-Polished and Satin Finish

- All swing clear hinges are made for reversible applications.
- Designed to swing doors completely clear of the opening when door is opened 95°.
- When opened 90° door projects 3/32" past stop of jamb.
- Recommended for 3'0" x 7'0" x 1-3/4" doors not to exceed 150 lbs.
- For medium weight doors receiving average frequency service.
- For hospital type, add HT to suffix of part number.
- Concealed bearing for trouble free long life application.
- All hinges are ANSI template.

GENERAL PRODUCT INFORMATION: PBB, Inc. template hinges are manufactured to close tolerances and meet all specifications and requirements set by the American National Standards Institute (ANSI).

For use in hospitals, institutional or commercial type buildings for barrier-free environment. Wherever doors are required to meet barrier-free codes (ADA) or are required to swing completely clear of the openings so that wide equipment can pass through without damaging doors, frames or equipment, reducing opening maintenance.



OTHER SPECIFICATIONS:

Height of hinge:
 4.50 + .000 for 4-1/2"
 - .015

Minimum Clearance Required
 Dimension "A" (inches) 2-1/8"

NOTE: Specify square or beveled when ordering product.

MATERIAL GAUGE:

.134 ± .005 for 4-1/2"

4-1/2" STANDARD SCREW SIZE
FHMS - 12-24 x 1/2"
FHWS - 12 x 1-1/4"

PACKAGING INFORMATION:

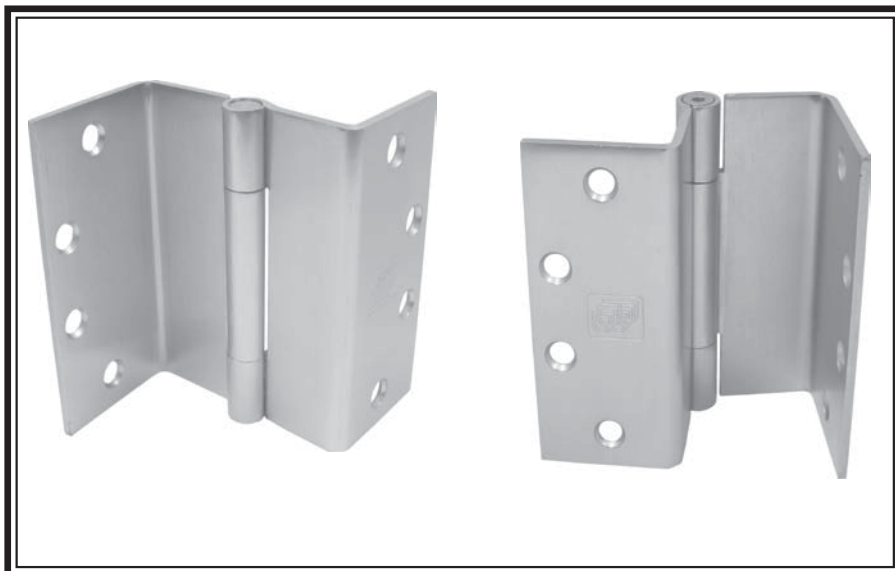
One hinge per plastic bag, 3 hinges and 1 screw pack per unit carton.
 12 unit carton or 36 hinges per master shipping carton.

1 screw pack includes all machine screws (24), and 1/2 wood screws (12). ATMS & AWS also available.





SWING CLEAR FULL MORTISE CONCEALED BEARING
STANDARD WEIGHT
5"



GENERAL PRODUCT INFORMATION: PBB, Inc. template hinges are manufactured to close tolerances and meet all specifications and requirements set by the American National Standards Institute (ANSI).

For use in hospitals, institutional or commercial type buildings for barrier-free environment. Wherever doors are required to meet barrier-free codes (ADA) or are required to swing completely clear of the openings so that wide equipment can pass through without damaging doors, frames or equipment, reducing opening maintenance.

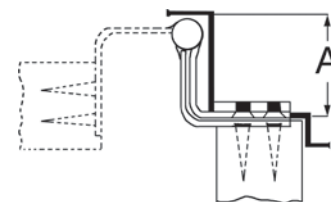
MATERIAL GAUGE:
 .146 ± .005 for 5"

SCCB81 (ANSI A8122)
Steel-Polished and Plated or Bonderized and Prime Coated for Painting.

SCCB51 (ANSI A5122)
Stainless Steel-Polished and Satin Finish

H11

- All swing clear hinges are made for reversible applications.
- Designed to swing doors completely clear of the opening when door is opened 95°.
- When opened 90° door projects 3/32" past stop of jamb.
- Recommended for 3'0" x 7'0" x 1-3/4" doors not to exceed 150 lbs.
- For medium weight doors receiving average frequency service.
- For hospital type, add HT to suffix of part number.
- Concealed bearing for trouble free long life application.
- All hinges are ANSI template.



OTHER SPECIFICATIONS:

Height of hinge:
 5" + .000 for 5"
 - .015

Minimum Clearance Required
 Dimension "A" (inches) 2-1/8"

NOTE: Specify square or beveled when ordering product.

4-1/2" STANDARD SCREW SIZE
FHMS - 12-24 x 1/2"
FHWS - 12 x 1-1/4"

PACKAGING INFORMATION:

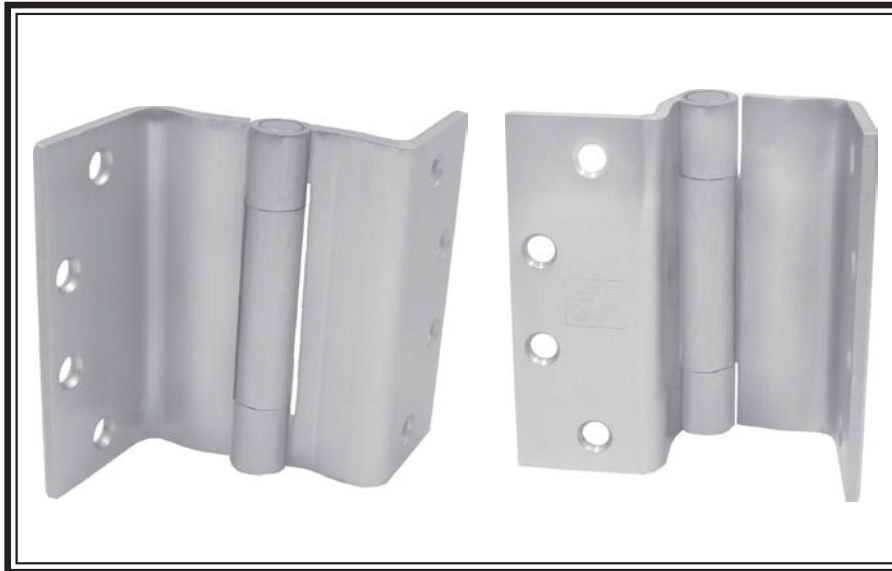
One hinge per plastic bag, 3 hinges and 1 screw pack per unit carton.
 12 unit carton or 36 hinges per master shipping carton.
 1 screw pack includes all machine screws (24), and 1/2 wood screws (12). ATMS & AWS also available.





SWING CLEAR FULL MORTISE CONCEALED BEARING
HEAVY WEIGHT
4 1/2"

H12



SC4C81 (ANSI A8121)
Steel-Polished and Plated or Bonderized and Prime Coated for Painting.

SC4C51 (ANSI A5121)
Stainless Steel-Polished and Satin Finish

- All swing clear hinges are made for reversible applications.
- Designed to swing doors completely clear of the opening when door is opened 95°. When opened 90° door projects 11/64" past stop of jamb.
- Concealed bearing for trouble free long life.
- Attractive slim barrel with flush pins and plugs
- For heavy weight doors receiving high frequency service.
- For hospital type, add HT to suffix of part number.
- All hinges are ANSI template.

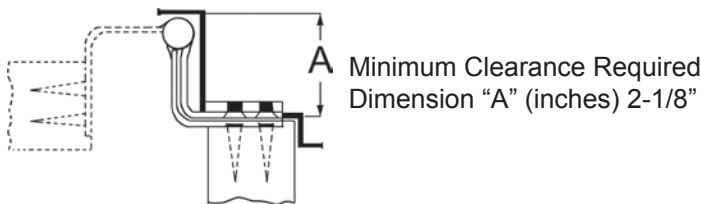
GENERAL PRODUCT INFORMATION: PBB, Inc. template hinges are manufactured to close tolerances and meet all specifications and requirements set by the American National Standards Institute (ANSI).

For use in hospitals, institutional or commercial type buildings for barrier-free environment. Wherever doors are required to meet barrier-free codes (ADA) or are required to swing completely clear of the openings so that wide equipment can pass through without damaging doors, frames or equipment, reducing opening maintenance.

MATERIAL GAUGE:
 .180 ± .005 for 4-1/2"

OTHER SPECIFICATIONS:

Height of hinge:
 4.50 + .000
 - .015 for 4-1/2"



***NOTE: Specify square or beveled when ordering product.**

4-1/2" STANDARD SCREW SIZE
FHMS - 12-24 x 1/2"
FHWS - 12 x 1-1/4"

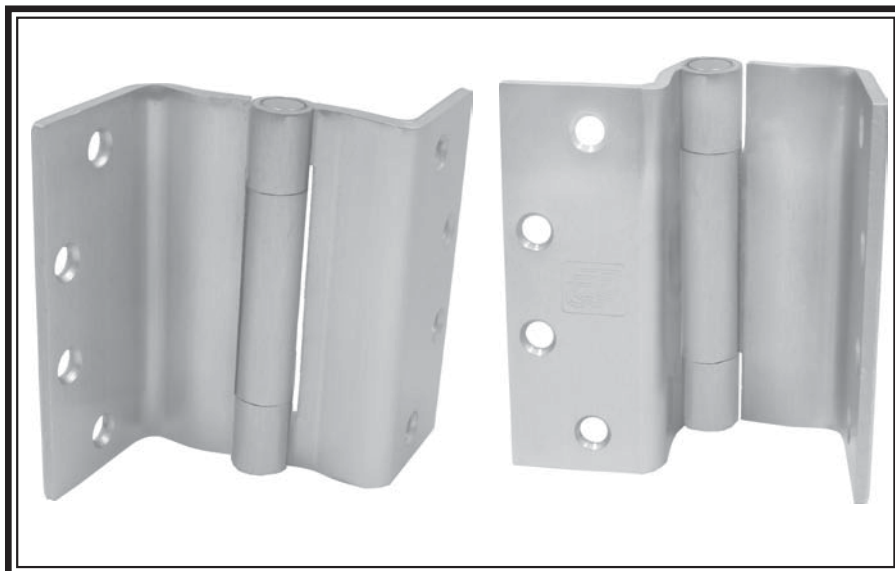


PACKAGING INFORMATION:

One hinge per plastic bag, 3 hinges and 1 screw pack per unit carton.
 12 unit carton or 36 hinges per master shipping carton.
 1 screw pack includes all machine screws (24), and 1/2 wood screws (12). ATMS & AWS also available.



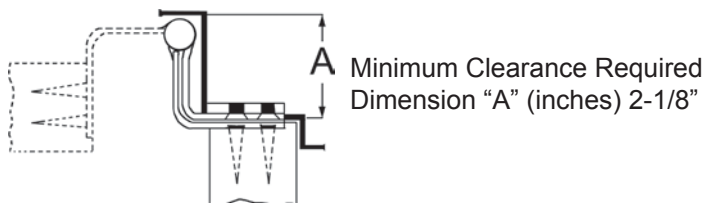
SWING CLEAR FULL MORTISE CONCEALED BEARING
HEAVY WEIGHT
5"



GENERAL PRODUCT INFORMATION: PBB, Inc. template hinges are manufactured to close tolerances and meet all specifications and requirements set by the American National Standards Institute (ANSI).

For use in hospitals, institutional or commercial type buildings for barrier-free environment. Wherever doors are required to meet barrier-free codes (ADA) or are required to swing completely clear of the openings so that wide equipment can pass through without damaging doors, frames or equipment, reducing opening maintenance.

MATERIAL GAUGE:
 .190 ± .005 for 5"



5" STANDARD SCREW SIZE
FHMS - 12-24 x 1/2"
FHWS - 12 x 1-1/2"

SC4C81 (ANSI A8121)
Steel-Polished and Plated or Bonderized and Prime Coated for Painting.

SC4C51 (ANSI A5121)
Stainless Steel-Polished and Satin Finish

H13

- All swing clear hinges are made for reversible applications.
- Designed to swing doors completely clear of the opening when door is opened 95°. When opened 90° door projects 11/64" past stop of jamb.
- Concealed bearing for trouble free long life.
- Attractive slim barrel with flush pins and plugs
- For heavy weight doors receiving high frequency service.
- For hospital type, add HT to suffix of part number.
- All hinges are ANSI template.

OTHER SPECIFICATIONS:

Height of hinge:
 5.00 + .000
 - .015 for 5"

***NOTE: Specify square or beveled when ordering product.**



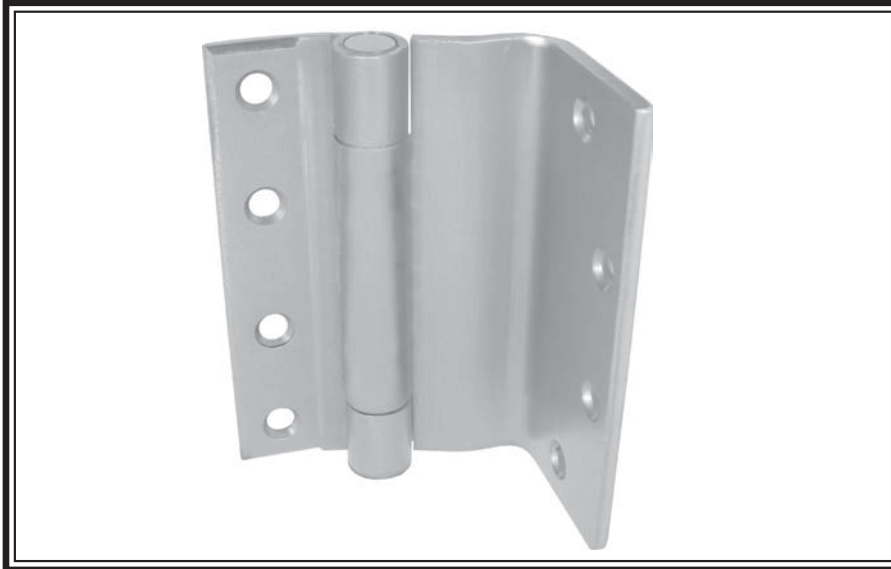
PACKAGING INFORMATION:

One hinge per plastic bag, 3 hinges and 1 screw pack per unit carton.
 8 unit carton or 24 hinges per master shipping carton.
 1 screw pack includes all machine screws (24), and 1/2 wood screws (12). ATMS & AWS also available.



SWING CLEAR HALF MORTISE CONCEALED BEARING
HEAVY WEIGHT
5"

H14



SC4C82 (ANSI A8221)
Steel-Polished and Plated or Bonderized and Prime Coated for Painting.

SC4C52 (ANSI A8221)
Stainless Steel-Polished and Satin Finish

- All swing clear hinges are made for reversible applications
- Designed to swing doors completely clear of the opening when door is opened 95°.
- When opened 90° door projects 11/64" past stop of jamb.
- For use on channel iron or pressed steel jambs.
- For heavy weight doors receiving high frequency service in hospitals or institutions.
- For hospital type, add HT to suffix of part number.
- All hinges are ANSI template.

GENERAL PRODUCT INFORMATION: PBB, Inc. template hinges are manufactured to close tolerances and meet all specifications and requirements set by the American National Standards Institute (ANSI).

For use in hospitals, institutional or commercial type buildings for barrier-free environment. Wherever doors are required to meet barrier-free codes (ADA) or are required to swing completely clear of the openings so that wide equipment can pass through without damaging doors, frames or equipment, reducing opening maintenance.

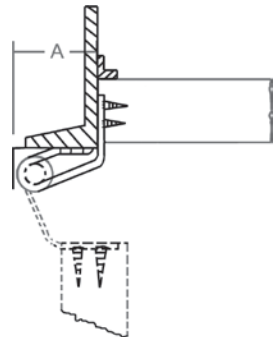
OTHER SPECIFICATIONS:

Height of hinge:
 5.00 + .000 for 5"
 - .015

Minimum Clearance Required
 Dimension "A" (inches) 2-1/8"

***NOTE: Specify square or beveled when ordering product.**

MATERIAL GAUGE:
 .190 ± .005 for 5"



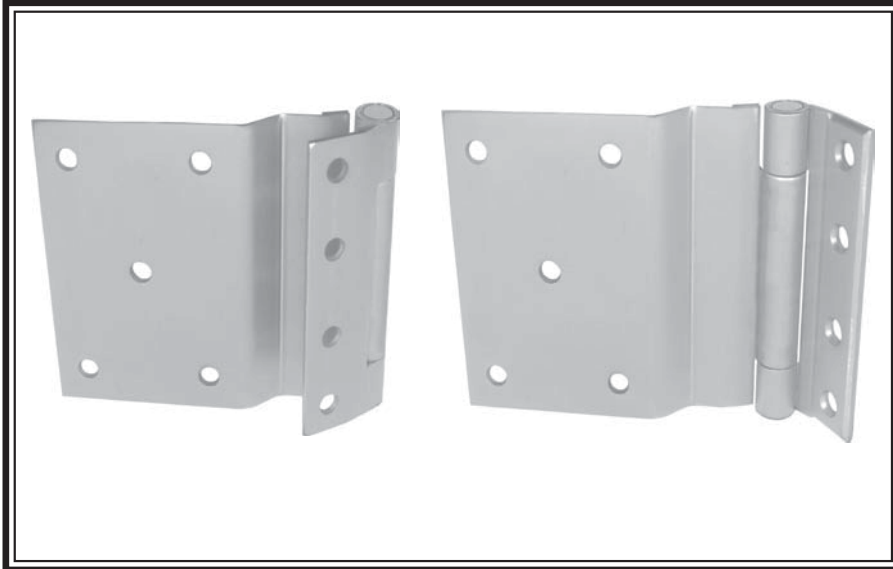
5" STANDARD SCREW SIZE
JAMB LEAF FHMS - 1/2" x 1/4-20
DOOR LEAF FHWS - 12 x 1-1/2"
DOOR LEAF FHMS - 12-24 x 1/2"

PACKAGING INFORMATION:

One hinge per plastic bag, 3 hinges and 1 screw pack per unit carton.
 11 unit carton or 33 hinges per master shipping carton.
 1 screw pack includes all machine screws (24), and 1/2 wood screws (12).



**SWING CLEAR FULL SURFACE CONCEALED BEARING
HEAVY WEIGHT
5"**



GENERAL PRODUCT INFORMATION: PBB, Inc. template hinges are manufactured to close tolerances and meet all specifications and requirements set by the American National Standards Institute (ANSI).

For use in hospitals, institutional or commercial type buildings for barrier-free environment. Wherever doors are required to meet barrier-free codes (ADA) or are required to swing completely clear of the openings so that wide equipment can pass through without damaging doors, frames or equipment, reducing opening maintenance.

MATERIAL GAUGE:
.190 ± .005 for 5"



5" STANDARD SCREW SIZE
JAMB LEAF FHMS - 1/2" x 1/4-20
DOOR LEAF OHMS/NUT - 2" x 1/4-20

PACKAGING INFORMATION:

One hinge per plastic bag, 3 hinges and 1 screw pack per unit carton.
4 unit carton or 12 hinges per master shipping carton.
1 screw pack includes all machine screws (12), and oval head machine screws (15) with grommet nuts.

SC4C83 (ANSI A8321)
Steel-Polished and Plated or Bonderized and Prime Coated for Painting.

SC4C53 (ANSI A5321)
StainlessSteel-Polished and Satin Finish

H15

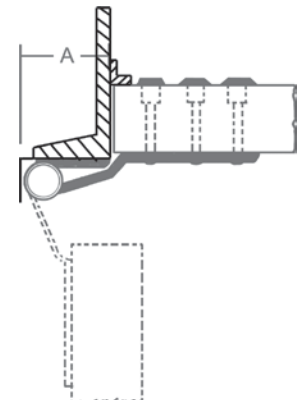
- All swing clear hinges are made for reversible applications
- Designed to swing doors completely clear of the opening when door is opened 95°.
- When opened 90° door projects 3/32" past stop of jamb.
- Removable plug for reversing pin for application needed.
- For use on channel iron or pressed steel jambs.
- For heavy weight or Kalamein doors receiving high frequency service in hospitals or institutions.
- Hinges can be furnished hospital type.
- All hinges are ANSI template.

OTHER SPECIFICATIONS:

Height of hinge:

$$5.00 + .000 \text{ for } 5" \\ - .015$$

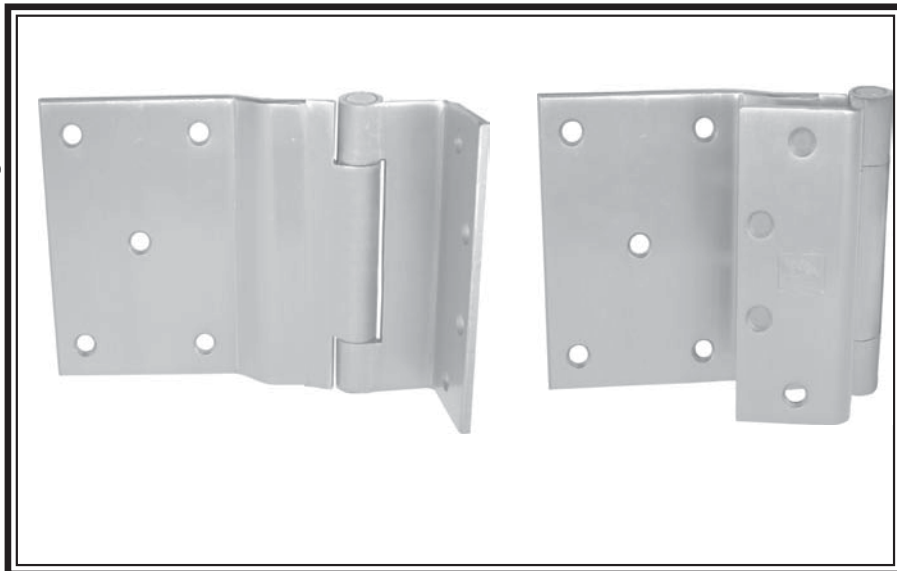
Minimum Clearance Required
Dimension "A" (inches) 2-1/8"





SWING CLEAR HALF SURFACE CONCEALED BEARING
HEAVY WEIGHT
5"

H16



SC4C84 (ANSI A8421)
Steel - Polished and Plated or Bonderized and Prime Coated for Painting.

SC4C54 (ANSI A5421)
Stainless Steel-Polished and Satin Finish

- All swing clear hinges are made for reversible applications
- Designed to swing doors completely clear of the opening when door is opened 95°.
- When opened 90° door projects 11/64" past stop of jamb.
- Removable plug for reversing pin for application needed.
- For use on pressed steel frames.
- For heavy weight or Kalamein doors receiving high frequency service in hospitals or institutions.
- For hospital type, add HT to suffix of part number
- All hinges are ANSI template.

GENERAL PRODUCT INFORMATION: PBB, Inc. template hinges are manufactured to close tolerances and meet all specifications and requirements set by the American National Standards Institute (ANSI).

For use in hospitals, institutional or commercial type buildings for barrier-free environment. Wherever doors are required to meet barrier-free codes (ADA) or are required to swing completely clear of the openings so that wide equipment can pass through without damaging doors, frames or equipment, reducing opening maintenance.

OTHER SPECIFICATIONS:

Height of hinge: $5.00 \begin{matrix} + .000 \\ - .015 \end{matrix}$ for 5"

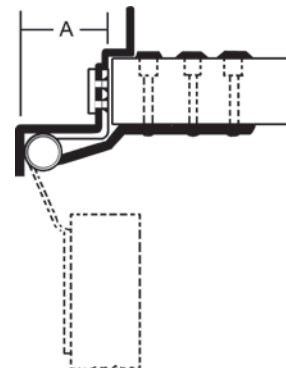
Minimum Clearance Required
Dimension "A" (inches) 2-1/8"

MATERIAL GAUGE:

.190 ± .005 for 5"



5" STANDARD SCREW SIZE
JAMB LEAF OHMS - 12-24 x 1/2"
DOOR LEAF OHMS/NUT - 2" x 1/4-20



PACKAGING INFORMATION:

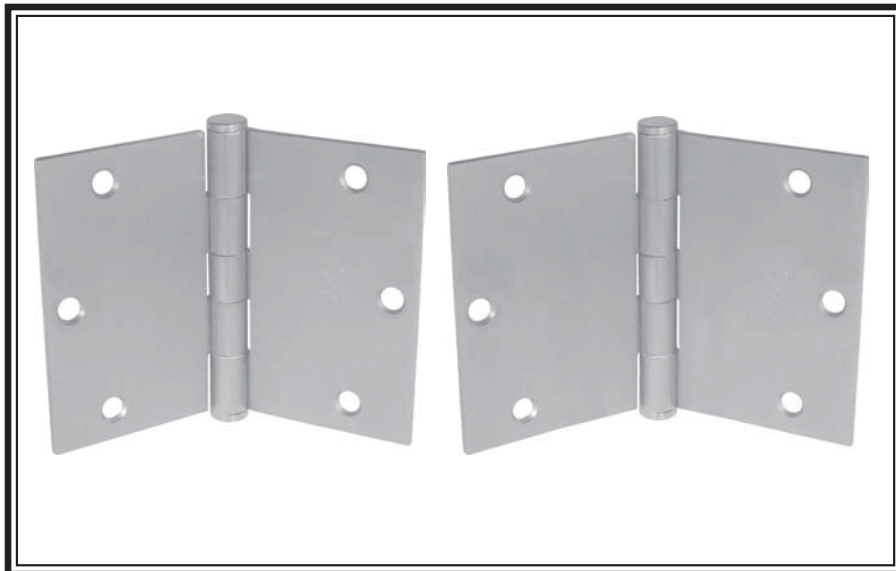
One hinge per plastic bag, 3 hinges and 1 screw pack per unit carton.
4 unit carton or 12 hinges per master shipping carton.
1 screw pack includes all machine screws (12), and oval head machine screws (15) with grommet nuts.



FULL MORTISE TEMPLATE PLAIN BEARING

STANDARD WEIGHT WIDE THROW

3 1/2" x 4" 3 1/2" x 5"



WTPB81 (ANSI A8133)
Steel-Polished and Plated or Bonderized and Prime Coated for Painting.

WTPB21 (ANSI A2133)
Brass-Polished and Plated

WTPB51 (ANSI A5133)
Stainless Steel-Polished and Satin Finish



- For use on medium weight doors requiring low frequency service.
- For use where doors must clear molding or protrusion, positioning the door out further, when open.
- Not for use with door closer.
- For hospital type, add HT to suffix of part number.
- All hinges are ANSI template.

GENERAL PRODUCT INFORMATION: PBB, Inc. template hinges are manufactured to close tolerances and meet all specifications and requirements set by the American National Standards Institute (ANSI).

HINGE SWAGING: A standard swaging of our standard weight full mortise hinge when closed to parallel position provides a 3/32" clearance between leaves.

OTHER SPECIFICATIONS:

Height of hinge:
3.50 + .000 for 3-1/2"
- .015

Width:
4.00 ± .015 for 3-1/2" x 4"
5.00 ± .015 for 3-1/2" x 5"

MATERIAL GAUGE:
.123 ± .005 for 3-1/2" x 4" & 5"

3-1/2" WIDE THROW STANDARD SCREW SIZE
FHMS - 10-24 x 1/2"
FHWS - 10 x 1"

ALL ITEMS ABOVE CAN BE MADE IN THREE OR FIVE KNUCKLE CONFIGURATION.

PACKAGING INFORMATION:

One hinge per plastic bag, 3 hinges and 1 screw pack per unit carton.
11 unit carton or 33 hinges per master shipping carton.
1 screw pack includes all machine screws (24), and 1/2 wood screws (12). ATMS & AWS also available.

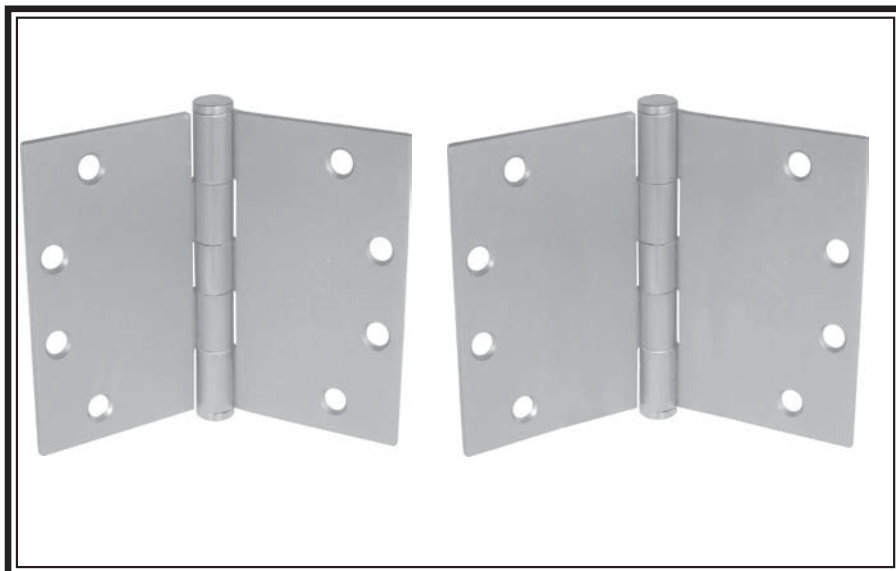


FULL MORTISE TEMPLATE PLAIN BEARING

STANDARD WEIGHT WIDE THROW

4" x 4 1/2" 4" x 5" 4" x 6"

I2



WTPB81 (ANSI A8133)
Steel-Polished and Plated or Bonderized and Prime Coated for Painting.

WTPB21 (ANSI A2133)
Brass-Polished and Plated

WTPB51 (ANSI A5133)
Stainless Steel-Polished and Satin Finish

- For use on medium weight doors requiring low frequency service.
- For use where doors must clear molding or protrusion, positioning the door out further, when open.
- Not for use with door closer.
- For hospital type, add HT to suffix of part number.
- All hinges are ANSI template.

GENERAL PRODUCT INFORMATION: PBB, Inc. template hinges are manufactured to close tolerances and meet all specifications and requirements set by the American National Standards Institute (ANSI).

HINGE SWAGING: A standard swaging of our standard weight full mortise hinge when closed to parallel position provides a 3/32" clearance between leaves.

OTHER SPECIFICATIONS:

Height of hinge:
4.00 + .000 for 4"
- .015

Width:
4.50 ± .015 for 4" x 4-1/2"
5.00 ± .015 for 4" x 5"
6.00 ± .015 for 4" x 6"

MATERIAL GAUGE:

.130 ± .005 for 4" x 4-1/2", 5", 6"

4" WIDE THROW STANDARD SCREW SIZE
FHMS - 12-24 x 1/2"
FHWS - 12 x 1-1/4"

ALL ITEMS ABOVE CAN BE MADE IN THREE OR FIVE KNUCKLE CONFIGURATION.

PACKAGING INFORMATION:

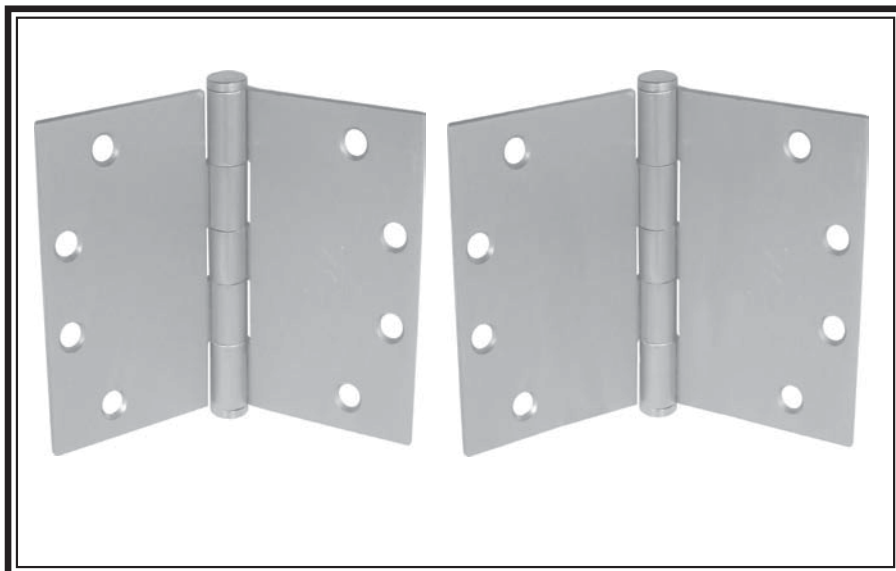
One hinge per plastic bag, 3 hinges and 1 screw pack per unit carton.
11 unit carton or 33 hinges per master shipping carton.
1 screw pack includes all machine screws (24), and 1/2 wood screws (12). ATMS & AWS also available.



FULL MORTISE TEMPLATE PLAIN BEARING

STANDARD WEIGHT WIDE THROWS

4 1/2" x 5" 4 1/2" x 6" 4 1/2" x 7" 4 1/2" x 8"



WTPB81 (ANSI A8133)
Steel-Polished and Plated or Bonderized and Prime Coated for Painting.

WTPB21 (ANSI A2133)
Brass-Polished and Plated

WTPB51 (ANSI A5133)
Stainless Steel-Polished and Satin Finish

13

- For use on medium weight doors requiring low frequency service.
- For use where doors must clear molding or protrusion, positioning the door out further, when open.
- Not for use with door closer.
- For hospital type, add HT to suffix of part number.
- All hinges are ANSI template.

GENERAL PRODUCT INFORMATION: PBB, Inc. template hinges are manufactured to close tolerances and meet all specifications and requirements set by the American National Standards Institute (ANSI).

HINGE SWAGING: A standard swaging of our standard weight full mortise hinge when closed to parallel position provides a 3/32" clearance between leaves.

OTHER SPECIFICATIONS:

Height of hinge:
4.50 + .000 for 4-1/2"
- .015

Width:
5.00 ± .015 for 4-1/2" x 5"
6.00 ± .015 for 4-1/2" x 6"
7.00 ± .015 for 4-1/2" x 7"
8.00 ± .015 for 4-1/2" x 8"

MATERIAL GAUGE:

.134 ± .005 for 4-1/2" x 5", 6", 7", 8"

4-1/2" WIDE THROW STANDARD SCREW SIZE
FHMS - 12-24 x 1/2"
FHWS - 12 x 1-1/4"

ALL ITEMS ABOVE CAN BE MADE IN THREE OR FIVE KNUCKLE CONFIGURATION.

PACKAGING INFORMATION:

One hinge per plastic bag, 3 hinges and 1 screw pack per unit carton.
8 unit carton or 24 hinges per master shipping carton.
1 screw pack includes all machine screws (24), and 1/2 wood screws (12). ATMS & AWS also available.

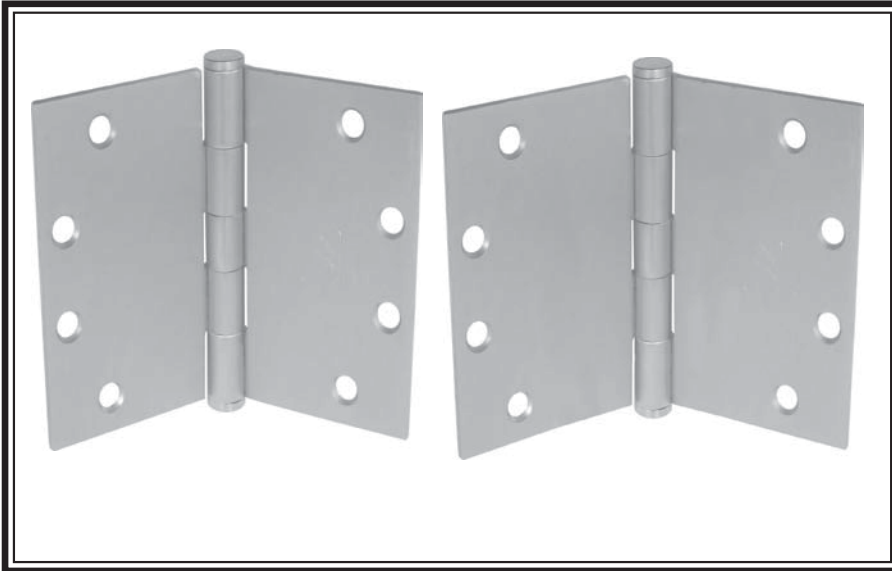


FULL MORTISE TEMPLATE PLAIN BEARING

STANDARD WEIGHT WIDE THROW

5" x 6" 5" x 7" 5" x 8"

I4



WTPB81 (ANSI A8133)
Steel-Polished and Plated or Bonderized and Prime Coated for Painting.

WTPB21 (ANSI A2133)
Brass-Polished and Plated

WTPB51 (ANSI A5133)
Stainless Steel-Polished and Satin Finish

- For use on medium weight doors requiring low frequency service.
- For use where doors must clear molding or protrusion, positioning the door out further, when open.
- Not for use with door closer.
- For hospital type, add HT to suffix of part number.
- All hinges are ANSI template.

GENERAL PRODUCT INFORMATION: PBB, Inc. template hinges are manufactured to close tolerances and meet all specifications and requirements set by the American National Standards Institute (ANSI).

HINGE SWAGING: A standard swaging of our standard weight full mortise hinge when closed to parallel position provides a 3/32" clearance between leaves.

MATERIAL GAUGE:
.146 ± .005 for 5" x 6", 7", 8"

OTHER SPECIFICATIONS:

Height of hinge:
5.00 + .000 for 5"
 - .015

Width:
6.00 ± .015 for 5" x 6"
7.00 ± .015 for 5" x 7"
8.00 ± .015 for 5" x 8"

5" WIDE THROW STANDARD SCREW SIZE
FHMS - 12-24 x 1/2"
FHWS - 12 x 1-1/4"

ALL ITEMS ABOVE CAN BE MADE IN THREE OR FIVE KNUCKLE CONFIGURATION.

PACKAGING INFORMATION:

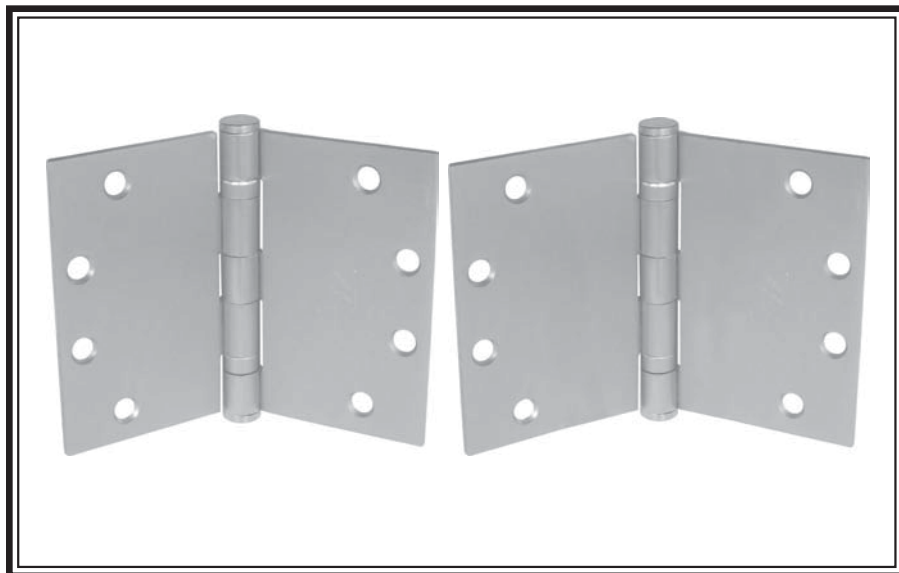
One hinge per plastic bag, 3 hinges and 1 screw pack per unit carton.
8 unit carton or 24 hinges per master shipping carton.
1 screw pack includes all machine screws (24), and 1/2 wood screws (12). ATMS & AWS also available.



FULL MORTISE TEMPLATE BALL BEARING

STANDARD WEIGHT WIDE THROW

3 1/2" x 4" 3 1/2" x 5"



WTBB81 (ANSI A8112)
Steel-Polished and Plated or Bonderized and Prime Coated for Painting.

WTBB21 (ANSI A2112)
Brass-Polished and Plated

WTBB51 (ANSI A5112)
Stainless Steel-Polished and Satin Finish

15

- For use on medium weight doors requiring average frequency service.
- For use where doors must clear molding or protrusion, positioning the door out further, when open.
- For hospital type, add HT to suffix of part number.
- All hinges are ANSI template.

GENERAL PRODUCT INFORMATION: PBB, Inc. template hinges are manufactured to close tolerances and meet all specifications and requirements set by the American National Standards Institute (ANSI).

HINGE SWAGING: A standard swaging of our standard weight full mortise hinge when closed to parallel position provides a 3/32" clearance between leaves.

MATERIAL GAUGE:
.123 ± .005 for 3-1/2" x 4" & 5"

OTHER SPECIFICATIONS:

Height of hinge:
3.50 + .000 for 3-1/2"
- .015

Width:
4.00 ± .015 for 3-1/2" x 4"
5.00 ± .015 for 3-1/2" x 5"

3-1/2" WIDE THROW STANDARD SCREW SIZE
FHMS - 12-24 x 1/2"
FHWS - 12 x 1-1/4"

ALL ITEMS ABOVE CAN BE MADE IN THREE OR FIVE KNUCKLE CONFIGURATION.

PACKAGING INFORMATION:

One hinge per plastic bag, 3 hinges and 1 screw pack per unit carton.
11 unit carton or 33 hinges per master shipping carton.
1 screw pack includes all machine screws (24), and 1/2 wood screws (12). ATMS & AWS also available.

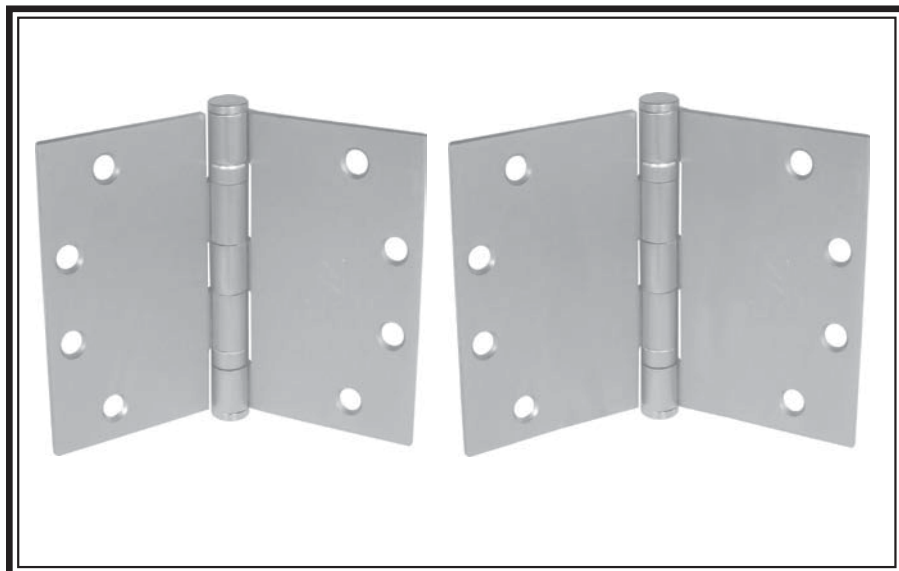


FULL MORTISE TEMPLATE BALL BEARING

STANDARD WEIGHT WIDE THROW

4" x 4 1/2" 4" x 5" 4" x 6"

I6



WTBB81 (ANSI A8112)
Steel-Polished and Plated or Bonderized and Prime Coated for Painting.

WTBB21 (ANSI A2112)
Brass-Polished and Plated

WTBB51 (ANSI A5112)
Stainless Steel-Polished and Satin Finish

- For use on medium weight doors requiring average frequency service.
- For use where doors must clear molding or protrusion, positioning the door out further, when open.
- For hospital type, add HT to suffix of part number.
- All hinges are ANSI template.

GENERAL PRODUCT INFORMATION: PBB, Inc. template hinges are manufactured to close tolerances and meet all specifications and requirements set by the American National Standards Institute (ANSI).

HINGE SWAGING: A standard swaging of our standard weight full mortise hinge when closed to parallel position provides a 3/32" clearance between leaves.

MATERIAL GAUGE:
.130 ± .005 for 4" x 4-1/2", 5", 6"

OTHER SPECIFICATIONS:

Height of hinge:
4.00 + .000 for 4"
 - .015

Width:
4.50 ± .015 for 4" x 4-1/2"
5.00 ± .015 for 4" x 5"
6.00 ± .015 for 4" x 6"

4" WIDE THROW STANDARD SCREW SIZE
FHMS - 12-24 x 1/2"
FHWS - 12 x 1-1/4"

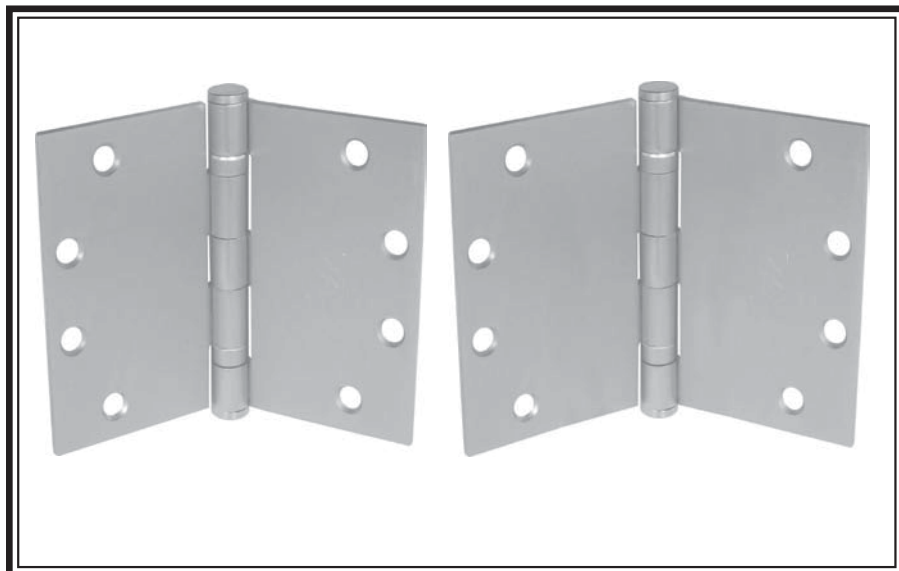
ALL ITEMS ABOVE CAN BE MADE IN THREE OR FIVE KNUCKLE CONFIGURATION.

PACKAGING INFORMATION:

One hinge per plastic bag, 3 hinges and 1 screw pack per unit carton.
11 unit carton or 33 hinges per master shipping carton.
1 screw pack includes all machine screws (24), and 1/2 wood screws (12). ATMS & AWS also available.



FULL MORTISE TEMPLATE BALL BEARING
STANDARD WEIGHT WIDE THROWS
4 1/2" x 5" 4 1/2" x 6" 4 1/2" x 7" 4 1/2" x 8"



WTBB81 (ANSI A8112)
Steel-Polished and Plated or Bonderized and Prime Coated for Painting.

WTBB21 (ANSI A2112)
Brass-Polished and Plated

WTBB51 (ANSI A5112)
Stainless Steel-Polished and Satin Finish

- For use on medium weight doors requiring average frequency service.
- For use where doors must clear molding or protrusion, positioning the door out further, when open.
- For hospital type, add HT to suffix of part number.
- All hinges are ANSI template.

GENERAL PRODUCT INFORMATION: PBB, Inc. template hinges are manufactured to close tolerances and meet all specifications and requirements set by the American National Standards Institute (ANSI).

HINGE SWAGING: A standard swaging of our standard weight full mortise hinge when closed to parallel position provides a 1/16" clearance between leaves.

MATERIAL GAUGE:
.134 ± .005 for 4-1/2" x 5", 6", 7", 8"

OTHER SPECIFICATIONS:

Height of hinge:
4.50 ^{+ .000} / _{-.015} for 4-1/2"

Width:
5.00 ± .015 for 4-1/2" x 5"
6.00 ± .015 for 4-1/2" x 6"
7.00 ± .015 for 4-1/2" x 7"
8.00 ± .015 for 4-1/2" x 8"

4-1/2" WIDE THROW STANDARD SCREW SIZE
FHMS - 12-24 x 1/2"
FHWS - 12 x 1-1/4"

ALL ITEMS ABOVE CAN BE MADE IN THREE OR FIVE KNUCKLE CONFIGURATION.

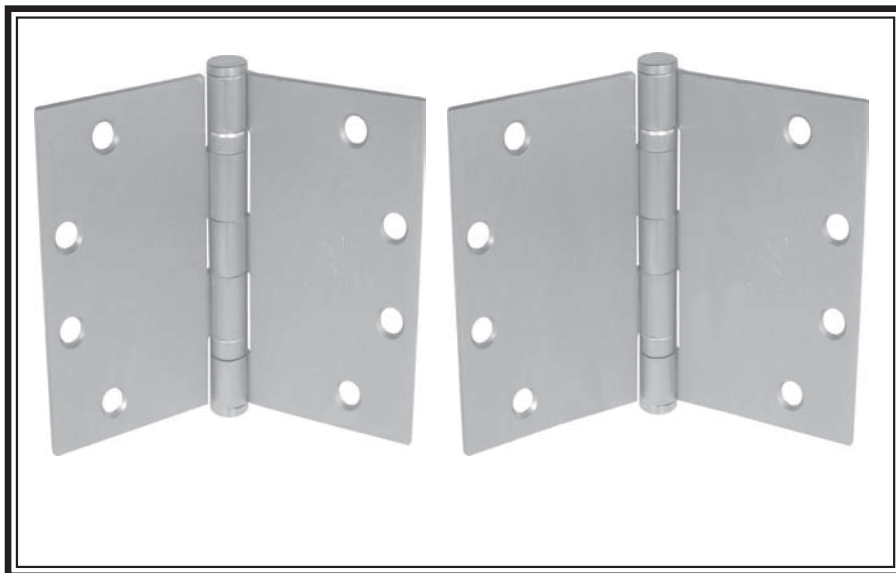
PACKAGING INFORMATION:

One hinge per plastic bag, 3 hinges and 1 screw pack per unit carton.
8 unit carton or 24 hinges per master shipping carton.
1 screw pack includes all machine screws (24), and 1/2 wood screws (12). ATMS & AWS also available.



FULL MORTISE TEMPLATE BALL BEARING
STANDARD WEIGHT WIDE THROW
5" x 6" 5" x 7" 5" x 8"

I8



WTBB81 (ANSI A8112)
Steel-Polished and Plated or Bonderized and Prime Coated for Painting.

WTBB21 (ANSI A2112)
Brass-Polished and Plated

WTBB51 (ANSI A5112)
Stainless Steel-Polished and Satin Finish

- For use on medium weight doors requiring average frequency service.
- For use where doors must clear molding or protrusion, positioning the door out further, when open.
- For hospital type, add HT to suffix of part number.
- All hinges are ANSI template.

GENERAL PRODUCT INFORMATION: PBB, Inc. template hinges are manufactured to close tolerances and meet all specifications and requirements set by the American National Standards Institute (ANSI).

OTHER SPECIFICATIONS:

Height of hinge:
5.00 + .000 for 5"
- .015

Width:
6.00 ± .015 for 5" x 6"
7.00 ± .015 for 5" x 7"
8.00 ± .015 for 5" x 8"

HINGE SWAGING: A standard swaging of our standard weight full mortise hinge when closed to parallel position provides a 3/32" clearance between leaves.

MATERIAL GAUGE:
.146 ± .005 for 5" x 6", 7", 8"

5" WIDE THROW STANDARD SCREW SIZE
FHMS - 12-24 x 1/2"
FHWS - 12 x 1-1/4"

ALL ITEMS ABOVE CAN BE MADE IN THREE OR FIVE KNUCKLE CONFIGURATION.

PACKAGING INFORMATION:

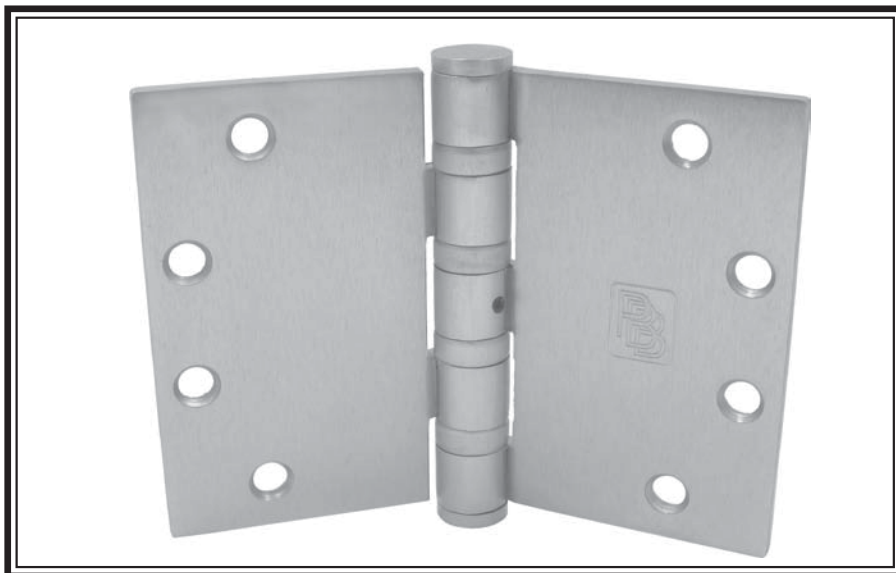
One hinge per plastic bag, 3 hinges and 1 screw pack per unit carton.
8 unit carton or 24 hinges per master shipping carton.
1 screw pack includes all machine screws (24), and 1/2 wood screws (12). ATMS & AWS also available.



FULL MORTISE TEMPLATE BALL BEARING

HEAVY WEIGHT WIDE THROW

4 1/2" x 5" 4 1/2" x 6" 4 1/2" x 7" 4 1/2" x 8"



WT4B81 (ANSI A8111)
Steel-Polished and Plated or Bonderized and Prime Coated for Painting.

WT4B21 (ANSI A2111)
Brass-Polished and Plated

WT4B51 (ANSI A5111)
Stainless Steel-Polished and Satin Finish

- For use on heavy weight doors requiring high frequency service.
- For use where doors must clear molding or protrusion, positioning the door out further, when open.
- For hospital type, add HT to suffix of part number.
- All hinges are ANSI template.

GENERAL PRODUCT INFORMATION: PBB, Inc. template hinges are manufactured to close tolerances and meet all specifications and requirements set by the American National Standards Institute (ANSI).

HINGE SWAGING: A standard swaging of our heavy weight full mortise hinge when closed to parallel position provides a 3/32" clearance between leaves.

MATERIAL GAUGE:
.180 ± .005 for 4-1/2" x 5", 6", 7", 8"

OTHER SPECIFICATIONS:

Height of hinge:
4.50 ^{+ .000} / _{-.015} for 4-1/2"

Width:
5.00 ± .015 for 4-1/2" x 5"
6.00 ± .015 for 4-1/2" x 6"
7.00 ± .015 for 4-1/2" x 7"
8.00 ± .015 for 4-1/2" x 8"

4-1/2" WIDE THROW STANDARD SCREW SIZE
FHMS - 12-24 x 1/2"
FHWS - 12 x 1-1/4"

ALL ITEMS ABOVE CAN BE MADE IN THREE OR FIVE KNUCKLE CONFIGURATION.

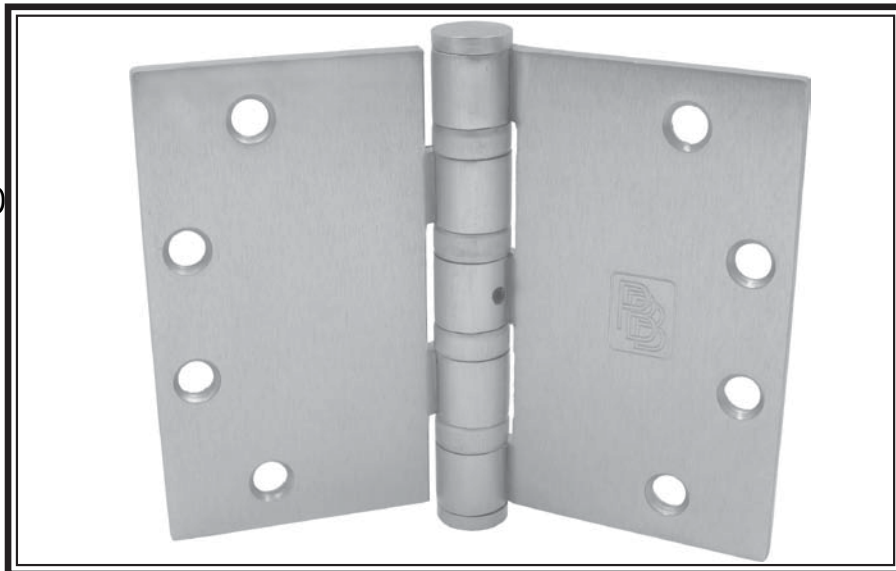
PACKAGING INFORMATION:

One hinge per plastic bag, 3 hinges and 1 screw pack per unit carton.
8 unit carton or 24 hinges per master shipping carton.
1 screw pack includes all machine screws (24), and 1/2 wood screws (12). ATMS & AWS also available.



FULL MORTISE TEMPLATE BALL BEARING

HEAVY WEIGHT WIDE THROW
5" x 6" 5" x 7" 5" x 8"



I-10

WT4B81 (ANSI A8111)
Steel-Polished and Plated or Bonderized and Prime Coated for Painting.

WT4B21 (ANSI A2111)
Brass-Polished and Plated

WT4B51 (ANSI A5111)
Stainless Steel-Polished and Satin Finish

- For use on heavy weight doors requiring high frequency service.
- For use where doors must clear molding or protrusion, positioning the door out further, when open.
- For hospital type, add HT to suffix of part number.
- All hinges are ANSI template.

GENERAL PRODUCT INFORMATION: PBB, Inc. template hinges are manufactured to close tolerances and meet all specifications and requirements set by the American National Standards Institute (ANSI).

HINGE SWAGING: A standard swaging of our heavy weight full mortise hinge when closed to parallel position provides a 3/32" clearance between leaves.

MATERIAL GAUGE:
.190 ± .005 for 5" x 6", 7", 8"

OTHER SPECIFICATIONS:

Height of hinge:
5.00 $\begin{matrix} + .000 \\ - .015 \end{matrix}$ for 5"

Width:
6.00 ± .015 for 5" x 6"
7.00 ± .015 for 5" x 7"
8.00 ± .015 for 5" x 8"

5" WIDE THROW STANDARD SCREW SIZE
FHMS - 12-24 x 1/2"
FHWS - 12 x 1-1/4"

ALL ITEMS ABOVE CAN BE MADE IN THREE OR FIVE KNUCKLE CONFIGURATION.

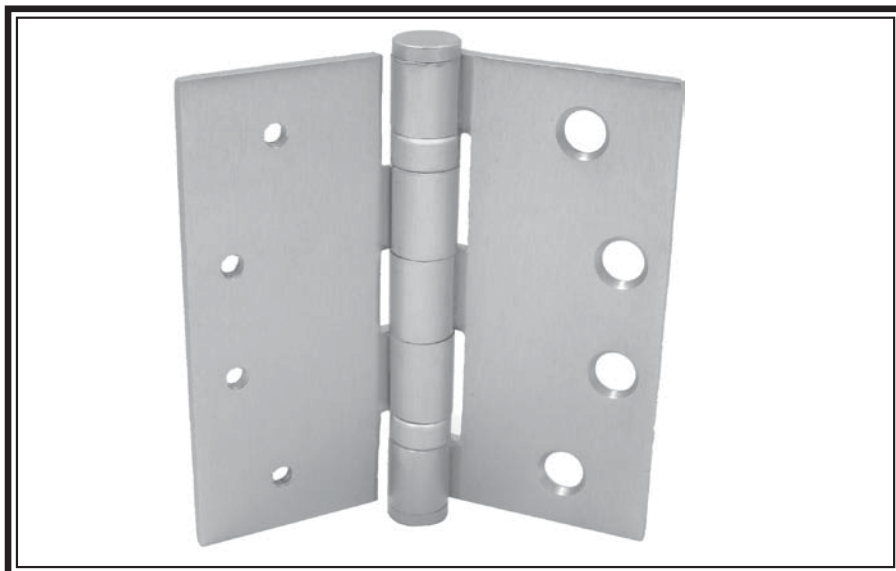
PACKAGING INFORMATION:

One hinge per plastic bag, 3 hinges and 1 screw pack per unit carton.
8 unit carton or 24 hinges per master shipping carton.
1 screw pack includes all machine screws (24), and 1/2 wood screws (12). ATMS & AWS also available.



FULL MORTISE 3/16" INSERT BALL BEARING

STANDARD WEIGHT
4 1/2" x 4" 4 1/2" x 4 1/2"



GENERAL PRODUCT INFORMATION: PBB, Inc. template hinges are manufactured to close tolerances and meet all specifications and requirements set by the American National Standards Institute (ANSI).

HINGE SWAGING: A standard swaging of our standard weight full mortise hinge when closed to parallel position provides a 3/16" clearance between leaves.

MATERIAL GAUGE:
.134 ± .005 for 4-1/2" x 4"
.134 ± .005 for 4-1/2" x 4-1/2"

IT81 (ANSI A8112)
Steel-Polished and Plated or Bonderized and Prime Coated for Painting.

IT21 (ANSI A2112)
Brass-Polished and Plated

IT51 (ANSI A5112)
Stainless Steel-Polished and Satin Finish



- Hinges are handed, specify handing.
- For use on aluminum doors with aluminum frames.
- Hinge is designed to insert in slot in the door or frame.
- For use on medium weight doors or doors requiring average frequency service.
- Ball bearing hinges must be used on doors in conjunction with door closers and on all fire rated openings.
- For hospital type, add HT to suffix of part number.
- All hinges are ANSI template.

OTHER SPECIFICATIONS:

Height of hinge:	+ .000	
	4.50 - .015	for 4-1/2" x 4"
	+ .000	
	4.50 - .015	for 4 1/2" x 4-1/2"
Width:		
	4.00 ± .015	for 4-1/2" x 4"
	4.50 ± .015	for 4-1/2" x 4-1/2"

4-1/2" STANDARD SCREW SIZE
FHMS - 12-24 x 1/2"
FHWS - 12 x 1-1/4"

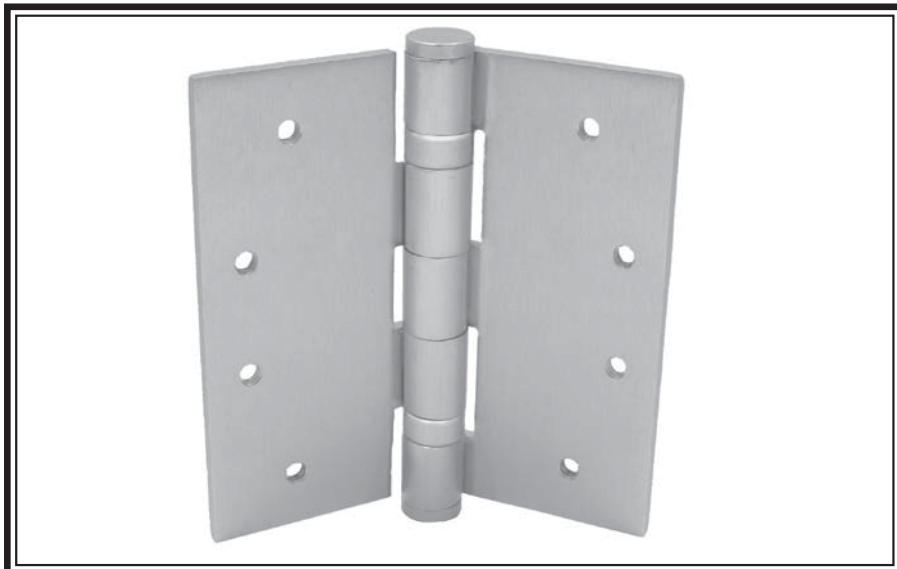
PACKAGING INFORMATION:

One hinge per plastic bag, 3 hinges and 1 screw pack per unit carton.
16 unit carton or 48 hinges per master shipping carton.
1 screw pack includes 1/2 machine screws (12), and 1/2 wood screws (12).



FULL MORTISE 5/16" INSERT BALL BEARING

STANDARD WEIGHT
4 1/2" x 4" 4 1/2" x 4 1/2"



J2

IF81 (ANSI A8112)
Steel-Polished and Plated or Bonderized and Prime Coated for Painting.

IF21 (ANSI A2112)
Brass-Polished and Plated

IF51 (ANSI A5112)
Stainless Steel-Polished and Satin Finish

- Hinges are handed, specify handing.
- For use on aluminum doors with aluminum frames.
- Hinge is designed to insert in slot in the door or frame.
- For use on medium weight doors or doors requiring average frequency service.
- Ball bearing hinges must be used on doors in conjunction with door closers and on all fire rated openings.
- For hospital type, add HT to suffix of part number.
- All hinges are ANSI template.

GENERAL PRODUCT INFORMATION: PBB, Inc. template hinges are manufactured to close tolerances and meet all specifications and requirements set by the American National Standards Institute (ANSI).

HINGE SWAGING: A standard swaging of our standard weight full mortise hinge when closed to parallel position provides a 5/16" clearance between leaves.

OTHER SPECIFICATIONS:

Height of hinge:	+ .000	
	4.50 - .015	for 4-1/2" x 4"
	+ .000	
	4.50 - .015	for 4 1/2" x 4-1/2"
Width:		
	4.00 ± .015	for 4-1/2" x 4"
	4.50 ± .015	for 4-1/2" x 4-1/2"

MATERIAL GAUGE:

.134 ± .005 for 4-1/2" x 4"
.134 ± .005 for 4-1/2" x 4-1/2"

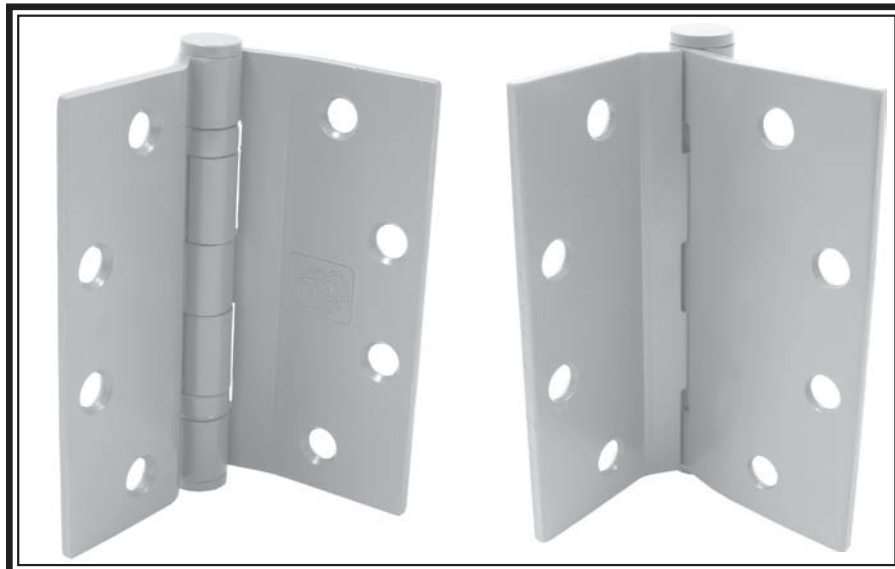
4-1/2" STANDARD SCREW SIZE
FHMS - 12-24 x 1/2"
FHWS - 12 x 1-1/4"

PACKAGING INFORMATION:

One hinge per plastic bag, 3 hinges and 1 screw pack per unit carton.
16 unit carton or 48 hinges per master shipping carton.
1 screw pack includes all machine screws (24).



FULL MORTISE TEMPLATE RAISED BARREL BALL BEARING
STANDARD WEIGHT
4 1/2" x 4 1/2"



GENERAL PRODUCT INFORMATION: PBB, Inc. template hinges are manufactured to close tolerances and meet all specifications and requirements set by the American National Standards Institute (ANSI).

HINGE SWAGING: A standard swaging of our standard weight full mortise hinge when closed to parallel position provides a 1/16" clearance between leaves.

MATERIAL GAUGE:
.134 ± .005 for 4-1/2" x 4-1/2"

BBRB81 (ANSI A8112)
Steel-Polished and Plated or Bonderized and Prime Coated for Painting.

BBRB51 (ANSI A5112)
Stainless Steel-Polished and Satin Finish

- For doors in deep reveals requiring 90° to 110° swing.
- Offset barrel moves pivot point away from jamb
- For use on medium weight doors or doors requiring average frequency service.
- Ball bearing hinges must be used on doors in conjunction with door closers and on all fire rated openings.
- For hospital type, add HT to suffix of part number.
- Hinges are handed
- Specify bevel or square
- Specify handing
- All hinges are ANSI template.

J3

OTHER SPECIFICATIONS:

Height of hinge:
4.50 + .000
 - .015 for 4 1/2" x 4-1/2"

Width:
-See template for exact dimensions.

4-1/2" STANDARD SCREW SIZE
FHMS - 12-24 x 1/2"
FHWS - 12 x 1-1/4"

PACKAGING INFORMATION:

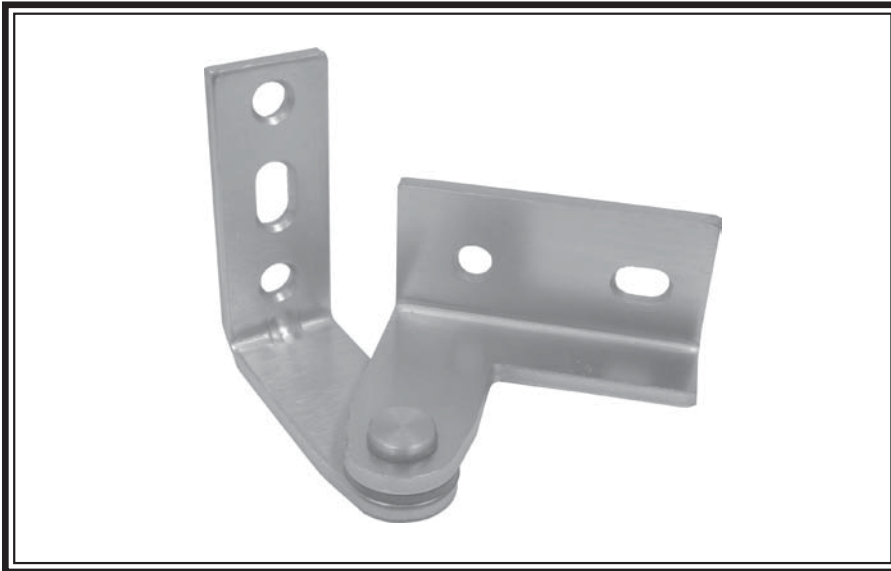
One hinge per plastic bag, 3 hinges and 1 screw pack per unit carton.
16 unit carton or 48 hinges per master shipping carton.
1 screw pack includes all machine screws (24), and 1/2 wood screws (12). ATMS & AWS also available.



EXTRA HEAVY DUTY BEARING PIVOT HINGE

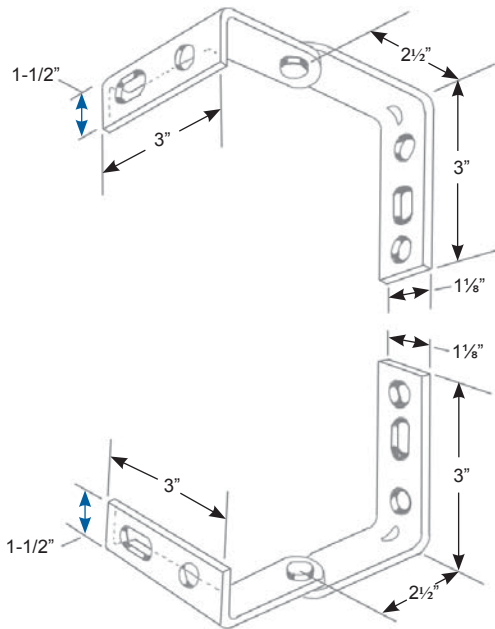
HEAVY WEIGHT

J4

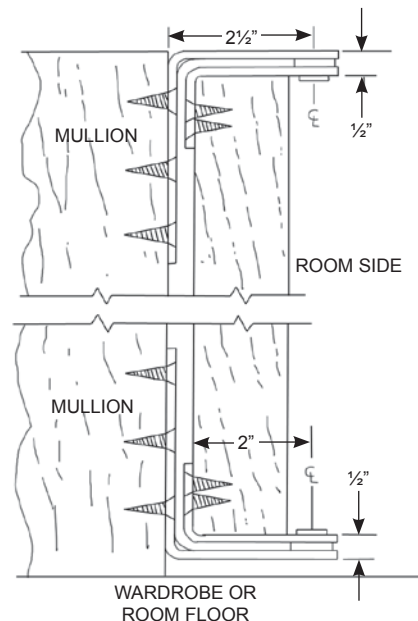


PV872 (ANSI A8782)
Steel - Polished and Plated or Bonderized and Prime Coated for Painting.

- Full 180 degree opening
- For doors up to 150 lbs
- For doors 1-3/8" to 1-3/4" thick
- Made from extra heavy .190 gauge steel
- Bearings take both vertical and lateral loads
- PV872 comes in a set
- PV872 is reversible use on doors of either hand



- Ideal for plastic laminated doors and wardrobe doors
- Designed for mullion mounting
- Doors can be installed floor to ceiling
- Screw holes allow both vertical and horizontal adjustment
- Extra long screws for secure attachment



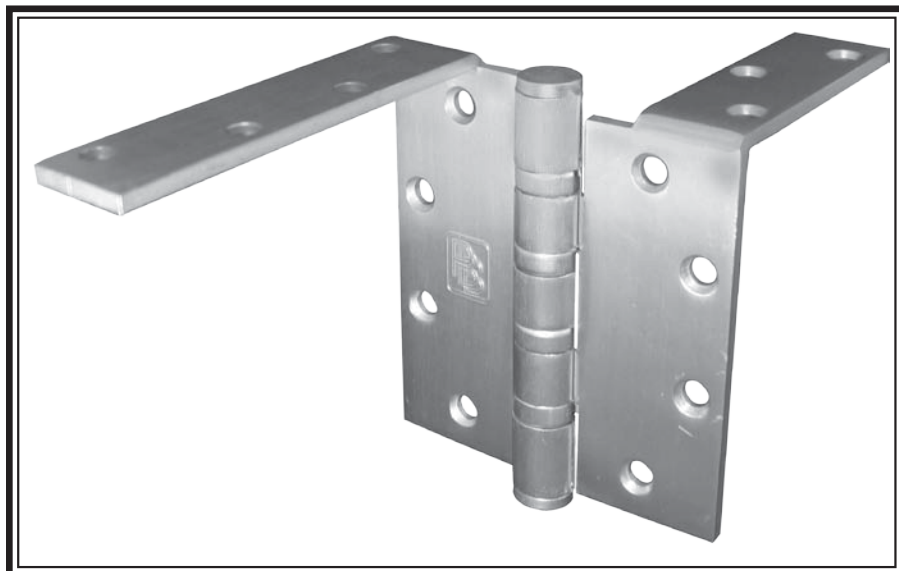
PV872 SCREW SIZE
FHWS - 12 x 1-1/2"

Set consists of one top and one bottom hinge / one pack screws / Installation instructions



ANCHOR HINGE/FIVE KNUCKLE BALL BEARING

HEAVY WEIGHT
5" x 4 1/2"



AA4B81 (ANSI A8511)
Steel-Polished and Plated or Bonderized and Prime Coated for Painting.

AA4B21 (ANSI A2511)
Brass-Polished and Plated

AA4B51 (ANSI A5511)
Stainless Steel-Polished and Satin Finish

J5

- For use on heavy weight doors receiving high frequency use.

- Four ball bearings

- Two anchor leaves

- Non-removable pin

- Handed (Specify when ordering)

- Specify square or bevel

- Must be used with one pair of full mortise heavy weight hinges.

- Designed for openings where abuse places unusual strain on door jamb hinges.

- All hinges are ANSI template.

GENERAL PRODUCT INFORMATION: PBB, Inc. template hinges are manufactured to close tolerances and meet all specifications and requirements set by the American National Standards Institute (ANSI).

HINGE SWAGING: A standard swaging of our standard weight full mortise hinge when closed to parallel position provides a 1/16" clearance between leaves.

OTHER SPECIFICATIONS:

Height of hinge: 5.00 ^{+ .000} _{- .015} for 5"

Width: 4.50 ± .015 for 5"

MATERIAL GAUGE:

.190 ± .005 for 5"

DOOR STRAP / FRAME STRAP:

5.00" x 1.25" / 4.00" x 1.25"

5" STANDARD SCREW SIZE
FHMS - 12-24 x 1/2"
FHWS - 12 x 1-1/4"

PACKAGING INFORMATION:

One hinge per plastic bag, 3 hinges and 1 screw pack per unit carton.

16 unit cartons or 48 hinges per master shipping carton.

1 screw pack includes all machine screws (24), and 1/2 wood screws (12). ATMS & AWS also available.



ANCHOR HINGE/THREE KNUCKLE CONCEALED BEARING

HEAVY WEIGHT
5" x 4 1/2"



J6

GENERAL PRODUCT INFORMATION: PBB, Inc. template hinges are manufactured to close tolerances and meet all specifications and requirements set by the American National Standards Institute (ANSI).

HINGE SWAGING: A standard swaging of our standard weight full mortise hinge when closed to parallel position provides a 1/16" clearance between leaves.

MATERIAL GAUGE:
 .190 ± .005 for 5"

DOOR STRAP / FRAME STRAP:
 5.00" x 1.25" / 4.00" x 1.25"

AA4C81 (ANSI A8511)
Steel-Polished and Plated or Bonderized and Prime Coated for Painting.

AA4C21 (ANSI A2511)
Brass-Polished and Plated

AA4C51 (ANSI A5511)
Stainless Steel-Polished and Satin Finish

- For use on heavy weight doors receiving high frequency use.
- Four ball bearings
- Two anchor leaves
- Non-removable pin
- Handed (Specify when ordering)
- Specify square or bevel
- Must be used with one pair of full mortise heavy weight hinges.
- Designed for openings where abuse places unusual strain on door jamb hinges.
- All hinges are ANSI template.

OTHER SPECIFICATIONS:

Height of hinge: + .000
 5.00 - .015 for 5"

Width:
 4.50 ± .015 for 5"

5" STANDARD SCREW SIZE
FHMS - 12-24 x 1/2" FHWS - 12 x 1-1/4"

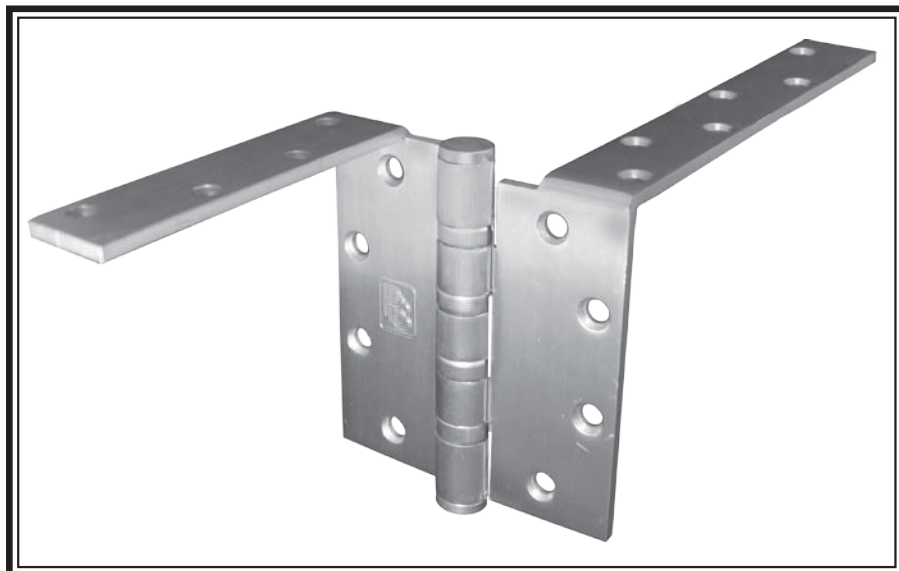
PACKAGING INFORMATION:

One hinge per plastic bag, 3 hinges and 1 screw pack per unit carton.
 16 unit cartons or 48 hinges per master shipping carton.
 1 screw pack includes all machine screws (24), and 1/2 wood screws (12). ATMS & AWS also available.



ANCHOR HINGE/FIVE KNUCKLE BALL BEARING

HEAVY WEIGHT
5" x 4 1/2"



AB4B81 (ANSI A8511)
Steel-Polished and Plated or Bonderized and Prime Coated for Painting.

AB4B21 (ANSI A2511)
Brass-Polished and Plated

AB4B51 (ANSI A5511)
Stainless Steel-Polished and Satin Finish

J7

- For use on heavy weight doors receiving high frequency use.

- Four ball bearings

- Two anchor leaves

- Non-removable pin

- Handed (Specify when ordering)

- Specify square or bevel

- Must be used with one pair of full mortise heavy weight hinges.

- Designed for openings where abuse places unusual strain on door jamb hinges.

- All hinges are ANSI template.

GENERAL PRODUCT INFORMATION: PBB, Inc. template hinges are manufactured to close tolerances and meet all specifications and requirements set by the American National Standards Institute (ANSI).

HINGE SWAGING: A standard swaging of our standard weight full mortise hinge when closed to parallel position provides a 1/16" clearance between leaves.

OTHER SPECIFICATIONS:

Height of hinge: + .000
5.00 - .015 for 5"

Width:
4.50 ± .015 for 5"

MATERIAL GAUGE:

.190 ± .005 for 5"

DOOR STRAP / FRAME STRAP:

5.00" x 1.25" / 7.5" x 1.25"

5" STANDARD SCREW SIZE
FHMS - 12-24 x 1/2"
FHWS - 12 x 1-1/4"

PACKAGING INFORMATION:

One hinge per plastic bag, 3 hinges and 1 screw pack per unit carton.

16 unit cartons or 48 hinges per master shipping carton.

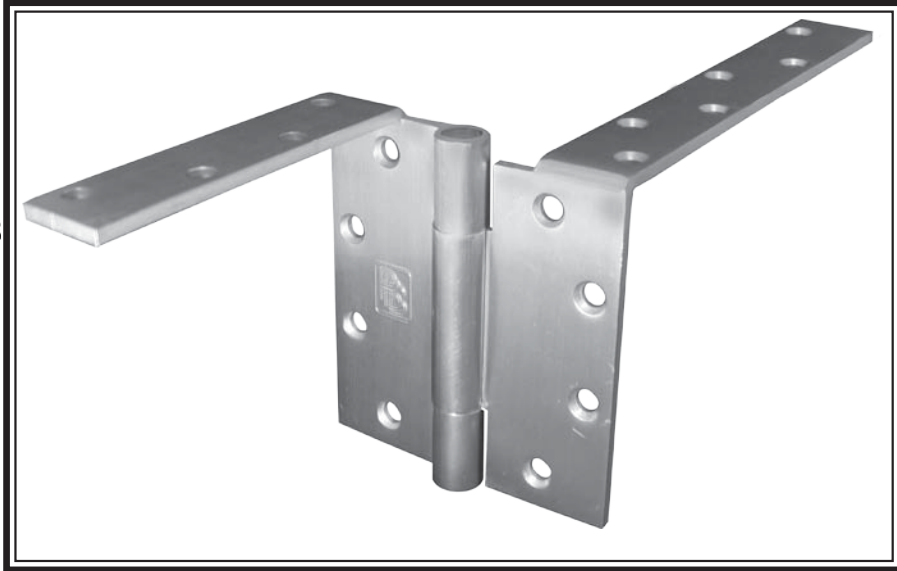
1 screw pack includes all machine screws (24), and 1/2 wood screws (12). ATMS & AWS also available.



ANCHOR HINGE/THREE KNUCKLE CONCEALED BEARING

HEAVY WEIGHT
5" x 4 1/2"

J8



GENERAL PRODUCT INFORMATION: PBB, Inc. template hinges are manufactured to close tolerances and meet all specifications and requirements set by the American National Standards Institute (ANSI).

HINGE SWAGING: A standard swaging of our standard weight full mortise hinge when closed to parallel position provides a 1/16" clearance between leaves.

MATERIAL GAUGE:
.190 ± .005 for 5"

DOOR STRAP / FRAME STRAP:
5.00" x 1.25" / 7.5" x 1.25"

AB4C81 (ANSI A8511)
Steel-Polished and Plated or Bonderized and Prime Coated for Painting.

AB4C21 (ANSI A2511)
Brass-Polished and Plated

AB4C51 (ANSI A5511)
Stainless Steel-Polished and Satin Finish

- For use on heavy weight doors receiving high frequency use.
- Four ball bearings
- Two anchor leaves
- Non-removable pin
- Handed (Specify when ordering)
- Specify square or bevel
- Must be used with one pair of full mortise heavy weight hinges.
- Designed for openings where abuse places unusual strain on door jamb hinges.
- All hinges are ANSI template.

OTHER SPECIFICATIONS:

Height of hinge:
5.00 + .000
- .015 for 5"

Width:
4.50 ± .015 for 5"

5" STANDARD SCREW SIZE
FHMS - 12-24 x 1/2"
FHWS - 12 x 1-1/4"

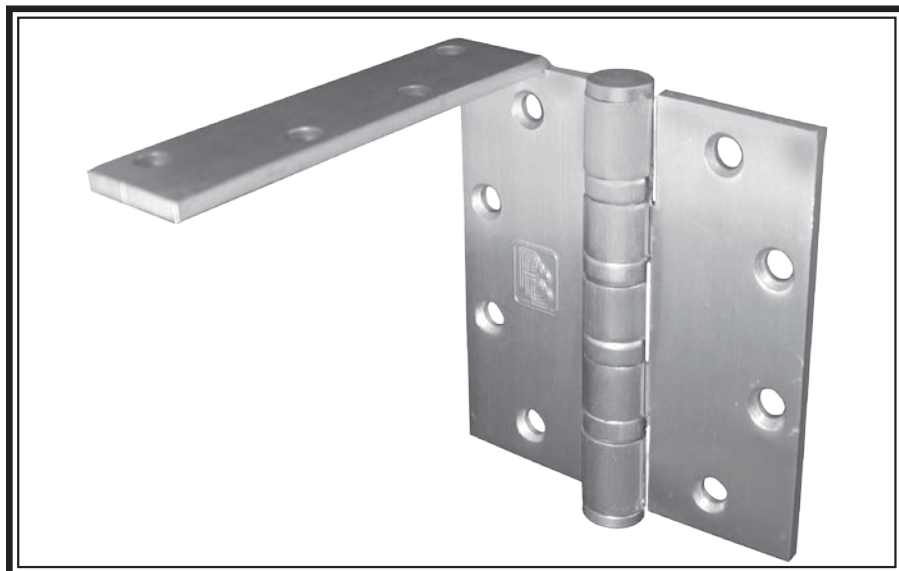
PACKAGING INFORMATION:

One hinge per plastic bag, 3 hinges and 1 screw pack per unit carton.
16 unit cartons or 48 hinges per master shipping carton.
1 screw pack includes all machine screws (24), and 1/2 wood screws (12). ATMS & AWS also available.



ANCHOR HINGE/FIVE KNUCKLE BALL BEARING

HEAVY WEIGHT
5" x 4 1/2"



AC4B81 (ANSI A8511)
Steel-Polished and Plated or Bonderized and Prime Coated for Painting.

AC4B21 (ANSI A2511)
Brass-Polished and Plated

AC4B51 (ANSI A5511)
Stainless Steel-Polished and Satin Finish

J9

- For use on heavy weight doors receiving high frequency use.
- Four ball bearings
- One anchor leaf
- Non-removable pin
- Handed (Specify when ordering)
- Specify square or bevel
- Must be used with one pair of full mortise heavy weight hinges.
- Designed for openings where abuse places unusual strain on door jamb hinges.
- All hinges are ANSI template.

GENERAL PRODUCT INFORMATION: PBB, Inc. template hinges are manufactured to close tolerances and meet all specifications and requirements set by the American National Standards Institute (ANSI).

HINGE SWAGING: A standard swaging of our standard weight full mortise hinge when closed to parallel position provides a 1/16" clearance between leaves.

OTHER SPECIFICATIONS:

Height of hinge: + .000
 5.00 - .015 for 5"

Width: 4.50 ± .015 for 5"

MATERIAL GAUGE:

.190 ± .005 for 5"

DOOR STRAP:

5.00" x 1.25"

5" STANDARD SCREW SIZE
FHMS - 12-24 x 1/2"
FHWS - 12 x 1-1/4"

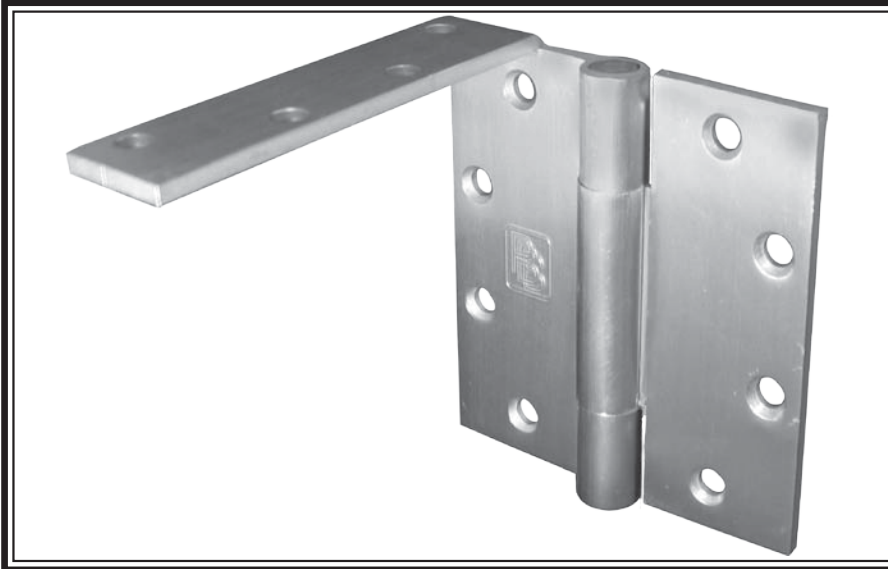
PACKAGING INFORMATION:

One hinge per plastic bag, 3 hinges and 1 screw pack per unit carton.
 16 unit cartons or 48 hinges per master shipping carton.
 1 screw pack includes all machine screws (24), and 1/2 wood screws (12). ATMS & AWS also available.



ANCHOR HINGE/THREE KNUCKLE CONCEALED BEARING
HEAVY WEIGHT
5" x 4 1/2"

J10



AC4C81 (ANSI A8511)
Steel-Polished and Plated or Bonderized and Prime Coated for Painting.

AC4C21 (ANSI A2511)
Brass-Polished and Plated

AC4C51 (ANSI A5511)
Stainless Steel-Polished and Satin Finish

- For use on heavy weight doors receiving high frequency use.
- Four ball bearings
- One anchor leaf
- Non-removable pin
- Handed (Specify when ordering)
- Specify square or bevel
- Must be used with one pair of full mortise heavy weight hinges.
- Designed for openings where abuse places unusual strain on door jamb hinges.
- All hinges are ANSI template.

GENERAL PRODUCT INFORMATION: PBB, Inc. template hinges are manufactured to close tolerances and meet all specifications and requirements set by the American National Standards Institute (ANSI).

HINGE SWAGING: A standard swaging of our standard weight full mortise hinge when closed to parallel position provides a 1/16" clearance between leaves.

MATERIAL GAUGE:
 .190 ± .005 for 5"

DOOR STRAP:
 5.00" x 1.25"

OTHER SPECIFICATIONS:

Height of hinge: + .000
 5.00 - .015 for 5"

Width: 4.50 ± .015 for 5"

5" STANDARD SCREW SIZE
FHMS - 12-24 x 1/2"
FHWS - 12 x 1-1/4"

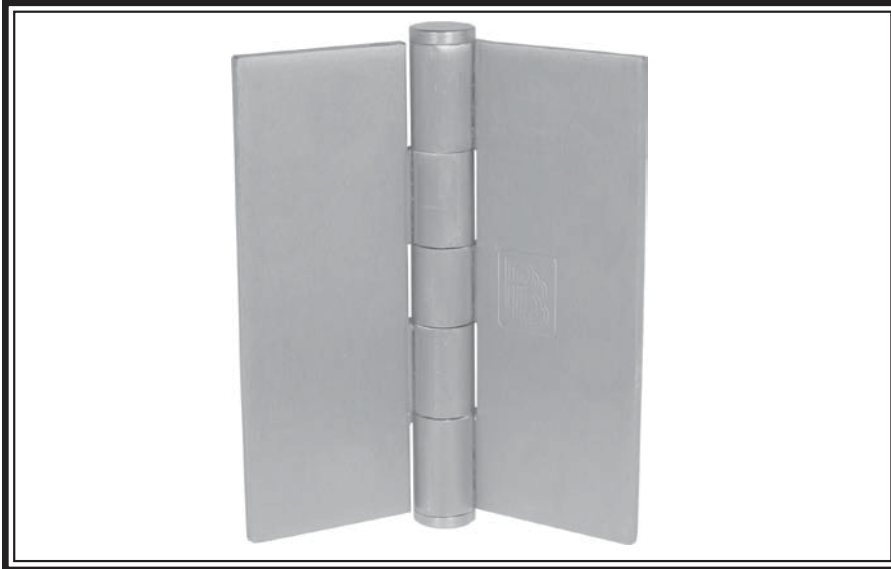
PACKAGING INFORMATION:

One hinge per plastic bag, 3 hinges and 1 screw pack per unit carton.
 16 unit cartons or 48 hinges per master shipping carton.
 1 screw pack includes all machine screws (24), and 1/2 wood screws (12). ATMS & AWS also available.



PLAIN BEARING WELDING BUTT

STANDARD WEIGHT
4 1/2" x 4" 4 1/2" x 4 1/2"



WBPB81

Steel-Bonderized and prime coated, zinc plated or plain steel

- Furnished flat back
- Furnished with loose pin
- Button pin available
- Special hole locations can be supplied if specified. **K1**
- For use on medium weight doors or doors requiring low frequency service.
- Not for use with door closer.
- For hospital type, add HT to suffix of part number.

GENERAL PRODUCT INFORMATION: PBB, Inc. template hinges are manufactured to close tolerances and meet all specifications and requirements set by the American National Standards Institute (ANSI).

HINGE SWAGING: PBB can swage hinge to any application to fit your requirement. Please specify when ordering.

MATERIAL GAUGE:

- .134 ± .005 for 4-1/2" x 4"
- .134 ± .005 for 4-1/2" x 4-1/2"

OTHER SPECIFICATIONS:

- Height of hinge:
- | | | |
|------|--------|-----------------|
| 4.50 | + .000 | |
| | - .015 | for 4-1/2" x 4" |
- Width:
- | | | |
|------|--------|---------------------|
| 4.50 | + .000 | for 4-1/2" x 4-1/2" |
| | - .015 | |
- 4.00 ± .015 for 4-1/2" x 4"
- 4.50 ± .015 for 4-1/2" x 4-1/2"

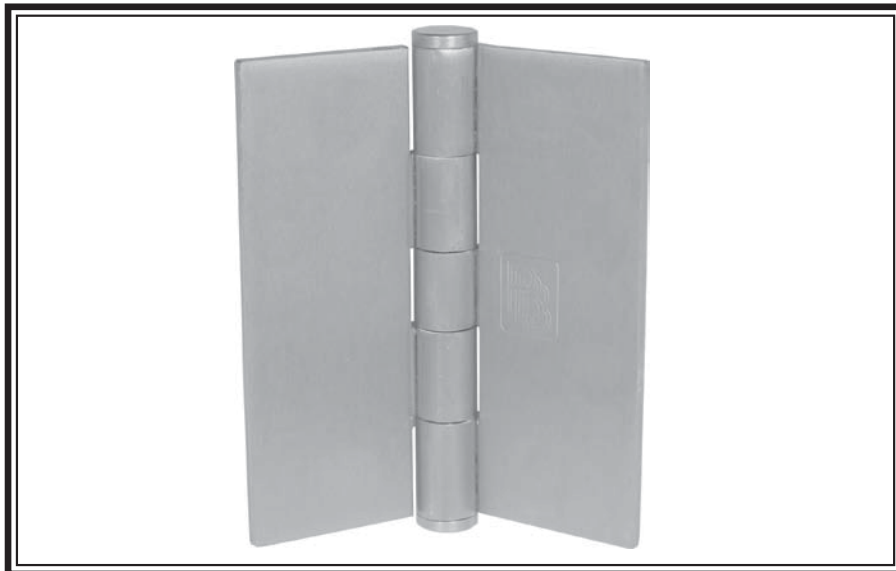
PACKAGING INFORMATION:

One hinge per plastic bag, 3 hinges and 1 screw pack per unit carton.
16 unit carton or 48 hinges per master shipping carton.



PLAIN BEARING WELDING BUTT

STANDARD WEIGHT
5" x 4" 5" x 4 1/2" 5" x 5"



WBPB81

Steel-Bonderized and prime coated, zinc plated or plain steel

- Furnished flat back
- Furnished with loose pin
- Button pin available
- Special hole locations can be supplied if specified.
- For use on medium weight doors or doors requiring low frequency service.
- Not for use with door closer.
- For hospital type, add HT to suffix of part number.

GENERAL PRODUCT INFORMATION: PBB, Inc. template hinges are manufactured to close tolerances and meet all specifications and requirements set by the American National Standards Institute (ANSI).

HINGE SWAGING: PBB can swage hinge to any application to fit your requirement. Please specify when ordering.

MATERIAL GAUGE:

- .146 ± .005 for 5" x 4"
- .146 ± .005 for 5" x 4-1/2"
- .146 ± .005 for 5" x 5"

OTHER SPECIFICATIONS:

Height of hinge:		
	5.00 + .000 - .015	for 5" x 4"
	5.00 + .000 - .015	for 5" x 4-1/2"
	5.00 + .000 - .015	for 5" x 5"

Width:

4.00 ± .015	for 5" x 4"
4.50 ± .015	for 5" x 4-1/2"
5.00 ± .015	for 5" x 5"

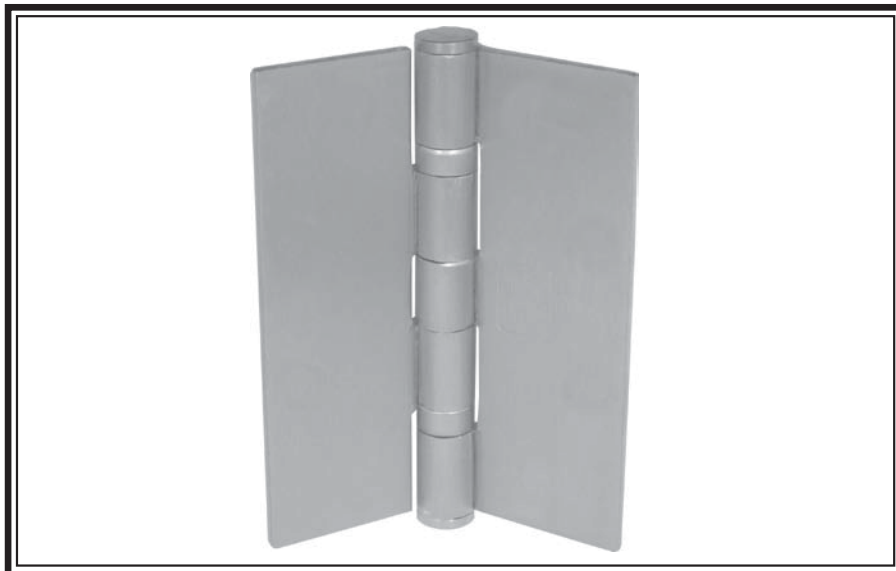
PACKAGING INFORMATION:

One hinge per plastic bag, 3 hinges and 1 screw pack per unit carton.
16 unit carton or 48 hinges per master shipping carton.



BALL BEARING WELDING BUTT

STANDARD WEIGHT
4 1/2" x 4" 4 1/2" x 4 1/2"



WBBB81

Steel-Bonderized and prime coated, zinc plated or plain steel

- Furnished flat back
- Furnished with loose pin
- Button pin available
- Special hole locations can be supplied if specified. **K3**
- For use on medium weight doors or doors requiring average frequency service.
- Ball bearing hinges must be used on doors in conjunction with door closers and on all fire rated openings.
- For hospital type, add HT to suffix of part number.

GENERAL PRODUCT INFORMATION: PBB, Inc. template hinges are manufactured to close tolerances and meet all specifications and requirements set by the American National Standards Institute (ANSI).

HINGE SWAGING: PBB can swage hinge to any application to fit your requirement. Please specify when ordering.

MATERIAL GAUGE:

- .134 ± .005 for 4-1/2" x 4"
- .134 ± .005 for 4-1/2" x 4-1/2"

OTHER SPECIFICATIONS:

Height of hinge:	+ .000	
	4.50 - .015	for 4-1/2" x 4"
Width:	+ .000	
	4.50 - .015	for 4 1/2" x 4-1/2"
	4.00 ± .015	for 4-1/2" x 4"
	4.50 ± .015	for 4-1/2" x 4-1/2"

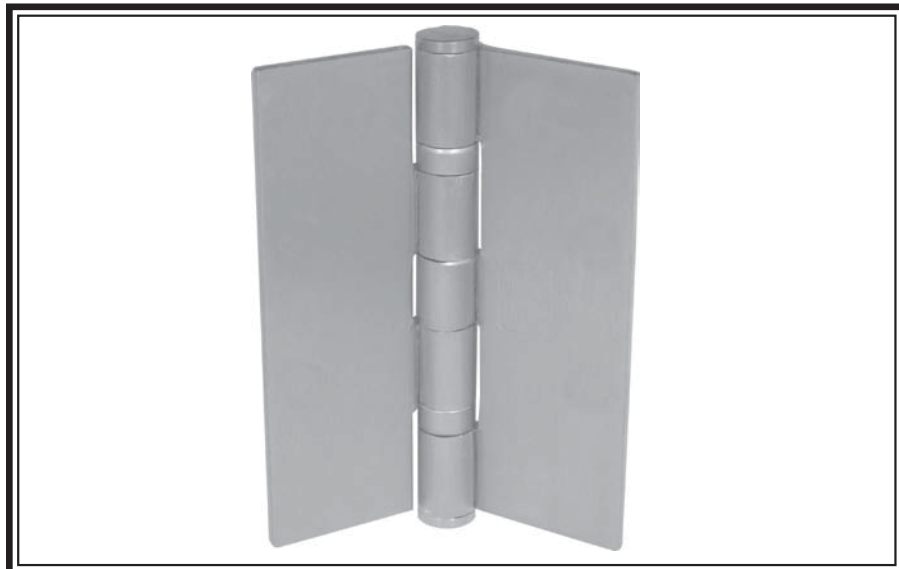
PACKAGING INFORMATION:

One hinge per plastic bag, 3 hinges and 1 screw pack per unit carton.
16 unit carton or 48 hinges per master shipping carton.



BALL BEARING WELDING BUTT

STANDARD WEIGHT
5" x 4" 5" x 4 1/2" 5" x 5"



WBBB81

Steel-Bonderized and prime coated, zinc plated or plain steel

- Furnished flat back
- Furnished with loose pin
- Button pin available
- Special hole locations can be supplied if specified.
- For use on medium weight doors or doors requiring average frequency service.
- Ball bearing hinges must be used on doors in conjunction with door closers and on all fire rated openings.
- For hospital type, add HT to suffix of part number.

GENERAL PRODUCT INFORMATION: PBB, Inc. template hinges are manufactured to close tolerances and meet all specifications and requirements set by the American National Standards Institute (ANSI).

HINGE SWAGING: PBB can swage hinge to any application to fit your requirement. Please specify when ordering.

MATERIAL GAUGE:

- .146 ± .005 for 4-1/2" x 4"
- .146 ± .005 for 4-1/2" x 4-1/2"

OTHER SPECIFICATIONS:

Height of hinge: + .000
5.00 - .015 for 5"

Width:
4.00 ± .015 for 4"
4.50 ± .015 for 4-1/2"
5.00 ± .015 for 5"

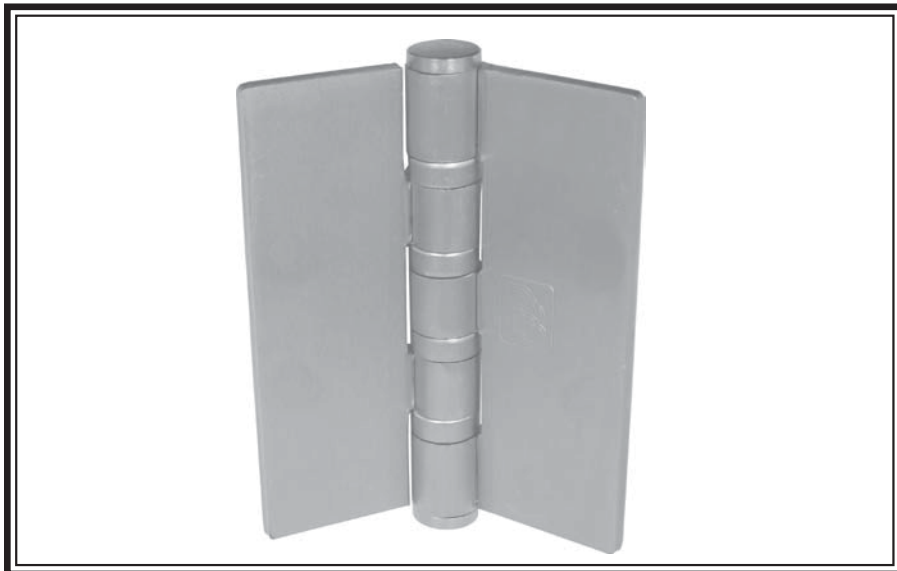
PACKAGING INFORMATION:

One hinge per plastic bag, 3 hinges and 1 screw pack per unit carton.
16 unit carton or 48 hinges per master shipping carton.



BALL BEARING WELDING BUTT

HEAVY WEIGHT
4 1/2" x 4" 4 1/2" x 4 1/2"



WB4B81

Steel-Bonderized and prime coated, zinc plated or plain steel

- Furnished flat back
- Furnished with loose pin
- Button pin available
- Special hole locations can be supplied if specified. **K5**
- For use on heavy weight doors receiving high frequency service.
- Ball bearing hinges must be used on doors in conjunction with door closers and on all fire rated openings.
- For hospital type, add HT to suffix of part number.

GENERAL PRODUCT INFORMATION: PBB, Inc. template hinges are manufactured to close tolerances and meet all specifications and requirements set by the American National Standards Institute (ANSI).

HINGE SWAGING: PBB can swage hinge to any application to fit your requirement. Please specify when ordering.

MATERIAL GAUGE:

- .180 ± .005 for 4-1/2" x 4"
- .180 ± .005 for 4-1/2" x 4-1/2"

OTHER SPECIFICATIONS:

Height of hinge:	+ .000	
	4.50 - .015	for 4-1/2" x 4"
Width:	+ .000	
	4.50 - .015	for 4 1/2" x 4-1/2"
	4.00 ± .015	for 4-1/2" x 4"
	4.50 ± .015	for 4-1/2" x 4-1/2"

PACKAGING INFORMATION:

One hinge per plastic bag, 3 hinges and 1 screw pack per unit carton.
16 unit carton or 48 hinges per master shipping carton.



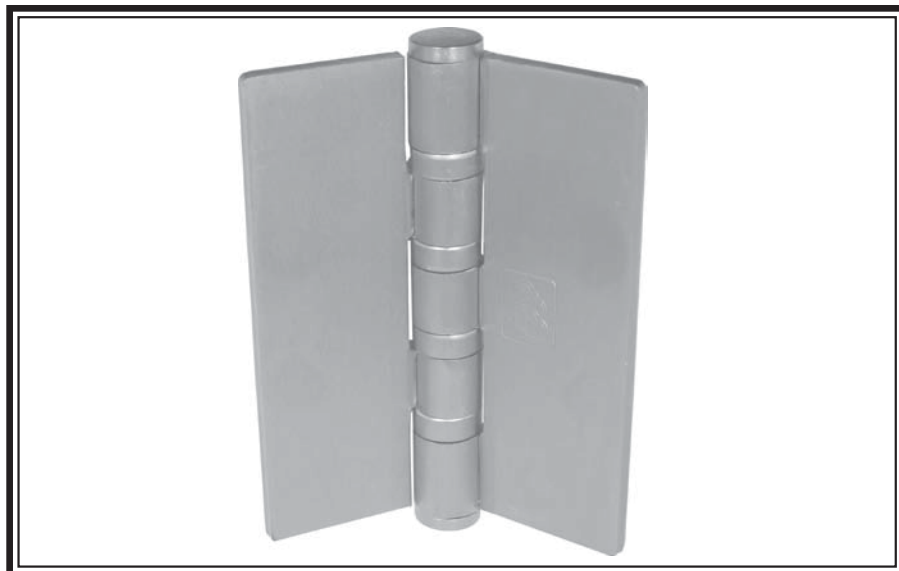
BALL BEARING WELDING BUTT

HEAVY WEIGHT
5" x 4" 5" x 4 1/2" 5" x 5"

WB4B81

Steel-Bonderized and prime coated, zinc plated or plain steel

- Furnished flat back
- Furnished with loose pin
- Button pin available
- Special hole locations can be supplied if specified.
- Recommended for over 3'4" width doors and having a thickness of 2" or more.
- For heavy weight doors receiving high frequency service.
- Ball bearing hinges must be used on doors in conjunction with door closers and on all fire rated openings.
- For hospital type, add HT to suffix of part number.



GENERAL PRODUCT INFORMATION: PBB, Inc. template hinges are manufactured to close tolerances and meet all specifications and requirements set by the American National Standards Institute (ANSI).

HINGE SWAGING: PBB can swage hinge to any application to fit your requirement. Please specify when ordering.

MATERIAL GAUGE:

- .190 ± .005 for 5" x 4"
- .190 ± .005 for 5" x 4-1/2"
- .190 ± .005 for 5" x 5"

OTHER SPECIFICATIONS:

Height of hinge:

- 5.00 + .000 for 5" x 4"
- .015
- 5.00 + .000 for 5" x 4-1/2"
- .015
- 5.00 + .000 for 5" x 5"
- .015

Width:

- 4.00 ± .015 for 5" x 4"
- 4.50 ± .015 for 5" x 4-1/2"
- 5.00 ± .015 for 5" x 5"

PACKAGING INFORMATION:

One hinge per plastic bag, 3 hinges and 1 screw pack per unit carton.
8 unit carton or 24 hinges per master shipping carton.



TABLE OF CONTENTS

Description	Weight	Dimensions	Template	Page #
Full Mortise Template/Non-Template	Residential Weight	3" x 3"	RP30/RPY30: 81, 51, 21	L1
Full Mortise Template/Non-Template	Residential Weight	3.5" x 3.5"	RP35/RPY35: 81, 51, 21	L2
Full Mortise/Non-Template	Residential Weight	4" x 4"	RP40/RPY40: 81, 51, 21	L3
Full Mortise Plain Bearing	Residential Weight	3" x 3"	PB30/PBY30	L4
Full Mortise Template	Standard Weight	3.5" x 3.5"	BB35: 81, 51, 21	L5
Full Mortise Template	Standard Weight	4" x 3", 4" x 4"	BB40: 81, 51, 21	L6
Full Mortise Template	Standard Weight	4.5" x 4", 4.5" x 4.5"	BB45: 81, 51, 21	L7
Full Mortise Template	Standard Weight	5" x 4", 5" x 4.5", 5" x 5"	BB50: 81, 51, 21	L8
Full Mortise Template	Standard Weight	6" x 4.5", 6" x 5", 6" x 6"	BB60: 81, 51, 21	L9
Full Mortise Template	Standard Weight	4.5" x 4", 4.5" x 4.5"	2B45: 81, 51	L10
Full Mortise Template	Heavy Weight	4.5" x 4", 4.5" x 4.5"	4B45: 81, 51, 21	L10
Full Mortise Template	Heavy Weight	5" x 4", 5" x 4.5", 5" x 5"	4B50: 81, 51, 21	L11
Full Mortise Template	Heavy Weight	6" x 4.5", 6" x 5", 6" x 6"	4B60: 81, 51, 21	L12
Full Mortise Template	Heavy Weight	8" x 6", 8" x 8"	4B80: 81, 51, 21	L13
Full Mortise Template	Heavy Weight	4.5" x 4", 4.5" x 4.5"	2H45: 81, 51	L14
Full Mortise Institutional Template	Standard Weight	4.5" x 4.5"	PH45: 51	L15
Full Mortise U.L. Listed Spring Hinge	Residential Weight	3.5" x 3.5"	RS35/RSY35: 81	L16
Full Mortise U.L. Listed Spring Hinge Non-Template	Residential Weight	3.5" x 3.5"	RSY35: 81	L16
Full Mortise U.L. Listed Spring Hinge	Residential Weight	4" x 4"	RS40: 81	L17
Full Mortise U.L. Listed Spring Hinge Non-Template	Residential Weight	4" x 4"	RSY40: 81	L17
Full Mortise U.L. Listed Spring Hinge	Standard Weight	4" x 4"	SP40: 81, 51	L18
Full Mortise U.L. Listed Spring Hinge/Non-Template	Standard Weight	4" x 4"	SPY40: 81, 51	L18
Full Mortise U.L. Listed Spring Hinge	Standard Weight	4.5" x 4", 4.5" x 4.5"	SP45: 81, 51	L19
Full Mortise Single Acting Spring Hinge	Standard Weight	6" x 4.5"	SA8145	L20
Full Mortise Single Acting Spring Hinge	Standard Weight	6" x 6"	SA8160	L21
Full Mortise Single Acting Spring Hinge	Standard Weight	7" x 7"	SA8170	L22
Half Surface Single Acting Spring Hinge	Standard Weight	6" x 6"	SA8460	L23
Half Surface Single Acting Spring Hinge	Standard Weight	7" x 7"	SA8470	L24
Full Mortise Double Acting Spring Hinge	Standard Weight	6" x 4.5"	DA8145	L25-L26
Installation Instruction For All EM/EMW Models				L27
Installation Instruction For All EL Models				L28
Full Mortise Electrical Ball Bearing	Standard Weight	4" x 4"	BB/CB40EL: 81, 51, 21	L29
Full Mortise Electrical Ball Bearing	Standard Weight	4.5" x 4"	BB/CB45EL: 81, 51, 21	L30
Full Mortise Electrical Ball Bearing	Standard Weight	5" x 4", 5" x 4.5", 5" x 5"	BB/CB50EL: 81, 51, 21	L31
Full Mortise Monitor Ball Bearing	Standard Weight	4" x 4"	BB40EM/EMW: 81, 51, 21	L32
Full Mortise Monitor Ball Bearing	Standard Weight	4.5" x 4", 4.5" x 4.5"	BB45EM/EMW: 81, 51, 21	L33
Full Mortise Monitor Ball Bearing	Standard Weight	4.5" x 4", 4.5" x 4.5"	CB45EM/EMW: 81, 51, 21	L34
Full Mortise Monitor Ball Bearing	Standard Weight	5" x 4", 5" x 4.5", 5" x 5"	BB50EM/EMW: 81, 51, 21	L35
Full Mortise Monitor Ball Bearing	Standard Weight	5" x 4", 5" x 4.5", 5" x 5"	CB50EM/EMW: 81, 51, 21	L36
Full Mortise Electrical Ball Bearing	Heavy Weight	4.5" x 4", 4.5" x 4.5"	4B/4C45EL	L37
Full Mortise Electrical Ball Bearing	Heavy Weight	5" x 4", 5" x 4.5", 5" x 5"	4B/4C50EL	L38
Full Mortise Monitor Ball Bearing	Heavy Weight	4.5" x 4", 4.5" x 4.5"	4B/4C45EM/EMW	L39
Full Mortise Monitor Ball Bearing	Heavy Weight	5" x 4", 5" x 4.5", 5" x 5"	4B/4C50EM/EMW	L40
Electrical Hinge Mortar Guard			MBG	L41



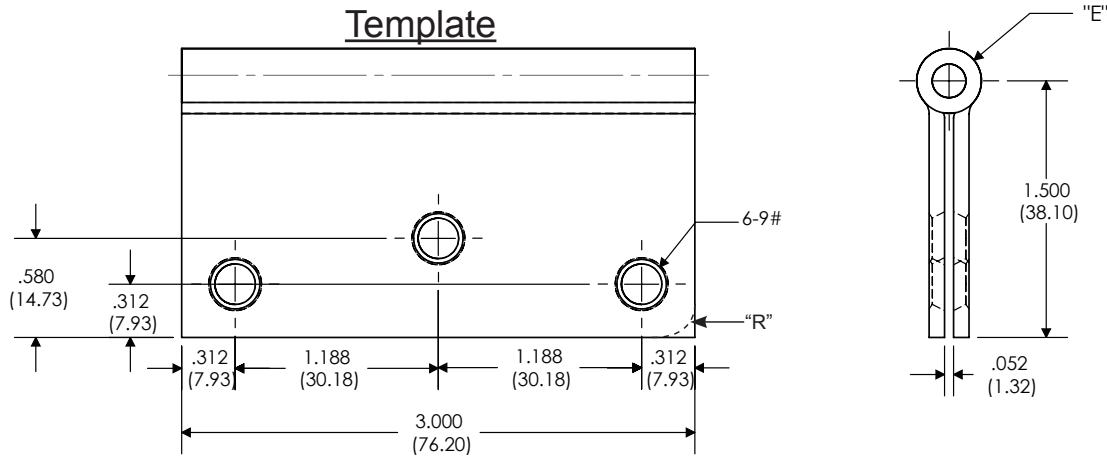
TABLE OF CONTENTS

Description	Weight	Dimensions	Part #	Page #
Half Mortise Template	Standard Weight	4.5"	BB45: 82, 52, 22	L42
Half Mortise Template	Heavy Weight	4.5"	4B45: 82, 52, 22	L43
Half Mortise Template	Heavy Weight	5"	4B50: 82, 52, 22	L44
Full Surface Template	Standard Weight	4.5"	BB45: 83, 53, 23	L45
Full Surface Template	Heavy Weight	4.5"	4B45: 83, 53, 23	L46
Full Surface Template	Heavy Weight	5.0"	4B50: 83, 53, 23	L47
Half Surface Template	Standard Weight	4.5"	BB45: 84, 54, 24	L48
Half Surface Template	Heavy Weight	4.5"	4B45: 84, 54, 24	L49
Half Surface Template	Heavy Weight	5"	4B50: 84, 54, 24	L50
Swing Clear Full Mortise Template	Standard Weight	3.5"	SCBB35: 81, 51	L51
Swing Clear Full Mortise Template	Standard Weight	4"	SCBB40: 81, 51	L52
Full Mortise Swing Clear Template	Standard Weight	4.5"	SCBB45: 81, 51	L53
Full Mortise Swing Clear Template For Rediframe	Standard Weight	4.5"	SCBB45T: 81, 51	L54
Swing Clear Full Mortise Template	Standard Weight	5"	SCBB50: 81, 51	L55
Swing Clear Full Mortise Template	Heavy Weight	4.5"	SC4B45: 81, 51	L56
Swing Clear Half Mortise Template	Heavy Weight	5"	SC4B50: 81, 51	L57
Swing Clear Half Mortise Template	Heavy Weight	5"	SC4B50: 82, 52	L58
Swing Clear Full Surface Template	Heavy Weight	5"	SC4B50: 83, 53	L59
Swing Clear Half Mortise Template	Heavy Weight	5"	SC4B50: 84, 54	L60
Full Mortise Template Wide Throw	Standard Weight	3.5" x 4", 3.5" x 5"	WTBB35: 81, 51, 21	L61
Full Mortise Template Wide Throw	Standard Weight	4.5" x 4.5", 4" x 5", 4" x 6"	WTBB40: 81, 51, 21	L62
Full Mortise Template Wide Throw	Standard Weight	4.5" x 5", 4.5" x 6", 4.5" x 7", 4.5" x 8"	WTBB45: 81, 51, 21	L63
Full Mortise Template Wide Throw	Standard Weight	5" x 6", 5" x 7", 5" x 8"	WTBB50: 81, 51, 21	L64
Full Mortise Template Wide Throw	Heavy Weight	4.5" x 5", 4.5" x 6", 4.5" x 7", 4.5" x 8"	WT4B45: 81, 51, 21	L65
Full Mortise Template Wide Throw	Heavy Weight	5" x 6", 5" x 7", 5" x 8"	WT4B50: 81, 51, 21	L66
Full Mortise 3/16" Insert Ball Bearing	Standard Weight	4.5" x 4", 4.5" x 4.5"	IT45: 81, 51, 21	L67
Full Mortise 5/16" Insert Ball Bearing	Standard Weight	4.5" x 4", 4.5" x 4.5"	IF45: 81, 51, 21	L68
Full Mortise Template Raised Barrel	Standard Weight	4.5" x 4.5"	BBRB45: 81, 51	L69
Full Mortise Template Raised Barrel Beveled	Standard Weight	4.5" x 4.5"	BBRB45B: 81, 51	L70
Extra Heavy Duty Bearing Pivot Hinge	Heavy Weight		PV872	L71
Full Mortise Anchor Hinge	Heavy Weight	5" x 4.5"	AA4B8150: 81, 51, 21	L72
Full Mortise Anchor Hinge	Heavy Weight	5" x 4.5"	AA4B81B50: 81, 51, 21	L72
Full Mortise Anchor Hinge	Heavy Weight	5" x 4.5"	AB4B8150: 81, 51, 21	L73
Full Mortise Anchor Hinge	Heavy Weight	5" x 4.5"	AB4B81B50: 81, 51, 21	L73
Full Mortise Anchor Hinge	Heavy Weight	5" x 4.5"	AC4B8150: 81, 51, 21	L74
Full Mortise Welding Butt Template	Standard Weight	4.5" x 4", 4.5" x 4.5"	WBBB8145	L75
Full Mortise Welding Butt Template	Standard Weight	5" x 4", 5" x 4.5", 5" x 5"	WBBB8150	L76
Full Mortise Welding Butt Template	Heavy Weight	4.5" x 4", 4.5" x 4.5"	WB4B8145	L77
Full Mortise Welding Butt Template	Heavy Weight	5" x 4", 5" x 4.5", 5" x 5"	WB4B8150	L78



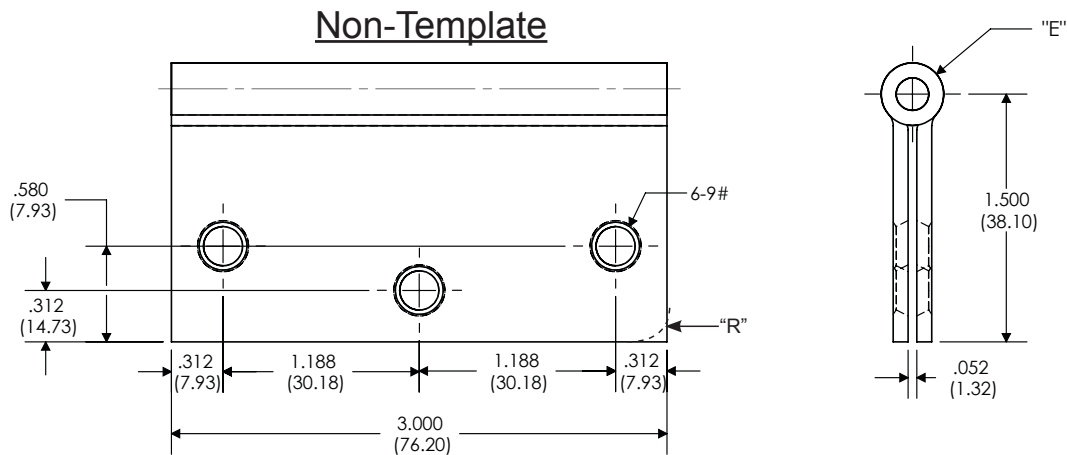
FULL MORTISE PLAIN BEARING

RP
3" x 3"



L1

RPY
3" x 3"



Part Number			Gauge of Metal	"E" Outside Dia.	"R" Corner Radius
Steel	Brass	Stainless			
RP81/ RPY81	RP21/ RPY21	RP51/ RPY51	.092"	.418"	1/4", 5/8", Square

NOTE:

- 2 hinges and 1 screw pack per unit carton.
- Bulk pack 100 pcs. per carton.
- Screw size: PHWS - 9 x 3/4"
- All hinges are ANSI template.

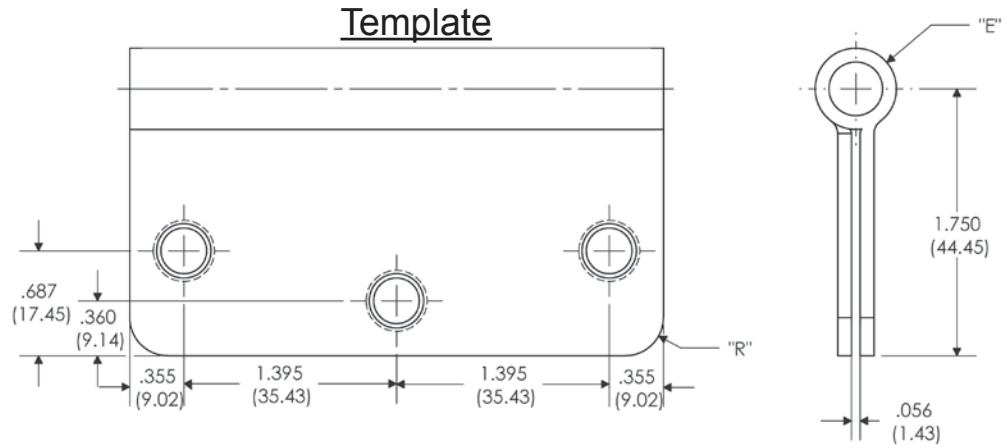
PBB, Inc.
 World Class Hinges
 1311 E. Philadelphia Street • Ontario • CA 91761 • USA
 PBB reserves the right to make changes without notice.

Template: RP30/RPY30



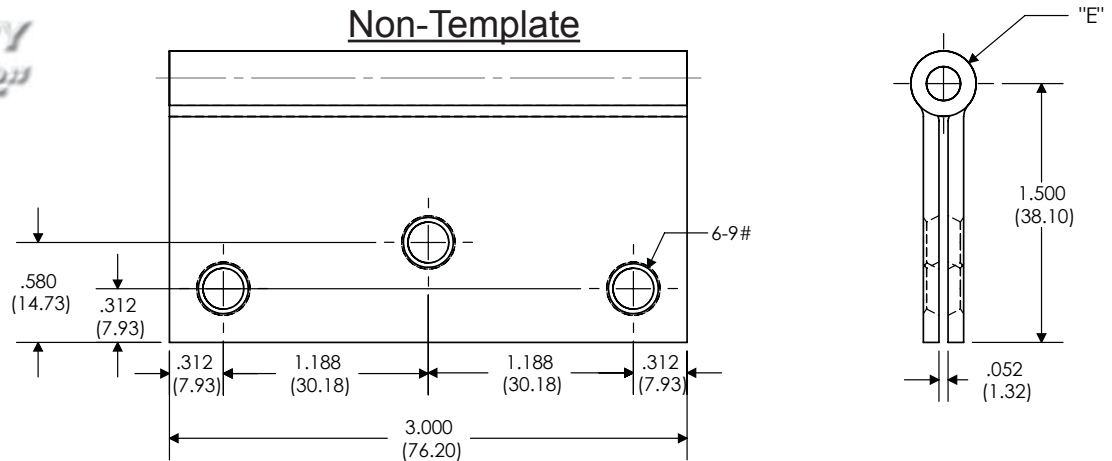
FULL MORTISE PLAIN BEARING

RP
3-1/2" x 3-1/2"



L2

RPY
3-1/2" x 3-1/2"



Part Number			Gauge of Metal	"E" Outside Dia.	"R" Corner Radius
Steel	Brass	Stainless			
RP81/ RPY81	RP21/ RPY21	RP51/ RPY51	.091"	.418"	1/4", 5/8", Square

NOTE:
 •Bulk pack 80 pcs. per carton.
 •Screw size: PHWS - 9 x 3/4"
 •All hinges are ANSI template.

PBB, Inc.
 World Class Hinges
 1311 E. Philadelphia Street • Ontario • CA 91761 • USA
 PBB reserves the right to make changes without notice.

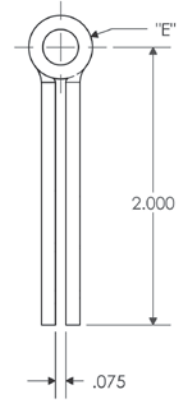
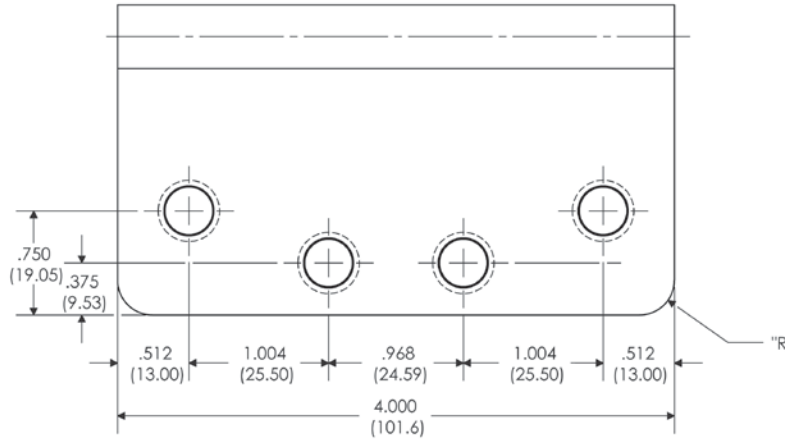
Template: RP35/RPY35



FULL MORTISE PLAIN BEARING

RP
4" x 4"

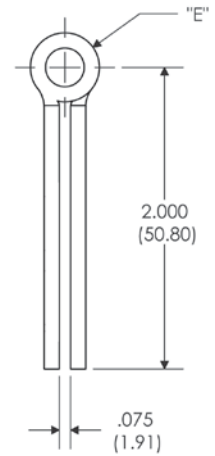
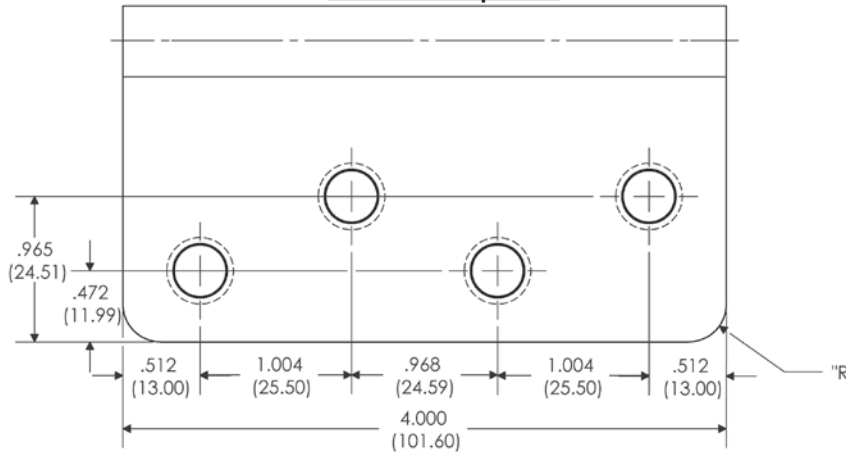
Template



L3

RPY
4" x 4"

Non-Template



Part Number			Gauge of Metal	"E" Outside Dia.	"R" Corner Radius
Steel	Brass	Stainless			
RP81/ RPY81	RP21/ RPY21	RP51/ RPY51	.100"	.460"	1/4", 5/8", Square

NOTE:

- Bulk pack 80 pcs. per carton
- Screw size: PHMS - 10-24 x 1/2"
PHWS - 10 x 1"
PHMS - 12-24 x 1/2"
PHWS - 12 x 1-1/4"
- All hinges are ANSI template.

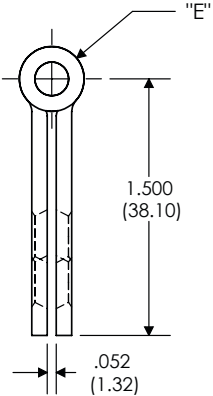
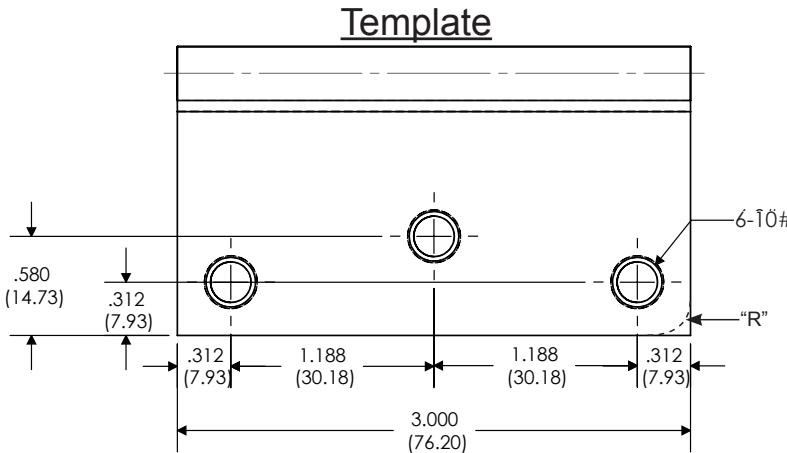
PBB, Inc.
World Class Hinges
1311 E. Philadelphia Street • Ontario • CA 91761 • USA
PBB reserves the right to make changes without notice.

Template: RP40/RPY40



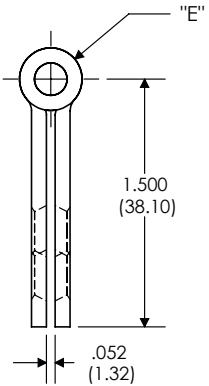
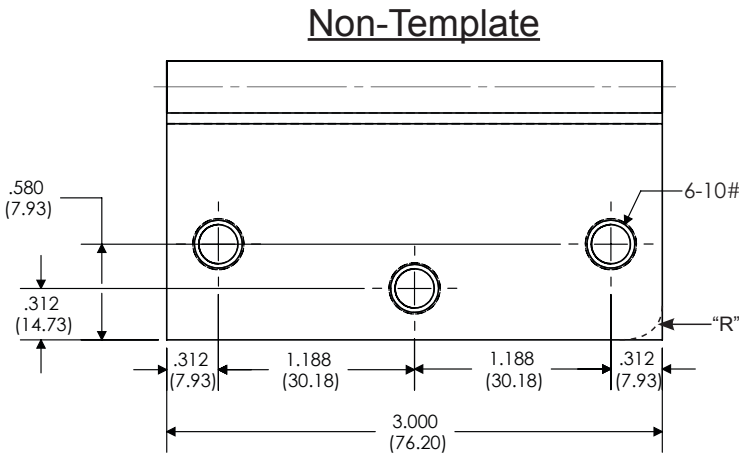
FULL MORTISE PLAIN BEARING

PB
3" x 3"



L4

PBY
3" x 3"



Part Number			Gauge of Metal	"E" Outside Dia.	"R" Corner Radius
Steel	Brass	Stainless			
PB81/PBY81	PB21/PBY21	PB51/PBY51	.092"	.418"	1/4", 5/8", Square

NOTE:
 •2 hinges and 1 screw pack per unit carton.
 •Bulk pack 100 pcs. per carton.
 •Screw size: PHWS - 10 x 3/4"
 •All hinges are ANSI template.

PBB, Inc.
 World Class Hinges
 1311 E. Philadelphia Street • Ontario • CA 91761 • USA
 PBB reserves the right to make changes without notice.

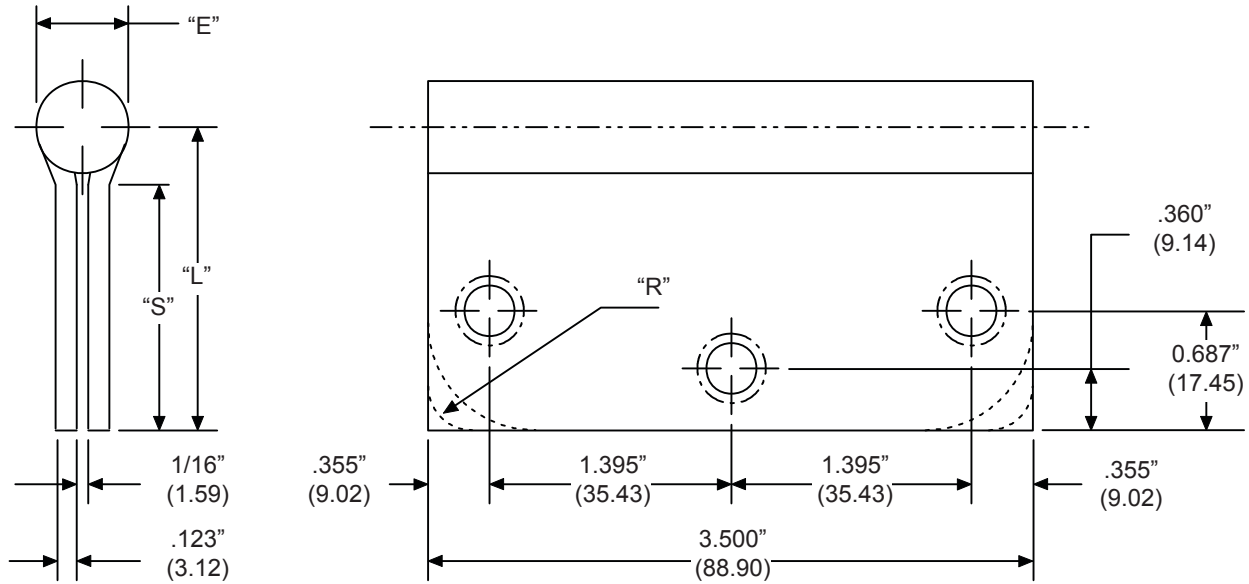
Template: PB30/PBY30



FULL MORTISE STANDARD WEIGHT TEMPLATE

BB - PB - CB - CP - FB

3-1/2" X 3-1/2"



Part Number			Gauge of Metal	"E" Outside Dia.	"L" Leaf Width	"S" Swage Line	"R" Corner Radius
Steel	Brass	Stainless					
BB81/CB81	BB21/CB21	BB51/CB51	.123"	.535"	1.75"	1.42"	Square, 1/4", 5/8"
PB81/CP81	PB21/CP21	PB51/CP51	.123"	.535"	1.75"	1.42"	Square, 1/4", 5/8"

NOTE:

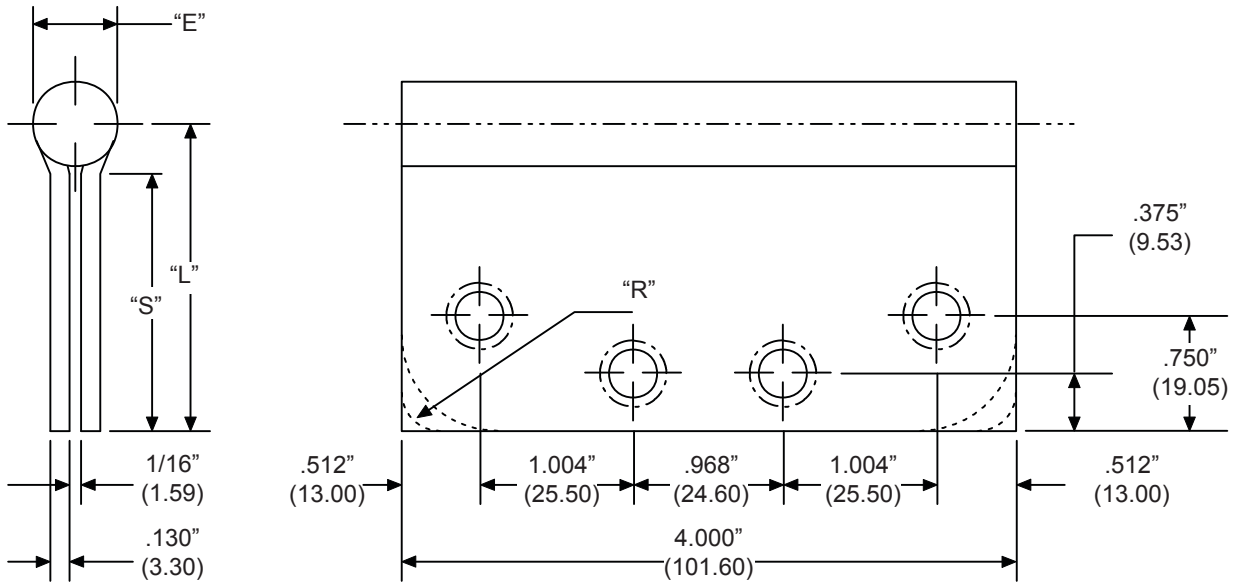
- 1 screw pack includes machine screws (18), and wood screws (18).
- Screw size: FHMS - 10-24 x 1/2"
FHWS - 10 x 1"
- All hinges are ANSI template.



FULL MORTISE STANDARD WEIGHT TEMPLATE

BB - PB - CB - CP - FB

4" x 3", 4" x 4"



L6

Part Number			Gauge of Metal	"E" Outside Dia.	"L" Leaf Width	"S" Swage Line	"R" Corner Radius
Steel	Brass	Stainless					
BB81/CB81	BB21/CB21	BB51/CB51	.130"	.550"	1.50"	1.17"	Square, 1/4", 5/8"
BB81/CB81	BB21/CB21	BB51/CB51	.130"	.550"	1.50"	1.17"	Square, 1/4", 5/8"
BB81/CB81	BB21/CB21	BB51/CB51	.130"	.550"	2.00"	1.67"	Square, 1/4", 5/8"
PB81/CP81	PB21/CP21	PB51/CP51	.130"	.550"	2.00"	1.67"	Square, 1/4", 5/8"

NOTE:

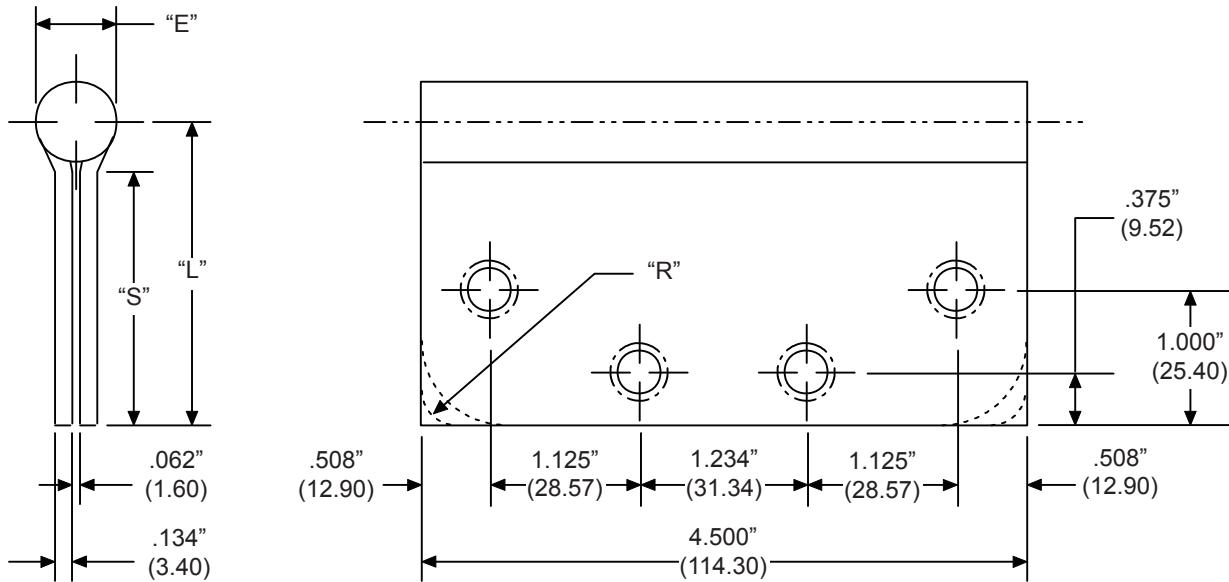
- 1 screw pack includes all machine screws (24), and 1/2 wood screws (12). ATMS & AWS also available.
- Screw size: FHMS - 12-24 x 1/2"
FHWS - 12 x 1-1/4"
- All hinges are ANSI template.

Template: BB40



FULL MORTISE STANDARD WEIGHT TEMPLATE

BB - PB - CB - CP - FB
4-1/2" x 4", 4-1/2" x 4-1/2"



Part Number			Gauge of Metal	"E" Outside Dia.	"L" Leaf Width	"S" Swage Line	"R" Corner Radius
Steel	Brass	Stainless					
BB81*/CB81	BB21/CB21	BB51/CB51	.134"	.600"	2.00"	1.63"	Square, 1/4", 5/8"
PB81*/CP81	PB21/CP21	PB51/CP51	.134"	.600"	2.00"	1.63"	Square, 1/4", 5/8"
BB81*/CB81	BB21/CB21	BB51/CB51	.134"	.600"	2.25"	1.88"	Square, 1/4", 5/8"
PB81*/CP81	PB21/CP21	PB51/CP51	.134"	.600"	2.25"	1.88"	Square, 1/4", 5/8"

*Also available as welding butts with identical dimensions and the exclusion of screw holes.

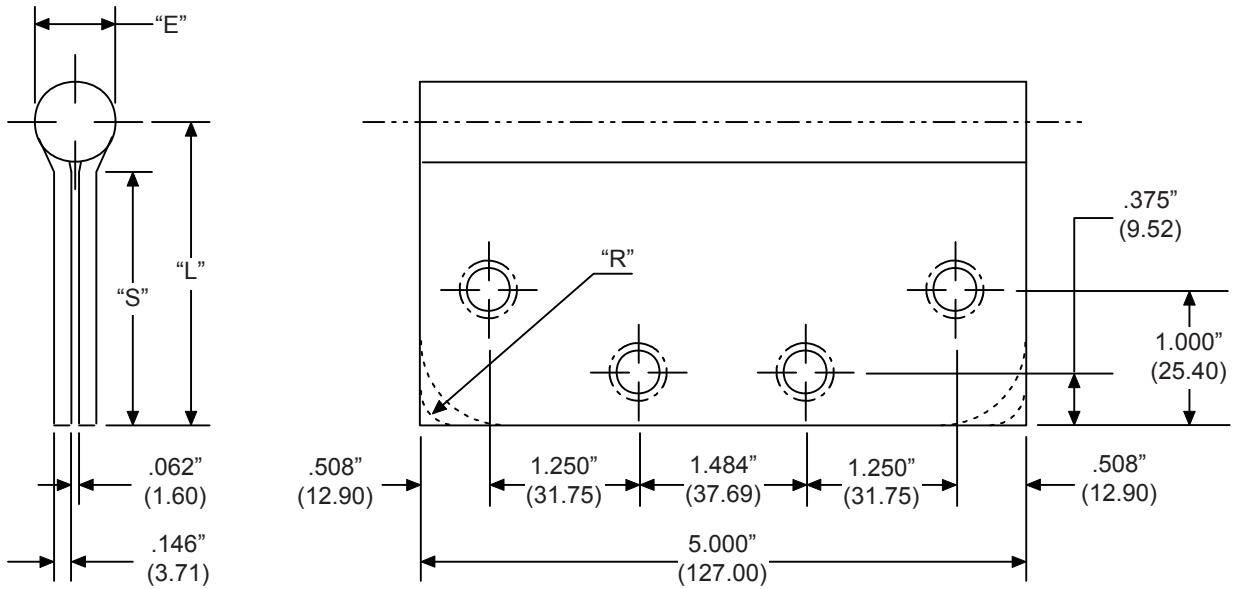
NOTE:

- 1 screw pack includes all machine screws (24), and 1/2 wood screws (12). ATMS & AWS also available.
- Screw size: FHMS - 12-24 x 1/2"
FHWS - 12 x 1-1/4"
- All hinges are ANSI template.



FULL MORTISE STANDARD WEIGHT TEMPLATE

BB - PB - CB - CP - FB
5" x 4", 5" x 4-1/2", 5" x 5"



L8

Part Number			Gauge of Metal	"E" Outside Dia.	"L" Leaf Width	"S" Swage Line	"R" Corner Radius
Steel	Brass	Stainless					
BB81*/CB81	BB21/CB21	BB51/CB51	.146"	.624"	2.00"	1.62"	Square, 1/4", 5/8"
BB81*/CB81	BB21/CB21	BB51/CB51	.146"	.624"	2.25"	1.87"	Square, 1/4", 5/8"
BB81*/CB81	BB21/CB21	BB51/CB51	.146"	.624"	2.50"	2.12"	Square, 1/4", 5/8"
PB81*/CP81	PB21/CP21	PB51/CP51	.146"	.624"	2.00"	1.62"	Square, 1/4", 5/8"
PB81*/CP81	PB21/CP21	PB51/CP51	.146"	.624"	2.25"	1.87"	Square, 1/4", 5/8"
PB81*/CP81	PB21/CP21	PB51/CP51	.146"	.624"	2.50"	2.12"	Square, 1/4", 5/8"

*Also available as welding butts with identical dimensions and the exclusion of screw holes.

NOTE:

- 1 screw pack includes all machine screws (24), and 1/2 wood screws (12). ATMS & AWS also available.
- Screw size: FHMS - 12-24 x 1/2"
FHWS - 12 x 1-1/4"
- All hinges are ANSI template.

PBB, Inc.
World Class Hinges
1311 E. Philadelphia Street • Ontario • CA 91761 • USA
PBB reserves the right to make changes without notice.

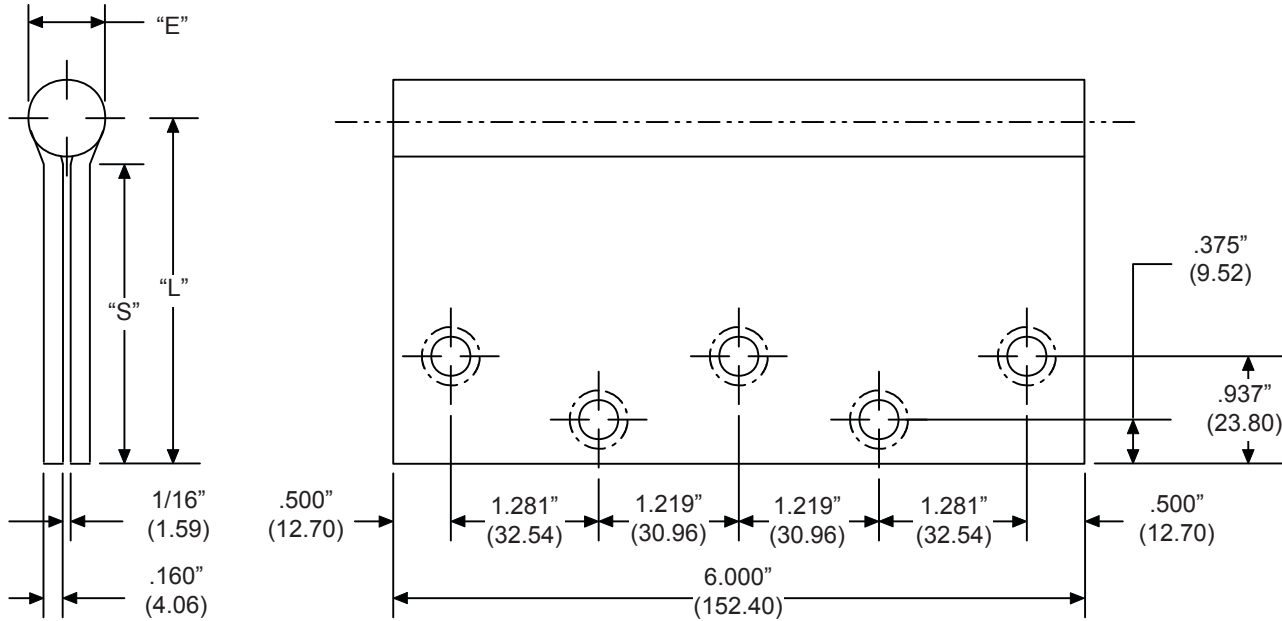
Template: BB50



FULL MORTISE STANDARD WEIGHT TEMPLATE

BB - PB - FB

6" x 4-1/2", 6" x 5", 6" x 6"



Part Number			Gauge of Metal	"E" Outside Dia.	"L" Leaf Width	"S" Swage Line
Steel	Brass	Stainless				
BB81/PB81	BB21/PB21	BB51/PB51	.160"	.652"	2.25"	1.85"
BB81/PB81	BB21/PB21	BB51/PB51	.160"	.652"	2.50"	2.10"
BB81/PB81	BB21/PB21	BB51/PB51	.160"	.652"	3.00"	2.60"

NOTE:

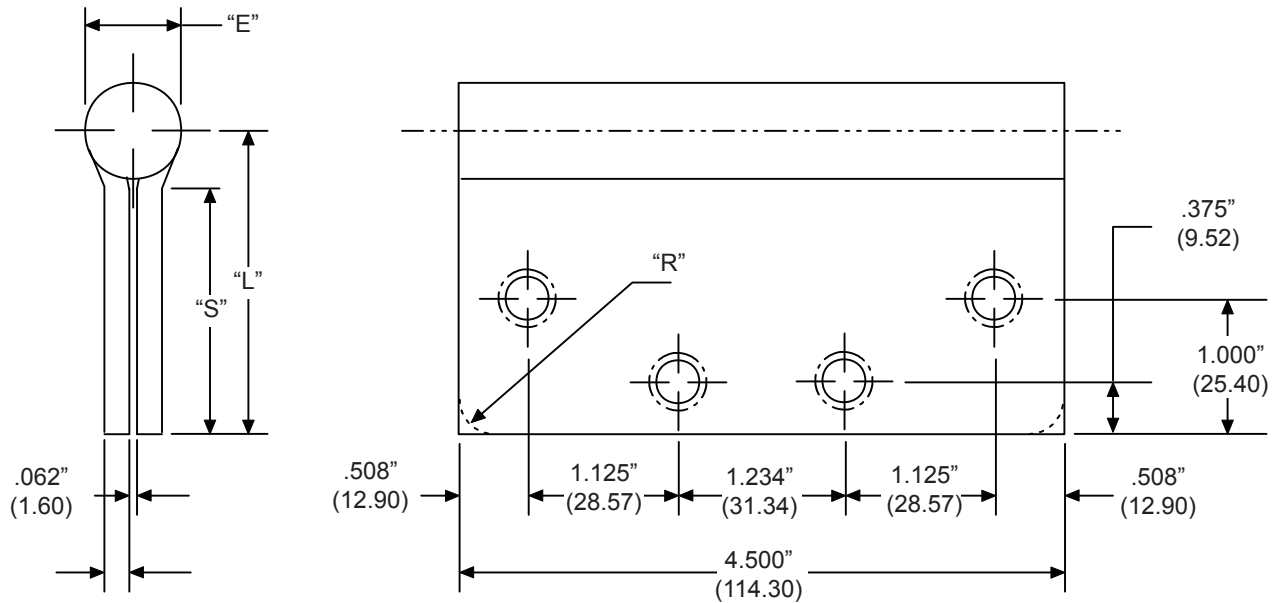
- 1 screw pack includes all machine screws (30), and 1/2 wood screws (15). ATMS & AWS also available.
- Screw size: FHMS - 1/4-20 x 1/2"
FHWS - 14 x 1-1/2"
- All hinges are ANSI template.

Template: BB60



FULL MORTISE HEAVY WEIGHT TEMPLATE

2B - 2P - 4B - 4C - 4F
4-1/2" x 4", 4-1/2" x 4-1/2"



L10

Part Number			Gauge of Metal	"E" Outside Dia.	"L" Leaf Width	"S" Swage Line	"R" Corner Radius
Steel	Brass	Stainless					
2B81/2P81	-	2B51/2P51	.134"	.600"	2.00"	1.63"	Square
2B81/2P81	-	2B51/2P51	.134"	.600"	2.25"	1.88"	Square
4B81*/4C81	4B21/4C21	4B51/4C51	.180"	.720"	2.00"	1.57"	Square, 1/4", 5/8"
4B81*/4C81	4B21/4C21	4B51/4C51	.180"	.720"	2.25"	1.82"	Square, 1/4", 5/8"

*Also available as welding butts with identical dimensions and the exclusion of screw holes.

NOTE:

- 1 screw pack includes all machine screws (24), and 1/2 wood screws (12). ATMS & AWS also available.
- Screw size: FHMS - 12-24 x 1/2"
FHWS - 12 x 1-1/4"
- All hinges are ANSI template.

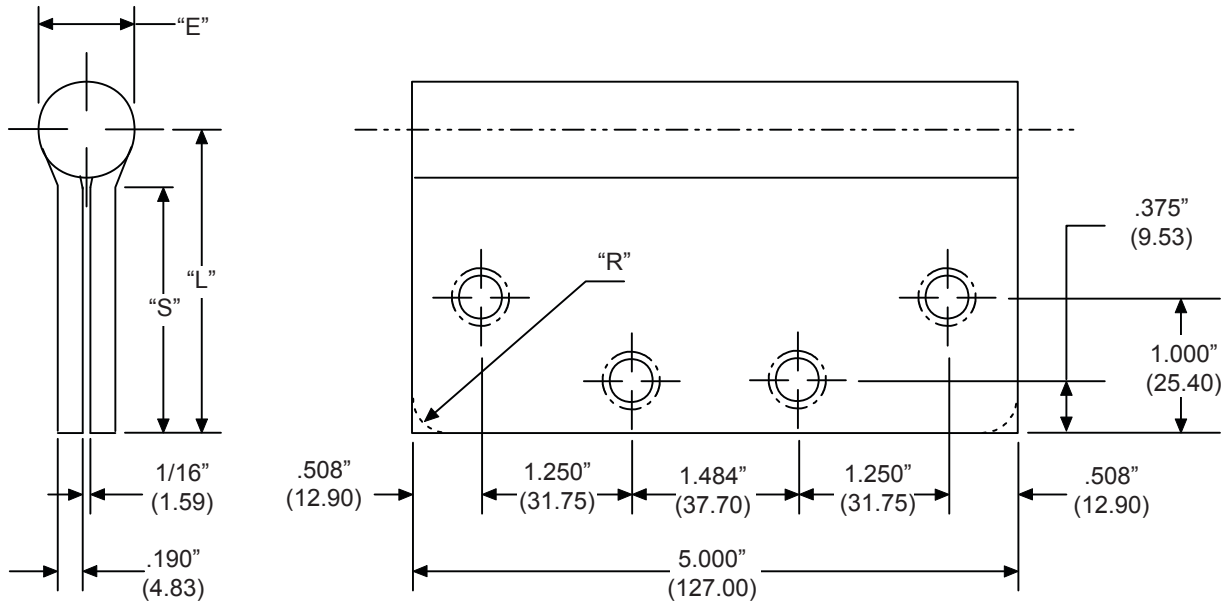
PBB, Inc.
 World Class Hinges
 1311 E. Philadelphia Street • Ontario • CA 91761 • USA
 PBB reserves the right to make changes without notice.

Template: 2B45/4B45



FULL MORTISE HEAVY WEIGHT TEMPLATE

4B - 4C - 4F
5" x 4", 5" x 4-1/2", 5" x 5"



Part Number			Gauge of Metal	"E" Outside Dia.	"L" Leaf Width	"S" Swage Line	"R" Corner Radius
Steel	Brass	Stainless					
4B81*/4C81	4B21/4C21	4B51/4C51	.190"	.740"	2.00"	1.56"	Square, 1/4", 5/8"
4B81*/4C81	4B21/4C21	4B51/4C51	.190"	.740"	2.25"	1.81"	Square, 1/4", 5/8"
4B81*/4C81	4B21/4C21	4B51/4C51	.190"	.740"	2.50"	2.06"	Square, 1/4", 5/8"

*Also available as welding butts with identical dimensions and the exclusion of screw holes.

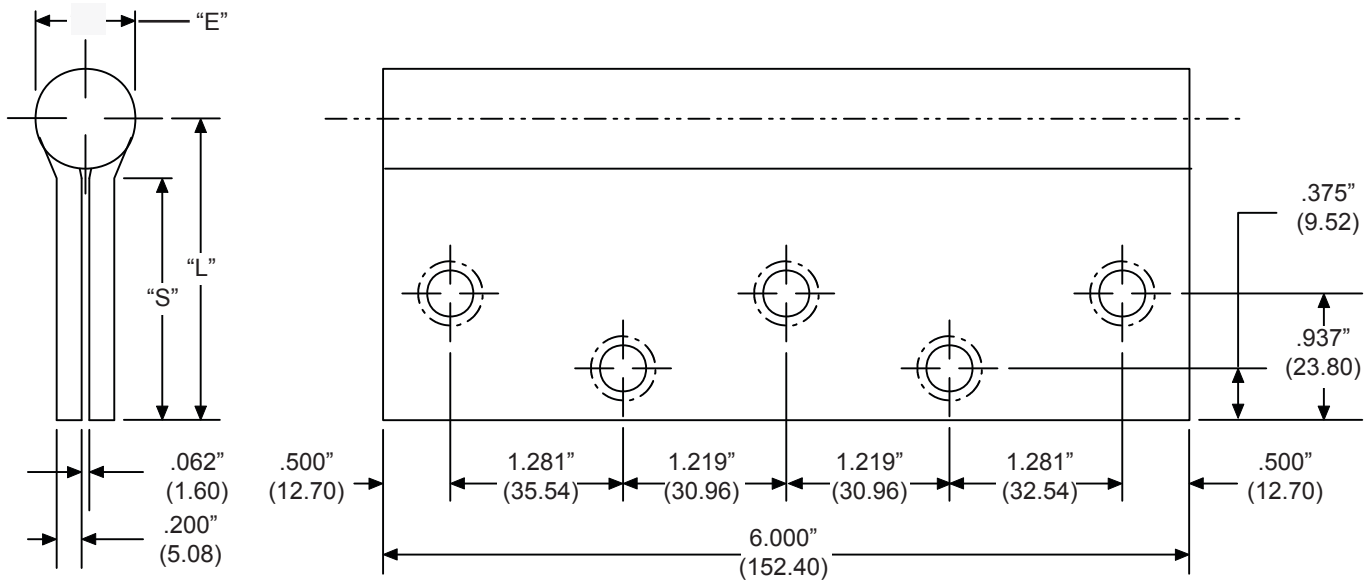
NOTE:

- 1 screw pack includes all machine screws (24), and 1/2 wood screws (12). ATMS & AWS also available.
- Screw size: FHMS - 12-24 x 1/2"
FHWS - 12 x 1-1/2"
- All hinges are ANSI template.



FULL MORTISE HEAVY WEIGHT TEMPLATE

4B - 4C - 4F
6" x 4-1/2", 6" x 5", 6" x 6"



L12

Part Number			Gauge of Metal	"E" Outside Dia.	"L" Leaf Width	"S" Swage Line	"R" Corner Radius
Steel	Brass	Stainless					
4B81/4C81	4B21/4C21	4B51/4C51	.200" *	.740"	2.25"	1.80"	Square, 1/4", 5/8"
4B81/4C81	4B21/4C21	4B51/4C51	.200" *	.740"	2.50"	2.05"	Square, 1/4", 5/8"
4B81/4C81	4B21/4C21	4B51/4C51	.200" *	.740"	3.00"	2.55"	Square, 1/4", 5/8"

NOTE:

- 1 screw pack includes all machine screws (30), and 1/2 wood screws (15). ATMS & AWS also available.
- Screw size: FHMS - 1/4-20 x 1/2"
FHWS - 14 x 1-1/2"
- *Stainless steel hinges have .190" (4.83) material thickness.
- All hinges are ANSI template.

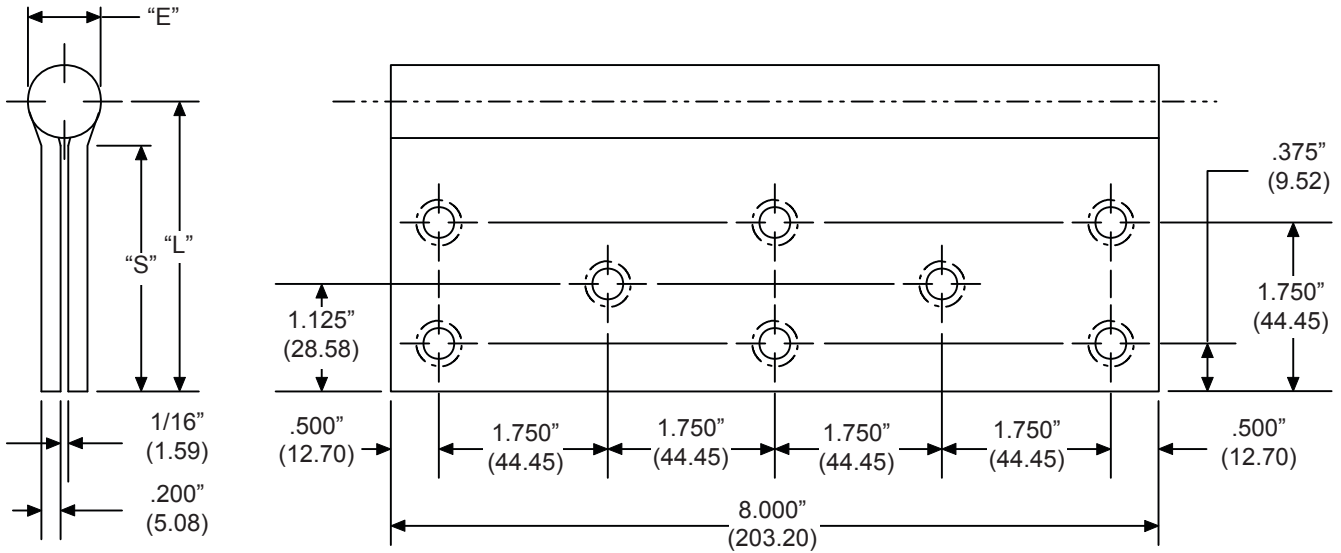
Template: 4B60



FULL MORTISE HEAVY WEIGHT TEMPLATE

4B-4F

8" x 6", 8" x 8"



Part Number			Gauge of Metal	"E" Outside Dia.	"L" Leaf Width	"S" Swage Line	"R" Corner Radius
Steel	Brass	Stainless					
4B81/4F81	4B21/4F21	4B51/4F51	.200" *	.766"	3.00"	2.46"	Square, 1/4", 5/8"
4B81/4F81	4B21/4F21	4B51/4F51	.200" *	.766"	4.00"	3.46"	Square, 1/4", 5/8"

NOTE:

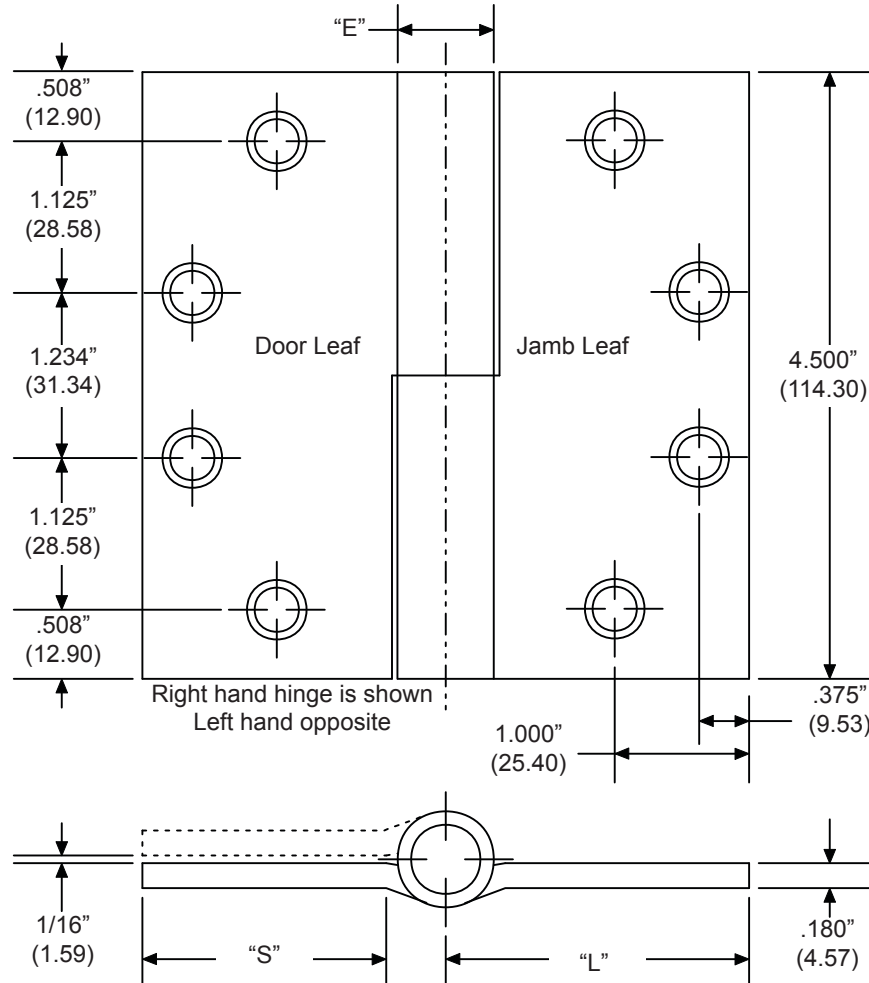
- 1 screw pack includes all machine screws (48), and 1/2 wood screws (24). ATMS & AWS also available.
- Screw size: FHMS - 1/4-20 x 1/2"
FHWS - 14 x 1-1/2"
- *Stainless steel hinges have .190" (4.83) material thickness.
- All hinges are ANSI template.

Template: 4B80



FULL MORTISE HEAVY WEIGHT TEMPLATE

2H
4-1/2" x 4", 4-1/2" x 4-1/2"



L14

Part Number			Gauge of Metal	"E" Outside Dia.	"L" Leaf Width	"S" Swage Line
Steel	Brass	Stainless				
2H81	-	2H51	.180"	.720"	2.00"	1.57"
2H81	-	2H51	.180"	.720"	2.25"	1.82"

NOTE:

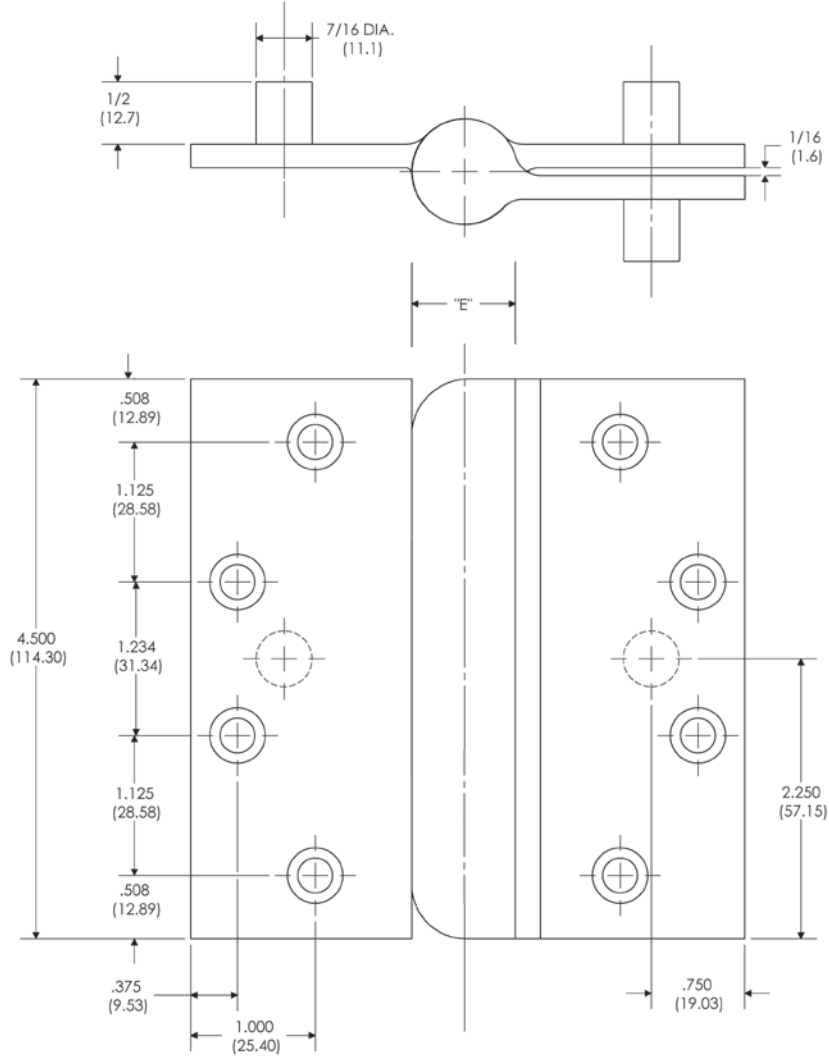
- 1 screw pack includes all machine screws (24), and 1/2 wood screws (12). ATMS & AWS also available.
- Screw size: FHMS - 12-24 x 1/2"
FHWS - 12 x 1-1/4"
- All hinges are ANSI template.



FULL MORTISE INSTITUTIONAL TEMPLATE

PH
4-1/2" x 4-1/2"

L15



Part Number			Gauge of Metal	"E" Outside Dia.
Steel	Brass	Stainless		
-	-	PH51	.190"	.850"

NOTE:

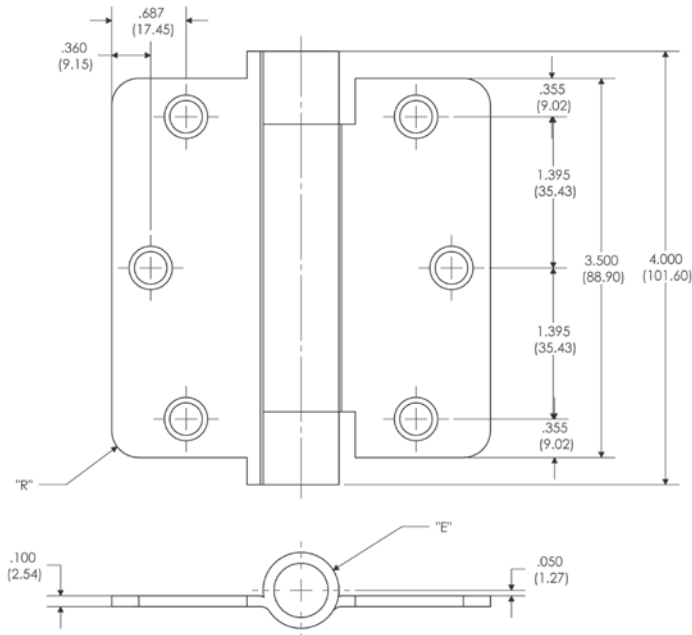
- 1 screw pack includes all machine screws (24) torx head or wood screws available upon request.
- Screw size: FHMS - 1/2" x 1/4-20
- Reverse security stud casted into both leaves for added security feature.
- All hinges are ANSI template.



FULL MORTISE U.L. LISTED SPRING HINGE TEMPLATE

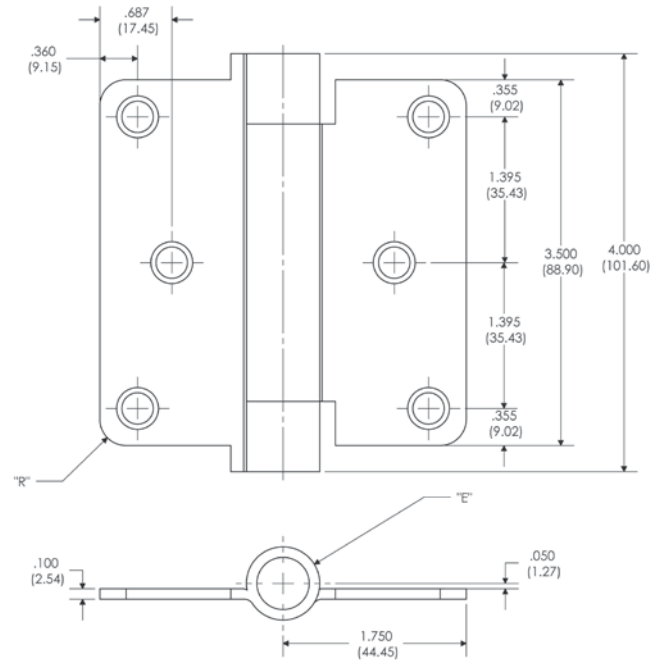
RS
3 1/2" x 3 1/2"

Template



RSY35
3-1/2" x 3-1/2"

Non-Template



L16



Part Number			Gauge of Metal	"E" Outside Dia.	"R" Corner Radius
Steel	Brass	Stainless			
RS81/ RSY81	-	-	.100"	.720"	Square, 1/4", 5/8"

NOTE:
 •1 screw pack includes (18) machine screws and (18) wood screws.
 •Screw size: FHMS - 10-24 x 1/2"
 FHWS - 10 x 1"
 •All hinges are ANSI template.

PBB, Inc.
 World Class Hinges
 1311 E. Philadelphia Street • Ontario • CA 91761 • USA
 PBB reserves the right to make changes without notice.

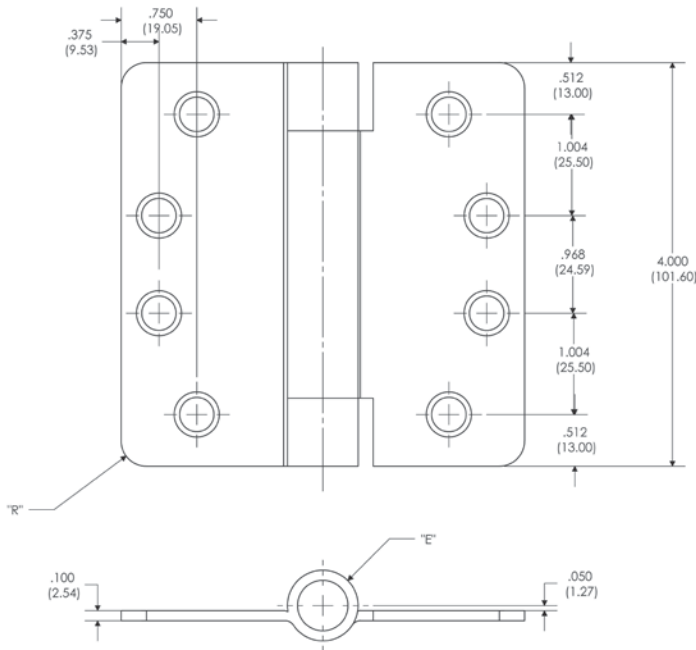
Template: RS35/RSY35



FULL MORTISE U.L. LISTED SPRING HINGE TEMPLATE

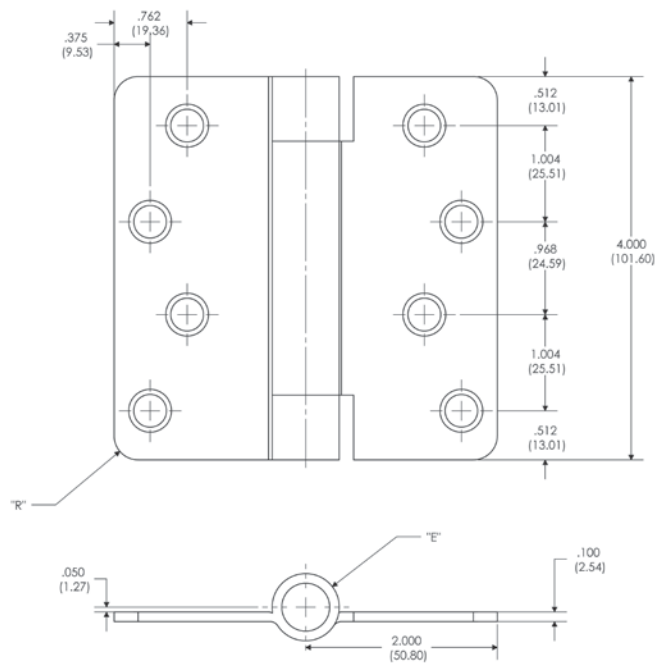
RS
4" x 4"

Template



RPY40
4" x 4"

Non-Template



L17



Part Number			Gauge of Metal	"E" Outside Dia.	"R" Corner Radius
Steel	Brass	Stainless			
RS81/RSY81	-	-	.100"	.720"	Square, 1/4", 5/8"

NOTE:

- 1 screw pack includes (24) machine screws and 1/2 (12) wood screws. ATMS & AWS also available.
- Screw size: FHMS - 12-24 x 1/2"
FHWS - 12 x 1-1/4"
- All hinges are ANSI template.

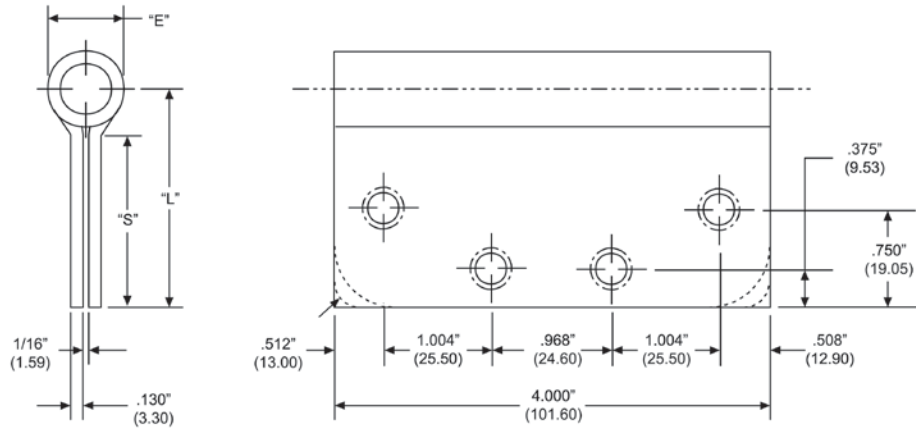
Template: RS40/RSY40



FULL MORTISE STEEL SPRING TEMPLATE

SP
4" x 4"

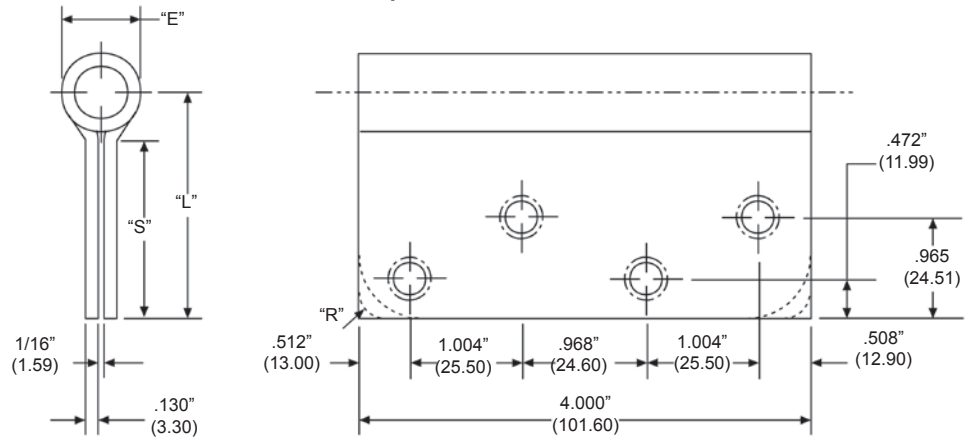
Template



L18

SPY40
4" x 4"

Non-Template



Part Number			Gauge of Metal	"E" Outside Dia.	"L" Leaf Width	"S" Swage Line	"R" Corner Radius
Steel	Brass	Stainless					
SP81/SPY81	-	SP51/SPY51	.130"	.780"	2.00"	1.54"	Square, 1/4", 5/8"

NOTE:

- 1 screw pack includes (18) machine screws and (18) wood screws.
- Screw size: FHMS - 10-24 x 1/2"
FHWS - 10 x 1"
- All hinges are ANSI template.

PBB, Inc.
World Class Hinges
1311 E. Philadelphia Street • Ontario • CA 91761 • USA
PBB reserves the right to make changes without notice.

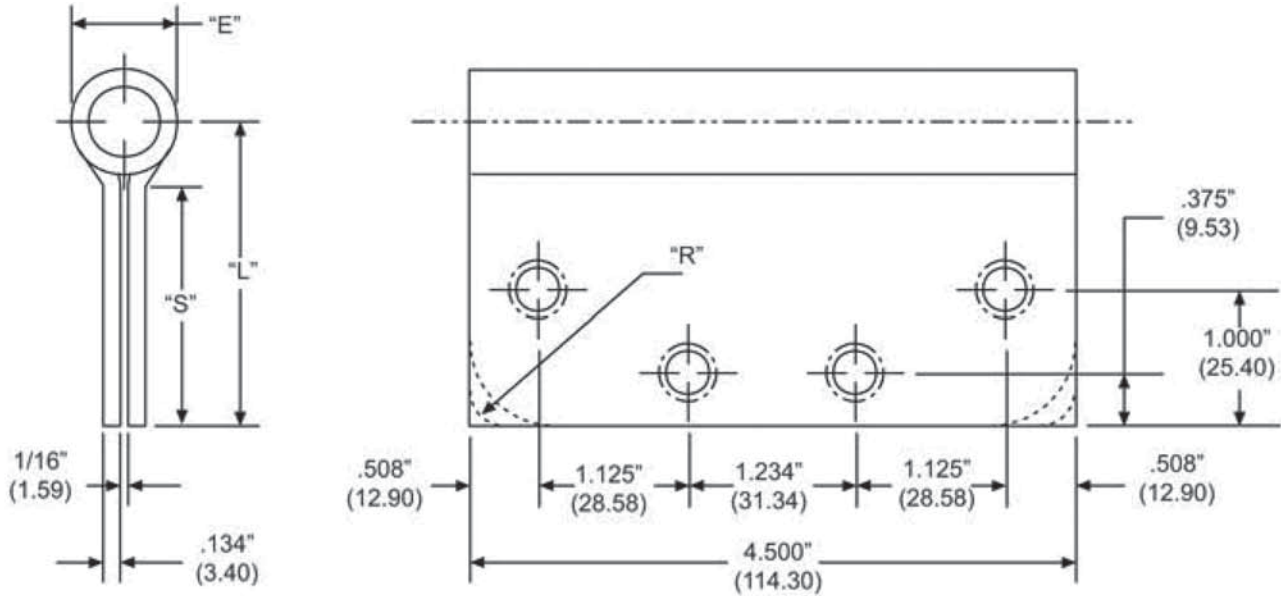
Template:SP40/SPY40



FULL MORTISE STEEL SPRING TEMPLATE

SP

4-1/2" x 4", 4-1/2" x 4-1/2"



L19



Part Number			Gauge of Metal	"E" Outside Dia.	"L" Leaf Width	"S" Swage Line	"R" Corner Radius
Steel	Brass	Stainless					
SP81	-	SP51	.134"	.790"	2.00"	1.54"	Square, 1/4", 5/8"
SP81	-	SP51	.134"	.790"	2.25"	1.75"	Square, 1/4", 5/8"

NOTE:

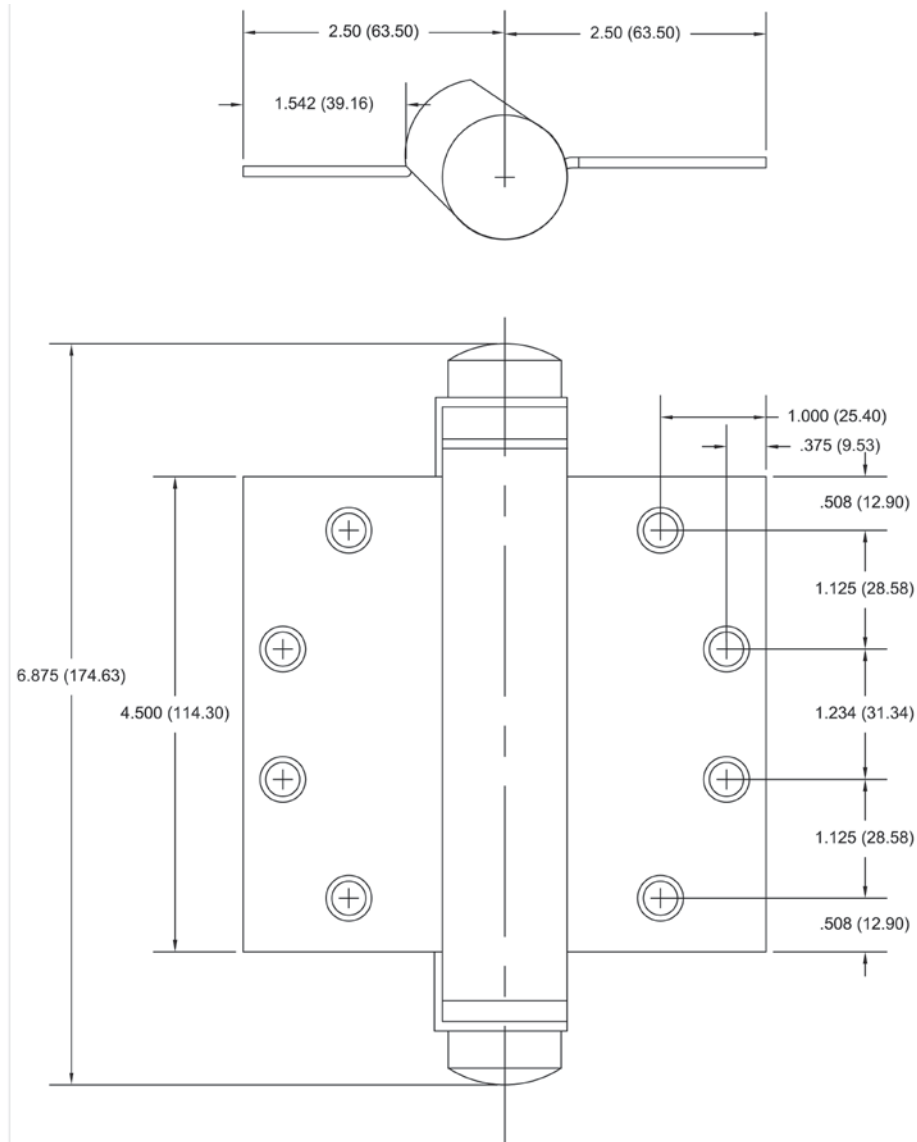
- 1 screw pack includes all machine screws (24), and 1/2 wood screws (12). ATMS & AWS also available.
- Screw size: FHMS - 12-24 x 1/2"
FHWS - 12 x 1-1/4"
- All hinges are ANSI template.

Template: SP45



FULL MORTISE SINGLE ACTING SPRING HINGE

SA
6" x 4 1/2"



L20

Part Number			Gauge of Metal	"E" Outside Dia.
Steel	Brass	Stainless		
SA81	-	-	.100"	1.180

NOTE:

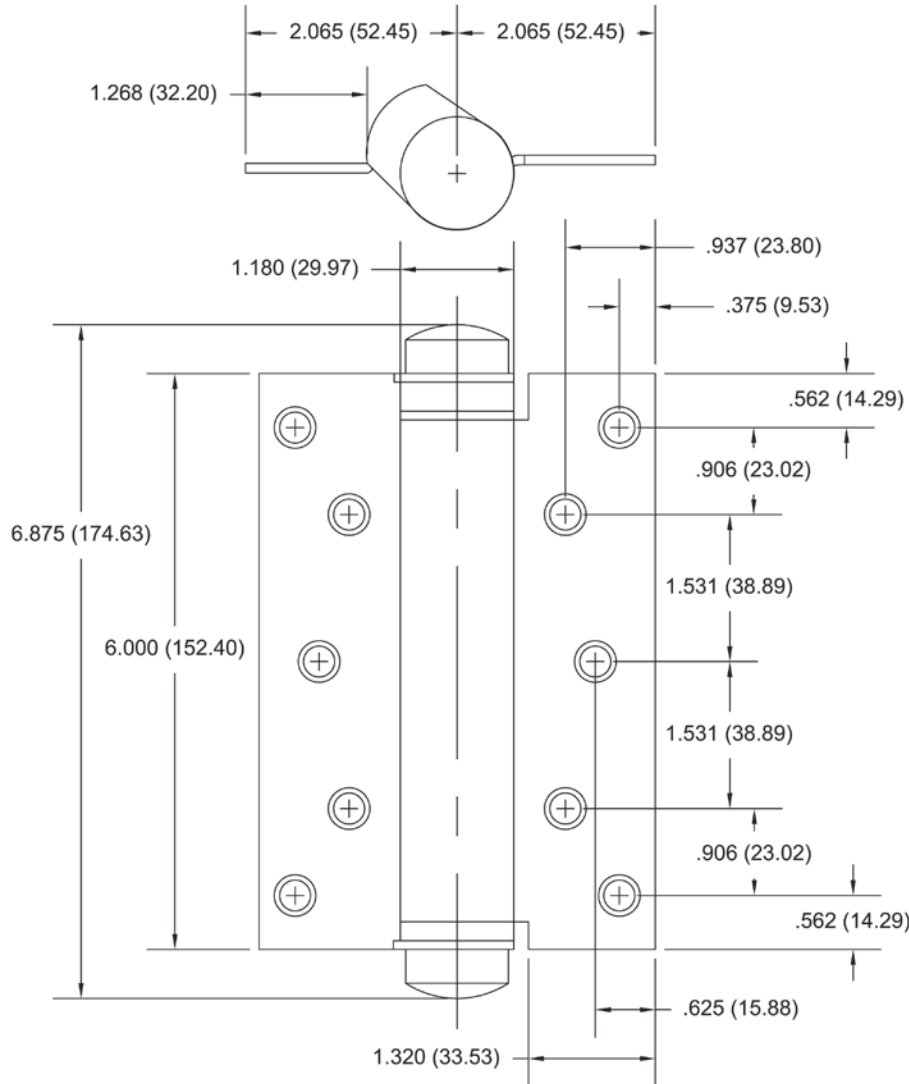
- 1 screw pack includes all machine screws (30), and 1/2 wood screws (15). ATMS & AWS also available.
- Screw size: FHMS - 12-24 x 1/2"
 FHWS - 12 x 1-1/4"
- All hinges are ANSI template.

Template: SA8145



FULL MORTISE SINGLE ACTING SPRING HINGE

SA
 6" x 6"



L21

Part Number			Gauge of Metal	"E" Outside Dia.
Steel	Brass	Stainless		
SA81	-	-	.100"	1.180

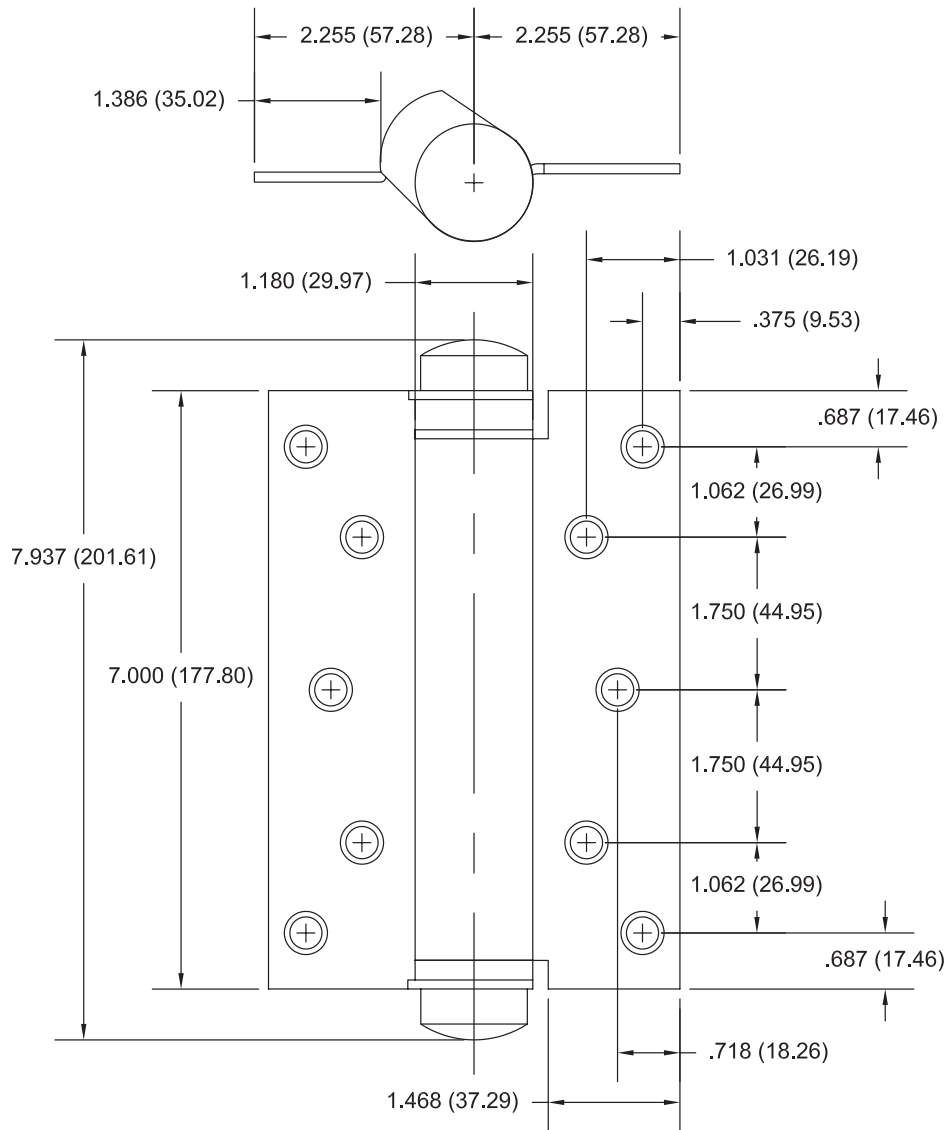
NOTE:

- 1 screw pack includes all machine screws (30), and 1/2 wood screws (15). ATMS & AWS also available.
- Screw size: FHMS - 12-24 x 1/2"
 FHWS - 12 x 1-1/4"
- All hinges are ANSI template.



FULL MORTISE SINGLE ACTING SPRING HINGE

SA
7" x 7"



L22

Part Number			Gauge of Metal	"E" Outside Dia.
Steel	Brass	Stainless		
SA81	-	-	.100"	1.180

NOTE:

- 1 screw pack includes all machine screws (30), and 1/2 wood screws (15). ATMS & AWS also available.
- Screw size: FHMS - 12-24 x 1/2"
FHWS - 12 x 1-1/4"
- All hinges are ANSI template.

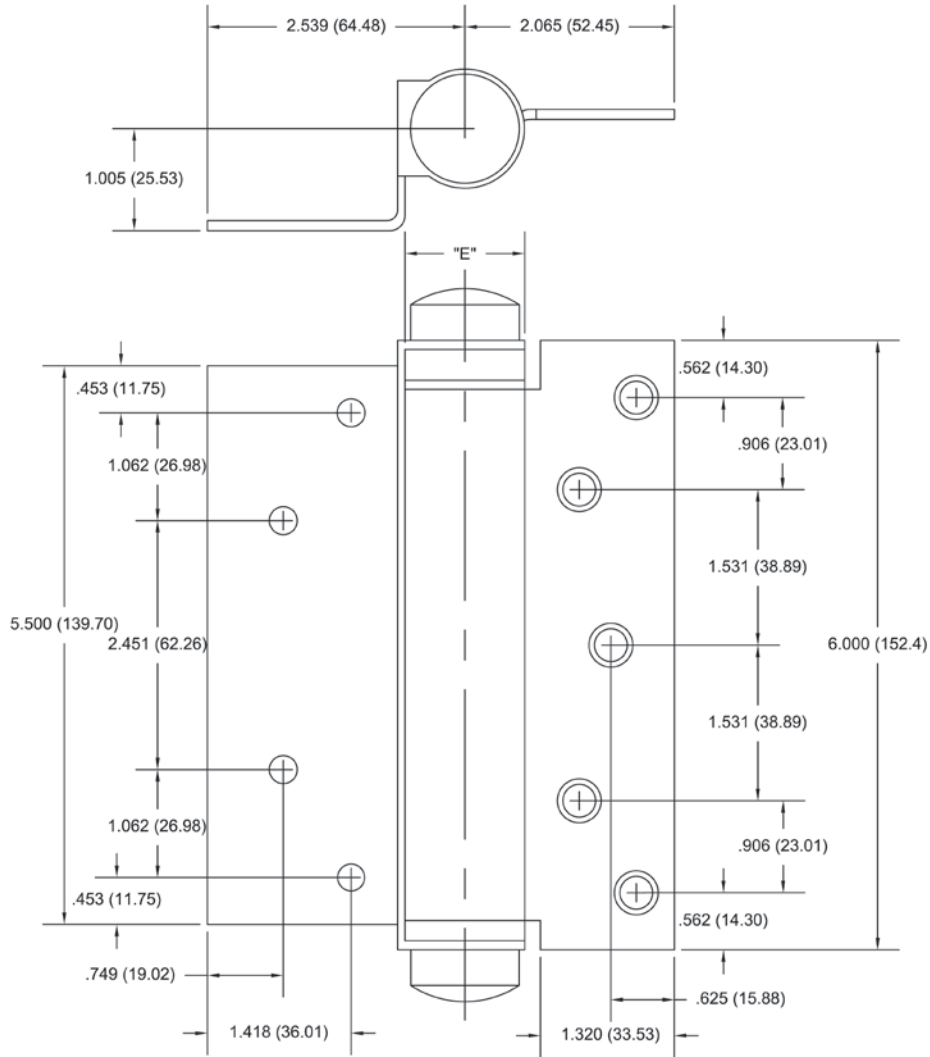
PBB, Inc.
 World Class Hinges
 1311 E. Philadelphia Street • Ontario • CA 91761 • USA
 PBB reserves the right to make changes without notice.

Template: SA8170



HALF SURFACE SINGLE ACTING SPRING HINGE

SA
6" x 6"



L23

Part Number			Gauge of Metal	"E" Outside Dia.
Steel	Brass	Stainless		
SA84	-	-	.100"	1.180

NOTE:

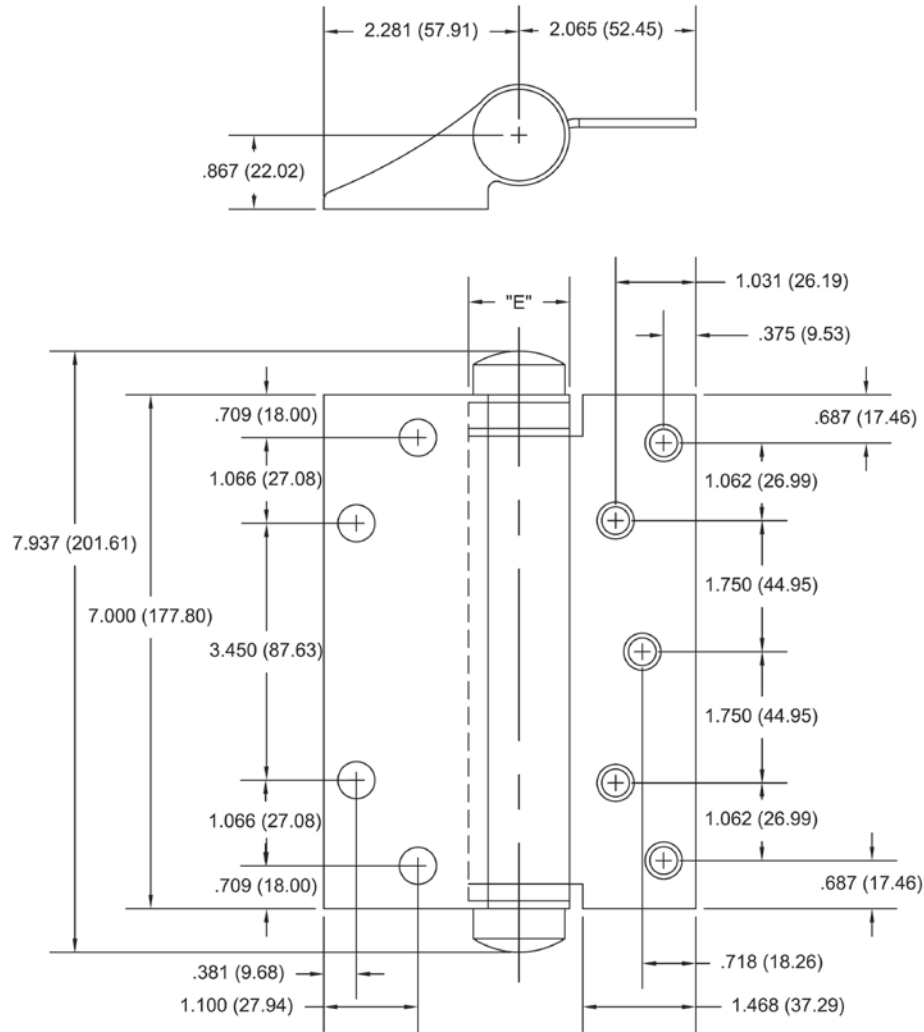
- 1 screw pack includes all machine screws (28), and 1/2 wood screws (14). ATMS & AWS also available.
- Screw size: FHMS - 12-24 x 1/2"
 FHWS - 12 x 1 1/2"
 OHMS/NUT - 2" x 1/4-20
- All hinges are ANSI template.

Template: SA8460



HALF SURFACE SINGLE ACTING SPRING HINGE

SA
7" x 7"



L24

Part Number			Gauge of Metal	"E" Outside Dia.
Steel	Brass	Stainless		
SA84	-	-	.100"	1.180

NOTE:

- 1 screw pack includes all machine screws (28), and 1/2 wood screws (14). ATMS & AWS also available.
- Screw size: FHMS - 12-24 x 1/2"
 FHWS - 12 x 1 1/2"
 OHMS/NUT - 2" x 1/4-20
- All hinges are ANSI template.

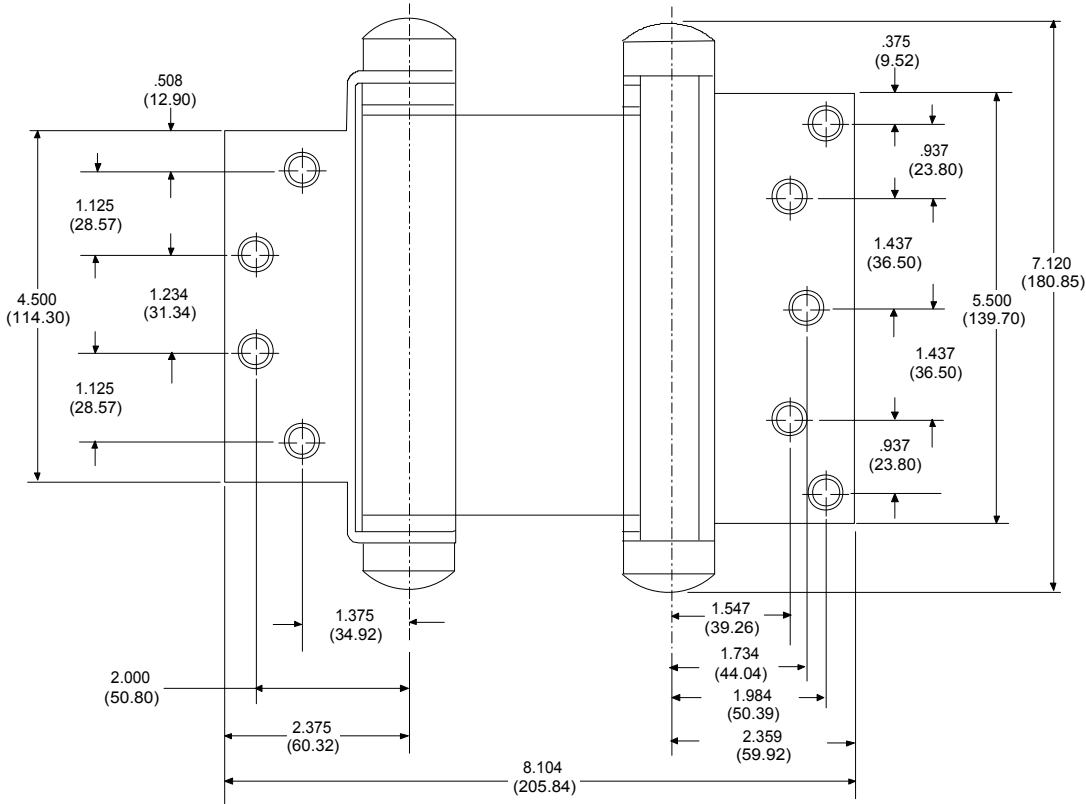
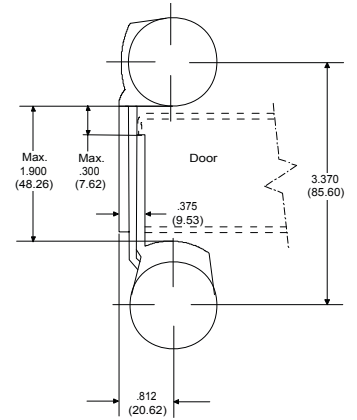
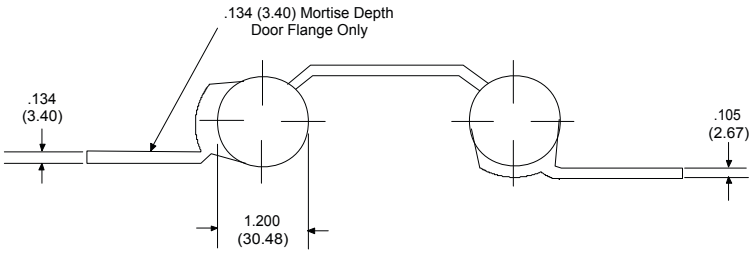
Template: SA8470



FULL MORTISE DOUBLE ACTING SPRING HINGE TEMPLATE

DA
6" x 4 1/2"

**For 1-3/4" (44.4)
 Thick Doors**



NOTE:

- 1 screw pack includes all machine screws (28), and 1/2 wood screws (14). ATMS & AWS also available.
- Screw size: FHMS - 12-24 x 1/2"
 FHWS - 12 x 1 1/2"
- DO NOT USE ON DOORS WITH HINGE EDGE BEVELED.
- All hinges are ANSI template.

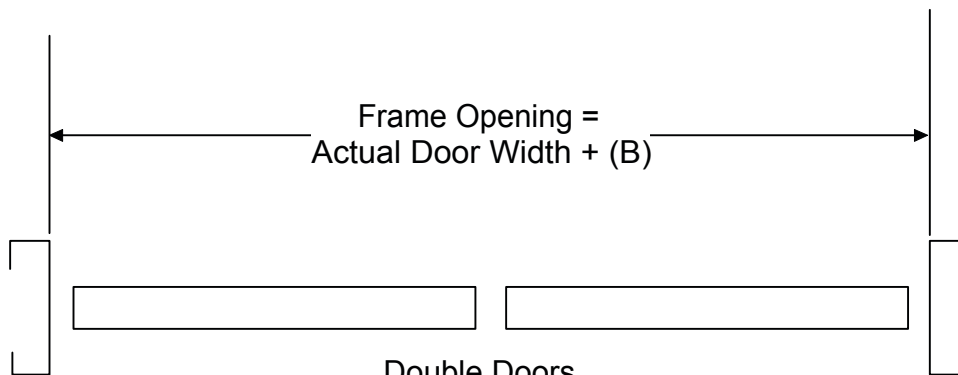
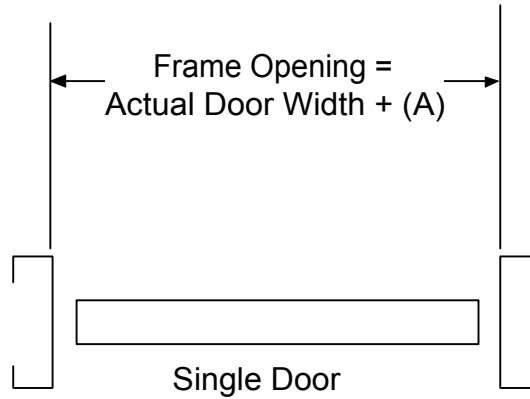
Template: DA8145

CONTINUED...



FULL MORTISE DOUBLE ACTING SPRING HINGE TEMPLATE

DA
6" x 4 1/2"



Note: Maximum Door Width - 2'-8" (812.8)

NOTES:

1. This hinge is not to be used on doors with hinge edge beveled.
2. Refer to catalog for door weight and hinge size.
3. Hinges should be inverted on one door of a pair for proper centering.

Frame Clearance		
Hinge Mounting	Clearance (A)	Clearance (B)
Surface Applied	---	---
Door Flange Mortised	.407 (10.34)	.814 (20.68)



INSTALLATION INSTRUCTION FOR ALL EM/EMW MODELS

See EM Templates

Door Preparation - For EM hinges that include through wires, the wire chase should be drilled through the door with a 3/8" drill bit starting at point noted on the hinge on the door, since the modified hinge no longer meets manufacturers load bearing specifications. A starter hole of 3/4" diameter x 1-1/2" deep is recommended for positioning the slice of the hinge wire and lock through wire.
Be careful not to pinch wires between the door and hinge when securing hinge to door. This may cause hinge to malfunction.

Note: *In fire rated conditions be sure to confirm the maximum starter hole diameter and depth with the appropriate testing agency.*

Frame Preparation - Position template at appropriate hinge location on frame. Mark and drill a 7/8" hole to receive the wires and cap from the EM hinge.
Be careful not to pinch wires between the frame and hinge when securing hinge to door. This may cause hinge to malfunction.

Note: *Steel based hinges are for interior use only. Use stainless steel or brass based hinges for exterior installations.*

****Do not allow hinge to dangle from its wires during installation****

Burglar alarm system applications:

The EM hinges are used to monitor door position only. When added to an electric transfer hinge it monitors the door position, passes low voltage power from a frame hinge jamb to the door to power lock sets and is used with options such as request-to-exit switches, etc.

Electric specifications for through-wires -(Maximum Continuous rating)

EM2W - 3.0 amps @ 24V

EM4W - 1.0 amps @ 24V (each pair) - Wire leads greater 2ft but less than 10ft rated 0.4 amps @ 24V (each pair)

EM6W - 1.0 amps @ 24V (each pair) - Wire leads greater 2ft but less than 10ft rated 0.4 amps @ 24V (each pair)

We do not recommended splicing hinges containing 26 AWG wire (EM4W, 6W) to any wire larger than 18 AWG.

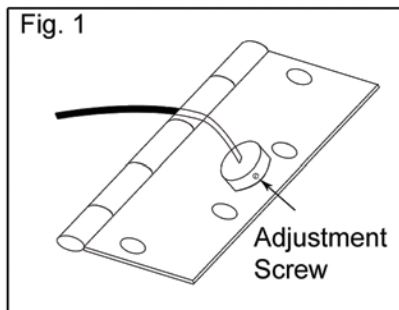
EM8W - 1.0 amps @ 24V (each pair) - Wire leads greater 2ft but less than 10ft rated 0.4 amps @24V (each pair)

We do not recommended splicing hinges containing 28 AWG wire (EM8W) to any wire larger than 20 AWG.

Adjustment Instructions:

Clockwise Wider Gap (see fig. 1)

Counter Clockwise Narrow Gap (see fig. 1)



****Hinge is adjusted with a 1/4" gap from factory which equates to the door opening 1 1/2" for a 3ft door and 2" for a 4ft door before triggering the monitor switch****

	Minimum Hinge gap 3/16"	Maximum Hinge gap 3/8"
3 ft Door Gap	1"	3 1/12"
4 ft Door Gap	1 1/2"	4"

Wire Specifications for monitor switch:

Yellow with Black Stripe - Common

Blue with White Stripe - Normally Closed

Red with White Stripe - Normally Open

Switch Ratings:

Electrical:

50 to 100 mA, 30VDC

Inrush Current

NC: 0.5 A max

NO: 0.5 A max

Operating Frequency:

Mechanical: 60 operations per minute

Electrical: 20 operations per min

PBB, Inc.

World Class Hinges

1311 E. Philadelphia Street • Ontario • CA 91761 • USA

PBB reserves the right to make changes without notice.



INSTALLATION INSTRUCTION FOR ALL EL MODELS

See EL Templates

Door Preparation:

- The wire chase should be drilled through the door with a 3/8" drill bit starting at point noted on the hinge template.
- The EL hinge should always be positioned as one of the center hinges on the door, since the modified hinge no longer meets manufacturers load bearing specifications.
- A starter hole of 5/8" Dia. x 1-1/2" deep is recommended for positioning the splice of the hinge wire and lock through wire.
- Be careful not to pinch wires between the door and hinge when securing hinge to door.**
This may cause hinge to malfunction.

Note: *In fire rated conditions be sure to confirm the maximum starter hole diameter and depth with the appropriate testing agency.*

Frame Preparation:

- Position template at appropriate hinge location on frame. Mark and drill hole to receive the wires from the EL hinge. Drill 5/8" hole 1-1/2" deep for service loop and connection.
- Be careful not to pinch wires between the frame and hinge when securing hinge to door.**
This may cause hinge to malfunction.

Note: *Steel based hinges are for interior use only. Use stainless steel or brass based hinges for exterior installations.*

*****Do not allow hinge to dangle from its wires during installation*****

Burglar alarm systems applications:

The EL hinges are used to pass low voltage power from a frame hinge jamb to the door to power lock sets, exit devices and door monitoring devices such as door position switches, request-to-exit switches, etc.

Electrical Specifications - (Maximum Continuous Rating)

EL2 - 24 VAC/DC, @ 3 amps, continuous, 8 amp surge
 EL2+4 - 24 VAC/DC, @ 3 amps, continuous, 8 amp surge
 24 VAC/DC, 1 pr @ 1 amp, 1 pr @ .25 amps

EL4 - 24 VAC/DC, 1 pr @ 1 amp, 1 pr @ .25 amps
 EL6 - 24 VAC/DC, 1 pr @ 1 amp, 2 pr @ .10 amps

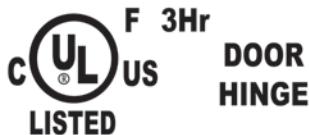
We do not recommend splicing hinges containing 26 AWG wire (EL4W, 6W) to any wire heavier than 18 AWG

EL8 - 24 VAC/DC, 1 pr @ 1 amp, 3 pr @ .10 amps
 EL10 - 24 VAC/DC, 1 pr @ 1 amp, 4 pr @ .10 amps

We do not recommend splicing hinges containing 28 AWG wire (EL8W, 10W) to any wire heavier than 20 AWG

Ratings are: 20 AWG pair @ 24 Volts AC/DC @ 3 amps continuous
 20 AWG pair can be cycled at 8 amps surge for 100-200 m-sec for 15 seconds with a rest period of 15 seconds.

EL MODELS AVAILABLE	
EL2 Wire	Concealed electric through-wire. 2 PTFE coated 20 gauge high Amp.
EL2+4 Wire	Concealed electric through-wire. 2 PTFE coated 20 gauge high Amp. 4 PTFE coated 28 gauge
EL4 Wire	Concealed electric through-wire. 4 PTFE coated 28 gauge
EL6 Wire	Concealed electric through-wire. 6 PTFE coated 30 gauge
EL8 Wire	Concealed electric through-wire. 8 PTFE coated 30 gauge
EL10 Wire	Concealed electric through-wire. 10 PTFE coated 30 gauge



If you have any problems, call 1-800-726-3414

INSTALLATION:

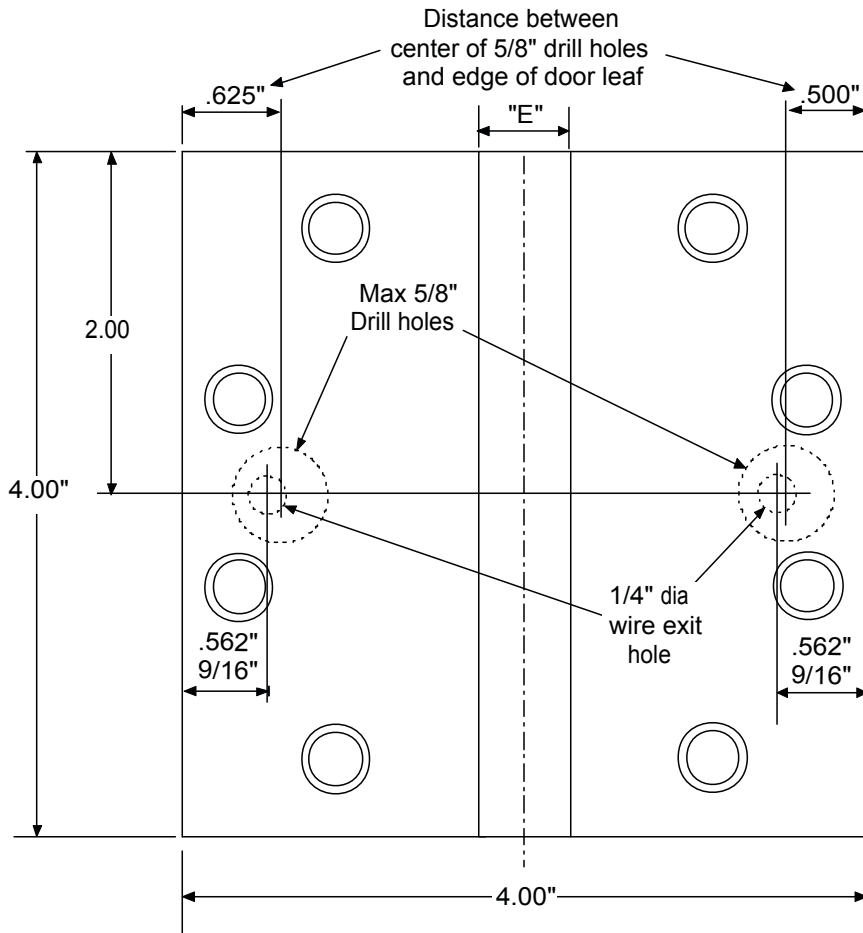
Do not disassemble hinge. Disassembly voids warranty.
 Do not force hinge into perp. Binding hinges will shorten life and damage hinge.

Do not hang hinge from wires. Damage can occur.
 After connections are made, slide wires through holes, making sure that wires are not pinched or rubbing on sharp edges.



FULL MORTISE ELECTRIC TEMPLATE

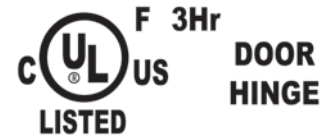
BBEL - CBEL
4" x 4"



HINGES ARE NON-LOAD BEARING AND MUST BE MOUNTED IN THE CENTER POSITION ONLY.

FOR USE WITH 4.000 INCH FULL MORTISE 3 & 5-KNUCKLE BALL BEARING HINGES. STANDARD WEIGHT ONLY.

NOTE:
USE MANUFACTURERS TEMPLATING FOR MOUNTING HOLE DIMENSIONS. INSTALLATION HOLES FOR WIRES TO BE BURR FREE.



Part Number			Gauge of Metal	"E" Outside Dia.
Steel	Brass	Stainless		
BB81EL CB81EL	BB21EL CB21EL	BB51EL CB51EL	.130"	.550"

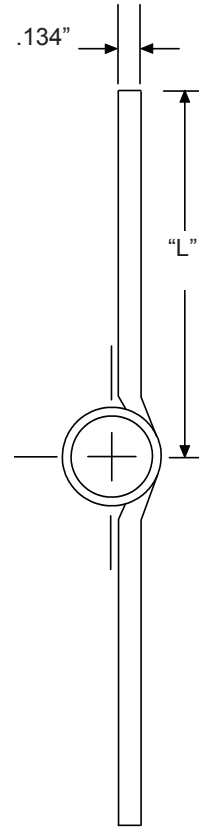
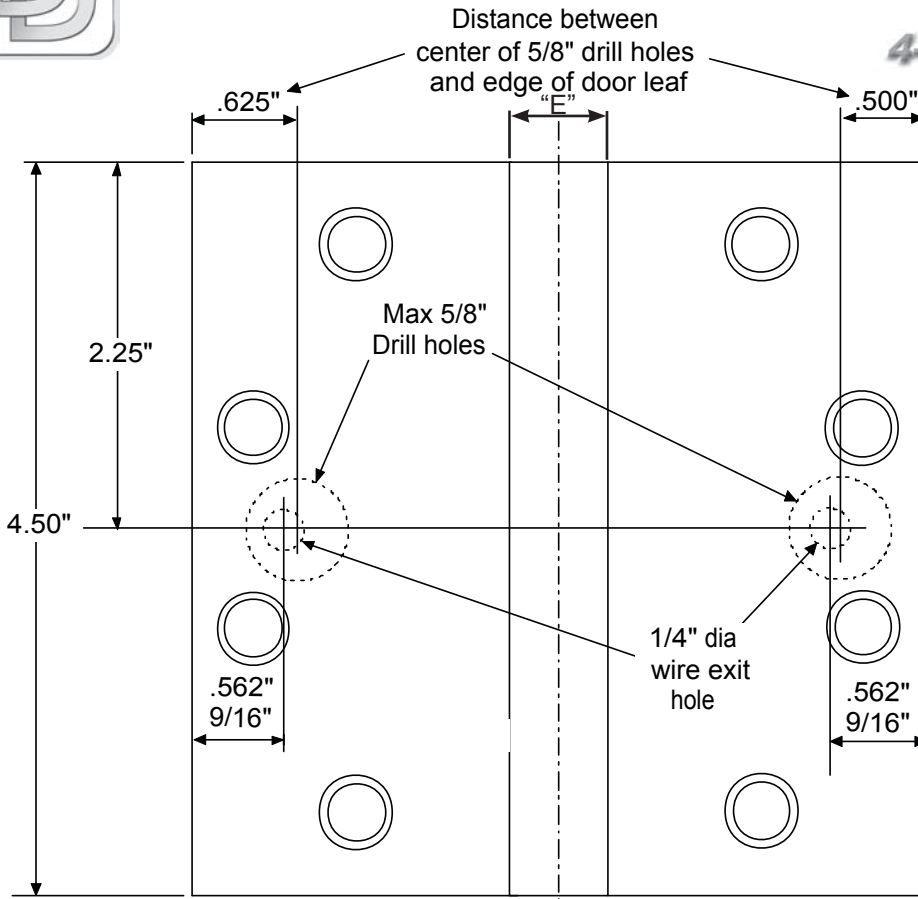
NOTE:

- 1 screw pack includes all machine screws (8), and 1/2 wood screws (4). ATMS & AWS also available.
- Screw size: FHMS - 12-24 x 1/2"
FHWS - 12 x 1 1/4"
- All hinges are ANSI template.



FULL MORTISE ELECTRIC TEMPLATE

BBEL - CBEL - FBEL
4-1/2" x 4", 4-1/2" x 4-1/2"



L30

HINGES ARE NON-LOAD BEARING AND MUST BE MOUNTED IN THE CENTER POSITION ONLY.

For use with 4.500 inch full mortise 3 & 5 knuckle ball bearing hinge standard weight only.



Part Number			Gauge of Metal	"E" Outside Dia.	"L" Leaf Width
Steel	Brass	Stainless			
BB81EL	BB21EL	BB51EL	.134"	.600"	2.00" (4.5" x 4")
CB81EL	CB21EL	CB51EL			
BB81EL	BB21EL	BB51EL	.134"	.600"	2.25" (4.5" x 4.5")
CB81EL	CB21EL	CB51EL			

NOTE:
 USE MANUFACTURERS
 TEMPLATING FOR MOUNTING
 HOLE DIMENSIONS.
 INSTALLATION HOLES FOR
 WIRES TO BE BURR FREE.

NOTE:

- 1 screw pack includes all machine screws (8), and 1/2 wood screws (4). ATMS & AWS also available.
- Screw size: FHMS - 12-24 x 1/2"
FHWS - 12 x 1-1/4"
- All hinges are ANSI template.

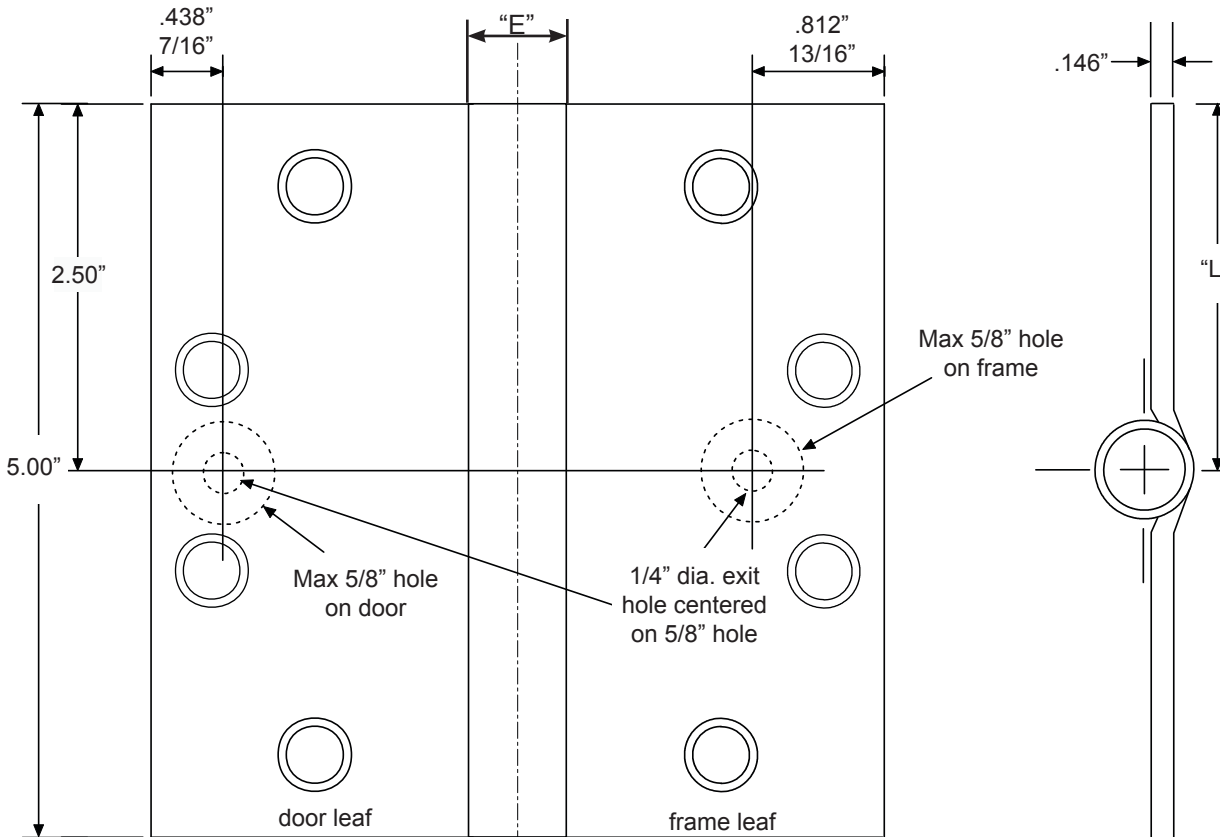
PBB, Inc.
 World Class Hinges
 1311 E. Philadelphia Street • Ontario • CA 91761 • USA
 PBB reserves the right to make changes without notice.

Template: BB/CB45EL



FULL MORTISE ELECTRIC TEMPLATE

BBEL - CBEL - FBEL
5" x 4" 5" x 4 1/2" 5" x 5"



RIGHT HAND SHOWN

HINGES ARE NON-LOAD BEARING AND MUST BE MOUNTED IN THE CENTER POSITION ONLY.

For use with 5.000 inch full mortise 3 & 5 knuckle ball bearing hinge standard weight only.



Part Number			Gauge of Metal	"E" Outside Dia.	"L" Leaf Width
Steel	Brass	Stainless			
BB81EL CB81EL	BB21EL CB21EL	BB51EL CB51EL	.146"	.624"	2.00" (5" x 4")
BB81EL CB81EL	BB21EL CB21EL	BB51EL CB51EL	.146"	.624"	2.25" (5" x 4.5")
BB81EL CB81EL	BB21EL CB21EL	BB51EL CB51EL	.146"	.624"	2.50" (5" x 5")

NOTE:
USE MANUFACTURERS TEMPLATING FOR MOUNTING HOLE DIMENSIONS. FLIP PRINT FOR LEFT HAND MOUNTING. INSTALLATION HOLES FOR WIRES TO BE BURR FREE.

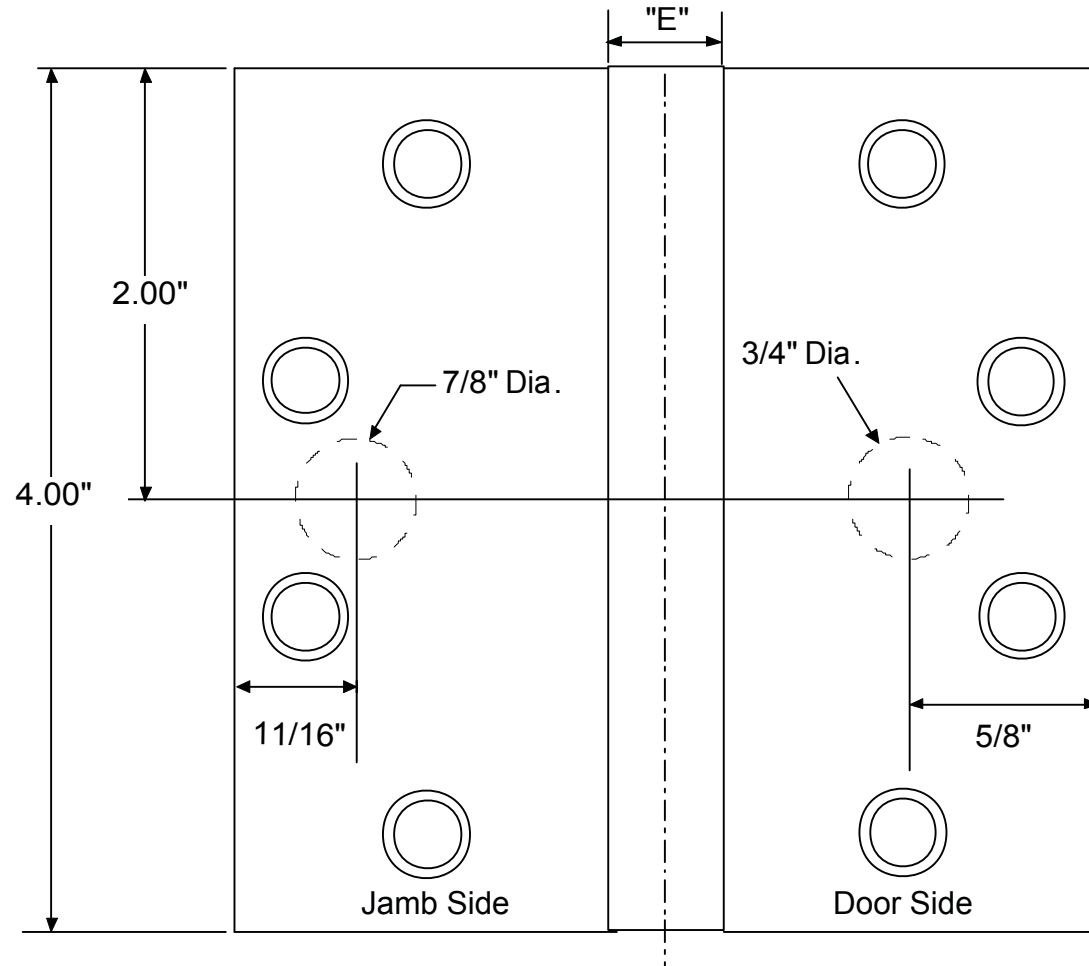
NOTE:
 •1 screw pack includes all machine screws (8), and 1/2 wood screws (4). ATMS & AWS also available.
 •Screw size: FHMS - 12-24 x 1/2"
 FHWS - 12 x 1-1/4"
 •All hinges are ANSI template.



FULL MORTISE MONITOR BALL BEARING TEMPLATE

BBEMEMW

4" x 4"



L32

Part Number			Gauge of Metal	"E" Outside Dia.
Steel	Brass	Stainless		
BB81EM/EMW	BB21EM/EMW	BB51EM/EMW	.130"	.550"

NOTE:

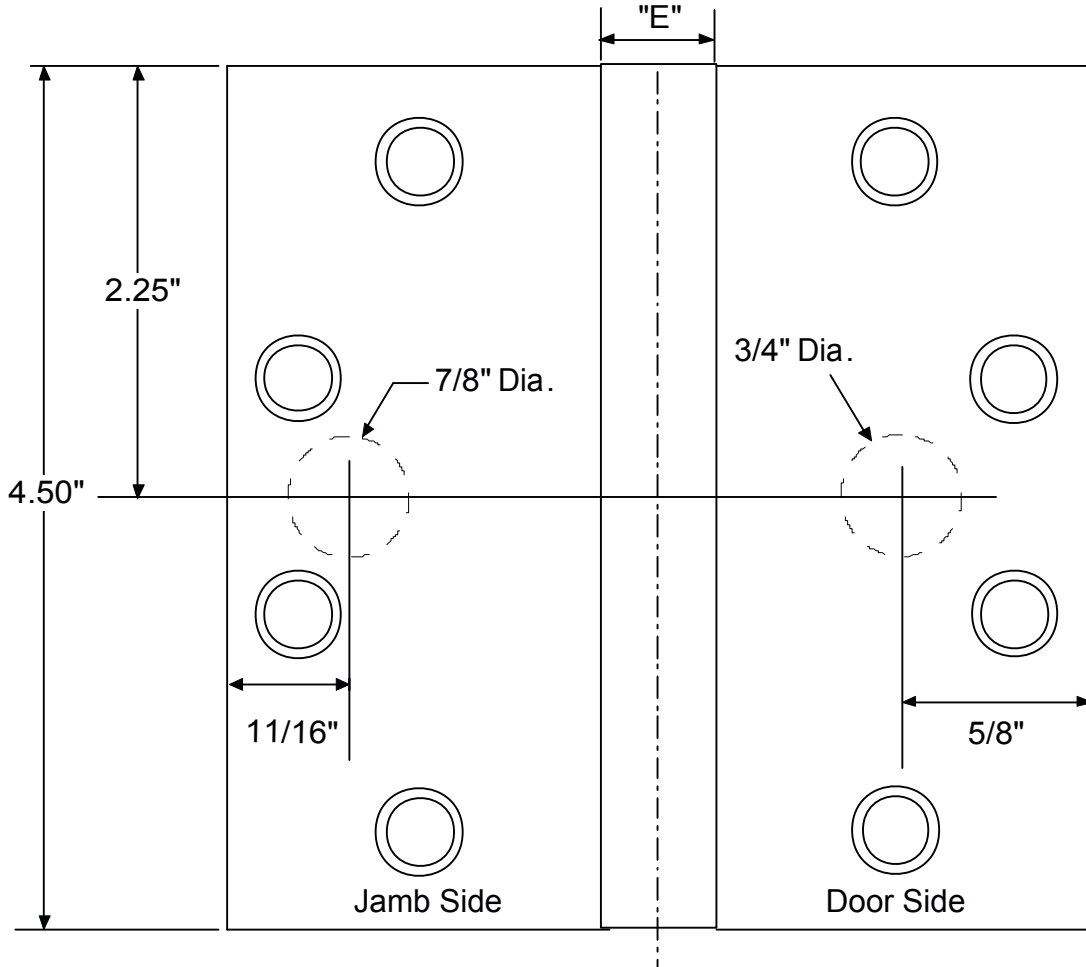
- 1 screw pack includes all machine screws (8), and 1/2 wood screws (4). ATMS & AWS also available.
- Screw size: FHMS - 12-24 x 1/2"
FHWS - 12 x 1 1/4"
- All hinges are ANSI template.



FULL MORTISE MONITOR BALL BEARING TEMPLATE

BBEMEMW

4 1/2" x 4" 4 1/2" x 4 1/2"



L33

Part Number			Gauge of Metal	"E" Outside Dia.
Steel	Brass	Stainless		
BB81EM/EMW	BB21EM/EMW	BB51EM/EMW	.134"	.600"

NOTE:

- 1 screw pack includes all machine screws (8), and 1/2 wood screws (4). ATMS & AWS also available.
- Screw size: FHMS - 12-24 x 1/2"
FHWS - 12 x 1 1/4"
- All hinges are ANSI template.

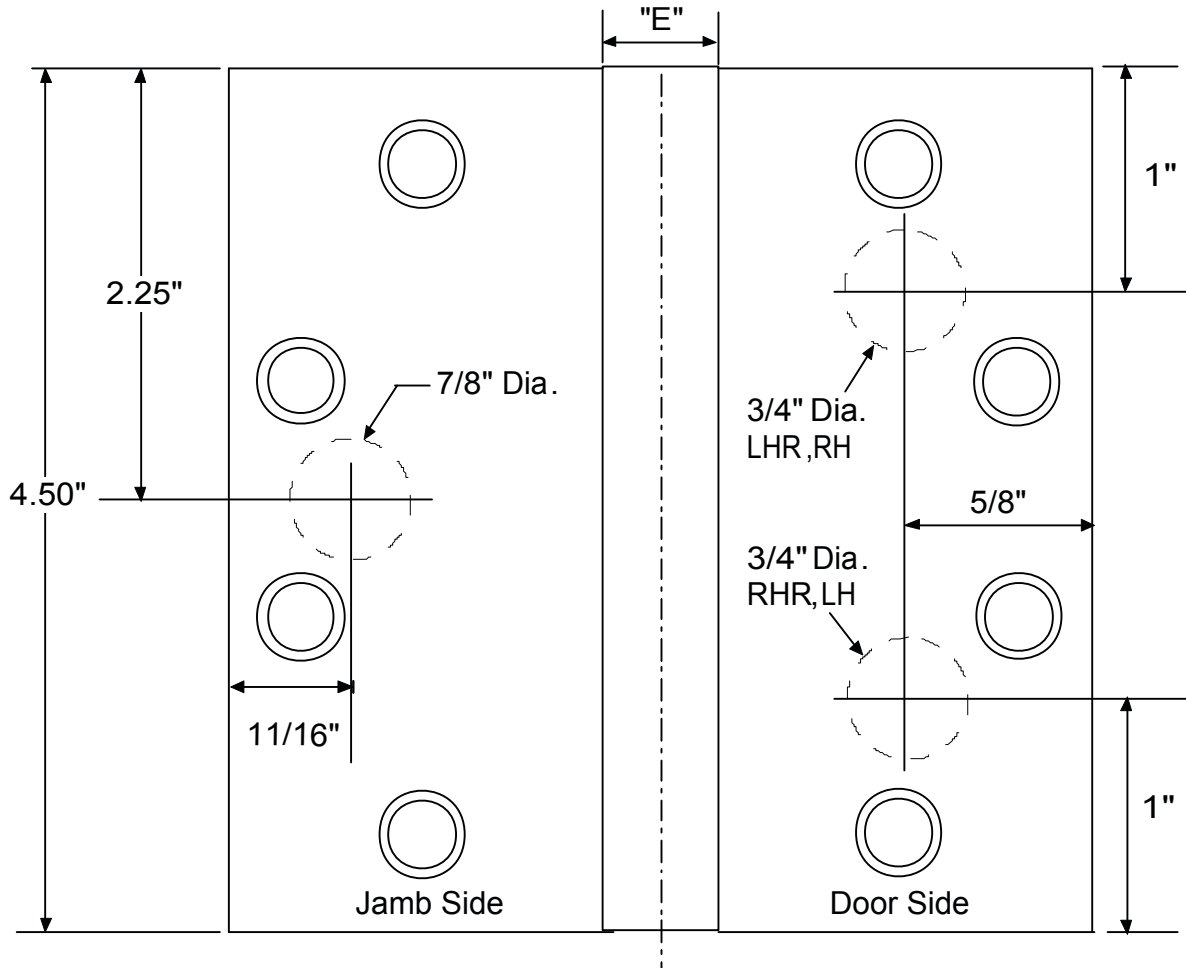
Template: BB45EM/EMW



FULL MORTISE MONITOR CONCEALED BEARING TEMPLATE

CBEMEMW

4 1/2" x 4" 4 1/2" x 4 1/2"



L34

Part Number			Gauge of Metal	"E" Outside Dia.
Steel	Brass	Stainless		
CB81EM/EMW	CB21EM/EMW	CB51EM/EMW	.134"	.600"

NOTE:

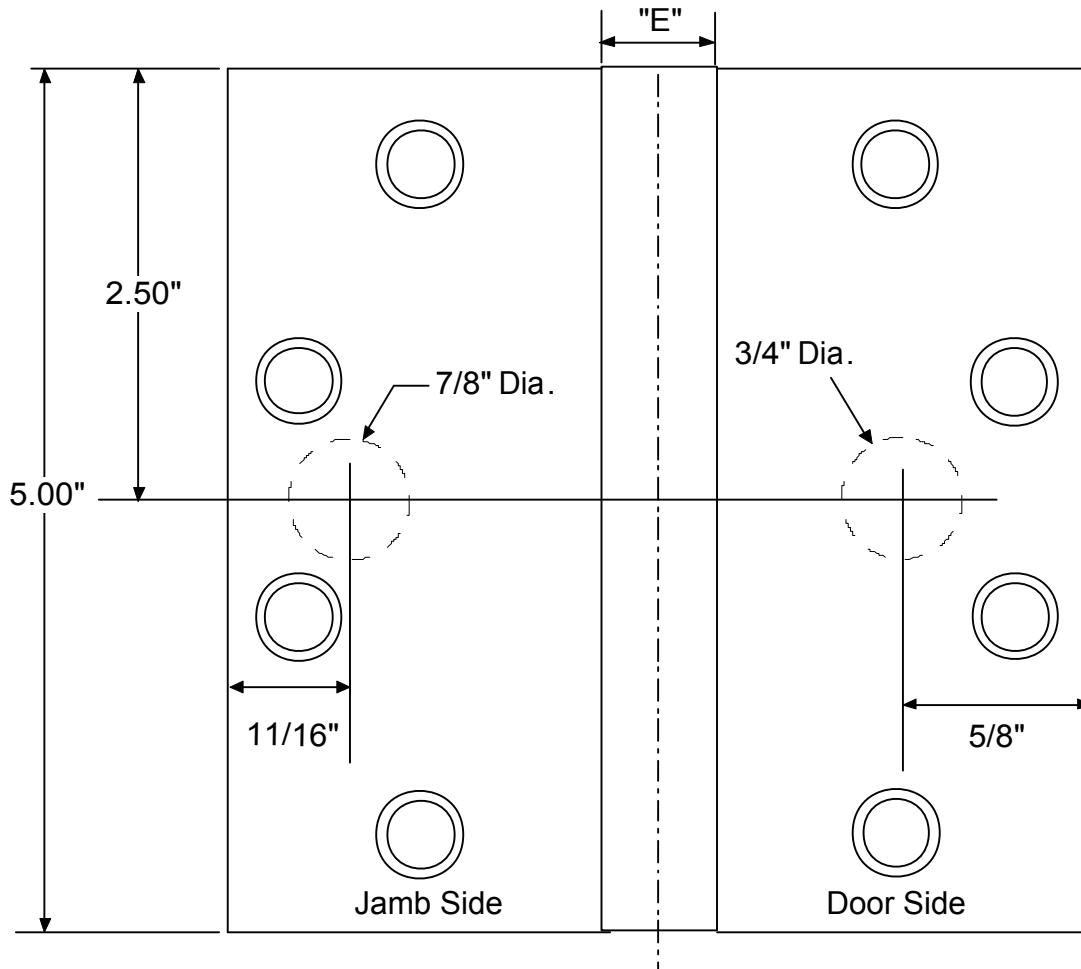
- 1 screw pack includes all machine screws (8), and 1/2 wood screws (4). ATMS & AWS also available.
- Screw size: FHMS - 12-24 x 1/2"
FHWS - 12 x 1 1/4"
- All hinges are ANSI template.



FULL MORTISE MONITOR BALL BEARING TEMPLATE

BBEMEMW

5" x 4" 5" x 4 1/2" 5" x 5



L35

Part Number			Gauge of Metal	"E" Outside Dia.
Steel	Brass	Stainless		
BB81EM/EMW	BB21EM/EMW	BB51EM/EMW	.146"	.624"

NOTE:

- 1 screw pack includes all machine screws (8), and 1/2 wood screws (4). ATMS & AWS also available.
- Screw size: FHMS - 12-24 x 1/2"
FHWS - 12 x 1 1/4"
- All hinges are ANSI template.

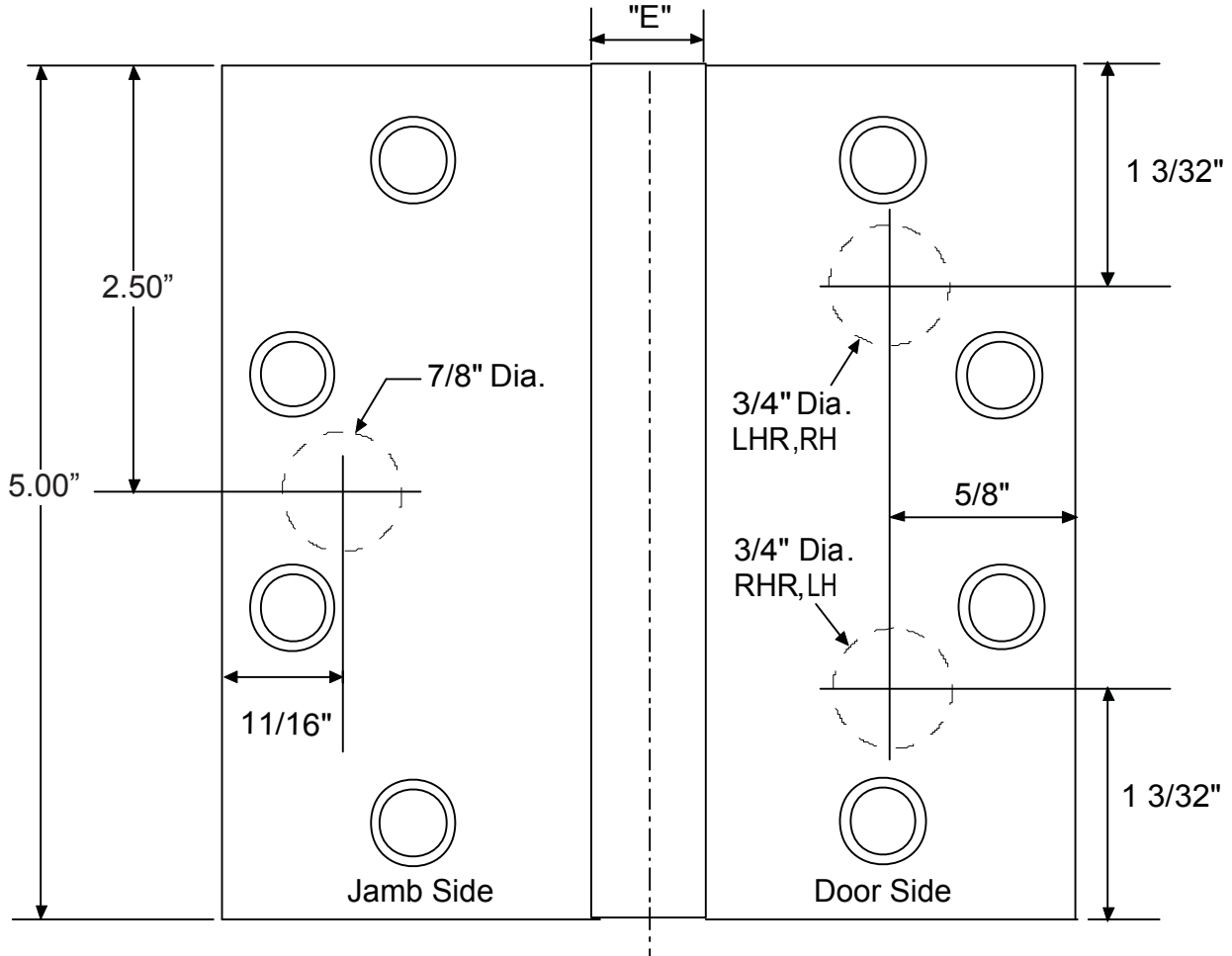
Template: BB50EMEMW



FULL MORTISE MONITOR CONCEALED BEARING TEMPLATE

CBEM/EMW

5" x 4" 5" x 4 1/2" 5" x 5



L36

Part Number			Gauge of Metal	"E" Outside Dia.
Steel	Brass	Stainless		
CB81EM/EMW	CB21EM/EMW	CB51EM/EMW	.146"	.624"

NOTE:

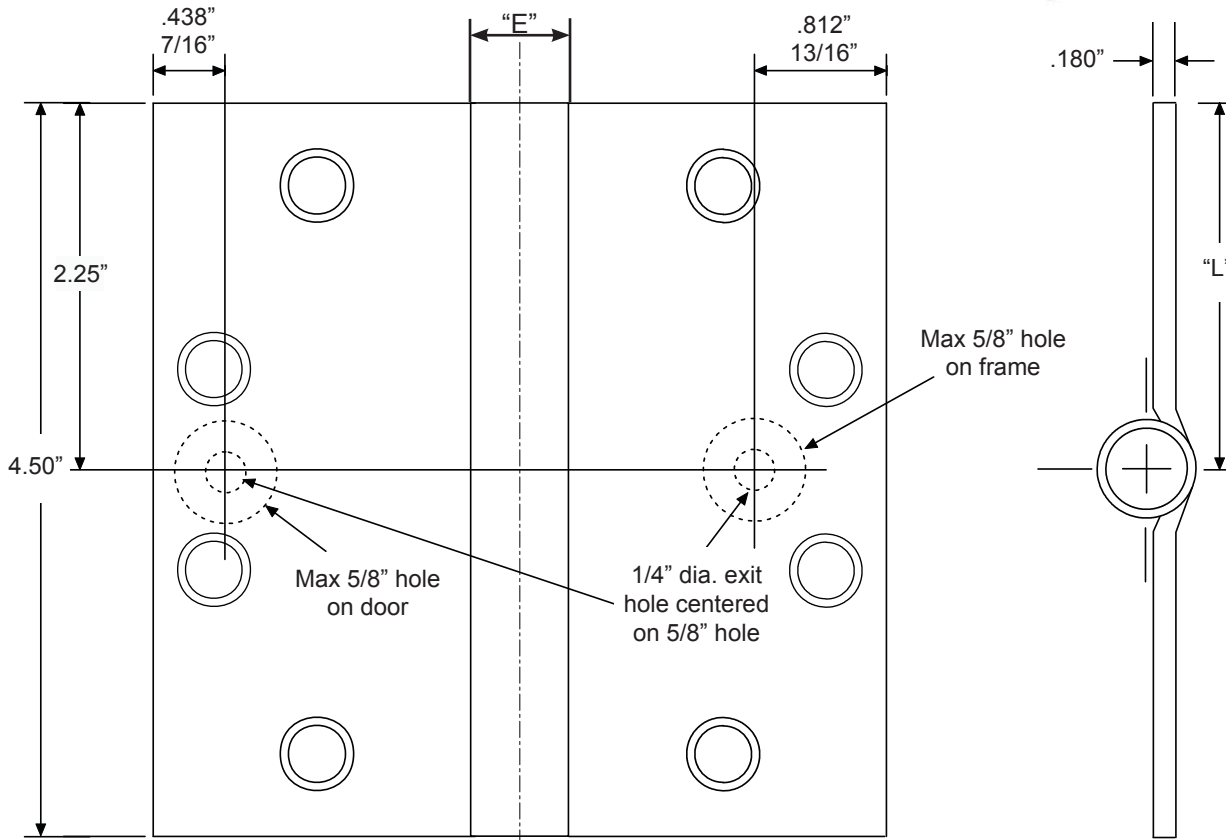
- 1 screw pack includes all machine screws (8), and 1/2 wood screws (4). ATMS & AWS also available.
- Screw size: FHMS - 12-24 x 1/2"
FHWS - 12 x 1 1/4"
- All hinges are ANSI template.

Template: CB50EM/EMW



FULL MORTISE CONCEALED ELECTRIC TEMPLATE

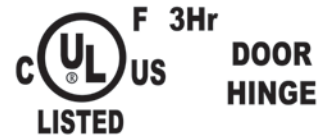
4BEL - 4CEL - 4FEL
4-1/2" x 4", 4-1/2" x 4-1/2"



L37

HINGES ARE NON-LOAD BEARING AND MUST BE MOUNTED IN THE CENTER POSITION ONLY.

For use with 4.500 inch full mortise 3 & 5 knuckle ball bearing hinge heavy weight only.



Part Number			Gauge of Metal	"E" Outside Dia.	"L" Leaf Width
Steel	Brass	Stainless			
4B81EL	4B21EL	4B51EL	.180"	.720"	2.00" (4.5" x 4")
4C81EL	4C21EL	4C51EL	.180"	.720"	2.25" (4.5" x 4.5")

NOTE:
 USE MANUFACTURERS
 TEMPLATING FOR MOUNTING
 HOLE DIMENSIONS.
 INSTALLATION HOLES FOR
 WIRES TO BE BURR FREE.

NOTE:

- 1 screw pack includes all machine screws (8), and 1/2 wood screws (4). ATMS & AWS also available.
- Screw size: FHMS - 12-24 x 1/2"
FHWS - 12 x 1-1/4"
- All hinges are ANSI template.

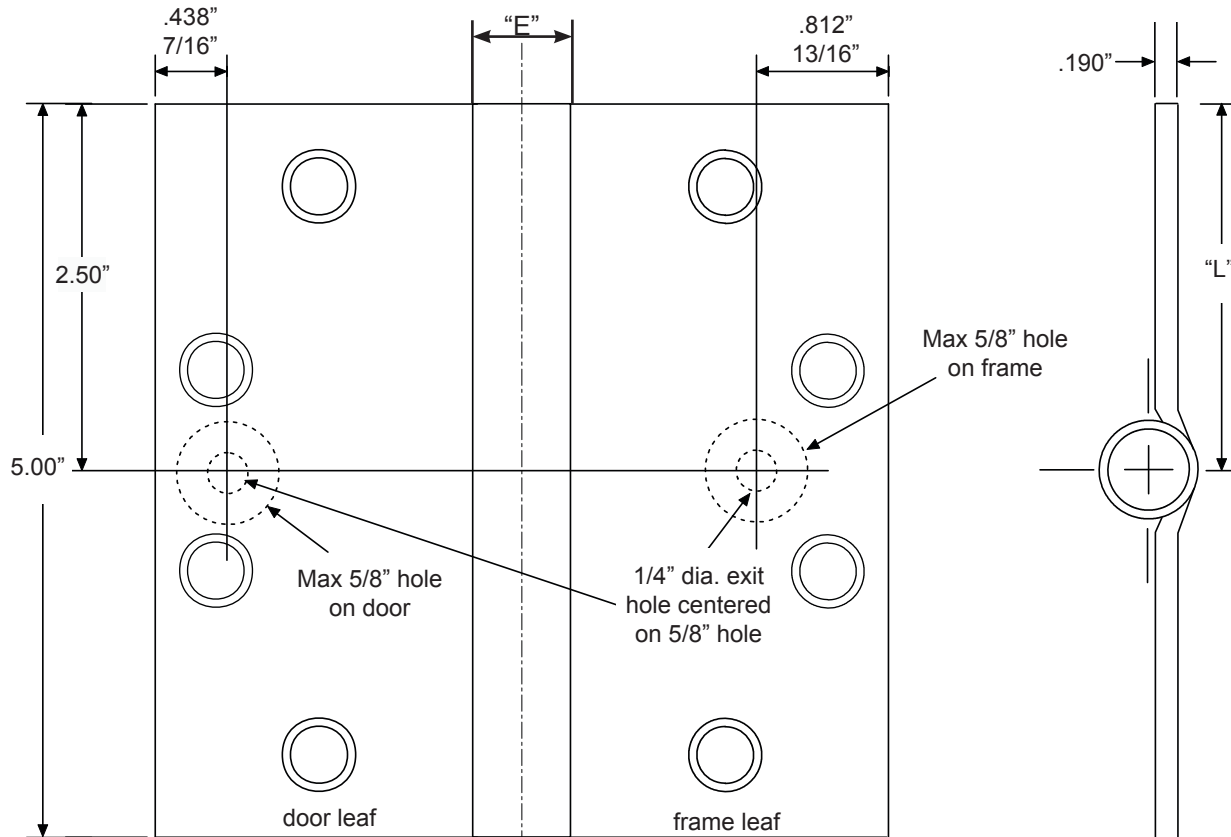
Template: 4B/4C45EL



FULL MORTISE CONCEALED ELECTRIC TEMPLATE

4BEL - 4CEL - 4FEL

5" x 4" 5" x 4 1/2" 5" x 5"



L38

RIGHT HAND SHOWN

HINGES ARE NON-LOAD BEARING AND MUST BE MOUNTED IN THE CENTER POSITION ONLY.



Part Number			Gauge of Metal	"E" Outside Dia.	"L" Leaf Width
Steel	Brass	Stainless			
4B81EL	4B21EL	4B51EL	.190"	.740"	2.00"
4C81EL	4C21EL	4C51EL			(5" x 4")
4B81EL	4B21EL	4B51EL	.190"	.740"	2.25"
4C81EL	4C21EL	4C51EL			(5" x 4.5")
4B81EL	4B21EL	4B51EL	.190"	.740"	2.50"
4C81EL	4C21EL	4C51EL			(5" x 5")

NOTE:
USE MANUFACTURERS TEMPLATING FOR MOUNTING HOLE DIMENSIONS. FLIP PRINT FOR LEFT HAND MOUNTING. INSTALLATION HOLES FOR WIRES TO BE BURR FREE.

NOTE:

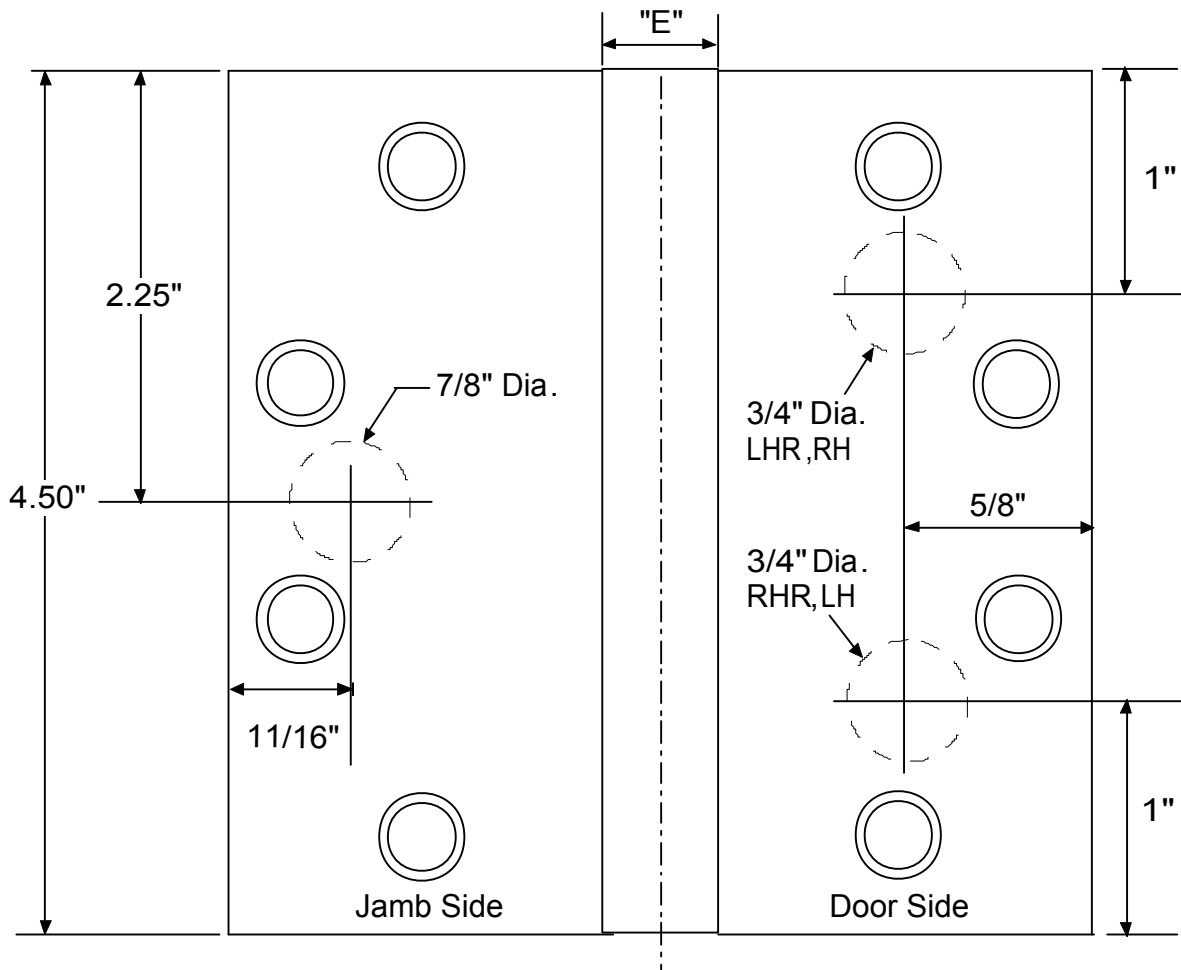
- 1 screw pack includes all machine screws (8), and 1/2 wood screws (4). ATMS & AWS also available.
- Screw size: FHMS - 12-24 x 1/2"
FHWS - 12 x 1-1/4"
- All hinges are ANSI template.

Template: 4B/4C50EL



FULL MORTISE MONITOR BALL BEARING HEAVY WEIGHT

4BEM/EMW - 4CEM/EMW
4 1 1/2" X 4" 4 1 1/2" X 4 1 1/2"



L39

Part Number			Gauge of Metal	"E" Outside Dia.
Steel	Brass	Stainless		
4B81EM/EMW	4B21EM/EMW	4B51EM/EMW	.180"	.725"
4C81EM/EMW	4C21EM/EMW	4C51EM/EMW		

NOTE:

- 1 screw pack includes all machine screws (8), and 1/2 wood screws (4). ATMS & AWS also available.
- Screw size: FHMS - 12-24 x 1/2"
 FHWS - 12 x 1 1/4"
- All hinges are ANSI template.

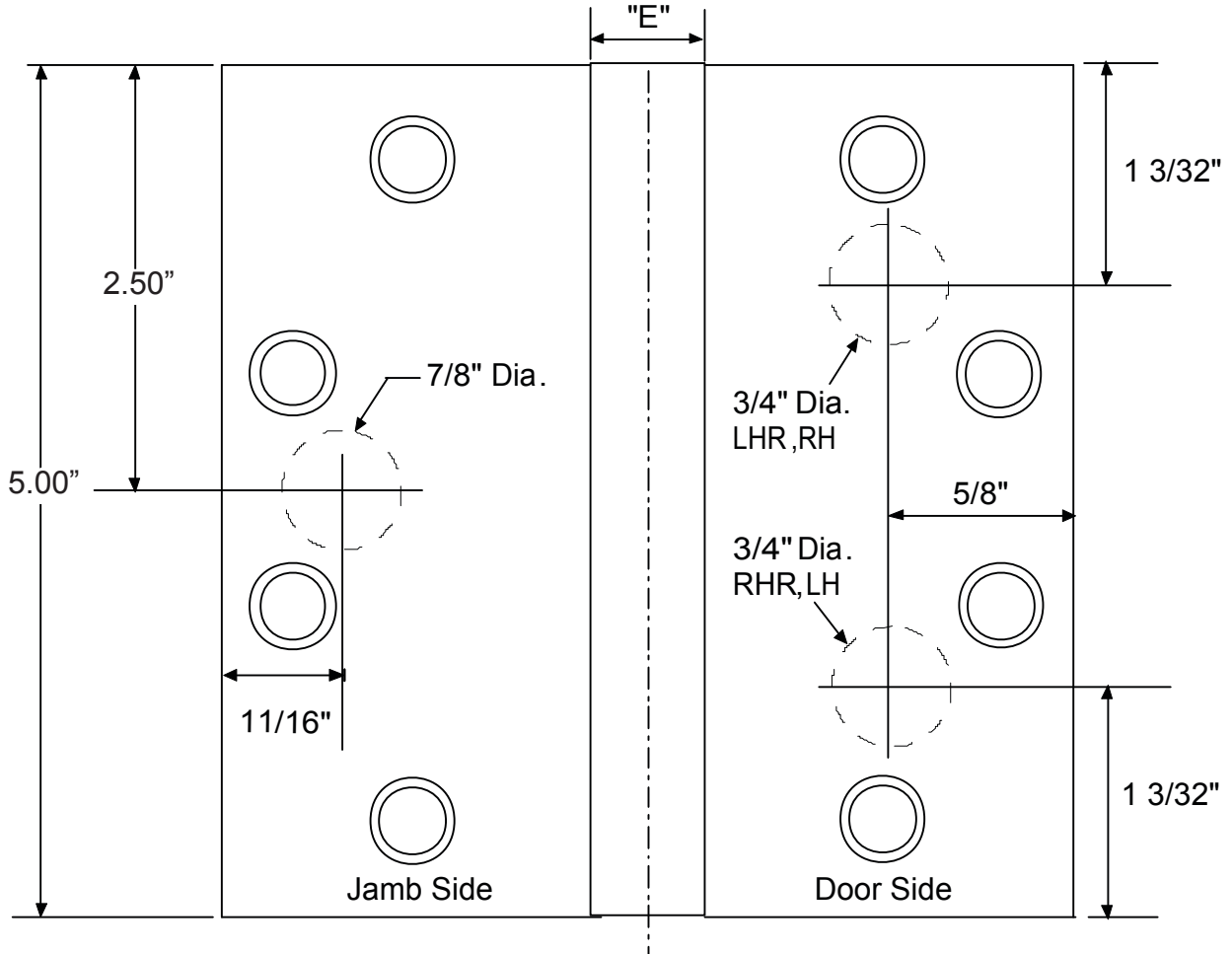
Template: 4B/4C45EM/EMW



FULL MORTISE MONITOR BALL BEARING HEAVY WEIGHT

4BEM/EMW - 4CEM/EMW

5" X 4" 5" x 4 1/2" 5" x 5"



L40

Part Number			Gauge of Metal	"E" Outside Dia.
Steel	Brass	Stainless		
4B81EM/EMW 4C81EM/EMW	4B21EM/EMW 4C21EM/EMW	4B51EM/EMW 4C51EM/EMW	.190"	.740"

NOTE:

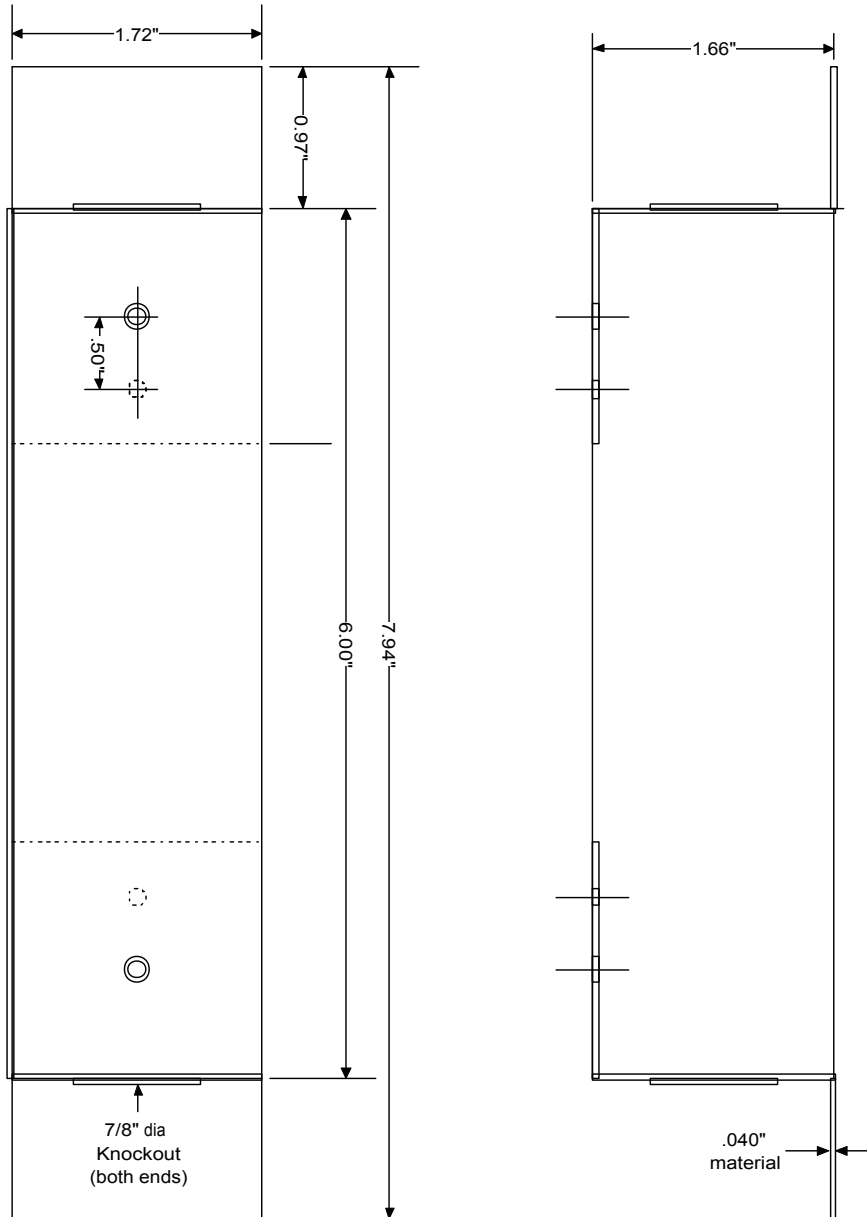
- 1 screw pack includes all machine screws (8), and 1/2 wood screws (4). ATMS & AWS also available.
- Screw size: FHMS - 12-24 x 1/2"
FHWS - 12 x 1 1/4"
- All hinges are ANSI template.

Template: 4B/4C50EM/EMW



ELECTRIC HINGE MORTAR GUARD TEMPLATE

6" - 7"



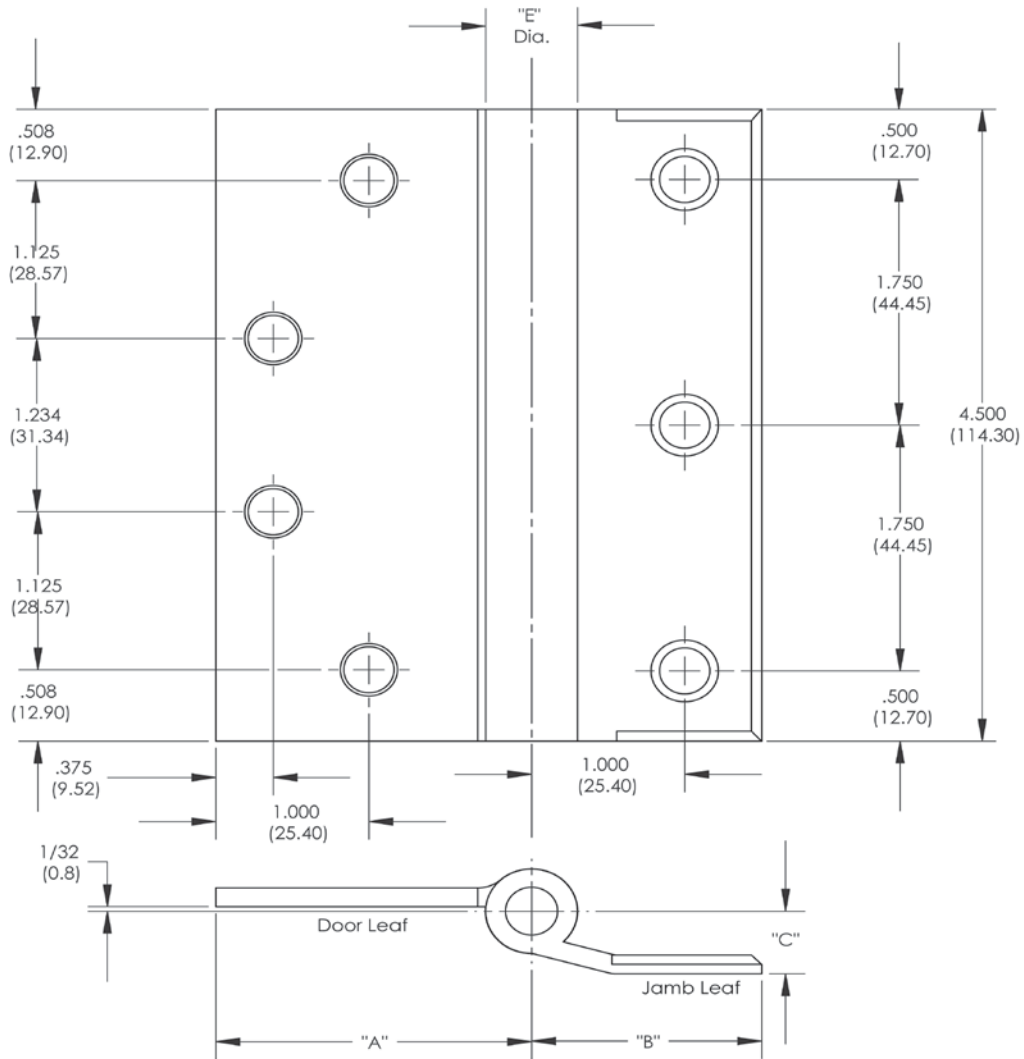
L41

NOTE:
•Zinc Plated .040 Sheet
•Adjustable from 6" to 7"
•Must be adjusted before spot weld.
•Removable cover plate for service.
•2 - #8 x 1/4



HALF MORTISE TEMPLATE

PB - CP - BB - CB - 4B - 4C
4-112"



L42

Part Number			Gauge of Metal	"E" Outside Dia.	"A" To Center Line	"B" To Center Line	"C" Jamb Leaf Offset
Steel	Brass	Stainless					
PB82/CP82	PB22/CP22	PB52/CP52	.134"	.593"	2-1/16"	1-1/2"	7/16"
BB82/CB82	BB22/CB22	BB52/CB52	.134"	.593"	2-1/16"	1-1/2"	7/16"

NOTE:

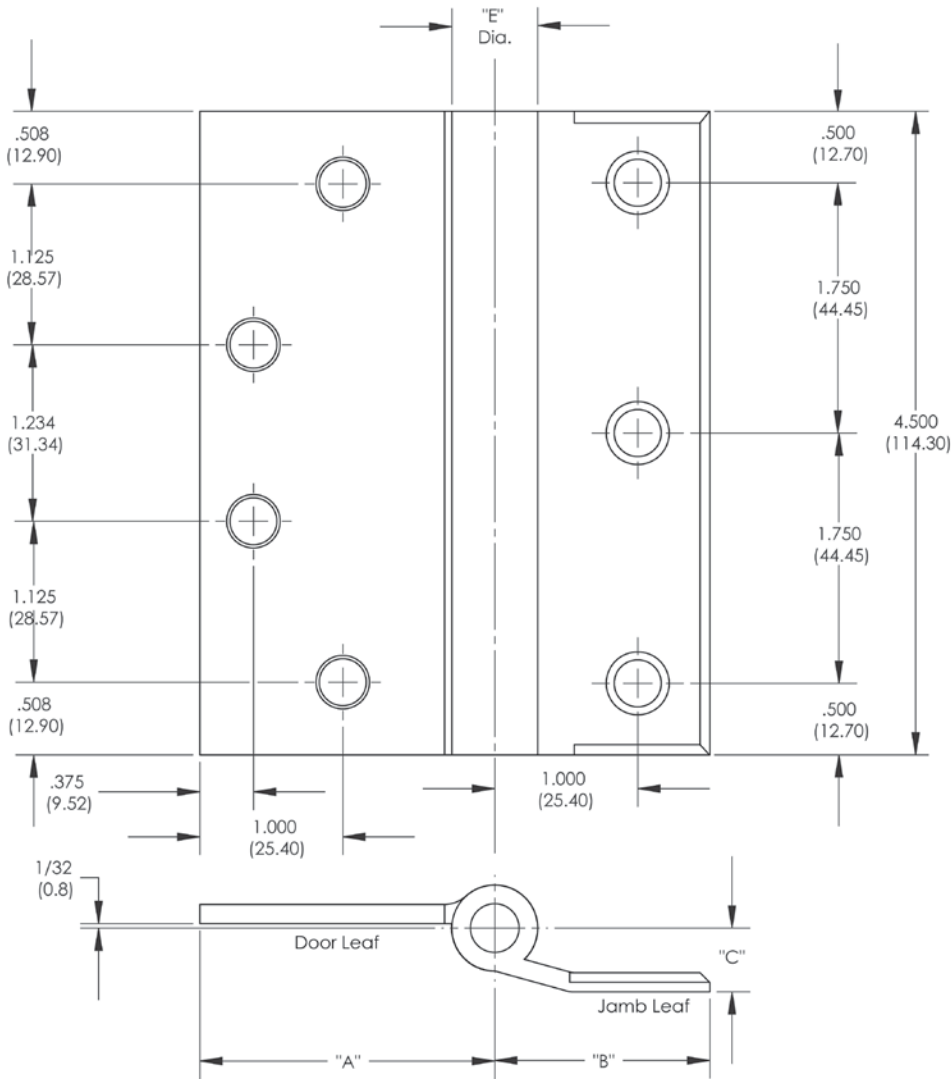
- 1 screw pack includes all machine screws (7).
- Screw size: FHMS - 12-24 x 1/2"
OHMS - 12-24 x 1/2"
- All half mortise hinges are made for reversible applications.
- All hinges are ANSI template.

Template: BB8245



HALF MORTISE TEMPLATE

4B - 4C
4 1/2"



L43

Part Number			Gauge of Metal	"E" Outside Dia.	"A" To Center Line	"B" To Center Line	"C" Jamb Leaf Offset
Steel	Brass	Stainless					
4B82/4C82	4B22/4C22	4B52/4C52	.180"	.725"	2-1/8"	1-1/2"	1/2"

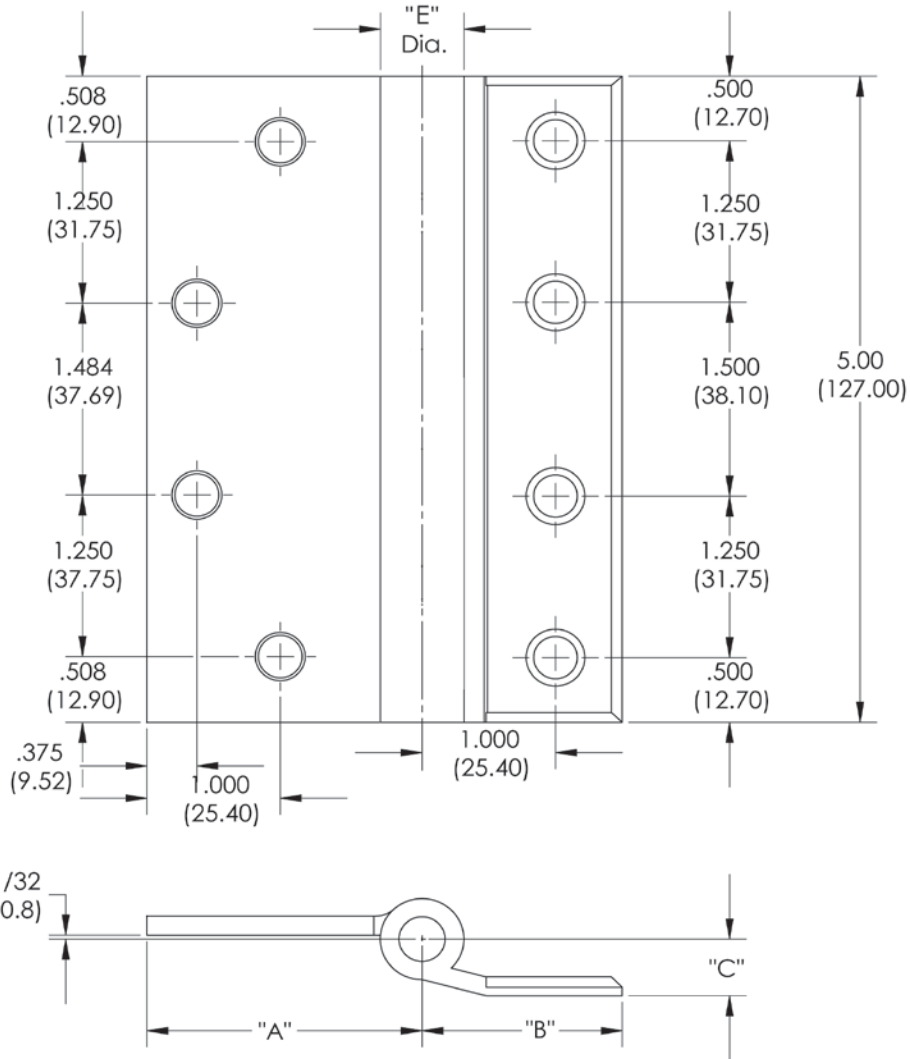
NOTE:

- 1 screw pack includes all machine screws (7).
- Screw size: FHMS - 12-24 x 1/2"
OHMS - 12-24 x 1/2"
- All half mortise hinges are made for reversible applications.
- All hinges are ANSI template.



HALF MORTISE TEMPLATE

4B - 4C
5"



L44

Part Number			Gauge of Metal	"E" Outside Dia.	"A" To Center Line	"B" To Center Line	"C" Jamb Leaf Offset
Steel	Brass	Stainless					
4B82/4C82	4B22/4C22	4B52/4C52	.190"	.725"	2-1/8"	1-1/2"	1/2"

NOTE:

- 1 screw pack includes all machine screws (8).
- Screw size: FHMS - 12-24 x 1/2"
OHMS - 12-24 x 1/2"
- All half mortise hinges are made for reversible applications.
- All hinges are ANSI template.

PBB, Inc.
 World Class Hinges
 1311 E. Philadelphia Street • Ontario • CA 91761 • USA
 PBB reserves the right to make changes without notice.

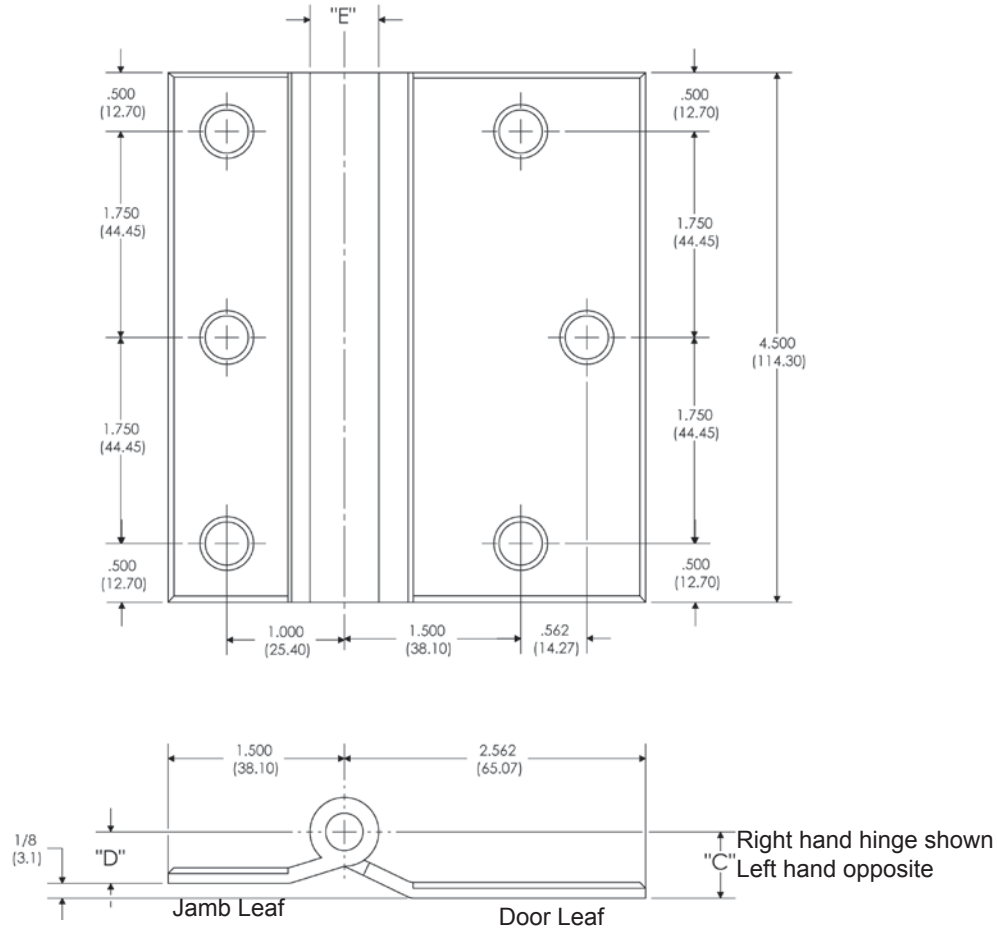
Template: 4B8250



FULL SURFACE TEMPLATE

PB - CP - BB - CB
4-112"

L45



Part Number			Gauge of Metal	"E" Outside Dia.	"C" Door Leaf Offset	"D" Jamb Leaf Offset
Steel	Brass	Stainless				
PB83*/CP83	PB23/CP23	PB53/CP53	.134	.603"	9/16"	7/16"
BB83*/CB83	BB23/CB23	BB53/CB53	.134	.603"	9/16"	7/16"

*Also available as welding butts with identical dimensions and the exclusion of screw holes.

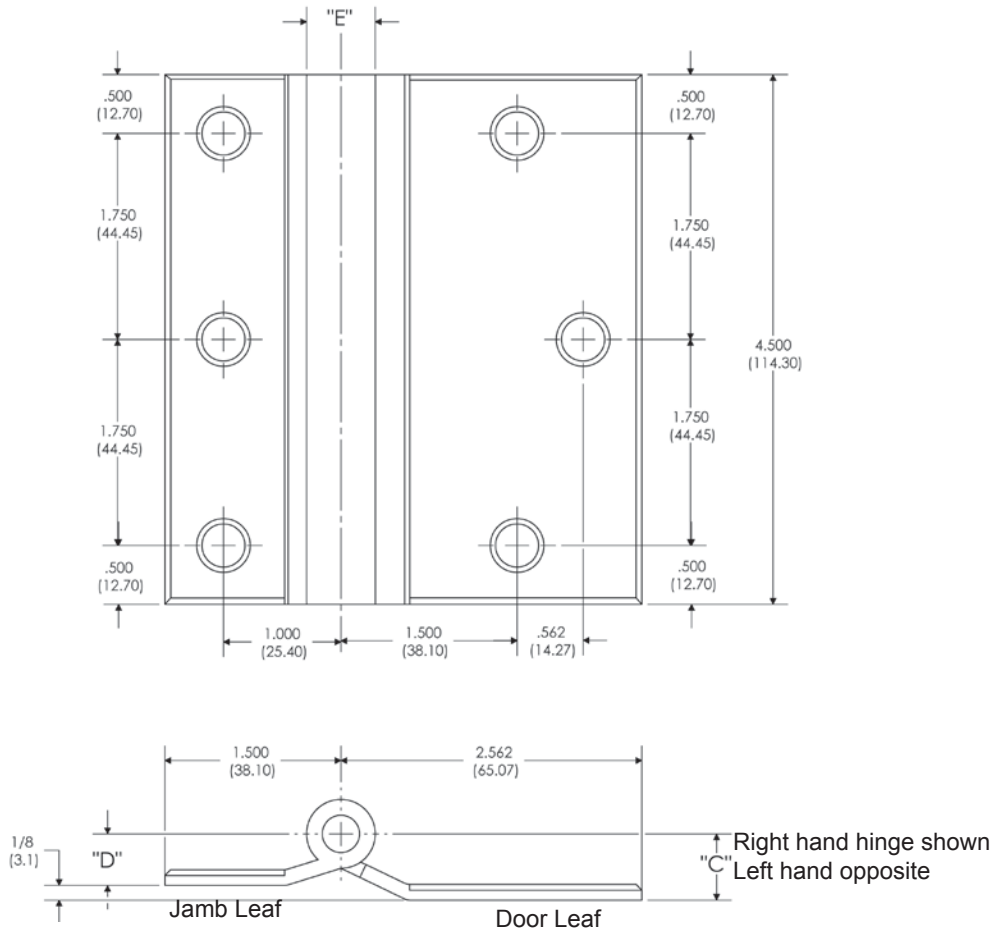
NOTE:

- 1 screw pack includes all machine screws (6) and grommet nuts for 1-3/4" door.
- Screw size: OHMS - 12-24 x 1/2"
OHMS - 2" x 1/4-20
- All full surface hinges are made for reversible applications.
- All hinges are ANSI template.



FULL SURFACE TEMPLATE

4B - 4C
4 1/2"



L46

Part Number			Gauge of Metal	"E" Outside Dia.	"C" Door Leaf Offset	"D" Jamb Leaf Offset
Steel	Brass	Stainless				
4B83*/4C83	4B23/4C23	4B53/4C53	.180	.725"	5/8"	1/2"

*Also available as welding butts with identical dimensions and the exclusion of screw holes.

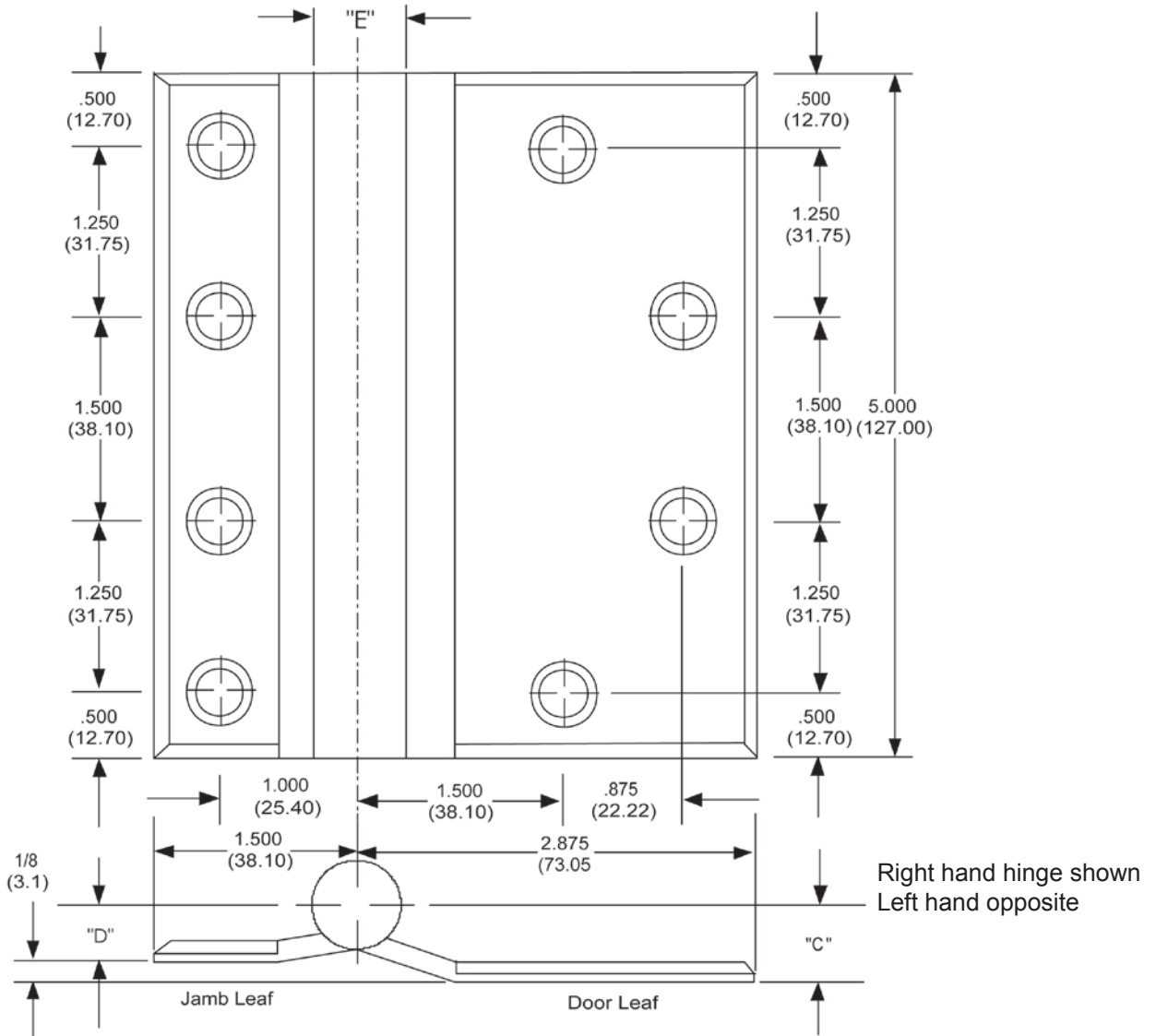
NOTE:

- 1 screw pack includes all machine screws (6) and grommet nuts for 1-3/4" door.
- Screw size: OHMS - 12-24 x 1/2"
OHMS - 2" x 1/4-20
- All full surface hinges are made for reversible applications.
- All hinges are ANSI template.



FULL SURFACE TEMPLATE

4B - 4C
5"



Part Number			Gauge of Metal	"E" Outside Dia.	"C" Door Leaf Offset	"D" Jamb Leaf Offset
Steel	Brass	Stainless				
4B83/4C83	4B23/4C23	4B53/4C53	.190"	.725"	5/8"	1/2"

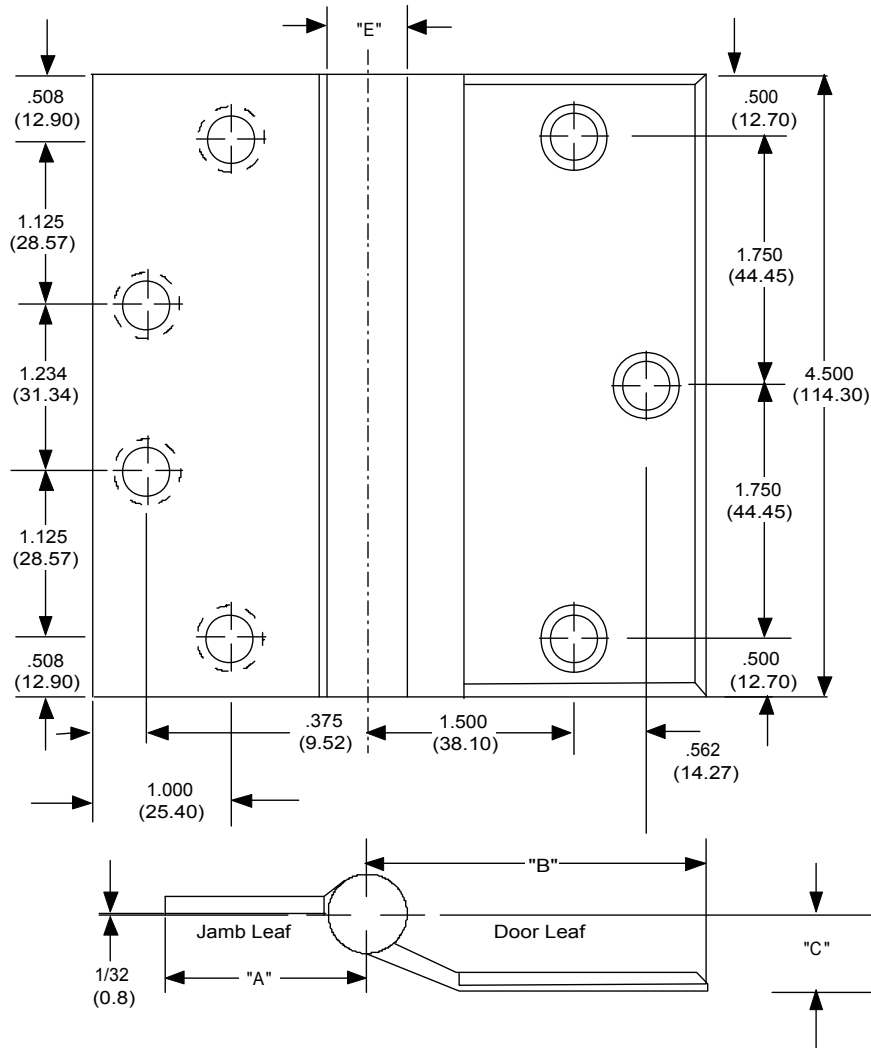
NOTE:

- 1 screw pack includes all machine screws (8) and grommet nuts for 1-3/4" door.
- Screw size: OHMS - 12-24 x 1/2"
OHMS - 2" x 1/4-20
- All full surface hinges are made for reversible applications.
- All hinges are ANSI template.



HALF SURFACE TEMPLATE

PB - CP - BB - CB
4-1/2"



L48

Part Number			Gauge of Metal	"E" Outside Dia.	"A" To Center Line	"B" to Center Line	"C" Jamb Leaf Offset
Steel	Brass	Stainless					
PB84/CP84	PB24/CP24	PB54/CP54	.134"	.603"	2-1/16"	2-9/16"	9/16"
BB84/CB84	BB24/CB24	BB54/CB54	.134"	.603"	2-1/16"	2-9/16"	9/16"

NOTE:

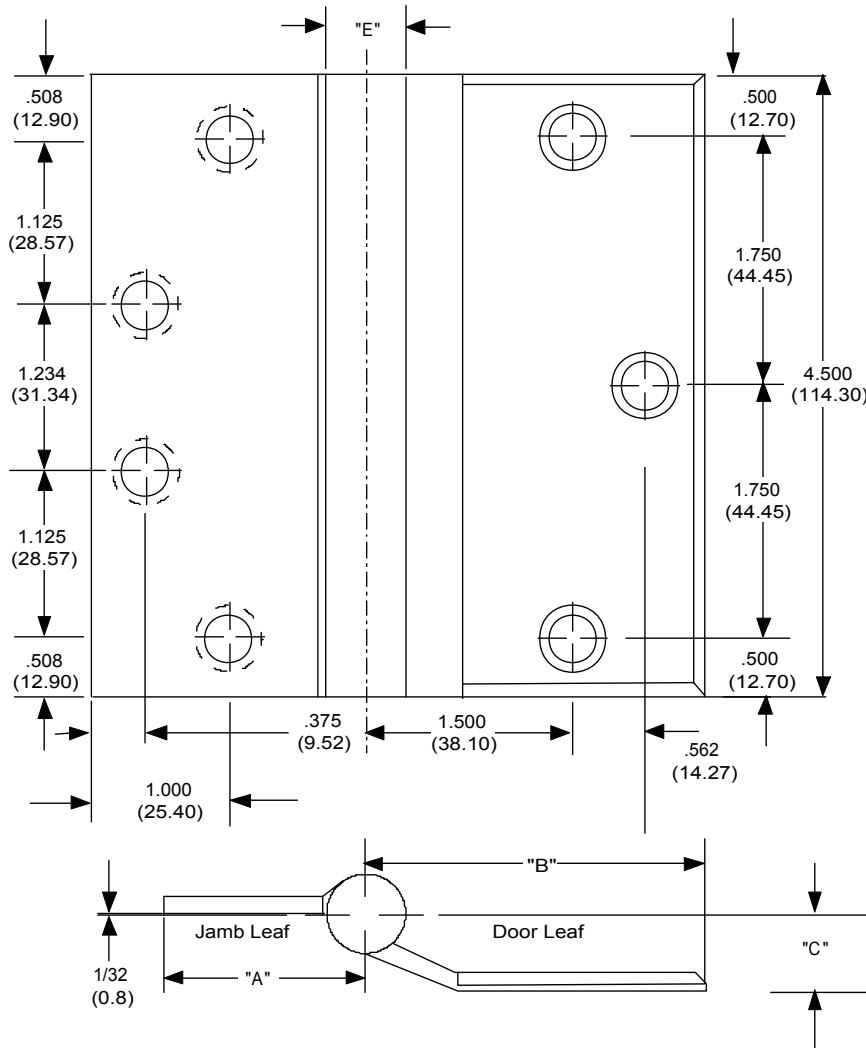
- 1 screw pack includes all machine screws (7) and grommet nuts for 1-3/4" door.
- Screw size: FHMS - 12-24 x 1/2"
OHMS - 2" x 1/4-20
- All half surface hinges are made for reversible applications.
- All hinges are ANSI template.



HALF SURFACE TEMPLATE

4B - 4C
 4 1/2"

L49



Part Number			Gauge of Metal	"E" Outside Dia.	"A" To Center Line	"B" To Center Line	"C" Jamb Leaf Offset
Steel	Brass	Stainless					
4B84/4C84	4B24/4C24	4B54/4C54	.180"	.725"	2-1/8"	2-7/8"	5/8"

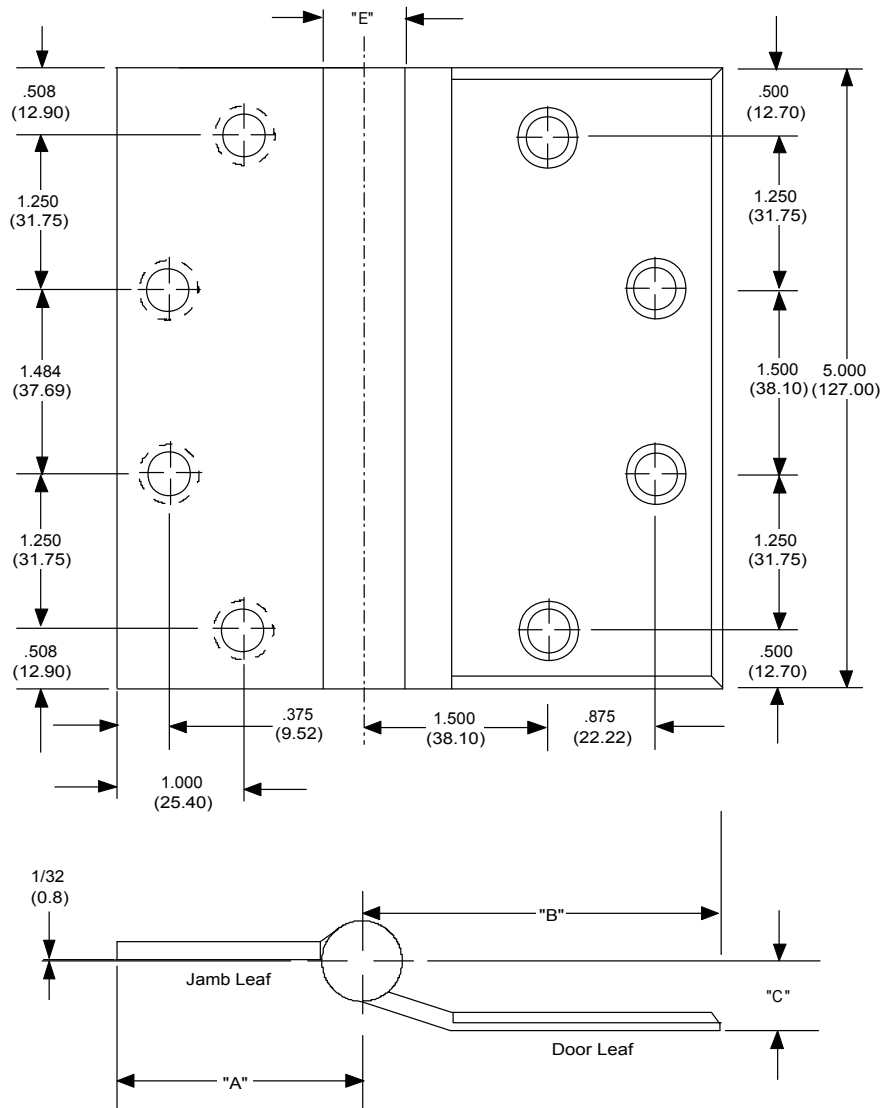
NOTE:

- 1 screw pack includes all machine screws (7) and grommet nuts for 1-3/4 door.
- Screw size: FHMS - 12-24 x 1/2"
OHMS - 2" x 1/4-20
- All half surface hinges are made for reversible applications,
- All hinges are ANSI template.



HALF SURFACE TEMPLATE

4B - 4C
5"



L50

Part Number			Gauge of Metal	"E" Outside Dia.	"A" To Center Line	"B" To Center Line	"C" Jamb Leaf Offset
Steel	Brass	Stainless					
4B84/4C84	4B24/4C24	4B54/4C54	.190"	.725"	2-1/8"	2-7/8"	5/8"

NOTE:

- 1 screw pack includes all machine screws (8) and grommet nuts for 1-3/4 door.
- Screw size: FHMS - 12-24 x 1/2"
OHMS - 2" x 1/4-20
- All half surface hinges are made for reversible applications,
- All hinges are ANSI template.

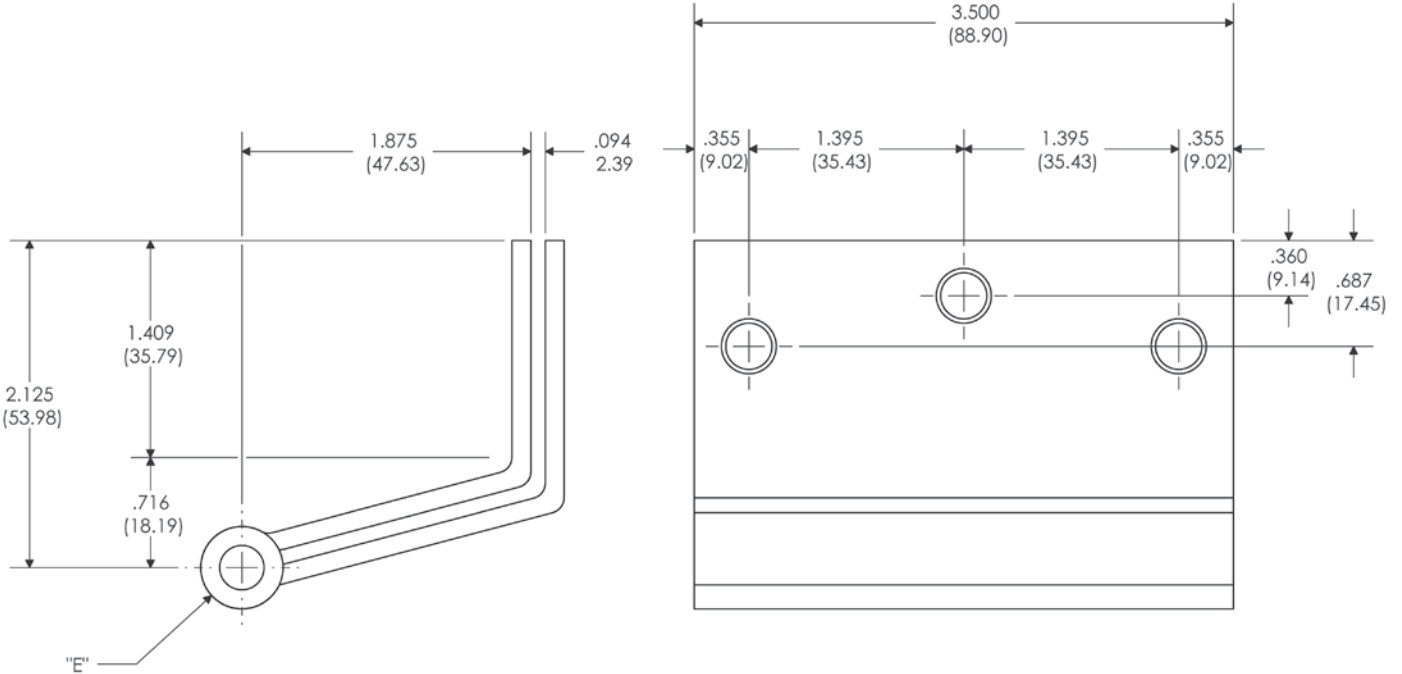
PBB, Inc.
World Class Hinges
1311 E. Philadelphia Street • Ontario • CA 91761 • USA
PBB reserves the right to make changes without notice.

Template: 4B8450



SWING CLEAR FULL MORTISE TEMPLATE PLAIN BEARING

SCPB
3-1/2"



L51

Part Number			Gauge of Metal	"E" Outside Dia.
Steel	Brass	Stainless		
SCPB81	-	SCPB51	.123"	.534"

NOTE:

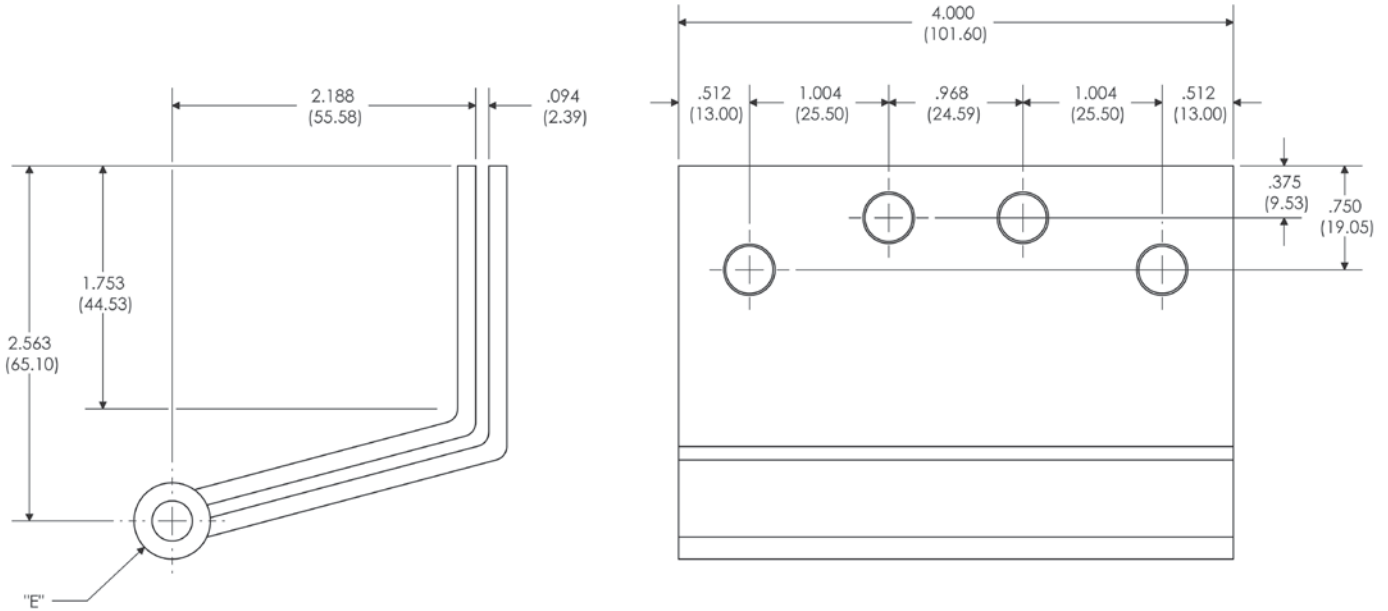
- 1 screw pack includes (18) machine screws and (18) wood screws.
- Screw size: FHMS - 10-24 x 1/2"
FHWS - 10 x 1"
- All hinges are ANSI template.

Template: SCBB8135



SWING CLEAR FULL MORTISE TEMPLATE PLAIN BEARING

SCPB
4"



L52

Part Number			Gauge of Metal	"E" Outside Dia.
Steel	Brass	Stainless		
SCPB81	-	SCPB51	.130"	.550"

NOTE:

- 1 screw pack includes (18) machine screws and (18) wood screws.
- Screw size: FHMS - 12-24 x 1/2"
FHWS - 12 x 1-1/4"
- All hinges are ANSI template.

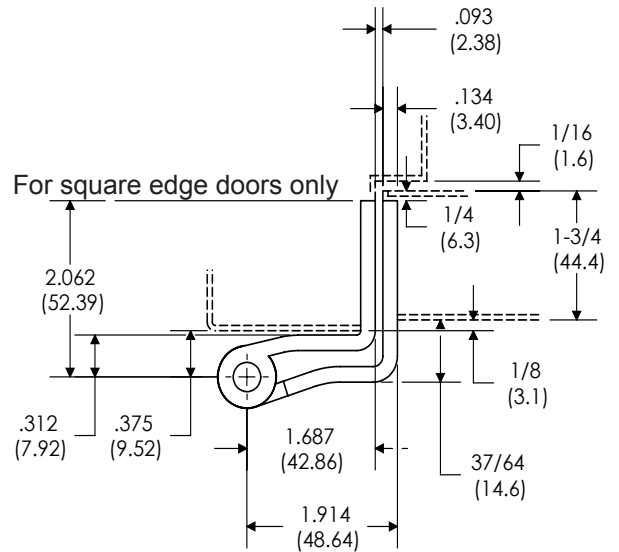
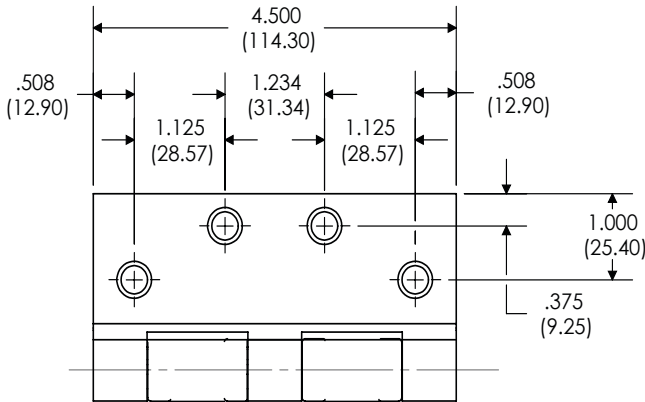
Template: SCBB8140



SWING CLEAR FULL MORTISE TEMPLATE BALL BEARING

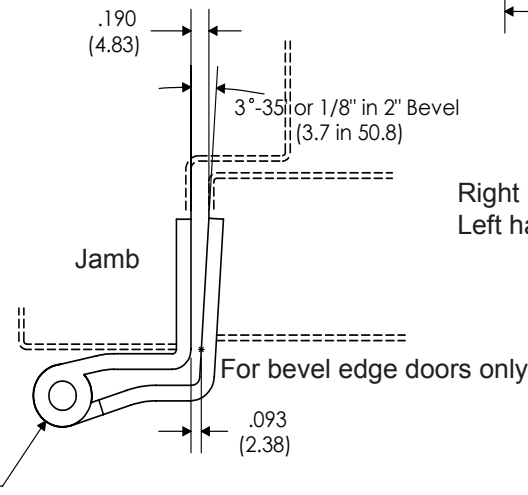
SCFB-SCBB-SCCB

4-1/2"



L53

NOTE: This hinge alters the normal pivot point of door. For door closers, friction or overhead door holders, to be used in conjunction with this hinge, consult manufacturer for the device to be used for application details.



Right hand hinge shown
Left hand opposite

Part Number			Gauge of Metal	"E" Outside Dia.
Steel	Brass	Stainless		
SCBB81/ SCBB81B	-	SCBB51/ SCBB51B	.134"	.603"
SCCB81/ SCCB81B	-	SCCB51/ SCCB51B	.134"	.603"

NOTE:

- 1 screw pack includes all machine screws (24), and 1/2 wood screws (12). ATMS & AWS also available.
- Screw size: FHMS - 12-24 x 1/2"
FHWS - 12 x 1-1/4"
- All swing clear hinges are made for reversible applications.
- All hinges are ANSI template.

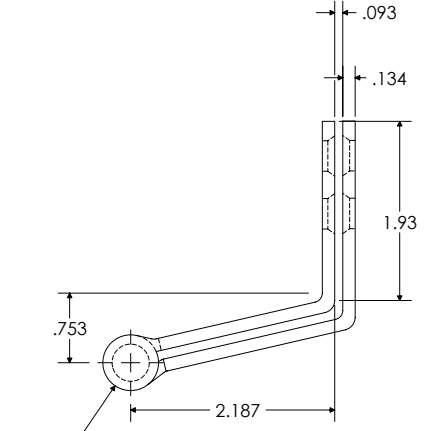
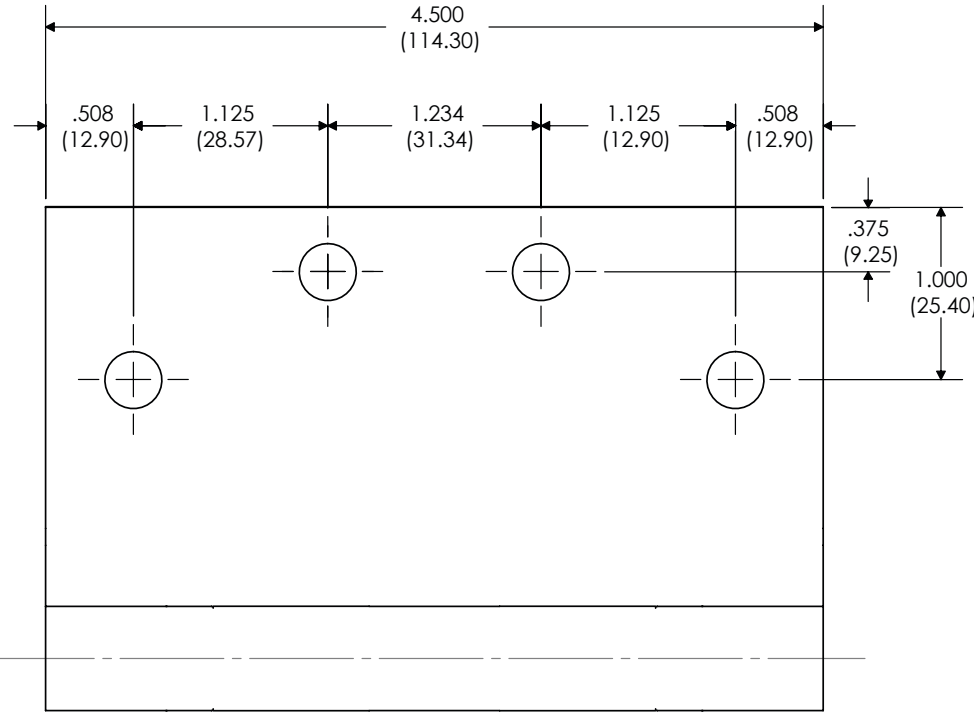
Template: SCBB8145



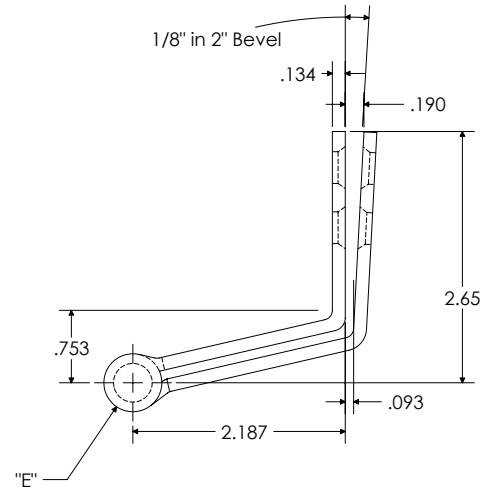
SWING CLEAR FULL MORTISE TEMPLATE BALL BEARING

SCBB
4-1/2"

FOR REDIFRAME



L54



Part Number			Gauge of Metal	"E" Outside Dia.
Steel	Brass	Stainless		
SCBB81	-	SCBB51	.134"	.603"

NOTE:

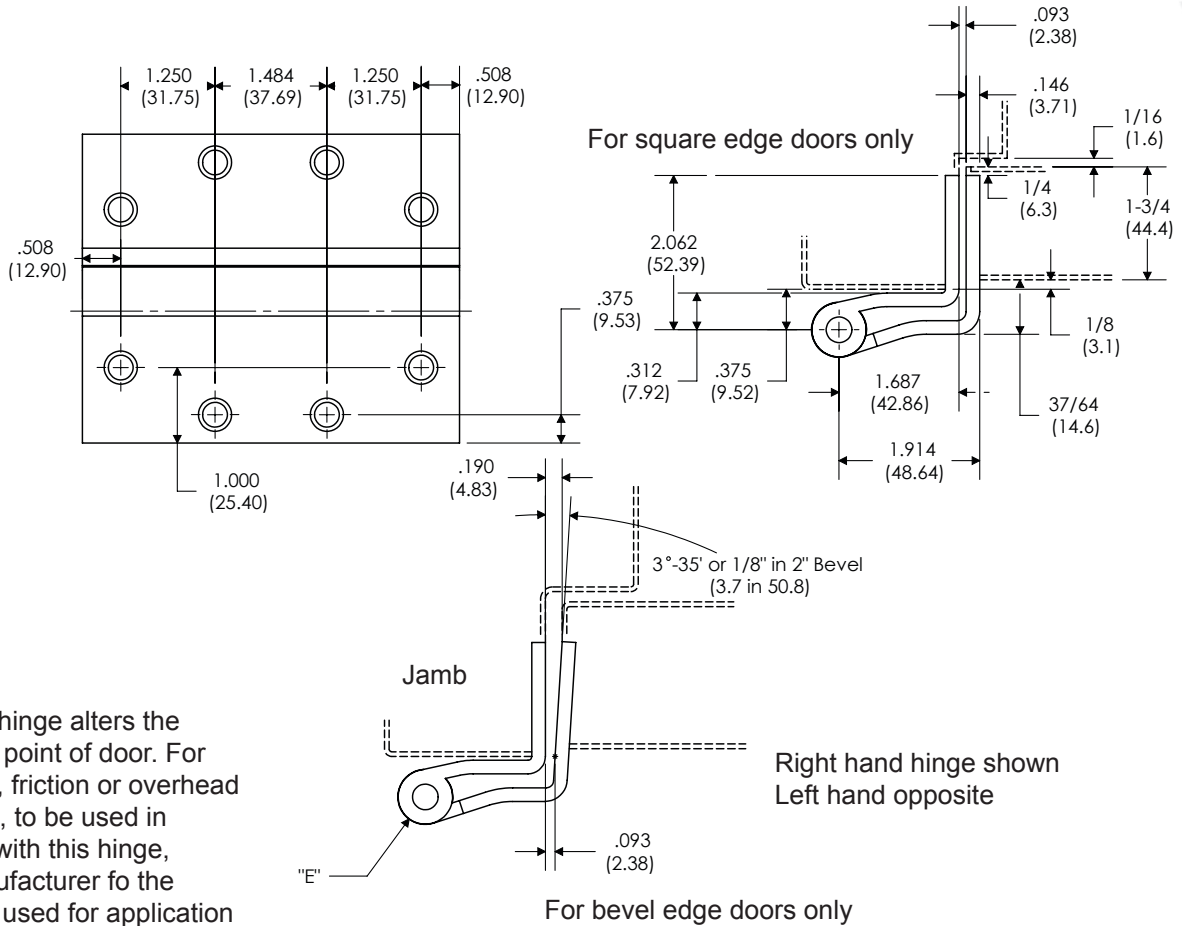
- 1 screw pack includes all machine screws (24), and 1/2 wood screws (12). ATMS & AWS also available.
- Screw size: FHMS - 12-24 x 1/2"
FHWS - 12 x 1-1/4"
- This special model of swing clear hinge is made to specifically fit timely or rediframe trim casing applications.
- All hinges are ANSI template.

Template: SCBB8145T



SWING CLEAR FULL MORTISE TEMPLATE BALL BEARING

SCBB - SCCB
5"



NOTE: This hinge alters the normal pivot point of door. For door closers, friction or overhead door holders, to be used in conjunction with this hinge, consult manufacturer for the device to be used for application details.

Part Number			Gauge of Metal	"E" Outside Dia.
Steel	Brass	Stainless		
SCBB81/ SCBB81B	-	SCBB51/ SCBB51B	.146"	.624"
SCCB81/ SCCB81B	-	SCCB51/ SCCB51B	.146"	.624"

NOTE:

- 1 screw pack includes all machine screws (24), and 1/2 wood screws (12). ATMS & AWS also available.
- Screw size: FHMS - 12-24 x 1/2"
FHWS - 12 x 1-1/4"
- All swing clear hinges are made for reversible applications.
- All hinges are ANSI template.

Template: SCBB8150

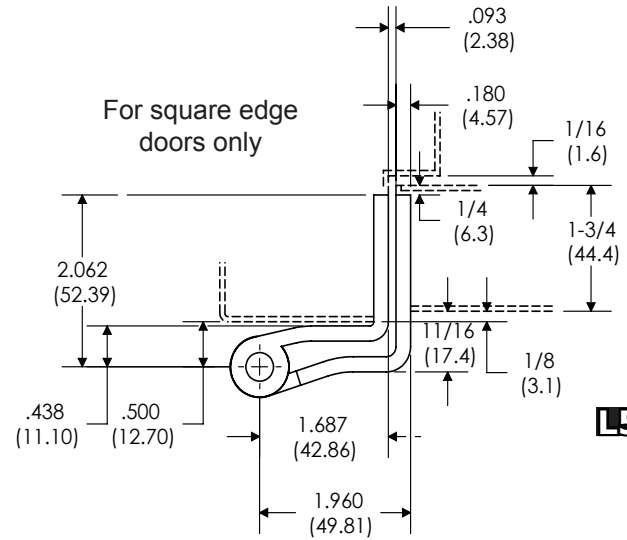
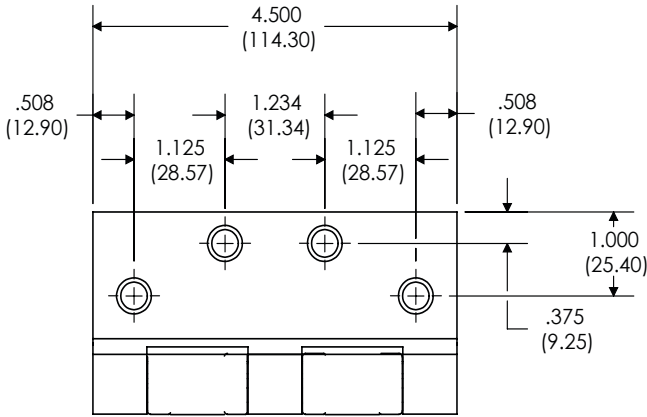
L55



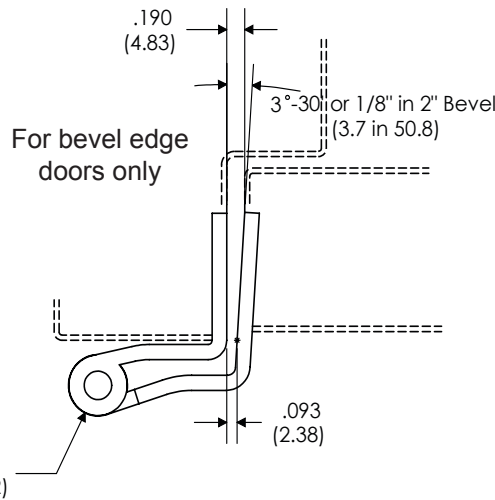
SWING CLEAR FULL MORTISE TEMPLATE BALL BEARING

SC4F-SC4B-SC4C

4-1/2"



L56



Right hand hinge shown
Left hand opposite

NOTE: This hinge alters the normal pivot point of door. For doors closers, friction or overhead door holders, to be used in conjunction with this hinge, consult manufacturer of the device to be used for application details.

Part Number			Gauge of Metal	"E" Outside Dia.
Steel	Brass	Stainless		
SC4B81/ SC4B81B	-	SC4B51/ SC4B51B	.180"	.725"
SC4C81/ SC4C81B	-	SC4C51/ SC4C51B	.180"	.725"

NOTE:

- 1 screw pack includes all machine screws (24), and 1/2 wood screws (12). ATMS & AWS also available.
- Screw size: FHMS - 12-24 x 1/2"
FHWS - 12 x 1-1/4"
- All swing clear hinges are made for reversible applications.
- All hinges are ANSI template.

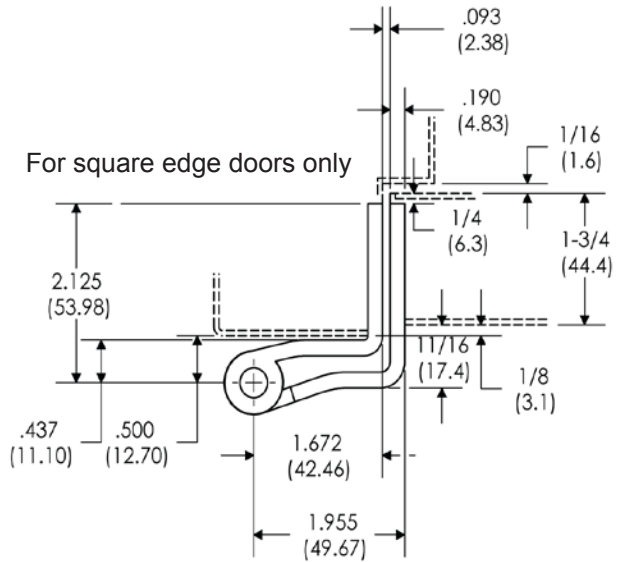
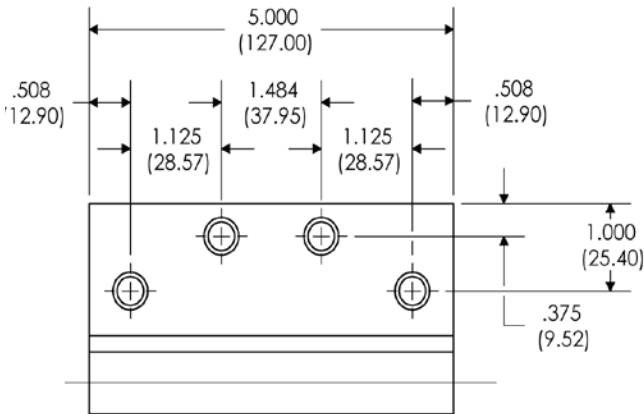
Template: SC4B8145



SWING CLEAR FULL MORTISE TEMPLATE BALL BEARING

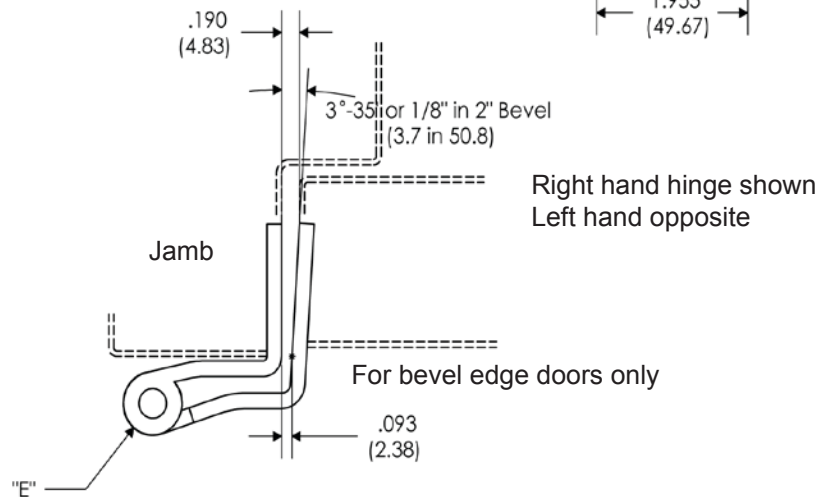
SC4B - SC4C

5"



L57

NOTE: This hinge alters the normal pivot point of door. For door closers, friction or overhead door holders, to be used in conjunction with this hinge, consult manufacturer for the device to be used for application details.



Part Number			Gauge of Metal	"E" Outside Dia.
Steel	Brass	Stainless		
SC4B81/ SC4B81B	-	SC4B51/ SC4B51B	.190"	.725"
SC4C81/ SC4C81B	-	SC4C51/ SC4C51B	.190"	.725"

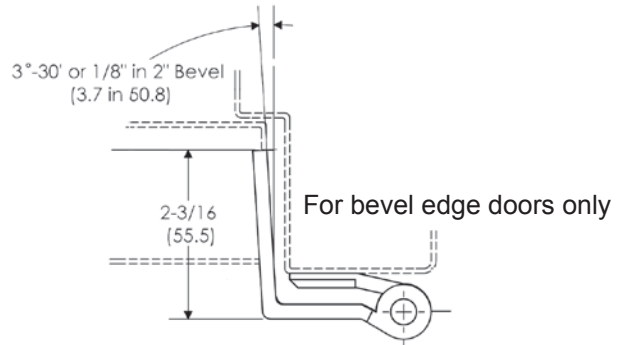
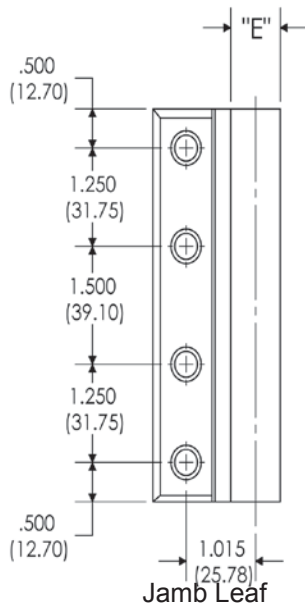
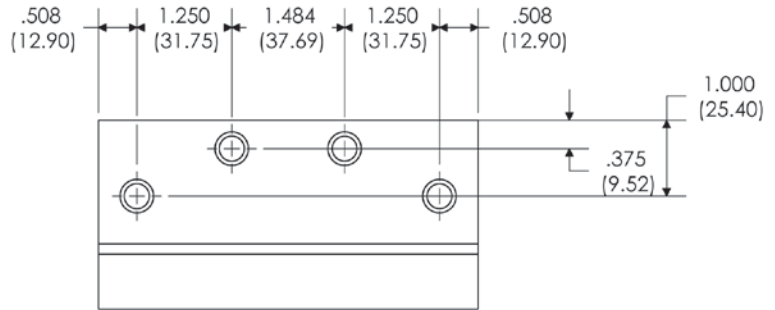
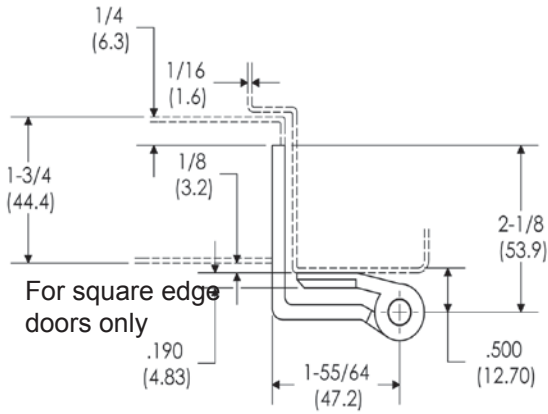
NOTE:

- 1 screw pack includes all machine screws (24), and 1/2 wood screws (12). ATMS & AWS also available.
- Screw size: FHMS - 12-24 x 1/2"
FHWS - 12 x 1-1/4"
- All swing clear hinges are made for reversible applications.
- All hinges are ANSI template.



SWING CLEAR HALF MORTISE TEMPLATE

SC4B - SC4C
5"



NOTE: This hinge alters the normal pivot point of door. For door closers, friction or overhead door holders, to be used in conjunction with this hinge, consult manufacture of the device to be used for application details.

Part Number			Gauge of Metal	"E" Outside Dia.
Steel	Brass	Stainless		
SC4B82/ SC4C82	-	SC4B52/ SC4C52	.190"	.725"

NOTE:

- 1 screw pack includes all machine screws (24), and 1/2 wood screws (12).
- Screw size: JAMB LEAF FHMS - 1/2" x 1/4-20
DOOR LEAF FHWS - 12 x 1-1/2"
DOOR LEAF FHMS - 12-24 x 1/2"
- All swing clear hinges are made for reversible applications.
- All hinges are ANSI template.

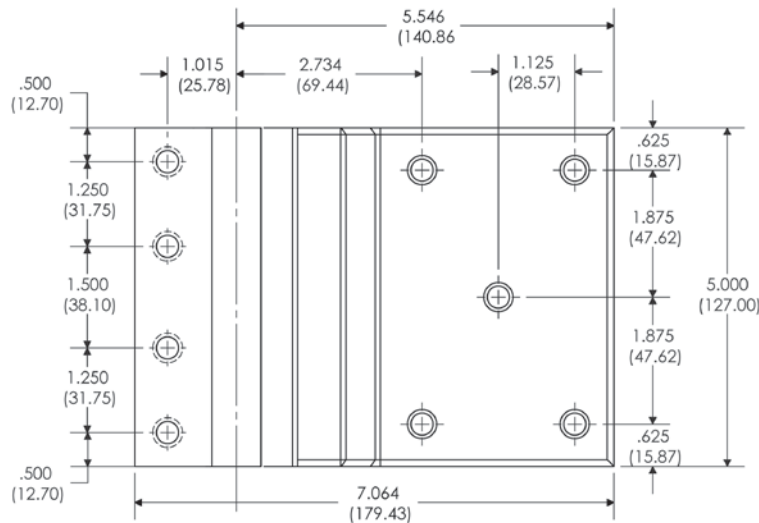
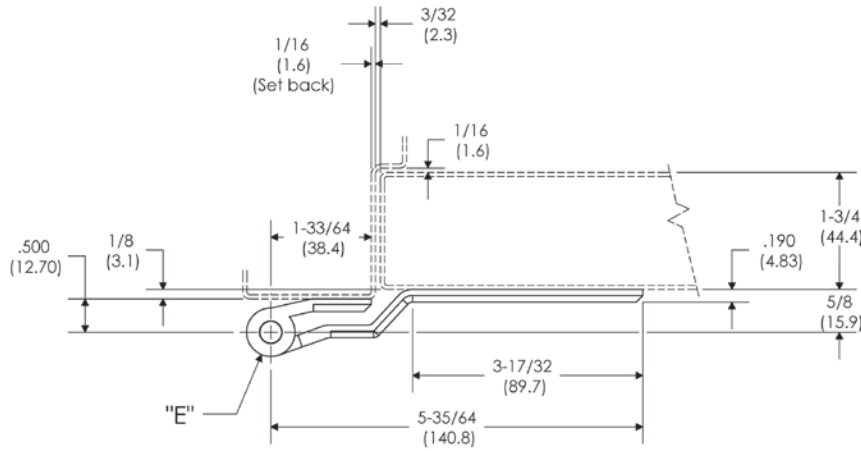
L58

Template: SC4B8250



SWING CLEAR HALF MORTISE TEMPLATE

SC4B - SC4C
5"



NOTE: This hinge alters the normal pivot point of door. For door closers, friction or overhead door holders, to be used in conjunction with this hinge, consult manufacturer for the device to be used for application details.

Part Number			Gauge of Metal	"E" Outside Dia.
Steel	Brass	Stainless		
SC4B83/ SC4C83	-	SC4B53/ SC4C53	.190"	.725"

NOTE:

- 1 screw pack includes all machine screws (12), and oval head machine screws (15) with grommet nuts.
- Screw size: JAMB LEAF FHMS - 1/2" x 1/4-20
DOOR LEAF OHMS/NUT - 2" x 1/4-20
- All swing clear hinges are made for reversible applications.
- All hinges are ANSI template.

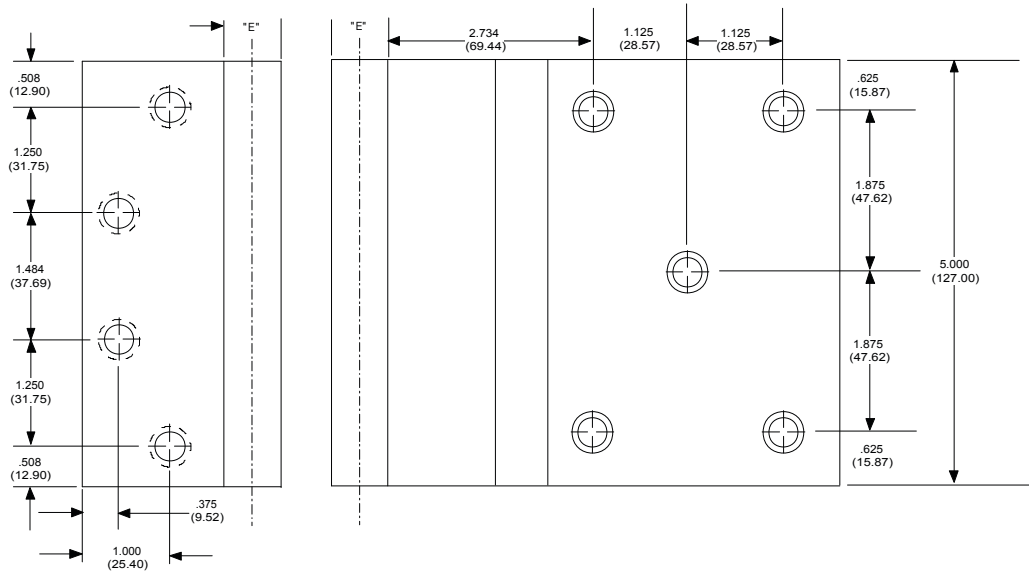
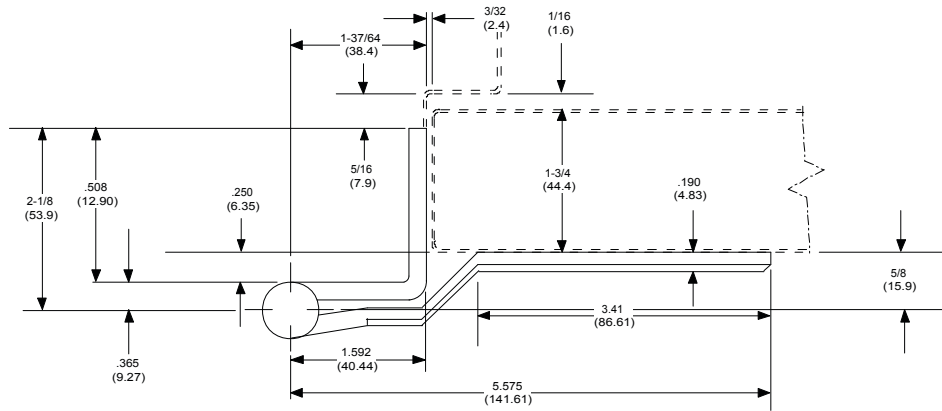
Template: SC4B8350

L59



SWING CLEAR HALF SURFACE TEMPLATE

SC4B - SC4C
5"



L60

Part Number			Gauge of Metal	"E" Outside Dia.
Steel	Brass	Stainless		
SC4B84/ SC4C84	-	SC4B54/ SC4C54	.190"	.725"

NOTE:

- 1 screw pack includes all machine screws (12) and oval head machine screws (15) with grommet nuts.
- Screw size: JAMB LEAF OHMS - 12-24 x 1/2"
DOOR LEAF OHMS/NUT - 2" x 1/4-20
- All swing clear hinges are made for reversible applications.
- All hinges are ANSI template.

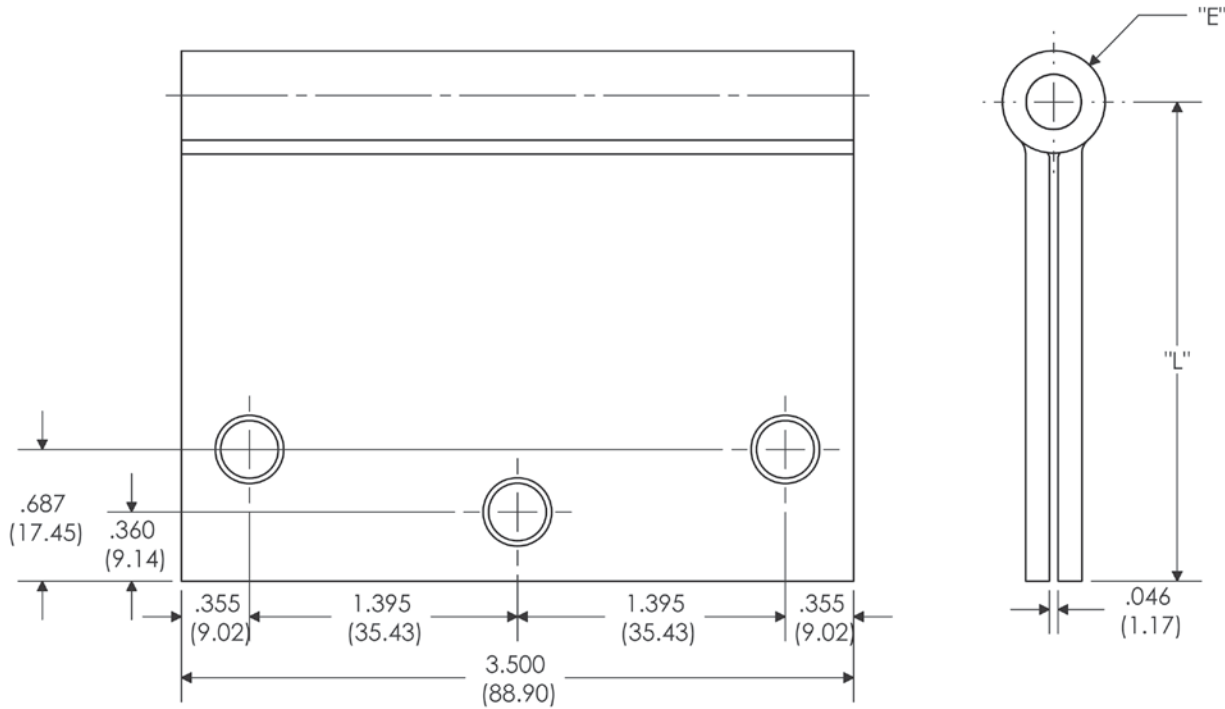
Template: SC4B8450



WIDE THROW FULL MORTISE TEMPLATE

WTBB - WTPB - WTCB - WTCP
3 1/2" x 4", 3 1/2" x 5"

L61



Part Number			Gauge of Metal	"E" Outside Dia.	"L" Leaf Width
Steel	Brass	Stainless			
WTBB81/ WTPB81	WTBB21/ WTPB21	WTBB51/ WTPB51	.123"	.534"	2.00"
WTBB81/ WTPB81	WTBB21/ WTPB21	WTBB51/ WTPB51	.123"	.534"	2.50"
WTCB81/ WTCP81	WTCB21/ WTCP21	WTCB51/ WTCP51	.123"	.534"	2.00"
WTCB81/ WTCP81	WTCB21/ WTCP21	WTCB51/ WTCP51	.123"	.534"	2.50"

NOTE:

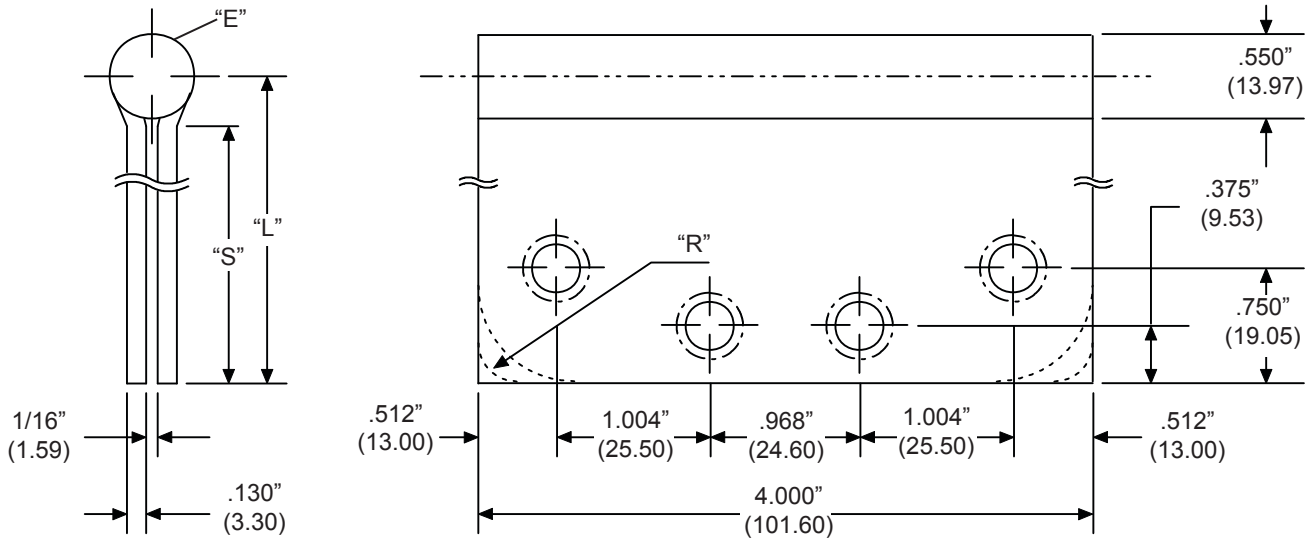
- 1 screw pack includes all machine screws (24), and 1/2 wood screws (12). ATMS & AWS also available.
- Screw size: FHMS - 12-24 x 1/2"
FHWS - 12 x 1-1/4"
- All hinges are ANSI template.



WIDE THROW FULL MORTISE STANDARD WEIGHT TEMPLATE

WTBB - WTPB - WTCB - WTCP - WTFB

4" x 4 1/2" 4" x 5" 4" x 6"



L62

Part Number			Gauge of Metal	"E" Outside Dia.	"L" Leaf Width	"S" Swage Line	"R" Corner Radius
Steel	Brass	Stainless					
WTBB81/ WTPB81	WTBB21/ WTPB21	WTBB51/ WTPB51	.130"	.550"	2.25"	1.92"	Square, 1/4", 5/8"
WTBB81/ WTPB81	WTBB21/ WTPB21	WTBB51/ WTPB51	.130"	.550"	2.50"	2.17"	Square, 1/4", 5/8"
WTBB81/ WTPB81	WTBB21/ WTPB21	WTBB51/ WTPB51	.130"	.550"	3.00"	2.67"	Square, 1/4", 5/8"

NOTE:

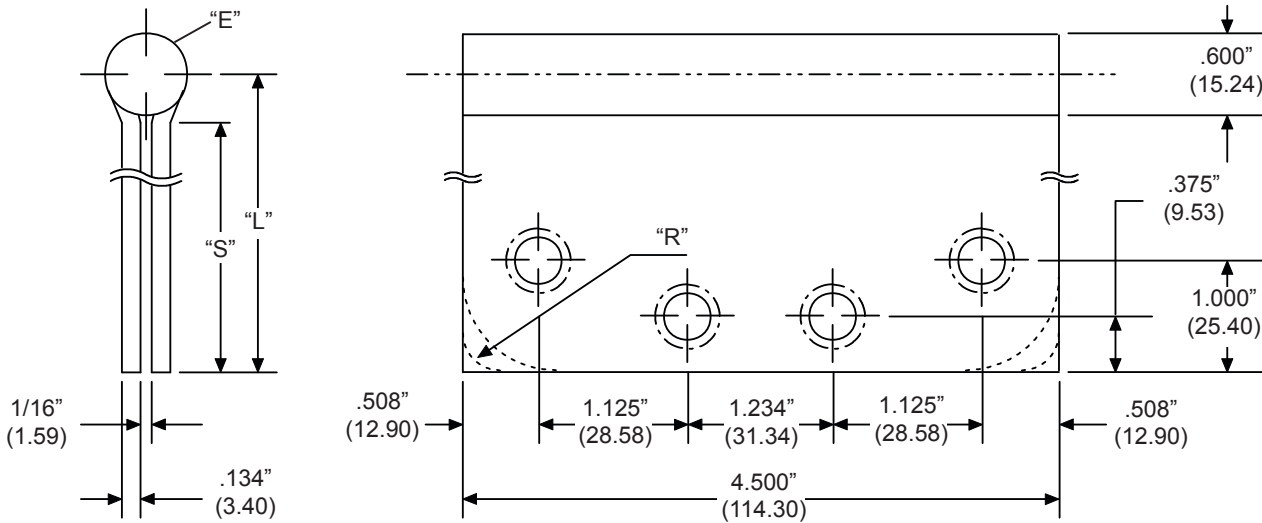
- 1 screw pack includes all machine screws (24), and 1/2 wood screws (12). ATMS & AWS also available.
- Screw size: FHMS - 12-24 x 1/2"
FHWS - 12 x 1-1/4"
- All hinges are ANSI template.

Template: WTBB40



WIDE THROW FULL MORTISE STANDARD WEIGHT TEMPLATE

WTBB - WTPB - WTCB - WTCP - WTFB
4-1/2" x 5", 4-1/2" x 6", 4-1/2" x 7", 4-1/2" x 8"



Part Number			Gauge of Metal	"E" Outside Dia.	"L" Leaf Width	"S" Swage Line	"R" Corner Radius
Steel	Brass	Stainless					
WTBB81*/ WTPB81*	WTBB21/ WTPB21	WTBB51/ WTPB51	.134"	.600"	2.50"	2.13"	Square, 1/4", 5/8"
WTBB81*/ WTPB81*	WTBB21/ WTPB21	WTBB51/ WTPB51	.134"	.600"	3.00"	2.63"	Square, 1/4", 5/8"
WTBB81*/ WTPB81*	WTBB21/ WTPB21	WTBB51/ WTPB51	.134"	.600"	3.50"	3.13"	Square, 1/4", 5/8"
WTBB81*/ WTPB81*	WTBB21/ WTPB21	WTBB51/ WTPB51	.134"	.600"	4.00"	3.63"	Square, 1/4", 5/8"

*Also available as welding butts with identical dimensions and the exclusion of screw holes.

NOTE:

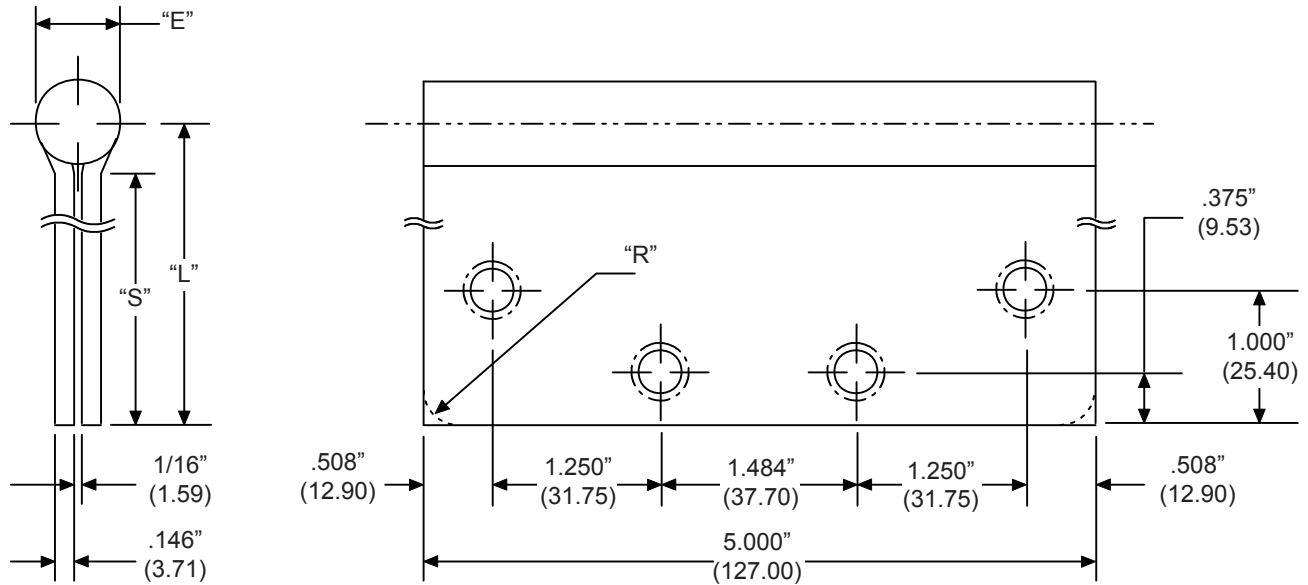
- 1 screw pack includes all machine screws (24), and 1/2 wood screws (12). ATMS & AWS also available.
- Screw size: FHMS - 12-24 x 1/2"
FHWS - 12 x 1-1/4"
- All hinges are ANSI template.

Template: WTBB45



WIDE THROW FULL MORTISE STANDARD WEIGHT TEMPLATE

WTBB - WTPB - WTCB - WTCP - WTFB
5" x 6", 5" x 7", 5" x 8"



L64

Part Number			Gauge of Metal	"E" Outside Dia.	"L" Leaf Width	"S" Swage Line	"R" Corner Radius
Steel	Brass	Stainless					
WTBB81*/WTPB81*	WTBB21/WTPB21	WTBB51/WTPB51	.146"	.624"	3.00"	2.62"	Square, 1/4", 5/8"
WTBB81*/WTPB81*	WTBB21/WTPB21	WTBB51/WTPB51	.146"	.624"	3.50"	3.12"	Square, 1/4", 5/8"
WTBB81*/WTPB81*	WTBB21/WTPB21	WTBB51/WTPB51	.146"	.624"	4.00"	3.62"	Square, 1/4", 5/8"

*Also available as welding butts with identical dimensions and the exclusion of screw holes.

NOTE:

- 1 screw pack includes all machine screws (24), and 1/2 wood screws (12). ATMS & AWS also available.
- Screw size: FHMS - 12-24 x 1/2"
FHWS - 12 x 1-1/4"
- All hinges are ANSI template.

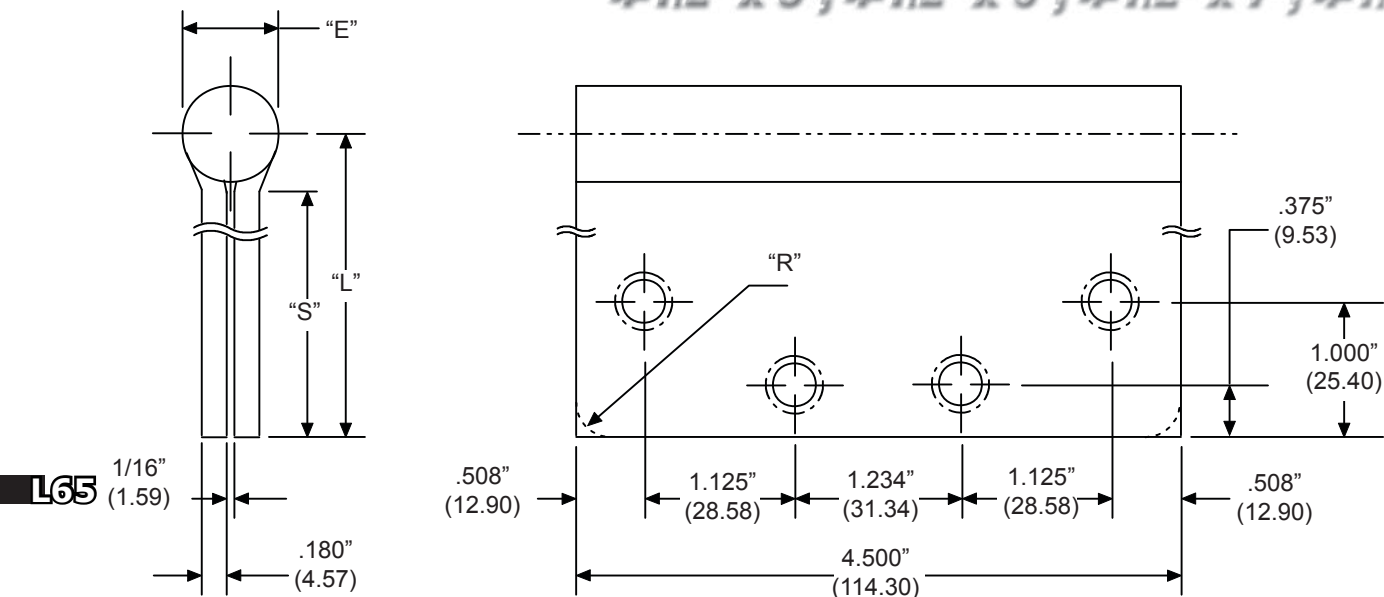
Template: WTBB50



WIDE THROW FULL MORTISE HEAVY WEIGHT TEMPLATE

WT4B - WT4C - WT4F

4-1/2" x 5", 4-1/2" x 6", 4-1/2" x 7", 4-1/2" x 8"



Part Number			Gauge of Metal	"E" Outside Dia.	"L" Leaf Width	"S" Swage Line	"R" Corner Radius
Steel	Brass	Stainless					
WT4B81*/ WT4C81*	WT4B21/ WT4C21	WT4B51/ WT4C51	.180"	.720"	2.50"	2.07"	Square, 1/4", 5/8"
WT4B81*/ WT4C81*	WT4B21/ WT4C21	WT4B51/ WT4C51	.180"	.720"	3.00"	2.57"	Square, 1/4", 5/8"
WT4B81*/ WT4C81*	WT4B21/ WT4C21	WT4B51/ WT4C51	.180"	.720"	3.50"	3.07"	Square, 1/4", 5/8"
WT4B81*/ WT4C81*	WT4B21/ WT4C21	WT4B51/ WT4C51	.180"	.720"	4.00"	3.57"	Square, 1/4", 5/8"

*Also available as welding butts with identical dimensions and the exclusion of screw holes.

NOTE:

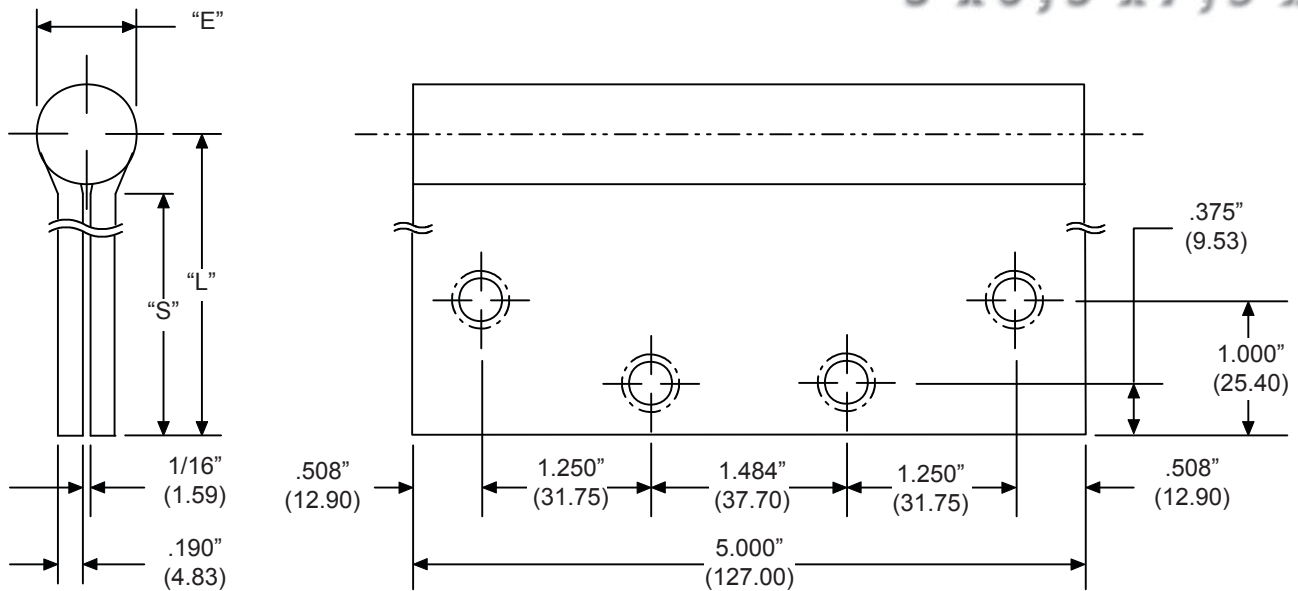
- 1 screw pack includes all machine screws (24), and 1/2 wood screws (12). ATMS & AWS also available.
- Screw size: FHMS - 12-24 x 1/2"
FHWS - 12 x 1-1/4"
- All hinges are ANSI template.

Template: WT4B45



WIDE THROW FULL MORTISE HEAVY WEIGHT TEMPLATE

WT4B - WT4C - WT4F
5" x 6", 5" x 7", 5" x 8"



L66

Part Number			Gauge of Metal	"E" Outside Dia.	"L" Leaf Width	"S" Swage Line
Steel	Brass	Stainless				
WT4B81*/ WT4C81*	WT4B21/ WT4C21	WT4B51/ WT4C51	.190"	.740"	3.00"	2.56"
WT4B81*/ WT4C81*	WT4B21/ WT4C21	WT4B51/ WT4C51	.190"	.740"	3.50"	3.06"
WT4B81*/ WT4C81*	WT4B21/ WT4C21	WT4B51/ WT4C51	.190"	.740"	4.00"	3.56"

*Also available as welding butts with identical dimensions and the exclusion of screw holes.

NOTE:

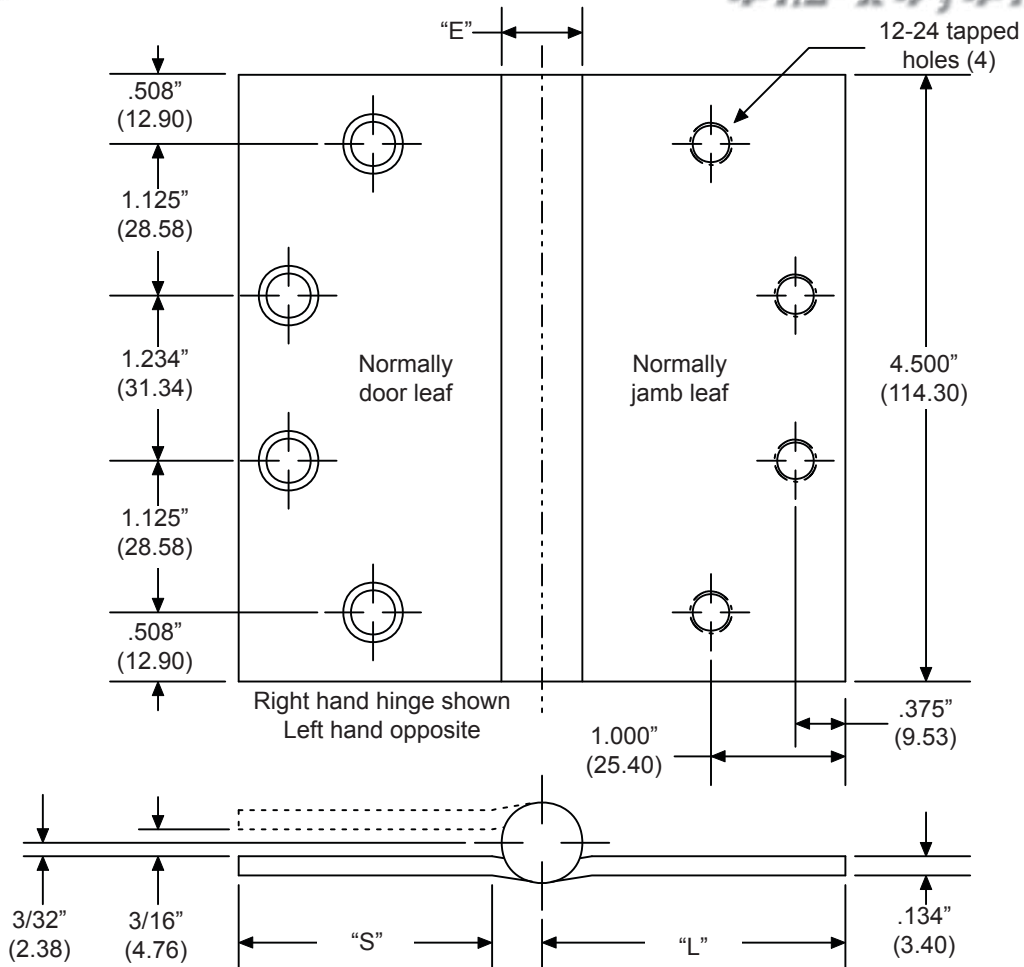
- 1 screw pack includes all machine screws (24), and 1/2 wood screws (12). ATMS & AWS also available.
- Screw size: FHMS - 12-24 x 1/2"
FHWS - 12 x 1-1/4"
- All hinges are ANSI template.

Template: WT4B50



FULL MORTISE STANDARD WEIGHT INSERT TEMPLATE

ITBB - ITPB - ITCB - ITCP - ITFB
4-1/2" x 4", 4-1/2" x 4-1/2"



Part Number			Gauge of Metal	"E" Outside Dia.	"L" Leaf Width	"S" Swage Line
Steel	Brass	Stainless				
ITBB81/ ITCB81	ITBB21/ ITCB21	ITBB51/ ITCB51	.134"	.600"	2.00"	1.63"
ITPB81/ ITCP81	ITPB21/ ITCP21	ITPB51/ ITCP51	.134"	.600"	2.00"	1.63"
ITBB81/ ITCB81	ITBB21/ ITCB21	ITBB51/ ITCB51	.134"	.600"	2.25"	1.88"
ITPB81/ ITCP81	ITPB21/ ITCP21	ITPB51/ ITCP51	.134"	.600"	2.25"	1.88"

NOTE:

- 1 screw pack includes 1/2 machine screws (12), and 1/2 wood screws (12).
- Screw size: FHMS - 12-24 x 1/2"
FHWS - 12 x 1-1/4"
- All hinges are ANSI template.

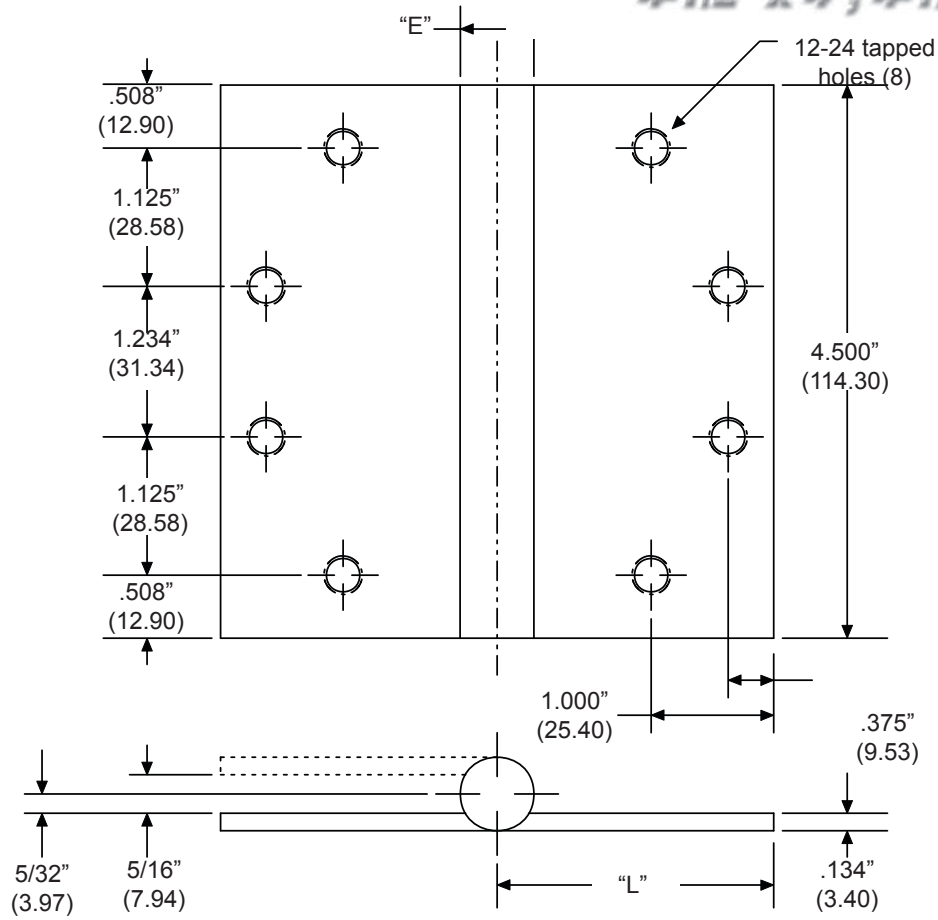
L67

Template: IT45



FULL MORTISE STANDARD WEIGHT INSERT TEMPLATE

IFBB - IFPB - IFCB - IFCP - IFFB
4-1/2" x 4", 4-1/2" x 4-1/2"



L68

Part Number			Gauge of Metal	"E" Outside Dia.	"L" Leaf Width
Steel	Brass	Stainless			
IFBB81/ IFCB81	IFBB21/ IFCB21	IFBB51/ IFCB51	.134"	.600"	2.00"
IFPB81/ IFCP81	IFPB21/ IFCP21	IFPB51/ IFCP51	.134"	.600"	2.00"
IFBB81/ IFCB81	IFBB21/ IFCB21	IFBB51/ IFCB51	.134"	.600"	2.25"
IFPB81/ IFCP81	IFPB21/ IFCP21	IFPB51/ IFCP51	.134"	.600"	2.25"

NOTE:

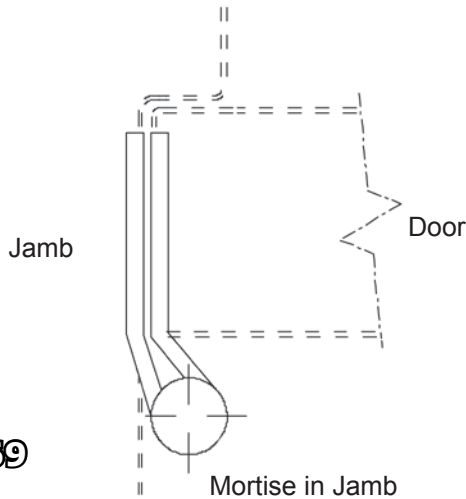
- 1 screw pack includes all machine screws (24).
- Screw size: FHMS - 12-24 x 1/2"
FHWS - 12 x 1-1/4"
- All hinges are ANSI template.



RAISED BARREL TEMPLATE FOR SQUARE EDGE DOORS

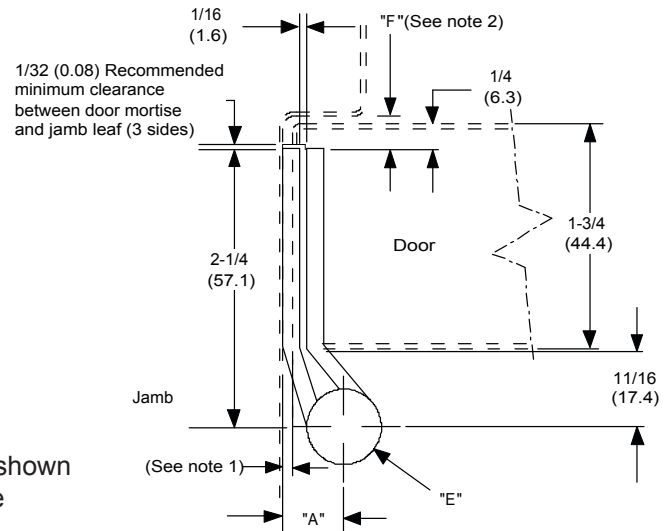
BBRB

4 1/2" X 4 1/2"



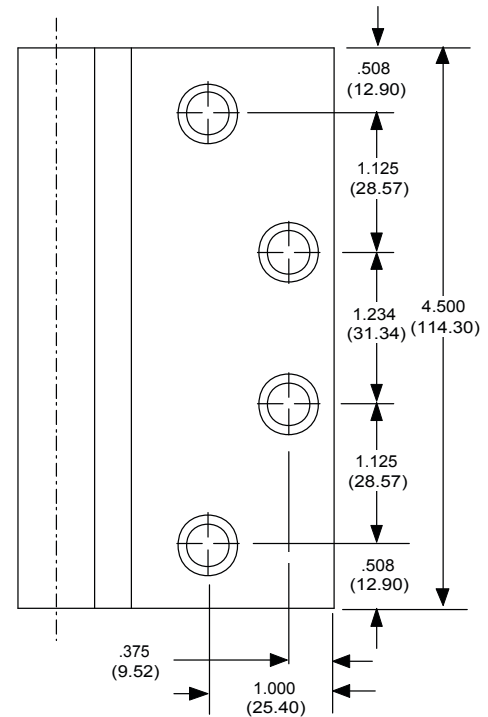
L69

Right hand hinge shown
Left hand opposite



Notes:

1. Clearance between door and jamb determined by depth of mortise. (1/16 Min.) 1.6mm
2. Recommended for approx. 1/16 (1.6) clearance between door and stop.
3. For raised barrel templates hinge for square edge doors.



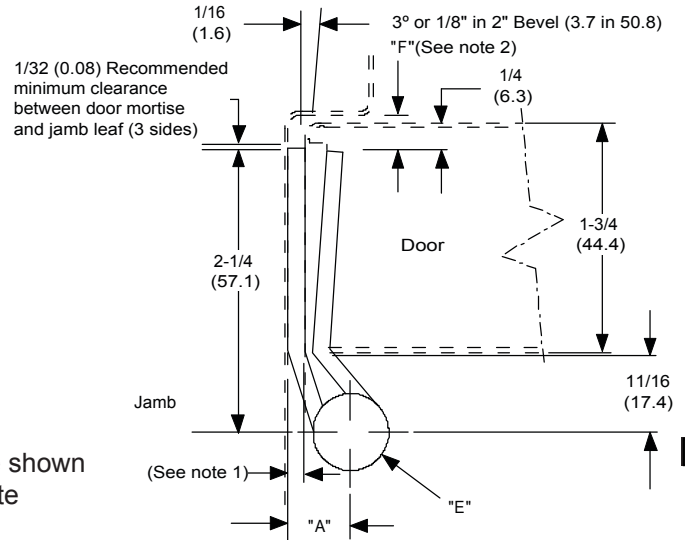
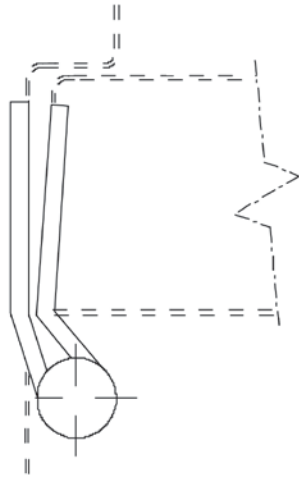
Part Number			Gauge of Metal	"E" Outside Dia.	"A" Barrel C/L to Back of Jamb Leaf	"F" (See Note 2)
Steel	Brass	Stainless				
BBRB81	-	BBRB51	.134"	.603"	31/64"	11/32"

Template: BBRB45



RAISED BARREL TEMPLATE FOR BEVEL EDGE DOORS

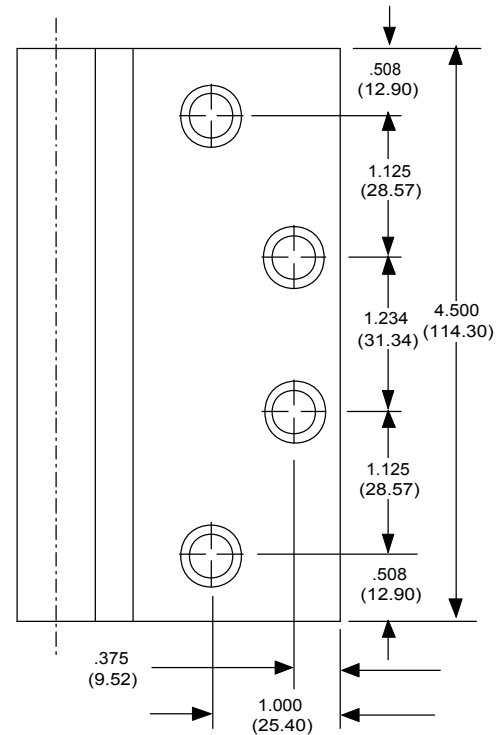
BBRBB
4 1/2" X 4 1/2"



Right hand hinge shown
 Left hand opposite

Notes:

1. Clearance between door and jamb determined by depth of mortise. (1/16 Min.) 1.6mm
2. Recommended for approx. 1/16 (1.6) clearance between door and stop.
3. For raised barrel templates hinge for bevel edge doors.

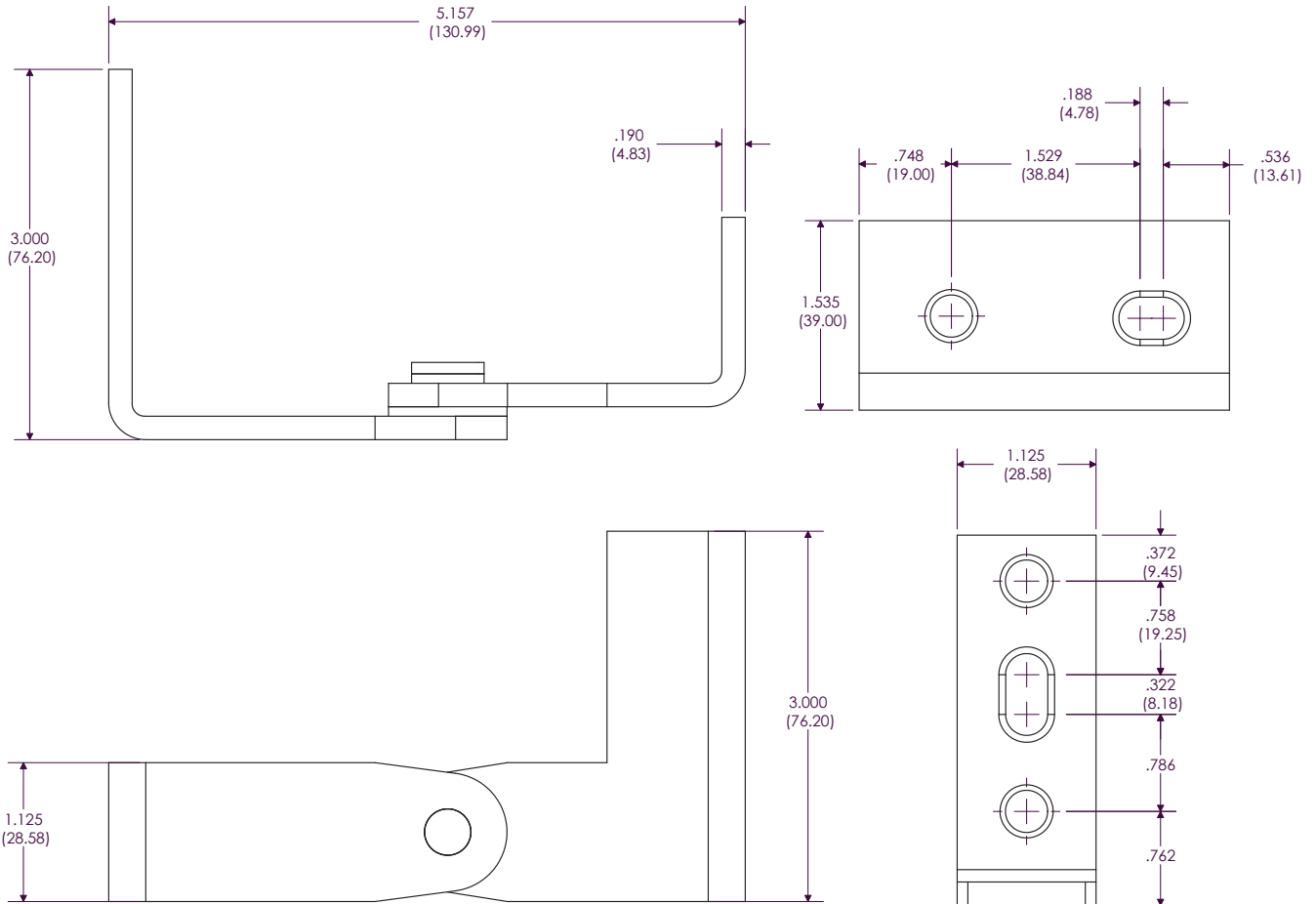


Part Number			Gauge of Metal	"E" Outside Dia.	"A" Barrel C/L to Back of Jamb Leaf	"F" (See Note 2)
Steel	Brass	Stainless				
BBRB81B	-	BBRB51B	.134"	.603"	31/64"	11/32"



EXTRA HEAVY DUTY BEARING PIVOT HINGE

PV872



L71

Part Number			Gauge of Metal
Steel	Brass	Stainless	
PV872	-	-	.190

NOTE:

- Bearings take both vertical and lateral loads
- Screw size: FHWS - 12 x 1-1/2"
- Screw holes allow both vertical and horizontal adjustment.

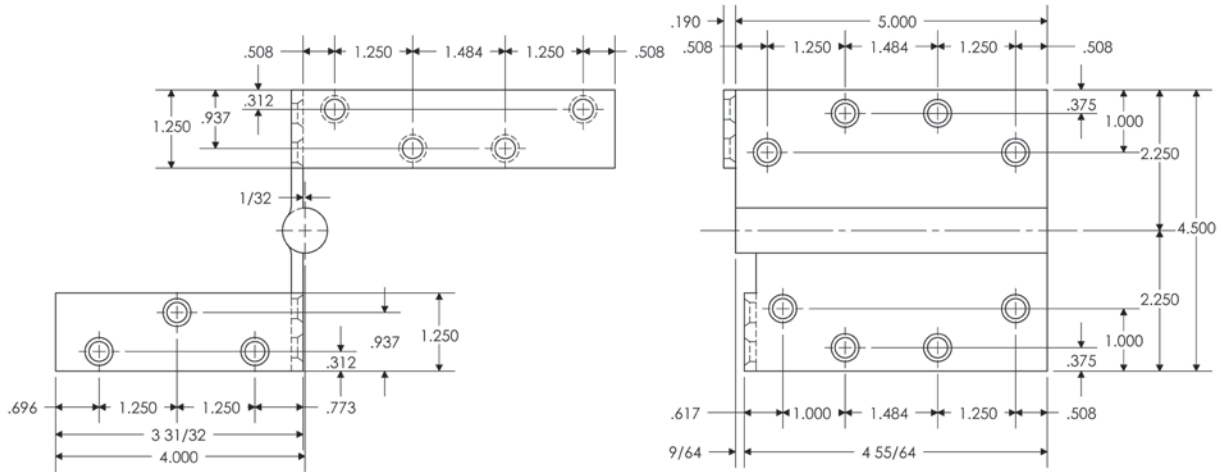


FULL MORTISE HEAVY WEIGHT ANCHOR HINGE

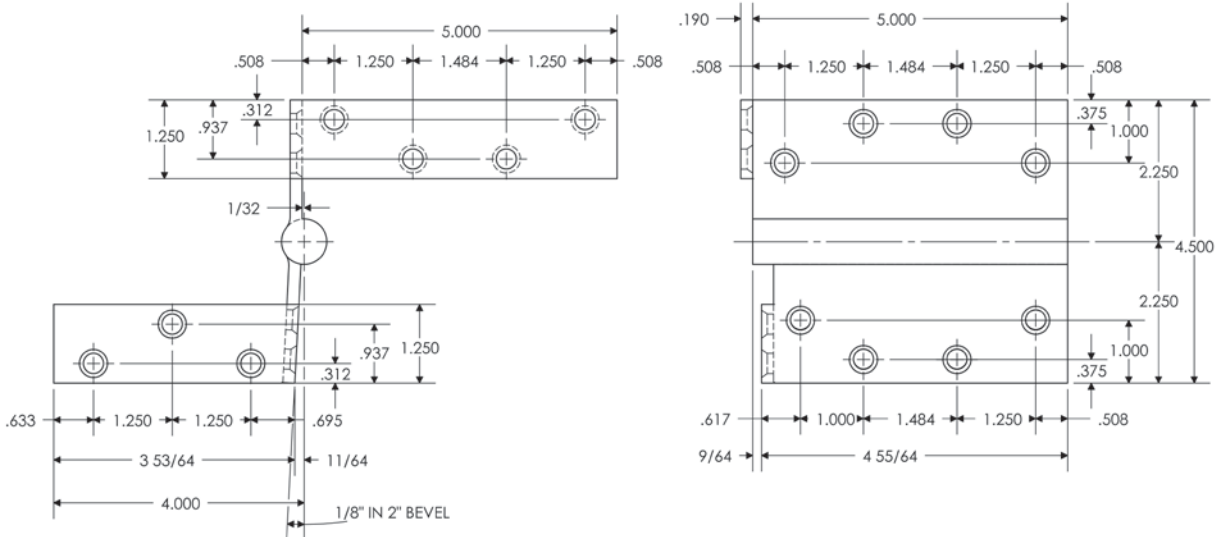
AA4B - AA4C

5" X 4 1/2"

For Square Edge Door



For Bevel Edge Door



L72

Part Number			Gauge of Metal	Knuckle Dia.
Steel	Brass	Stainless		
AC4B81	AC4B21	AC4B51	.190"	.720
AC4C81	AC4C21	AC4C51		

NOTE:

- 1 screw pack includes all machine and all wood screws.
- Screw size: FHMS - 12-24 x 1/2"
FHWS - 12 x 1-1/4"
- All hinges are ANSI template.

PBB, Inc.

World Class Hinges

1311 E. Philadelphia Street • Ontario • CA 91761 • USA

PBB reserves the right to make changes without notice.

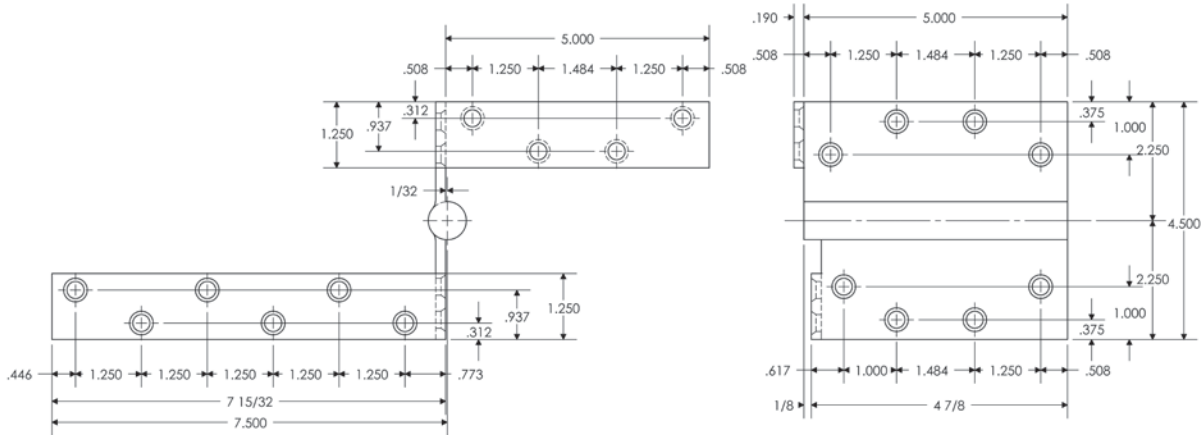
Template: AA4B8150



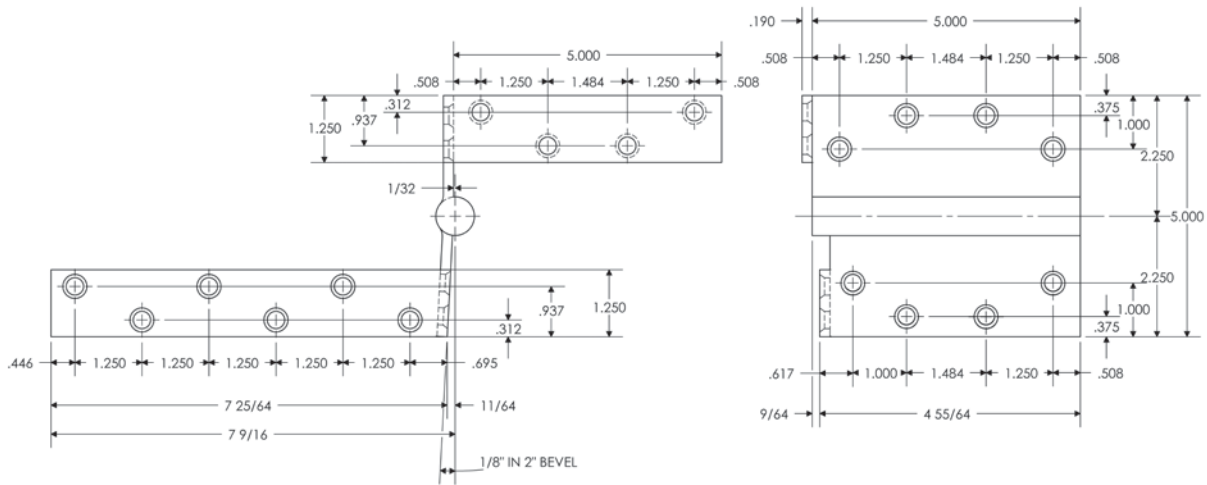
FULL MORTISE HEAVY WEIGHT ANCHOR HINGE

AB4B - AB4C
5" X 4 1/2"

For Square Edge Door



For Bevel Edge Door



Part Number			Gauge of Metal	Knuckle Dia.
Steel	Brass	Stainless		
AB4B81	AB4B21	AB4B51	.190"	.720
AB4C81	AB4C21	AB4C51		

NOTE:
 •1 screw pack includes all machine and all wood screws.
 •Screw size: FHMS - 12-24 x 1/2"
 FHWS - 12 x 1-1/4"
 •All hinges are ANSI template.

PBB, Inc.
 World Class Hinges
 1311 E. Philadelphia Street • Ontario • CA 91761 • USA
 PBB reserves the right to make changes without notice.

Template: AB4B8150

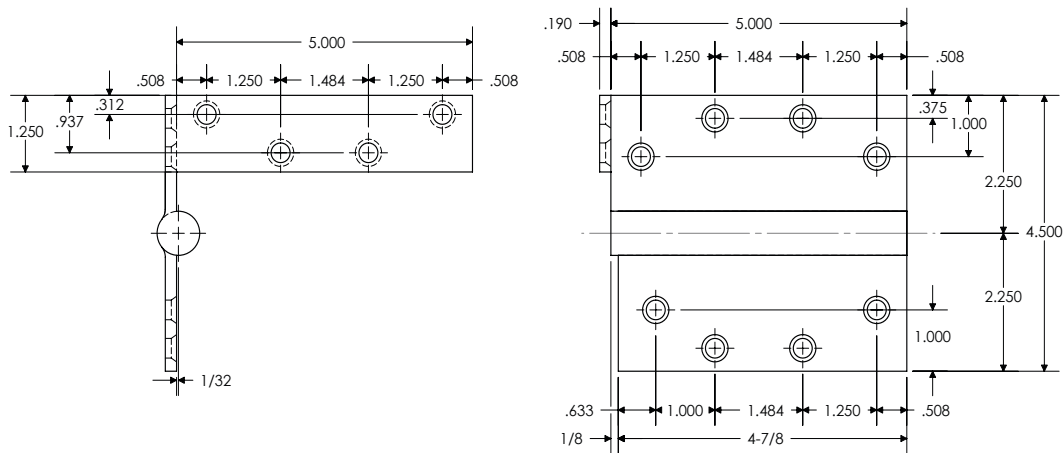


FULL MORTISE HEAVY WEIGHT ANCHOR HINGE

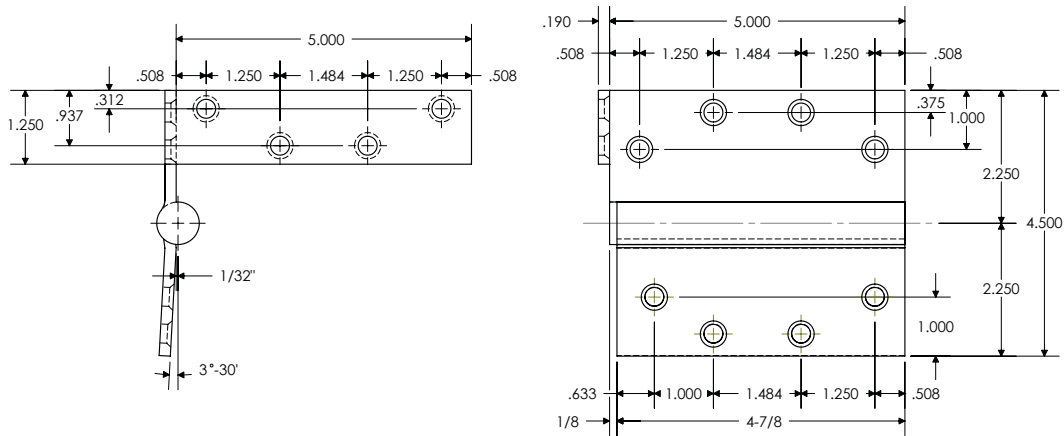
AC4B - AC4C

5" X 4 1/2"

For Square Edge Door



For Bevel Edge Door



Right Handed Shown
Left Handed Opposite

Part Number			Gauge of Metal	Knuckle Dia.
Steel	Brass	Stainless		
AC4B81	AC4B21	AC4B51	.190"	.720
AC4C81	AC4C21	AC4C51		

NOTE:

- 1 screw pack includes all machine and all wood screws.
- Screw size: FHMS - 12-24 x 1/2"
FHWS - 12 x 1-1/4"
- All hinges are ANSI template.

L74

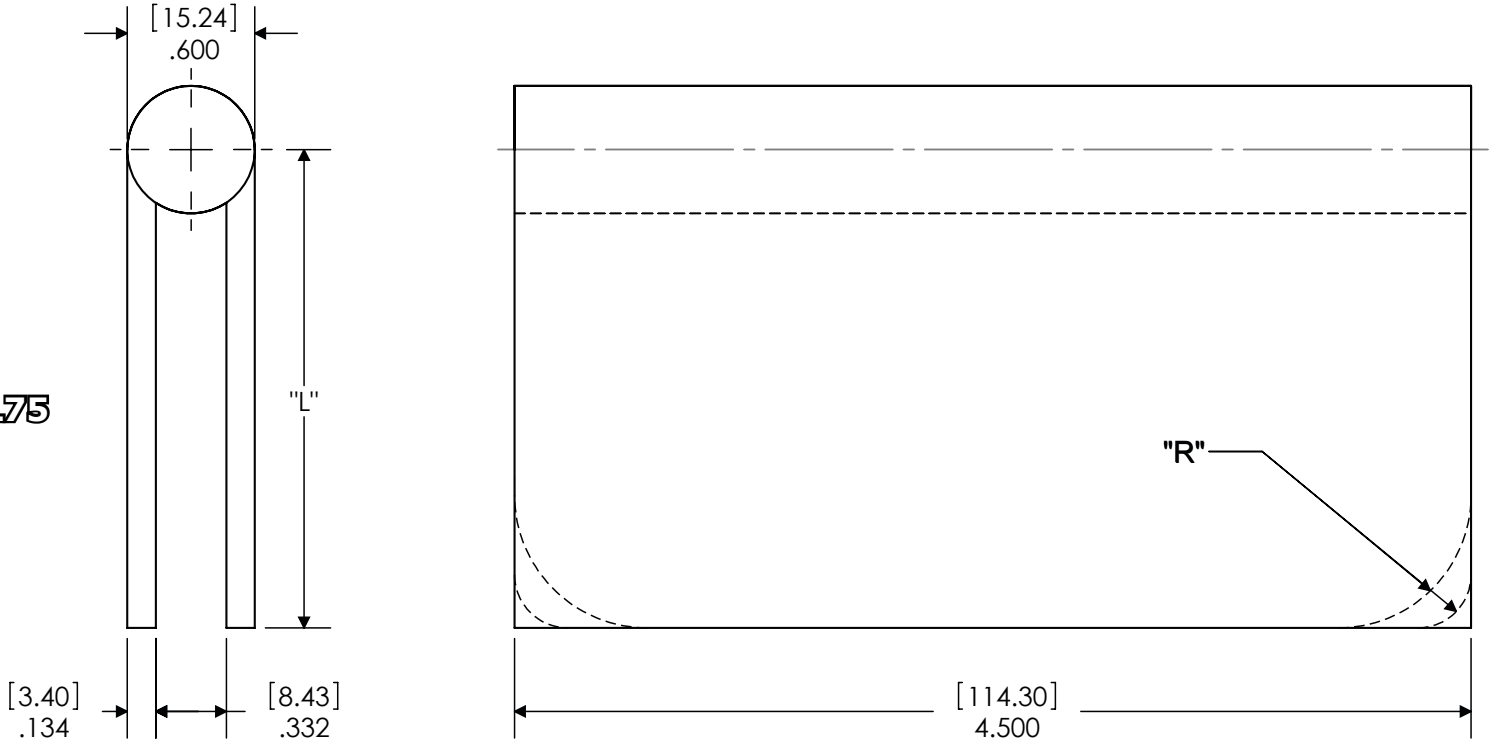
Template: AC4B8150



FULL SURFACE WELDING BUTT TEMPLATE

WBPB - WBBB

4 1/2" x 4" 4 1/2" x 4 1/2"



Part Number			Gauge of Metal	"L" Leaf Width	"R" Corner Radius
Steel	Brass	Stainless			
WBPB81/ WBBB81	-	-	.134"	2.00"	Square, 1/4", 5/8"
WBPB81/ WBBB81	-	-	.134"	2.25"	Square, 1/4", 5/8"

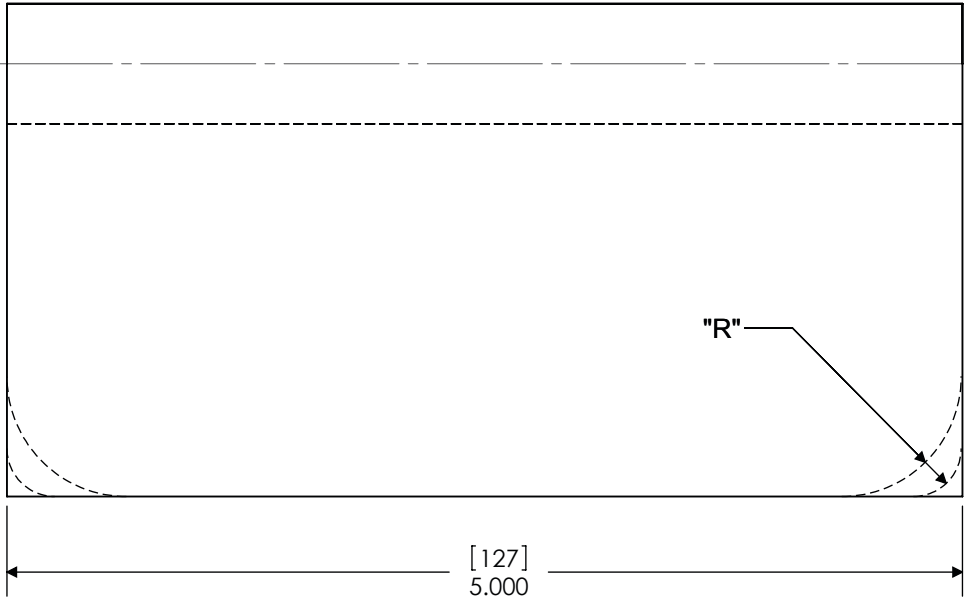
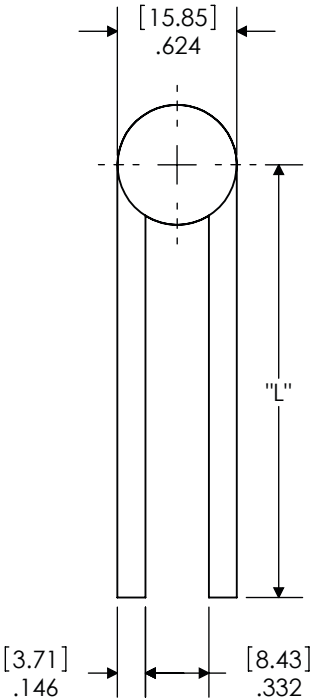
NOTE:

- 16 unit carton or 48 hinges per master shipping carton.
- All hinges are ANSI template.



FULL SURFACE WELDING BUTT TEMPLATE

WBPB - WBBB
5" x 4" 5" x 4 1/2" 5" x 5"



L76

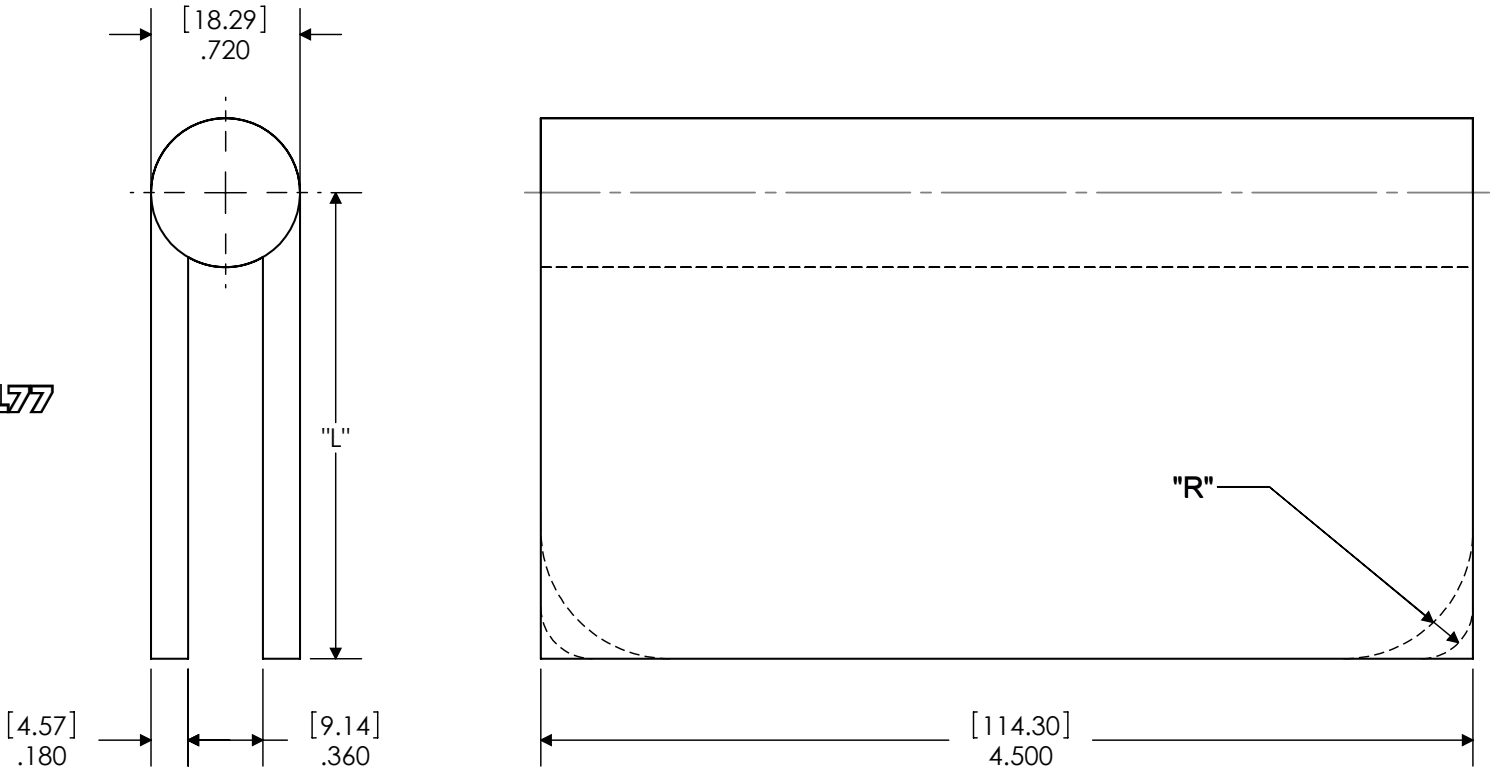
Part Number			Gauge of Metal	"L" Leaf Width	"R" Corner Radius
Steel	Brass	Stainless			
WBPB81/ WBBB81	-	-	.146"	2.00"	Square, 1/4", 5/8"
WBPB81/ WBBB81	-	-	.146"	2.25"	Square, 1/4", 5/8"
WBPB81/ WBBB81	-	-	.146"	2.50"	Square, 1/4", 5/8"

NOTE:
 •16 unit carton or 48 hinges per master shipping carton.
 •All hinges are ANSI template.



WB4B

4 1/2" x 4" 4 1/2" x 4 1/2"



Part Number			Gauge of Metal	"L" Leaf Width	"R" Corner Radius
Steel	Brass	Stainless			
WB4B81	-	-	.180"	2.00"	Square, 1/4", 5/8"

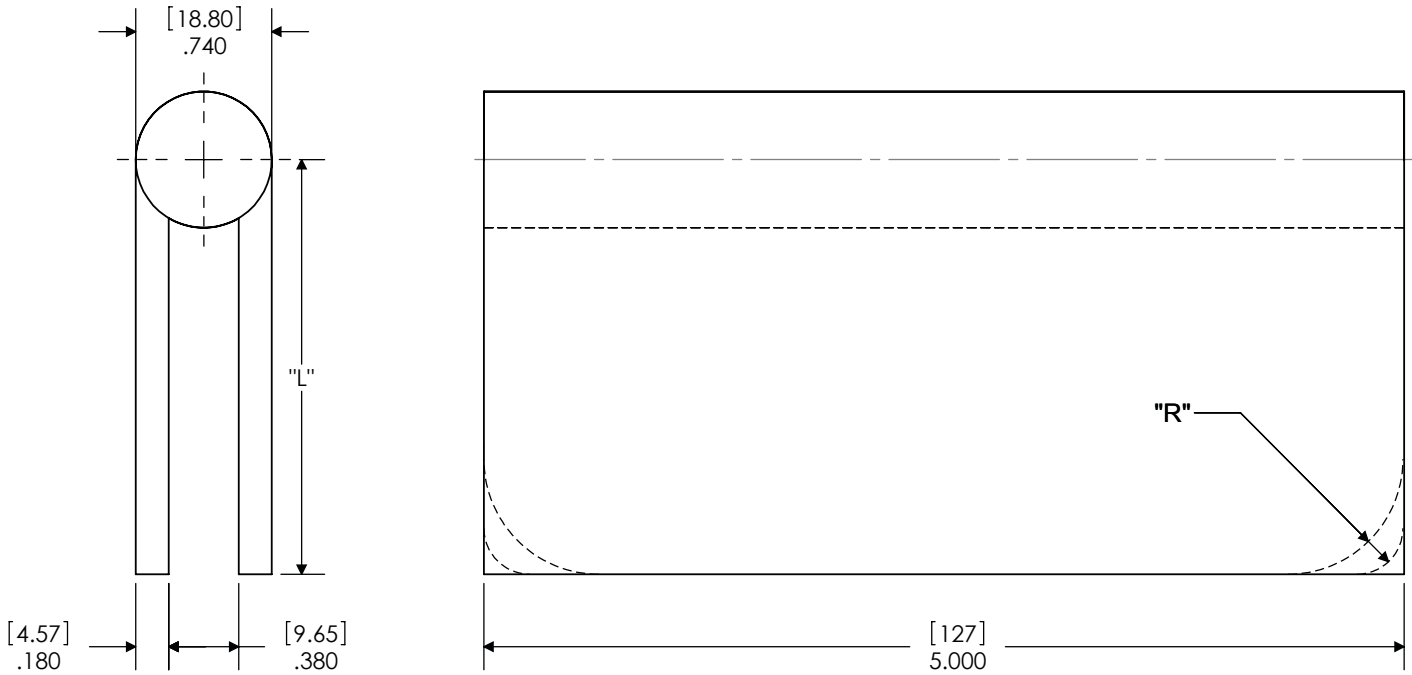
NOTE:
 •16 unit carton or 48 hinges per master shipping carton.
 •All hinges are ANSI template.

PBB, Inc.
 World Class Hinges
 1311 E. Philadelphia Street • Ontario • CA 91761 • USA
 PBB reserves the right to make changes without notice.

Template: WB4B8145



WB4B
5" x 4" 5" x 4 1/2" 5" x 5"



L78

Part Number			Gauge of Metal	"L" Leaf Width	"R" Corner Radius
Steel	Brass	Stainless			
WB4B81	-	-	.190"	2.00"	Square, 1/4", 5/8"
WB4B81	-	-	.190"	2.25"	Square, 1/4", 5/8"

NOTE:
 •8 unit carton or 24 hinges per master shipping carton.
 •All hinges are ANSI template.