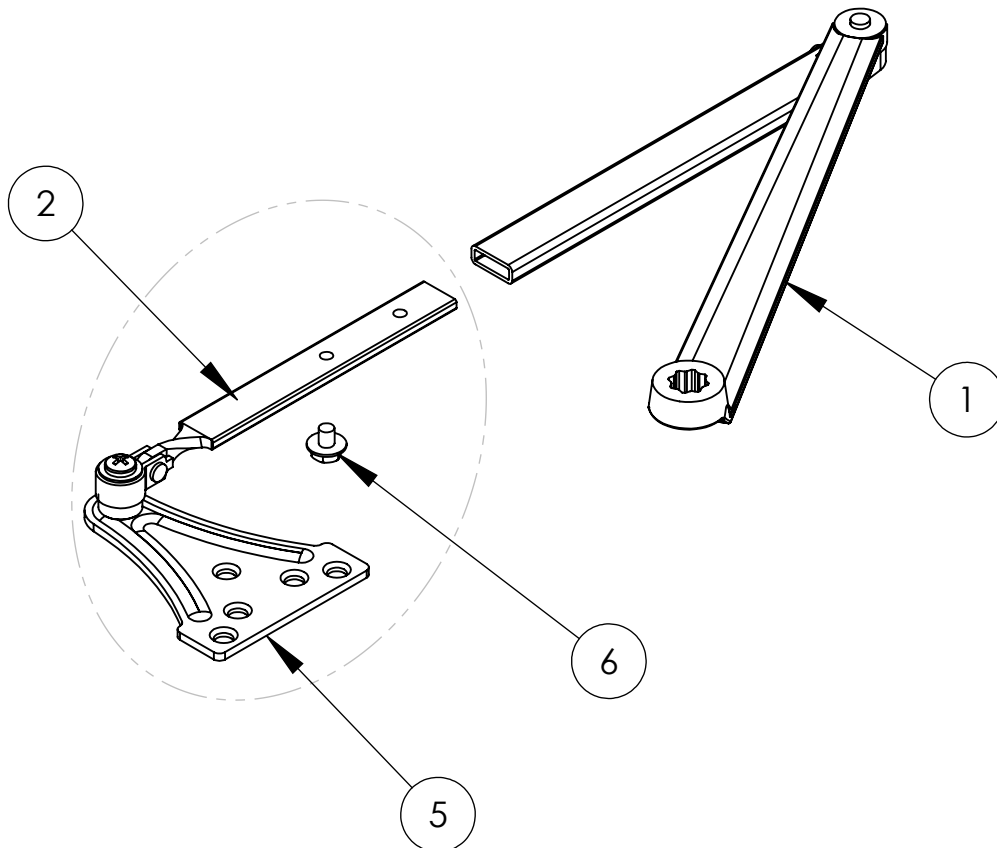


25-P9 PARALLEL ARM

PARTS LIST

PAGE No. 6 REV. B

ITEM No.	PART No.	DESCRIPTION	QTY.
1	*63-2607	MAIN ARM & LINK ASSEMBLY	1
2	*63-2271	FOOT ASSEMBLY	1
3	*64-2407	P9 ARM MOUNTING SCREW PACK (NOT SHOWN)	1
4	*01-2300	WOOD SCREW #12 x 1-1/2" (NOT SHOWN)	5
5	*125 - P9	FOOT BRACKET	1
6	*61-0308	SWIVEL ARM SCREW	1



* FINISH REQUIRED: POWDER COAT FINISHES - EB, EN, ED, EP, EAB
FOR PLATED FINISHES CONSULT FACTORY

© SARGENT Manufacturing Company. All Rights reserved.

SARGENT
ASSA ABLOY