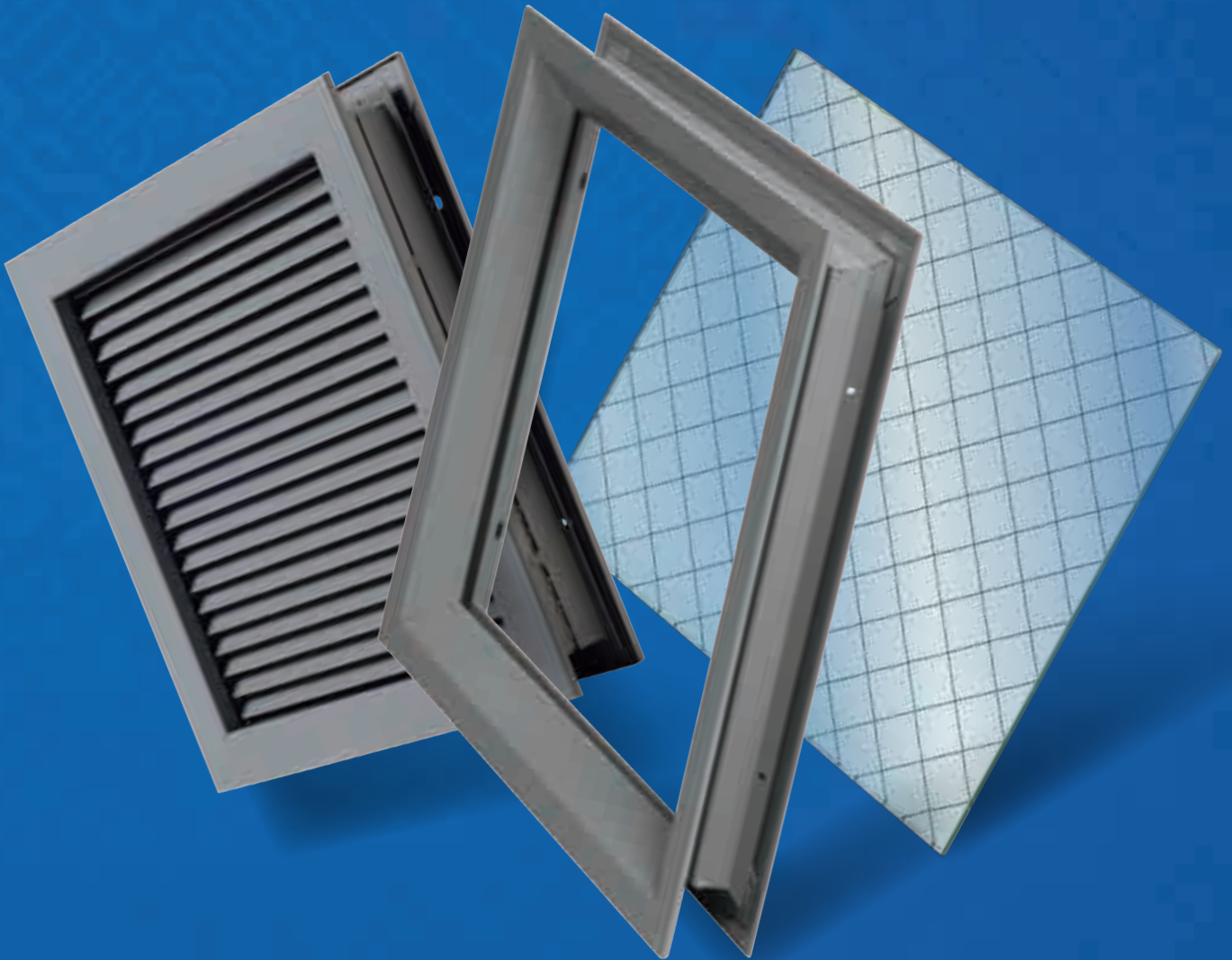




— AND —
Anemostat
DOOR PRODUCTS

LITES

LITE KITS,
LOUVERS & GLASS





LITE KITS & LOUVERS INDEX:

LITE KITS

Aluminum	L23
False Mullion	L13
Low Profile.	L5-L11, L29
Round.	L35-L37
Security.	L24-L28, L30-34
Security Grille	L17-L19
Sound-Rated	L6
Square Profile.	L12-L15

Stainless Steel.	L20-L22
Thru-Bolted	L16

GLASS

Fire-Protective Safety.	L38-L42
Tempered	L43
Laminated	L44
Polycarbonate High Impact	L44
Glazing Tape.	L45

Glass with Integrated Mini Blinds.	L46
Specialty Glass	L47

LOUVERS

Aluminum	L53
Fire-Rated	L54, L58-L59
Security Grille	L56-L61
Steel	L48-L52

NUMERICAL INDEX:

Model	Lite Kits	Page	Model	Glass	Page
BR7	Thru-Bolted Security Lite Kit	L28	Protect3™	Fire-Protective Safety-Wired	L38
BR7-SS	Type 304 Stainless Steel		Pyran® Platinum F	Fire-Protective Safety Ceramic	L39
	Thru-Bolted Security Lite Kit	L28	Pyran® Platinum L	Fire-Protective Safety Ceramic	L40
BR7-316SS	Type 316 Stainless Steel		TEMP20™	20-Minute Protective	L41
	Thru-Bolted Security Lite Kit	L28	Fire-Protective Wired		L42
L-CVFM-SS	Stainless Steel.	L20	Tempered		L43
L-CVFM-SS-SP	Stainless Steel Special Glass or		Insulated Tempered		L43
	Door Thickness.	L21-L22	Laminated		L44
L-FRA100	Low Profile	L5	Polycarbonate High Impact		L44
L-FRA100-ALUM	Aluminum Lite Kit	L23	Glazing Tape		L45
L-FRA100-RD	Round Low Profile.	L35	L-Mini Blinds 1" IGU		L46
L-FRA100-SP	Low Profile Special Glass		Specialty Glass		L47
	or Door Thickness.	L8-L9			
L-FRA100 STC	Sound-Rated Low Profile.	L6	Model	Louvers	Page
L-FRA100-SP STC	Sound-Rated Low Profile Special		AFDL	Steel, Self-Attaching	L48
	Glass or Door Thickness	L6	DSFP	Security Grille Face Plate	L60
L-GLF100	Square Profile.	L12	DSFP-SS	Type 304 Stainless Steel Security	
L-GLF100-SP	Square Profile Special Glass			Grille Face Plate	L60
	or Door Thickness.	L14-L15	DSFP-316SS	Type 316 Stainless Steel Security	
L-GLF100-SP-TB	Thru-Bolted Special Glass or			Grille Face Plate	L60
	Door Thickness	L16	DSFP-PERF	Security Grille Face Plate	L61
L-GLF100-TB	Thru-Bolted	L16	FDLS	Inverted Split Y No Vision Door Louver	L49
Lo-FP	Round Low Profile.	L36	FDLS-SS	Stainless Steel Inverted Split Y No	
Lo-FP-IS	Round Low Profile.	L37		Vision Door Louver	L52
Lo-Pro™	Low Profile	L7	FDLS-316SS	Type 316 Stainless Steel Inverted Split	
Lo-Pro™-IS	Low Profile Special Glass or			Y No Vision Door Louver	L52
	Door Thickness.	L10-L11	FLDL	Fire-rated Fusible Link Louver	L54
Lo-Pro-SSD	Low Profile Lite Kit with Security		FLDL-SS	Type 304 Stainless Steel Fire-rated	
	Sliding Door	L26		Fusible Link Louver	L54
L-SG100	Security Grille	L17, L19	FLDL-316SS	Type 316 Stainless Steel Fire-rated	
L-SG100-TB	Security Grille Thru-Bolted	L18-L19		Fusible Link Louver	L54
L-VGLF-MD, MDL	Security Grille with Privacy Panel	L32	FLDL-SG1	Fire-rated Fusible Link Louver	L58
L-VGLF-OG	Security Glass with Privacy Panel	L33	FLDL-SG1-SS	Type 304 Stainless Steel Fire-rated	
L-VGLF-PZ	Security Glass	L31		Fusible Link Louver	L58
L-VGLF-SF	Security Grille with Privacy Panel	L34	FLDL-SG1-316SS	Type 316 Stainless Steel Fire-rated	
L-VGLF-WD	Security Glass with Privacy Panel	L30		Fusible Link Louver	L58
Options: G2-G24	False Mullion	L13	FLDL-SG2	Fire-rated Fusible Link Louver	L59
SG-10	Thru-Bolted Security Lite Kit	L24	FLDL-SG2-SS	Type 304 Stainless Steel Fire-rated	
SG-10-SS	Type 304 Stainless Steel			Fusible Link Louver	L59
	Thru-Bolted Security Lite Kit	L24	FLDL-SG2-316SS	Type 316 Stainless Steel Fire-rated	
SG-10-316SS	Type 304 Stainless Steel			Fusible Link Louver	L59
	Thru-Bolted Security Lite Kit	L24	L-A700-A, B, BF, C	Aluminum No Vision Door and	
SG-10-SSD	Thru-Bolted Security Lite Kit			Partition Louver	L53
	with Security Sliding Door.	L27	L-700-A, B, BF, C	Steel - Adjustable 1-3/8" to 2-1/4" Doors	L50
SG-10-SSD-SS	Type 304 Stainless Steel		L-700-A-SS	Stainless Steel No Vision Door Louver	L51
	Thru-Bolted Security Lite Kit		L-700-A-316SS	Type 316 Stainless Steel No Vision	
	with Security Sliding Door.	L27		Door Louver	L51
SG-10-SSD-316SS	Type 316 Stainless Steel		L-700-RX	Steel Self-Attaching	L48
	Thru-Bolted Security Lite Kit		L-700-RX-SS	Stainless Steel No Vision Door Louver	L51
	with Security Sliding Door.	L27	L-700-RX-316SS	Type 316 Stainless Steel No Vision	
SSD	Type 304 Stainless Steel			Door Louver	L51
SSD-SS	Thru-Bolted Security Lite Kit		L-1800	Adjustable Blade	L55
	with Security Sliding Door for Vision Lite Kit	L25	L-1900	Fire-rated Fusible Link	L54
	Type 304 Stainless Steel Security		L-VRSG-2	Security Grille	L57
	Sliding Door for Vision Lite Kit.	L25	L-VRSG-3	Security Grille (Both sides)	L57
SSD-316SS	Type 316 Stainless Steel Security		L-Clips	H.M. Door Reinforcement	L62
	Sliding Door for Vision Lite Kit.	L25	Lite Kit and Louver Fasteners		L62
STORM-PRO-HR	Low Profile Hurricane Rated Lite Kit.	L29	PLSL	Inverted Split Y No Vision Security	
STORM-PRO-HR-SS	Type 304 Stainless Steel Low			Door Louver	L56
	Profile Hurricane Rated Lite Kit	L29	PLSL-SS	Type 304 Stainless Steel Inverted	
	Type 316 Stainless Steel Low			Split Y No Vision Security Door Louver	L56
STORM-PRO-HR-316SS	Profile Hurricane Rated Lite Kit.	L29	PLSL-316SS	Type 316 Stainless Steel Inverted	
	Type 316 Stainless Steel Low			Split Y No Vision Security Door Louver	L56

TECHNICAL INFORMATION

RATINGS AND LEED



POSITIVE PRESSURE - CERTIFIED by UL to ANSI/UL10C; complies with IBC, NFPA 80 and NFPA 252 for application to Hollow Metal fire doors rated up to 3 Hrs., and Wood fire doors rated up to 90 minutes.



CERTIFIED by UL to CAN/ULC-S104 and ANSI/UL10B, complies with NFPA 80 and NFPA 252 for application to Hollow Metal fire doors rated up to 3 Hrs., and Wood fire doors rated up to 90 minutes.



Tested to British Standard BS476.22; Timber Doors 30 Min. and 1 Hour, Steel Doors 2 Hours (4 Hours Actual)

LITE KIT TECHNICAL INFORMATION

Fire-Rated Lite Kits: Lite Kits installed in fire-rated doors require fire-rated glass and glazing tape.

Impact Safety-Rated Glass requirements: IBC requires all individual glazed areas in swinging doors to be impact safety-rated to comply with the CPSC 16CFR 1201 Category I or II.

Accessibility Standard Compliance: ADA Standards for Accessible Design, requires that the bottom of the glass panel in a vision lite be located 43" maximum above the floor. An exception for vision lites with the lowest part more than 66" above the floor are not required to comply.

LOUVER TECHNICAL INFORMATION

Steel louvers over 46" wide and aluminum louvers over 36" wide must be furnished as two louver cores. Wider Louvers for Transom applications require two louvers installed side by side.

LEED GREEN BUILDING

The LEED (Leadership in Energy and Environmental Design) Green Building Rating System® is a national standard for developing high-performance, sustainable buildings developed by the U. S. Green Building Council. Our current LEED letter containing LEED qualification information for all our products is available at www.ngp.com

Environmental Product Declarations (EPD) prepared and certified by an Independent Laboratory based on Life Cycle Assessments (LCA) of our products may be viewed on our website www.ngp.com

Health Product Declarations (HPD) may be viewed on our website www.ngp.com

National Guard Products sustainability report may be viewed on our website www.ngp.com

Contact us regarding our end of use product recycling program.

TECHNICAL INFORMATION

POWDER COAT CHART

Colors may have a slight variation on your monitor or printer.
Contact NGP for actual color samples to be mailed.

STANDARD COLORS



GPZ-Gray Primer



T-Tan



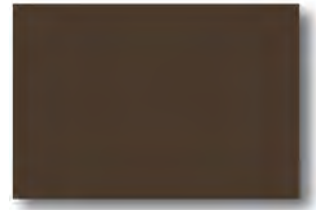
BPR-Beige Primer
(matches Steelcraft)



DKB-Dark Bronze



PTY-Putty
(matches Anemostat Beige)

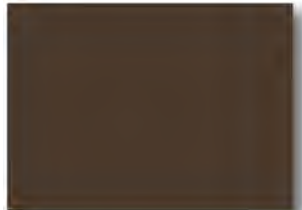


CAB-California Bronze
(matches Anemostat)

OPTIONAL COLORS



B-Brass



WB-Walnut Brown
(matches Timely Browntone)



ASL-Aluminum Silver
(metallic)



TBL-Textured Black
GBL-Gloss Black
MBL-Matte Black



MW-Magnolia White
(matches Timely Western White)



W-White

TECHNICAL INFORMATION

MATERIALS

Lite Kits are available in Cold Rolled Steel, Galvanneal Steel, and Stainless Steel (type 304).

Louvers are available in Cold Rolled Steel, Galvanneal Steel, and Aluminum Alloy 6063-T5.

Corrosion Resistant Sealer: A polymeric green seal (non-chrome) corrosion resistance extender is applied under all NGP powder coat finishes. Laboratory salt spray tests prove a dramatic increase in corrosion resistance on steel products with this sealer applied to the metal prior to the powder coat finish.

Salt Spray Test Results: Steel lite kits with NGP's corrosion resistant sealer and powder coat finish withstood 1,248 hours without failing. This is 2-1/2 times longer than the protection provided by powder coating only.

ZINC ELECTRO-PLATING

Available on steel lite kits and louvers for extra corrosion resistance; recommended for exterior, wet areas, and coastal salt air locations. Zinc electro-plating will be applied prior to the powder coat finish. Specify on order "Zinc EL-Plate" and powder coat color desired. Not available on insect screen.

HOW TO ORDER EXAMPLE

Quantity	Model#	Finish	Cut-out Size (width x height)	Options
10	L-FRA100-SP	DKB	24" x 30"	for 1" Thick Glass

BUY AMERICAN

REQUIREMENTS

Buy American Act

Over 99% of our products are produced in the United States as a domestic construction material, as defined in the Buy American Act (BAA) of March 1933 and amended by the Buy American Act of 1988 and FAR 52.225-9. A Buy American certificate may be obtained on our website www.ngp.com

Federal American Recovery and Reinvestment Act

More than 99% of our products qualify as manufactured products produced in the United States as manufactured goods, as defined in OMB Guidance (176.140; 176.70(a) (2) (ii); 176.160, complying with the Federal American Recovery Reinvestment Act, ARRA-2009. Contact us for a Buy America ARRA certificate for your project.

Buy America

More than 99% of our products comply with Buy America Requirements of 49 U.S.C. 5323(j)(1), and the applicable regulations in 49 CFR part 661. Contact us for a Certificate of Compliance for your project.

Components of unknown origin are considered to have been produced or manufactured outside the United States.

L-FRA100

LOW PROFILE LITE KIT

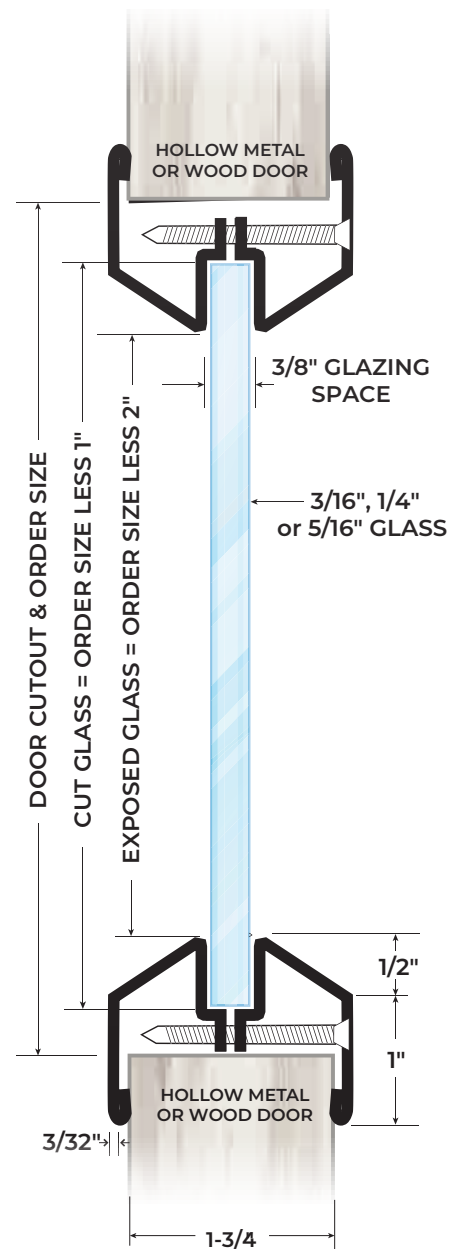


**FOR 1 3/4" THICK DOORS AND 3/16",
1/4" OR 5/16" GLASS**

- ▶ 18 Ga. Cold Rolled Steel
- ▶ Mitered and Welded Corners
- ▶ Welded Reinforcing Clips at Corners
- ▶ Counter-Sunk Mounting Screw-Holes
- ▶ #8 X 1 3/4" Phillips Head SMS
- ▶ Available in Uneven and Fractional Sizes
- ▶ Gray Primer (GPZ) Powder Coat Finish

Available Options

- ▶ Powder Coat Color Options - See Page L3
- ▶ Torx Security Screws
- ▶ Galvanneal - A40 Steel
- ▶ Zinc Electro-Plating
- ▶ Glass & Glazing Tape - See Glass Section
- ▶ Lead Lining - .030" Thick



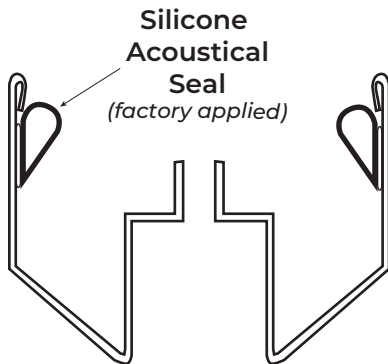
Not To Scale

Designed for Use on 1 3/4" Thick Doors Manufactured
Within Door Industry Tolerance of +/- 1/16".

L-FRA100 STC & L-FRA100-SP STC

LOW PROFILE SOUND-RATED LITE KIT OPTION - SUFFIX "STC"

SILICONE ACOUSTICAL SEAL APPLIED TO REDUCE SOUND TRANSMISSION



Acoustical Testing performed at Intertek Testing, Inc. to:

- ASTM E 90* Standard Test Method for Laboratory Measurement of Airborne Sound Transmission Loss of Building Partitions and Elements.
- ASTM E 413* Classification for Rating Sound Insulation.
- ASTM E 1332* Standard Classification for Rating Outdoor-Indoor Sound Attenuation.
- ASTM E 2235* Standard Test Method for Determination of Decay Rates for Use in Sound Insulation Test Methods.

STC Ratings:

Protect3™	STC 28
TEMP20™	STC 28
Wired	STC 28
Polycarbonate ¼"	STC 29
Pyran® Platinum F	STC 31
Tempered ¼"	STC 31
Polycarbonate ½"	STC 34
Insulated Tempered 1"	STC 35
Laminated ¼"	STC 35
Pyran® Platinum L	STC 36
Insulated Laminated 1"	STC42

FOR 1 3/4" THICK DOORS AND 3/16", 1/4" OR 5/16" GLASS

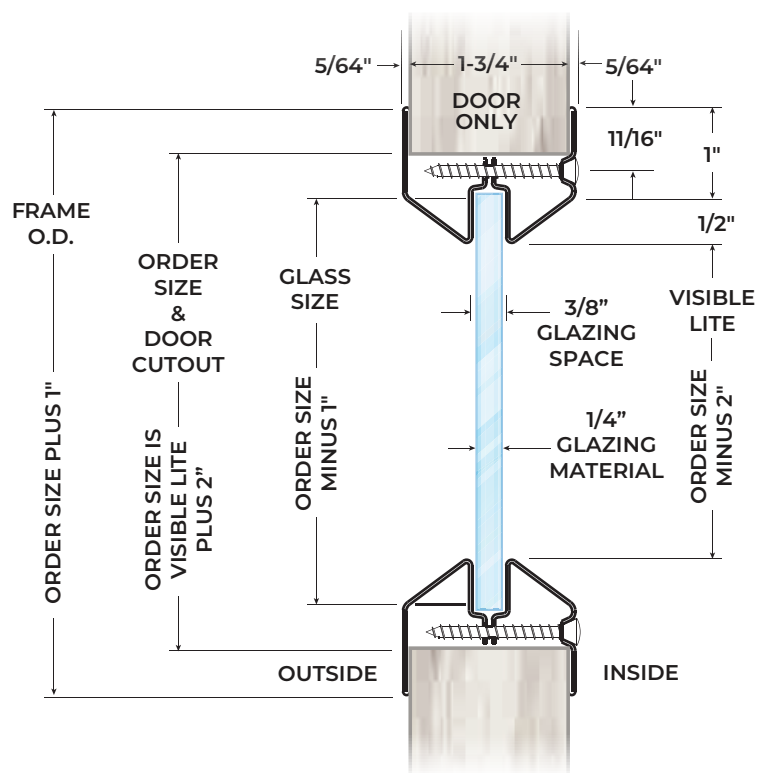
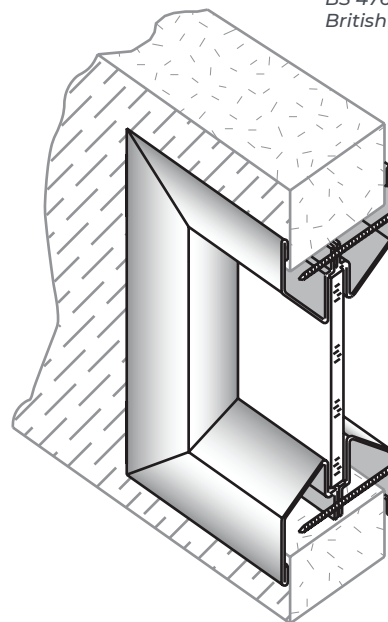
- ▶ 20 Ga. Cold Rolled Steel
- ▶ Mitered and Welded Corners
- ▶ Counter-Sunk Mounting Screw-Holes
- ▶ #8 X 1 3/4" Phillips Head SMS
- ▶ Available in Uneven and Fractional Sizes
- ▶ Gray Primer (GPZ) Powder Coat Finish

Available Options

- ▶ Powder Coat Color Options - See Page L3
- ▶ Torx Security Screws
- ▶ Galvanneal - A40 Steel
- ▶ Zinc Electro-Plating
- ▶ Glass & Glazing Tape - See Glass Section
- ▶ Lead Lining - .030" Thick



EN-1634
European Std.
BS 476.22
British Std.



Not To Scale

Designed for Use on 1 3/4" Thick Doors Manufactured Within Door Industry Tolerance of +/- 3/16".

L-FRA100-SP

LOW PROFILE LITE KIT



FOR VARIABLE DOOR AND/OR GLASS THICKNESS

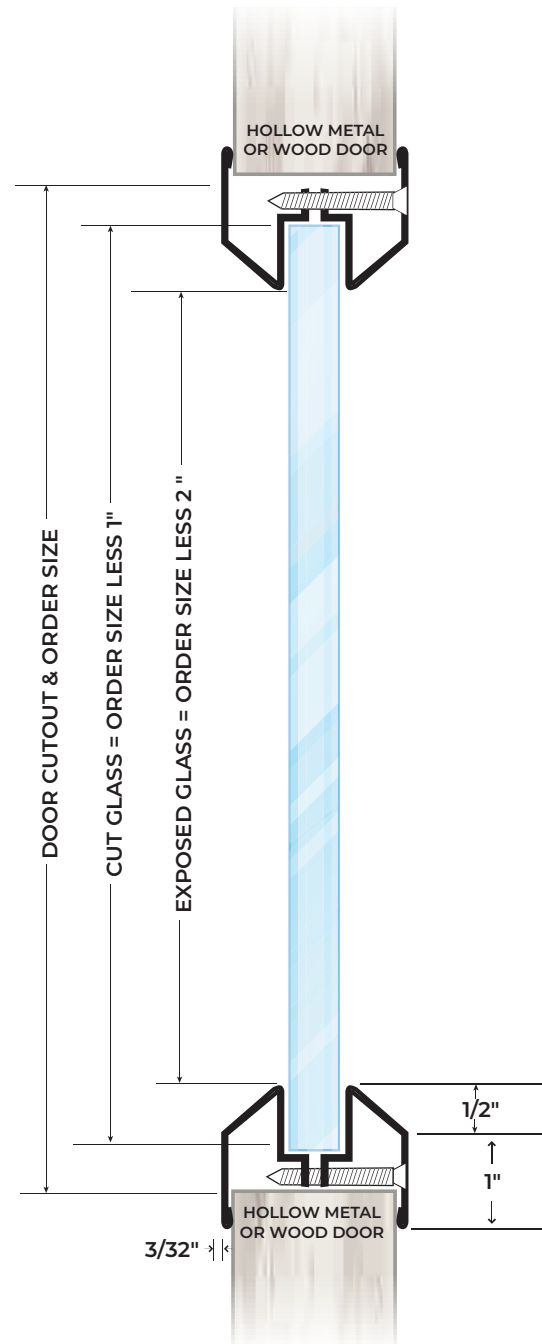
- ▶ 18 Ga. Cold Rolled Steel
- ▶ Mitered and Welded Corners
- ▶ Welded Reinforcing Clips at Corners
- ▶ Counter-Sunk Mounting Screw-Holes
- ▶ #8 Phillips Head SMS
- ▶ Available in Uneven and Fractional Sizes
- ▶ Gray Primer (GPZ) Powder Coat Finish

Required Information

- ▶ Specify Glass Thickness on Order
- ▶ Specify Door Thickness on Order if Other Than 1 $\frac{3}{4}$ "

Available Options

- ▶ Powder Coat Color Options - See Page L3
- ▶ Torx Security Screws
- ▶ Galvanneal - A40 Steel
- ▶ Zinc Electro-Plating
- ▶ Glass & Glazing Tape - See Glass Section
- ▶ Lead Lining - .030" Thick



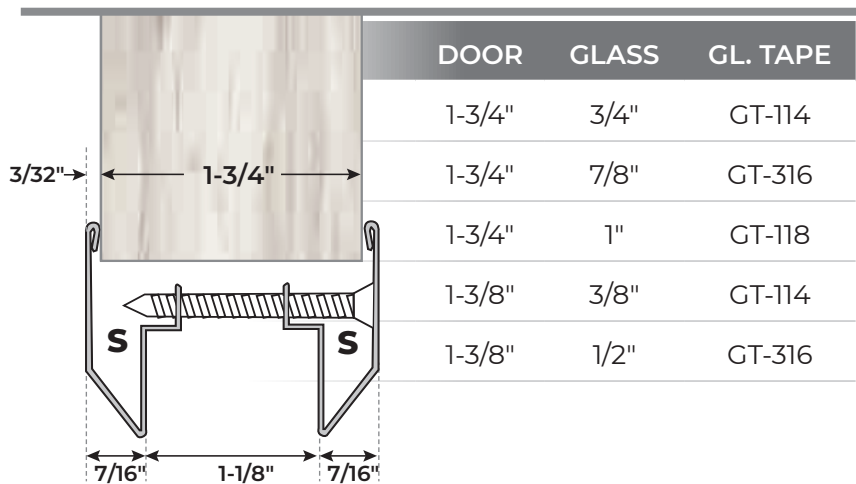
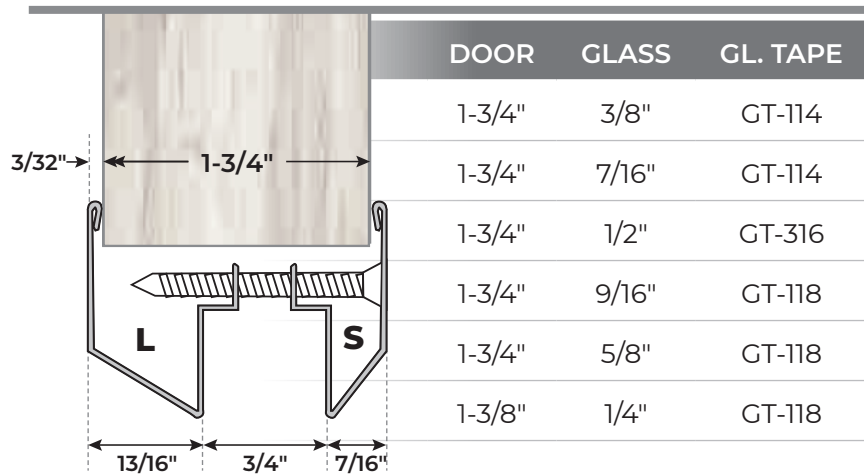
Not To Scale

Designed for Use on 1 $\frac{3}{4}$ " Thick Doors Manufactured Within Door Industry Tolerance of +/- $\frac{1}{16}$ ".

L-FRA100-SP

GLASS AND DOOR COMBINATIONS

- Details Shown are for 1 3/4" Door Thickness
- Only Configurations Shown are Available



LO-PRO™-IS

LOW PROFILE LITE KIT

FOR VARIABLE DOOR AND/OR GLASS THICKNESS

- ▶ 20 Ga. Cold Rolled Steel
- ▶ Mitered and Welded Corners
- ▶ Counter-Sunk Mounting Screw-Holes
- ▶ #8 Phillips Head SMS
- ▶ Available in Uneven and Fractional Sizes
- ▶ Gray Primer (GPZ) Powder Coat Finish

Required Information

- ▶ Specify Glass Thickness on Order
- ▶ Specify Door Thickness on Order if Other Than 1 3/4"

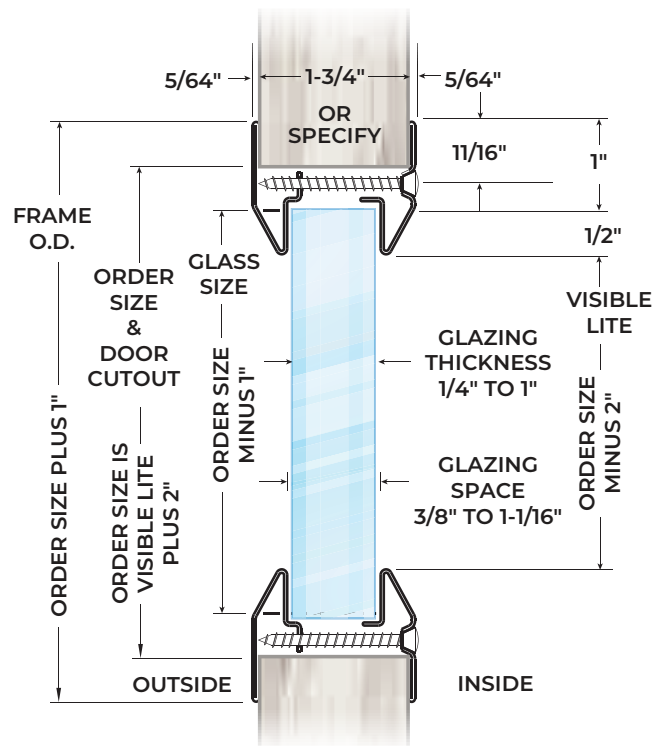
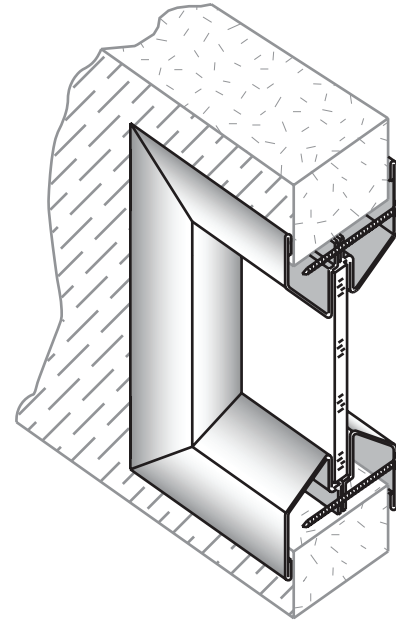
Available Options

- ▶ Powder Coat Color Options - See Page L3
- ▶ Torx Security Screws
- ▶ Galvanneal - A40 Steel
- ▶ Zinc Electro-Plating
- ▶ Glass & Glazing Tape - See Glass Section
- ▶ Lead Lining - .030" Thick

Anemostat
DOOR PRODUCTS



EN-1634
European Std.
BS 476.22
British Std.



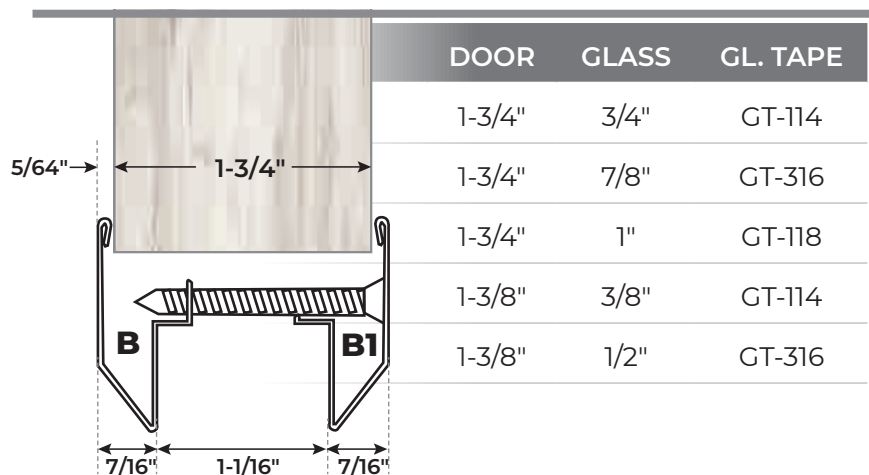
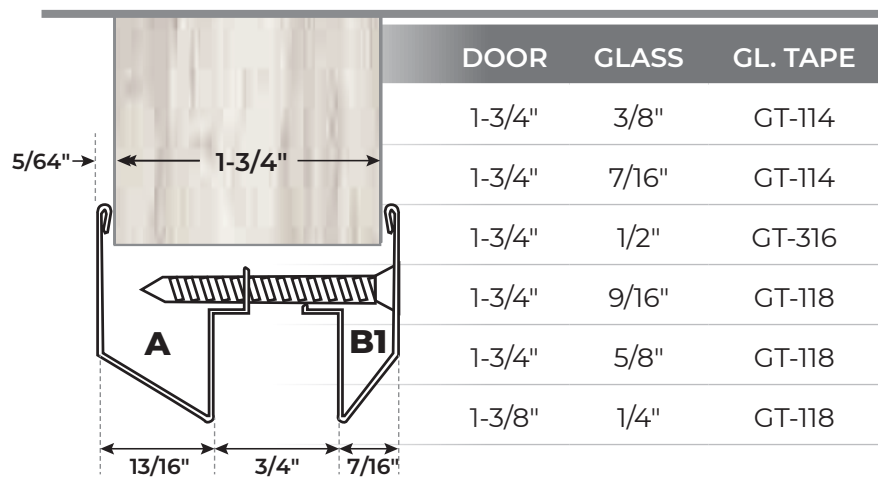
Not To Scale

Designed for Use on 1 3/4" Thick Doors Manufactured Within Door Industry Tolerance of +/- 1/16".

LO-PRO™-IS

GLASS AND DOOR COMBINATIONS

- ▶ Details Shown are for 1¾" Door Thickness
- ▶ Only Configurations Shown are Available



L-GLF100

SQUARE PROFILE LITE KIT

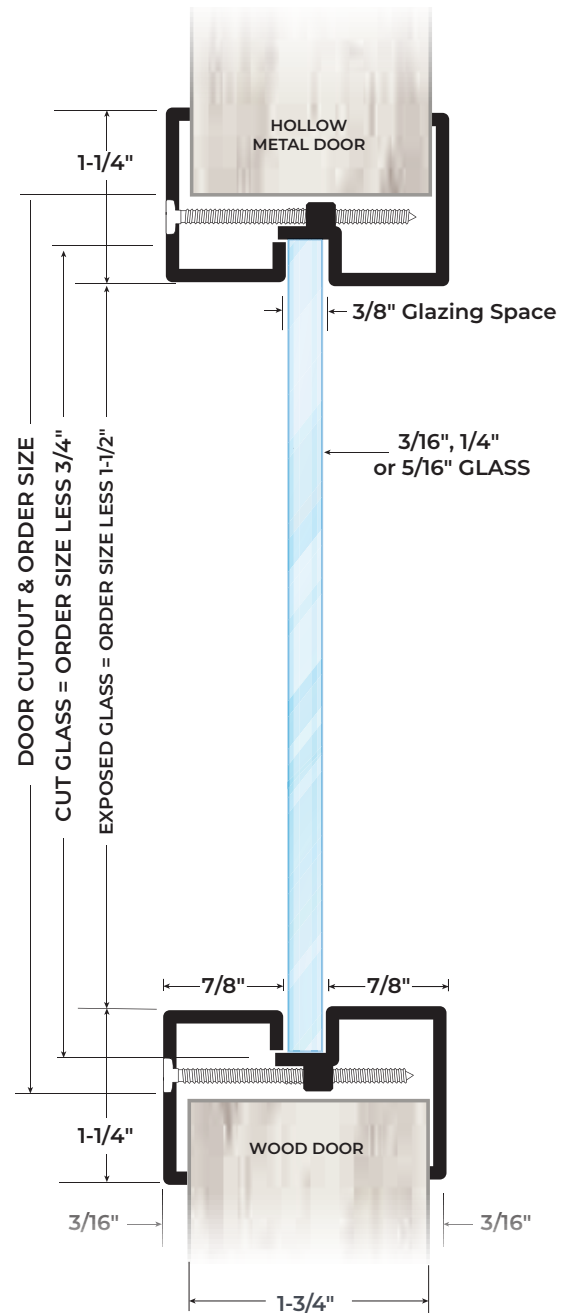
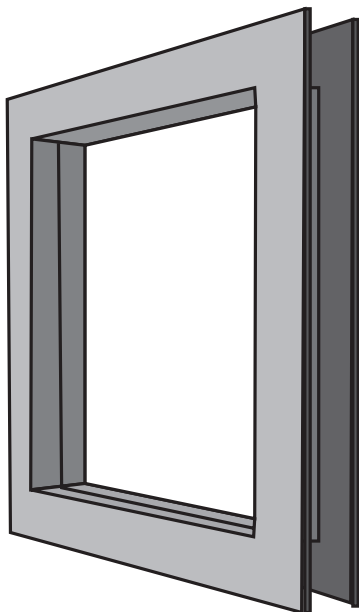
FOR 1 3/4" THICK DOORS AND 3/16", 1/4", OR 5/16" GLASS



- ▶ 18 Ga. Cold Rolled Steel
- ▶ Mitered and Welded Corners
- ▶ Welded Reinforcing Clips at Corners
- ▶ Counter-Sunk Mounting Screw-Holes
- ▶ #6 X 1 3/4" Phillips Truss Head SMS
- ▶ Available in Uneven and Fractional Sizes
- ▶ Gray Primer (GPZ) Powder Coat Finish

Available Options

- ▶ Powder Coat Color Options - See Page L3
- ▶ False Mullion Bars (Page L14)
- ▶ Torx Security Screws
- ▶ Galvanneal - A40 Steel
- ▶ Zinc Electro-Plating
- ▶ Glass & Glazing Tape - See Glass Section
- ▶ Lead Lining - .030" Thick



Not To Scale

Designed for Use on 1 3/4" Thick Doors Manufactured Within Door Industry Tolerance of +/- 3/16".

Not To Scale

Designed for Use on Doors Manufactured Within Door Industry Tolerance of +/- 1/16".

FALSE MULLION LITE KITS

- ▶ 1" Wide Steel Channel
- ▶ Fits L-GLF100, L-GLF100-SP, L-GLF100-TB, L-GLF100-SP-TB, L-SG100, L-SG100-TB
- ▶ Mullion Bars Welded Into Both Sides of Lite Kit
- ▶ Finished to Match Lite Kit



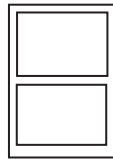
Available Options

- ▶ Zinc Electro-Plating

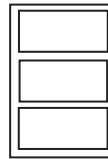
To Order

Specify Lite Kit x G# (i.e.: G2, G3, G4 etc.)

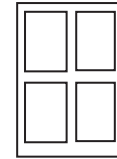
If Other Than as Illustrated, Provide Detail & Suffix G-SP



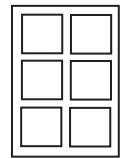
G2
(1 Bar)



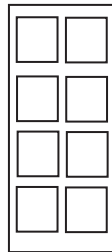
G3
(2 Bars)



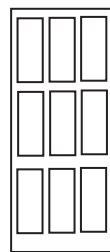
G4
(2 Bars)



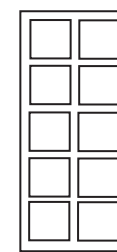
G6
(3 Bars)



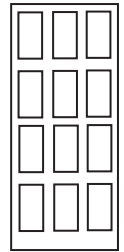
G8
(4 Bars)



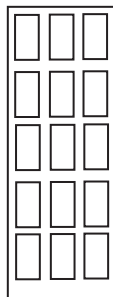
G9
(4 Bars)



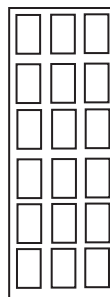
G10
(5 Bars)



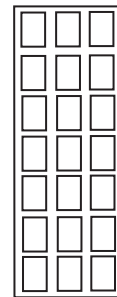
G12
(5 Bars)



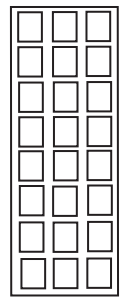
G15
(6 Bars)



G18
(7 Bars)



G21
(8 Bars)



G24
(9 Bars)

L-GLF100-SP

SQUARE PROFILE LITE KIT



FOR VARIABLE DOOR AND/OR GLASS THICKNESS

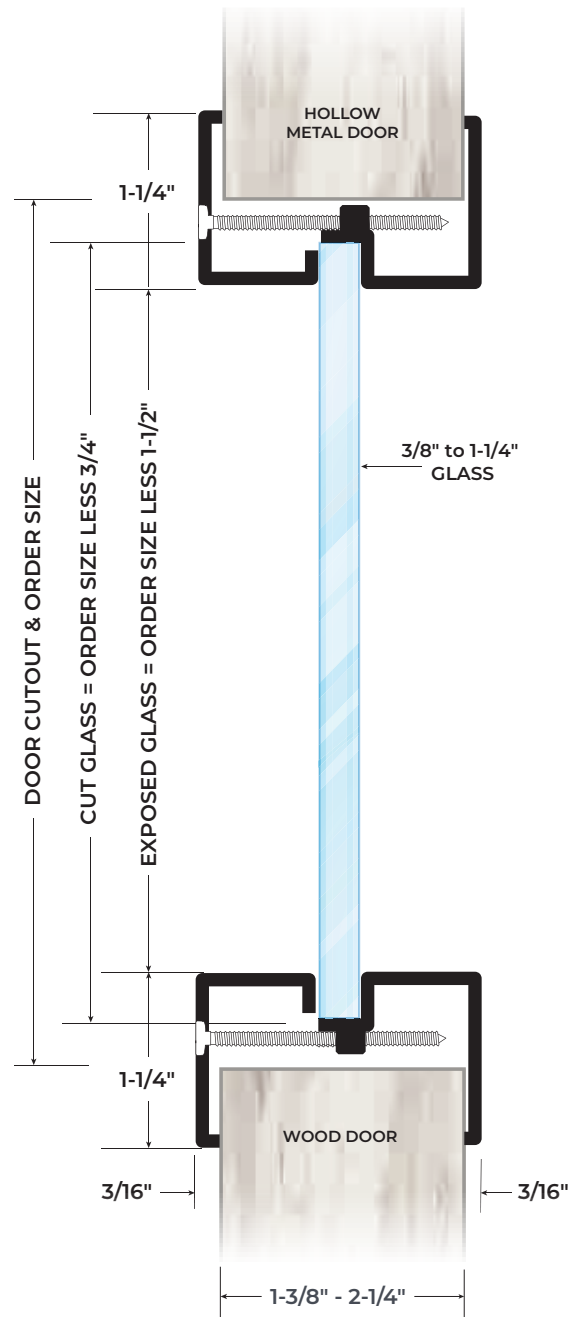
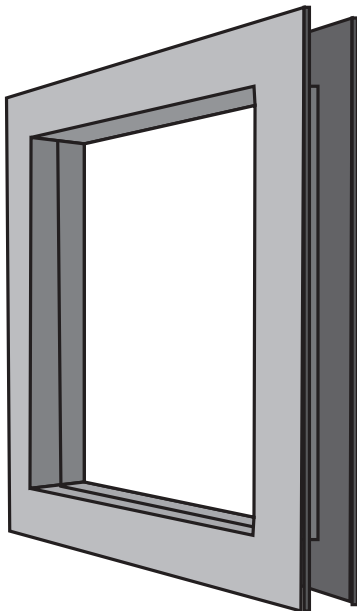
- ▶ 18 Ga. Cold Rolled Steel
- ▶ Mitered and Welded Corners
- ▶ Welded Reinforcing Clips at Corners
- ▶ Counter-Sunk Mounting Screw-Holes
- ▶ #6 Phillips Truss Head SMS
- ▶ Gray Primer (GPZ) Powder Coat Finish

Required Information

- ▶ Specify Glass Thickness on Order
- ▶ Specify Door Thickness on Order if Other Than 1 3/4"

Available Options

- ▶ Powder Coat Color Options - See Page L3
- ▶ False Mullion Bars (Page L14)
- ▶ Torx Security Screws
- ▶ Galvanneal - A40 Steel
- ▶ Zinc Electro-Plating
- ▶ Glass & Glazing Tape - See Glass Section
- ▶ Lead Lining - .030" Thick



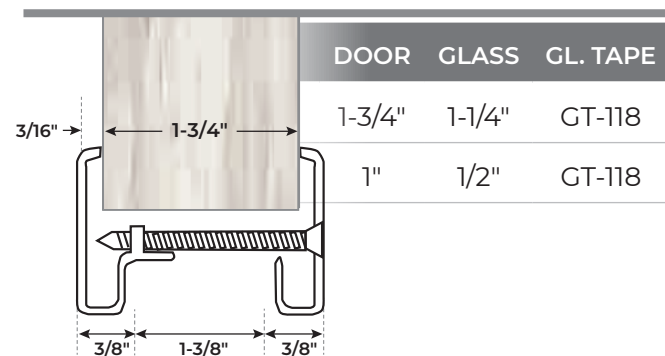
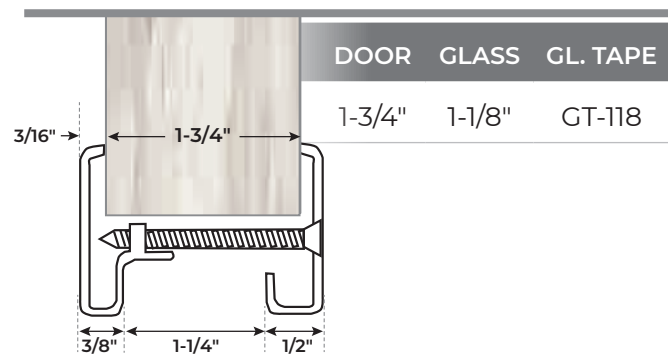
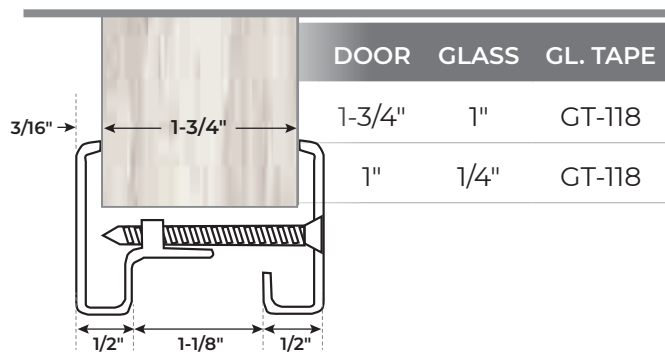
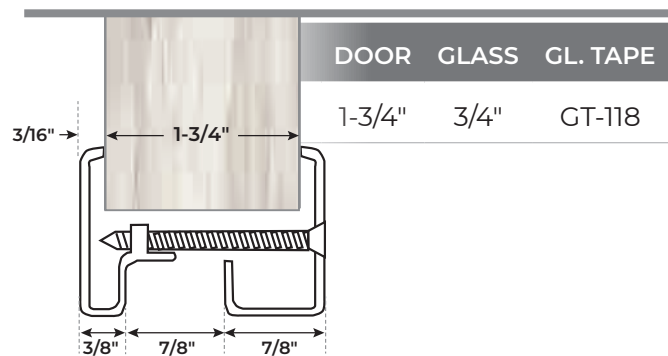
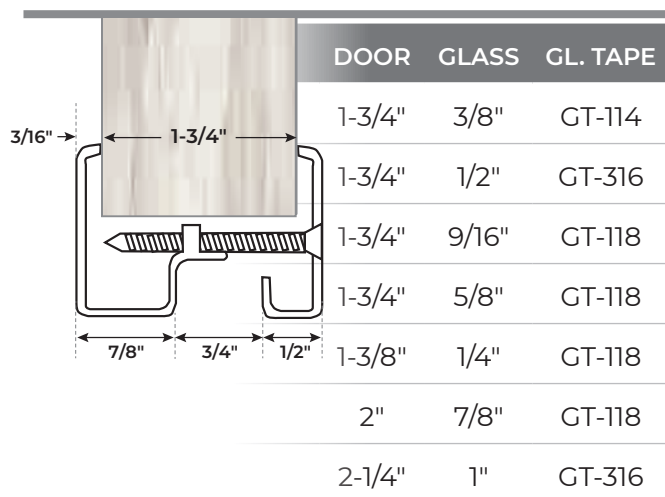
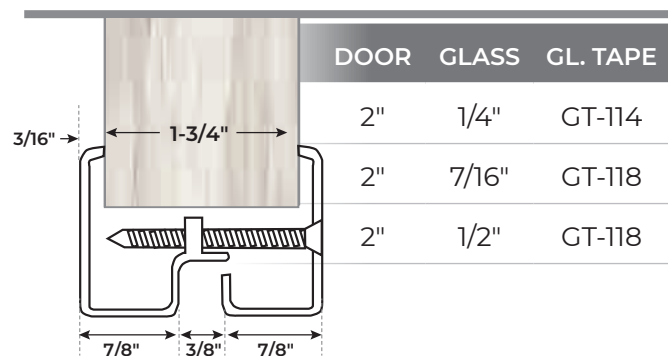
Not To Scale

Designed for Use on 1 3/4" Thick Doors Manufactured Within Door Industry Tolerance of +/- 3/16".

L-GLF100-SP AND L-GLF100-SP-TB

GLASS AND DOOR COMBINATIONS

- Details Shown are for 1 3/4" Door Thickness
- Only Configurations Shown are Available
- Thru-Bolts Available for 1 3/4" Thick Doors Only



L-GLF100-TB

THRU-BOLTED LITE KIT

FOR 1 3/4" THICK DOORS AND 3/16", 1/4", OR 5/16" GLASS



- ▶ 18 Ga. Cold Rolled Steel
- ▶ Mitered and Welded Corners
- ▶ Welded Reinforcing Clips at Corners
- ▶ Counter-Sunk Mounting Screw-Holes
- ▶ Thru-Bolts for 1 3/4" Door
- ▶ Gray Primer (GPZ) Powder Coat Finish

Available Options

- ▶ Powder Coat Color Options - See Page L3
- ▶ False Mullion Bars (Page L14)
- ▶ Torx Security Thru-Bolts
- ▶ Galvanneal - A40 Steel
- ▶ Zinc Electro-Plating
- ▶ Glass & Glazing Tape - See Glass Section
- ▶ Lead Lining - .030" Thick

L-GLF100-SP-TB

THRU-BOLTED LITE KIT

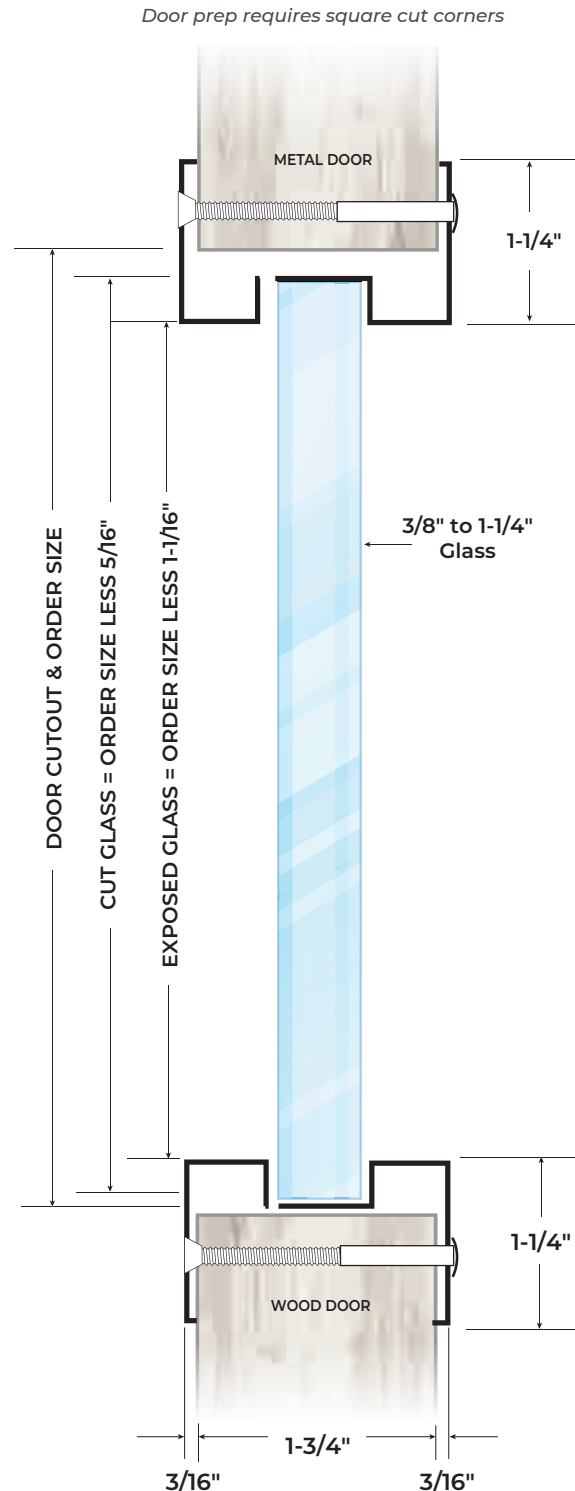
FOR 1 3/4" THICK DOORS AND VARIABLE GLASS THICKNESS 3/8" TO 1 1/4"

- ▶ 18 Ga. Cold Rolled Steel
- ▶ Mitered and Welded Corners
- ▶ Welded Reinforcing Clips at Corners
- ▶ Counter-Sunk Mounting Screw-Holes
- ▶ Thru-Bolts for 1 3/4" Door
- ▶ Gray Primer (GPZ) Powder Coat Finish

Required Information: Specify Glass Thickness

Available Options

- ▶ Powder Coat Color Options - See Page L3
- ▶ False Mullion Bars (Page L14)
- ▶ Torx Security Thru-Bolts
- ▶ Galvanneal - A40 Steel
- ▶ Zinc Electro-Plating
- ▶ Glass & Glazing Tape - See Glass Section
- ▶ Lead Lining - .030" Thick



Not To Scale

Designed for Use on 1 3/4" Thick Doors Manufactured Within Door Industry Tolerance of +/- 3/16".

L-SG100-TB

THRU-BOLTED SECURITY GRILLE LITE KIT

FOR 1 3/4" THICK DOORS AND VARIABLE GLASS THICKNESS

- ▶ 18 Ga. Cold Rolled Steel
- ▶ 16 Ga. Steel 3/4" x 3/4" Security Grille Welded in Both Sides
- ▶ Mitered and Welded Corners
- ▶ Welded Reinforcing Clips at Corners
- ▶ Counter-Sunk Mounting Screw-Holes
- ▶ Thru-Bolts for 1 3/4" Door
- ▶ Gray Primer (GPZ) Powder Coat Finish

Required Information

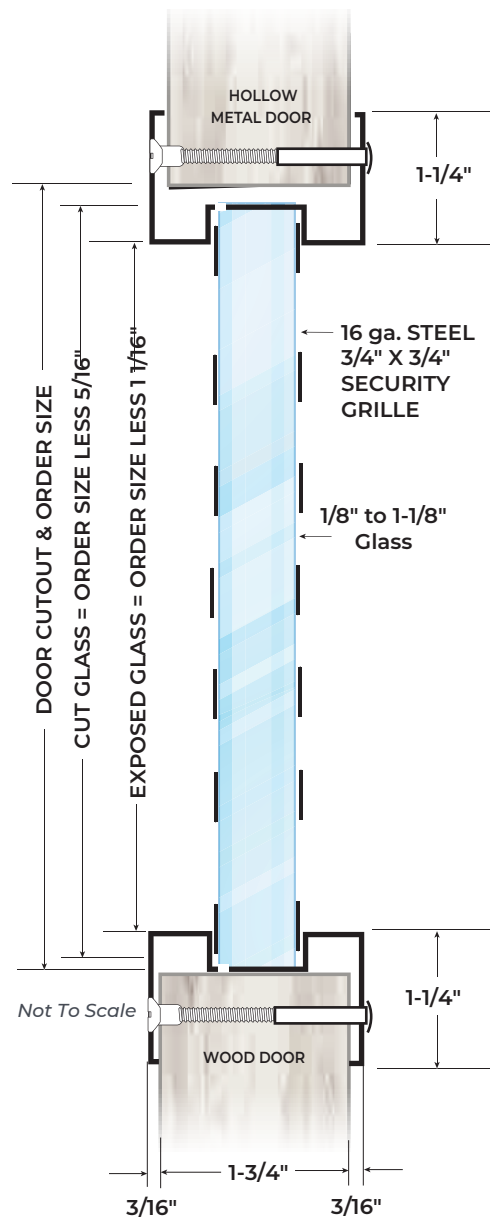
- ▶ Specify Glass Thickness on Order
- ▶ (See page L15 for available sizes)

Available Options

- ▶ Powder Coat Color Options - See Page L3
- ▶ False Mullion Bars (Page L14)
- ▶ Torx Security Thru-Bolts
- ▶ Galvanneal - A40 Steel
- ▶ Zinc Electro-Plating
- ▶ Glass & Glazing Tape - See Glass Section
- ▶ Lead Lining - .030" Thick

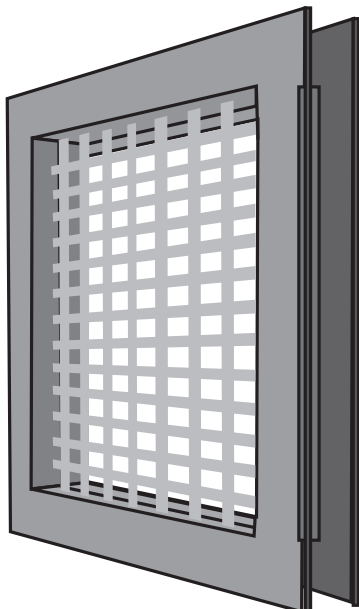


*up to 90 minutes



Not To Scale

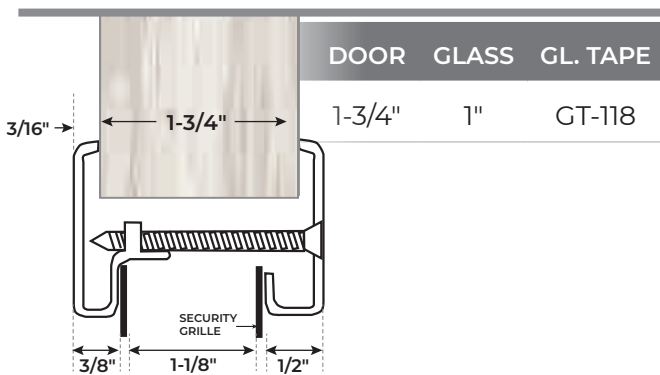
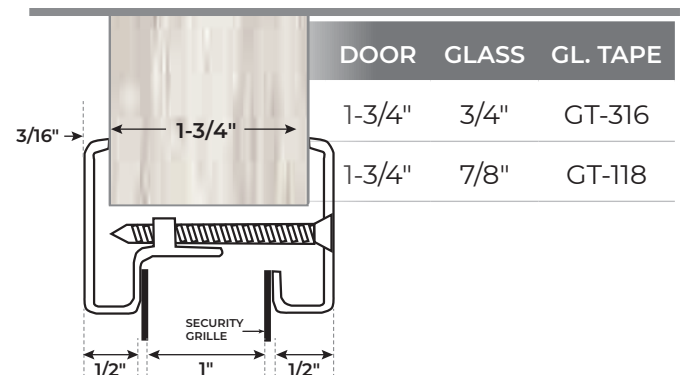
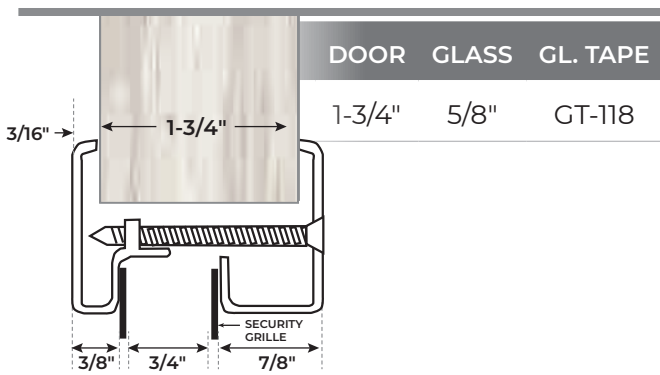
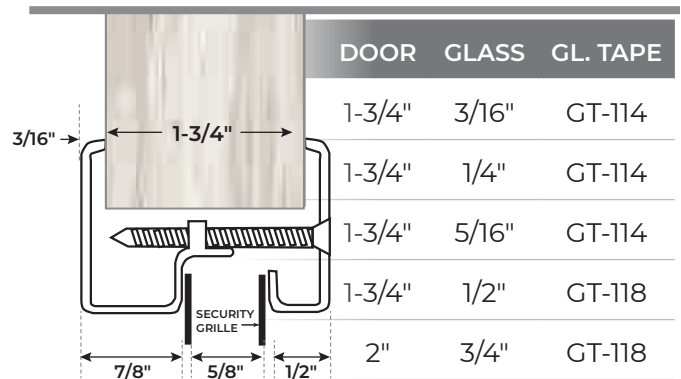
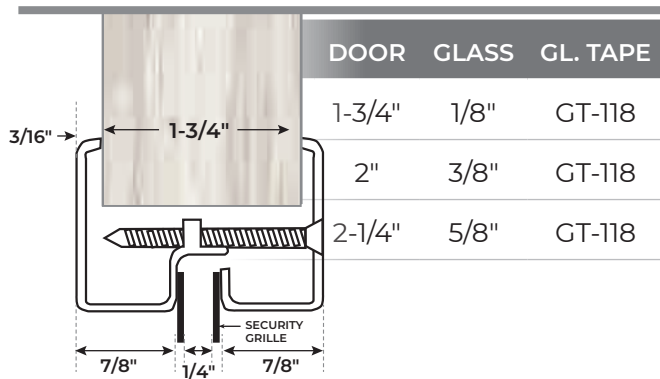
Designed for Use on 1 3/4" Thick Doors Manufactured Within Door Industry Tolerance of +/- 1/16".



L-SG100 AND L-SG100-TB

GLASS AND DOOR COMBINATIONS—SECURITY GRILLE

- Details Shown are for 1 3/4" Door Thickness
- Only Configurations Shown are Available
- Thru-Bolts Available for 1 3/4" Thick Doors Only



L-CVFM-SS

STAINLESS STEEL LITE KIT

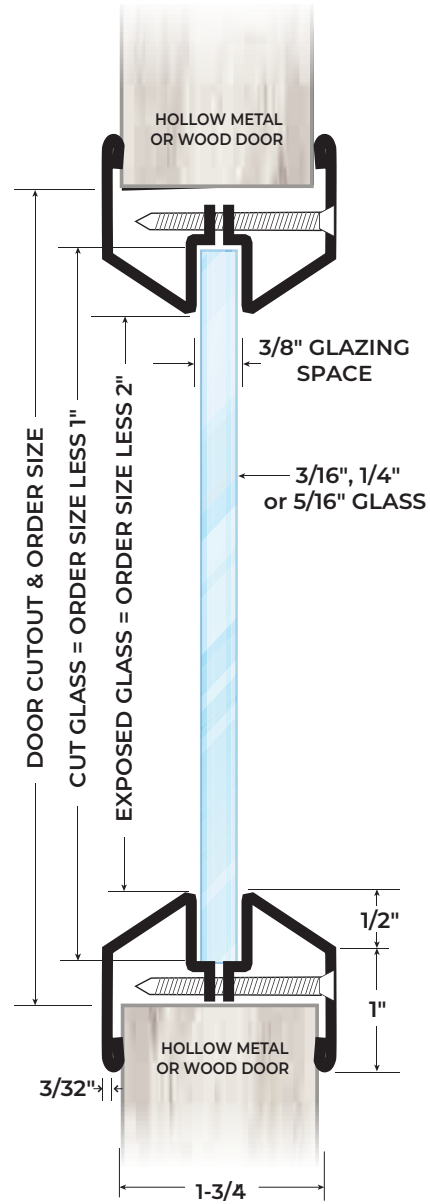
**FOR 1 3/4" THICK DOORS AND 3/16", 1/4",
OR 5/16" GLASS**



- ▶ 18 Ga. Type 304 Stainless Steel
- ▶ Mitered and Welded Corners
- ▶ Counter-Sunk Mounting Screw-Holes
- ▶ Available in Uneven and Fractional Sizes
- ▶ #8 X 1 3/4" Phillips Head SMS
- ▶ #4 Satin Finish

Available Options

- ▶ 18 Ga. Type 316 Stainless Steel –
Specify L-CVFM-316SS
- ▶ Torx Security Screws
- ▶ Glass & Glazing Tape - See Glass Section
- ▶ Lead Lining - .030" Thick



Not To Scale

Designed for Use on 1 3/4" Thick Doors Manufactured
Within Door Industry Tolerance of +/- 1/16".

L-CVFM-SS-SP

STAINLESS STEEL LITE KIT



FOR VARIABLE DOOR AND/OR GLASS THICKNESS

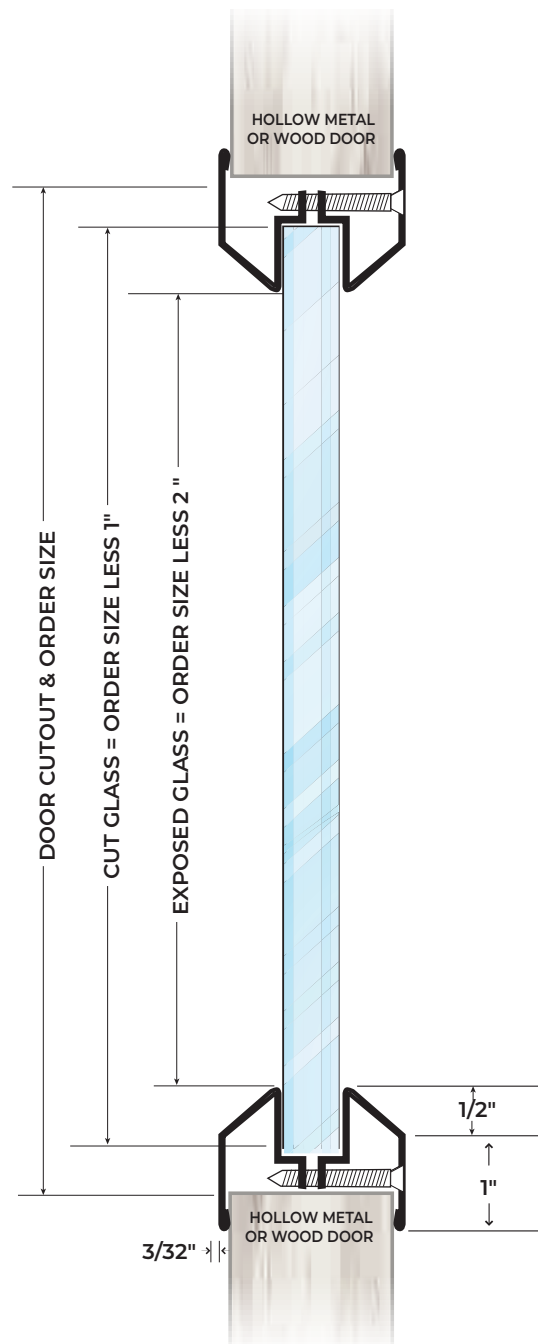
- ▶ 18 Ga. Type 304 Stainless Steel
- ▶ Mitered and Welded Corners
- ▶ Welded Reinforcing Clips at Corners
- ▶ Counter-Sunk Mounting Screw-Holes
- ▶ Available in Uneven and Fractional Sizes
- ▶ #8 Phillips Head SMS
- ▶ #4 Satin Finish

Required Information

- ▶ Specify Glass Thickness on Order
- ▶ Specify Door Thickness on Order if Other Than $1\frac{3}{4}$ "

Available Options

- ▶ 18 Ga. Type 316 Stainless Steel –
Specify *L-CVFM-316SS-SP*
- ▶ Torx Security Screws
- ▶ Glass & Glazing Tape - See Glass Section
- ▶ Lead Lining - .030" Thick



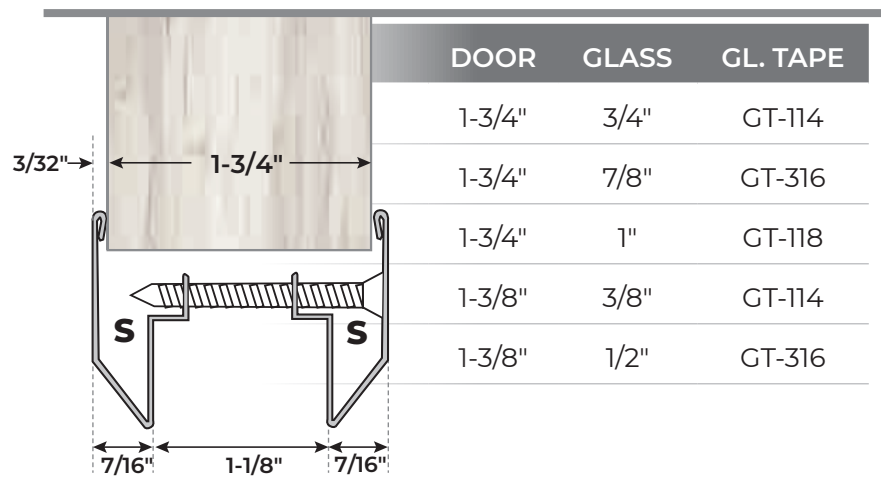
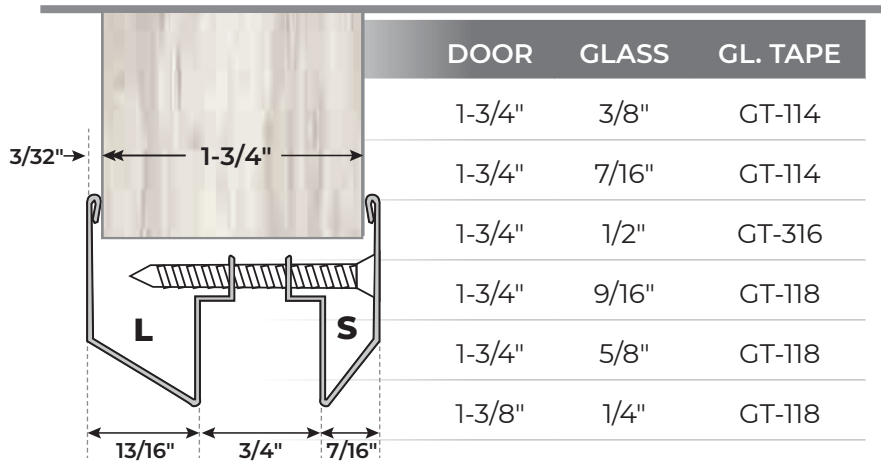
Not To Scale

Designed for Use on $1\frac{3}{4}$ " Thick Doors Manufactured Within Door Industry Tolerance of $\pm\frac{1}{16}$ ".

L-CVFM-SS-SP

GLASS AND DOOR COMBINATIONS

- Details Shown are for 1 3/4" Door Thickness
- Only Configurations Shown are Available



L-FRA100-ALUM

ALUMINUM LITE KIT

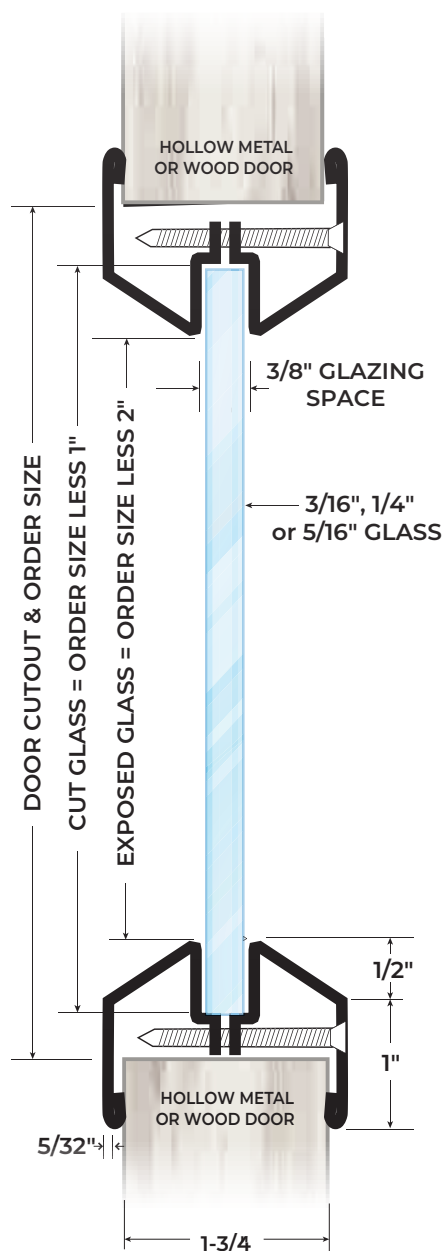
FOR 1 3/4" THICK DOORS AND 3/16", 1/4", OR 5/16" GLASS

- ▶ .050 Extruded Aluminum
- ▶ Mitered and Welded Corners
- ▶ Welded Reinforcing Clips at Corners
- ▶ Counter-Sunk Mounting Screw-Holes
- ▶ Available in Uneven and Fractional Sizes
- ▶ #8 X 1 3/4" Phillips Head SMS
- ▶ Aluminum Silver (ASL) Powder Coat Finish

Available Options

- ▶ Powder Coat Color Options - See Page L3
- ▶ Torx Security Screws
- ▶ Glass & Glazing Tape - See Glass Section
- ▶ Lead Lining - .030" Thick

NOT FIRE-RATED



Not To Scale

Designed for Use on 1 3/4" Thick Doors Manufactured Within Door Industry Tolerance of +/- 1/16".

SG-10

THRU - BOLTED SECURITY LITE KIT

FOR 1 3/4" UP TO 2 1/4" THICK DOORS AND 3/16" UP TO 1 9/16" GLASS

- ▶ 10 Ga. Cold Rolled Steel for Glass up to 1" Thick
- ▶ 12 Ga. Cold Rolled Steel for Glass Over 1" Thick
- ▶ Mitered and Welded Corners
- ▶ Counter-Sunk Mounting Screw-Holes
- ▶ #8-32 One Way Vandal Resistant Security Screw Thru-Bolts
- ▶ Gray Primer (GPZ) Powder Coat Finish

Required Information:

Specify Door Thickness if Other Than 1 3/4"

Specify Glass Thickness

Available Options

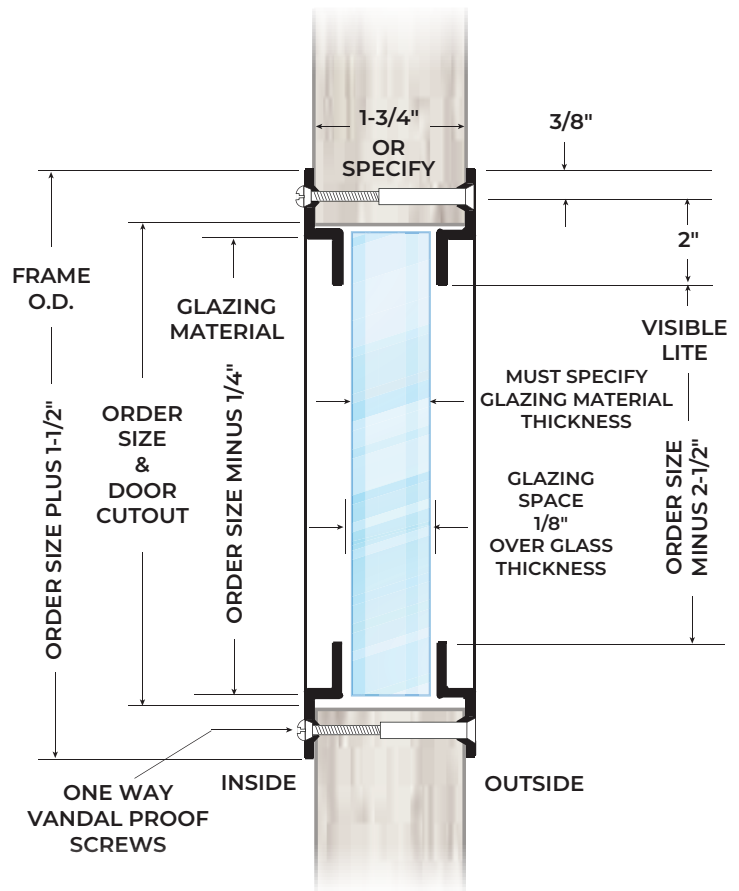
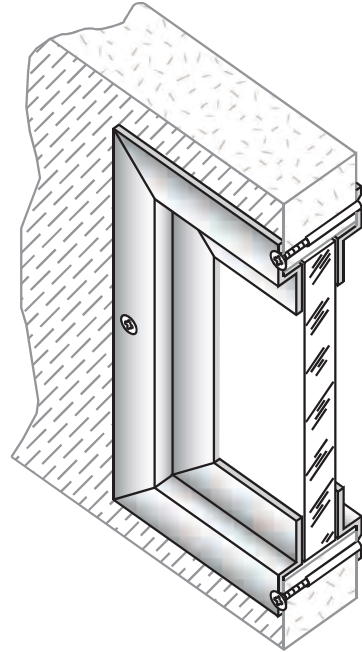
- ▶ Powder Coat Color Options - See Page L3
- ▶ Torx Security Thru-Bolts
- ▶ Zinc Electro-Plating
- ▶ Glass & Glazing Tape - See Glass Section
- ▶ Stainless Steel Type 304, #4 Finish - Specify SG-10-SS
- ▶ Stainless Steel Type 316, #4 Finish - Specify SG-10-316SS

Ballistic Rated

UL752 Level III as part of Ballistic Door Assemblies

Impact Ratings

Tested in Compliance with ASTM F-1450



Not To Scale

Designed for Use on Doors Manufactured Within Door Industry Tolerance of +/- 1/16".

FOR 3/4" AND THICKER DOORS

- 12 Ga. Cold Rolled Steel Channel Frame and Sliding Door with Formed Pull Handle
- Mitered and Welded Corners
- Counter-Sunk Mounting Screw-Holes
- #8 x 3/4" One Way Vandal Resistant Security Screws
- Gray Primer (GPZ) Powder Coat Finish

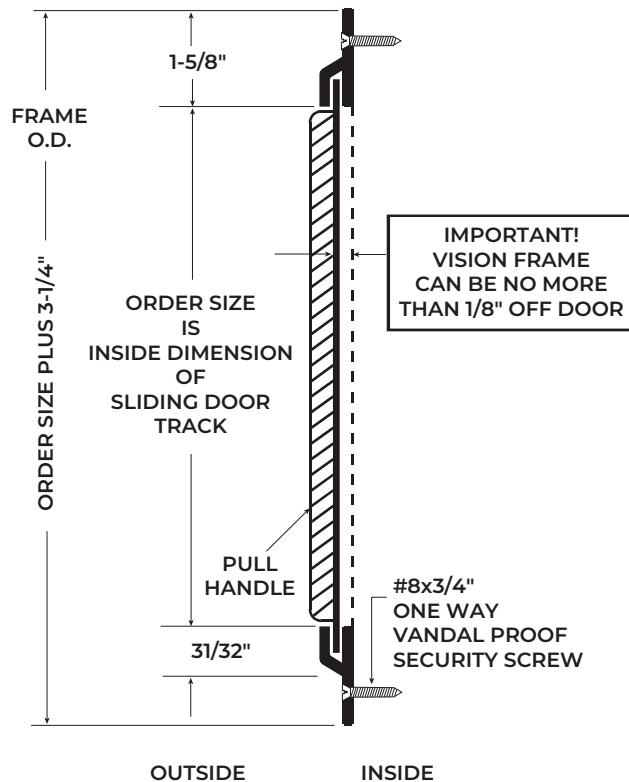
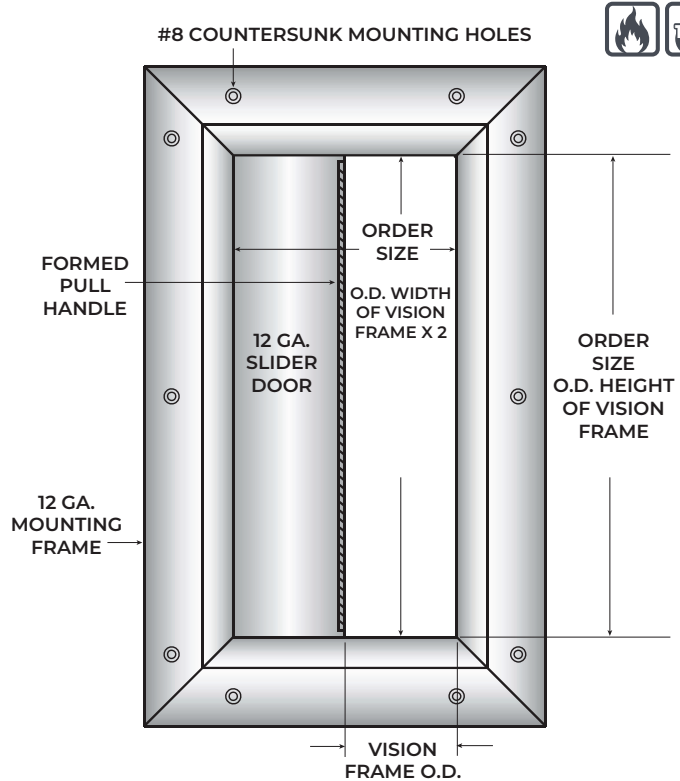
Order Size:

Width = Outside Dimension of Vision Frame x 2

Height = Outside Dimension of Vision Frame

Available Options

- Powder Coat Color Options - See Page L3
- Torx Security Screws
- Zinc Electro-Plating
- Stainless Steel Type 304, #4 Finish – Specify SSD-SS
- Stainless Steel Type 316, #4 Finish – Specify SSD-316SS



Not To Scale

Designed for Use on Doors Manufactured Within Door Industry Tolerance of +/- 1/16".

LO-PRO-SSD

LOW PROFILE LITE KIT WITH SECURITY SLIDING DOOR

FOR 1 3/4" THICK DOORS AND 3/16" OR 1/4" GLASS

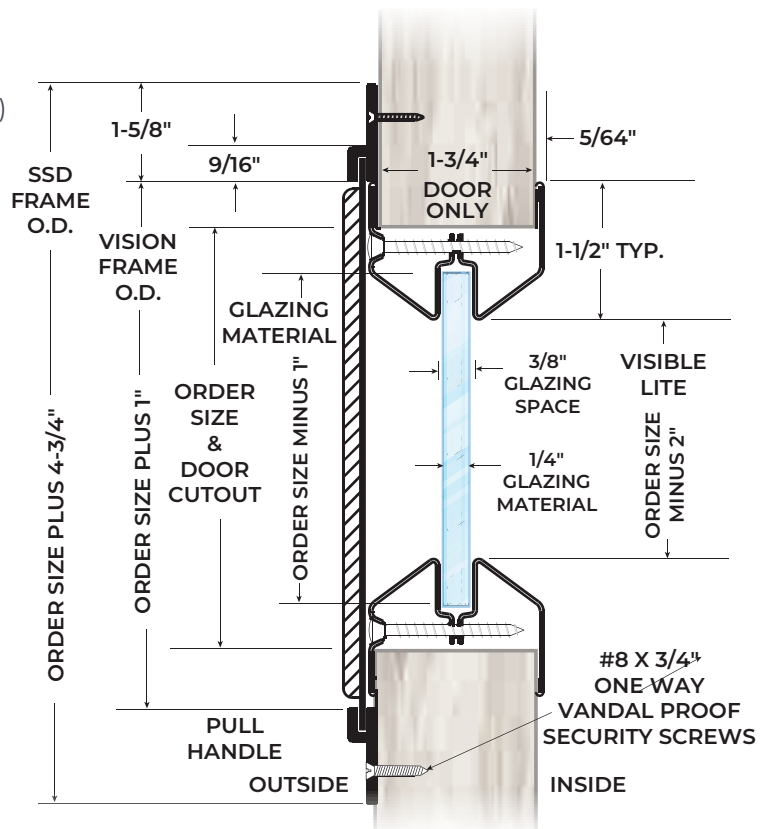
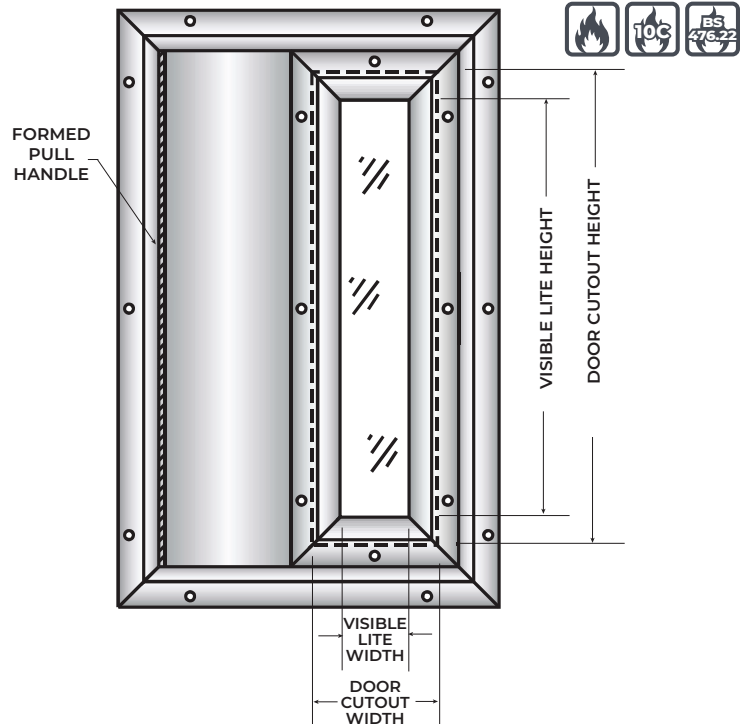
- 20 Ga. Cold Rolled Steel Lo-Pro Kit
- 12 Ga. Cold Rolled Steel SSD Channel Frame and Sliding Door with Formed Pull Handle
- Mitered and Welded Corners
- Counter-Sunk Mounting Screw-Holes
- Lo-Pro Kit: #8 x 1 3/4" One Way Vandal Resistant Security Screws
SSD: #8 x 3/4" One Way Vandal Resistant Security Screws
- Gray Primer (GPZ) Powder Coat Finish

Required Information:

Order Size = Door Cut-Out Size

Available Options

- Powder Coat Color Options - See Page L3
- Galvanneal A40 Steel (Lo-Pro Portion Only)
- Zinc Electro-Plating (SSD Zinc-EL Only)



Not To Scale

Designed for Use on Doors Manufactured Within Door Industry Tolerance of +/- 1/16".

SG-10-SSD

THRU - BOLTED SECURITY LITE KIT WITH SECURITY SLIDING DOOR

FOR 1 3/4" UP TO 2 1/4" THICK DOORS AND 3/16" UP TO 1 9/16" GLASS

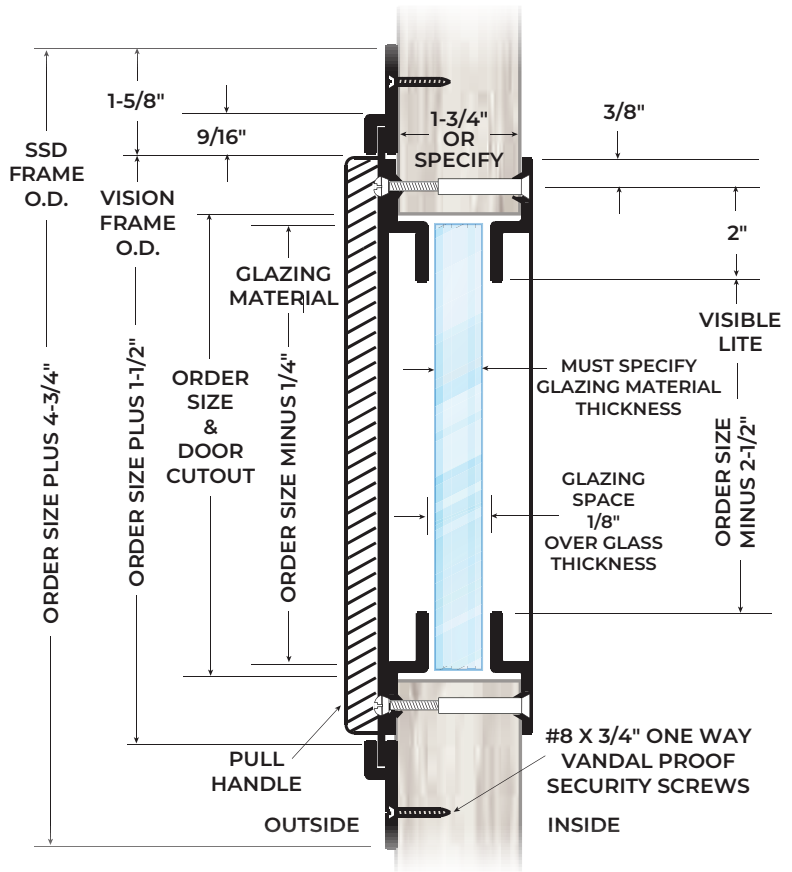
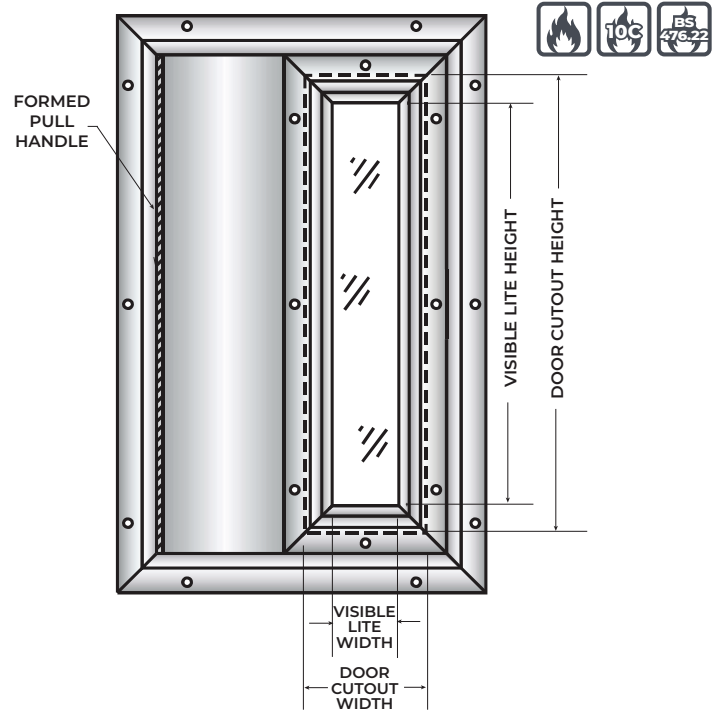
- 10 Ga. Cold Rolled Steel SG-10 Kit for Glass up to 1" Thick
- 12 Ga. Cold Rolled Steel SG-10 Kit for Glass Over 1" Thick
- 12 Ga. Cold Rolled Steel SSD Channel Frame and Sliding Door with Formed Pull Handle
- Mitered and Welded Corners
- Counter-Sunk Mounting Screw-Holes
- SG-10 Kit: #8-32 One Way Vandal Resistant Security Screw Thru-Bolts
SSD: #8 x 3/4" One Way Vandal Resistant Security Screws
- Gray Primer (GPZ) Powder Coat Finish

Required Information:

Specify Door Thickness if Other Than 1 3/4"
Specify Glass Thickness
Order Size = Door Cut-Out Size

Available Options

- Powder Coat Color Options - See Page L3
- Torx Security Thru-Bolts
- Zinc Electro-Plating
- Stainless Steel Type 304, #4 finish - Specify SG-10-SSD-SS
- Stainless Steel Type 316, #4 finish - Specify SG-10-SSD-316SS



Not To Scale

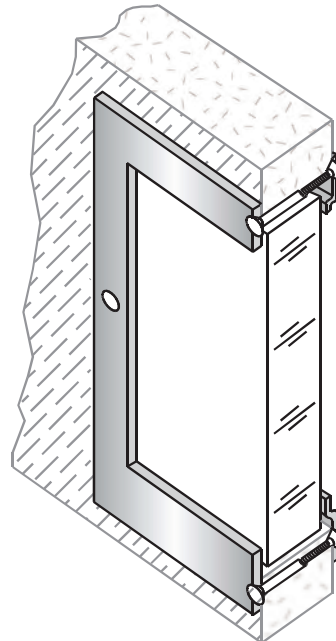
Designed for Use on Doors Manufactured Within Door Industry Tolerance of +/- 1/16".

BR-7

THRU - BOLTED SECURITY LITE KIT

FOR 1 3/4" UP TO 2 1/4" THICK DOORS AND 3/16" UP TO 1 9/16" GLASS

- 7 Ga. Cold Rolled Steel Face Plate Outer Frame
- 10 Ga. Cold Rolled Steel SG-10 Inside Frame for Glass up to 1" Thick
- 12 Ga. Cold Rolled Steel SG-10 Inside Frame for Glass Over 1" Thick
- Mitered and Welded Corners
- Counter-Sunk Mounting Screw-Holes
- #8-32 One Way Vandal Resistant Security Screw Thru-Bolts
- Gray Primer (GPZ) Powder Coat Finish



Required Information:

Specify Door Thickness if Other Than 1 3/4"

Specify Glass Thickness

Available Options

- Powder Coat Color Options - See Page L3
- Torx Security Thru-Bolts
- Zinc Electro-Plating
- Stainless Steel Type 304, #4 Finish – Specify BR-7-SS
- Stainless Steel Type 316, #4 Finish – Specify BR-7-316SS

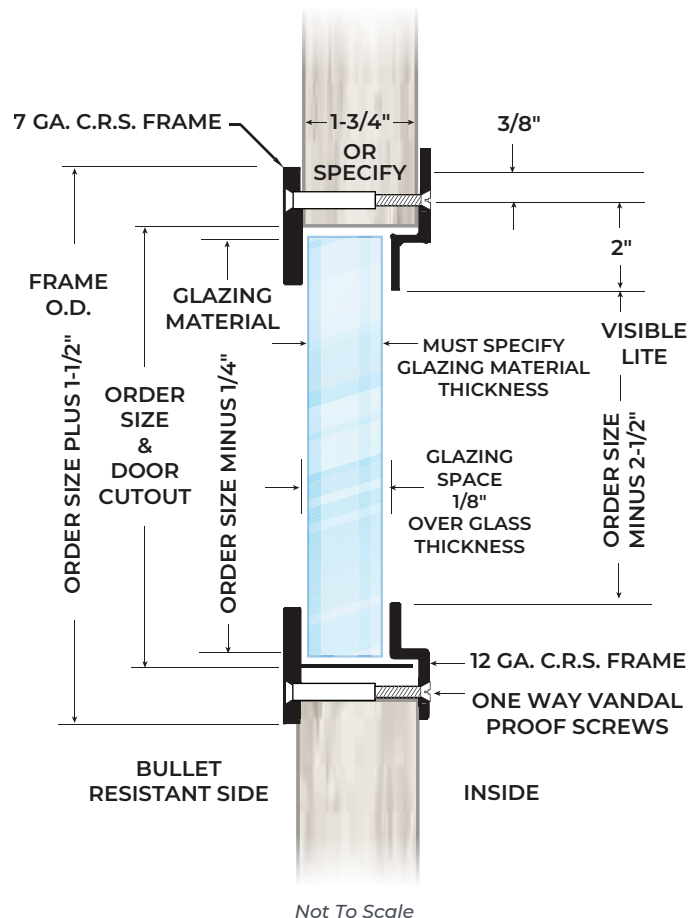
Ballistic Rated

UL752 Level III as part of Ballistic

Door Assemblies

Impact Ratings

Tested in Compliance with ASTM F-1450



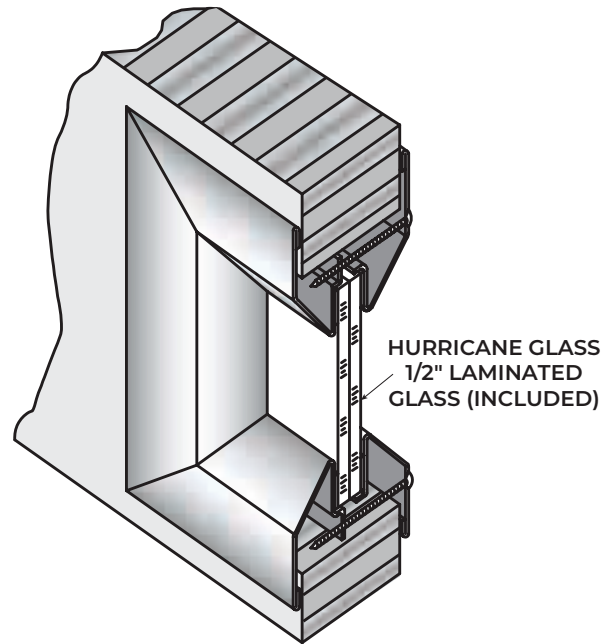
Designed for Use on Doors Manufactured Within Door Industry Tolerance of +/- 1/16".

STORM-PRO-HR

LOW-PROFILE HURRICANE RATED LITE KIT

FOR 1 3/4" DOORS

- ▶ 18 Ga. Galvanized Steel
- ▶ Mitered and Welded Corners
- ▶ Counter-Sunk Mounting Screw-Holes
- ▶ #8 X 1 3/4" Phillips Head SMS
- ▶ Maximum Order Size: 36' X 72"
- ▶ Available in Uneven and Fractional Sizes
- ▶ Gray Primer (GPZ) Powder Coat Finish
- ▶ 1/2" Laminated Glass: 2 pcs. 3/16" Clear Glass with Clear Bonded Laminate Center
- ▶ 5/8" x .090" Acrylic Conformable Foam Glazing Tape (Both Sides)



Available Options

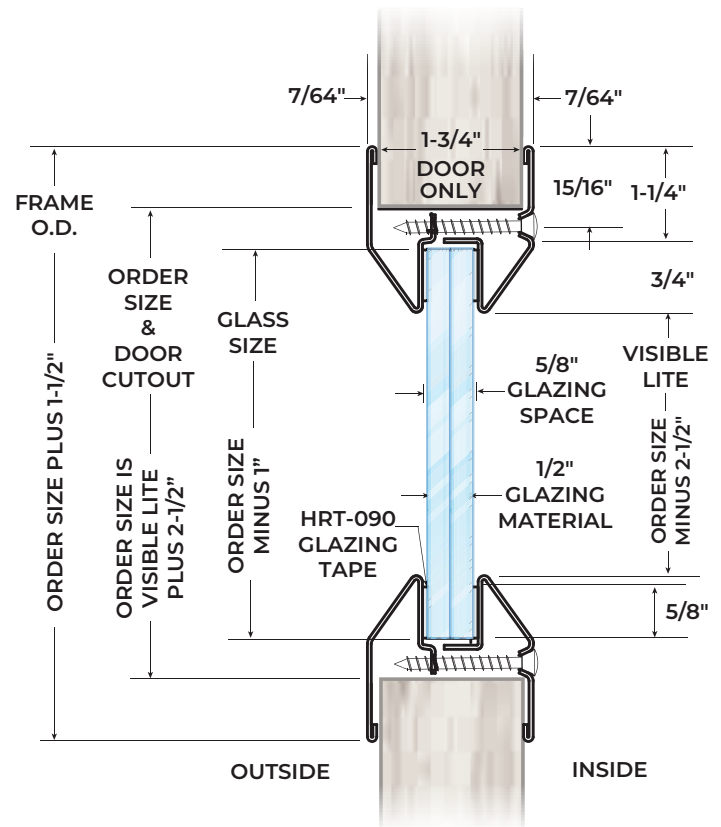
- ▶ Powder Coat Color Options - See Page L3
- ▶ Torx Security Screws
- ▶ Zinc Electro-Plating
- ▶ Stainless Steel Type 304, #4 finish – Specify STORM-PRO-HR-SS
- ▶ Stainless Steel Type 316, #4 finish – Specify STORM-PRO-HR-316SS

Windstorm Rated

- ▶ Successfully Tested in Accordance with ASTM E1886, E1996 AND E330 and ANSI 250, 13-Impact 350 ft. lbs. (Large Missile Test)
Design Pressure: +/- 70 PSF

UL Certification Mark on Product for Use in Windstorm-Rated Assemblies

This Product is not Rated for Use on Fire-Rated Doors



Not To Scale

Designed for Use on Doors Manufactured Within Door Industry Tolerance of +/- 1/16\".

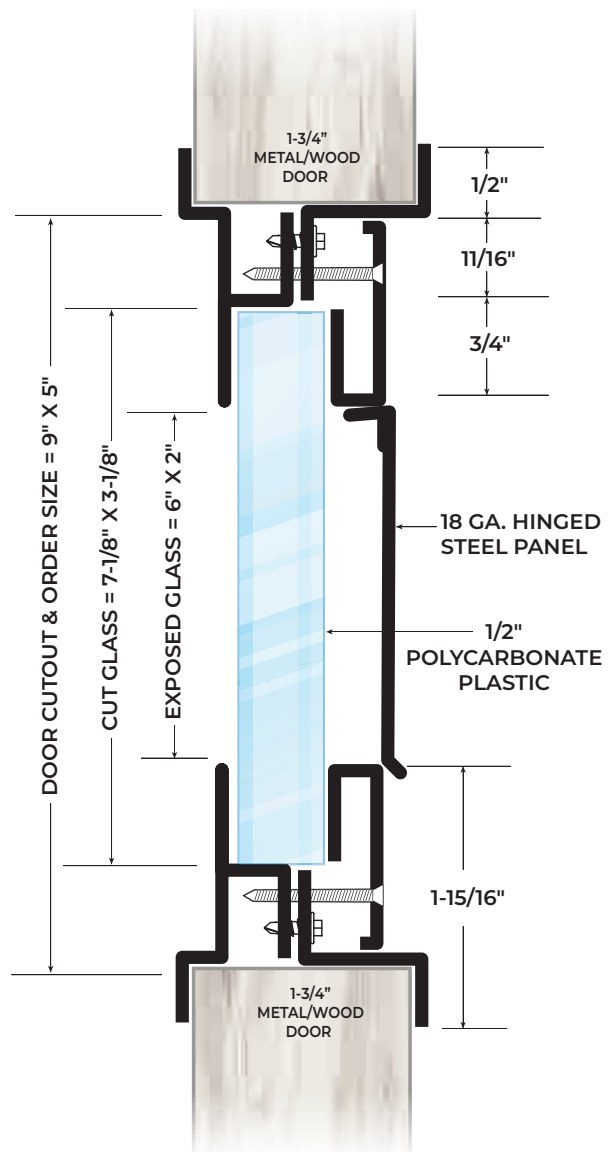
L-VGLF-WD

SECURITY LITE KIT - 9" X 5"

- ▶ 18 Ga. Cold Rolled Steel
- ▶ Mitered and Welded Corners
- ▶ For 1 $\frac{3}{4}$ " Hollow Metal or Wood Doors
- ▶ $\frac{1}{2}$ " Thick High Impact Polycarbonate Plastic
- ▶ 18 Ga. Steel Hinged Panel
- ▶ No Exposed Fasteners on Outside of Door
- ▶ Low-Profile Frame
- ▶ 6" X 2" Exposed Glass Size
- ▶ #8 X 1" Oval Head Tek Screws
- ▶ 2.8 Oz. Silicone Sealant Included
- ▶ Gray Primer (GPZ) Powder Coat Finish

Available Options

- ▶ Powder Coat Color Options - See Page L3
- ▶ Torx Security Screws
- ▶ Zinc Electro-Plating



Not To Scale

Designed for Use on 1 $\frac{3}{4}$ " Thick Doors Manufactured Within Door Industry Tolerance of +/- $\frac{1}{16}$ ".

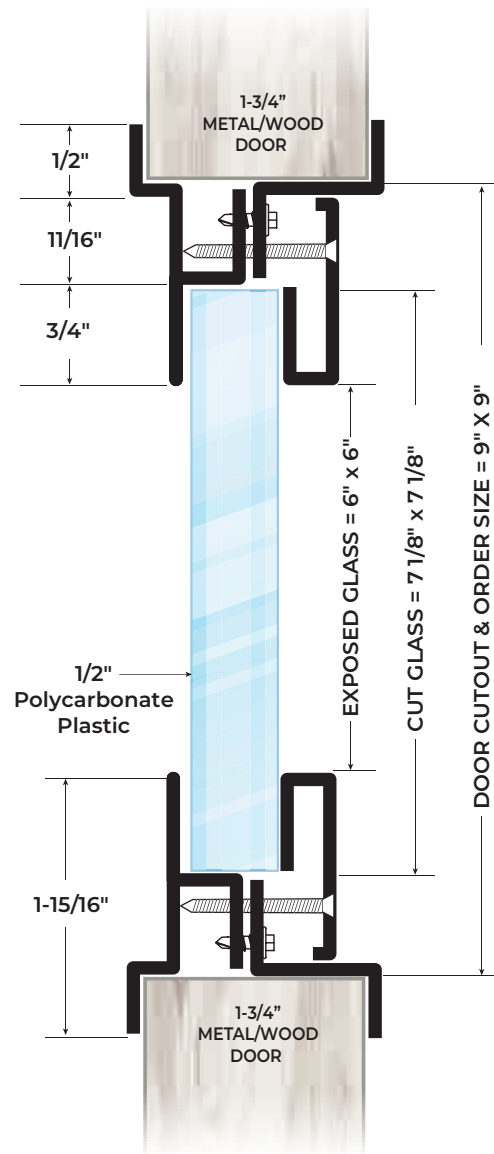
L-VGLF-PZ

SECURITY LITE KIT - 9" X 9"

- ▶ 18 Ga. Cold Rolled Steel
- ▶ Mitered and Welded Corners
- ▶ For 1 $\frac{3}{4}$ " Hollow Metal or Wood Doors
- ▶ $\frac{1}{2}$ " Thick High Impact Polycarbonate Plastic
- ▶ No Exposed Fasteners on Outside of Door
- ▶ Low-Profile Frame
- ▶ 6" X 6" Exposed Glass Size
- ▶ #8 X 1" Oval Head Tek Screws
- ▶ 2.8 Oz. Silicone Sealant Included
- ▶ Gray Primer (GPZ) Powder Coat Finish

Available Options

- ▶ Powder Coat Color Options - See Page L3
- ▶ Torx Security Screws
- ▶ Zinc Electro-Plating



Not To Scale

Designed for Use on 1 $\frac{3}{4}$ " Thick Doors Manufactured Within Door Industry Tolerance of +/- $\frac{1}{16}$ ".

L-VGLF-MD, L-VGLF-MDL

SECURITY LITE KIT

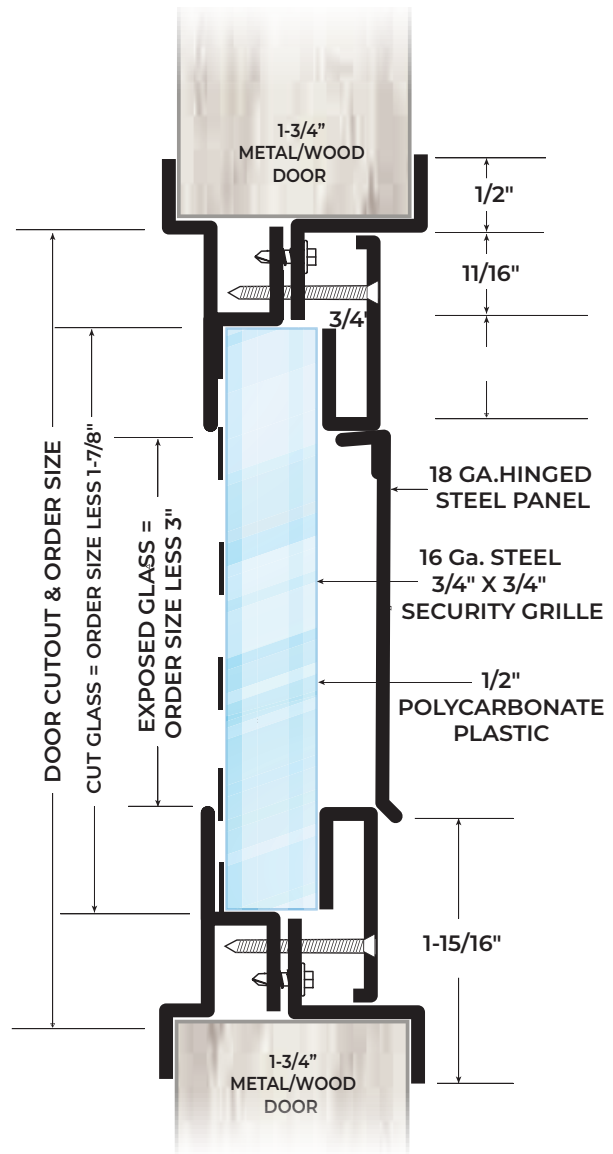
L-VGLF-MD (9" X 9")

L-VGLF-MDL (12" X 12")

- 18 Ga. Cold Rolled Steel
- Mitered and Welded Corners
- For 1 $\frac{3}{4}$ " Hollow Metal or Wood Doors
- $\frac{1}{2}$ " Thick High Impact Polycarbonate Plastic
- 16 Ga. Steel $\frac{3}{4}$ " x $\frac{3}{4}$ " Security Grille
- 18 Ga. Steel Hinged Panel
- No Exposed Fasteners on Outside of Door
- Low-Profile Frame
- 6" X 6" Exposed Glass Size on L-VGLF-MD
- 9" X 9" Exposed Glass Size on L-VGLF-MDL
- #8 X 1" Oval Head Tek Screws
- 2.8 Oz. Silicone Sealant Included
- Gray Primer (GPZ) Powder Coat Finish

Available Options

- Powder Coat Color Options - See Page L3
- Torx Security Screws
- Zinc Electro-Plating



Not To Scale

Designed for Use on 1 $\frac{3}{4}$ " Thick Doors Manufactured Within Door Industry Tolerance of $\pm \frac{1}{16}$ ".

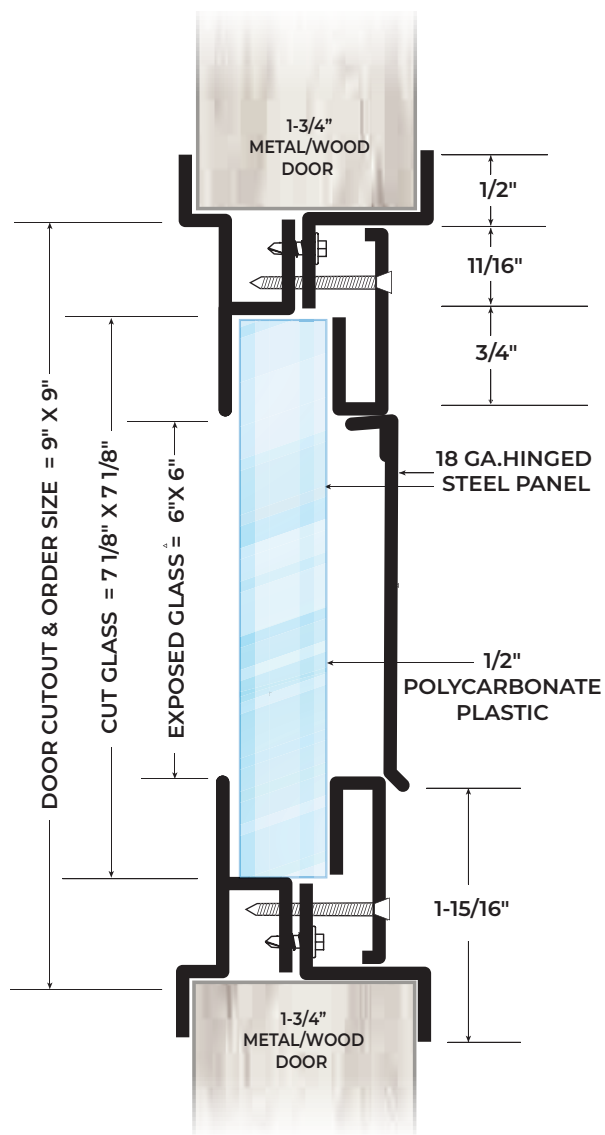
L-VGLF-OG

SECURITY LITE KIT - 9" X 9"

- ▶ 18 Ga. Cold Rolled Steel
- ▶ Mitered and Welded Corners
- ▶ For 1 $\frac{3}{4}$ " Hollow Metal or Wood Doors
- ▶ $\frac{1}{2}$ " Thick High Impact Polycarbonate Plastic
- ▶ 18 Ga. Steel Hinged Panel
- ▶ No Exposed Fasteners on Outside of Door
- ▶ Low-Profile Frame
- ▶ 6" X 6" Exposed Glass Size
- ▶ #8 X 1" Oval Head Tek Screws
- ▶ 2.8 Oz. Silicone Sealant Included
- ▶ Gray Primer (GPZ) Powder Coat Finish

Available Options

- ▶ Powder Coat Color Options - See Page L3
- ▶ Torx Security Screws
- ▶ Zinc Electro-Plating



Not To Scale

Designed for Use on 1 $\frac{3}{4}$ " Thick Doors Manufactured Within Door Industry Tolerance of $\pm \frac{1}{16}$ ".

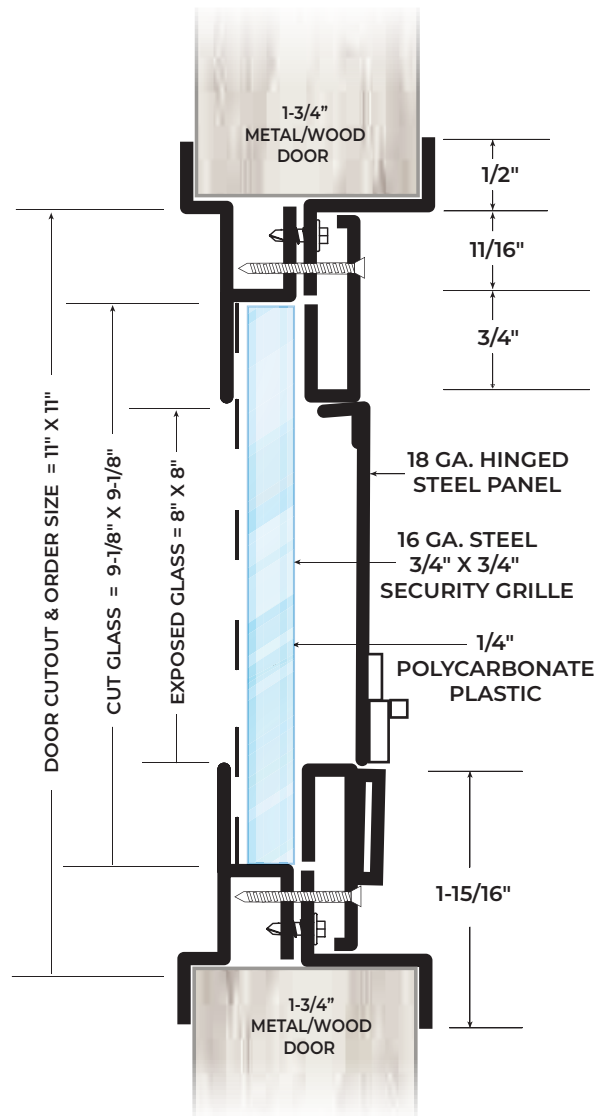
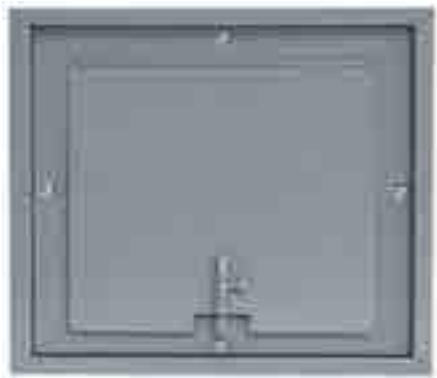
L-VGLF-SF

SECURITY LITE KIT – 11" X 11"

- ▶ 18 Ga. Cold Rolled Steel
- ▶ Mitered and Welded Corners
- ▶ For 1 $\frac{3}{4}$ " Hollow Metal or Wood Doors
- ▶ $\frac{1}{4}$ " Thick High Impact Polycarbonate Plastic
- ▶ 16 Ga. Steel $\frac{3}{4}$ " x $\frac{3}{4}$ " Security Grille
- ▶ 18 Ga. Steel Hinged Panel With Bolt Latch
- ▶ No Exposed Fasteners on Outside of Door
- ▶ Low-Profile Frame
- ▶ 8" X 8" Exposed Glass Size
- ▶ #8 X $\frac{3}{4}$ " Oval Head Tek Screws
- ▶ 2.8 Oz. Silicone Sealant Included
- ▶ Gray Primer (GPZ) Powder Coat Finish

Available Options

- ▶ Powder Coat Color Options - See Page L3
- ▶ Torx Security Screws
- ▶ Zinc Electro-Plating



Not To Scale

Designed for Use on 1 $\frac{3}{4}$ " Thick Doors Manufactured Within Door Industry Tolerance of +/- $\frac{1}{16}$ ".

L-FRA-100-RD

ROUND LITE KIT

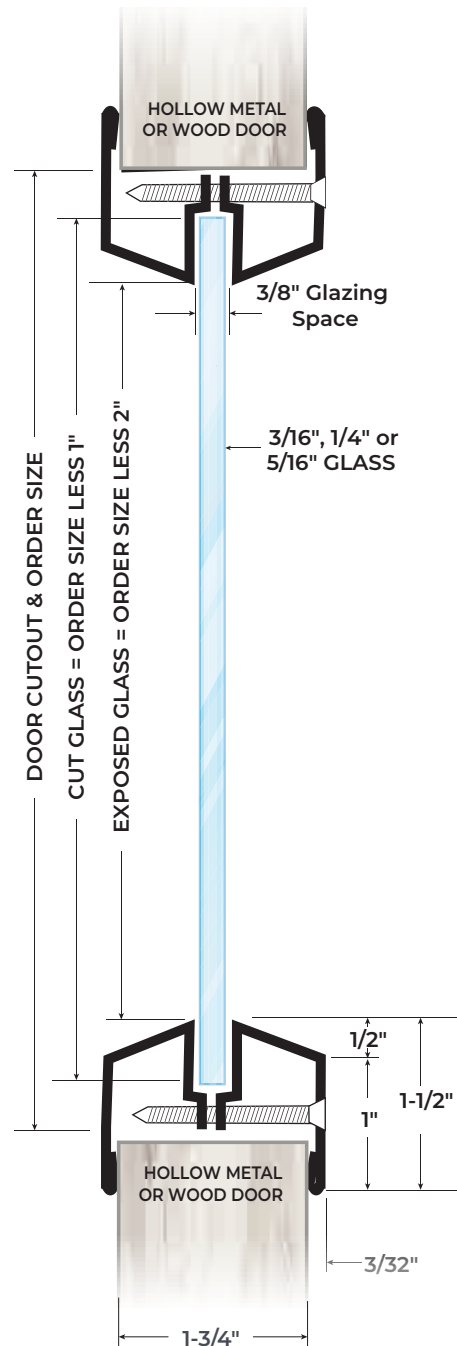


**FOR 1 3/4" THICK DOORS AND 3/16",
1/4", OR 5/16" GLASS**

- 18 Ga. Cold Rolled Steel
- Countersunk Mounting Screw-Holes
- #8 X 1 3/4" Phillips Head SMS
- Gray Primer

Available Options

- Powder Coat Color Options - See Page L3
- Torx Security Screws
- Zinc Electro-Plating
- Glass & Glazing Tape - See Glass Section
- Available in 12", 18" and 24" sizes only



Not To Scale

Designed for Use on 1 3/4" Thick Doors Manufactured
Within Door Industry Tolerance of +/- 1/16".

LO-FP

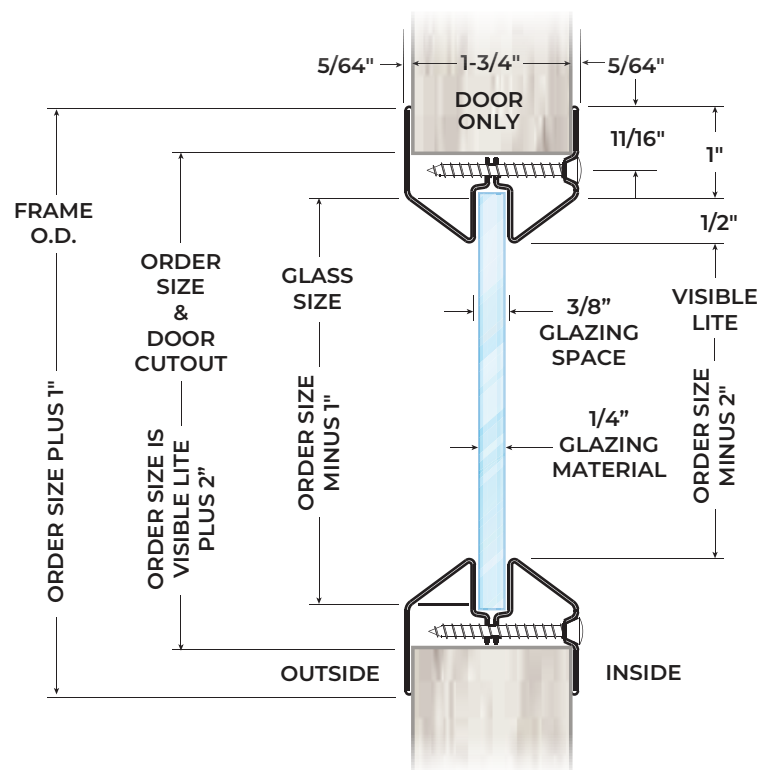
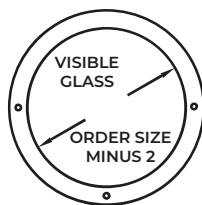
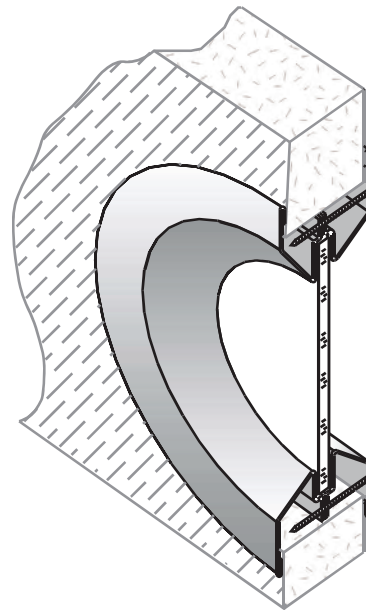
ROUND LITE KIT

FOR 1 3/4" THICK DOORS AND 3/16", 1/4", OR 5/16" GLASS

- 20 Ga. Galvanized Steel
- Countersunk Mounting Screw-Holes
- #8 X 1 3/4" Phillips Head SMS
- Gray Primer

Available Options

- Powder Coat Color Options - See Page L3
- Stainless Steel Type 304, #4 Finish - Specify LO-FP-SS
- Torx Security Screws
- Zinc Electro-Plating
- Glass & Glazing Tape - See Glass Section
- Available in 12", 18" only



Not To Scale

Designed for Use on 1 3/4" Thick Doors Manufactured Within Door Industry Tolerance of +/- 1/16\".

LO-FP-IS

ROUND LITE KIT

FOR VARIABLE DOOR AND/OR GLASS THICKNESS

- 20 Ga. Galvanized Steel
- Countersunk Mounting Screw-Holes
- #8 X 1 $\frac{3}{4}$ " Phillips Head SMS
- Gray Primer

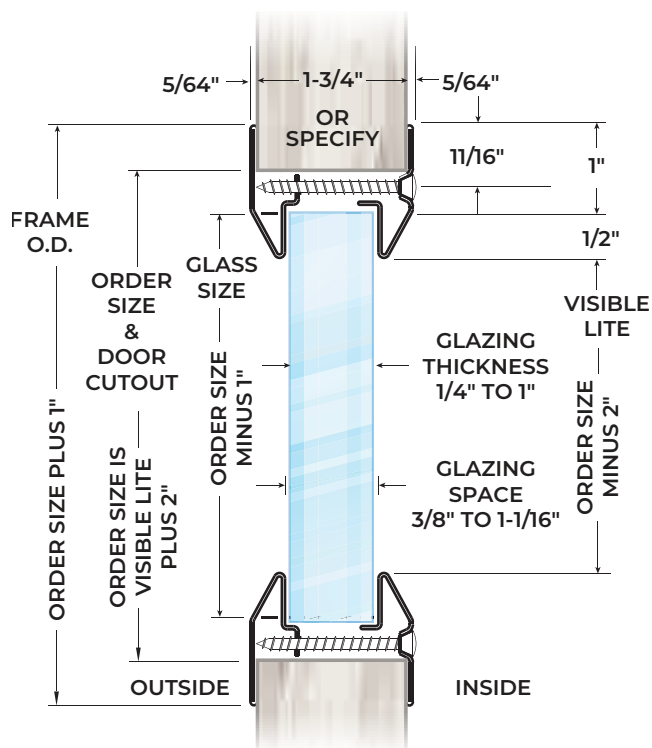
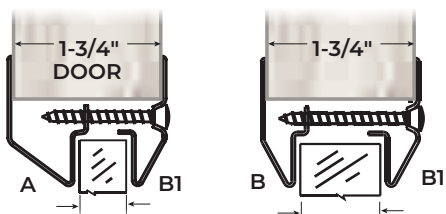
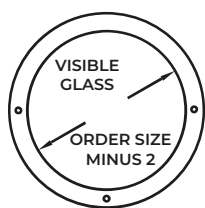
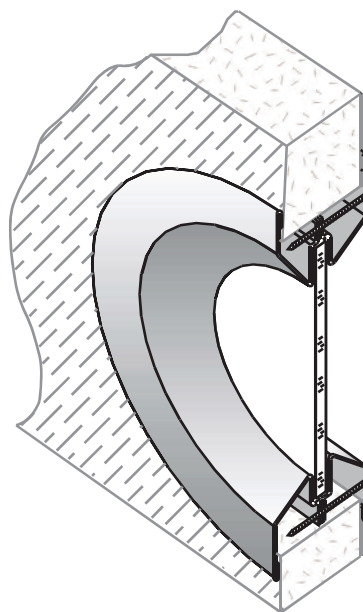
Required Information

- Specify Glass Thickness on Order
- Specify Door Thickness on Order if Other Than 1 $\frac{3}{4}$ "

See page L12 for possible door and glass thickness combinations

Available Options

- Powder Coat Color Options - See Page L3
- Stainless Steel Type 304, #4 Finish - Specify LO-FP-IS-SS
- Torx Security Screws
- Zinc Electro-Plating
- Glass & Glazing Tape - See Glass Section
- Available in 12", 18" only



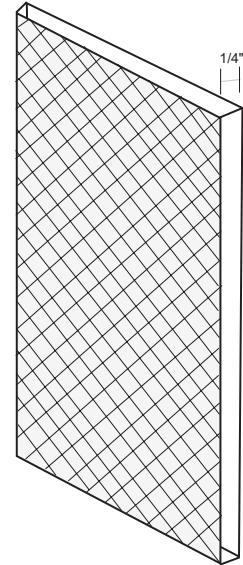
Not To Scale

Designed for Use on 1 $\frac{3}{4}$ " Thick Doors Manufactured Within Door Industry Tolerance of +/- $\frac{1}{16}$ ".

PROTECT3™

FIRE-PROTECTIVE SAFETY-WIRED GLASS

- ▶ ¼" (6mm) Thick
- ▶ Fits Standard L-FRA100 and L-GLF100 Lite Kits
- ▶ ¾" X ¾" Diamond Pattern Electrically Welded Steel Wire Mesh
- ▶ Heavy-Duty Fire-Rated and Impact-Safety Rated Film
- ▶ Maintains Integrity When Fractured or Subjected to a Hose Stream
- ▶ Etched With UL Classification on Each Piece
- ▶ Weight: 3.6 Lbs./Sq. Ft.
- ▶ STC 28 Rating



Fire-Rating Information:

- ▶ Certified by UL to ANSI/UL 9, ANSI/UL10B, ANSI/UL10C, CAN/ULC-S104, ULC CAN4-S106 With Closed Cell PVC Foam Glazing Tape Like NGP L-GT-116, L-GT-118, L-GT-132 or L-GT-316

Rating	Application	Max. Visible Glass Area (Sq. Inches)	Max. Width Visible Glass	Max. Height Visible Glass
20, 45 Minute	Doors*, Borrowed Lites	1,296	54"	54"
60, 90 Minute	Doors*	100	12"	33"

With Fire-Rated Glass Lite Kit

Impact Safety Rating Information:

Meets ANSI Z97.1, Class A

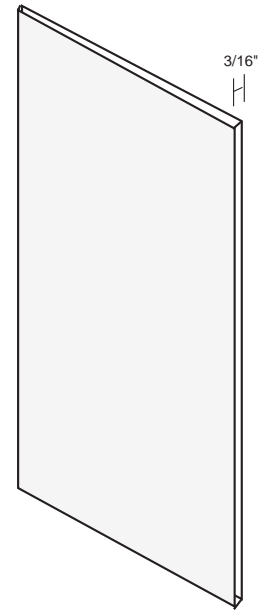
Meets CPSC 16CFR 1201 (Category I and II)

Complies With IBC Requirements for Use in Doors, Side-Lites, Transom Lites and Borrowed Lites.

PYRAN® PLATINUM F

FIRE-PROTECTIVE SAFETY GLASS CERAMIC

- ▶ 3/16" (5mm) Thick Glass Ceramic
- ▶ Heavy-Duty 7 Mil Durable Safety Film
- ▶ Neutral Coloration - Clear and Wireless
- ▶ Advanced Manufacturing Process Eliminates the Need for Surface Polishing
- ▶ Etched With UL Classification on Each Piece
- ▶ 10-Year Manufacturer Warranty
- ▶ Weight: 2.5 Lbs./Sq. Ft.
- ▶ STC 31 Rating



Fire-Rating Information:

- ▶ Certified by UL to ANSI/UL 9, ANSI/UL10B, ANSI/UL10C, CAN/ULC-S104, ULC CAN4-S106 With Closed Cell PVC Foam Glazing Tape Like NGP L-GT-116, L-GT-118, or L-GT-132
- ▶ IBC Applicable Edition May Limit Maximum Size Allowable

Rating	Application	Max. Visible Glass Area (Sq. Inches)	Max. Width Visible Glass	Max. Height Visible Glass
20, 45, 60, 90 Minute	Doors* (Non-Temp Rise)	3,708	37 3/4"	98 1/4"
20, 45, 60, 90 Minute	Side-Lites, Borrowed Lites, Transom Lites	4,933	98 1/4"	98 1/4"
180 Minutes	Doors* Including Temp-Rise	100	12"	33"

With Fire-Rated Glass Lite Kit

Impact Safety Rating Information:

Meets ANSI Z97.1, Class A

Meets CPSC 16CFR 1201 (Category I and II)

Complies With IBC Requirements for Use in Doors, Side-Lites, Transom Lites and Borrowed Lites.

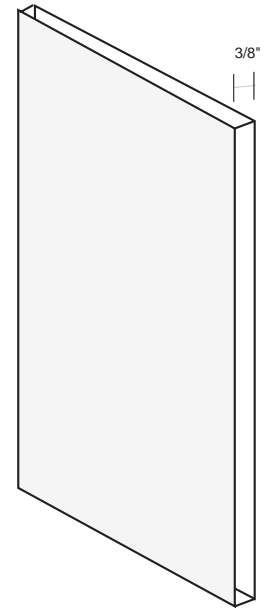
PYRAN[®] PLATINUM L

FIRE-PROTECTIVE SAFETY GLASS CERAMIC

- ▶ 3/8" (5mm) Thick Laminated Glass Ceramic
- ▶ Neutral Coloration - Clear and Wireless
- ▶ Advanced Manufacturing Process Eliminates the Need for Surface Polishing
- ▶ Etched With UL Classification on Each Piece
- ▶ 5-Year Manufacturer Warranty
- ▶ Weight: 4 Lbs./Sq. Ft.
- ▶ STC 36 Rating

Fire-Rating Information:

- ▶ Certified by UL to ANSI/UL 9, ANSI/UL10B, ANSI/UL10C, CAN/ULC-S104, ULC CAN4-S106 With Closed Cell PVC Foam Glazing Tape Like NGP L-GT-116, L-GT-118, or L-GT-132
- ▶ IBC Applicable Edition May Limit Maximum Size Allowable



Rating	Application	Max. Visible Glass Area (Sq. Inches)	Max. Width Visible Glass	Max. Height Visible Glass
20, 45, 60, 90 Minute	Doors* (Non-Temp Rise)	2,736	36"	75"
20, 45, 60, 90 Minute	Side-Lites, Borrowed Lites, Transom Lites	3,143	75"	75"
180 Minutes	Doors* Including Temp-Rise	100	12"	33"

With Fire-Rated Glass Lite Kit

Impact Safety Rating Information:

Meets ANSI Z97.1, Class A

Meets CPSC 16CFR 1201 (Category I and II)

Complies With IBC Requirements for Use in Doors, Side-Lites, Transom Lites and Borrowed Lites.

TEMP20™

20-MINUTE FIRE-PROTECTIVE GLASS

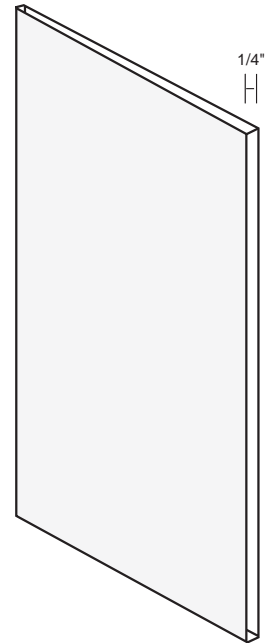
- ▶ ¼" Thick Tempered Fire-Rated Glass
- ▶ Superior Optical Clarity – Clear and Wireless
- ▶ Economical Fire and Safety Rated Glass
- ▶ Etched With Fire and Impact Safety Classification on Each Piece
- ▶ Manufactured in USA
- ▶ Weight: 3 Lbs./Sq. Ft.
- ▶ STC 28 Rating

Options:

- ▶ Available in Insulated Glass Units

Fire-Rating Information:

- ▶ Certified by UL to ANSI/UL 9, ANSI/UL10B, ANSI/UL10C, CAN/ULC-S104, ULC CAN4-S106 With Closed Cell PVC Foam Glazing Tape Like NGP L-GT-116, L-GT-118, L-GT-132, or L-GT-316.



Rating	Application	Max. Visible Glass Area (Sq. Inches)	Max. Width Visible Glass	Max. Height Visible Glass
20 Minute No Hose Stream	Doors*	3,204	35 ¾"	88 ¾"

With Fire-Rated Glass Lite Kit

Impact Safety Rating Information:

Meets ANSI Z97.1, Class A

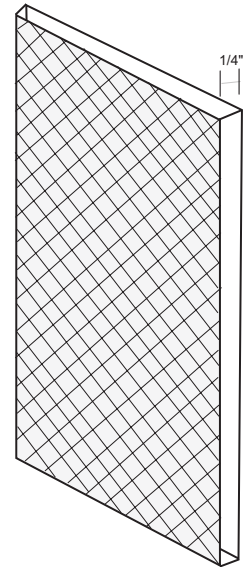
Meets CPSC 16CFR 1201 (Category I and II)

Complies With IBC Requirements for Use in Doors

- ▶ This Glass is Cut to Size Then Heat Treated (Tempered) to Achieve Its Safety Rating Properties
- ▶ Orders for this Product are Non-Changeable and Non-Cancellable

FIRE PROTECTIVE WIRED GLASS

- ▶ ¼" (7mm) Thick
- ▶ ¾" X ¾" Diamond Pattern Electrically Welded Steel Wire Mesh
- ▶ Clear Glass - Ground and Polished Both Sides
- ▶ Maintains Integrity When Fractured or Subjected to a Hose Stream
- ▶ Etched With UL Classification on Each Piece
- ▶ Weight: 3 Lbs./Sq. Ft.
- ▶ STC 28 Rating



Fire-Rating Information:

- ▶ Certified by UL to ANSI/UL10C: 20 min. With Closed Cell PVC Foam Glazing Tape Like NGP L-GT-116, L-GT-118, or L-GT-132
45, 60 & 90 Min. With NGP 9800C Intumescent Glazing Tape
- ▶ Certified by UL to ANSI/UL9 With Closed Cell PVC Glazing Tape Like NGP L-GT-116, L-GT-118, L-GT-132

Rating	Max. Visible Glass Area (Sq. Inches)	Max. Width Visible Glass	Max. Height Visible Glass
20, 45 Minute	1,296	54"	54"
60, 90 Minute	100	12"	33"

With Fire-Rated Glass Lite Kit

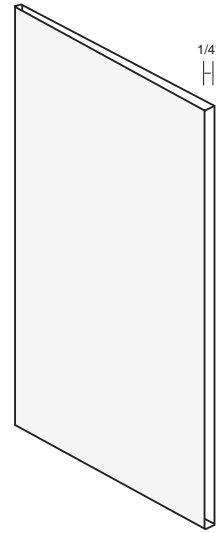
Impact Safety Rating Information:

Meets ANSI Z97.1, Class C

Does **NOT** Comply With IBC 2006 or Newer Requirements for Use in Doors or Sidelights. Allowed Only in Non-Hazardous Locations Defined in IBC

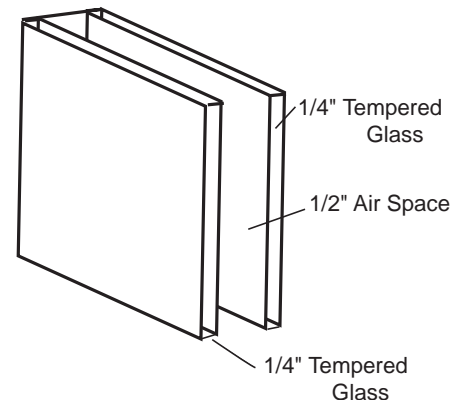
TEMPERED GLASS

- ▶ Impact Safety-Rated: Complies With IBC Requirements for Use in Doors. Meets ANSI Z97.1 Class A and CPSC 16CFR 1201 (CAT I and II)
- ▶ ¼" Thick Clear Heat Treated Glass
- ▶ Approximately 4 Times Stronger Than Annealed (Ordinary) Glass
- ▶ Breaks Into Small Harmless Fragments
- ▶ Can NOT Be Cut After Manufacturing
- ▶ 11" Minimum Height
- ▶ Manufactured in USA
- ▶ NOT Fire-Rated
- ▶ STC 31 Rating



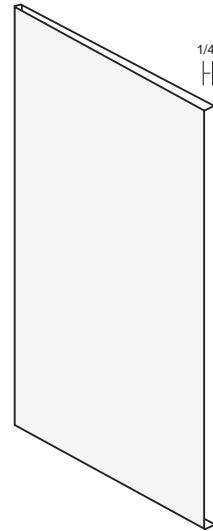
INSULATED TEMPERED GLASS

- ▶ Impact Safety-Rated: Complies With IBC Requirements for Use in Doors. Meets ANSI Z97.1 Class A and CPSC 16CFR 1201 (CAT I and II)
- ▶ 1" Thick - Consists of Two Pieces of ¼" Thick Clear Tempered Glass With ½" Air Space Between and Butyl Seal
- ▶ Increased Energy Efficiency
- ▶ Approximately 4 Times Stronger Than Annealed (Ordinary) Glass
- ▶ Breaks Into Small Harmless Fragments
- ▶ Can NOT Be Cut After Manufacturing
- ▶ Manufactured in USA
- ▶ 5-Year Manufacturer Warranty
- ▶ NOT Fire-Rated
- ▶ STC 35 Rating



LAMINATED GLASS

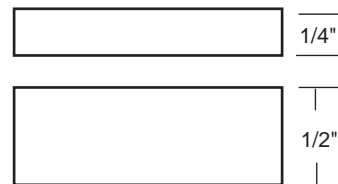
- ▶ Impact Safety-Rated: Complies With IBC Requirements for Use in Doors. Meets ANSI Z97.1 Class A and CPSC 16CFR 1201 (CAT I and II)
- ▶ 1/4" Thick Laminated Architectural Glass
- ▶ Comprised of Two Plies of Glass and a .030" PVB Interlayer
- ▶ Manufactured in USA
- ▶ NON Fire-Rated
- ▶ STC 35 Rating



POLYCARBONATE HIGH IMPACT

- ▶ Impact Safety-Rated: Complies With IBC Requirements for Use in Doors. Meets ANSI Z97.1 Class A and CPSC 16CFR 1201 (CAT I and II)
- ▶ Burglary-Resisting Material. Meets UL Standard 972
- ▶ Available in 1/4", 1/2" Thicknesses (Specify on Order)
- ▶ Colorless Transparent Sheet
- ▶ Virtually Unbreakable - 300 Times Stronger Than Ordinary Glass
- ▶ Unlikely to Shatter or Chip When Bombarded With Thrown Rocks, Bricks or Bottles.
- ▶ UV Stabilized to Resist Solar Exposure
- ▶ Manufactured in USA
- ▶ 5-Year Manufacturer Warranty
- ▶ NOT Fire-Rated
- ▶ Acoustical Ratings: 1/4" = STC 29
1/2" = STC 34

Thicknesses Available



GLAZING TAPE

CLOSED CELL PVC FOAM

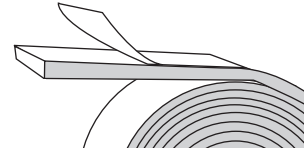
L-GT-114 – 3/8" Wide x 1/4" Thick - 50' Rolls

L-GT-116 – 3/8" Wide x 1/16" Thick - 200' Rolls

L-GT-118 – 3/8" Wide x 1/8" Thick - 100' Rolls

L-GT-132 – 3/8" Wide x 1/32" Thick - 200' Rolls

L-GT-316 – 3/8" Wide x 3/16" Thick - 50' Rolls



- Closed Cell PVC Foam Glazing Tape With Adhesive Both Sides
- Color Is Black
- For Use in Lite Kits on UL10C Positive Pressure Fire-Rated Wood Or Steel Doors
Rated Up To:
 - 20 Minutes With TEMP20™ or Fire Protective Wired Glass
 - 90 Minutes With Protect3™
 - 180 Minutes With Pyran® Platinum F or Pyran® Platinum L

INTUMESCENT

9800C 1/2" Wide x 1/16" Thick - 17', 21' and 150' Rolls

- Self-Adhesive Glazing Tape With Protective Skin
- Color is Black

BUTYL RUBBER

L-GT-16 3/8" Wide x 1/16" Thick - 50' Rolls

- Butyl Rubber Glazing Tape With Adhesive Both Sides
- Color is Black

L-MINI BLINDS 1" IGU

GLASS WITH INTEGRATED MINI BLINDS

Mini Blind Insulated Glass Units are for Lite Kit and Borrowed Lite Applications.

- ▶ Commercial Grade Hermetically Sealed Venetian Blind System Inside Insulating Glass Unit – 1" Thick
- ▶ Interior or Exterior Applications
- ▶ Clear Tempered Safety Glass Both Sides
- ▶ Magnetic Slider, Placed on the Right or Left-Hand Side of the Glass for Tilting, Lowering and Raising Functions
- ▶ Minimum Width 8⁵/₈", Maximum Width 80"
- ▶ Minimum Height 13", Maximum Height 80"
- ▶ Fits Low Profile L-FRA100-SP Lite Kit
- ▶ Standard Blind Color: White

Premium Blind Colors Available (additional charge)

- ▶ Aluminum Silver (Silver Moon)
- ▶ Beige (Sand)
- ▶ California Bronze (Espresso)
- ▶ Magnolia White (White)
- ▶ Slate Gray
- ▶ Tan

Impact Safety Rating Information:

Meets ANSI Z97.1, Class A

Meets CPSC 16CFR 1201 (Category I and II)

Complies With IBC Requirements for Use in Doors

- ▶ Orders for this Product are Non-Changeable and Non-Cancellable

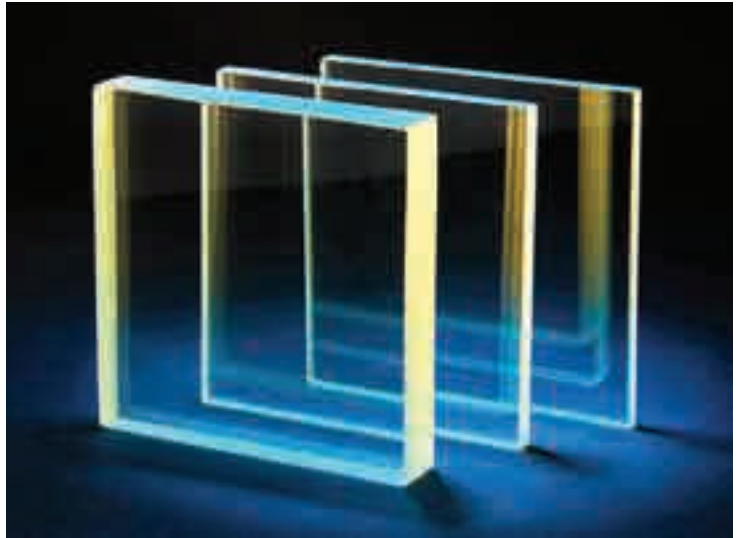


SPECIALTY GLASS

Specialty Glass is Available for Lite Kit and Borrowed Lite Applications. Contact Us With the Specification Requirements for a Quote and Lead-Time.

Radiation Shielding (Lead X-Ray Glass)

- ▶ Thickness = $\frac{5}{16}$ " to $\frac{5}{8}$ "
- ▶ Lead Equivalency = $\frac{1}{16}$ " to $\frac{3}{16}$ "
- ▶ Laminated Available
- ▶ Glass Sizes Available Up To 54" x 108"



Security Glazing

- ▶ Security, Blast and Bullet Resistant Options
- ▶ UL 752 Ballistic Levels 1-8
- ▶ With or Without Spall Protection
- ▶ Glass Sizes Available Up To 48" x 96"



L-700-RX, AFDL

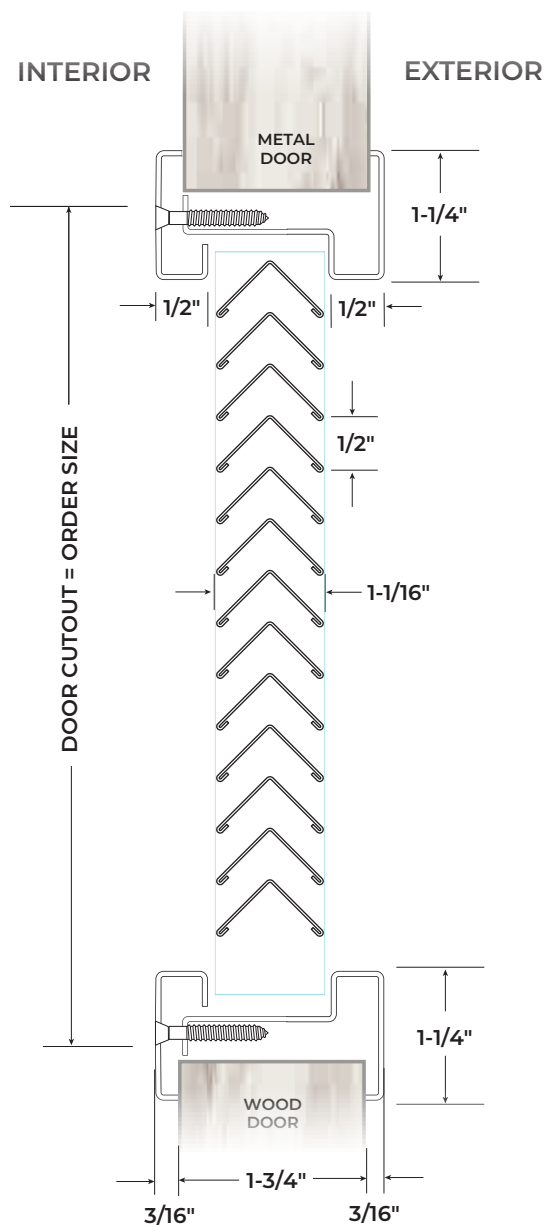
NO VISION DOOR LOUVER

FOR 1 3/4" THICK DOORS

- ▶ 18 Ga. Cold Rolled Steel
- ▶ Mitered and Welded Corners
- ▶ Welded Reinforcing Clips at Corners
- ▶ Inverted "V" Design
- ▶ Blades 24 Ga. Steel; Hemmed Edges
- ▶ Counter-Sunk Mounting Screw-Holes
- ▶ #8 X 3/4" Phillips Head SMS
- ▶ Available in Uneven and Fractional Sizes
- ▶ Free Area 55%
- ▶ Gray Primer (GPZ) Powder Coat Finish

Available Options

- ▶ Powder Coat Color Options - See Page L3
- ▶ Aluminum Insect Screen - 22 Ga. 1/8" Square Mesh Installed on Exterior Side Unless Requested Otherwise
- ▶ Torx Security Screws
- ▶ Galvanneal - A40 Steel
- ▶ Zinc Electro-Plating (Not Available on Insect Screen)



Not To Scale

Undersized 1/8" for clearance

Designed for Use on 1 3/4" Thick Doors Manufactured Within Door Industry Tolerance of +/- 1/16".

FDLS

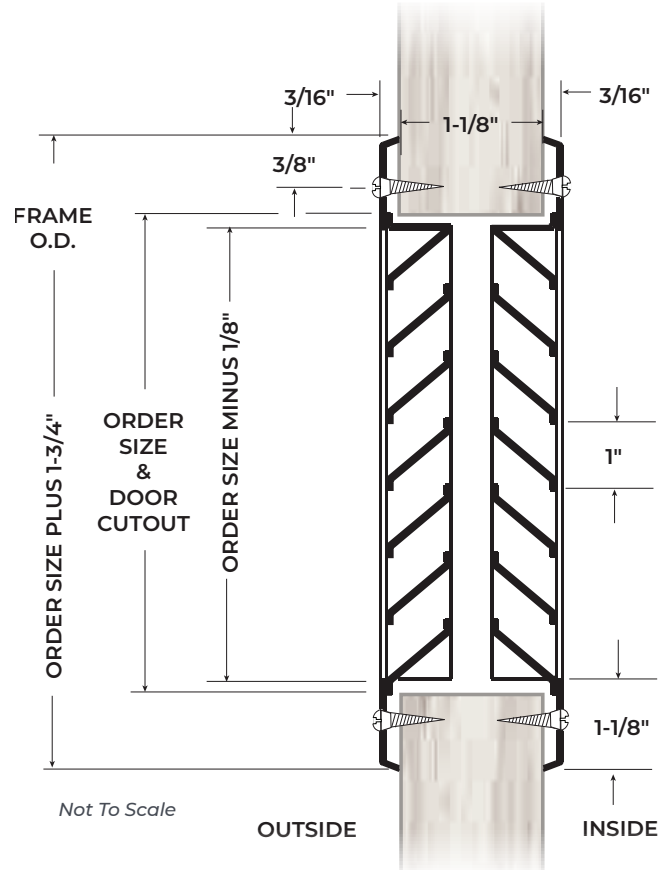
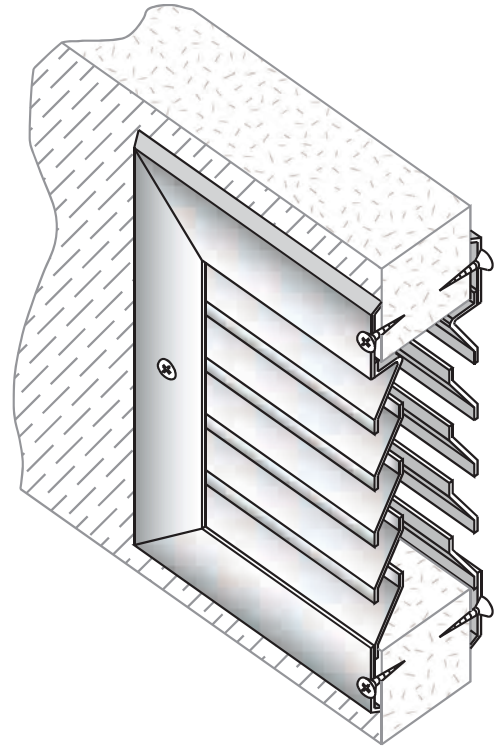
INVERTED SPLIT Y NO VISION DOOR LOUVER

FOR 1 1/8" AND OVER THICK DOORS

- 18 Ga. Cold Rolled Steel
- Mitered and Welded Corners
- Counter-Sunk Mounting Screw-Holes
- #8 X 3/4" Phillips Head SMS
- Available in Uneven and Fractional Sizes
- Free Area 50%
- Gray Primer (GPZ) Powder Coat Finish

Available Options

- Powder Coat Color Options - See Page L3
- Aluminum Insect Screen - 22 Ga. 1/8" Square Mesh Installed on Exterior Side Unless Requested Otherwise
- Torx Security Screws
- Galvanneal - A40 Steel
- Zinc Electro-Plating (Not Available on Insect Screen)
- One Way Vandal Resistant Screws



L-700 SERIES

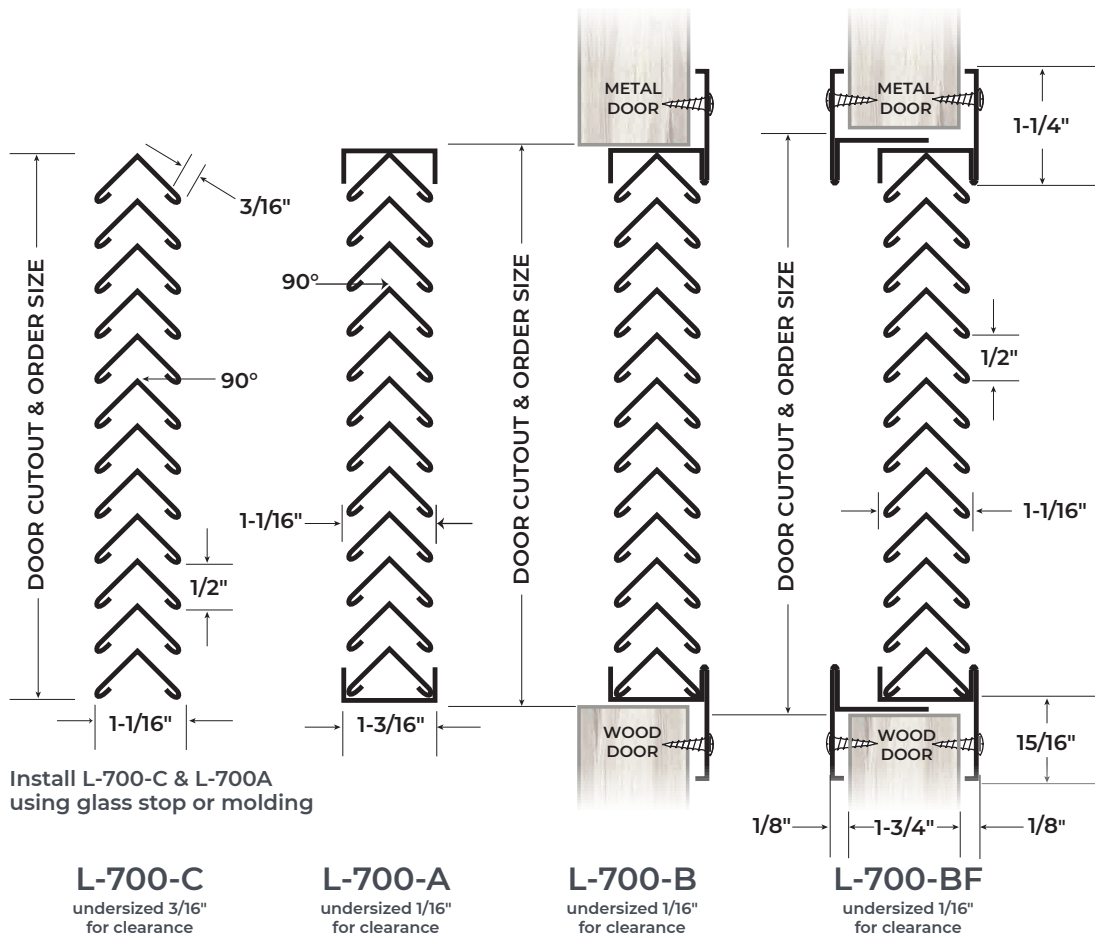
NO VISION DOOR AND PARTITION LOUVER

FOR 1 3/8", 1 3/4" UP TO 2 1/4" THICK DOORS

- 20 Ga. Cold Rolled Steel Frame
- Mitered and Welded Corners
- Welded Reinforcing Clips at Corners
- Inverted "V" Design
- Blades 24 Ga. Steel; Hemmed Edges
- Counter-Sunk Mounting Screw-Holes
- #8 X 3/4" Phillips Head SMS
- Available in Uneven and Fractional Sizes
- Free Area 55%
- Gray Primer (GPZ) Powder Coat Finish

Available Options

- Powder Coat Color Options - See Page L3
- Thru Bolts (TB) for 1 3/4" Thick Doors
- Aluminum Insect Screen - 22 Ga. 1/8" Square Mesh
Installed on Exterior Side Unless Requested Otherwise
- Torx Security Screws
- Galvanneal - A40 Steel
- Zinc Electro-Plating (Not Available on Insect Screen)



L-700-RX-SS, L-700-A-SS

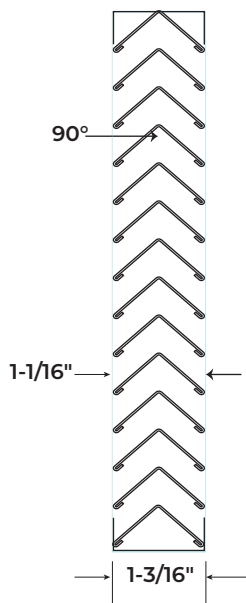
STAINLESS STEEL NO VISION DOOR LOUVER

FOR 1 3/4" THICK DOORS

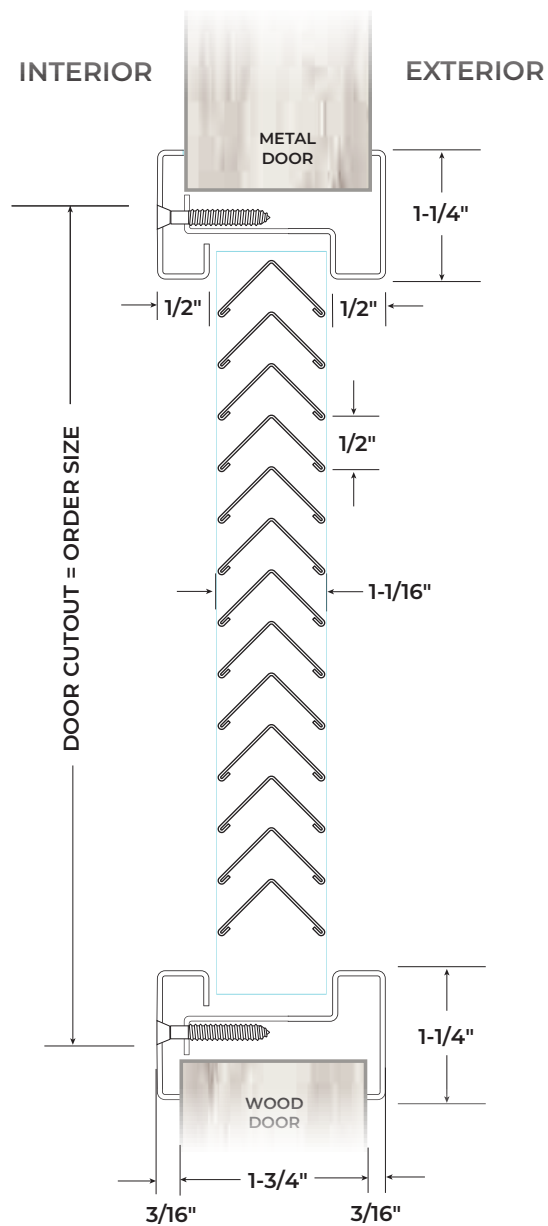
- ▶ 18 Ga. Type 304 Stainless Steel Frame
- ▶ Mitered and Welded Corners
- ▶ Inverted "V" Design
- ▶ Blades 24 Ga. Hemmed Edges
- ▶ Type 304 Stainless Steel
- ▶ Counter-Sunk Mounting Screw-Holes
- ▶ #8 X 1" Phillips Head SMS
- ▶ Available in Uneven and Fractional Sizes
- ▶ Free Area 55%
- ▶ #4 Satin Finish

Available Options

- ▶ Type 316 Stainless Steel – Specify L-700-RX-316SS, L-700-A-316SS
- ▶ Aluminum Insect Screen - 22 Ga. 1/8" Square Mesh Installed on Exterior Side Unless Requested Otherwise
- ▶ Torx Security Screws



L-700-A-SS
undersized 1/16" for clearance



L-700-RX-SS

Not To Scale

Undersized 1/8" for clearance

Designed for Use on 1 3/4" Thick Doors Manufactured Within Door Industry Tolerance of +/- 1/32".

FDLS-SS

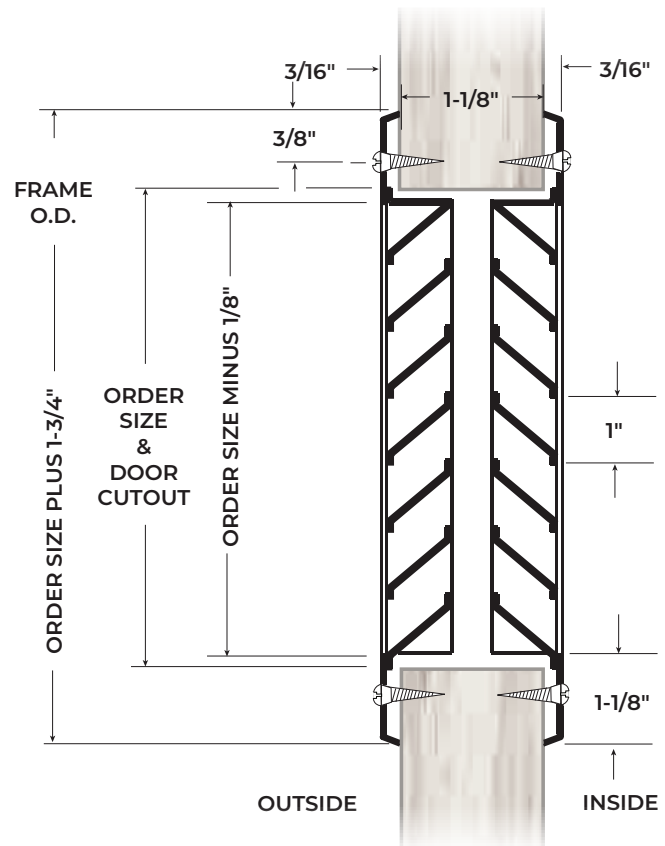
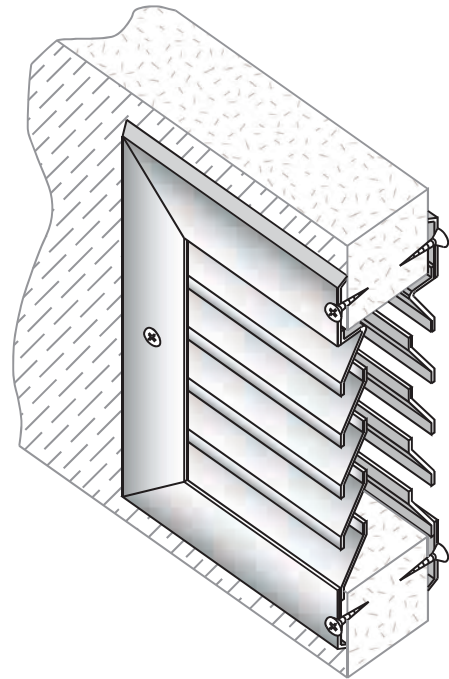
STAINLESS STEEL INVERTED SPLIT Y NO VISION DOOR LOUVER

FOR 1 1/8" AND OVER THICK DOORS

- ▶ 18 Ga. Type 304 Stainless Steel
- ▶ Mitered and Welded Corners
- ▶ Counter-Sunk Mounting Screw-Holes
- ▶ #8 X 3/4" Phillips Head SMS
- ▶ Available in Uneven and Fractional Sizes
- ▶ Free Area 50%
- ▶ #4 Satin Finish

Available Options

- ▶ Type 316 Stainless Steel – Specify FDLS-316SS
- ▶ Aluminum Insect Screen - 22 Ga. 1/8" Square Mesh Installed on Exterior Side Unless Requested Otherwise
- ▶ Torx Security Screws



Not To Scale

L-A700 SERIES

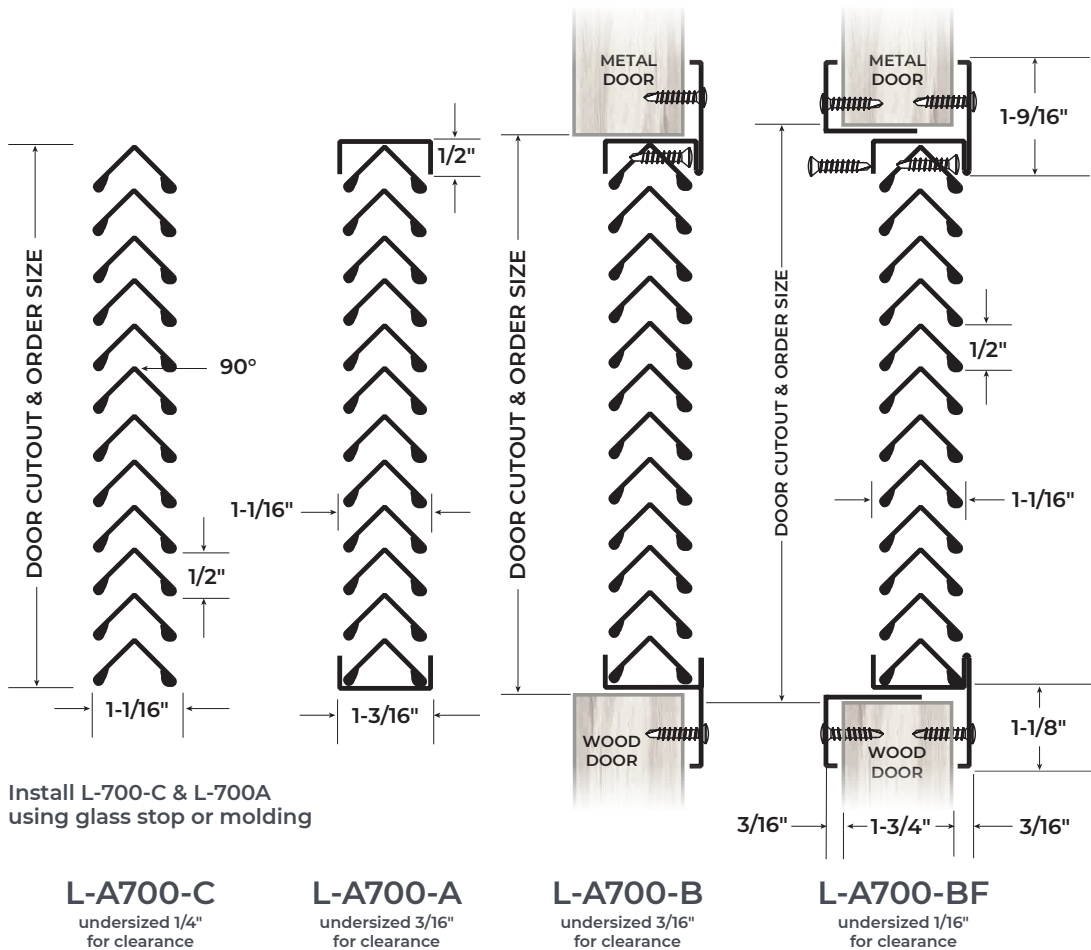
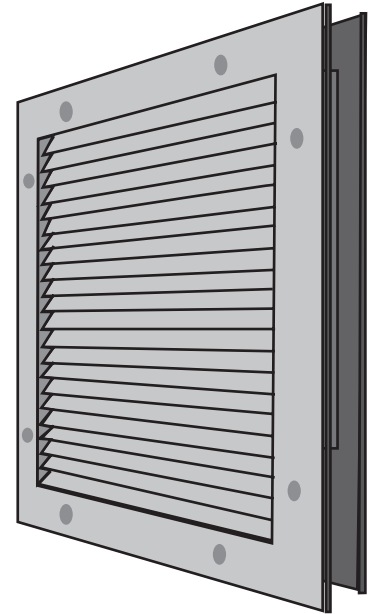
ALUMINUM NO VISION DOOR AND PARTITION LOUVER

FOR 1 3/8", 1 3/4" UP TO 2 1/4" THICK DOORS

- Frame .050" extruded Aluminum
- Blades .050" Extruded Aluminum
- Mitered Corners Secured With Reinforcing Clips
- Inverted "V" Design
- Counter-Sunk Mounting Screw-Holes
- #8 X 3/4" Phillips Head SMS
- Available in Uneven and Fractional Sizes
- Free Area 55%
- Aluminum Silver (ASL) Powder Coat Finish

Available Options

- Powder Coat Color Options - See Page L3
- For Exterior Use Specify Drainage Weep Holes
- Thru Bolts (TB) for 1 3/4" Thick Doors
- Aluminum Insect Screen - 22 Ga. 1/8" Square Mesh
Installed on Exterior Side Unless Requested Otherwise
- Torx Security Screws



L-1900, FLDL

FIRE-RATED FUSIBLE LINK LOUVER



*up to 90 minutes

FOR 1 3/4" THICK DOORS UP TO 90 MINUTES

- Blades Close When Activated By Fire/Heat
- 18 Ga. Cold Rolled Steel Frame
- 18 Ga. Cold Rolled Steel Adjustable "Z" Blades
- Mitered Corners Secured With Reinforcing Clips
- Stainless Steel Spring
- 165° Fusible Link
- #8 X 3/4" Phillips Head SMS
- Free Area 40%
- Gray Primer (GPZ) Powder Coat Finish

Available Options

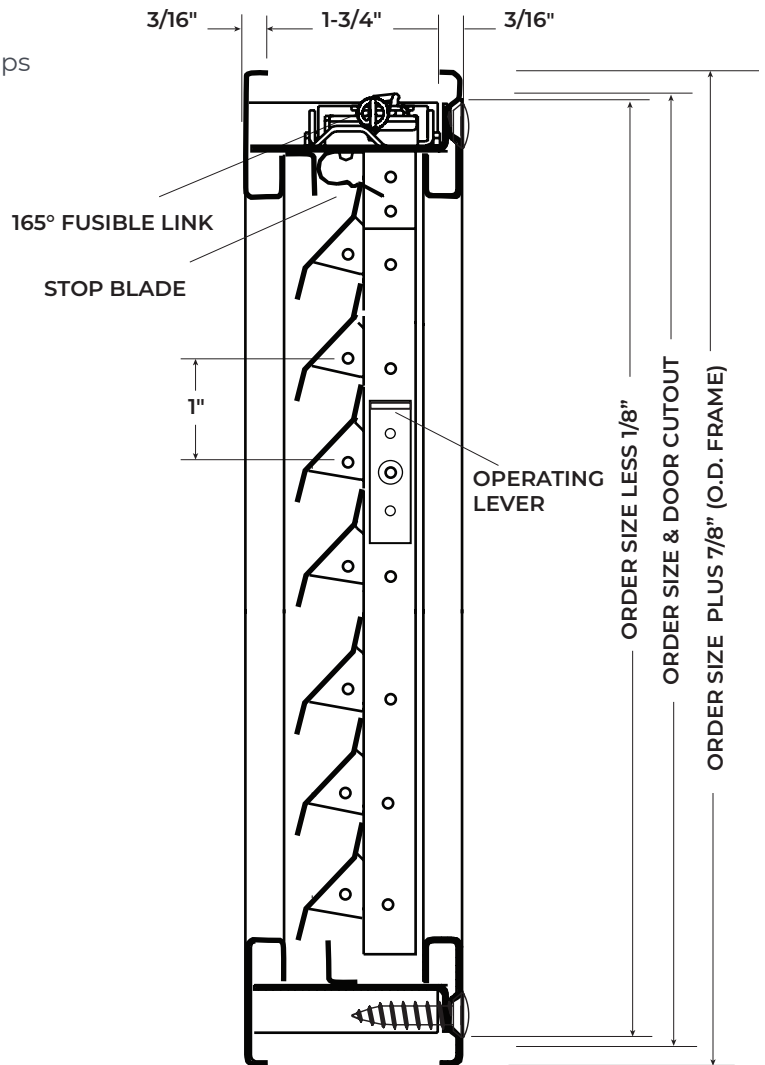
- Powder Coat Color Options - See Page L3
- Aluminum Insect Screen - 22 Ga. 1/8" Square Mesh Installed on Exterior Side
- Torx Security Screws
- Galvanneal - A40 Steel
- Type 304 Stainless Steel – Specify FLDL-SS
- Type 316 Stainless Steel – Specify FLDL-316SS

Size Information:

Available in Whole Inch Increments

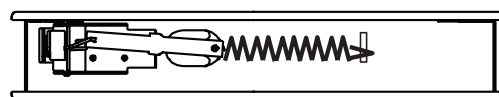
Minimum size: 10" x 6"

Maximum size: 24" x 30"



Undersized 1/8" for Clearance

Not to Scale



Top View Fusible Link Mechanism

L-1800

ADJUSTABLE BLADE LOUVER

FOR 1 3/4" THICK DOORS

- Manually Adjustable Blades
- 18 Ga. Cold Rolled Steel Frame
- 18 Ga. Cold Rolled Steel Adjustable "Z" Blades
- Mitered Corners Secured With Reinforcing Clips
- #8 X 3/4" Phillips Head SMS
- Free Area 40%
- Gray Primer (GPZ) Powder Coat Finish

Available Options

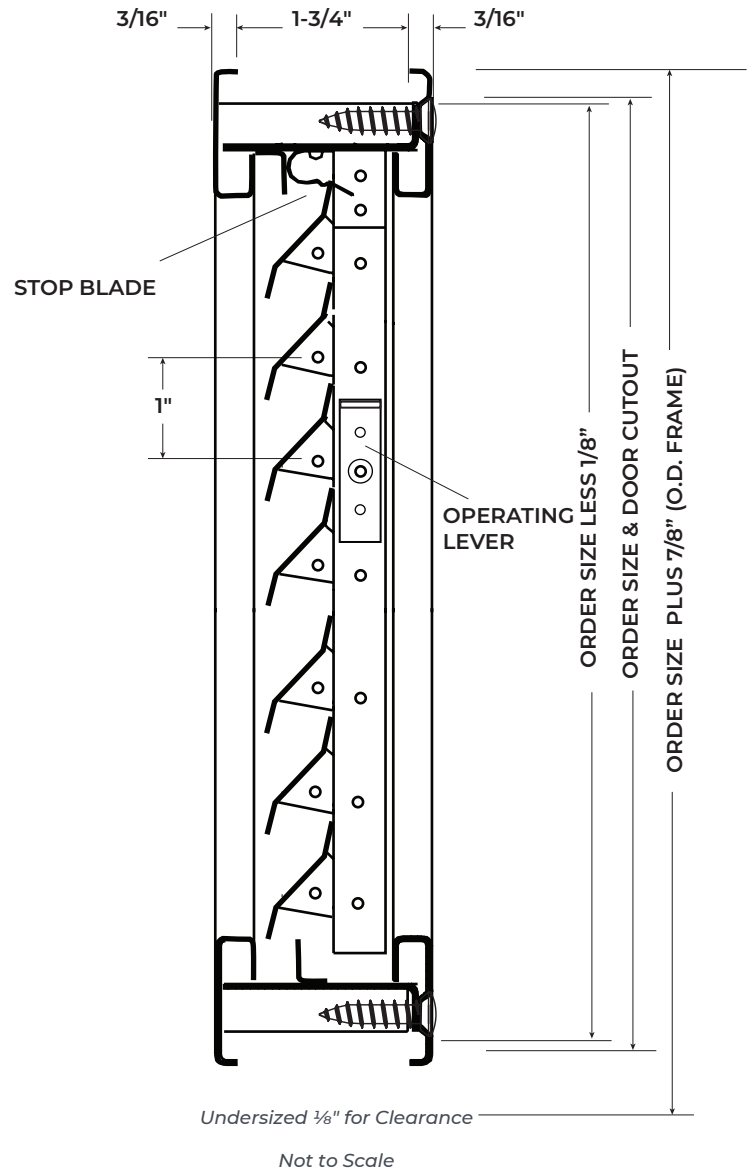
- Powder Coat Color Options - See Page L3
- Aluminum Insect Screen - 22 Ga. 1/8" Square Mesh Installed on Exterior Side
- Torx Security Screws
- Galvanneal - A40 Steel

Size Information:

Available in Whole Inch Increments

Minimum size: 10" x 6"

Maximum size: 24" x 30"



FOR 1 3/8" TO 1 3/4" THICK DOORS

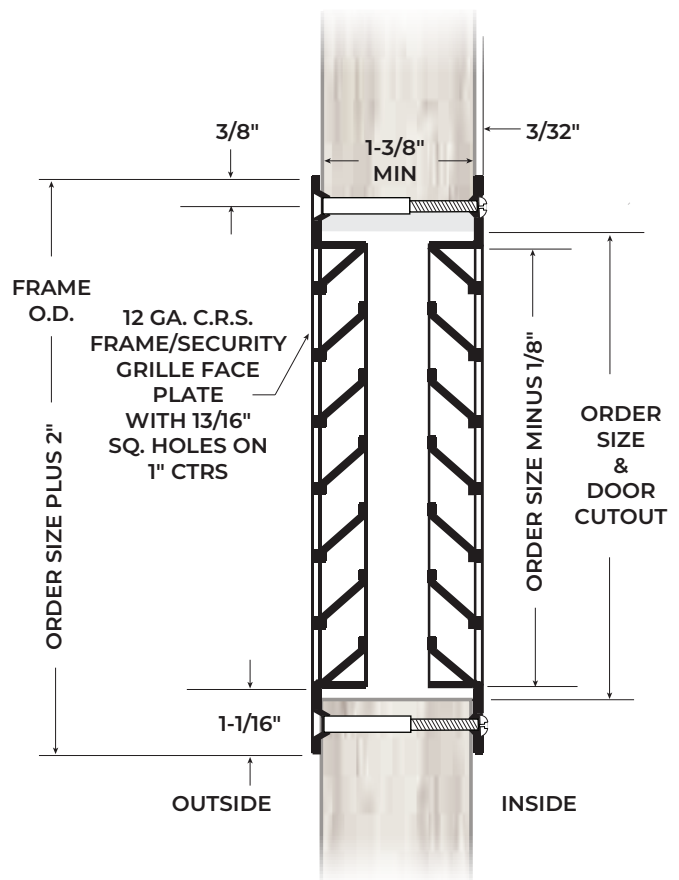
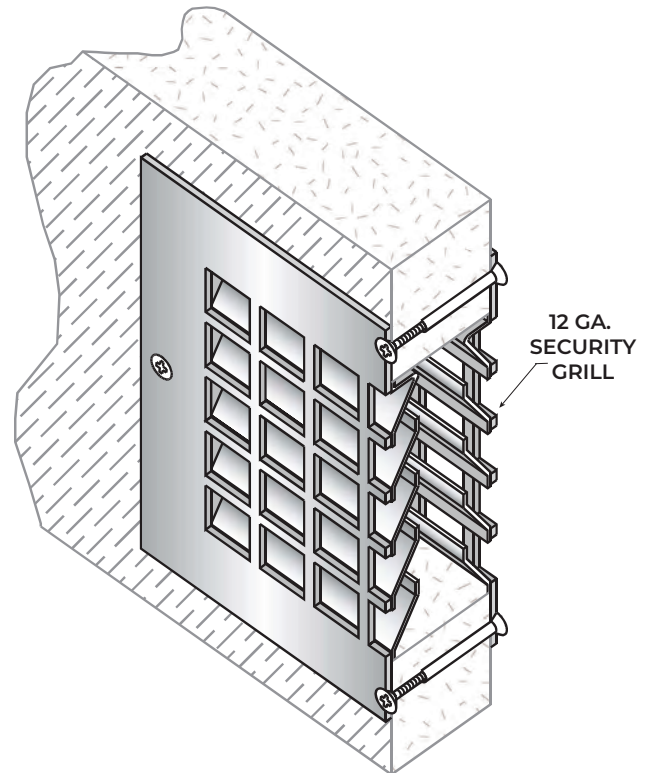
- ▶ 12 Ga. Cold Rolled Steel Security Grille Frame with 13/16" square holes on 1" centers
- ▶ 20 Ga. Cold Rolled Steel Louver Blades
- ▶ Counter-Sunk Mounting Screw-Holes
- ▶ #8-32 Thru-Bolts
- ▶ Available in Uneven and Fractional Sizes
- ▶ Free Area 50%
- ▶ Gray Primer (GPZ) Powder Coat Finish

Available Options

- ▶ Powder Coat Color Options - See Page L3
- ▶ Aluminum Insect Screen - 22 Ga. 1/8" Square Mesh Installed on Exterior Side Unless Requested Otherwise
- ▶ #8-32 One Way Vandal Resistant Security Screw Thru-Bolts
- ▶ Galvanneal - A40 Steel Blades (Not Available on Security Grilles)
- ▶ Zinc Electro-Plating (Not Available on Insect Screen)
- ▶ Type 304 Stainless Steel – Specify PLSL-SS
- ▶ Type 316 Stainless Steel – Specify PLSL-316SS

Hurricane Test/Windstorm Approvals (W/U.L. Marking)

- ▶ Successfully Tested in Accordance with ASTM E1886, E1996 AND E330 and ANSI 250, 13-Impact 350 ft. lbs. Design Pressure: +/- 70 PSF (Large Missile Test)
- ▶ Maximum Size for Hurricane Use is 36" x 72"



Not To Scale

L-VRSG-2, L-VRSG-3

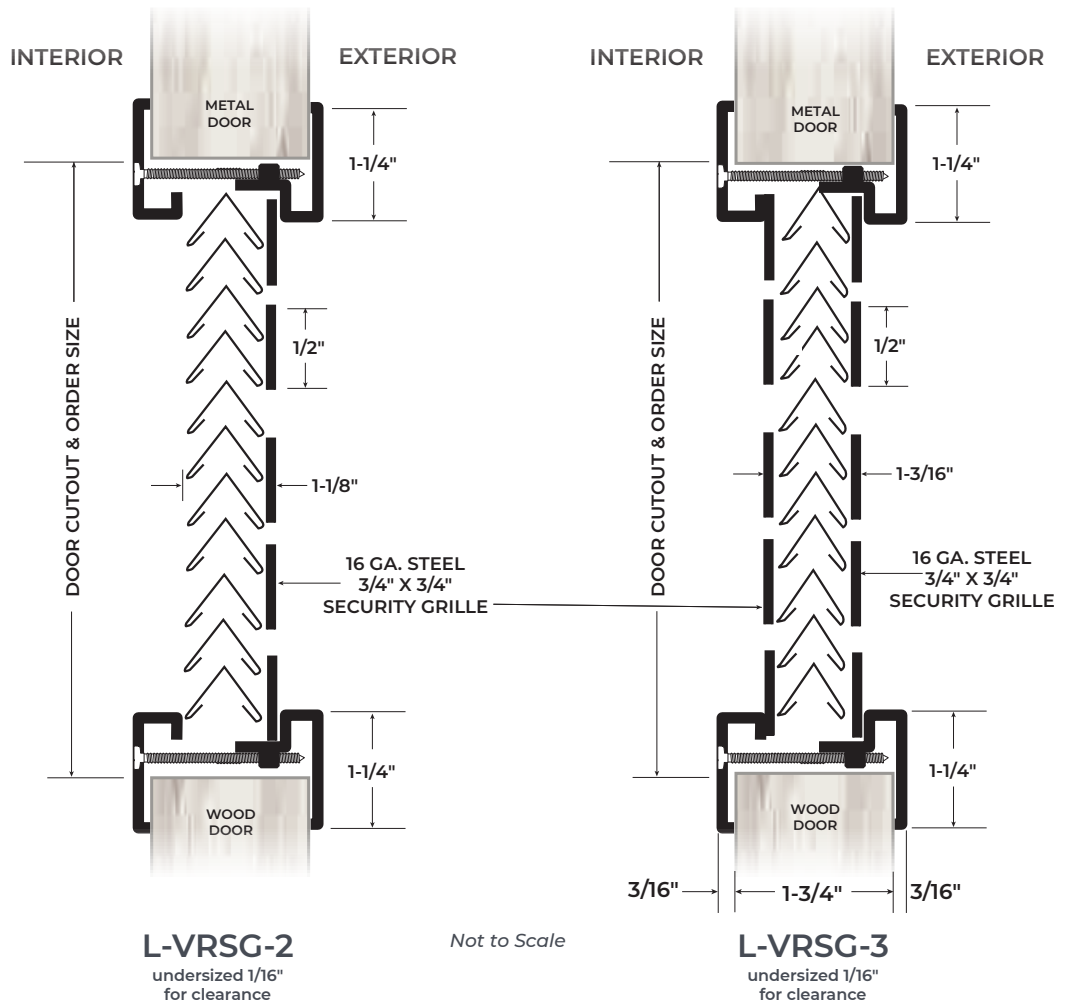
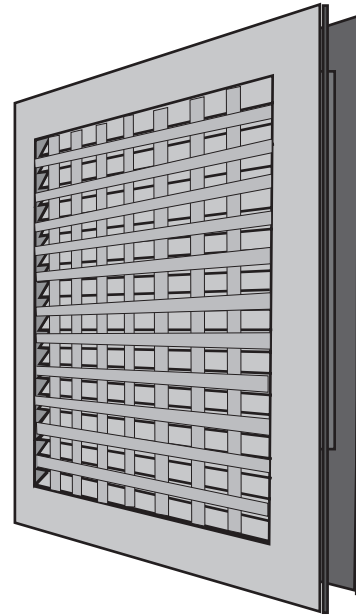
VANDAL RESISTANT SECURITY LOUVER

FOR 1 3/4" THICK DOORS

- 18 Ga. Cold Rolled Steel Frame
- Mitered and Welded Corners
- Welded Reinforcing Clips at Corners
- Inverted "V" Design
- Blades 24 Ga. Steel, Hemmed Edges
- 16 Ga. Steel, 3/4" X 3/4" Security Grille
- #6 X 1 3/4" Phillips Truss Head SMS
- Free Area 45%
- Gray Primer (GPZ) Powder Coat Finish

Available Options

- Powder Coat Color Options - See Page L3
- Thru Bolts (TB) for 1 3/4" Thick Doors
- Aluminum Insect Screen - 22 Ga. 1/8" Square Mesh
Installed on Exterior Side Unless Requested Otherwise
- Torx Security Screws
- Galvanneal - A40 Steel
- Zinc Electro-Plating (Not Available on Insect Screen)



FLDL-SG1

WINDSTORM RATED FIRE-RATED FUSIBLE LINK LOUVER

FOR 1 3/4" THICK DOORS UP TO 90 MINUTES

- ▶ Blades Close When Activated By Fire/Heat
- ▶ 18 Ga. Cold Rolled Steel Frame
- ▶ 18 Ga. Cold Rolled Steel Adjustable "Z" Blades
- ▶ 12 Ga. Cold Rolled Steel Security Grille One Side
- ▶ Mitered Corners Secured With Reinforcing Clips
- ▶ Stainless Steel Spring
- ▶ 165° Fusible Link
- ▶ #8 X 1" One Way Vandal Resistant Screws
- ▶ Free Area 40%
- ▶ Gray Primer (GPZ) Powder Coat Finish

Available Options

- ▶ Powder Coat Color Options - See Page L3
- ▶ Aluminum Insect Screen - 22 Ga. 1/8" Square Mesh Installed on Exterior Side
- ▶ Torx Security Screws
- ▶ Galvanneal - A40 Steel Frame and Blades (Security Grille not Available in Galvanneal)
- ▶ Type 304 Stainless Steel – Specify FLDL-SG1-SS
- ▶ Type 316 Stainless Steel – Specify FLDL-SG1-316SS

Size Information:

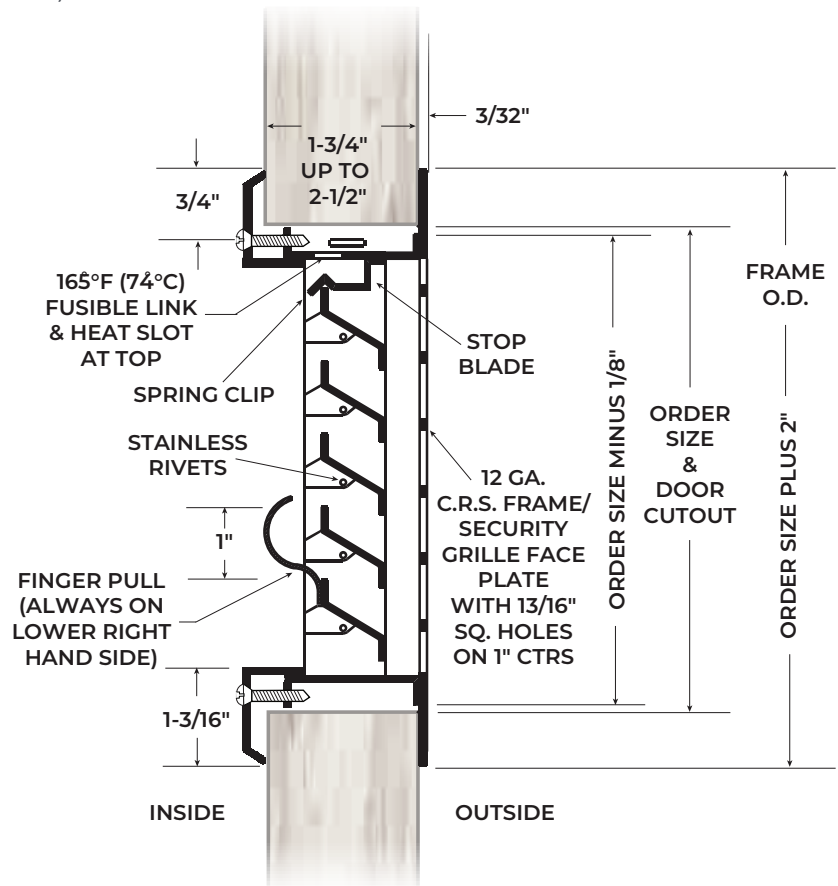
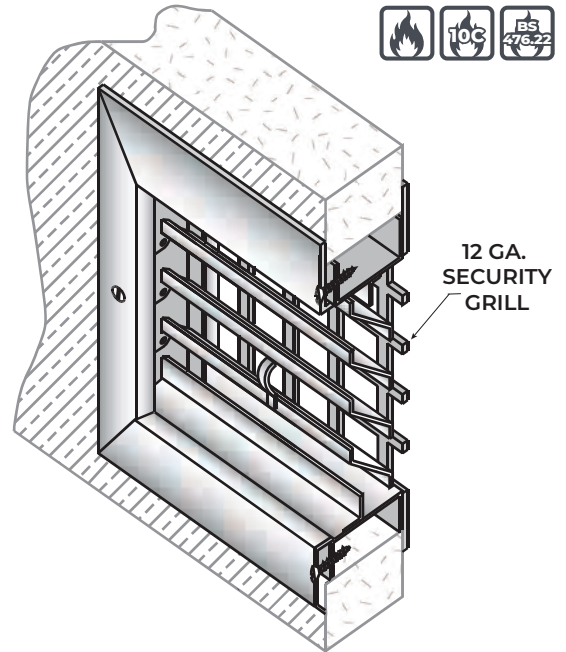
Available in Whole Inch Increments
 Minimum size: 10" x 6"
 Maximum size: 24" x 30"

Windstorm Rated

- ▶ Successfully Tested in Accordance with ASTM E1886, E1996 and E330 and ANSI 250, 13-Impact 350 ft. lbs. (Large Missile Test) Design Pressure +/- 70 PSF

UL Certification Mark on Product for Use in Windstorm-Rated Assemblies

- ▶ Maximum Size for Hurricane Use is 24" x 24" (610mm x 610mm)



Not To Scale

FLDL-SG2

WINDSTORM RATED FIRE-RATED FUSIBLE LINK LOUVER

FOR 1 3/4" THICK DOORS UP TO 90 MINUTES



- ▶ Blades Close When Activated By Fire/Heat
- ▶ 18 Ga. Cold Rolled Steel Adjustable "Z" Blades
- ▶ 12 Ga. Cold Rolled Steel Security Grille Both Sides
- ▶ Stainless Steel Spring
- ▶ 165° Fusible Link
- ▶ #8 X 1" One Way Vandal Resistant Screws
- ▶ Free Area 40%
- ▶ Gray Primer (GPZ) Powder Coat Finish

Available Options

- ▶ Powder Coat Color Options - See Page L3
- ▶ Aluminum Insect Screen - 22 Ga. 1/8" Square Mesh Installed on Exterior Side
- ▶ Torx Security Screws
- ▶ Galvanneal - A40 Blades (Security Grilles not Available in Galvanneal)
- ▶ Type 304 Stainless Steel – Specify FLDL-SG2-SS
- ▶ Type 316 Stainless Steel – Specify FLDL-SG2-316SS

Size Information:

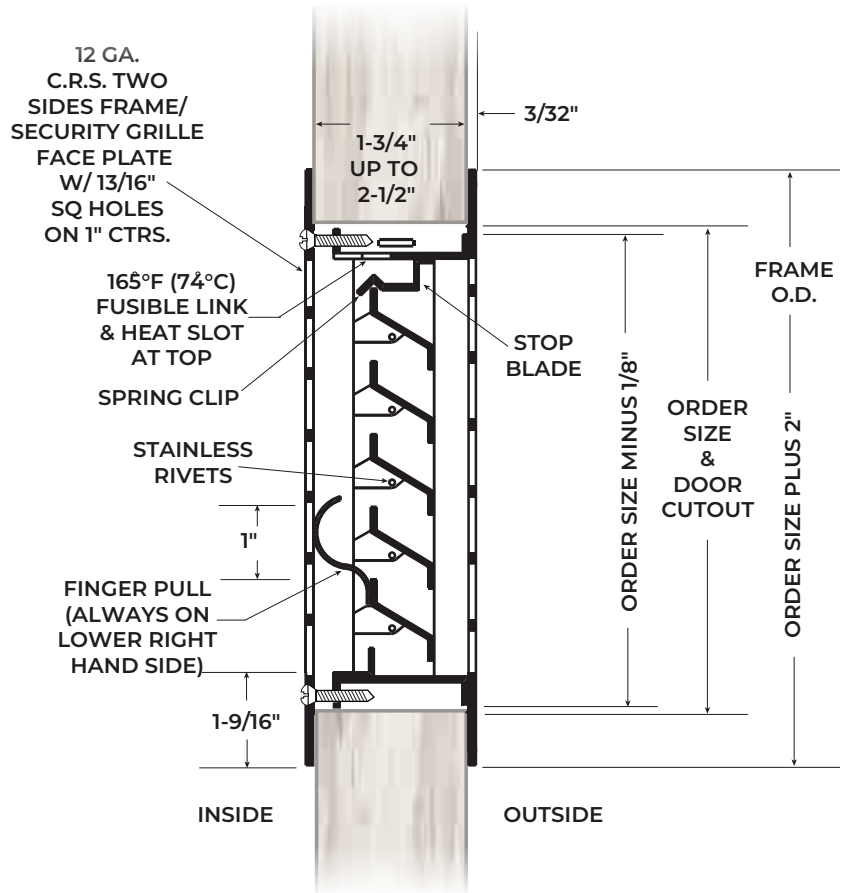
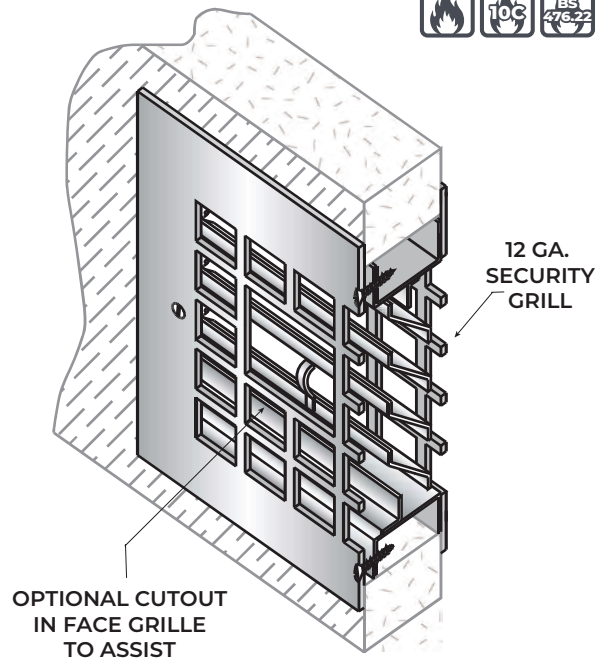
Available in Whole Inch Increments
 Minimum size: 10" x 6"
 Maximum size: 24" x 30"

Windstorm Rated

- ▶ Successfully Tested in Accordance with ASTM E1886, E1996 and E330 and ANSI 250, 13-Impact 350 ft. lbs. (Large Missile Test) Design Pressure +/- 70 PSF

UL Certification Mark on Product for Use in Windstorm-Rated Assemblies

- ▶ Maximum Size for Hurricane Use is 24" x 24" (610mm x 610mm)



Not To Scale

DSFP

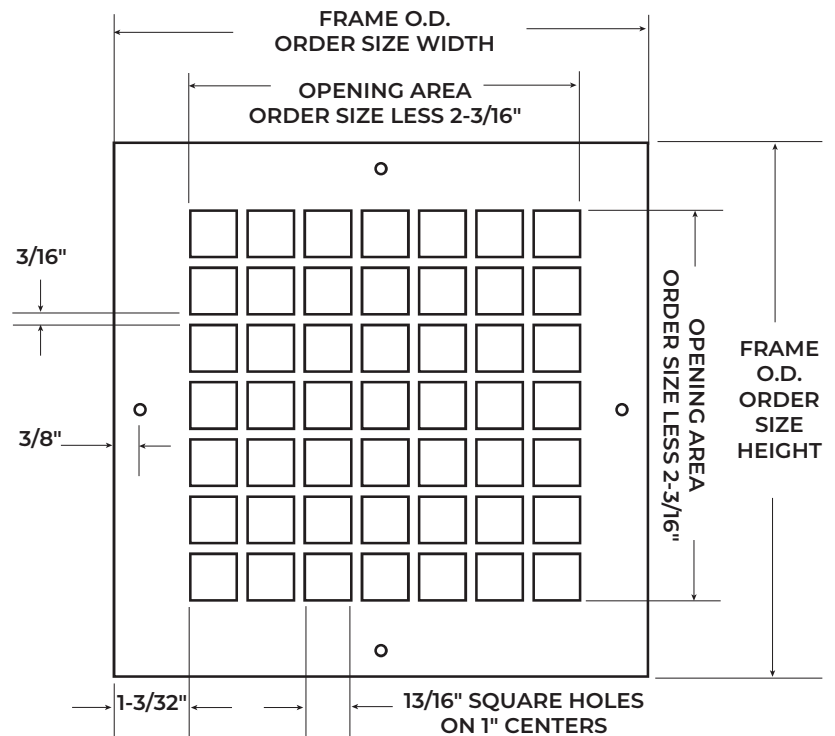
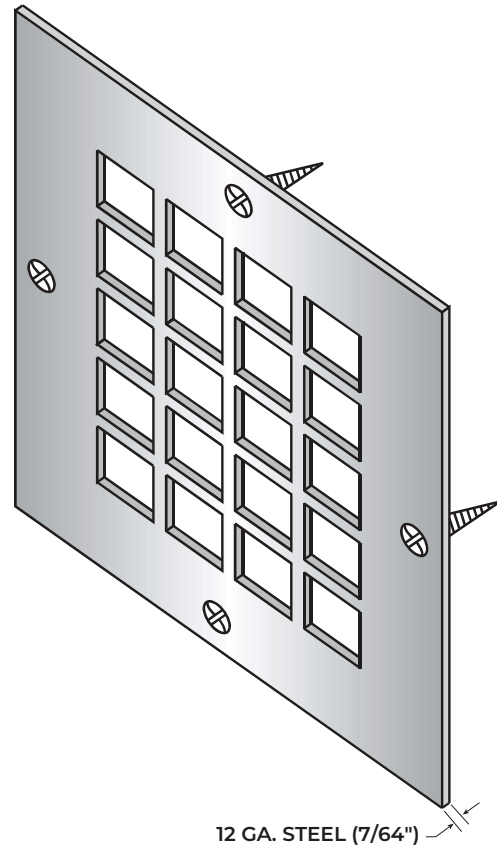
SECURITY GRILLE FACE PLATE

FOR WALLS OR DOORS

- ▶ 12 Ga. Cold Rolled Steel Lattice Security Grille
- ▶ $1\frac{3}{16}$ " Square Holes on 1" Centers
- ▶ #8 x 1" One Way Vandal Resistant Security Screws
- ▶ Free Area 66%
- ▶ Gray Primer (GPZ) Powder Coat Finish

Available Options

- ▶ Powder Coat Color Options - See Page L3
- ▶ Aluminum Insect Screen - 22 Ga. $\frac{1}{8}$ " Square Mesh Supplied Loose
- ▶ Zinc Electro-Plating (Not Available on Insect Screen)
- ▶ Type 304 Stainless Steel – Specify DSFP-SS
- ▶ Type 316 Stainless Steel – Specify DSFP-316SS



#8X1" ONE WAY VANDAL PROOF SECURITY SCREWS
(HOLE LOCATION AND QUANTITY WILL VARY BY SIZE)

Not To Scale

DSFP-PERF

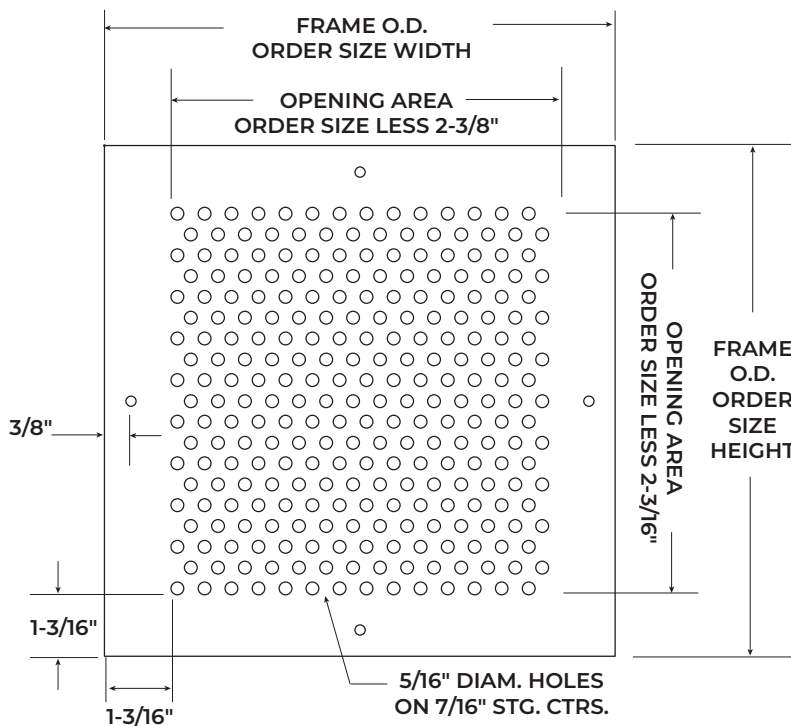
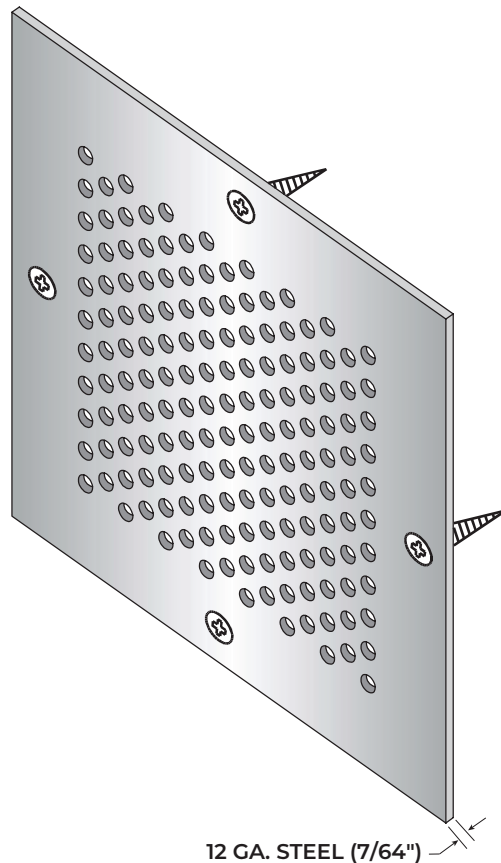
SECURITY GRILLE FACE PLATE

FOR WALLS OR DOORS

- 12 Ga. Cold Rolled Steel Perforated Security Grille
- $\frac{5}{16}$ " Diameter Holes on $\frac{7}{16}$ " Staggered Centers
- #8 x 1" One Way Vandal Resistant Security Screws
- Free Area 46%
- Gray Primer (GPZ) Powder Coat Finish

Available Options

- Powder Coat Color Options - See Page L3
- Aluminum Insect Screen - 22 Ga. $\frac{1}{8}$ " Square Mesh Supplied Loose
- Zinc Electro-Plating (Not Available on Insect Screen)



Not To Scale

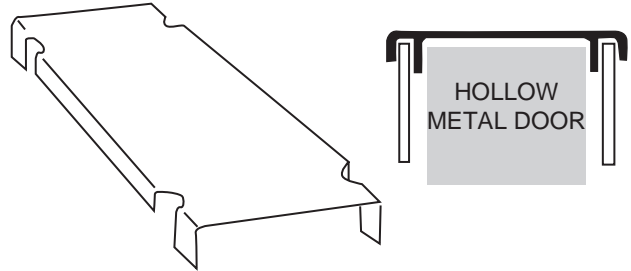
L-CLIPS

OPTIONAL REINFORCEMENT

FOR 1 3/4" HOLLOW METAL DOORS



- 20 Ga. Steel
- 4" Length Clip
- For Spot Reinforcement of Cut-Outs in Hollow Metal Doors
- NGP Lite Kits on Fire-Rated Hollow Metal Doors Do NOT Require L-Clips or Channels Welded in the Doors



FASTENERS

FOR LITES AND LOUVERS



PHILLIPS HEAD
TOP VIEW



TORX SECURITY
TOP VIEW



HEX HEAD WASHER
TOP VIEW

OH = OVAL HEAD TYPE
U/C = UNDERCUT
TH = TRUSS HEAD TYPE
SMS = SHEET METAL SCREW
TB = THRU BOLT
HW = HEX HEAD WASHER

#8 OH PHILLIPS U/C SMS
410 S/S MATERIAL
LENGTHS = 1-1/4", 1-3/4"



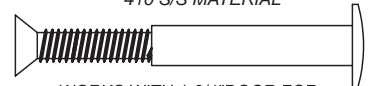
WORKS WITH;
L-FRA100, L-FRA100-SP,
L-FRA100-RD, L-CVFM-SS

#6 TH PHILLIPS SMS
410 SS MATERIAL
LENGTHS = 1", 1-3/4"



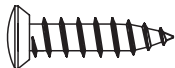
WORKS WITH;
L-GLF100, L-GLF100-SP
L-SG100

#8 X 32 THRU-BOLT
410 S/S MATERIAL



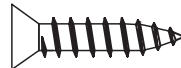
WORKS WITH 1-3/4" DOOR FOR;
L-GLF100-TB, L-GLF100-SP-TB
L-SG100-TB AND THRU
BOLTED LOUVERS

#8 X 3/4" OH
PHILLIPS U/C SMS
410 SS MATERIAL



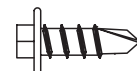
WORKS WITH;
L-700-RX, L-700-SERIES, L-A700-SERIES

#8 X 3/4" PH
PHILLIPS 410SS
SMS



WORKS WITH;
L-1800, L-1900

#8 X 1/2" HW
TEK ZINC SCREW



#8 X 1" OH PHILLIPS
TEK ZINC SCREW



WORKS WITH 1-3/4" DOOR FOR;
L-VGLF-VWD, L-VGLF-PZ, L-VGLF-MD,
L-VGLF-MDL, L-VGLF-OG, L-VGLF-SF



For the most up-to-date
Lite Kits & Louvers
Catalog scan the QR code
or visit ngp.com.



ngp.com
1-800-NGP-RUSH

FAX: (800) 255-7874
QUOTES: quotes@ngp.com

NGP MEMPHIS

4985 East Raines Road
Memphis, TN 38118
orders@ngp.com

NGP VEGAS

4584 Calimesa Street
Las Vegas, NV 89115
vegasorders@ngp.com