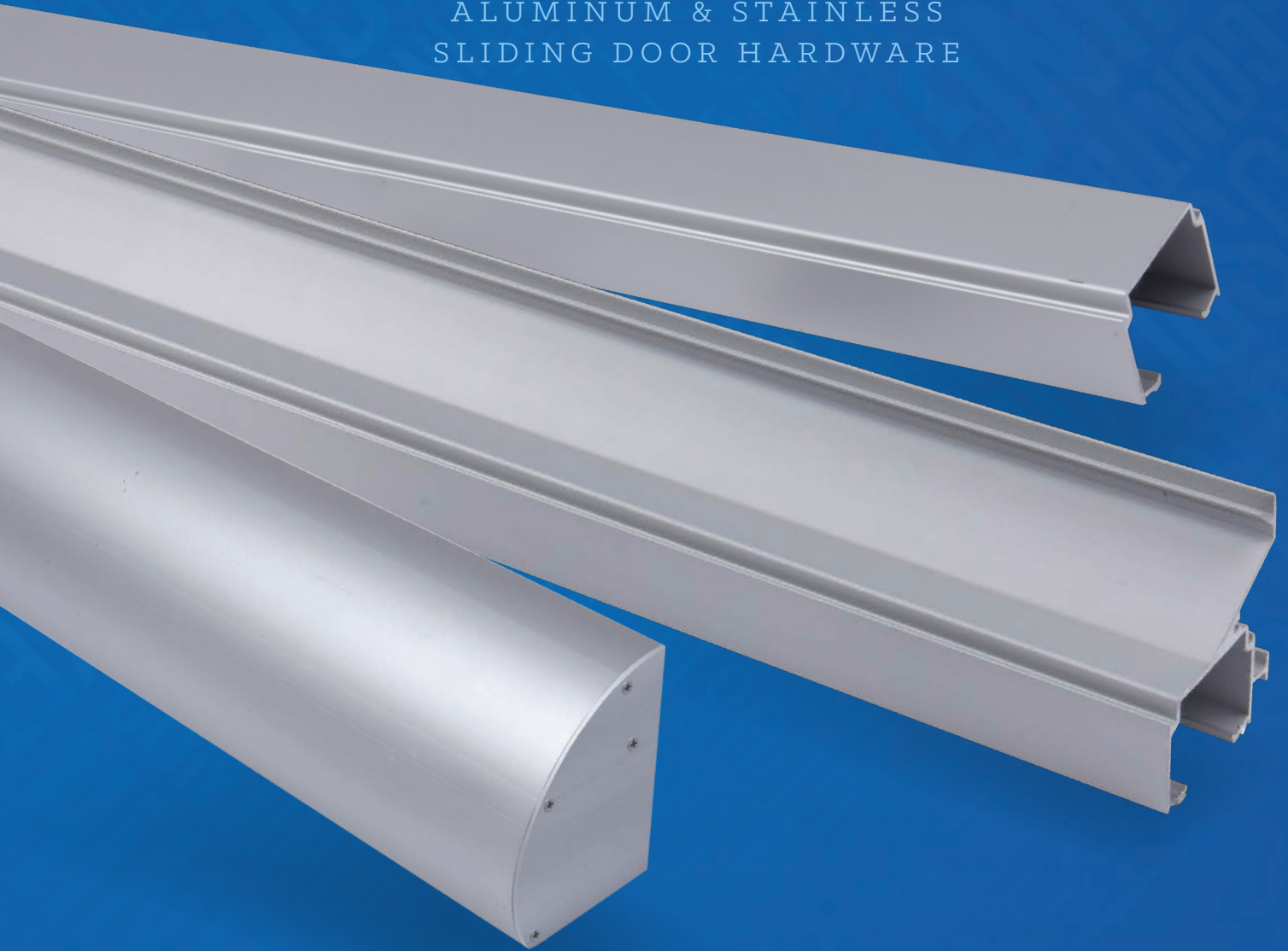




# SLIDING

ALUMINUM & STAINLESS  
SLIDING DOOR HARDWARE





## SLIDING DOOR HARDWARE INDEX

	Page
<b>Aluminum</b>	
Bi-Fold Sliding Door Hardware .....	SL4, SL5
Bi-Parting Sliding Door Hardware.....	SL8, SL10, SL11, SL12
By-Pass Sliding Door Hardware.....	SL2, SL3, SL6, SL7
Side Wall Mount Sliding Door Hardware .....	SL8, SL9
Pocket Door Hardware .....	SL10
Pocket Door Hardware Frame Kit.....	SL11, SL12
<b>Stainless Steel</b>	
Barn Door Hardware — Side Mount.....	SL14
Barn Door Hardware — Top Mount.....	SL13
Flat Track — Side Mount.....	SL16
Flat Track — Top Mount .....	SL15
<b>Accessories</b>	
Drywall Spacers.....	SL20
Pocket Door Kit-7'-9' Extension Kit.....	SL21
Sliding Door Hardware Accessories.....	SL17-SL23
Sliding Door Hardware Adapter Kit .....	SL22
Sliding Door Hardware Converging Kit.....	SL23
Soft-Close for Aluminum Sliding Door Hardware .....	SL19

## NUMERICAL INDEX

SC.....	SL19	SL-SQ18.....	SL8	SLAL-250-PDKIT-6.....	SL11
SC-LITE.....	SL19	SL-SQ20.....	SL6, SL10	SLAL-250-PDKIT-6-48".....	SL11
SCBY.....	SL19	SL-SQ22.....	SL9	SLAL-250-PDKIT-6-EXT.....	SL12
SCBY-LITE.....	SL19	SL-SQ24.....	SL9	SLAL-250-PDK-6-EXT48".....	SL12
SL-BCG.....	SL17	SL-WG.....	SL17	SLAL-250-PDKIT-6M.....	SL11
SL-RD.....	SL8	SLAL-CNVG-KIT.....	SL22	SLAL-250-PDKT-6M-48".....	SL11
SL-BLFT-DWS.....	SL20	SLAL EXT KIT.....	SL21	SLAL-250-PDKT-6M-EXT.....	SL12
SL-BLFT1-6.....	SL15	SLAL EXT KIT 48"DR.....	SL21	SLAL-250-PK-6M-EXT48.....	SL12
SL-BLFT1-6-SC.....	SL15	SLAL-134-KIT.....	SL22	SLAL-250-SW.....	SL8
SL-BLFT1-8.....	SL15	SLAL-75-BF2DR.....	SL4	SLAL-250-SWLP.....	SL9
SL-BLFT1-8-SC.....	SL15	SLAL-75-BF4DR.....	SL4	SLSS-FG.....	SL17
SL-BLFT2-6.....	SL16	SLAL-75-BP.....	SL2	SLSS-DWS-6.....	SL20
SL-BLFT2-6-SC.....	SL16	SLAL-75-BPF.....	SL3	SLSS-DWS-8.....	SL20
SL-BLFT2-8.....	SL16	SLAL-125-BF2DR.....	SL5	SLSSI-6.....	SL13
SL-BLFT2-8-SC.....	SL16	SLAL-125-BF4DR.....	SL5	SLSSI-6-SC.....	SL13
SL-SNFT-DWS.....	SL20	SLAL-250-BP-2DR.....	SL6	SLSSI-8.....	SL13
SL-SNFT1-6.....	SL15	SLAL-250-BP-4DR.....	SL6	SLSSI-8-SC.....	SL13
SL-SNFT1-6-SC.....	SL15	SLAL-250-BPF-2DR.....	SL7	SLSS2-6.....	SL14
SL-SNFT1-8.....	SL15	SLAL-250-BPF-4DR.....	SL7	SLSS2-6-SC.....	SL14
SL-SNFT1-8-SC.....	SL15	SLAL-250-PD.....	SL10	SLSS2-8.....	SL14
SL-SNFT2-6.....	SL16	SLAL-250-PDKIT.....	SL11	SLSS2-8-SC.....	SL14
SL-SNFT2-6-SC.....	SL16	SLAL-250-PDKIT-EXT.....	SL12	SWBP-BRKT.....	SL18
SL-SNFT2-8.....	SL16	SLAL-250-PDKT-EXT-48.....	SL12	SWPD-LPBRKT.....	SL18
SL-SNFT2-8-SC.....	SL16	SLAL-250-PDKIT-48"DR.....	SL11		

## RATING SYMBOLS LEGEND



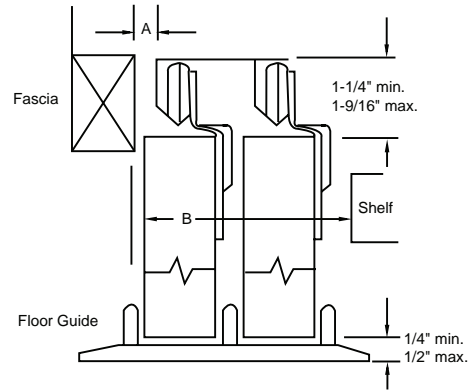
ANSI/BHMA CERTIFIED. Certified sliding door hardware complies with American National Standard for Sliding and Folding Door Hardware ANSI/BHMA A156.14, and is listed in the BHMA Certified Products Directory.

# BY-PASS

## SIDE MOUNT TRACK SYSTEM

- ▶ Designed for Multi-Family Applications
- ▶ Up to 1 3/8" Doors
- ▶ For Sliding Doors up to 75 lbs. Each
- ▶ Meets ADA Push Force Requirements
- ▶ 5-Year Warranty

SKU	TRACK LENGTH
SLAL-75-BP-48	46 1/2"
SLAL-75-BP-60	58 1/2"
SLAL-75-BP-72	70 1/2"
SLAL-75-BP-96	94 1/2"



DOOR THICKNESS	3/4"	1 3/8"
DIMENSION A	0"	7/8"
DIMENSION B	2 3/4"	4"

*Complete Kits Include:*

- (1) Track
- (1) Floor Guide With Steel Bracket
- (2) Front Hangers
- (2) Back Hangers
- (2) Brass Pulls
- (2) Chrome Pulls



# BY-PASS WITH FASCIA

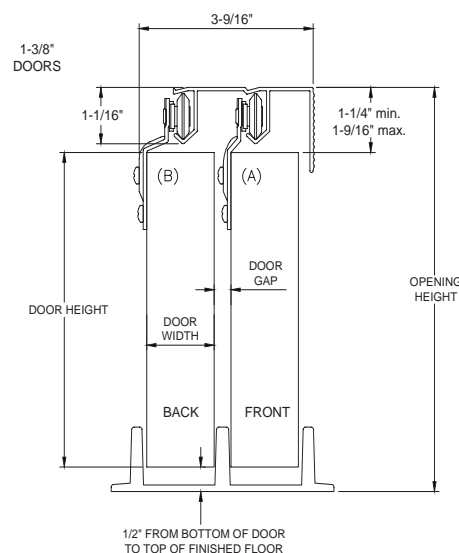
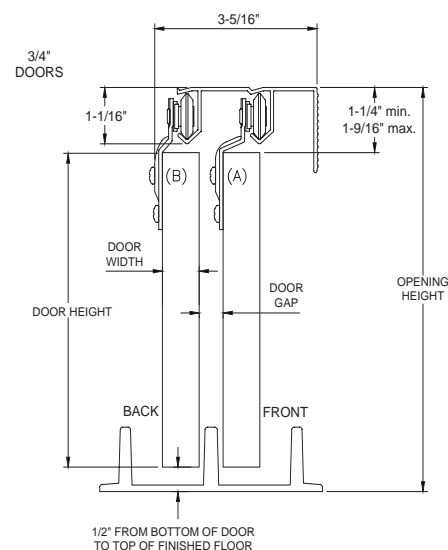
## SIDE MOUNT TRACK SYSTEM

- ▶ Designed for Multi-Family Applications
- ▶ Up to 1 3/8" Doors
- ▶ For Sliding Doors up to 75 lbs. Each
- ▶ Meets ADA Push Force Requirements
- ▶ 5-Year Warranty

SKU	TRACK LENGTH
SLAL-75-BPF-48	48"
SLAL-75-BPF-60	60"
SLAL-75-BPF-72	72"
SLAL-75-BPF-96	96"

### Complete Kits Include:

- (1) Track
- (1) Floor Guide With Steel Bracket
- (2) Front Hangers
- (2) Back Hangers
- (2) Brass Pulls
- (2) Chrome Pulls



# BI-FOLD

## TOP MOUNT TRACK SYSTEM

- Designed for Multi-Family Applications
- 1 $\frac{3}{8}$ " To 1 $\frac{3}{4}$ " Doors
- For Folding Doors up to 24" Wide and up to 75 lbs. Each
- Meets ADA Push Force Requirements
- 5-Year Warranty

### TWO-DOOR SYSTEMS

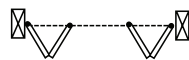


SKU	TRACK LENGTH
SLAL-75-BF2DR-36	36"
SLAL-75-BF2DR-48	48"

#### Two-Door Complete Kits Include:

- |                  |                   |
|------------------|-------------------|
| (1) Track        | (1) Aligner       |
| (1) Top Pivot    | (1) Wood Knob     |
| (1) Bottom Pivot | (4) Brass Hinges  |
| (1) Roller       | (4) Chrome Hinges |
| (1) Snugger      |                   |

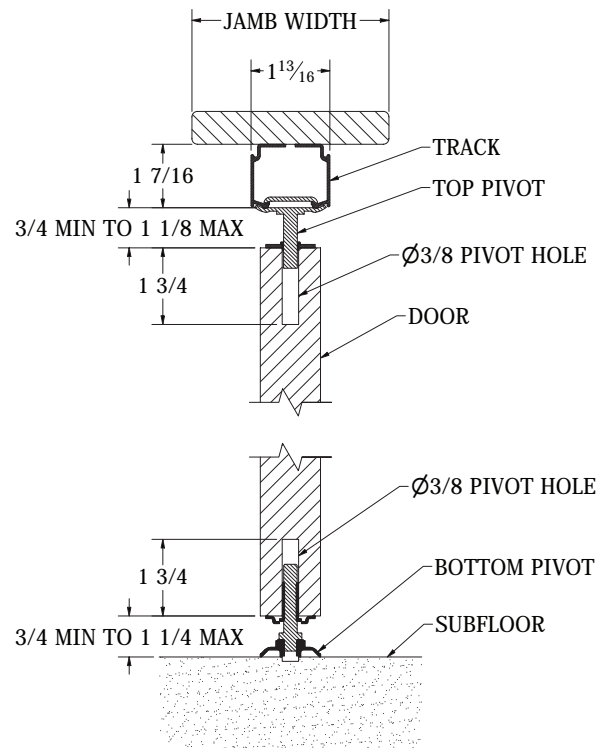
### FOUR-DOOR SYSTEMS



SKU	TRACK LENGTH
SLAL-75-BF4DR-60	60"
SLAL-75-BF4DR-72	72"
SLAL-75-BF4DR-96	96"

#### Four-Door Complete Kits Include:

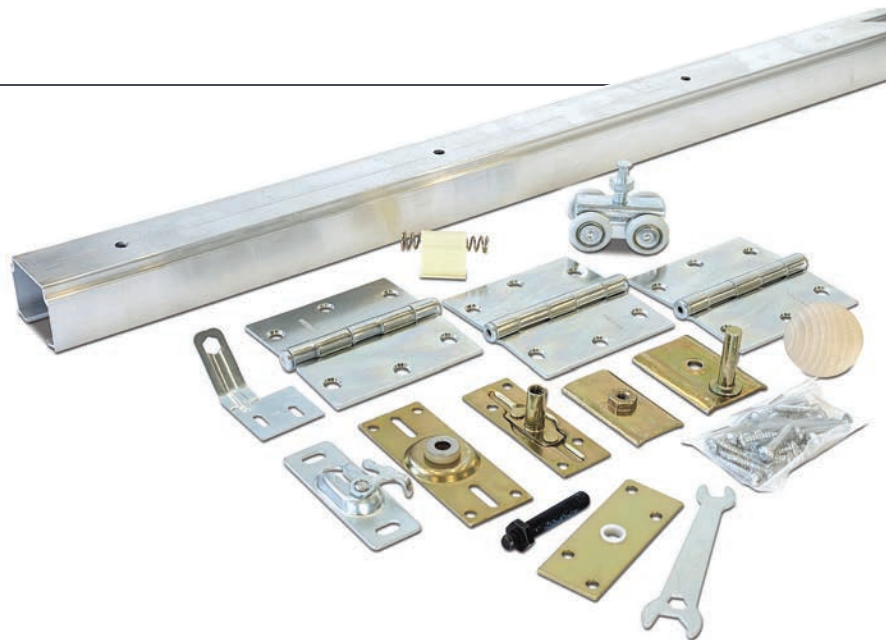
- |                   |                   |
|-------------------|-------------------|
| (1) Track         | (2) Aligners      |
| (2) Top Pivots    | (2) Wood Knobs    |
| (2) Bottom Pivots | (8) Brass Hinges  |
| (2) Rollers       | (8) Chrome Hinges |
| (2) Snuggers      |                   |



# BI-FOLD

## TOP MOUNT TRACK SYSTEM

- For Use with 1 3/4" Thick Doors
- For Folding Doors up to 36" Wide and up to 125 lbs. Each
- Meets ADA Push Force Requirements
- 5-Year Warranty



## TWO-DOOR SYSTEMS

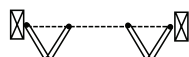


SKU	TRACK LENGTH
SLAL-125-BF2DR-48	48"
SLAL-125-BF2DR-60	60"
SLAL-125-BF2DR-72	72"

### Two-Door Complete Kits Include:

- (1) Track
- (1) Top Pivot
- (1) Bottom Pivot
- (1) Roller
- (1) Snagger
- (1) Aligner
- (1) Wood Knob
- (3) Chrome Hinges

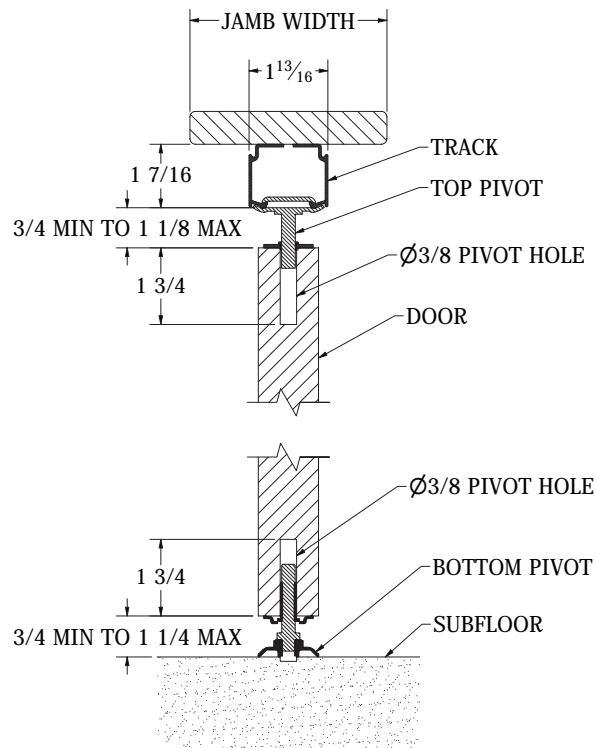
## FOUR-DOOR SYSTEMS



SKU	TRACK LENGTH
SLAL-125-BF4DR-48	48"
SLAL-125-BF4DR-60	60"
SLAL-125-BF4DR-72	72"
SLAL-125-BF4DR-96	96"
SLAL-125-BF4DR-144	2 at 72"

### Four-Door Complete Kits Include:

- (1) Track
- (2) Top Pivots
- (2) Bottom Pivots
- (2) Rollers
- (2) Snaggers
- (2) Aligners
- (2) Wood Knobs
- (6) Chrome Hinges



## TOP MOUNT TRACK SYSTEM

- Commercial Grade for 1 $\frac{3}{8}$ " To 1 $\frac{3}{4}$ " Doors
- For Sliding Doors up to 250 lbs. Each
- ANSI/BHMA A156.14 Grade 1 Certified to 100,000 Cycles Including Soft-Close Feature
- Hangers With Heavy-Duty Ball Bearing Wheels
- Meets ADA Push Force Requirements
- 5-Year Warranty

## TWO-DOOR SYSTEMS

SKU	TRACK LENGTH
SLAL-250-BP-2DR-48	48"
SLAL-250-BP-2DR-60	60"
SLAL-250-BP-2DR-72	72"
SLAL-250-BP-2DR-96	96"
SLAL-250-BP-2DR-144	144"

### Complete Kits Include:

- (1) Track – Mill Finish
- (2) Universal Hardware Packs, Each Consists Of:
  - (2) Ball Bearing Heavy-Duty Hangers
  - (2) Snap-In Door Brackets
  - (2) In-Track Stops
  - (1) Angle Stop
  - (1) Bumper Stop
  - (1) Door Guide
- Heavy-Duty Floor Guides

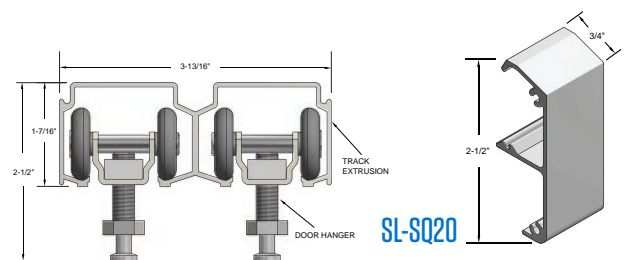


## FOUR-DOOR SYSTEMS

SKU	TRACK LENGTH
SLAL-250-BP-4DR-48	48"
SLAL-250-BP-4DR-60	60"
SLAL-250-BP-4DR-72	72"
SLAL-250-BP-4DR-96	96"
SLAL-250-BP-4DR-144	144"

### Complete Kits Include:

- (1) Track – Mill Finish
- (4) Universal Hardware Packs, Each Consists Of:
  - (2) Ball Bearing Heavy-Duty Hangers
  - (2) Snap-In Door Brackets
  - (2) In-Track Stops
  - (1) Angle Stop
  - (1) Bumper Stop
  - (1) Door Guide
- Heavy-Duty Floor Guides



## OPTIONS:

- Soft-Close / Open – Specify “SCBY”  
For Both Directions Order (2) Sets “SCBY” for Doors 120 lbs.-150 lbs. Each
- Light-Duty Soft-Close / Open - Specify “SCBY-LITE”  
Both Directions Order (2) “SCBY-LITE” for Doors 65 lbs.-115 lbs. Each
- Bottom Channel Guide “SL-BCG” (Page SL17)
- Snap-On Fascia “SL-SQ20” – Clear Anodized – Shown Above
- Sidewall Mount Brackets “SWBP-BRKT” (Page SL18)

# BY-PASS WITH FASCIA



## TOP MOUNT TRACK SYSTEM

- Commercial Grade for 1 $\frac{3}{8}$ " To 1 $\frac{3}{4}$ " Doors
- For Sliding Doors up to 250 lbs. Each
- ANSI/BHMA A156.14 Grade 1 Certified to 100,000 Cycles Including Soft-Close Feature
- Hangers With Heavy-Duty Ball Bearing Wheels
- Meets ADA Push Force Requirements
- 5-Year Warranty

## TWO-DOOR SYSTEMS

SKU	TRACK LENGTH
SLAL-250-BPF-2DR-48	48"
SLAL-250-BPF-2DR-60	60"
SLAL-250-BPF-2DR-72	72"
SLAL-250-BPF-2DR-96	96"
SLAL-250-BPF-2DR-144	144"

### Complete Kits Include:

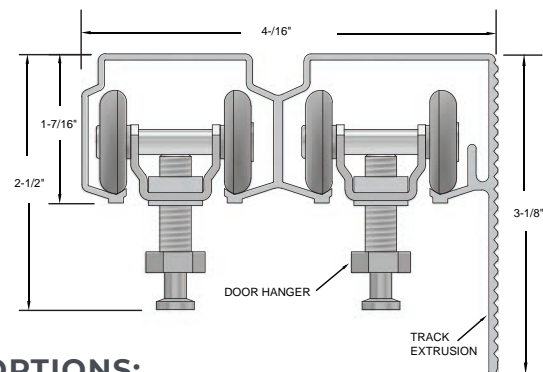
- (1) Track – Mill Finish
- (2) Universal Hardware Packs, Each Consists Of:
  - (2) Ball Bearing Heavy-Duty Hangers
  - (2) Snap-In Door Brackets
  - (2) In-Track Stops
  - (1) Angle Stop
  - (1) Bumper Stop
  - (1) Door Guide
- Heavy-Duty Floor Guides

## FOUR-DOOR SYSTEMS

SKU	TRACK LENGTH
SLAL-250-BPF-4DR-48	48"
SLAL-250-BPF-4DR-60	60"
SLAL-250-BPF-4DR-72	72"
SLAL-250-BPF-4DR-96	96"
SLAL-250-BPF-4DR-144	144"

### Complete Kits Include:

- (1) Track – Mill Finish
- (4) Universal Hardware Packs, Each Consists Of:
  - (2) Ball Bearing Heavy-Duty Hangers
  - (2) Snap-In Door Brackets
  - (2) In-Track Stops
  - (1) Angle Stop
  - (1) Bumper Stop
  - (1) Door Guide
- Heavy-Duty Floor Guides



### OPTIONS:

- Soft-Close / Open – Specify “SCBY”  
For Both Directions Order (2) Sets “SCBY” for Doors 120 lbs.-150 lbs. Each
- Light-Duty Soft-Close / Open - Specify “SCBY-LITE”  
Both Directions Order (2) “SCBY-LITE” for Doors 65 lbs.-115 lbs. Each
- Bottom Channel Guide “SL-BCG” (Page SL17)
- Sidewall Mount Brackets “SWBP-BRKT” (Page SL18)



# SIDE WALL MOUNT



## TOP MOUNT TRACK SYSTEM

- ▶ Commercial Grade for 1 $\frac{3}{8}$ " To 1 $\frac{3}{4}$ " Doors
- ▶ For Sliding Doors up to 250 lbs. Each
- ▶ ANSI/BHMA A156.14 Grade 1 Certified to 100,000 Cycles Including Soft-Close Feature
- ▶ Hangers With Heavy-Duty Ball Bearing Wheels
- ▶  $\frac{3}{8}$ " Clearance Between Wall and Door on 1 $\frac{3}{4}$ " Thick Doors
- ▶ Meets ADA Push Force Requirements
- ▶ 5-Year Warranty

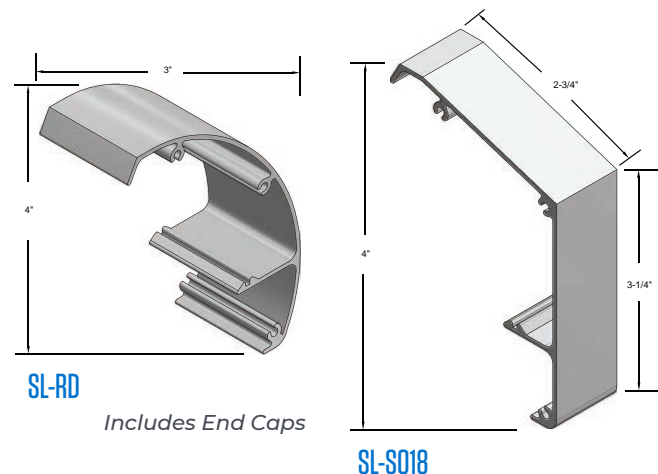
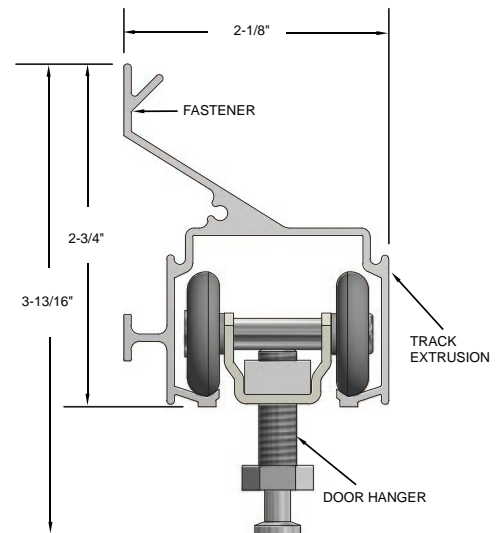
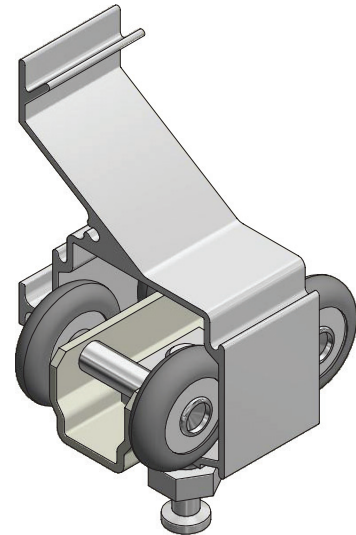
SKU	TRACK LENGTH
SLAL-250-SW-48	48"
SLAL-250-SW-60	60"
SLAL-250-SW-72	72"
SLAL-250-SW-96	96"
SLAL-250-SW-144	144"

### Complete Kits Include:

- (1) Track – Mill Finish
- (1) Universal Hardware Pack, Consists Of:
  - (2) Ball Bearing Heavy-Duty Hangers
  - (2) Snap-In Door Brackets
  - (2) In-Track Stops
  - (1) Angle Stop
  - (1) Bumper Stop
  - (1) Door Guide
  - Heavy-Duty Floor Guides

### OPTIONS:

- ▶ Soft-Close / Open – Specify "SC"  
For Both Directions Order "SCBY" for Doors 120 lbs.-150 lbs. Each
- ▶ Light-Duty Soft-Close / Open - Specify "SC-LITE"  
For Both Directions Order "SCBY-LITE" for Doors 65 lbs.-115 lbs. Each
- ▶ Wall Mounted Guide "SL-WG" – included in Universal Hardware Pack (Page SL17)
- ▶ Bottom Channel Guide "SL-BCG" (Page SL17)
- ▶ Snap-On Fascia "SL-RD, SL-SQ18" - Clear Anodized – Shown Right



# SIDE WALL MOUNT LOW PROFILE



## TOP MOUNT TRACK SYSTEM

- Commercial Grade for 1 $\frac{3}{8}$ " To 1 $\frac{3}{4}$ " Doors
- For Sliding Doors up to 250 lbs. Each
- Hangers With Heavy-Duty Ball Bearing Wheels
- $\frac{3}{8}$ " Clearance Between Wall and Door on 1 $\frac{3}{4}$ " Thick Doors
- Meets ADA Push Force Requirements
- 5-Year Warranty

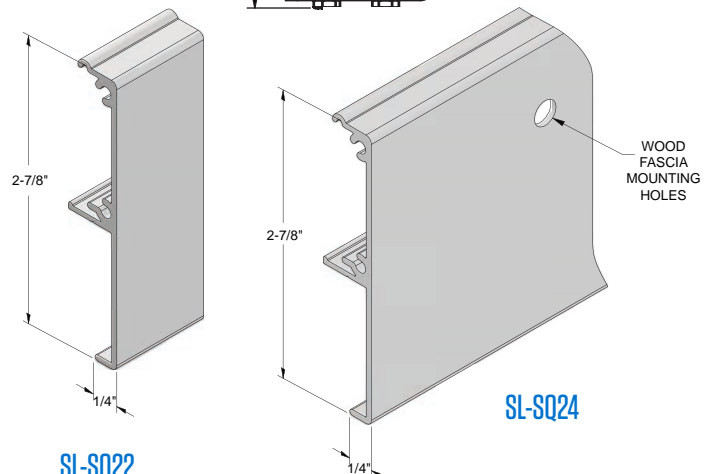
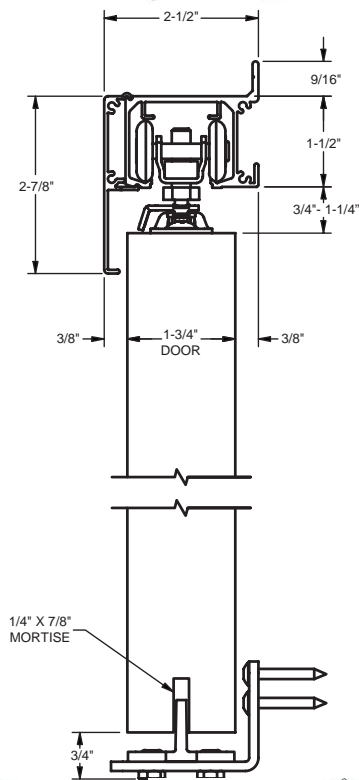
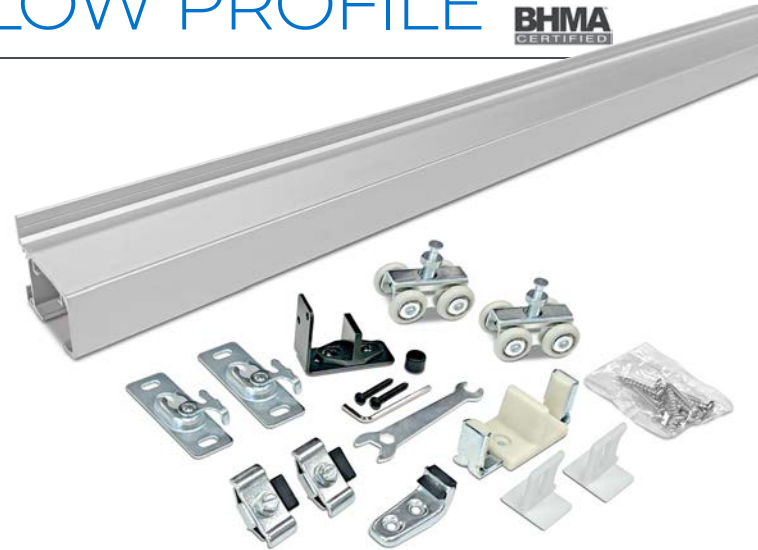
SKU	TRACK LENGTH
SLAL-250-SWLP-60	60"
SLAL-250-SWLP-72	72"
SLAL-250-SWLP-96	96"
SLAL-250-SWLP-144	144"

### Complete Kits Include:

- (1) Track – Clear Anodized Aluminum
- (1) Universal Hardware Pack, Consists Of:
  - (2) Ball Bearing Heavy-Duty Hangers
  - (2) Snap-In Door Brackets
  - (2) In-Track Stops
  - (1) Angle Stop
  - (1) Bumper Stop
  - (1) Door Guide
  - Heavy-Duty Floor Guides

### OPTIONS:

- Soft-Close / Open – Specify "SC"  
For Both Directions Order "SCBY" for Doors 120 lbs.-150 lbs. Each
- Light-Duty Soft-Close / Open - Specify "SC-LITE"  
For Both Directions Order "SCBY-LITE" for Doors 65 lbs.-115 lbs. Each
- Wall Mounted Guide "SL-WG" – included in Universal Hardware Pack (Page SL17)
- Bottom Channel Guide "SL-BCG" (Page SL17)
- Snap-On Fascia *Shown Right*. End Caps Included with Fascia. SL-SQ22 Clear Anodized Fascia and SL-SQ24 Mill Finished Fascia with Holes for Mounting Wooden Valance by Others.



# POCKET DOOR



## TOP MOUNT TRACK SYSTEM

- Commercial Grade for 1 $\frac{3}{8}$ " To 1 $\frac{3}{4}$ " Doors
- For Sliding Doors up to 250 lbs. Each
- ANSI/BHMA A156.14 Grade 1 Certified to 100,000 Cycles Including Soft-Close Feature
- Hangers With Heavy-Duty Ball Bearing Wheels
- Meets ADA Push Force Requirements
- 5-Year Warranty

SKU	TRACK LENGTH
SLAL-250-PD-48	48"
SLAL-250-PD-60	60"
SLAL-250-PD-72	72"
SLAL-250-PD-96	96"
SLAL-250-PD-144	144"

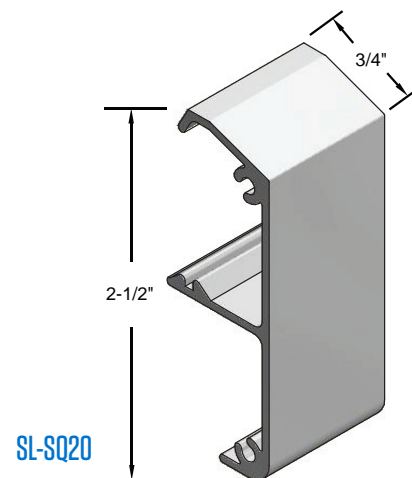
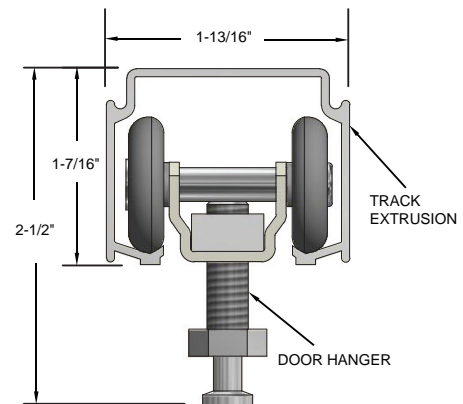
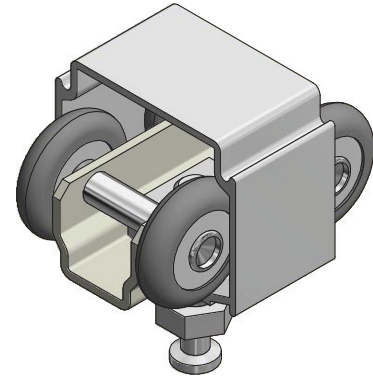
### Order Two Sets for Bi-Parting Applications

#### Complete Kits Include:

- (1) Track – Mill Finish
- (1) Universal Hardware Pack, Consists Of:
  - (2) Heavy-Duty Ball Bearing Hangers
  - (2) Snap-In Door Brackets
  - (2) In-Track Stops
  - (1) Angle Stop
  - (1) Bumper Stop
  - (1) Door Guide
  - Heavy-Duty Floor Guides

### OPTIONS:

- Soft-Close / Open – Specify "SC"  
For Both Directions Order "SCBY" for Doors 120 lbs.-150 lbs. Each
- Light-Duty Soft-Close / Open - Specify "SC-LITE"  
For Both Directions Order "SCBY-LITE" for Doors 65 lbs.-115 lbs. Each
- Wall Mounted Guide "SL-WG" (Page SL17)
- Bottom Channel Guide "SL-BCG" (Page SL17)
- Snap-On Fascia "SL-SQ20" – Clear Anodized – *Shown Right*



# POCKET DOOR FRAME KIT



## TOP MOUNT TRACK SYSTEM

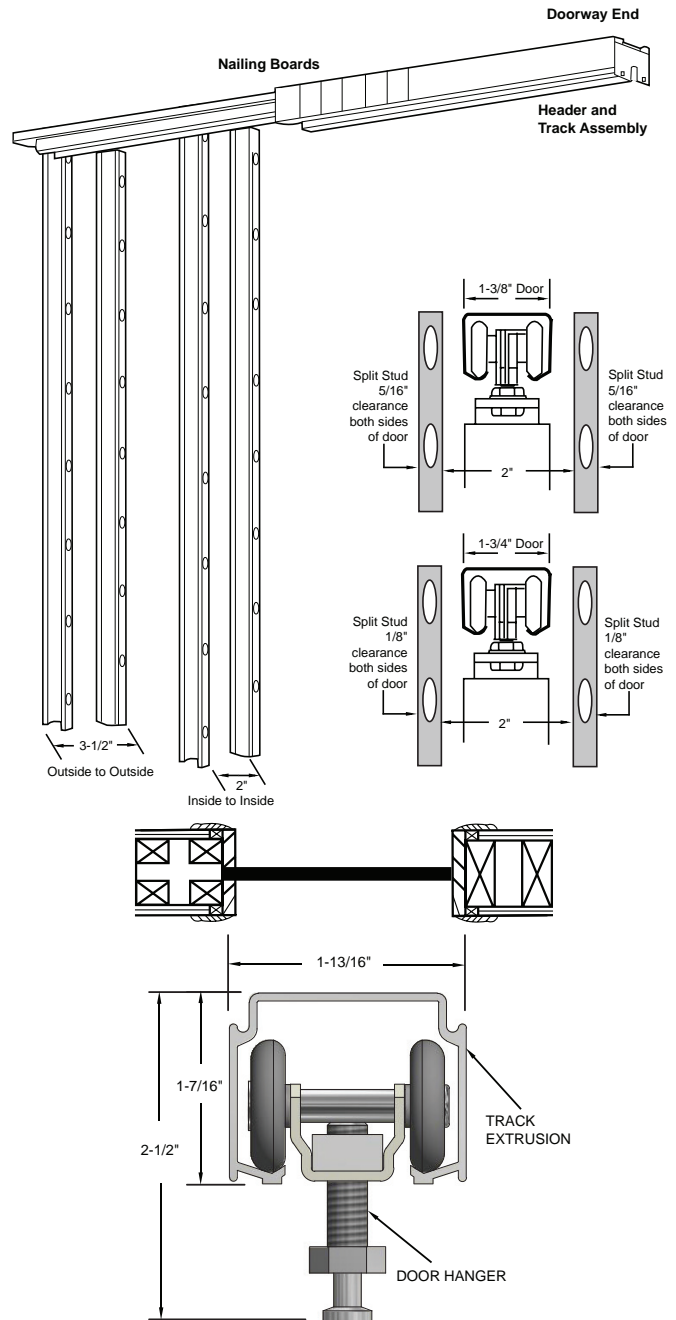
- ▶ Commercial Grade for 1 $\frac{3}{8}$ " To 1 $\frac{3}{4}$ " Doors
- ▶ For Sliding Doors up to 250 lbs. Each
- ▶ ANSI/BHMA A156.14 Grade 1 Certified to 100,000 Cycles Including Soft-Close Feature
- ▶ Hangers With Heavy-Duty Ball Bearing Wheels
- ▶ Meets ADA Push Force Requirements
- ▶ 5-Year Warranty
- ▶ Patent Pending

SKU	APPLICATION	FOR UP TO:
SLAL-250-PDKIT	4" Wood or Metal Stud	3/0 x 7/0
SLAL-250-PDKIT-48"DR	4" Wood or Metal Stud	4/0 x 7/0
SLAL-250-PDKIT-6	6" Wood Stud (5 $\frac{1}{2}$ " Header)	3/0 x 7/0
SLAL-250-PDKIT-6-48"	6" Wood Stud (5 $\frac{1}{2}$ " Header)	4/0 x 7/0
SLAL-250-PDKIT-6M	6" Metal Stud (6" Header)	3/0 x 7/0
SLAL-250-PDKIT-6M-48"	6" Metal Stud (6" Header)	4/0 x 7/0

### Order Two Sets for Bi-Parting Applications

#### Complete Kits Include:

- (1) Header Track Assembly
- (1) Universal Hardware Pack, Consists Of:
  - (2) Ball Bearing Heavy-Duty Hangers
  - (2) Snap-In Door Brackets
  - (2) In-Track Stops
  - (1) Angle Stop
  - (1) Bumper Stop
  - (1) Door Guide
  - (1) 1 $\frac{3}{4}$ " Thick Door Adaptor Kit
- Included in 2x4 Stud Wall Kits
- Heavy-Duty Floor Guides
- (1) Pocket Frame Kit
- Jamb Stiffeners
  - (4) 36" Openings
  - (6) 48" Openings
- Floor Brackets
  - (2) 36" Openings
  - (3) 48" Openings
- (1) End Bracket



### OPTIONS:

- ▶ Soft-Close / Open – Specify “SC”  
For Both Directions Order “SCBY” for Doors 120 lbs.-150 lbs. Each
- ▶ Light-Duty Soft-Close / Open - Specify “SC-LITE”  
For Both Directions Order “SCBY-LITE” for Doors 65 lbs.-115 lbs. Each
- ▶ Wall Mounted Bottom Guide “SL-WG”
- ▶ Bottom Channel Guide “SL-BCC” (Page SL17)
- ▶ Converging Kit Used to Join Headers in Bi-Parting Openings “SLAL-CNVG-KIT”

# POCKET FRAME KIT UP TO 9/0 DOORS



Doorway End

## TOP MOUNT TRACK SYSTEM

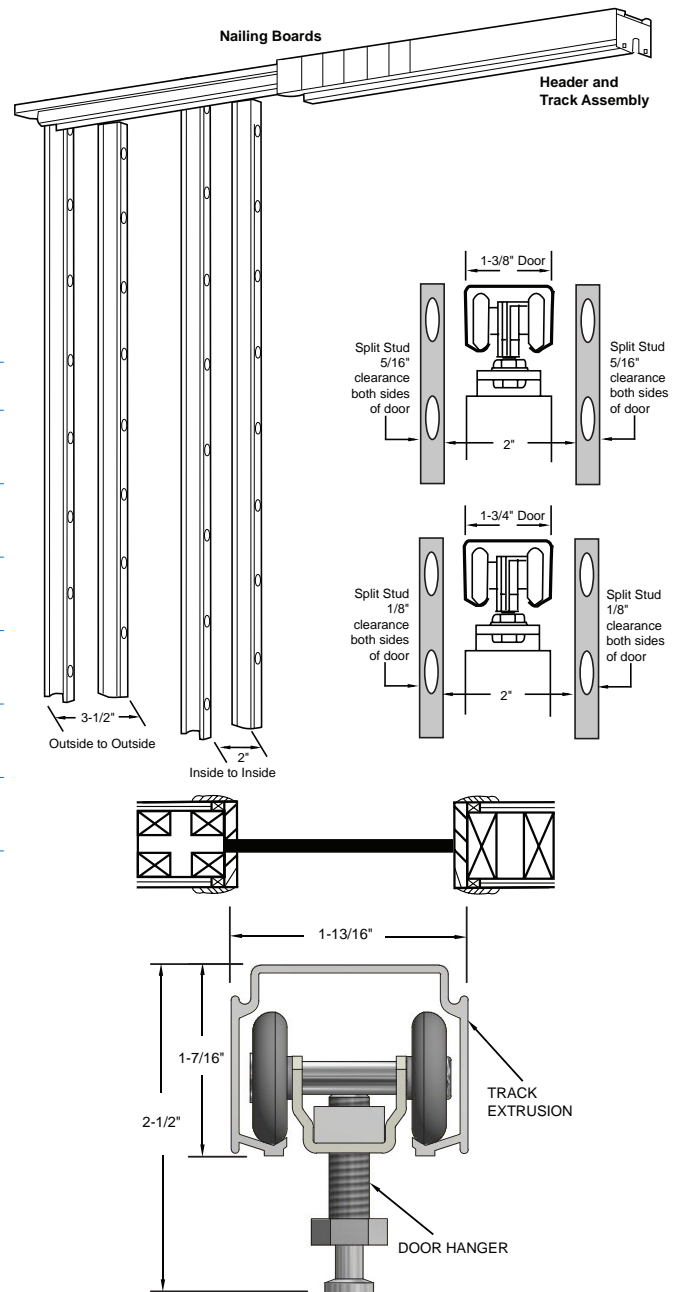
- Commercial Grade for 1 $\frac{3}{8}$ " To 1 $\frac{3}{4}$ " Doors
- For Sliding Doors up to 250 lbs. Each
- ANSI/BHMA A156.14 Grade 1 Certified to 100,000 Cycles Including Soft-Close Feature
- Hangers With Heavy-Duty Ball Bearing Wheels
- Meets ADA Push Force Requirements
- 5-Year Warranty
- Patent Pending

SKU	APPLICATION	FOR UP TO:
SLAL-250-PDKIT-EXT	4" Wood or Metal Stud	3/0 x 9/0
SLAL-250-PDKT-EXT-48	4" Wood or Metal Stud	4/0 x 9/0
SLAL-250-PDKIT-6-EXT	6" Wood Stud (5 $\frac{1}{2}$ " Header)	3/0 x 9/0
SLAL-250-PDK-6-EXT48"	6" Wood Stud (5 $\frac{1}{2}$ " Header)	4/0 x 9/0
SLAL-250-PDKT-6M-EXT	6" Metal Stud (6" Header)	3/0 x 9/0
SLAL-250-PK-6M-EXT48	6" Metal Stud (6" Header)	4/0 x 9/0

### Order Two Sets for Bi-Parting Applications

#### Complete Kits Include:

- (1) Header Track Assembly
- (1) Universal Hardware Pack, Consists Of:
  - (2) Ball Bearing Heavy-Duty Hangers
  - (2) Snap-In Door Brackets
  - (2) In-Track Stops
  - (1) Angle Stop
  - (1) Bumper Stop
  - (1) Door Guide
  - (1) 1 $\frac{3}{4}$ " Thick Door Adaptor Kit Included in 2x4 Stud Wall Kits
- (1) Pocket Frame Kit
  - Jamb Stiffeners
    - (4) 36" Openings
    - (6) 48" Openings
  - (4) Jamb Stiffener Extensions
  - (4) Jamb Splice Brackets
  - Floor Brackets
    - (2) 36" Openings
    - (3) 48" Openings
  - (1) End Bracket



### OPTIONS:

- Soft-Close / Open – Specify “SC”  
For Both Directions Order “SCBY” for Doors 120 lbs.-150 lbs. Each
- Light-Duty Soft-Close / Open - Specify “SC-LITE”  
For Both Directions Order “SCBY-LITE” for Doors 65 lbs.-115 lbs. Each
- Wall Mounted Bottom Guide “SL-WG”
- Bottom Channel Guide “SL-BCG” (Page SL17)
- Converging Kit Used to Join Headers in Bi-Parting Openings “SLAL-CNVG-KIT”

STAINLESS STEEL

# BARN DOOR TOP MOUNT

- ▶ Fits 1" To 2" Thick Door Panel
- ▶ Brushed Stainless Steel 304
- ▶ Side Wall Mount
- ▶ Nylon Coated Stainless Steel Wheels for Smooth Operation
- ▶ For Sliding Doors up to 220 lbs. Each
- ▶ Meets ADA Push Force Requirements
- ▶ 5-Year Warranty
- ▶ Order Two Sets for Bi-Parting Applications



## STAINLESS STEEL TOP MOUNT ROUND TRACK SYSTEM

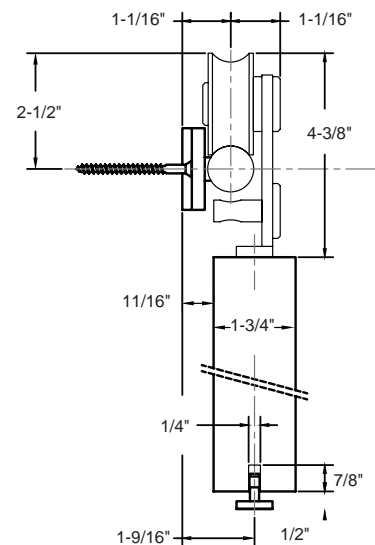
SKU	TRACK LENGTH
SLSS1-6	78 3/4"
SLSS1-8	98 7/16"

### Complete Kits Include:

- (1) Track
- (2) Door Stops
- (2) Hangers
- (1) Floor Guide

SLSS1-6 includes: (5) Wall Attachments

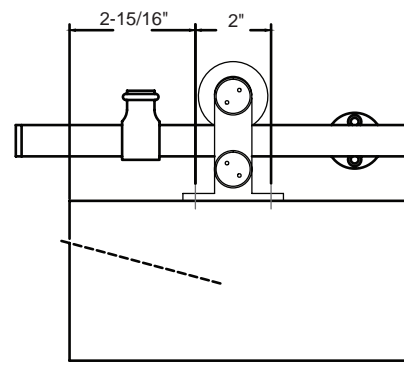
SLSS1-8 includes: (6) Wall Attachments



## STAINLESS STEEL TOP MOUNT ROUND TRACK SYSTEM (WITH SOFT-CLOSE)

SKU	TRACK LENGTH
SLSS1-6-SC*	78 3/4"
SLSS1-8-SC*	98 7/16"

\* Soft-Close / Open Hardware is Included for Both Directions in Addition to the SLSS1-6 and SLSS1-8 Complete Kit Contents



STAINLESS STEEL

# BARN DOOR SIDE MOUNT

- ▶ Fits 1 3/4" Thick Door Panel
- ▶ Brushed Stainless Steel 304
- ▶ Side Wall Mount
- ▶ Nylon Coated Stainless Steel Wheels for Smooth Operation
- ▶ For Sliding Doors up to 220 lbs. Each
- ▶ Meets ADA Push Force Requirements
- ▶ 5-Year Warranty
- ▶ Order Two Sets for Bi-Parting Applications



## STAINLESS STEEL SIDE MOUNT ROUND TRACK SYSTEM

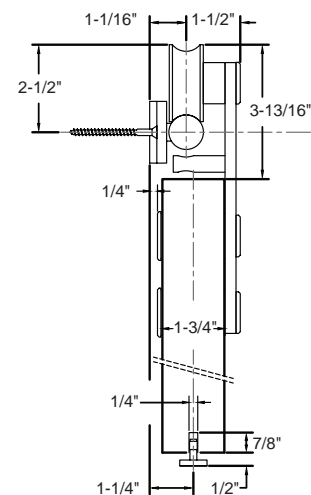
SKU	TRACK LENGTH
SLSS2-6	78 3/4"
SLSS2-8	98 7/16"

### Complete Kits Include:

- |             |                 |
|-------------|-----------------|
| (1) Track   | (2) Door Stops  |
| (2) Hangers | (1) Floor Guide |

SLSS2-6 includes: (5) Wall Attachments

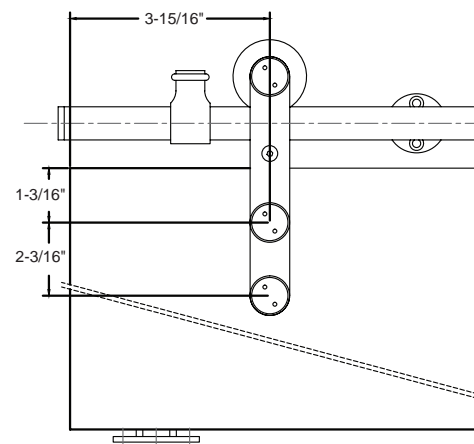
SLSS2-8 includes: (6) Wall Attachments



## STAINLESS STEEL SIDE MOUNT ROUND TRACK SYSTEM (WITH SOFT-CLOSE)

SKU	TRACK LENGTH
SLSS2-6-SC*	78 3/4"
SLSS2-8-SC*	98 7/16"

\* Soft-Close / Open Hardware is Included for Both Directions in Addition to the SLSS1-6 and SLSS1-8 Complete Kit Contents







# BARN DOOR SIDE MOUNT

- ▶ Fits 1<sup>3</sup>/<sub>8</sub>" To 1<sup>3</sup>/<sub>4</sub>" Thick Door Panel
- ▶ Satin Nickel Electroplated Steel "SN"  
Black Powder Coated Steel "BL"
- ▶ Side Wall Mounted Track
- ▶ Solid Nylon Wheels for Smooth Operation
- ▶ Standard Kits for Sliding Doors up to 220 lbs.  
Each. Kits with Soft-Close for Sliding Doors up to 176 lbs. Each
- ▶ Meets ADA Push Force Requirements
- ▶ 5-Year Warranty
- ▶ Order Two Sets for Bi-Parting Applications



## FLAT TRACK SIDE MOUNT HANGER SYSTEM

SKU	FINISH	TRACK LENGTH
SL-SNFT2-6	SATIN NICKEL	72"
SL-SNFT2-8	SATIN NICKEL	96"
SL-BLFT2-6	BLACK POWDER COAT	72"
SL-BLFT2-8	BLACK POWDER COAT	96"

### Complete Kits Include:

- (1) Track
- (2) Door Stops
- (2) Hangers
- (1) Floor Guide

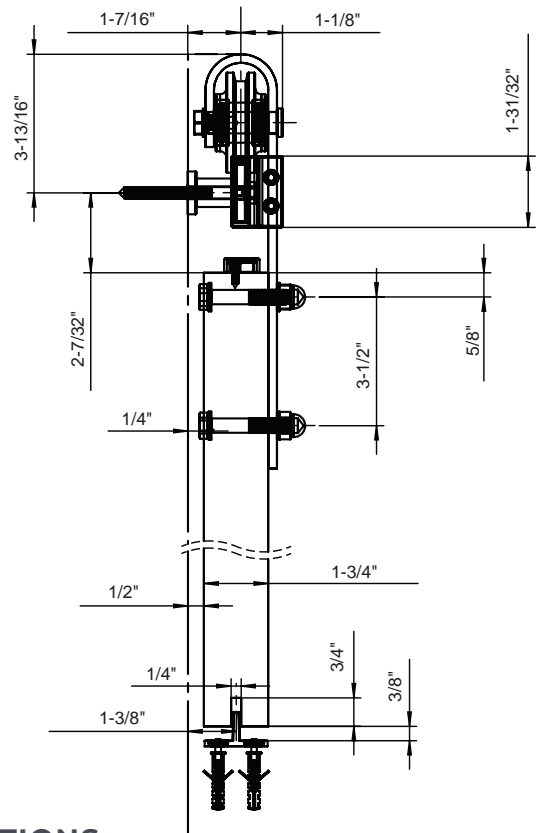
6' Kit includes: (5) Wall Attachments

8' Kit includes: (6) Wall Attachments

## FLAT TRACK SIDE MOUNT HANGER SYSTEM (WITH SOFT-CLOSE)

SKU	FINISH	TRACK LENGTH
SL-SNFT2-6-SC	SATIN NICKEL	72"
SL-SNFT2-8-SC	SATIN NICKEL	96"
SL-BLFT2-6-SC	BLACK POWDER COAT	72"
SL-BLFT2-8-SC	BLACK POWDER COAT	96"

\* Soft-Close / Open Hardware is Included for Both Directions in Addition to the 6' and 8' Complete Kit Contents



### OPTIONS:

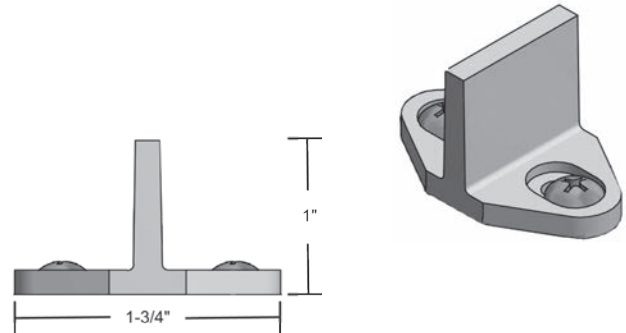
- ▶ "SL-SNFT-DWS" Satin Nickel Drywall Spacers for 6' and 8' Tracks
- ▶ "SL-BLFT-DWS" Black Drywall Spacers for 6' and 8' Tracks
- ▶ "SL-BCG" Bottom Channel Guide
- ▶ Net Cut to Length on Black Powder Coated Finish Only
- ▶ "SL-SNFT-CP" and "SL-BLFT-CP" Track Coupler for Joining Two Tracks Together

# ACCESSORIES

## FLOOR GUIDE

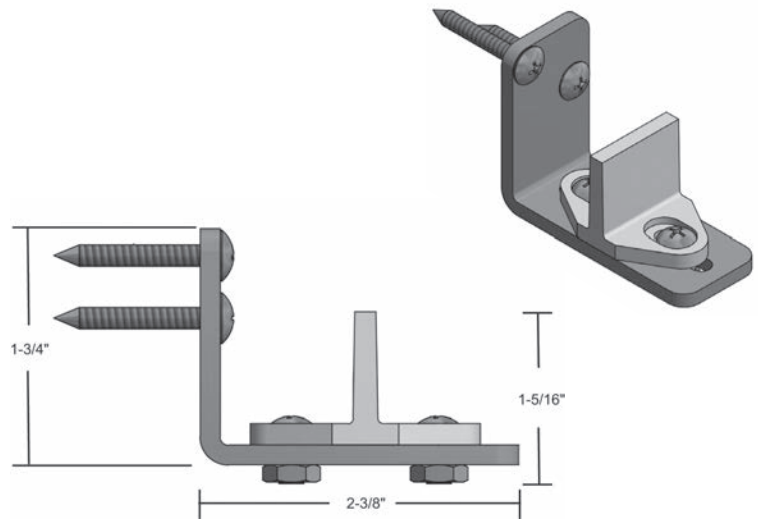
- ▶ Furnished Standard With Stainless Steel and Commercial Grade Aluminum Sliding Door Hardware Sets

SKU	MATERIAL/FINISH
SLSS-FG	Black Nylon



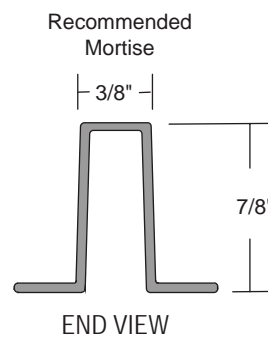
## WALL MOUNTED GUIDE

SKU	MATERIAL/FINISH
SL-WG	Black Nylon Floor Guide on Steel Bracket Dark Bronze Powder Coat #8-18 x 1-1/4" Truss Head Self-Tapping Screws



## BOTTOM CHANNEL GUIDE

SKU	MATERIAL/LENGTH/COLOR
SL-BCG	Polypropylene 60" Dark Brown

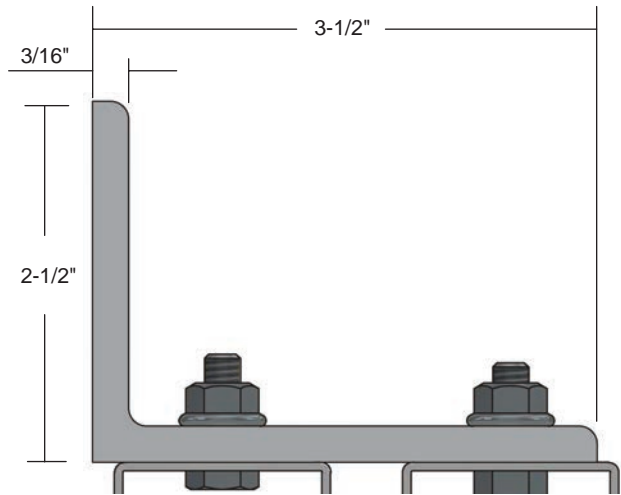


# ACCESSORIES

## SIDEWALL MOUNT BY-PASS BRACKET

SKU	MATERIAL/LENGTH/COLOR
SWBP-BRKT	3/16" Steel Gray Finish

Use 3" From Each End and Not More Than 24" on Center

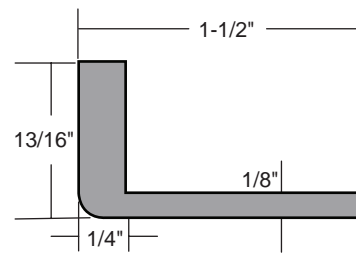


Fasteners Not Furnished

## SIDEWALL MOUNT LOW-PROFILE BRACKET

SKU	MATERIAL/LENGTH/COLOR
SWPD-LPBRKT	1 5/8" Mill Finish Aluminum

Use 3" From Each End and Not More Than 24" on Center



# ACCESSORIES

FOR ALUMINUM SLIDING DOOR HARDWARE



## SOFT-CLOSE OPTIONS

### SC

For Single Sliding Aluminum Hardware Sets with Doors 120 lbs. – 150 lbs. Each

- Designed for Doors 120 lbs. – 150 lbs. Each
- Minimum Door Width When Using One Soft-Close Device on a Single Door is 16"
- Minimum Door Width When Using Two Soft-Close Devices for Soft-Close Both Directions on a Single Door is 31"
- Slows Travel of the Door to Softly Close
- Soft-Close for Single Sliding Aluminum Hardware Sets
- For Both Directions Order "SCBY"



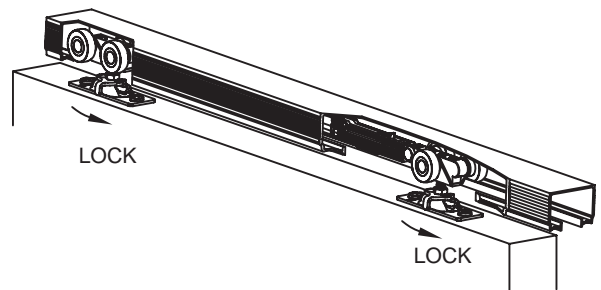
#### Ordering Info

SC	Single
SCBY	Set of Two

### SC-LITE

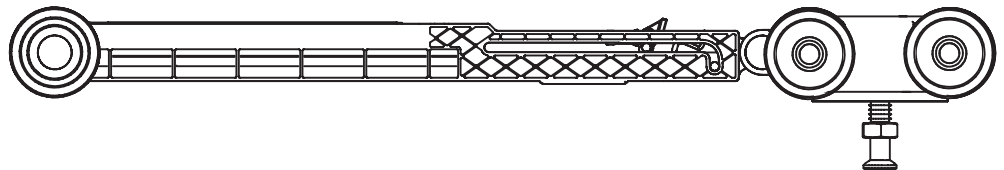
For Single Sliding Aluminum Hardware Sets with Doors 65 lbs. – 115 lbs. Each

- Designed for Doors 65 lbs. – 115 lbs. Each
- Minimum Door Width When Using One Soft-Close Device on a Single Door is 12.5"
- Minimum Door Width When Using Two Soft-Close Devices for Soft-Close Both Directions on a Single Door is 25"
- Slows Travel of the Door to Softly Close
- For By-Pass and Bi-Parting Sliding Aluminum Hardware Sets. For Both Directions Order (2) Sets "SCBY-LITE"
- For Soft-Close Both Directions on Sidewall and Pocket Door Applications



#### Ordering Info

SC-LITE	Single
SCBY-LITE	Set of Two

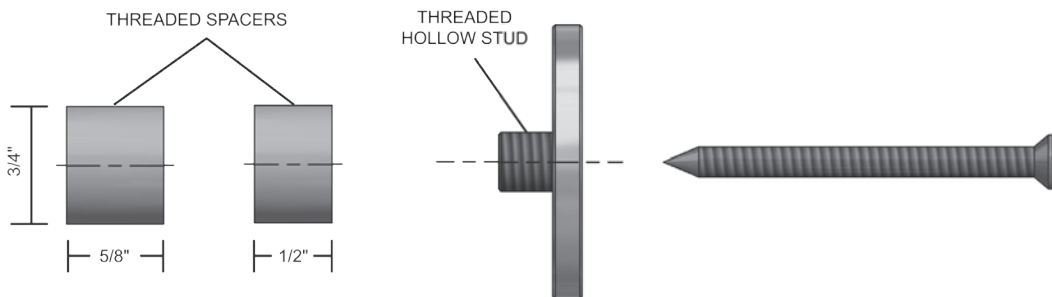


# ACCESSORIES

## DRYWALL SPACER FOR USE WITH SLSS1 AND SLSS2 KITS

- Spacer Kits Include Two Sizes of Spacers  
Allowing Installation Directly to the Blocking  
Behind the Drywall

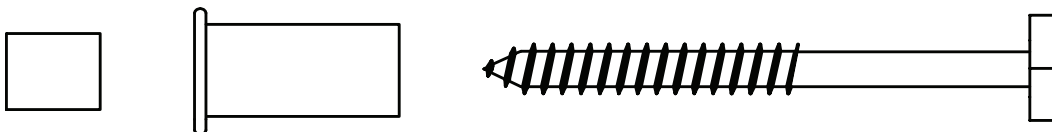
SKU	# OF SPACERS/TRACK LENGTH
SLSS-DWS-6	5 Total Spacers/6' Track
SLSS-DWS-8	6 Total Spacers/8' Track



## DRYWALL SPACER FOR USE WITH FLAT TRACK HARDWARE

- Spacer Kits Include Two Sizes of Spacers  
( $\frac{1}{2}$ " and  $\frac{5}{8}$ ") Allowing Installation Directly  
to the Blocking Behind the Drywall

SKU	DESCRIPTION
SL-BLFT-DWS	Black Drywall Spacer Kit. Works with 6' and 8' Track Lengths
SL-SNFT-DWS	Satin Nickel Drywall Spacer Kit. Works with 6' and 8' Track Lengths

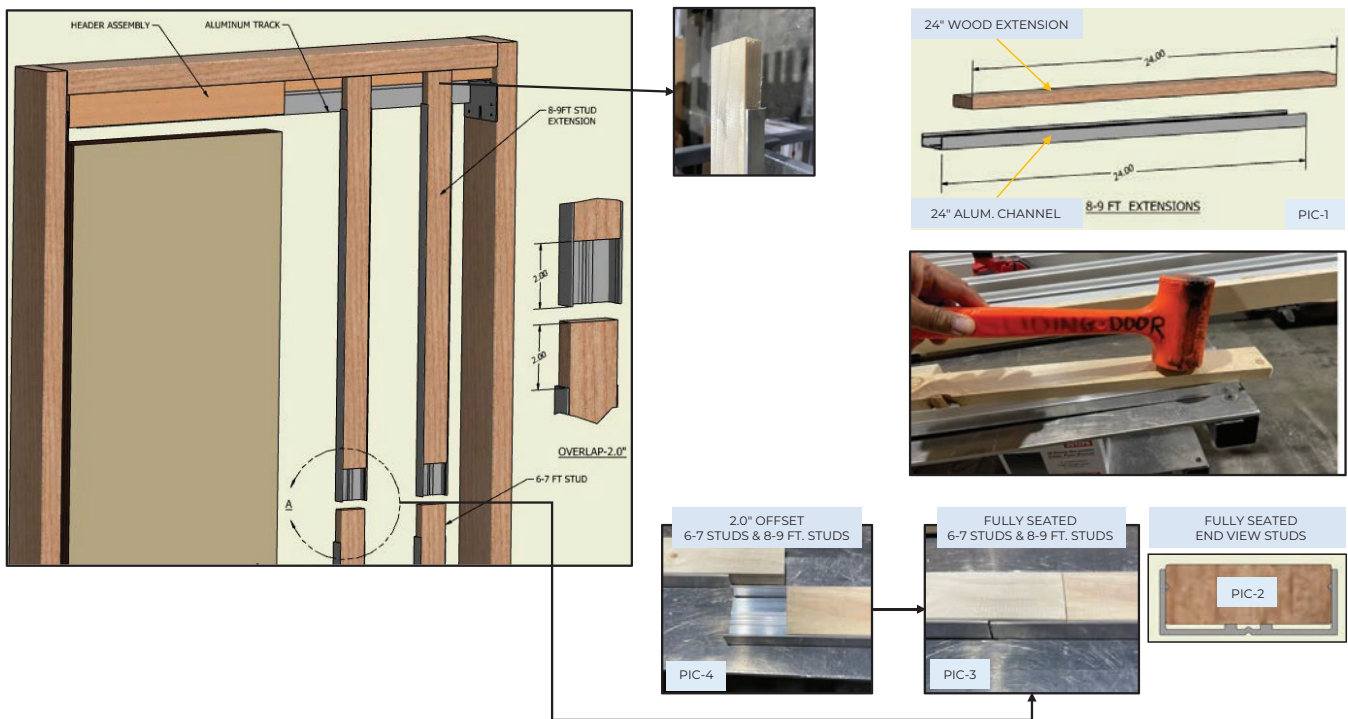


# ACCESSORIES

## POCKET DOOR KIT-7'-9" EXTENSION KIT

### SLAL EXT KIT, SLAL EXT KIT 48"DR

- ▶ Pocket Door Frame Extension Kits Include:
  - + SLAL EXT KIT: (4) Wood Frame Extensions, (4) Aluminum Frame Extensions
  - + SLAL EXT KIT 48"DR: (6) Wood Frame Extensions, (6) Aluminum Frame Extensions
- ▶ Allows Standard PDKIT to be Extended for Use on Door Opening Heights up to 9'

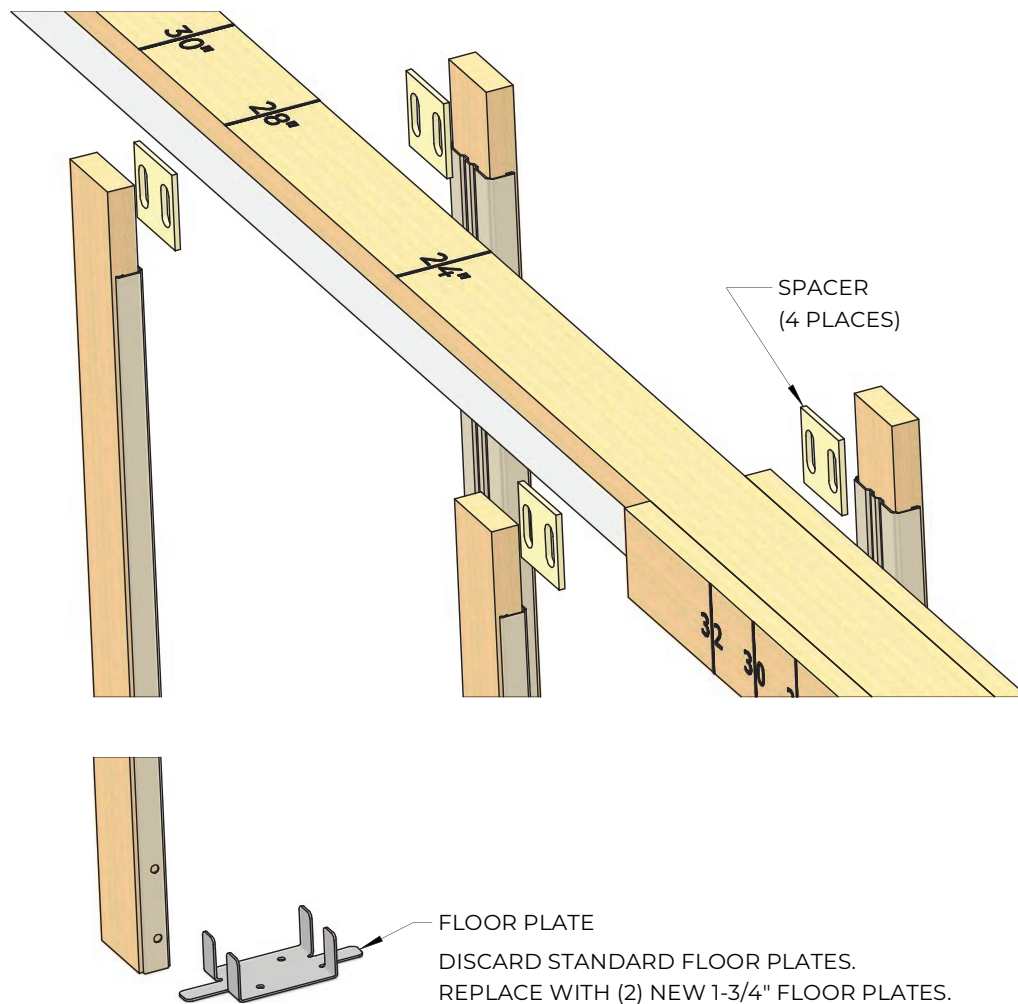


# ACCESSORIES

## ADAPTER KIT

- ▶ Used When Installing 1 $\frac{3}{4}$ " Thick Doors With SLAL-250-PDKIT, SLAL-250-PDKIT-EXT, SLAL-250-PDKIT-48"DR and SLAL-250-PDKT-EXT-48.
- ▶ Includes 4 Upper Spacers and 2 Floor Brackets to Accommodate 1 $\frac{3}{4}$ " Thick Doors
- ▶ SLAL-250-PDKIT-48"DR and SLAL-250-PDKT-EXT-48 Come With 6 Split Studs.  
SLAL-134-KIT Comes With 4 Spacers and 2 Floor Plates. Be Sure to Order Enough SLAL-134-KIT for 6 Split Studs per Opening.

SKU	MATERIAL/FINISH
SLAL-134-KIT	Nylon Spacers / Zinc Coated Steel Floor Plates

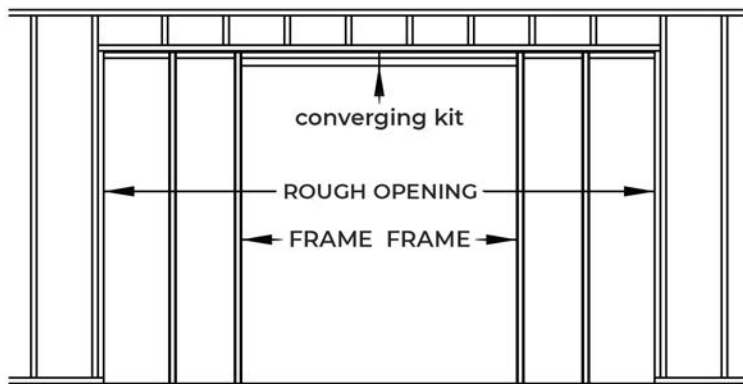
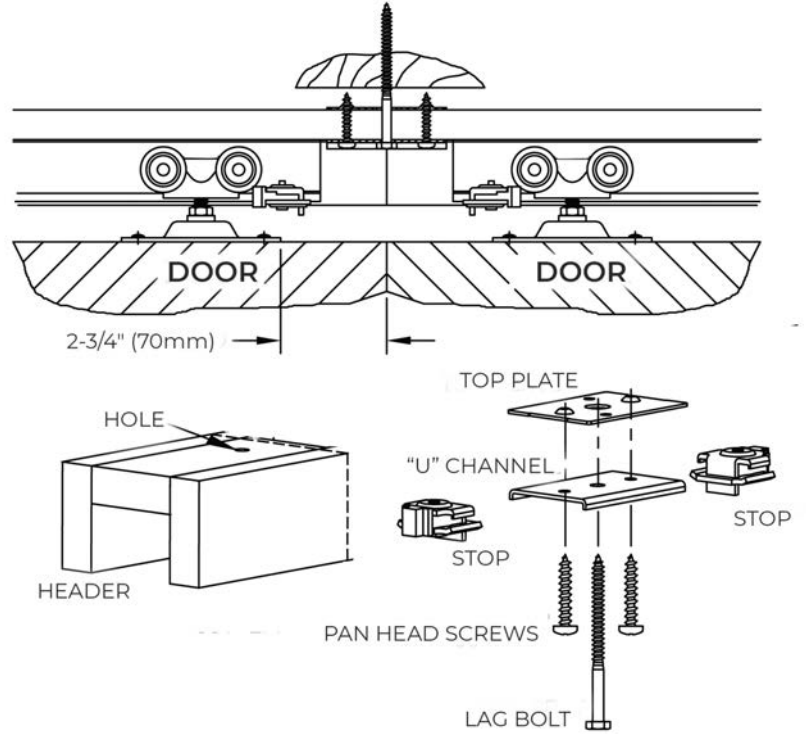


# ACCESSORIES

## CONVERGING KIT

- ▶ Used When Joining Two PDKIT Headers Together for a Bi-Parting Pocket Opening
- ▶ Includes 2 Mounting Plates, 2 Pan Head Screws and 1 Lag Bolt

SKU	MATERIAL/FINISH
SLAL-CNVG-KIT	Zinc Coated Steel





# NOTES

---

# NOTES

---

# NOTES

---



For the most up-to-date  
Sliding Door Hardware  
Catalog scan the QR code  
or visit [ngp.com](http://ngp.com).



**[ngp.com](http://ngp.com)**  
**1-800-NGP-RUSH**

FAX: (800) 255-7874  
QUOTES: [quotes@ngp.com](mailto:quotes@ngp.com)  
ORDERS: [orders@ngp.com](mailto:orders@ngp.com)

**NGP MEMPHIS**  
4985 East Raines Road  
Memphis, TN 38118

**CARSON CITY**  
3689 Arrowhead Drive  
Carson City, NV 89706