

Mechanical Locks



QMS/QME 100 Series: Grade 1 Heavy-Duty Mortise Locks

Performance Features

- Tested to meet Grade 1 specification of 1,000,000 cycles.
- Clutching mechanism standard.
- Thru-bolt design and heavy-duty spring tension provides longer performance life and prevents lever sag.
- ADA-compliant thumbturn.
- Mortise case is easily field reversible.
- Pre-assembled trims with spring-loaded spindles automatically adjust to door thickness and reduce installation time.
- Partial security separator prevents spindle manipulation.
- Anti-friction throwbolt.

Certifications

- ANSI/BHMA A156.13 – Grade 1
- UL/cUL listed (3 hours) for “A” label single-door applications (4' x 8') (1.219m x 2.438m)
- UL10C/UBC 7-2 (1997) Positive Pressure Rated
- UL10B Pressure Rated
- ADA-Compliant ANSI A117.1 Accessibility Code
- California State Reference Code (formerly Title 19 – Fire Marshal)



Product Specifications

- Template – 3 5/8" (92mm).
- Solid forged brass trim construction.
- Dual 8mm spindles.
- 1" (25.4mm) stainless steel deadbolt.
- Floating mounting tabs adjust to door bevel.
- Toggle button locking.
- Heavy gauge steel armor faceplate.
- Door thickness
 - Sectional: 1 3/4" - 2" (44.5mm-51mm) standard; (57mm) optional
 - Escutcheon: 1 3/4" - 2 1/4" (44.5mm-57mm) standard

Keying

- 6-pin or 5-pin cylinders. Many keying options available from our factory to include, but not limited to, master keying, grand master keying, and construction keying.
- 2 keys per lockset.
- Offered with the following keyway options: BF-BEST "F" SFIC, KW-Kwikset, WE-Weiser, SC-Schlage, GA-Yale, LA-Sargent, & LC-Less Cylinder. Consult factory for other cylinder options.

Warranty

- Lifetime Mechanical, 3-year finish*, 1-year electrical

*(613/US10B carries no finish warranty)



Escutcheon Sierra (E)

Escutcheon Slate (A)



Sectional Summit (M)

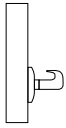
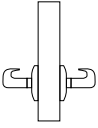
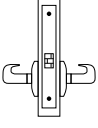
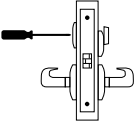
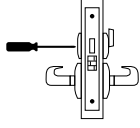
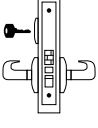
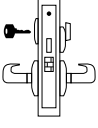
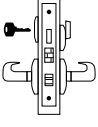
Functions

ANSI	Series	Description
—	QMS/QME120	Single Dummy
—	QMS/QME122	Full Dummy
F01	QMS/QME130	Passage
F22	QMS/QME140	Privacy
F19	QMS/QME145	Privacy w/ Deadbolt
F04	QMS/QME150	Entry
F13	QMS/QME152	Exit
F20	QMS/QME154	Corridor
F11	QMS/QME158	Dormitory
F05	QMS/QME160	Classroom
F32	QMS/QME162	Classroom Security
F09	QMS/QME164	Apartment
F07	QMS/QME170	Storeroom
F30	QMS/QME172	Institutional
F14	QMS/QME174	Store Door

Finishes

BHMA	US	Description
605	US3	Bright Brass
613	US10B	Oil Rubbed Bronze
619	US15	Satin Nickel
625	US26	Bright Chrome
626	US26D	Satin Chrome

QMS/QME 100 Series: Grade 1 Heavy-Duty Mortise Locks

Functions	ANSI		Description	Latch Bolt	Deadbolt	Auxiliary	Toggle	Cylinders	Case Qty
QMS/ QME120 Single Dummy	—		Lever trim on one side (no mortise case).						4
QMS/ QME122 Full Dummy	—		Lever trim on both sides (no mortise case).						4
QMS/ QME130 Passage	F01		Latch bolt operated by lever from either side at all times.	X					4
QMS/ QME140 Privacy	F22		Latch bolt operated by lever from either side except when outside lever is locked by inside trim or button. Operating inside lever, closing door or operating outside emergency release (accessible under emergency cap) unlocks outside lever.	X					4
QMS/ QME145 Privacy w/ Deadbolt	F19		Latch bolt operated by lever from either side. Deadbolt operated by turn from inside and emergency release from outside (accessible under emergency cap). Operating inside lever retracts both bolts.	X	X				4
QMS/ QME150 Entry	F04		Latch bolt operated by lever from either side except when outside lever is made inoperative by toggle. When outside lever is locked, latch bolt is retracted by key from outside or by operating inside lever. Auxiliary dead latch deadlocks latch bolt.	X		X	X	Sgl	4
QMS/ QME152 Exit	F13		Latch bolt operated by lever from either side. Deadbolt is projected by key from outside and turn piece from inside. Operating inside lever retracts both bolts and unlocks outside.	X	X			Sgl	4
QMS/ QME154 Corridor	F20		Latch bolt operated by lever from either side, except when outside lever is made inoperative by toggle. Deadbolt operated by key outside or turn inside. Key outside operates both bolts. Operating inside lever retracts both bolts and outside remains locked. Latch bolt is deadlocked when outside lever is made inoperative or when the deadbolt is projected. When deadbolt is retracted, lever is unlocked by toggle.	X	X		X	Sgl	4

QMS/QME 100 Series: Grade 1 Heavy-Duty Mortise Locks

Functions	ANSI		Description	Latch Bolt	Deadbolt	Auxiliary	Toggle	Cylinders	Case Qty
QMS/ QME158 Dormitory	F11		Latch bolt operated by lever from either side except when outside lever is made inoperative by toggle. Deadbolt projected by key from either side. Deadbolt retracted by key from outside. Both bolts retracted by inside lever and outside remain locked.	X	X		X	Dbl	4
QMS/ QME160 Classroom	F05		Latch bolt operated by lever from either side except when outside lever is made inoperative by key from outside. Inside lever always operative. Auxiliary dead latch deadlocks latch bolt.	X		X		Sgl	4
QMS/ QME162 Classroom Security	F32		Latch bolt operated by lever from either side except when outside lever is locked from inside or outside by key. When outside lever is locked, latch bolt is retracted by key from inside or outside or by operating inside lever. Auxiliary dead latch deadlocks latch bolt.	X		X		Dbl	4
QMS/ QME164 Apartment	F09		Latch bolt operated by lever from either side, except when outside lever is locked by key from inside. When outside lever is locked, latch bolt is retracted by key from outside or by operating inside lever. Auxiliary dead latch deadlocks latch bolt.	X		X		Dbl	4
QMS/ QME170 Storeroom	F07		Latch bolt operated by key from outside or by operating inside lever. Outside lever is always inoperative. Auxiliary dead latch deadlocks latch bolt.	X		X		Sgl	4
QMS/ QME172 Institutional	F30		Latch bolt operated by key from either side. Both levers always inoperative. Auxiliary dead latch deadlocks latch bolt.	X		X		Dbl	4
QMS/ QME174 Store Door	F14		Latch bolt operated by lever from either side. Deadbolt operated by key from either side.	X	X			Dbl	4

How to Order

QMS/QME 100 Series: Grade 1 Heavy-Duty Mortise Locks

Example

If you ordered: QME160 E626 KW6 KD

You would get: Grade 1 Classroom Mortise Lock, Sierra Lever Escutcheon Trim, Satin Chrome, Kwikset Keyway, Keyed Different.

MECHANICAL LOCKS

20	Single Dummy
22	Full Dummy
30	Passage
40	Privacy
45	Privacy w/ Deadbolt
50	Entry
52	Exit
54	Corridor
58	Dormitory
60	Classroom
62	Classroom Security
64	Apartment
70	Storeroom
72	Institutional
74	Store Door

E	Sierra
M	Summit
A	Slate

KD	Keyed Different
KA	Keyed Alike
SK	Special Keying
	-Construction Keyed
	-Construction Master Keyed
	-Maison Keyed
	-Master Keyed
	-Grand Master Keyed
	-Great Grand Master Keyed
ZB	Zero Bitted

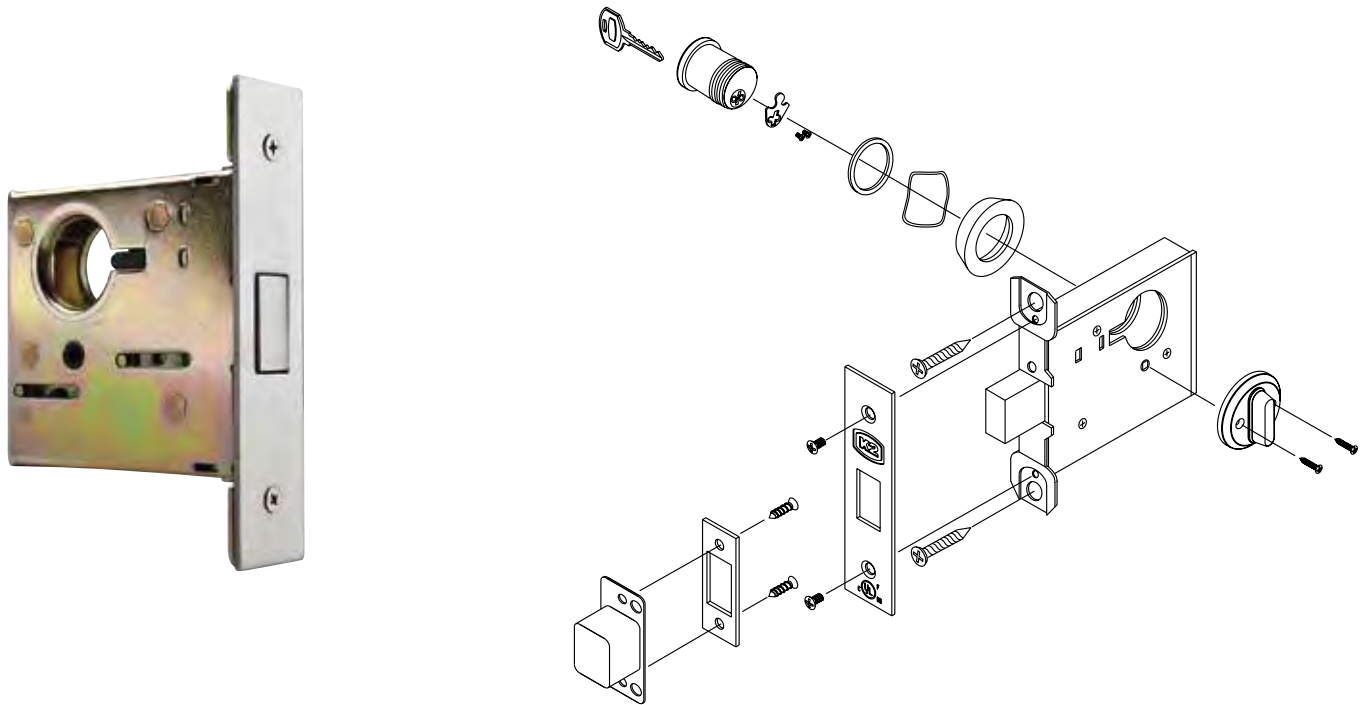
Base Part Number						
Series	Function	Design	Finish	Keyway	# of Pins	Keying
QME1	60	E	626	KW	6	KD

Escutcheon Trim	QME1
Sectional Trim	QMS1

605	Bright Brass
613	Oil Rubbed Bronze
619	Satin Nickel
625	Bright Chrome
626	Satin Chrome

BF	BEST "F" SFIC
KW	Kwikset "KW"
WE	Weiser "E"
SC	Schlage "C"
GA	Yale "GA"
LA	Sargent "LA"
LC	Less Cylinder

QML 100 Series: Grade 1 Heavy-Duty Mortise Deadlocks



Functions	ANSI		Description	Case Qty
QML180 Single Cylinder	E06071		Deadbolt operated by key from outside and by turn from inside.	10
QML182 Double Cylinder	E06061		Deadbolt operated by key from either side.	10
QML184 Cylinder Only	E06061		Deadbolt operated by key from one side only.	10
QML186 Classroom*	E06061		Deadbolt operated by key from outside. Turn on inside retracts but does not project the deadbolt.	10

NOTES: Consult factory for lead times on 605, 619 & 625 finishes.

*Classroom function requires handed cylinder turn. Specify handing when ordering.

How to Order

QML 100 Series: Grade 1 Heavy-Duty Mortise Deadlocks

Example

If you ordered: QML186 626 RH KW6 KD

You would get: Grade 1 Classroom Mortise Lock, Satin Chrome, Right-Hand, Kwikset Keyway, Keyed Different.

80	Single Cylinder
82	Double Cylinder
84	Cylinder Only
86	Classroom

KD	Keyed Different
KA	Keyed Alike
SK	Special Keying
	-Construction Keyed
	-Construction Master Keyed
	-Maison Keyed
	-Master Keyed
	-Grand Master Keyed
	-Great Grand Master Keyed
ZB	Zero Bitted

Base Part Number						
Series	Function	Finish	Handing*	Keyway	# of Pins	Keying
QML1	86	626	RH	KW	6	KD

605	Bright Brass
613	Oil Rubbed Bronze
619	Satin Nickel
625	Bright Chrome
626	Satin Chrome

BF	BEST "F" SFIC
KW	Kwikset "KW"
WE	Weiser "E"
SC	Schlage "C"
GA	Yale "GA"
LA	Sargent "LA"
LC	Less Cylinder

QML186 Only*	
RH	Right Hand
LH	Left Hand

NOTES: Consult factory for lead times on 605, 619 & 625 finishes.

*Classroom function requires handed cylinder turn. Specify handing when ordering.

QCL 100 Series: Grade 1 Heavy-Duty Cylindrical Locks

Performance Features

- Tested to meet Grade 1 specification of 800,000 cycles.
- Standard clutching mechanism provides resistance to damage caused by physical force.
- Thru-bolt design and heavy-duty spring tension provides longer performance life and prevents lever sag.
- Concealed mounting screws.
- Compartmentalized packaging allows for quick and easy installation.

Certifications

- ANSI/BHMA A156.2 Series – Grade 1
- ANSI A117.1 Accessibility Code (ADA Compliant)
- UL/cUL Listed (3 hours) for “A” label single-door applications (4' x 8') (1.219m x 2.438m)
- UL10C/UBC 7-2 (1997) Positive Pressure Rated
- UL10B Pressure Rated
- California State Reference Code (formerly Title 19 – Fire Marshal)
- Hurricane Compliant – Miami-DADE N.O.A. See page 78 for more details.



Product Specifications

- Handing – All QCL100 Series Levers Locksets are non-handed.
- Door thickness – 1 3/8" - 2" (35mm-51mm) standard.
- Backset – 2 3/4" (70mm) square standard. 2 3/8" and 5" (60mm, 127mm) available.
- Exposed trim – Pressure cast zinc, plated to match finish designation.
- Strike – ANSI Strike 1 1/4" x 4 7/8" (32mm x 124mm) standard. Other strike options also available.
- Door prep – 2 1/8" (54mm) diameter cross bore.
- Latch bolt – Keyed/Exterior 1/2" (12.7mm) steel throw; Interior 1/2" (12.7mm) spring latch.
- Latch faceplate – 1 1/8" x 2 1/4" (29mm x 57mm) standard.
- Single dummy is surface mounted.
- Electrification options available.

Keying

- 6-pin non-IC brass cylinders. 6 or 7 pin SFIC option available. Many keying options available from our factory to include, but not limited to, master keying, grand master keying and construction keying.
- 2 keys per lockset.
- Offered with the following keyway options: BF-BEST "F" SFIC, KW-Kwikset, WE-Weiser, SC-Schlage, GA-Yale, LA-Sargent, & LC-Less Cylinder. Consult factory for other cylinder options.

Warranty

- Lifetime Mechanical, 3-year finish,* and 1-year electrical

*(613/US10B carries no finish warranty)



Sierra (E)

Summit (M)



Slate (A)

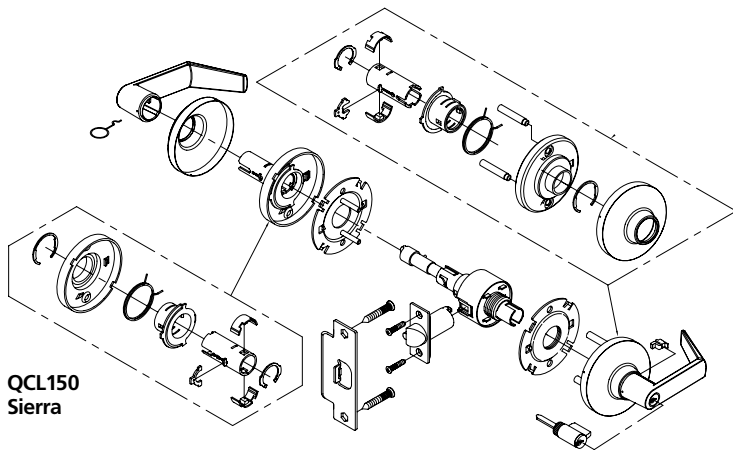
Functions

ANSI	Series	Description
—	QCL120	Single Dummy
F75	QCL130	Passage
F111	QCL135	Communicating
F76	QCL140	Privacy
F109	QCL150	Entry/Office
F109	QCL151	Entry/Office SFIC
F90	QCL154	Corridor
F90	QCL155	Corridor SFIC
F84	QCL160	Classroom
F84	QCL161	Classroom SFIC
F110	QCL168	Classroom Security
F110	QCL169	Classroom Security SFIC
F86	QCL170	Storeroom
F86	QCL171	Storeroom SFIC
—	QCL192	Electronically Locked
—	QCL193	Electronically Locked SFIC
—	QCL194	Electronically Unlocked
—	QCL195	Electronically Unlocked SFIC

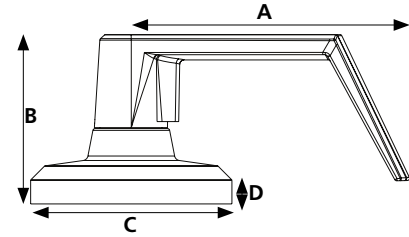
Finishes

BHMA	Description
605	Bright Brass
613	Oil Rubbed Bronze
619	Satin Nickel
625	Bright Chrome
626	Satin Chrome

QCL 100 Series: Grade 1 Heavy-Duty Cylindrical Locks



QCL150
Sierra



Dimensions				
	A	B	C	D
Sierra	4.895"	2.985"	3.543"	.407"
	124.32mm	75.82mm	90mm	10.34mm
Summit	4.929"	3.034"	3.543"	.407"
	125.20mm	77.06mm	90mm	10.34mm
Slate	4.937"	2.993"	3.543"	.407"
	125.40mm	76mm	90mm	10.34mm

Functions	ANSI		Description	Case Qty
QCL120 Single Dummy	—		Dummy trim for one side of door. Used for door pull or as matching inactive trim. No mechanical operation. Surface-mounted single dummy trim.	12
QCL130 Passage	F75		Both levers always unlocked and always free for immediate ingress & egress.	6
QCL135 Communicating	F111		Blank plate outside. Inside lever always unlocked and always free.	6
QCL140 Privacy	F76		Push-button locking. Can be opened from outside with a small screwdriver. Turning inside lever or closing door releases button. Inside lever is always free for immediate egress. Clutch feature disengages outside lever from latch when locked to prevent vandalism.	6
QCL150/151 Entry/Office	F109		Turn/push-button locking; pushing and turning button locks outside lever, requiring use of key until button is manually unlocked. Push-button locking; pushing button locks outside lever until unlocked by key or by depressing inside lever. Clutch feature disengages outside lever from latch when locked to prevent vandalism. Inside lever is always free for immediate egress.	6
QCL154/155 Corridor	F90		Deadlocking latch bolt operates by lever from either side except when outside lever is locked by key in outside lever, or by push-button on inside. Key in outside lever locks or unlocks outside lever. Operating inside lever releases push-button. Closing door releases push-button. Inside lever always operates latch bolt.	6
QCL160/161 Classroom	F84		Key required to either lock or unlock outside lever. Inside lever is always unlocked and free for immediate egress. Clutch feature disengages outside lever from latch when locked to prevent vandalism.sdf	6
QCL168/169 Classroom Security	F110		Key in either lever required to lock or unlock outside lever. Inside lever is always unlocked for immediate egress.	6
QCL170/171 Storeroom	F86		Outside lever always locked. Entrance by key only. Inside lever unlocked and free for immediate egress. Clutch feature disengages outside lever from latch when locked to prevent vandalism.	6

QCL 100 Series: Grade 1 Heavy-Duty Cylindrical Locks

Electrified Options (Consult Factory For Lead Times)

Model #	Description
QCL192	Electronically locked (fail safe). Outside lever continuously locked electrically. Unlocked by key outside, by switch, or by power failure. Inside always free for immediate egress.
QCL193 (SFIC)	
QCL194	Electronically unlocked (fail secure). Outside lever continuously locked until unlocked by key or electric current. Inside always free for immediate egress.
QCL195 (SFIC)	
QCL170—X	Request to exit. Switch monitors inside lever rotation. Incorporates into alarm systems or in conjunction with an electromagnet.
QCL171—X (SFIC)	
QCL192—X	Electronically locked (fail safe) with request to exit. Outside lever continuously locked electrically. Unlocked by key outside, by switch, or by power failure. Inside always free for immediate egress. Ability to tie into alarm systems.
QCL193—X (SCFIC)	
QCL194—X	Electronically unlocked (fail secure) with request to exit. Outside lever continuously locked until unlocked by key or electric current. Inside always free for immediate egress. Ability to tie into alarm systems.
QCL195—X (SCFIC)	
8Q00314	Fail Safe / Fail Secure 24VDC Power Supply

Electrified Product Specifications

- Consult factory for lead times.
- Electrification prices should be added to list price of lock.
- Standard door prep.
- Deadlocking latch.
- Key override allows key to retract latch bolt momentarily on electronically locked models.
- Inside lever always free for immediate egress.
- Continuous duty solenoids.
- Tie into alarm systems and electromagnetic locks.
- 12V AC/DC with .250 AMP current.
24V AC/DC with .150 AMP current.
- Specify voltage when ordering.
- Lifetime warranty on lock body; 1-year warranty on electric components.
- Uses power supply 8Q00314.
- Warranty: 1-year electrical.

Power Supply Specifications

- Consult factory for lead times.
- Provides power for fail safe or fail secure locking devices.
- UL listed, US & Canada, Class 2.
- Filtered and regulated 24DC constant voltage.
- 2 AMP load capacity.
- Over voltage/short-circuit protection.
- Surge suppression for locking devices.
- Interface relay to isolate the locking device current from the control switch.
- Auxiliary 24V DC constant voltage for powering stand-alone devices such as keypads, motion detectors, status indicators, etc.
- Field terminal block set at 45° for ease of installation.
- Can power up to twelve 24V cylindrical fail safe/ fail secure levers – refer to installation manual for additional details.

Example

If you ordered: QCL192 E626 S4 478S KW5 KA 24V X 625

You would get: Grade 1 Electronically Locked Cylindrical Lock, Sierra Lever, Satin Chrome x Bright Chrome, 2 3/4" Dead Latch Square, ANSI 4 7/8" x 1 1/4" Strike, Kwikset Keyway, Keyed Alike.

With options: 24-Volt Power and Request to Exit

How to Order

QCL 100 Series: Grade 1 Heavy-Duty Cylindrical Locks

Example

If you ordered: QCL170 E626 S4 478S F6 KA H

You would get: Grade 1 Hurricane Compliant Cylindrical Storeroom Lock, Sierra Lever, Satin Chrome, 2 3/4" Dead Latch Square, ANSI 4 7/8" x 1 1/4" Strike, Standard "F" Keyway, Keyed Alike.

MECHANICAL LOCKS

20	Single Dummy
30	Passage
35	Communicating
40	Privacy
50	Entry/Office
51	Entry/Office SFIC
54	Corridor
55	Corridor SFIC
60	Classroom
61	Classroom SFIC
68	Classroom Security
69	Classroom Security SFIC
70	Storeroom
71	Storeroom SFIC
Added Functions (New)	
92	Electronically Locked (fail safe)
93	Electronically Locked SFIC (fail safe)
94	Electronically Unlocked (fail secure)
95	Electronically Unlocked SFIC (fail secure)

605	Bright Brass
613	Oil Rubbed Bronze
619	Satin Nickel
625	Bright Chrome
626	Satin Chrome

BF	BEST "F" SFIC
KW	Kwikset "KW"
WE	Weiser "E"
SC	Schlage "C"
GA	Yale "GA"
LA	Sargent "LA"
LC	Less Cylinder

24V	24 Volt AC/DC
12V	12 Volt AC/DC

Base Part Number								
Series	Function	Design	Finish	Latch	Strike	Keyway	# Of Pins	Keying
QCL1	71	E	626	S4	478S	F	6	KA

Additional Options			
Hurricane Compliant	Power	Request To Exit	2nd Finish
H	—	—	—

E	Sierra
M	Summit
A	Slate

478S	ANSI 4 7/8" x 1 1/4" Strike
118F	ANSI 1 1/8" x 2 1/4" Strike

625	Bright Chrome
-----	---------------

QD1 Latch Table (New)	
FR4	Fire-Rated Radius 2-3/4
FS4	Fire-Rated Square 2-3/4
NOL	No Latch
R4	Radius 2-3/4
R8	Radius 2-3/8
S4	Square 2-3/4
S5	Square 5
S8	Square 2-3/8

KD	Keyed Different
KA	Keyed Alike
SK	Special Keying
	-Construction Keyed
	-Construction Master Keyed
	-Maison Keyed
	-Master Keyed
	-Grand Master Keyed
	-Great Grand Master Keyed
ZB	Zero Bitted

QCL 200 Series: Grade 2 Standard-Duty Cylindrical Locks

Performance Features

- Tested to meet Grade 2 specification of 400,000 cycles.
- Standard clutching mechanism provides resistance to damage caused by physical force.
- Thru-bolt design and heavy-duty spring tension provides longer performance life and prevents lever sag.
- Concealed mounting screws.
- Compartmentalized packaging allows for quick and easy installation.

Certifications

- ANSI/BHMA A156.2 Series – Grade 2
- ANSI A117.1 Accessibility Code (ADA Compliant)
- UL/cUL Listed (3 hours) for “A” label single-door applications (4' x 8') (1.219m x 2.438m)
- UL10C/UBC 7-2 (1997) Positive Pressure Rated
- UL10B Pressure Rated
- California State Reference Code (formerly Title 19 – Fire Marshal)
- Hurricane Compliant – Miami-DADE N.O.A. See page 78 for more details.



Sierra (E)



Summit (M)



Slate (A)

Product Specifications

- Handing – All QCL200 Series Levers Locksets are non-handed.
- Door thickness – 1 3/8" - 2" (35mm-51mm) standard.
- Backset – 2 3/4" (70mm) square standard. 2 3/8" and 5" (60mm, 127mm) available.
- Exposed trim – Pressure cast zinc, plated to match finish designation.
- Strike – ANSI Strike 1 1/4" x 4 7/8" (32mm x 124mm) standard. Other strike options also available.
- Door prep – 2 1/8" (54mm) diameter cross bore.
- Latch bolt – Keyed/Exterior 1/2" (12.7mm) steel throw; Interior 1/2" (12.7mm) spring latch.
- Latch faceplate – 1 1/8" x 2 1/4" (29mm x 57 mm) standard.

Keying

- 6-pin non-IC brass cylinders. 6 or 7 pin SFIC option available. Many keying options available from our factory to include, but not limited to, master keying, grand master keying and construction keying.
- 2 keys per lockset.
- Offered with the following keyway options: BF-BEST "F" SFIC, KW-Kwikset, WE-Weiser, SC-Schlage, GA-Yale, LA-Sargent, & LC-Less Cylinder. Consult factory for other cylinder options.

Warranty

- Lifetime Mechanical and 3-year finish*

*(613/US10B carries no finish warranty)

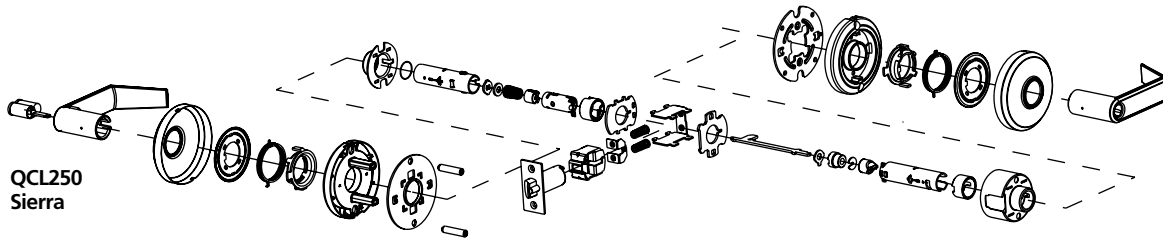
Functions

ANSI	Series	Description
—	QCL220	Single Dummy
F75	QCL230	Passage
F111	QCL235	Communicating
F76	QCL240	Privacy
F109	QCL250	Entry/Office
F109	QCL251	Entry/Office SFIC
F90	QCL254	Corridor
F90	QCL255	Corridor SFIC
F84	QCL260	Classroom
F84	QCL261	Classroom SFIC
F86	QCL270	Storeroom
F86	QCL271	Storeroom SFIC

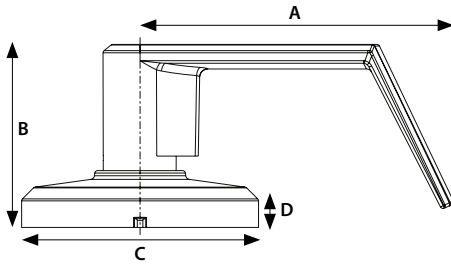
Finishes

BHMA	Description
605	Bright Brass
613	Oil Rubbed Bronze
619	Satin Nickel
625	Bright Chrome
626	Satin Chrome

QCL 200 Series: Grade 2 Standard-Duty Cylindrical Locks



QCL250
Sierra



Dimensions				
	A	B	C	D
Sierra	4.451"	2.6"	3.366"	.269"
	113.06mm	66.04mm	85.50mm	6.84mm
Summit	4.533"	2.744"	3.366"	.269"
	115.14mm	69.70mm	85.50mm	6.84mm
Slate	4.535"	2.87"	3.366"	.269"
	115.20mm	72.90mm	85.50mm	6.84mm

Functions	ANSI		Description	Case Qty
QCL220 Single Dummy	—		Dummy trim for one side of door. Used for door pull or as matching inactive trim. No mechanical operation. Surface-mounted single dummy trim.	12
QCL230 Passage	F75		Both levers always unlocked and always free for immediate ingress & egress.	6
QCL235 Communicating	F111		Blank plate outside. Inside lever always unlocked and always free.	6
QCL240 Privacy	F76		Push-button locking. Can be opened from outside with a small screwdriver. Turning inside lever or closing door releases button. Inside lever is always free for immediate egress. Clutch feature disengages outside lever from latch when locked to prevent vandalism.	6
QCL250/251 Entry/Office	F109		Turn/push-button locking; pushing and turning button locks outside lever, requiring use of key until button is manually unlocked. Push-button locking; pushing button locks outside lever until unlocked by key or by depressing inside lever. Clutch feature disengages outside lever from latch when locked to prevent vandalism. Inside lever is always free for immediate egress.	6
QCL254/255 Corridor	F90		Deadlocking latch bolt operates by lever from either side except when outside lever is locked by key in outside lever or by push-button on inside. Key in outside lever locks or unlocks outside lever. Operating inside lever releases push-button. Closing door releases push-button. Inside lever always operates latch bolt.	6
QCL260/261 Classroom	F84		Key required to either lock or unlock outside lever. Inside lever is always unlocked and free for immediate egress. Clutch feature disengages outside lever from latch when locked to prevent vandalism.	6
QCL270/271 Storeroom	F86		Outside lever always locked. Entrance by key only. Inside lever unlocked and free for immediate egress. Clutch feature disengages outside lever from latch when locked to prevent vandalism.	6

How to Order QCL 200 Series: Grade 2 Standard-Duty Cylindrical Locks

Example

If you ordered: QCL271 E626 S4 478S BF6 KA H 625

You would get: Grade 2 Hurricane Compliant Cylindrical Storeroom Lock, Sierra Lever, Satin Chrome x Bright Chrome, 23/4" Deadlatch Square, ANSI 47/8" x 1 1/4" Strike, SFIC "F" Keyway, Keyed Alike.

20	Single Dummy
30	Passage
35	Communicating
40	Privacy
50	Entry/Office
51	Entry/Office SFIC
54	Corridor
55	Corridor SFIC
60	Classroom
61	Classroom SFIC
70	Storeroom
71	Storeroom SFIC

605	Bright Brass
613	Oil Rubbed Bronze
619	Satin Nickel
625	Bright Chrome
626	Satin Chrome

BF	BEST "F" SFIC
KW	Kwikset "KW"
WE	Weiser "E"
SC	Schlage "C"
GA	Yale "GA"
LA	Sargent "LA"
LC	Less Cylinder

Base Part Number									Additional Options	
Series	Function	Design	Finish	Latch	Strike	Keyway	# of Pins	Keying	Hurricane Compliant	2nd Finish
QCL2	71	E	626	S4	478S	BF	6	KA	H	625

E	Sierra
M	Summit
A	Slate

478S	ANSI 47/8" x 1 1/4" Strike
118F	ANSI 1 1/8" x 2 1/4" Strike
FLS	Full Lip Square Corner Strike
FLR	Full Lip 1/4" Radius Corner Strike

613	Oil Rubbed Bronze
625	Bright Chrome

QCL2 Latch Table (New)	
FR4	Fire-Rated Radius 2-3/4
FS4	Fire-Rated Square 2-3/4
NOL	No Latch
NR4	Narrow Radius 2-3/4
NR8	Narrow Radius 2-3/8
NS4	Narrow Square 2-3/4
NS8	Narrow Square 2-3/8
R4	Radius 2-3/4
R8	Radius 2-3/8
S3	Square 3-3/4
S4	Square 2-3/4
S5	Square 5
S8	Square 2-3/8

KD	Keyed Different
KA	Keyed Alike
SK	Special Keying
	-Construction Keyed
	-Construction Master Keyed
	-Maison Keyed
	-Master Keyed
	-Grand Master Keyed
	-Great Grand Master Keyed
ZB	Zero Bitted

QCI 200 Series: Grade 2 Standard-Duty Interconnected Locks

Applications

The QCI200 Series Interconnected Levers are designed for multi-family, assisted living, commercial & mixed-use applications where single motion egress is required. These levers deliver premium performance and are designed to withstand the physical abuses of the applied environment.

Performance Features

- Tested to meet Grade 2 specification of 400,000 cycles.
- Single-motion egress provides easy emergency exit.
- Full 1" (25mm) throwbolt with saw-resistant hardened steel roller pin.
- Anti-drill design deadbolt – two (2) ball bearings inserted to prevent drill attacks.
- ADA thumbturn.
- Tapered latch bolt to address warped door concerns.

Certifications

- ANSI/BHMA A156.12 – 1999 Grade 2
- UL/cUL Listed (3 hours) for "A" label single-door applications (4' x 8') (1.219m x 2.438m)
- UL10C/UBC 7-2 (1997) Positive Pressure Rated
- UL10B Pressure Rated
- ANSI A117.1 Accessibility Code (ADA Compliant)



Product Specifications

- Door range – 1 3/8" - 1 3/4" (35mm-44.5mm).
- Heavy-duty cylindrical lock body.
- 4" center-to-center.
- Backset – 2 3/4" (70 mm) standard. 2 3/8" (60mm) available.
- Exposed trim – Wrought brass or bronze with cast zinc lever.
- Strikes – "T" strike 1 1/8" x 2 3/4" standard for lever, deadbolt strike 1 1/8" x 2 3/4" standard. Other strike options also available.
- Latch bolt – Keyed 1/2" (13mm) steel throw with auxiliary latch, passage 1/2" (13mm) spring latch.
- Handing – All QCI200 locksets are non-handed.
- Standard door prep: 2 1/8" cross bore (54mm).
- Latch hole – 1" diameter edge bore.
- Rose diameter – 2 1/2" (63mm).
- Inside escutcheon – 3" x 8" (82.5mm x 203mm).
Optional exterior escutcheon – 3 1/4" x 8" (82.5mm x 203mm).

Keying

- 6-pin non-IC brass cylinders. 6 or 7 pin SFIC option available. Many keying options available from our factory to include, but not limited to, master keying, grand master keying and construction keying. Small format interchangeable core cylinder also available.
- 2 keys per lockset.
- Offered with the following keyway options: SMT-SmartKey, KW-Kwikset, WE-Weiser, SC-Schlage, GA-Yale, LA-Sargent, BF-BEST "F" SFIC, & LC-Less Cylinder. Consult factory for other cylinder options.

Warranty

- Lifetime Mechanical, 3-year finish* and 1-year electrical

*(613/US10B carries no finish warranty)



Sierra (E) – Single-Locking



Summit (M) – Double-Locking



Slate (A) – Indicator

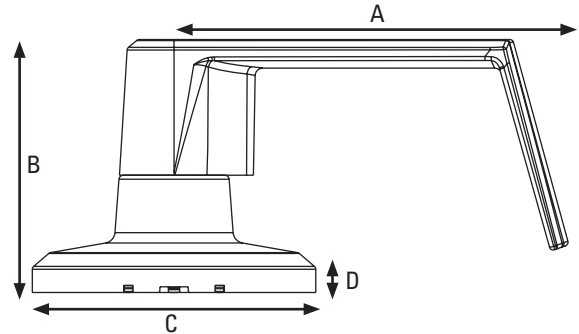
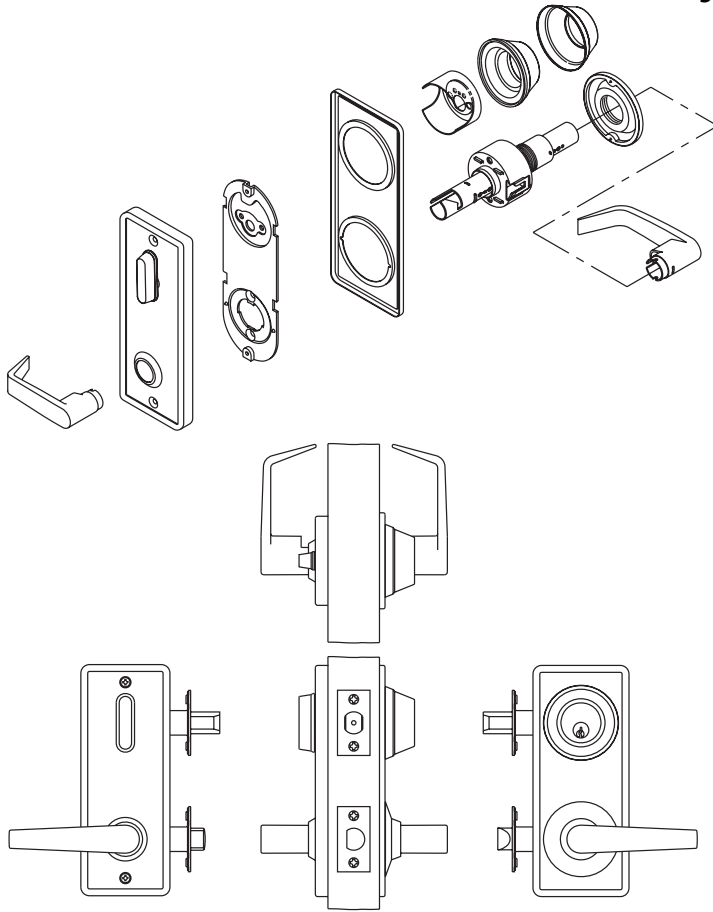
Functions

ANSI	Series	Description
F95	QCI230	Single-Locking (Passage Lever)
F95	QCI231	Single-Locking SFIC (Passage Lever)
F97	QCI250	Double-Locking (Entry Lever)
F97	QCI251	Double-Locking SFIC (Entry Lever)
—	QCI285	Indicator (Passage Lever)

Finishes

BHMA	Description
605	Bright Brass
613	Oil Rubbed Bronze
619	Satin Nickel
626	Satin Chrome

QCI 200 Series: Grade 2 Standard-Duty Interconnected Locks



Dimensions				
	A	B	C	D
Sierra	3.96"	2.25"	2.50"	.375"
	100.58mm	57.15mm	63.50mm	9.52mm
Summit	4.0"	2.20"	2.50"	.375"
	101.60mm	55.88mm	63.50mm	9.52mm
Slate	4.47"	4.67"	2.50"	.375"
	113.50mm	118.60mm	63.50mm	9.52mm

Functions	ANSI		Description	Case Qty
QCI230/231* Single-Locking (Passage Lever)	F95		Latch bolt operated by lever from either side. Rotating turn from inside or key from outside extends deadbolt to locked position. Both deadbolt and latch bolt are retracted simultaneously to unlock position by operating inside lever.	6
QCI250/251** Double-Locking (Entry Lever)	F97		Deadlocking latch bolt is operated by lever from either side except when outside lever is made inoperable by locking device inside. When outside lever is locked, deadlocking latch bolt is operated by key outside. Inside locking device is manually operated to unlock outside lever. Rotating turn from inside or key from outside extends deadbolt to locked position. Operating inside lever bolt retracts both deadbolt and deadlocking latch simultaneously. Closing door shall not release locking device inside.	6
QCI285 Indicator (Passage Lever)	—		Latch bolt operated by lever from either side. Rotating turn from inside extends deadbolt to locked position. Both deadbolt and latch bolt are retracted simultaneously to unlock position by operating inside lever. Outside indicator visually shows red closed padlock for locked/in-use, green open door padlock for unlocked/vacant. Emergency key included.	6

NOTES: *SmartKey available on QCI230 functions only.
 **QCI251 available at extended lead time. Consult factory.

How to Order

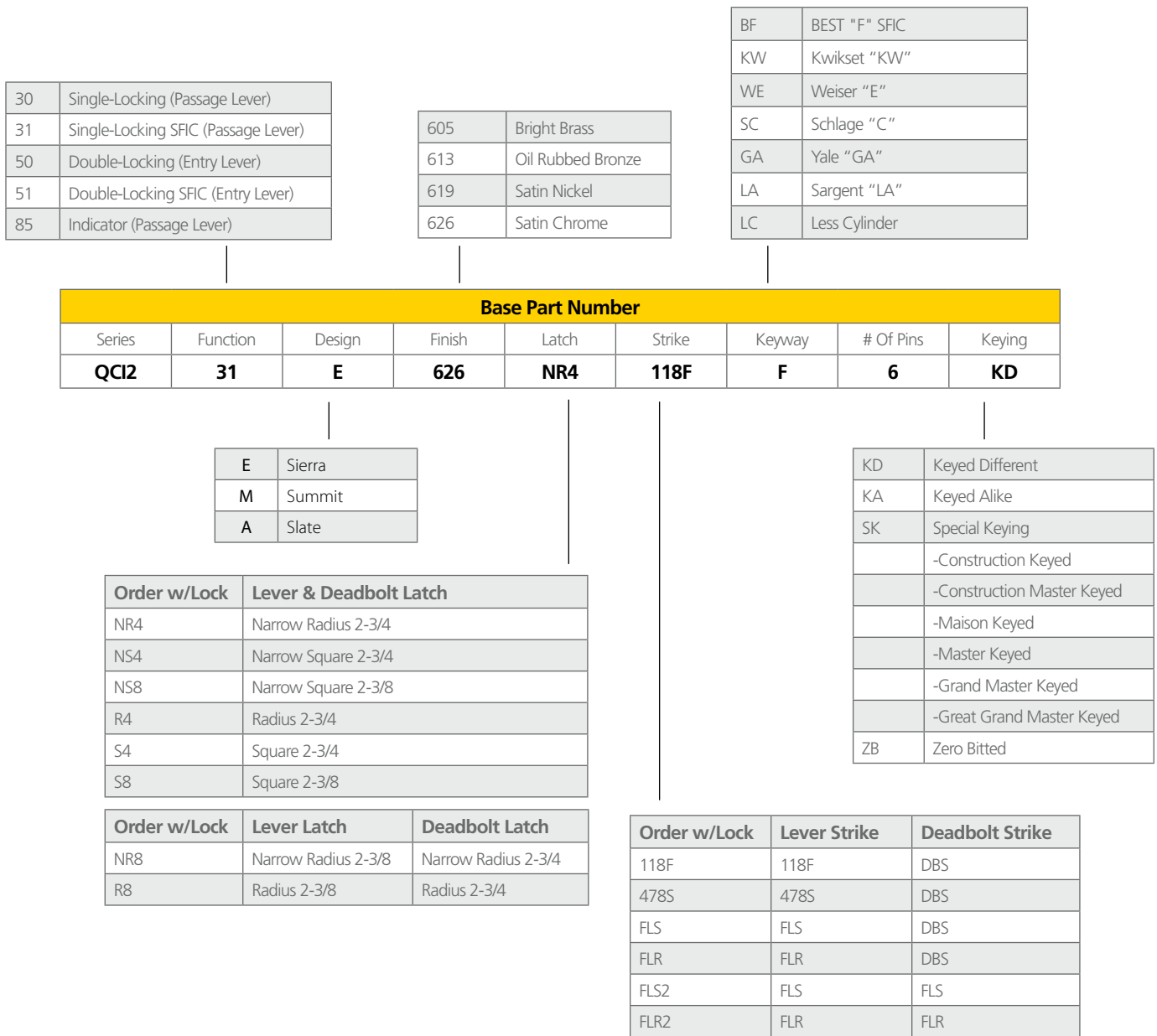
QCI 200 Series: Grade 2 Standard-Duty Interconnected Locks

Example

If you ordered: QCI230 E626 NR4 118F F6 KD

You would get: Grade 2 Interconnect Single Lock, Sierra Lever, Satin Chrome, 23/4" Narrow Radius Latches, "T" Strike with Standard Deadbolt Strike, Standard "F" Keyway, Keyed Different.

MECHANICAL LOCKS



QTL 200 Series: Grade 2 Standard-Duty Tubular Locks

Performance Features

- Tested to meet Grade 2 specification of 400,000 cycles.
- Heavy-duty torsion springs provide longer performance life and prevent lever sag.
- Concealed mounting screws.
- "Anti-Lockout" feature. The entry function will have a free interior. If the door is locked from the inside, it will unlock with the push of the interior side of the lever only or the turn of the button.
- 1/2" (13mm) latch bolt made of stainless steel black powder metallurgy for enhanced durability and strength. Compartmentalized packaging allows for quick and easy installation.

Certifications

- ANSI/BHMA A156.2 Series – Grade 2
- ANSI A117.1 Accessibility Code (ADA Compliant)
- UL/cUL Listed (3 hours) for "A" label single-door applications (4' x 8') (1.219m x 2.438m)
- UL10C/UBC 7-2 (1997) Positive Pressure Rated
- UL10B Pressure Rated
- California State Reference Code (formerly Title 19 – Fire Marshal)
- Hurricane Compliant – Miami-DADE N.O.A. See page 78 for more details.



Product Specifications

- Handing – All QTL200 Series Levers Locksets are non-handed.
- Door thickness – 1 3/8" - 1 3/4" (35mm-51mm) standard.
- Backset – Universal backset standard, will fit either 2 3/8" or 2 3/4" backsets (60mm-70mm).
- Exposed trim – Pressure cast zinc, plated to match finish designation.
- Strike – Full-lip strike standard (57mm x 44.4mm). Other strike options also available.
- Latch bolt – 1/2" (13mm) steel throw.
- Latch faceplate – 1" x 2 1/4" (25.4mm x 57mm) standard.

Keying

- 6-pin non-IC brass cylinders. 6 or 7 pin SFIC option available. Many keying options available from our factory to include, but not limited to, master keying, grand master keying and construction keying.
- 2 keys per lockset.
- Offered with the following keyway options: BF-BEST "F" SFIC, KW-Kwikset, WE-Weiser, SC-Schlage, GA-Yale, LA-Sargent, & LC-Less Cylinder. Consult factory for other cylinder options.

Warranty

- Lifetime Mechanical and 3-year finish*

*(613/US10B carries no finish warranty)



Sierra (E)



Summit (M)



Slate (A)

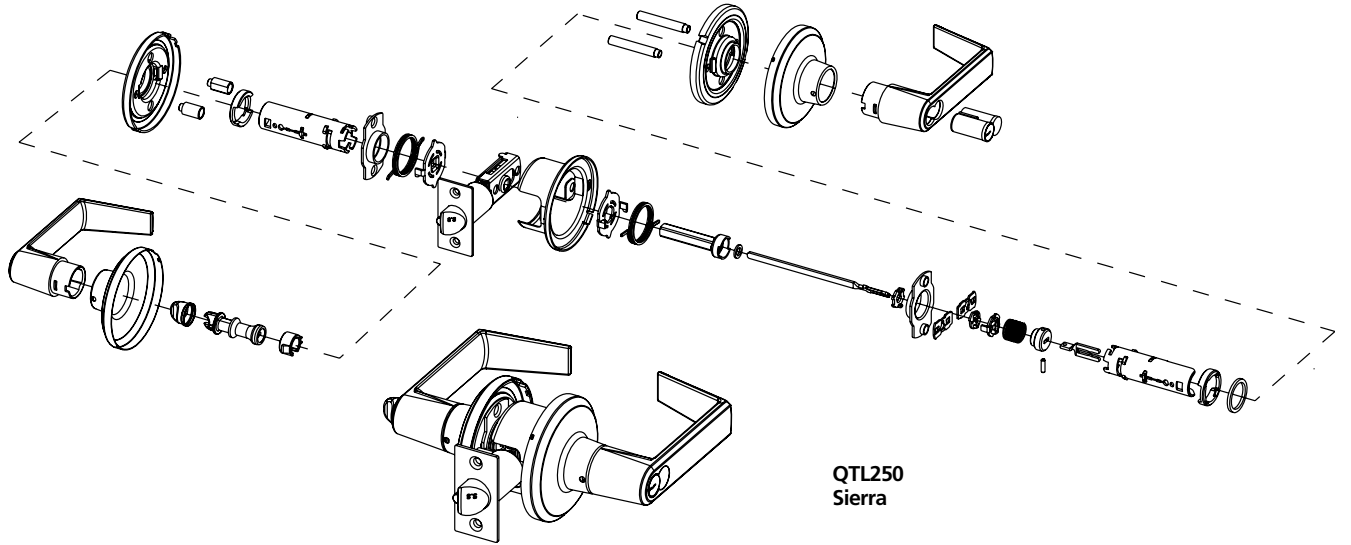
Functions

ANSI	Series	Description
—	QTL220	Single Dummy
F75	QTL230	Passage
F76B	QTL240	Privacy
F82	QTL250	Entry/Office
F82	QTL251	Entry/Office SFIC
F84	QTL260	Classroom
F84	QTL261	Classroom SFIC
F86	QTL270	Storeroom
F86	QTL271	Storeroom SFIC

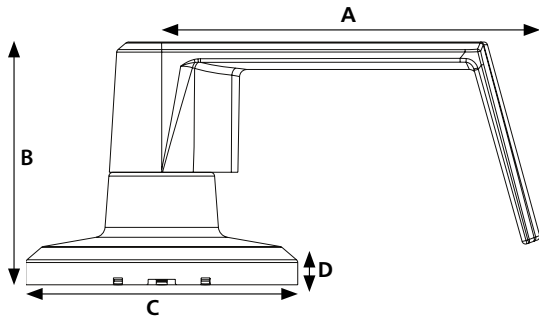
Finishes

BHMA	Description
605	Bright Brass
613	Oil Rubbed Bronze
619	Satin Nickel
625	Bright Chrome
626	Satin Chrome

QTL 200 Series: Grade 2 Standard-Duty Tubular Locks



**QTL250
Sierra**



Dimensions				
	A	B	C	D
Sierra	4.103"	2.635"	2.953"	.443"
	104.21mm	66.93mm	75mm	11.24mm
Summit	4.224"	2.663"	2.953"	.443"
	107.29mm	67.64mm	75mm	11.24mm
Slate	4.488"	2.728"	2.953"	.443"
	114mm	69.30mm	75mm	11.24mm

MECHANICAL LOCKS

Functions	ANSI		Description	Case Qty
QTL220 Single Dummy	—		For one side of door. Used for door pull or as matching inactive trim. No mechanical operation. Surface-mounted single dummy trim.	12
QTL230 Passage	F75		Both levers always unlocked and always free for immediate ingress & egress.	10
QTL240 Privacy	F76B		Turn-button locking. Can be opened from outside with small screwdriver. Turning inside lever releases turn-button. Inside lever is always free for immediate egress.	10
QTL250/251 Entry/Office	F82		Unlocked by key from outside when outside lever is locked by turn-button on inside lever. Inside lever always unlocked and available for immediate egress.	10
QTL260/261 Classroom	F84		Outside lever locked or unlocked by key. Inside lever is always unlocked and free for immediate egress.	10
QTL270/271 Storeroom	F86		Outside lever always locked. Entrance by key only. Inside lever always unlocked and free for immediate egress.	10

How to Order QTL 200 Series: Grade 2 Standard-Duty Tubular Locks

Example

If you ordered: QTL270 E626 SA FLR F6 KA H 625

You would get: Grade 2 Hurricane Compliant Tubular Storeroom Lock, Sierra Lever, Satin Chrome x Bright Chrome, Adjustable Square Latch, Full Lip 1/4" Radius Corner Strike, Standard "F" Keyway, Keyed Alike.

20	Single Dummy
30	Passage
40	Privacy
50	Entry/Office
51	Entry/Office SFIC
60	Classroom
61	Classroom SFIC
70	Storeroom
71	Storeroom SFIC

605	Bright Brass
613	Oil Rubbed Bronze
619	Satin Nickel
625	Bright Chrome
626	Satin Chrome

BF	BEST "F" SFIC
KW	Kwikset "KW"
WE	Weiser "E"
SC	Schlage "C"
GA	Yale "GA"
LA	Sargent "LA"
LC	Less Cylinder

Base Part Number								
Series	Function	Design	Finish	Latch	Strike	Keyway	# of Pins	Keying
QTL2	71	E	626	SA	FLR	F	6	KA

Additional Options	
Hurricane Compliant	2nd Finish
H	625

E	Sierra
M	Summit
A	Slate

478S	ANSI 47/8" x 1 1/4" Strike
118F	ANSI 1 1/8" x 2 1/4" Strike
FLS	Full Lip Square Corner Strike
FLR	Full Lip 1/4" Radius Corner Strike

625	Bright Chrome
-----	---------------

QTL2 Latch Table (New)	
RA	Adjustable Radius
SA	Adjustable Square
NOL	No Latch

KD	Keyed Different
KA	Keyed Alike
SK	Special Keying
	-Construction Keyed
	-Construction Master Keyed
	-Maison Keyed
	-Master Keyed
	-Grand Master Keyed
	-Great Grand Master Keyed
ZB	Zero Bitted

QDB 100 Series: Grade 1 Heavy-Duty Auxiliary Deadbolts

Performance Features

- Tested to meet Grade 1 specification of 250,000 cycles.
- Solid forged housing provides enhanced strength and durability.
- Full 1" (25.4mm) throwbolt with saw-resistant hardened steel roller pin.
- Anti-drill design – two (2) ball bearings inserted to prevent drill attacks.
- ADA thumbturn.
- Compartmentalized packaging allows for quick and easy installation.

Certifications

- ANSI/BHMA A156.5 Series – Grade 1
- ANSI A117.1 Accessibility Code (ADA Compliant)
- UL/cUL Listed (3 hours) for "A" label single-door applications (4' x 8") (1.219m x 2.438m)
- UL10C/UBC 7-2 (1997) Positive Pressure Rated
- UL10B Pressure Rated
- California State Reference Code (formerly Title 19 – Fire Marshal)
- Hurricane Compliant – Miami-DADE N.O.A. See page 78 for more details.



Single Cylinder



Double Cylinder

Product Specifications

- Door range – 1 3/8" (35 mm) to 2" (51 mm).
Service part number 8Q00082 spacer rings required for 1 3/8" doors.
- Backset – 2 3/4" (70mm) square standard.
2 3/8" (60mm) available.
- Exposed trim – Solid forged brass, plated to match finish designation.
- Strike – Standard deadbolt strike 1 1/8" x 2 3/4" (32mm x 70mm).
Other strike options also available.
- Door prep – 2 1/8" (54mm) diameter cross bore.
- Latch bolt – Full 1" (25.4mm) throw with hardened steel roller;
Faceplate – 1 1/8" x 2 1/4" (29mm x 57mm).

Keying

- 6-pin non-IC brass cylinders. 6 or 7 pin SFIC option available. Many keying options available from our factory to include, but not limited to, master keying, grand master keying and construction keying. Small format interchangeable core cylinder also available.
- 2 keys per lockset.
- Offered with the following keyway options: KW-Kwikset, WE-Weiser, SC-Schlage, GA-Yale, LA-Sargent, BF-BEST "F" SFIC, & LC-Less Cylinder. Consult factory for other cylinder options.

Warranty

- Lifetime Mechanical and 3-year finish*

*(613/US10B carries no finish warranty)

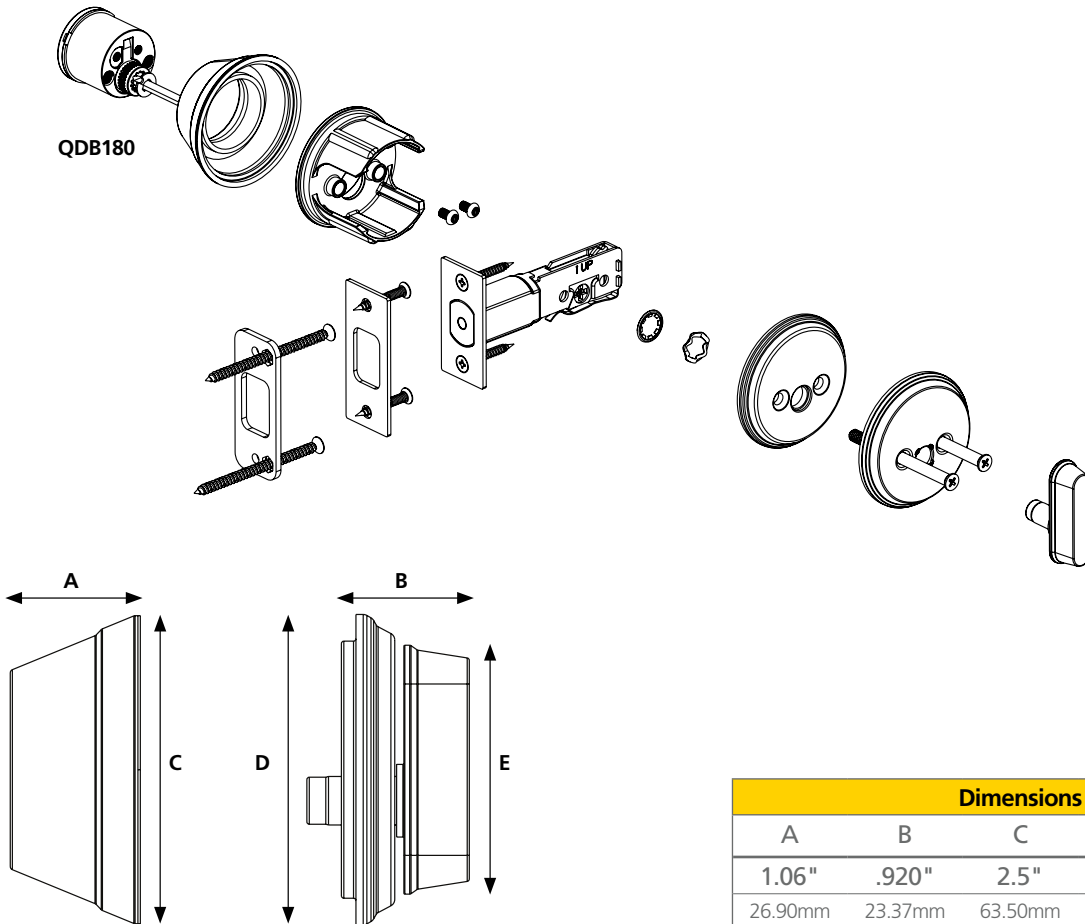
Functions

ANSI	Series	Description
E0151	QDB180	Single Cylinder
E0151	QDB181	Single Cylinder SFIC
E0141	QDB182	Double Cylinder
E0141	QDB183	Double Cylinder SFIC
E0171	QDB186	Classroom
E0171	QDB187	Classroom SFIC

Finishes

BHMA	Description
605	Bright Brass
613	Oil Rubbed Bronze
619	Satin Nickel
625	Bright Chrome
626	Satin Chrome

QDB 100 Series: Grade 1 Heavy-Duty Auxiliary Deadbolts



Dimensions				
A	B	C	D	E
1.06"	.920"	2.5"	2.52"	2.02"
26.90mm	23.37mm	63.50mm	64mm	51.31mm

Model/Series	ANSI		Functions	Description	Case Qty
QDB180/181 Single Cylinder	E0151		Single Cylinder	Deadbolt is operated by a key outside and a thumbturn inside.	12
QDB182/183 Double Cylinder	E0141		Double Cylinder	Deadbolt is operated by a key on both sides.	12
QDB186/187 Classroom	E0171		Classroom	Deadbolt is operated by a key from outside. Turnpiece retracts deadbolt for egress but can not project it.	12

How to Order

QDB 100 Series: Grade 1 Heavy-Duty Auxiliary Deadbolts

Example

If you ordered: QDB182 626 S8 DBS F6 KD H

You would get: Grade 1 Double Cylinder Auxiliary Deadbolt, Satin Chrome, 2 3/8" Deadbolt Latch Square, Standard Deadbolt Strike, Standard "F" Keyway, Keyed Different, Hurricane Compliant.

80	Single Cylinder
81	Single Cylinder SFIC
82	Double Cylinder
83	Double Cylinder SFIC
86	Classroom
87	Classroom SFIC

605	Bright Brass
613	Oil Rubbed Bronze
619	Satin Nickel
625	Bright Chrome
626	Satin Chrome

BF	BEST "F" SFIC
KW	Kwikset "KW"
WE	Weiser "E"
SC	Schlage "C"
GA	Yale "GA"
LA	Sargent "LA"
LC	Less Cylinder

MECHANICAL LOCKS

Base Part Number								Additional Options
Series	Function	Finish	Latch	Strike	Keyway	# of Pins	Keying	Hurricane Compliant
QDB1	83	626	S8	DBS	F	6	KD	H

NOL	No Latch
NR4	Narrow Radius 2-3/4
NR8	Narrow Radius 2-3/8
NS4	Narrow Square 2-3/4
NS8	Narrow Square 2-3/8
R4	Radius 2-3/4
R8	Radius 2-3/8
S4	Square 2-3/4
S8	Square 2-3/8

KD	Keyed Different
KA	Keyed Alike
SK	Special Keying
	-Construction Keyed
	-Construction Master Keyed
	-Maison Keyed
	-Master Keyed
	-Grand Master Keyed
	-Great Grand Master Keyed
ZB	Zero Bitted

478S	ANSI 47/8" x 1 1/4" Strike
DBS	Deadbolt Strike 1 1/8" x 2 3/4" Square
FLS	Full Lip Square Corner Strike
FLR	Full Lip 1/4" Radius Corner Strike

QDB 200 Series: Grade 2 Standard-Duty Auxiliary Deadbolts

Performance Features

- Tested to meet Grade 2 specification of 150,000 cycles.
- Full 1" (25.4mm) throwbolt with saw-resistant hardened steel roller pin.
- Free-spinning cylinder collar prevents against wrench attacks.
- Anti-drill design – Two (2) ball bearings inserted to prevent drill attacks.
- ADA thumbturn.
- Compartmentalized packaging allows for quick and easy installation.
- Available with SmartKey Technology.

Certifications

- ANSI/BHMA A156.12 – 1999 Grade 2
- ANSI A117.1 Accessibility Code (ADA Compliant)
- UL/cUL Listed (3 hours) for "A" label single-door applications (4' x 8') (1.219m x 2.438m)
- UL10C/UBC 7-2 (1997) Positive Pressure Rated
- UL10B Pressure Rated
- Hurricane Compliant – Miami-DADE N.O.A. See page 78 for more details.



Single Cylinder



Double Cylinder



QDB285 Indicator



QDB288 Key Control

Product Specifications

- Door range – 1 3/8" (35mm) to 2" (51 mm).
Service part number 8Q00082 spacer rings required for 1 3/8" doors.
- Backset – 2 3/4" (70mm) square standard. 2 3/8" (60mm) available.
- Exposed trim – Stainless steel with iron forged cylinder guard.
- Strike – Standard deadbolt strike 1 1/8" x 2 3/4" (32mm x 70mm).
Other strike options also available.
- Latch bolt – Full 1" (25.4mm) throw with hardened steel roller.
- Faceplate – 1 1/8" x 2 1/4" (29mm x 57mm) standard.
1" x 2 1/4" (25.4mm x 57mm) faceplate available.

Keying

- 6-pin non-IC brass cylinders. 6 or 7 pin SFIC option available. Many keying options available from our factory to include, but not limited to, master keying, grand master keying and construction keying. Small format interchangeable core cylinder also available.
- 2 keys per lockset.
- Offered with the following keyway options: SMT-SmartKey, KW-Kwikset, WE-Weiser, SC-Schlage, GA-Yale, LA-Sargent, BF-BEST "F" SFIC, & LC-Less Cylinder. Consult factory for other cylinder options.

Warranty

- Lifetime Mechanical and 3-year finish*

*(613/US10B carries no finish warranty)

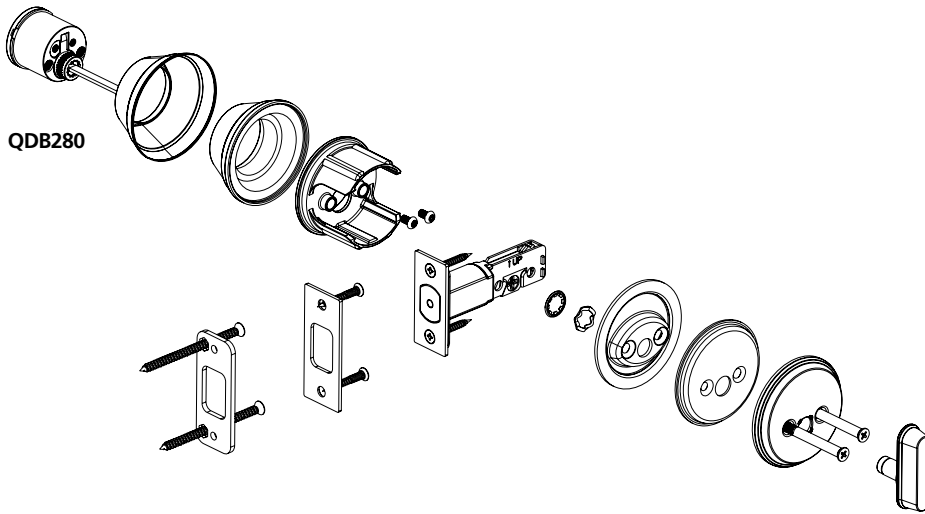
Functions

ANSI	Series	Description
E0152	QDB280	Single Cylinder
E0152	QDB281	Single Cylinder SFIC
E0142	QDB282	Double Cylinder
E0142	QDB283	Double Cylinder SFIC
E0193	QDB284	Inside Turnbolt
—	QDB285	Indicator
E0172	QDB286	Classroom
E0172	QDB287	Classroom SFIC
E0152	QDB288	Key Control

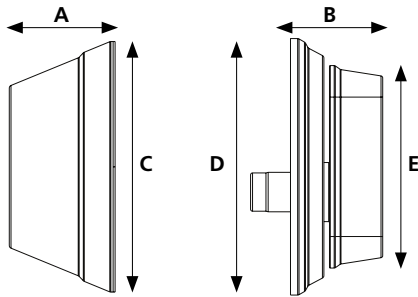
Finishes

BHMA	Description
605	Bright Brass
613	Oil Rubbed Bronze
619	Satin Nickel
625	Bright Chrome
626	Satin Chrome

QDB 200 Series: Grade 2 Standard-Duty Auxiliary Deadbolts



QDB280



Dimensions				
A	B	C	D	E
1.06"	.920"	2.5"	2.56"	2.02"
26.8mm	23.37mm	63.5mm	65mm	51.31mm

MECHANICAL LOCKS

Model/Series	ANSI		Description	Case Qty
QDB280/281 Single Cylinder	E0152		Deadbolt is operated by a key outside and a thumbturn inside.	12
QDB282/283 Double Cylinder	E0142		Deadbolt is operated by a key on both sides.	12
QDB284 Inside Turnbolt	E0193		Deadbolt is operated by a thumbturn inside. <u>There is no trim on the other side.</u>	20
QDB285 Indicator	—		Deadbolt is operated by turn inside. Occupancy indicator plate on outside. Indicator visually shows red closed padlock for locked/in-use, green opened padlock for unlocked/vacant. Emergency key included.	12
QDB286/287* Classroom	E0172		Deadbolt operated by key from outside. Thumbturn retracts deadbolt for egress but cannot project it.	12
QDB288† Key Control	E0152		Deadbolt operated by either tenant or control key from outside. Thumbturn on inside projects and retracts deadbolts.	12

NOTES: *Classroom indicator deadbolts available in 626 finish at standard lead times. Consult factory for lead times on alternative finishes.
†Key control deadbolt available with SmartKey cylinders only.

How to Order QDB 200 Series: Grade 2 Standard-Duty Auxiliary Deadbolts

Example

If you ordered: QDB282 626 S8 DBS F6 KD H

You would get: Grade 2 Double Cylinder Auxiliary Deadbolt, Satin Chrome, 2 3/8" Deadbolt Latch Square, Standard Deadbolt Strike, Standard "F" Keyway, Keyed Different, Hurricane Compliant.

80	Single Cylinder
81	Single Cylinder SFIC
82	Double Cylinder
83	Double Cylinder SFIC
84	Inside Turnbolt
85	Indicator
86	Classroom
87	Classroom SFIC
88	Key Control [†]

605	Bright Brass
613	Oil Rubbed Bronze
619	Satin Nickel
625	Bright Chrome
626	Satin Chrome

BF	BEST "F" SFIC
KW	Kwikset "KW"
WE	Weiser "E"
SC	Schlage "C"
GA	Yale "GA"
LA	Sargent "LA"
LC	Less Cylinder

Base Part Number								Additional Options
Series	Function	Finish	Latch	Strike	Keyway	# of Pins	Keying	Hurricane Compliant
QDB2	83	626	S8	DBS	F	6	KD	H

QDB2 Latch Table (New)	
6A	6-Way Adjustable
NOL	No Latch
NR4	Narrow Radius 2-3/4
NR8	Narrow Radius 2-3/8
NS4	Narrow Square 2-3/4
NS8	Narrow Square 2-3/8
RA	Adjustable Radius
R4	Radius 2-3/4
R8	Radius 2-3/8
SA	Adjustable Square
S4	Square 2-3/4
S8	Square 2-3/8

KD	Keyed Different
KA	Keyed Alike
SK	Special Keying
	-Construction Keyed
	-Construction Master Keyed
	-Maison Keyed
	-Master Keyed
	-Grand Master Keyed
	-Great Grand Master Keyed
ZB	Zero Bitted

478S	ANSI 47/8" x 1 1/4" Strike
DBS	Deadbolt Strike 1 1/8" x 2 3/4" Square
DBR	Deadbolt Strike 1 1/8" x 2 3/4" Radius
FLS	Full Lip Square Corner Strike
FLR	Full Lip 1/4" Radius Corner Strike

NOTES: †Key control deadbolt only available with SmartKey cylinders.

SFIC and Standard Keys and Cores

Keying

- Two keys provided with each lockset.
- Keying options available include: masterkeying, grand masterkeying and construction keying.
- Key stamping.



Base Part Number					
Key	Key Type	Keyway	Cut Code	Pin Size	Options
6AQ	1	KW	1	7	DND
6AQ - Standard	1 - Operating or blank 2 - Control 3 - Master 4 - Submaster 5 - Grand Master	KW - Kwikset WS - Weiser SC - Schlage C SE - Schlage E GA - Yale LA - Sargent AA - Arrow	1 - Blank 2 - Cut	6 - 6-pin 7 - 7-pin	S - Key Serialization DND - Do Not Duplicate

Example

If you ordered: 6AQ1KW17DND

You would get: Standard Operating Key, Kwikset Keyway, cut for 7-pin, marked Do Not Duplicate.

SFIC Cores

- A2 keying system offered with multiple levels of master keying.
- Standard keyway BF: BEST "F."
- Offered in three finishes (626, 605, 690).
- Complies to Buy American Act
- Plastic construction core available.

Base Part Number				
Core Type	Lock Body	Keyway	Combination Code	Finish
6CS	7	BF	2	626
6CS - SFIC	6 - 6-pin 7 - 7-pin	BF - BEST "F" SFIC	1 - Uncombined 2 - Combined	605 Bright Brass 626 Satin Chrome 690 DK Bronze Powder Coat



626
Satin
Chrome



605
Bright
Brass



690
Dark Bronze
Powder Coat

Example

If you ordered: 6CS 7BF2 626

You would get: Small Format Interchangeable Core (SFIC), 7-pin, Best "F" Keyway, Factory Combined, Satin Chrome.

Warranty

- Lifetime Mechanical, 3-year finish,* 1-year electrical

*(613 carries no finish warranty)

How to Order Standard Cores

Standard Cores

- BF: BEST "F" Keyway.
- Various keyways available include, but are not limited to: Schlage, Sargent and Yale.
- Optional construction keying available.
- Construction use – Prepared at the factory with construction pinning and key.
- Standard use – First use of operating key will supersede all construction keys.



Base Part Number								
Core Type	Core Type	Lock Body	Keyway	Combination Code	Finish	Tailpiece	Length	Options
6EQ	L	6	KW	1	626	QCL160	—	—
6EQ - Standard Core	L - Key-in-Lever M - Mortise D - Deadbolt R - Rim	6 - 6-pin	KW - Kwikset SC - Schlage "C" SE - Schlage "E" CB - C4 Corbin GA - Yale "GA" LA - Sargent "LA" AA - Arrow	1 - Uncombined 2 - Combined	605 - Bright Brass 626 - Satin Chrome	Series/ Function	118 - 1 1/8" 138 - 1 3/8" (Mortise Cylinder only)	CC - Construction (Optional)

Example

If you ordered: 6EQL 6KW1 626 QCL160

You would get: Standard Key-in-Lever Cylinder, 6-pin, Kwikset Keyway, Uncombined, Satin Chrome, QCL160 Tailpiece.

Warranty

- Lifetime Mechanical, 3-year finish,* 1-year electrical

*(613 carries no finish warranty)