

## Markar B1921 & B1923 Full Surface Reinforcing Pivots

This full-surface reinforcing pivot adds years of life to openings where the hinges or hinge reinforcements have failed. An economical way to solve door sag problems, reinforcing pivots take the load off the top hinge and transfer it to screws that will not pull out.

### Material:

Heavy Duty  $\frac{3}{16}$ " (.187) Cold-Rolled Steel

### Finish:

Zinc Plated (US2G)

### Mounting:

8 ea.  $\frac{1}{4}$ -20 x  $\frac{3}{4}$ " Phillips flat head machine screws

8 ea. #14 x  $1\frac{1}{4}$ " Phillips flat head sheet metal screws

2 ea.  $\frac{1}{4}$ -20 x  $1\frac{3}{4}$ " Sleeve bolts

### Capacity:

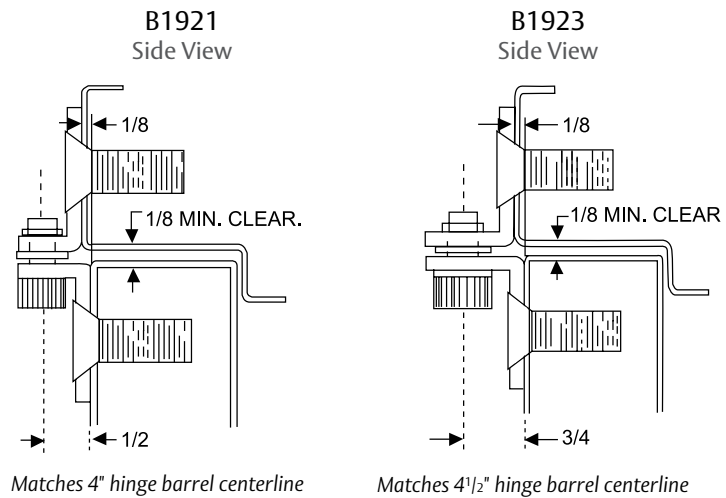
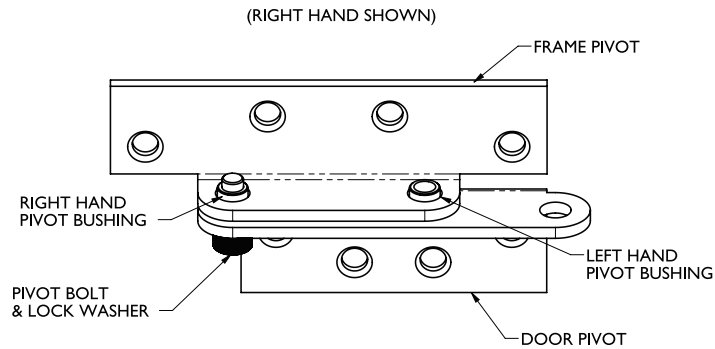
Supports Weights up to 300 lbs.

### Hole Pattern:

Symmetrically

### Handing:

Non-handed



B1921	The B1921 pivot is designed with a $\frac{1}{2}$ " offset to match the pivot point of a 4" wide butt hinge.
B1923	The B1923 pivot is designed with a $\frac{3}{4}$ " offset to match the pivot point of a 4 1/2" wide butt hinge.

**ASSA ABLOY**

The global leader in door opening solutions