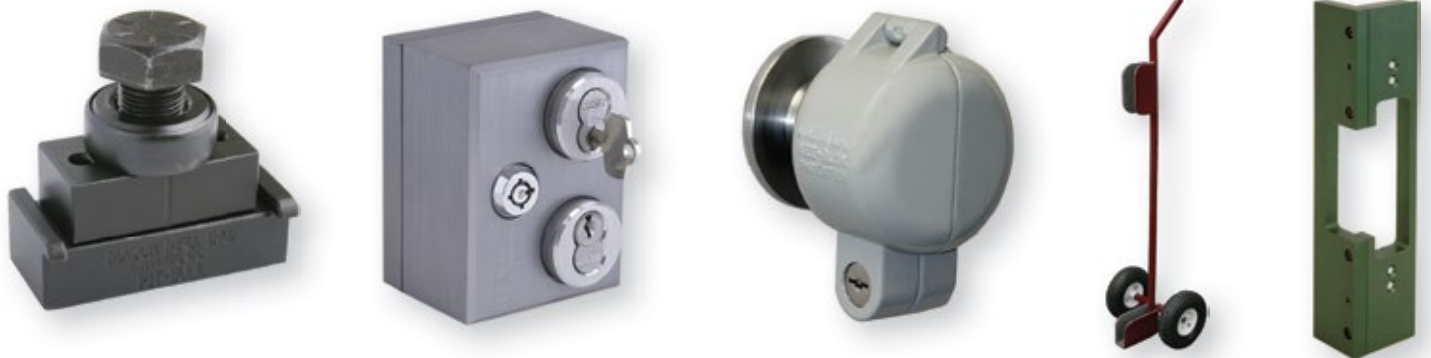


PRODUCT CATALOG 30

SPECIALTY PRODUCTS FOR THE PROFESSIONAL LOCKSMITH



Major
MANUFACTURING, INC.

Major Manufacturing was created in 1976 as a subsidiary of Major Lock Supply. In 1992 the company was split off from Major Lock Supply and restructured to better serve the trade by providing specialty installation equipment, servicing tools and supplies not otherwise commercially available to the professional locksmith and installer. Major Manufacturing is headed by Bill DeForrest, a professional in the security field with over thirty years of hands-on experience in locksmithing, wholesale distribution, equipment design and production.



This year again, we are pleased to announce the release of many new additions to our catalog. We do our utmost to provide quality tools and supplies needed by our changing industry. And as always, we continue to manufacture the tried and true products that you can rely on. From our signature product, the Kee-Blok, to the multi-faceted Hardware Installation

Tools (HIT Series), you can be assured that the name Major Manufacturing is a name synonymous with quality.

We hope you will find our catalog a resourceful guide for locating the tools and products required for your next project. Our priority is to continue to add quality tools and supplies to our growing product line. If you have any new ideas for new products, please let us know!

For new product updates and the latest up to the minute information, please sign up for e-mail bulletins at www.majormfg.com.

Thank you for interest in our company, we look forward to supplying your needs.

INDEX BY DESCRIPTION

ADAMS RITE MOUNTING BRACKET	29	DRILL BITS	102-103
ADAMS RITE INSTALLATION KIT	71, 74-75	DRILL GUIDE FOR AR LEVER HANDLES	91-92
ADAMS RITE LOCK TEMPLATES	69-77	DRILL GUIDE FOR HOSPITAL PUSH/PULL	58
ALMONT PADLOCK RELOADING TOOL	41	DRILL GUIDE FOR PANIC HARDWARE	61-62
ALMONT 134 PADLOCK RETAINING WIRE	41	DRILL GUIDE FOR VON DUPRIN 22 PANIC	62
ALPHA LIST BY LOCK MANUFACTURER	51-52	DRILL GUIDES FOR LEVER LOCKS	54-55
ALUMA GUARD	32-33	DRILL GUIDES FOR PUSHBUTTON LOCKS	55-60, 93
ALUMINUM DOOR LOCK INSTALL KIT	76-77	DRILL MASTER HIT-44 & HIT-50	96-101
BACKSET RE-DRILL GUIDE	37	ELECTRIC STRIKE TEMPLATES	88-91
BLOCKADE BAR	9	FACEPLATE ADAPTER FOR HIT-45	81
BORING JIG FOR CYLINDRICAL LOCKS	96-101	FILE CABINET BARS	7
BRAD POINT DRILL BITS	102	GARAGE BLOK	10
CABINET LOCK DRILL GUIDE	95	GUARD PLATES	15
CENTER DRILL	106	HINGE PINS	23
CINCHER	22	HIT-30 SERIES TOOLS	69-71
CLASSIC MAGNUM PULLER	42	HIT-38 DRILL BITS	103
CLIP REMOVING TOOL	41	HIT-41 SERIES TEMPLATES	88-91
COMPACT MAGNUM PULLER	42	HIT-42 SERIES TEMPLATES	94
CURVED SHIM STOCK	39	HIT-44 SERIES TOOLS	98-105
CYLINDER CAPPING TOOL	38	HIT-45 ALUMINUM DOOR TEMPLATES	76-77
CYLINDER COLLAR ASSORTMENT	49	HIT-45 MODULAR CLAMP	72
CYLINDER GUARDS	16, 34-35	HIT-45 MORTISE LOCK TEMPLATES	78-81
CYLINDER SHELL EXTENDER	39	HIT-50 DRILL MASTER	96
CYLINDER SPRINGS	39	HIT-55	97
CYLINDER TOOL FOR KWIKSET	41	HIT 66 SERIES TOOLS	82-87
DOOR ARMOR	31	JAMB JACKET	18
DOOR LIFTER	107	JAMB PINS	23
DOOR TOTE	107	KEE BLOK - KNOB MODEL	11
DOUBLE "D" PUNCH	38	KEE BLOK - LEVER MODEL	12-13
DRILL BIT ADAPTERS	106	KEY TRAP	14
		KWIKSET 400 CYLINDER REMOVER	41

INDEX BY DESCRIPTION

KWIKSET SPINDLE SETTING TOOL	39	ROUTER TEMPLATE AR MS4002	91
LATCH MARKING TOOL	104	ROUTER TEMPLATE FOR AR 4501/4901 STRIKE	92
LATCH PROTECTOR	16	ROUTER TEMPLATE FOR AR 4502/4902 STRIKE	91
LEVER PULLING TOOL	43	ROUTER TEMPLATE FOR AR MS STRIKE	92
LOCK INDICATOR SIGN	35	ROUTER TEMPLATE FOR ASA STRIKE	81
LOCK MOUNTING BRACKETS	24-29	ROUTER TEMPLATE GUIDES	63-68, 73
LOCK SCREW ASSORTMENT	44-46	SAFE DEPOSIT NOSE PULLER	42
LOCKING SLIDE BOLTS	8	SAFE DOOR SHIM KIT	36
MASTER PADLOCK KEYING TOOL	40	SAFE INFORMATION CHARTS	36
METAL DOOR LATCH TOOL	37	SCHLAGE CYLINDER SHELL EXTENDER	39
MORTISE CYLINDER DRILL GUIDE	61	SCHLAGE SERVICE TOOL	40
MORTISE CYLINDER EXTENSION KIT	47-48	SCREWS - COMBINATION REPLACEMENT	44-46
MORTISE LOCK TEMPLATE GUIDES	88-92	SCREWS - LSA REPLACEMENT	44-46
MULTI SPUR DRILL BITS	102	SECRET GATE LATCH	22
OCTOPOD	19-21	SECURITY STRIKES	17
PATIO DOOR LOCKS	19-22	SELF CENTERING DRILL GUIDES	106
PIT BULL	37, 105	SHIM STOCK	39
PLUG FOLLOWER	40	SLIDE BOLTS	8
PRACTICE INSTALLATION STATION	53	SPADE TYPE BITS	102
PUNCH & DIE SET	38	SPINDLE SETTING TOOL	39
QUICK RELEASE HEX ADAPTER	103	STEEL ROD GUIDES	27
REPLACEMENT CYLINDER - KEE BLOK	11-13	STRIKE GUARD	30
REPLACEMENT DRILL BITS	103	STRIKE LOCATING TOOL - STEEL DOOR	37, 104
REPLACEMENT ROD GUIDES	27	STRIKE LOCATING TOOL - WOOD DOOR	37
RIM CYLINDER GUARD PLATE	16	STRIKE MARKING TOOLS	105
ROD GUIDES	27	STRIKE PLATES - REPLACEMENT	17
ROUTER BIT FOR CUTTING ALUMINUM	73, 76, 77, 88, 90	SUPER STRIKES	17
ROUTER BIT FOR CUTTING WOOD	73, 95	TANGLE RESISTANT CYL SPRINGS	39
ROUTER GUIDE FOR FLUSH BOLTS	77, 94		

INDEX BY NUMBER

100-A & D	16	CG Series	34	HIT-32AR8	61
103-A & D	16	CGM Series	34	HIT-32VD2	62
200-A & D	15	CGL Series	34	HIT-32VD9W	62
203-A & D	15	CG2 Series	35	HIT-32-380	62
205-A & D	15	CH-10	22	HIT-33 SERIES	63-65
207-A & D	15	CH-19	22	HIT-35 SERIES	66-68
209-A & D	15	CH-20	22	HIT-38MB1, 2 & 3	103
210-A & D	15	CH-28	22	HIT-40AR2	91
250	31	CMP-101	42	HIT-40AR3	91
260	31	CMP-475	42	HIT-40AR4	92
390-A & D	16	CRT-2	41	HIT-40AR5	92
5002-1-40A, B, C, D & W	20	CSS-100	39	HIT-40AR6	92
5002-1-9A,B,C,D & W	19	CSS-25	39	HIT-40AR7	92
5002-2-9A,B,C,D & W	19	DL-150	107	HIT-40AR8	92
5002-3-9A,B,C,D & W	19	DT-100	107	HIT-40MB3	93
5002-4-9A,B,C,D & W	19	DT-200	107	HIT-40SL3	93
5002-40RDZ	21	FB-1R & L	7	HIT-41AR1	88
5002-48RDZ	21	FB-2R & L	7	HIT-41AR2	88
5002-9RZ	21	FB-3R & L	7	HIT-41AR3	88
5002-GR1	21	FB-4R & L	7	HIT-41AR4	88
5002-GR2	21	FB-5R & L	7	HIT-41FA1	89
5002-GR3	21	HIT-101	55	HIT-41FA2	89
5002-RGA,B,C,D & W	21	HIT-102	56	HIT-41HS1	90
5002-SBA	21	HIT-107	56	HIT-41HS2	90
5002-SPA & D	21	HIT-108	56	HIT-41HS3	90
5202-1-88A,B,C,D & W	20	HIT-109	57	HIT-41HS4	90
5202-1-96A,B,C,D & W	20	HIT-110	57	HIT-41HS5	90
74	8	HIT-111	54	HIT-41HS6	90
76	8	HIT-115	57	HIT-41RC6	91
79	8	HIT-116	57	HIT-41RC7	91
A100	11	HIT-118	58	HIT-41RC8	91
A100-3300	11-13	HIT-12	55	HIT-41RC9	91
A100-3326	11-13	HIT-123	58	HIT-41SP6	81
A200	12	HIT-124	58	HIT-41VD5	91
A225	13	HIT-125	58	HIT-42FB6	94
A230	13	HIT-13	55	HIT-42FB8	94
A500L & R	10	HIT-131	59	HIT-44	98-99
AG1 Series	33	HIT-132	59	HIT-444	100
AG3 Series	33	HIT-133	59	HIT-445	101
AG4 Series	33	HIT-135	59	HIT-44A1,3 & 4	99
AG5 Series	32	HIT-145	60	HIT-44B10	102
ART-3	41	HIT-146	60	HIT-44B11	102
ARW-134	41	HIT-15	55	HIT-44B14	102
BB-100-200	9	HIT-151	60	HIT-44B15	102
CAK-15	49	HIT-2	54	HIT-44B17	102
CCA-ALL	49	HIT-20	54	HIT-44B18	102
CCB-ALL	49	HIT-22	61	HIT-44B19	102
CCD-ALL	49	HIT-23	37	HIT-44B21	102
CCT-100	38	HIT-24	38, 104	HIT-44B22	102
CCT-200	38	HIT-25	95	HIT-44BP2	99
		HIT-30 Series	69-70	HIT-44LM3	104
		HIT-303	71	HIT-44LM4	104
		HIT-32AL3	61	HIT-44QR1	103

INDEX BY NUMBER

HIT-44SL7	104	HIT-66-200	82	LMB-15	28
HIT-44SL8	104	HIT-66-200-100	82	LPT-255	43
HIT-44SL9	104	HIT-66-200-116	82	LPT-255 6-8	43
HIT-44SM5	105	HIT-66-210	83	LPT-255-100	43
HIT-44SM6	105	HIT-66-230	83	LPT-255-125	43
HIT-44SM7	105	HIT-66-235	83	LPT-255-130	43
HIT-44SM8	105	HIT-66-240	84	LS-1 TO 26	44
HIT-45	72	HIT-66-248	84	LS-28 & 29	45
HIT-452	74	HIT-66-250	84	LS-30,31,35,36,37,39,40	46
HIT-453	75	HIT-66-251	85	LSA-1	44
HIT-45AR1	76	HIT-66-255	85	LSA-3	45
HIT-45AR2	76	HIT-66-263	85	MCE-100	47
HIT-45AR3	76	HIT-66-264	86	MCE-X-012	47
HIT-45AR4	76	HIT-66-266	86	MCE-X-034	47
HIT-45AR5	77	HIT-66-268	86	MCE-X-100	47
HIT-45AR7	77	HIT-66-272	87	MCE-X-114	47
HIT-45AW3	78	HIT-66-280	87	MCE-D1 thru D10	48
HIT-45BE7	78	HIT-66-281	87	MCD-11	106
HIT-45BH1	78	HIT-66-282	87	MCD-13	106
HIT-45CR1	78	HIT-BAK	54	MCD-5	106
HIT-45FB1	77	HS-1 TO 9	36	MCD-7	106
HIT-45FL4	79	HSK-10	36	MCD-9	106
HIT-45FP5	81	JJB-134-24	18	MDA-116	106
HIT-45MK5	79	JJB-134-36	18	MDA-14	106
HIT-45ML1	79	JJE-134-16	18	MDA-18	106
HIT-45PQ1	79	JJE-138-16	18	MDA-316	106
HIT-45RB4	73, 76, 77, 88, 90	JJD-134-36	18	MDA-332	106
HIT-45RB8	76, 94	JJL-134-24, 36 & 72	18	MDA-532	106
HIT-45SA1	80	JJL-138-24, 36 & 72	18	MDA-732	106
HIT-45SL1	80	JP-10	23	MDLT-1	37, 105
HIT-45TG1 & 6	73	JP-10-100	23	MDPS-4, 6 & 8	38
HIT-45UN2	80	JP-12	23	MKP-1	40
HIT-45UN8	80	JP-12-100	23	MQC-2	106
HIT-45YA2	80	JP-22	23	S200-SPA & B	22
HIT-460	53	KCT-2	41	S200-250	22
HIT-461	53	KSP-4	39	SCA-10	39
HIT-462	53	KT-110 - 710 SERIES	14	SCT-1	40
HIT-50	96	LIS	35	SCT-3	40
HIT-50B1	102	LMB-01	24	SGA-1	30
HIT-50B9	102	LMB-02	24	SGD-1	30
HIT-50BP2	96, 97	LMB-03	25	SIC-5	36
HIT-501	96	LMB-033 & 034	25-26	SS-610	17
HIT-55	97	LMB-04	26	SS-620B & C	17
HIT-55B14	102	LMB-05	27	SS-630B & C	17
HIT-55BP2	97	LMB-06	27	SS-640B & C	17
HIT-551	97	LMB-07	27	SS-660B	17
HIT-66	82	LMB-08	29	TRS-100	39
HIT-66-110	82	LMB-089	29	TRS-1000	39
		LMB-10	24	TRS-250	39
		LMB-11	24	WW-10	50
		LMB-12	25		

FILE CABINET BAR

File cabinet locking bar mounts on left hand side of cabinet for standard applications. A right hand model is also available for special applications. Will not block adjoining cabinets when in either locked or unlocked position. Red tape strip on inside of locking bar indicates unlocked position and protects painted finish on filing cabinet when locked. May also be used to lock sliding drawers on roll-away tool cabinets, or any cabinet with steel drawers. Individually boxed with fasteners, padlock not included. Requires a 5/8" frame on cabinet side and 1" on the bottom for mounting.



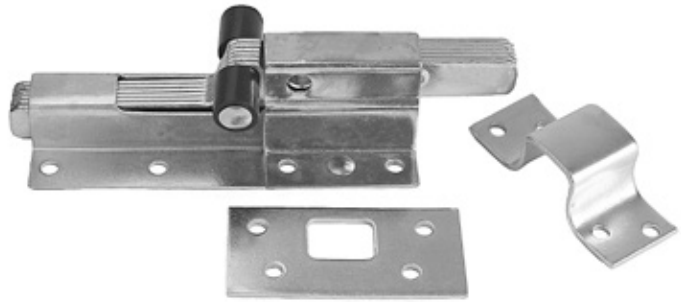
- FB-1L** 18-3/4" OAL for desk drawers / Left Hand Mount
- FB-1R** 18-3/4" OAL for desk drawers / Right Hand Mount
- FB-2L** 23-1/2" OAL for 2 drawer cabinets / Left Hand Mount
- FB-2R** 23-1/2" OAL for 2 drawer cabinets / Right Hand Mount
- FB-3L** 33" OAL for 3 drawer cabinets / Left Hand Mount
- FB-3R** 33" OAL for 3 drawer cabinets / Right Hand Mount
- FB-4L** 49-1/2" OAL for 4 drawer cabinets / Left Hand Mount
- FB-4R** 49-1/2" OAL for 4 drawer cabinets / Right Hand Mount
- FB-5L** 55" OAL for 5 drawer cabinets / Left Hand Mount
- FB-5R** 55" OAL for 5 drawer cabinets / Right Hand Mount

LOCKING SLIDE BOLTS

74

4" Locking Neck Bolt

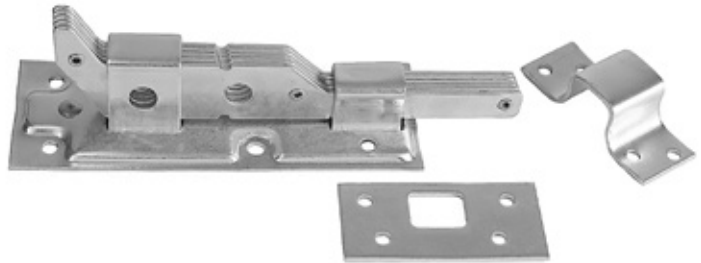
Smaller 4" version of model 79 bolt. 4" locking neck bolt complete with two types of strikes and fasteners. Laminated bolt has a full 1-1/8" throw and can be locked in the open or closed position. Offset of neck bolt is 3/4". Base size is 2" x 4-1/2". Will accept padlocks with shackles up to 1/4" diameter. Steel body is zinc plated.



76

6" Locking Surface Bolt

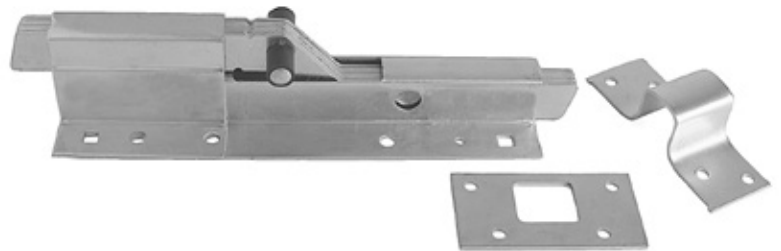
6" locking surface bolt complete with two types of strikes and fasteners. Laminated bolt has a full 1-1/8" throw and can be locked in the open or closed position. Base size is 2" x 5-1/2". Will accept padlocks with shackles up to 11/32" diameter. Steel body is zinc plated.



79

9" Locking Neck Bolt

Large 9" locking neck bolt complete with two types of strikes and fasteners. Laminated bolt has a full 1-1/2" throw and can be locked in the open or closed position. Offset of neck bolt is 1-1/4". Base size is 2-3/4" x 9". Will accept padlocks with shackles up to 7/16" diameter. Steel body is zinc plated.



For new product updates and the latest up to the minute information, please sign up for e-mail bulletins at www.majormfg.com.

BLOCKADE BAR

BB-100 and BB-200 Series



The ideal way to secure out swinging doors found in shops, businesses and commercial buildings. A tube steel bar is mounted to the door with special through bolts and secured with a second bar that drops on with "L" bolts. The removable bar is powdercoated red for high visibility and is supplied with a hanger bracket for daytime storage. Included is a caution decal that states "THIS DOOR TO REMAIN UNLOCKED DURING BUSINESS HOURS". Each bar includes all mounting hardware, caution decal and hanger bracket.

Part No.

- BB-100-36** Blockade Bar for 36" Out Swing Door
- BB-100-42** Blockade Bar for 42" Out Swing Door
- BB-100-48** Blockade Bar for 48" Out Swing Door
- BB-100-72** Blockade Bar for 72" Out Swing Double Door

Part No.

- BB-200-36** Blockade Bar for 36" Out Swing Door, locks with padlock
- BB-200-42** Blockade Bar for 42" Out Swing Door locks with padlock
- BB-200-48** Blockade Bar for 48" Out Swing Door locks with padlock
- BB-200-72** Blockade Bar for 72" Out Swing Double Door locks with padlock



BB-125-13 Extra Long "L" Hook Bolts for BB-100

BB-225-13 Extra Long "L" Hook Bolts for BB-200

Extra long "L" bolts for doors mounted in deeper than normal jambs. Overall length is 13 inches. Package includes nuts, thread locker and black cover caps.

BB-125-15 Caution Decal

Caution decal, red with white letters. Overall size is 3 inches by 25 inches.



Stronger Than Ever!
Major Manufacturing's

GARAGEBLOK T.M.

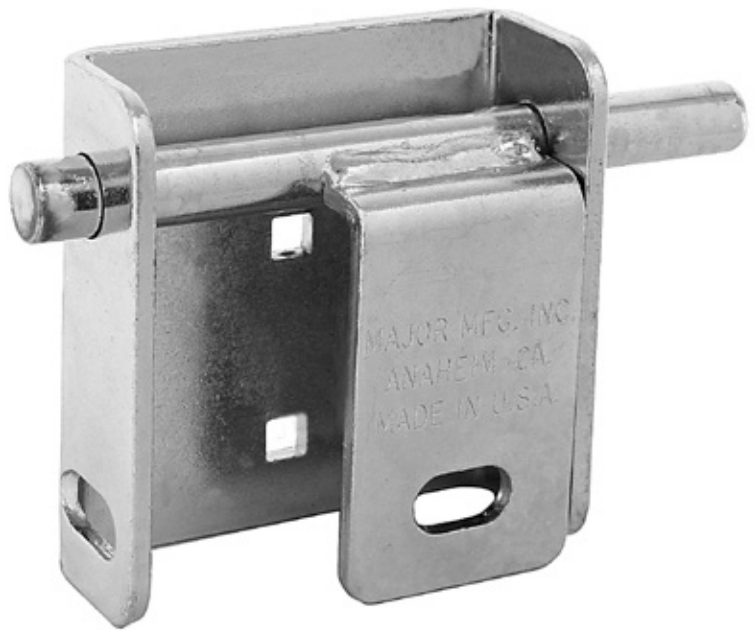
Jimmie-Proof, Fortress-Like Shield For The Garage, Warehouse, Overhead or Swinging Doors and Many Other Applications

In the time they try to: Jimmie, Pry, Bust, Smash or Saw a Garage Door with a Major "Garage Blok" on each side, they'll have to break the door down.

- Incorporates a hardened steel bolt and built-in "lock shield" which all but eliminates sawing either in half.
- 5/8" hardened steel locking bolt featuring a **centered point** for **pin-point drilling accuracy** for installing strike.
- Protective padlock shield.
- Tough, armored **2-1/4 pound 3/16" steel housing**, plated in zinc chromate.
- Anchored by four 5/16" carriage bolts. Bolts, washers, nuts and strike supplied for mounting.
- Blok can be locked in open bolt position to prevent theft of padlock or door being inadvertently locked.
- Available in **both right and left side models**.
- Easily installed in minutes.



Model A500L



Model A500R

A100 & A100-178 KEE-BLOK®

Blocks All Existing Keys To A Knob-Lock In Seconds!

The A100 Kee Blok® will fit most standard key in knob locks from Schlage, Kwikset, Marks, etc. The A100-178 is designed to fit the larger "Ball" design knobs used by Corbin/Ruswin, Yale and Schlage.



A100

Portable! Light! Strong!

- Fits 90% Of All Knob Locks.
- Fits Many Popular Models Of Padlocks.
- Prevents Entry Of Any Existing Keys.
- Portable! Fits In The Palm Of Your Hand.
- Added Protection! A New Lock In Just Seconds.
- Available "Keyed Alike" And "Keyed Different".
- High Strength Aluminum Alloy.

Vacationing or traveling on business? Ever wonder how many keys were available to your motel or hotel room? — **"KEE-BLOK®" will dissolve your fears!**

Lost your house or office key and it's too late to call a locksmith? Acquire a **"KEE-BLOK®"** for those emergencies and **your problem is solved in seconds.**

Schools and colleges! Changes in personnel, lost keys or too many keys available to certain rooms?— **"KEE-BLOK®" is your answer!** Either "Keyed Alike" or "Keyed Different".

A Must For All Travelers!

- Homes ■ Motels ■ Hotels ■ Offices
- Schools ■ Colleges
- Government Buildings ■ Mobile Homes
- Stores ■ And Many Other Applications

Standard Finish Silver Powdercoat

KEE BLOK®-Key Codes

MMC1-25	Uses	Chicago Key Blank	K4
MMC26-50	Uses	Chicago Key Blank	K4R
MMC51-75	Uses	Chicago Key Blank	K4L
MMC76-100	Uses	Chicago Key Blank	K4W
MMC101-125	Uses	Chicago Key Blank	K4XV

A100-3326 Replacement Cylinder

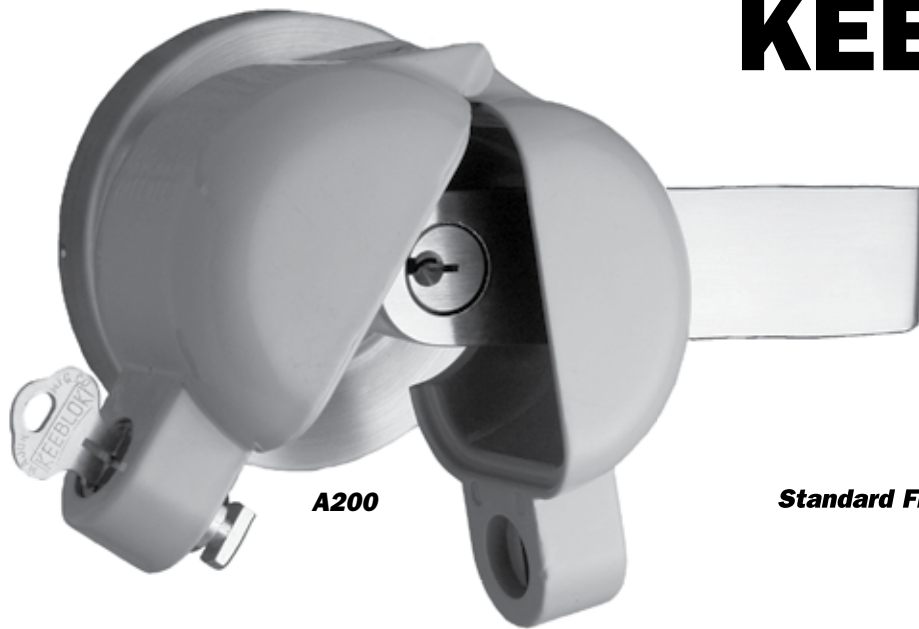
For all KEE-BLOK® models 25 different keyed alike and 100 keyed different changes available.



A100-3300 Set of keys for KEE-BLOK®

**Blocks All Existing Keys To A
Lever Handle In Seconds!**

A200 KEE-BLOK®



A200

Standard Finish Silver Powdercoat

Portable! Light! Strong!

- Fits Most Lever Handle Locks.
- Prevents Entry Of Any Existing Keys.
- Portable! Fits In The Palm Of Your Hand.
- Added Protection! A New Lock In Just Seconds.
- Available "Keyed Alike" And "Keyed Different".
- High Strength Aluminum Alloy.

Fits

- Schlage Rhodes ■ Schlage Oly
- Arrow Sierra ■ Sargent 10 Line Series
- Falcon DG ■ Lockwood Lever
- U.S. Lock ■ Cal Royal Appolo
- LSDA Lever ■ S. Parker Hardware
- Sargent 6500 Series Lever
- And Many Other Models

KEE BLOK®-Key Codes

MMC1-25	Uses	Chicago Key Blank	K4
MMC26-50	Uses	Chicago Key Blank	K4R
MMC51-75	Uses	Chicago Key Blank	K4L
MMC76-100	Uses	Chicago Key Blank	K4W
MMC101-125	Uses	Chicago Key Blank	K4XV



A100-3326 Replacement Cylinder

For all KEE-BLOK® models
25 different keyed alike
and 100 keyed different
changes available.

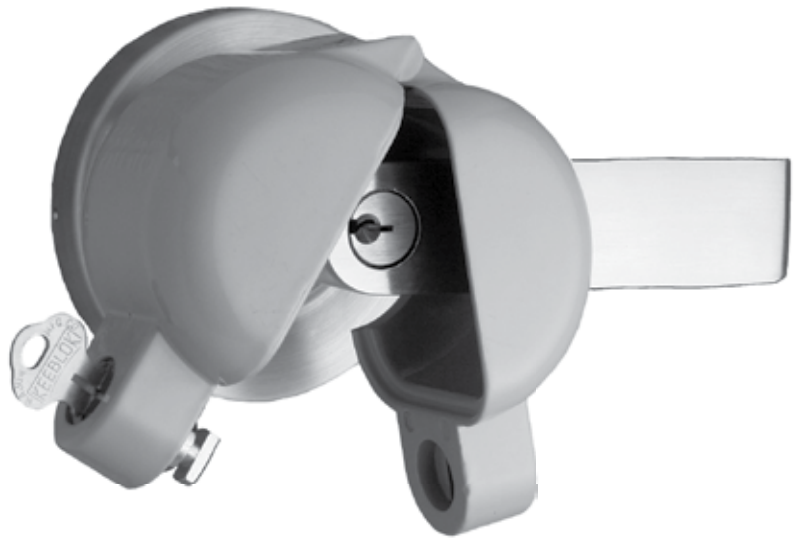


**A100-3300
Set of keys for KEE-BLOK®**

A225 & A230 KEE-BLOK®

BLOCKS ALL EXISTING KEYS TO A LEVER HANDLE IN SECONDS!

Our models A225 and A230 Kee Blok® are designed to lock over the larger lever handle locks manufactured by Falcon, General, PDQ, Yale and others. Like our other Kee Blok® models just lock over the lever and all existing keys are locked out. Available keyed alike and keyed different. See our WEB site for a compatibility chart.



A225 fits Falcon, General, Marks, PDQ and Yale grade 1 levers.

A230 fits Corbin/Russwin grade 1 levers.

Portable! Light! Strong!

- Fits Most Lever Handle Locks.
- Prevents Entry Of Any Existing Keys.
- Portable! Fits In The Palm Of Your Hand.
- Added Protection! A New Lock In Just Seconds.
- Available "Keyed Alike" And "Keyed Different".
- High Strength Aluminum Alloy.

Standard Finish Silver Powdercoat

KEE BLOK®-Key Codes

MMC1-25	Uses	Chicago Key Blank	K4
MMC26-50	Uses	Chicago Key Blank	K4R
MMC51-75	Uses	Chicago Key Blank	K4L
MMC76-100	Uses	Chicago Key Blank	K4W
MMC101-125	Uses	Chicago Key Blank	K4XV



A100-3326 Replacement Cylinder

For all KEE-BLOK® models 25 different keyed alike and 100 keyed different changes available.



A100-3300 Set of keys for KEE-BLOK®

KEY TRAP

KEY CONTROL SOLUTIONS

Available Models

■ KT-110 Single Unit - Standard

■ KT-120 2-Gang

■ KT-130 3-Gang

■ KT-140 4-Gang

■ KT-210 Single Unit - Medeco

■ KT-220 2-Gang

■ KT-230 3-Gang

■ KT-240 4-Gang

■ KT-310 Single Unit - Best Type

■ KT-320 2-Gang

■ KT-330 3-Gang

■ KT-340 4-Gang

NOTE: KT-300 Series includes mortise cylinder housing.

■ KT-410 Single Unit - Schlage Primus & Everest Primus

■ KT-420 2-Gang

■ KT-430 3-Gang

■ KT-440 4-Gang

■ KT-510 Single Unit - Schlage Interchangeable Core Cylinder - all types

■ KT-520 2-Gang

■ KT-530 2-Gang

■ KT-540 2-Gang



Model KT-310 shown.

■ KT-610 Single Unit - ASSA Twin Cylinder

■ KT-620 2-Gang - ASSA Twin Cylinder

■ KT-630 3-Gang - ASSA Twin Cylinder

■ KT-640 4-Gang - ASSA Twin Cylinder

■ KT-710 Single Unit - Corbin, Russwin & Yale I/C

■ KT-720 2-Gang - Corbin, Russwin & Yale I/C

■ KT-730 3-Gang - Corbin, Russwin & Yale I/C

■ KT-740 4-Gang - Corbin, Russwin & Yale I/C

■ KT-810 Single Unit - Yale Large Format Removable Core Cylinders

■ KT-820 2-Gang - Yale Large Format Removable Core Cylinders

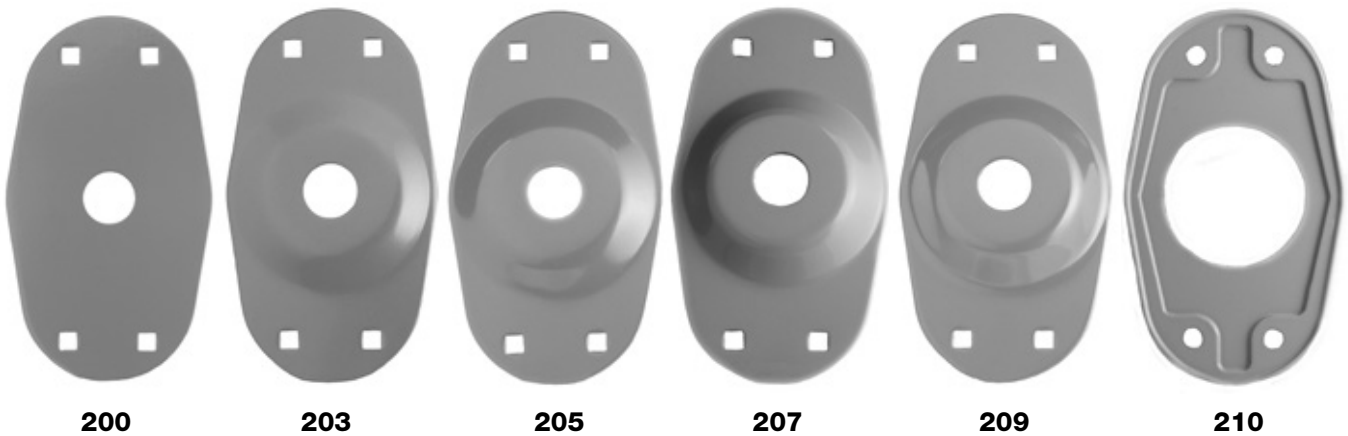
■ KT-830 3-Gang - Yale Large Format Removable Core Cylinders

■ KT-840 4-Gang - Yale Large Format Removable Core Cylinders

A simple way to help solve key control problems. A master or operating key can be left locked in the key trap block as shown above. A check out key with a serial number that will identify the user is then used to release the master key. The check out key is left locked in the key trap. Returning the master key will un-lock the check out key and re-lock the master in the block. The key trap is available in one, two, three and four block gangs. The block is locked to a mounting base with a round "Ace" type key. Uses standard 1-1/8" or longer mortise cylinders (not included). Models are available for standard mortise cylinders, Best type cylinders, Medeco and many others.

Contact our customer service department for compatibility of other cylinders.

DELUXE GUARD PLATES



ADDITIONAL SECURITY FOR MORTISE AND TUBULAR DEADBOLTS. COMPLETELY COVERS LOCK AND PROVIDES AN EXTRA DEFENSIVE BARRIER. GUARD PLATES ARE THRU-BOLTED FOR EXTRA SECURITY.

200-A Flat steel guard plate with 13/16" cylinder hole in center. May be used with 210 riser plate.
200-D Aluminum or duranodic powdercoat finish. Supplied with mounting hardware.

203-A Steel guard plate with 3/16" rise and 13/16" cylinder hole in center. May be used with 210
203-D riser plate. Aluminum or duranodic powdercoat finish. Supplied with mounting hardware.

205-A Steel guard plate with 5/16" rise and 13/16" cylinder hole in center. May be used with 210
205-D riser plate. Aluminum or duranodic powdercoat finish. Supplied with mounting hardware.

207-A Steel guard plate with 7/16" rise and 13/16" cylinder hole in center. May be used with 210
207-D riser plate. Aluminum or duranodic powdercoat finish. Supplied with mounting hardware.

209-A Steel guard plate with 9/16" rise and 13/16" cylinder hole in center. May be used with 210
209-D riser plate. Aluminum or duranodic powdercoat finish. Supplied with mounting hardware.

210-A Riser plate for use with 200 series guard plates. Reversible for 1/4" or 1/2" rise. Aluminum
210-D or duranodic powdercoat finish.

Available for use on Best style interchangeable cores. Add 8 to end of part number for figure-eight cut out.
Example: 2008-A for flat steel guard plate.

RIM LOCK CYLINDER GUARD



MODEL 100



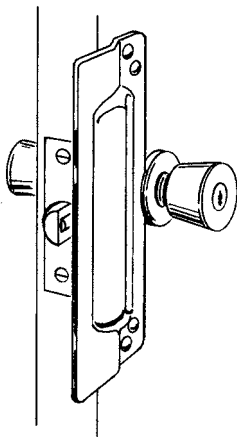
MODEL 103

3/32" steel guard plate completely covers rim cylinder leaving only a 13/16" hole for the key. Overall size is 3" x 5-7/8". Model 100 is a flat plate and model 103 has a 3/16" center rise. Both models are available in an aluminum or duranodic powdercoat finish.

- 100-A** Rim cylinder guard flat aluminum powdercoat
- 100-D** Rim cylinder guard flat duranodic powdercoat
- 103-A** Rim cylinder guard 3/16" center rise aluminum powdercoat
- 103-D** Rim cylinder guard 3/16" center rise duranodic powdercoat

LATCH GUARD PROTECTOR

Heavy gauge steel latch protector covers the strike area. For use on cylindrical and mortise style locks. Overall size is 3" x 11". Complete with mounting hardware.



- 390-A** Latch protector aluminum powdercoat
- 390-D** Latch protector duranodic powdercoat



SUPER STRIKES



SS-610



SS-620



SS-630



SS-640



SS-660

The use of our Super Strikes is an easy way to add more security to an existing lock or repair a damaged strike area. All strikes are supplied with longer than normal screws to reach the solid stud area behind the door jamb.

SS-610C Re-enforcing plate for electric strikes in wood frames. Will fit Trine 001 and similar size strikes. 10" x 2" chrome finish. Supplied with fasteners.

SS-620B Designed for mortise lock sets. Brass or chrome finish. 10" x 1-3/4". Supplied with fasteners.
SS-620C

SS-630B Designed for tubular deadbolt locks. Brass or chrome finish. 6" x 1-1/8". Supplied with fasteners.
SS-630C

SS-640B Lip strike designed for key in knob type locks. Brass or chrome finish. 6" x 1-1/8". Supplied with fasteners.
SS-640C

SS-660B Re-enforcing plate designed for Jimmy Proof Dead Locks. 7-5/8" x 1-3/8". Brass plated. Jimmy proof strike shown with bracket but not included. Supplied with fasteners.

For new product updates and the latest up to the minute information, please sign up for e-mail bulletins at www.majormfg.com.

The Door Jamb Reinforcer

JAMB JACKET

Whether it's damaged by a crow bar break-in or someone's carelessness with heavy equipment slamming into the door frame, "JAMB JACKET" is the minimal cost solution.

- All "Jamb Jackets" are manufactured from sheet metal approximately 1/16" thick.
- Repairs and covers damaged and splitout door jambs without the expense of replacing the whole jamb.
- Adds reinforcement to healthy undamaged jambs for additional security.
- 72" length can be used to protect door jamb from cart and gurney damage.
- Non-handed. Can be used on right or left hand doors.
- Designed to cover standard 1/2" rabbeted jamb.
- Finished in Beige Powdercoat finish for durability. (May be repainted to match existing frame.)
- "Jamb Jacket" is recessed to accommodate T-strike. Available in 24", 36" and 72" lengths for 1-3/8" and 1-3/4." doors. Supplied with strike plate and mounting screws.
- "Econo Gard" is available in 16" lengths only and is not recessed to accommodate T-strike. Packaged with mounting screws.



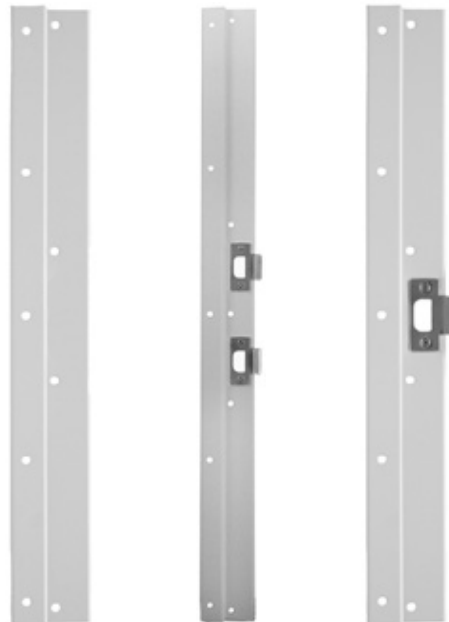
JJL-138-24	for 1-3/8" Door	24" Long Plate
JJL-138-36	for 1-3/8" Door	36" Long Plate
JJL-138-72	for 1-3/8" Door	72" Long Plate
JJL-134-24	for 1-3/4" Door	24" Long Plate
JJL-134-36	for 1-3/4" Door	36" Long Plate
JJL-134-72	for 1-3/4" Door	72" Long Plate

JJB-134-24	for 1-3/4" Door	24" Long Blank Plate
JJB-134-36	for 1-3/4" Door	36" Long Blank Plate
JJE-138-16	for 1-3/8" Door	16" Econo Gard Plate
JJE-134-16	for 1-3/4" Door	16" Econo Gard Plate

JJD-134-36

DOUBLE STRIKE JAMB JACKET

The JJD Jamb Jacket is to be used with a cylindrical lock or lever with a deadbolt. The double strike model has the strike plates mounted with a 5-1/2 inch center to center spacing. It is designed for a 1-3/4" jamb and is mounted with 10 #10 screws 2-1/2" long. The Jamb Jacket is made from sheet metal approximately 1/16 inches thick and finished in almond Powdercoat.



JJB Series

JJD-134-36

JJL Series

The Versatile Surface Mounted Deadbolt

Gets-A-Hold

Won't-Let-Go!

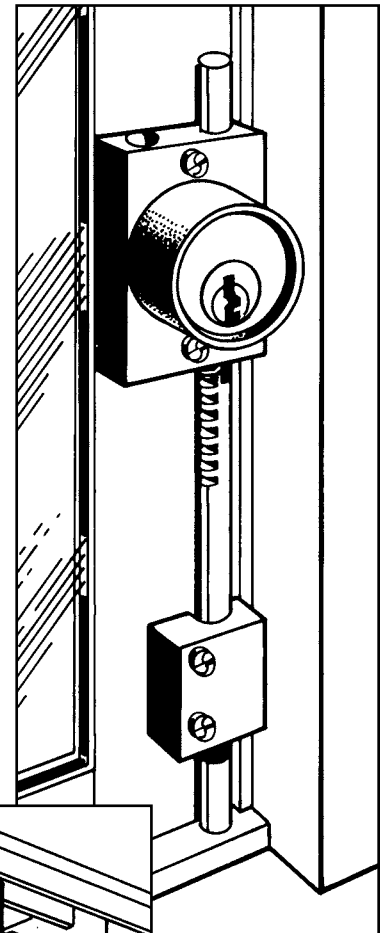


Ideal For: Sliding Patio Doors, Sliding Windows, Swinging Doors, Double Doors, French Doors, Plus!

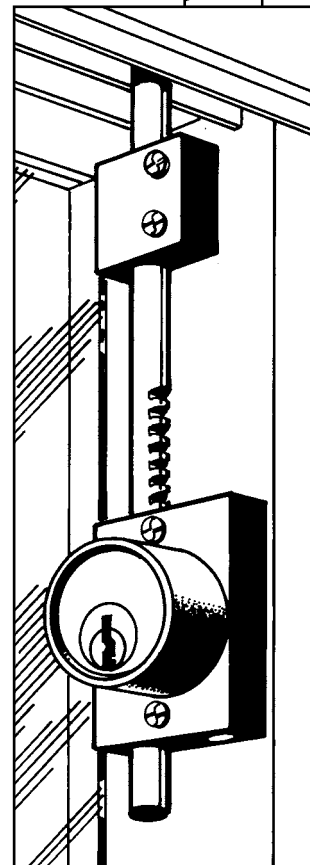
- Octopod body, 1-5/8" wide x 2-7/8" tall. Guide 1" wide x 1-1/4" tall.
- Can be used on narrow stile doors and frames with a frame width of only 1-5/8".
- Lock housing will accept a standard 1-1/8" mortise cylinder (not included) enabling it to be keyed to other locks in a system.
- Mounts at top or bottom of door or both.
- Equipped with a 3/8" diameter x 9" long locking bolt with a 2-3/8" throw as standard. Other models available. See following page.
- Each lock is supplied with a #1 gear (for use with standard mortise cylinders) locking rod, one way screws and instructions.
- Special gears are available for use with GMS I/C and other high security cylinders.

Available Models

- | | |
|------------------|---|
| 5002-1-9A | Aluminum Powdercoat #1 gear |
| 5002-1-9B | Polished Brass #1 gear |
| 5002-1-9C | Polished Chrome #1 gear |
| 5002-1-9D | Duranodic Powdercoat #1 gear |
| 5002-1-9W | White Powdercoat #1 gear |
| 5002-2-9A | Aluminum Powdercoat #2 Medeco gear |
| 5002-2-9B | Polished Brass #2 Medeco gear |
| 5002-2-9C | Polished Chrome #2 Medeco gear |
| 5002-2-9D | Duranodic Powdercoat #2 Medeco gear |
| 5002-2-9W | White Powdercoat #2 Medeco gear |
| 5002-3-9A | Aluminum Powdercoat #3 ASSA V-10 gear |
| 5002-3-9B | Polished Brass #3 ASSA V-10 gear |
| 5002-3-9C | Polished Chrome #3 ASSA V-10 gear |
| 5002-3-9D | Duranodic Powdercoat #3 ASSA V-10 gear |
| 5002-3-9W | White Powdercoat #3 ASSA V-10 gear |
| 5002-4-9A | Aluminum Powdercoat with #4 gear for GMS I/C housing |
| 5002-4-9B | Polished Brass with #4 gear for GMS I/C housing |
| 5002-4-9C | Polished Chrome with #4 gear for GMS I/C housing |
| 5002-4-9D | Duranodic Powdercoat with #4 gear for GMS I/C housing |
| 5002-4-9W | White Powdercoat with #4 gear for GMS I/C housing |



▲ **Installation at base of sliding patio door.**



◀ **Installation at top of center or side of sliding door.**

Gets-A-Hold Won't-Let-Go!



OCTOPOD^{T.M.}

Octopod Models

5002 Series Single Point / 1 Locking Rod 3/8" diameter. These units are supplied with a 9 or 40 inch locking rod. A 360 degree rotation of the key will drive the locking rod 2-3/8 inches. All required parts for installation supplied including rod guides and both phillips and one-way screws, cylinder is not included. Requires a 1-1/8 inch mortise cylinder.

5202 Series Double Point / 2 Locking Rods 3/8" diameter. Surface mounted on the inside of door in either the horizontal or vertical position. A 360 degree rotation of the key will simultaneously drive both rods 2-3/8 inches. May be reverse mounted with only the cylinder exposed from the outside. Octopod 5202 Series are supplied with six rod guides and both phillips and one-way screws and all parts needed for installation except cylinder. Requires a 1-1/8 inch mortise cylinder.

Octopod Dimensions

Octopod body, 1-5/8" wide x 2-7/8" tall. Guide 1" wide x 1-1/4" tall.

5002-1-40

Single Rod Model With One 40" Rod
Distance From Center Of Lock Case To End Of Rod
When Un-Locked-36" - When Locked 38-3/8"

5002-1-40A	Single Rod	Aluminum Powdercoat
5002-1-40B	Single Rod	Brass Plated
5002-1-40C	Single Rod	Chrome Plated
5002-1-40D	Single Rod	Duranodic Powdercoat
5002-1-40W	Single Rod	White Powdercoat

5202-1-88

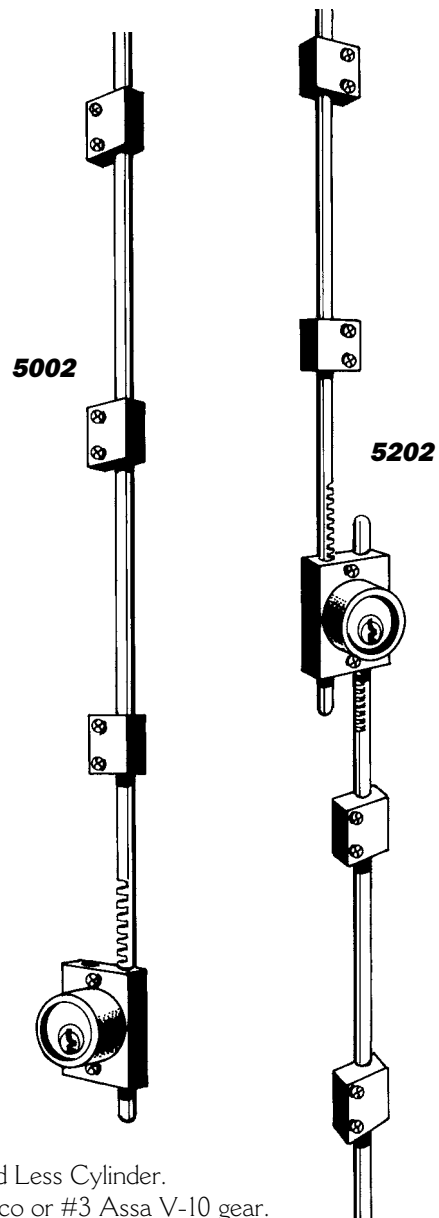
Double Rod Model With One 40" Rod And One 48" Rod
Distance From Center Of Lock Case To End Of Bottom Rod
When Un-Locked-36" - When Locked 38-3/8"
Distance From Center Of Lock Case To End Of Top Rod
When Un-Locked-43-1/2" - When Locked 45-7/8"
Length Of Rods End To End
When Un-Locked-79-1/2" - When Locked 84-1/8"

5202-1-88A	Double Rod	Aluminum Powdercoat
5202-1-88B	Double Rod	Brass Plated
5202-1-88C	Double Rod	Chrome Plated
5202-1-88D	Double Rod	Duranodic Powdercoat
5202-1-88W	Double Rod	White Powdercoat

5202-1-96

Double Rod Model With Two 48" Rods
Distance From Center Of Lock Case To End Of Rods
When Un-Locked 43-1/2" & 44" - When Locked 45-7/8" & 46-3/8"
Length Of Rods End To End
When Un-Locked-87-1/2" - When Locked 92-1/4"

5202-1-96A	Double Rod	Aluminum Powdercoat
5202-1-96B	Double Rod	Brass Plated
5202-1-96C	Double Rod	Chrome Plated
5202-1-96D	Double Rod	Duranodic Powdercoat
5202-1-96W	Double Rod	White Powdercoat

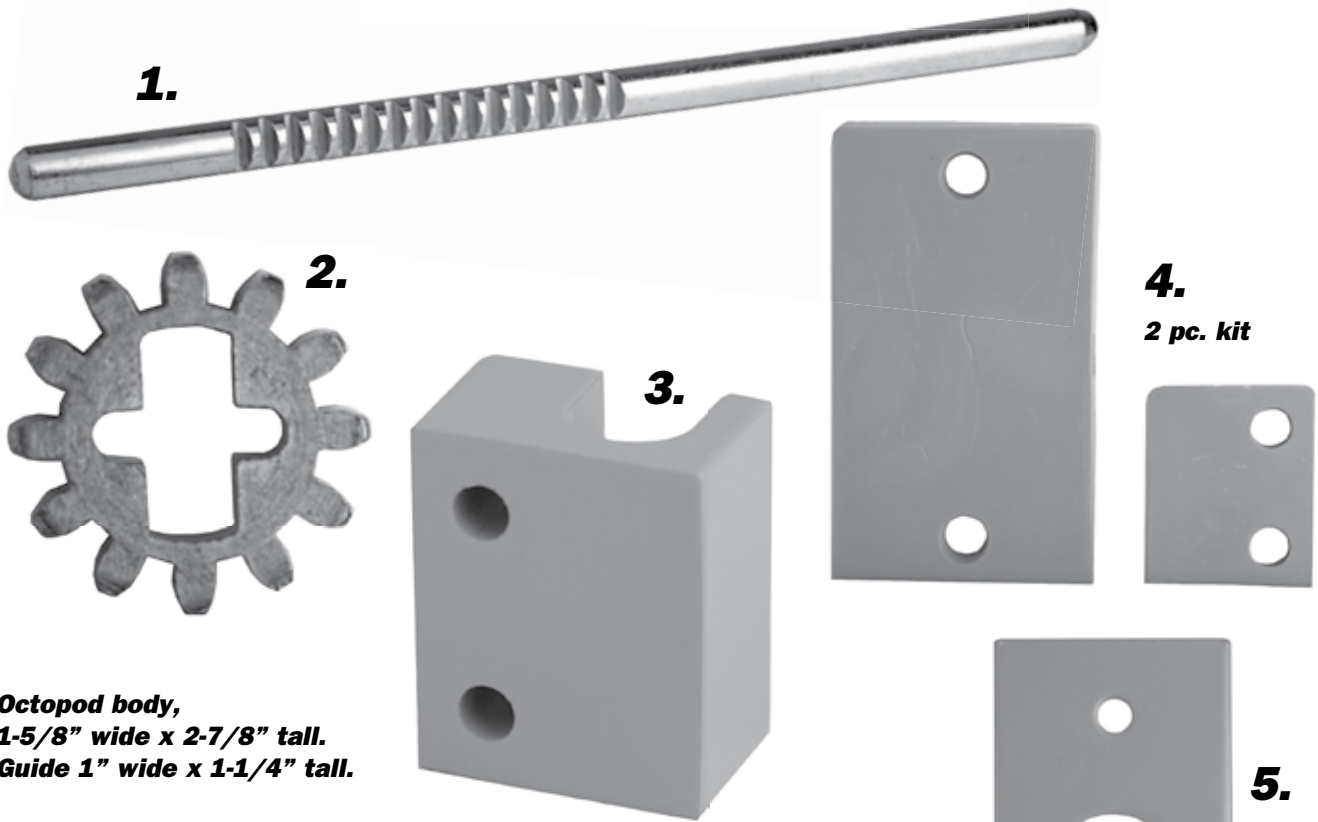


NOTE: All Octopods Are Supplied Less Cylinder.

All models available with optional #2 Medeco or #3 Assa V-10 gear.

Gets-A-Hold  **Won't-Let-Go!**

OCTOPOD T.M.



Octopod body,
1-5/8" wide x 2-7/8" tall.
Guide 1" wide x 1-1/4" tall.

Octopod Replacement Parts

- 1. 5002-40RZ** Locking Rod 3/8" diameter x 40 inch length, zinc finish.
5002-48RZ Locking Rod 3/8" diameter x 48 inch length, zinc finish.
5002-9RZ Locking Rod 3/8" diameter x 9 inch length, zinc finish.
- 2. 5002-GR1** Standard Cam Gear, supplied with screws and washers.
5002-GR2 Medeco Cam Gear, supplied with screws and washers.
5002-GR3 Assa V-10 Cam Gear supplied with screws and washers.
5002-GR4 GMS Cam Gear for use with GMS I/C core housing, supplied with screws and washers.
- 3. 5002-RGA** Rod Guide, Aluminum Powdercoat, supplied with phillips head and one way screws.
5002-RGB Rod Guide, Brass Plated, supplied with phillips head and one way screws.
5002-RGC Rod Guide, Chrome Plated, supplied with phillips head and one way screws.
5002-RGD Rod Guide, Duranodic Powdercoat, supplied with phillips head and one way screws.
5002-RGW Rod Guide, White Powdercoat, supplied with phillips head and one way screws.
- 4. 5002-SBA** Optional Spacer Block Kit, raises lock body and rod guide 1/4 inch from surface.
 Aluminum color only.
- 5. 5002-SPA** Optional Surface Strike, Aluminum Powdercoat, supplied with screws.
5002-SPD Optional Surface Strike, Duranodic Powdercoat, supplied with screws.

Ingeniously Simple But Oh So Effective Sliding Patio Door Security

THE **CINCHER**™

- Completes and complements an alarm system
- Tamper-proof design (capped ends and concealed mounting screws)
- Door cannot be lifted off track or opened with The Cincher in place
- Provides minimum to maximum security to a sliding patio door
- Oh so easy to install
- Developed for inside installation only

Features

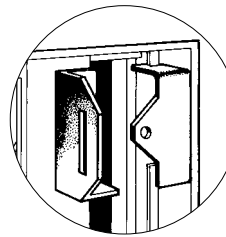
- 14 gauge steel stamping
- Secured with an S-Hook (1/4" dia. x 2" included) or equivalent
- Padlock (not included) secures door as a dead-bolt (only when home is vacated)
- Powdercoat finish in 4 colors

Specifications

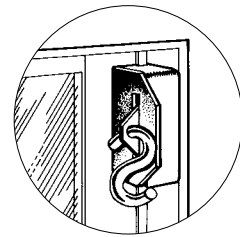
- .074 steel stamping (3/4" sq. x 2-3/4" long with 2 interlacing free sides)
- Six #10 x 3/4" sheet-metal screws included

Code No. & Colors

- CH-10** Almond Powdercoat
- CH-19** Black Powdercoat
- CH-28** Aluminum Powdercoat
- CH-20** Duranodic Powdercoat



So Simple...



So Secure!

Puzzling To The Unwelcome! **SECRET GATE LATCH**™

- Hidden button in bottom of case retracts latch for the informed.
- Exposed dummy knob frustrates the unwelcome intruder.
- For use on "bank type" office gates where minimum security is required.
- Latch is reversible.
- Supplied with strike plate, mounting screws and dummy knob.
- Approximate case size is 2" x 2-1/2"

S200-SPA Aluminum body, Plated Chrome.

S200-SPB Aluminum body, Plated Brass.

S200-250 Replacement spring for the Secret Gate Latch.

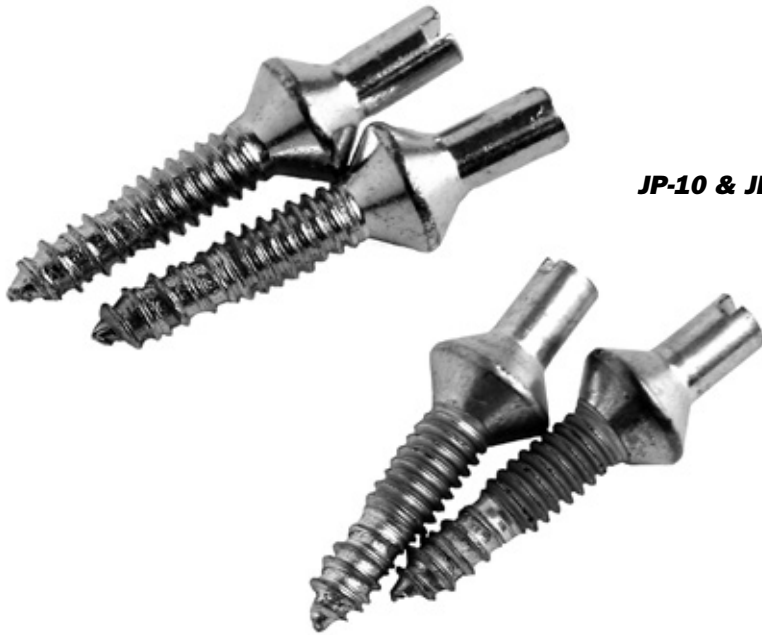


▲
Hidden Button

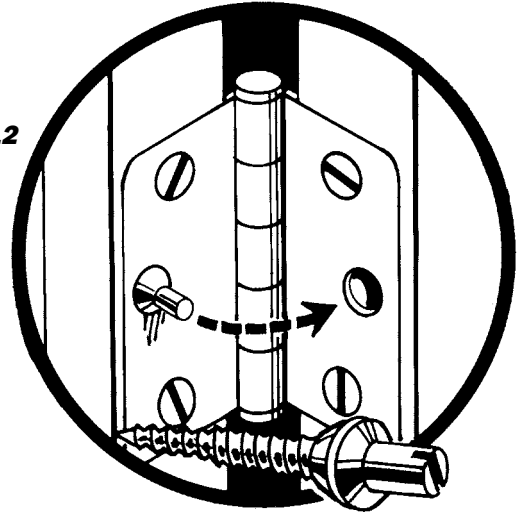


Secures Out-Swinging Doors with Loose Pin Hinges

JAMB PINS T.M.



JP-10 & JP-12



- **JP-10 & JP-12 Pins:** Simply remove one opposing screw from each hinge leaf and replace with the proper size Jamb Pin.
- Secures door in jamb when closed if hinge pin is removed.
- For use on wood or metal doors and jambs.
- Jamb Pins have a combination wood and machine thread.

JP-10: For residential hinges using #10 screw. Machine screw thread is 10-24. 2 pins per pack.

JP-10-100: Bulk Pack. 100 per pack.

JP-12: For commercial hinges using #12 screw. Machine screw thread is 12-24. 2 pins per pack.

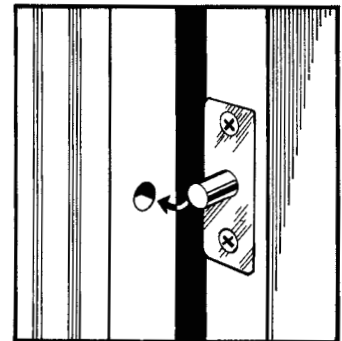
JP-12-100: Bulk Pack. 100 per pack.



JP-22 JAMB PIN

Jamb pin for added security on hinge side of door. To install, drill a 1/4" hole in center of door frame and secure with mounting screws (supplied). Drill a 1/2" hole in the door to receive pin and installation is complete.

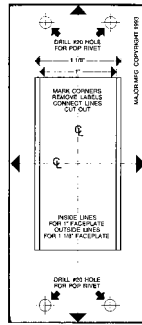
Note: JP-22 may have to be mortised flush on tight fitting doors. Packed two per bag with fasteners, zinc plated.



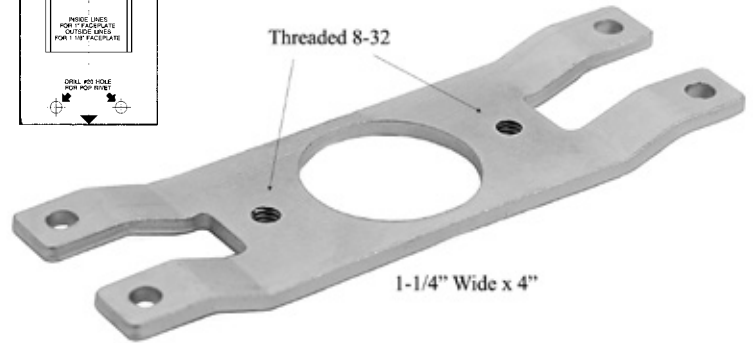
LOCK MOUNTING BRACKETS

LMB-01 **For Tubular Latch in** **Hollow Metal Door**

The LMB-01 will make installing cylindrical knob locks or dead-bolts on metal doors now faster and easier than ever. The LMB-01 mounting bracket is stamped from 12 gauge cold rolled steel for strength, installed with pop-riquets for convenience, and supplied with an adhesive template for accuracy. The LMB-01 mounting bracket is also cut out in the center to allow installations on metal doors with a center seam. The template is marked for 1" and 1-1/8" faceplate cutouts as well as for bracket mounting holes and center lines to locate the crossbore. LMB-01 is supplied complete with template and steel pop-riquets.

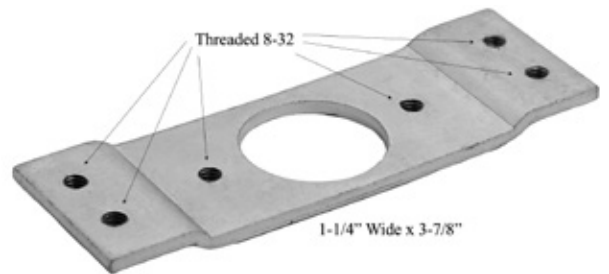


Installation Template



LMB-11 **For Tubular Latch in Hollow** **Metal Door**

Economy version of our LMB-01 bracket. Mounts to steel door with four 8-32 screws (supplied). Not suitable for use on steel doors with a center seam. Zinc plated.



LMB-10 **For Tubular Latch in** **Wood Door**

Re-enforcing bracket used to repair and strengthen the latch area of a wood door. Simply mortise bracket into damaged latch area, mount with wood screws (supplied) and install latch. Zinc plated.



LMB-02 **For Mortise Lock In** **Hollow Metal Door**

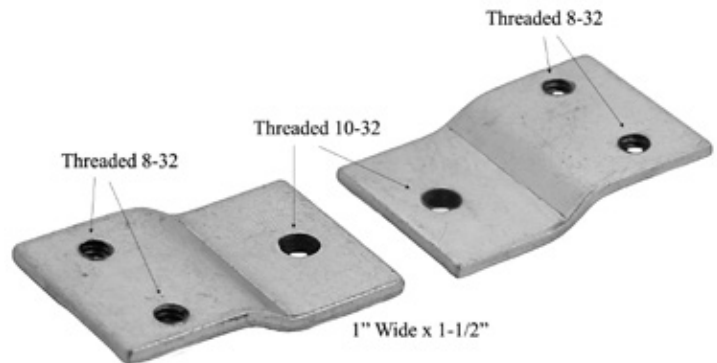
The LMB-02 Mortise lock bracket is designed to be used on metal doors with or without a center seam. Stamped from 12 gauge cold rolled steel as the LMB-01 and also mounted with pop-riquets for ease of installation. The mounting holes are tapped for 12-24 to accommodate existing mortise lock screws supplied by the manufacturer. LMB-02 can be used with Schlage, Corbin/Russwin, Yale, Adams-Rite, and similar mortise locks. LMB-02 is supplied complete with steel pop-riquets.



LOCK MOUNTING BRACKETS

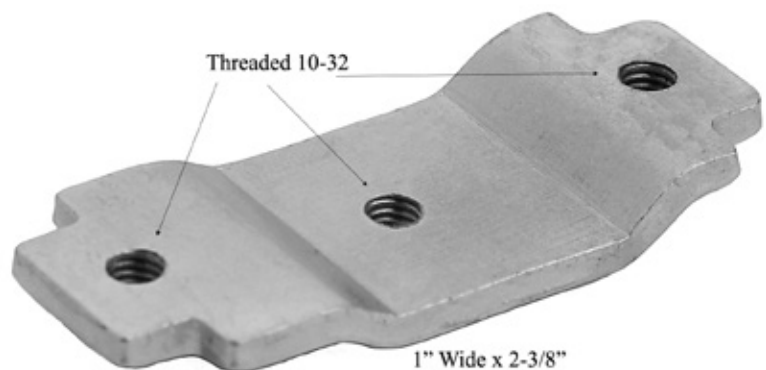
LMB-12 **For Mortise Lock in** **Hollow Metal Frame**

Economy version of our LMB-02 bracket. Mounts to steel door with four 8-32 screws (supplied). Not suitable for use on steel doors with a center seam. Zinc plated.



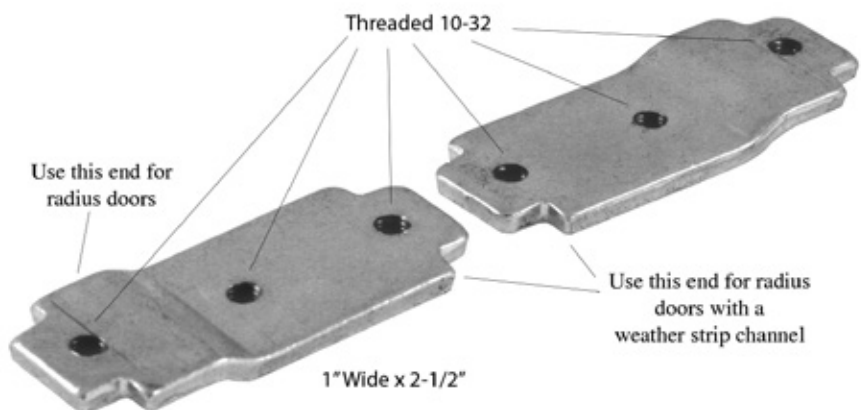
LMB-03 **Universal Mounting** **Bracket**

Universal mounting bracket for use in hollow metal or aluminum doors and frames. LMB-03 has different offsets at each end to allow adjustment for an assortment of installations. Holes are tapped 10-32 and supplied with four 10-32 x 1/2" phillips flat mounting screws. Packed two brackets and four screws per set.



LMB-033 **Mounting Bracket for A/R Locks in Radius Door Frames**

Use these brackets when installing an Adams Rite style lock in an aluminum frame door. One end of the bracket is offset for use with radius doors, the other end is flat and designed for radius doors with a weather strip channel down the center. These brackets are a must for installing locks in doors that have a deep frame. All mounting holes are tapped 10-32 and both zinc and black screws, for aluminum and duranodic color doors and rubber spacers are supplied. The brackets are 1" wide and 2-1/2" long and are zinc plated to resist rust. 2 brackets per pack with fasteners.



LOCK MOUNTING BRACKETS

LMB-034

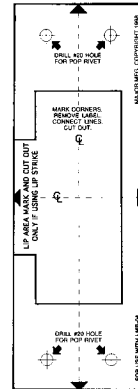
Mounting Bracket for A/R Locks in Bevel Door Frames

Use these brackets when installing an Adams Rite style lock in an aluminum frame door. The LMB-034 bracket was specifically designed for mounting locks in a beveled door frame. These brackets are a must for installing locks in doors that have a deep frame. All mounting holes are tapped 10-32 and supplied with zinc and black mounting screws, for aluminum and duranodic color doors. The brackets are 1" wide and 2-1/2" long and are zinc plated to resist rust. Reversible for both right and left hand doors. 2 brackets with fasteners per package.

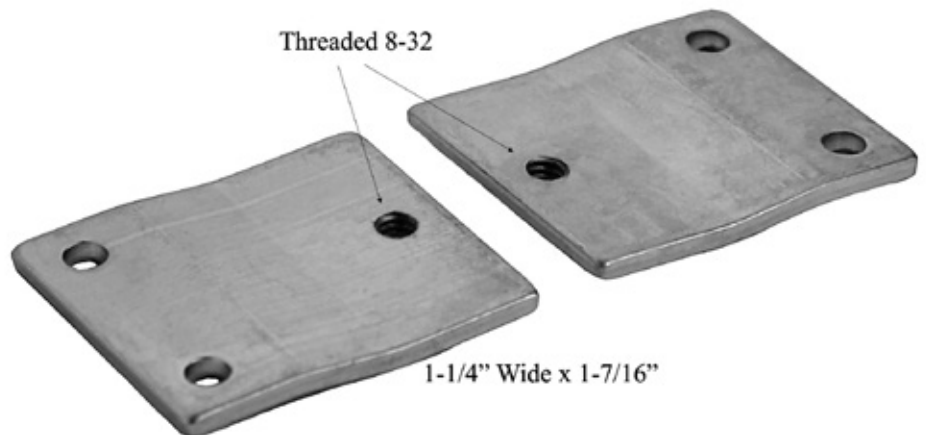


LMB-04 For Deadbolt or T-Strike In Hollow Metal Frame

Mounting bracket used to install 1-1/8" x 2-3/4" Deadbolt or T-Strikes in hollow metal frames. Supplied with steel pop-rivets for installation and a self-adhesive template to lay out mounting holes and strike cut-out. Strike mounting holes pre-tapped 8-32. Packed two brackets with pop-rivets and template per pack.



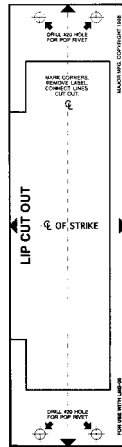
Installation Template



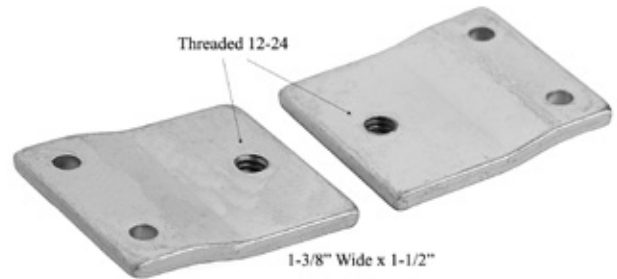
LOCK MOUNTING BRACKETS

LMB-05 **For ASA Strike in** **Hollow Metal Frame**

Same as LMB-04 only used with 1-1/4" x 4-7/8" ASA strikes. Supplied with steel pop-rivets for installation and a self-adhesive template to lay out mounting holes and strike cut-out. Strike mounting holes pre-tapped 12-24. Packed two brackets with pop-rivets and template per pack.

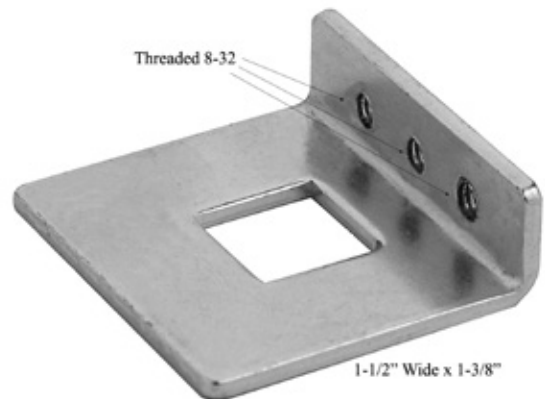


Installation Template



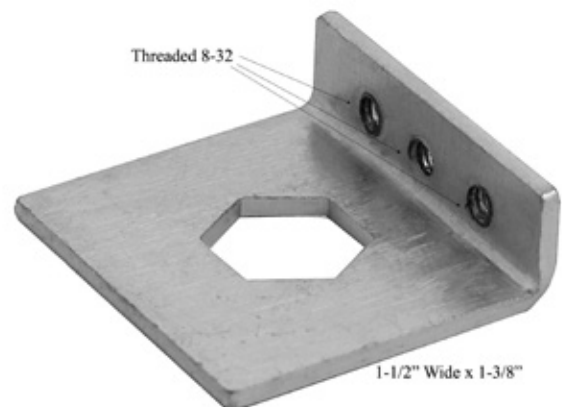
LMB-06 **Replacement Steel Rod Guide**

Direct replacement steel rod guide with square hole for Builders Brass, International and Trimco flush bolts. Stronger than the plastic guides supplied by the manufacturer. Mounting holes are pre-tapped 8-32. Packed one per pack with mounting screws.



LMB-07 **Replacement Steel Rod Guide**

Replacement steel rod guide with hex hole for use with W&F, Reflectolite and Slideco aluminum door locks equipped with top and bottom rods. Stronger than the plastic guides supplied by the manufacturer. Mounting holes are pre-tapped 8-32. Packed one per pack with mounting screws.



LOCK MOUNTING BRACKETS

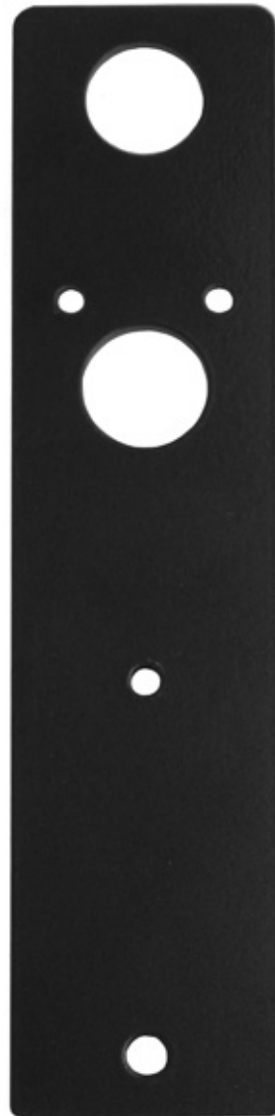
LMB-15A & LMB-15D

Mounting Bracket for Adams Rite Levers & Paddles

Use these brackets when installing a dead latch lock where a dead bolt with an indicator was taken out. The LMB-15 will cover the indicator cut out plus provide the lower mounting hole for the paddle or lever. The overall size is 1-5/16" X 5-3/4" X 1/8" thick. The LMB-15 is available in both aluminum and duranodic powdercoat finishes.



LMB-15A
Aluminum Powdercoat



LMB-15D
Duranodic Powdercoat

LMB-08 MOUNTING BRACKET

For Adams Rite Style Locks

- LMB-08 supplied with adapters to conform to flat, radius or bevel face doors. Never be without the right bracket.
- Build-in screw jacks eliminate slipping, twisting and screw stripping during installation.
- Screw jack uses a 7/64" allen hex wrench for positive "no-slip" wrenching during installation.
- Solid steel 3/16" square diameter screw jack posts.
- Built-in #8-32 pre-threaded lock mounting nut prevents stripped mounting holes.
- Two brackets with #8-32 mounting screws per pack.
- For fast, easy no error installations, use LM-089 Installation Tool.



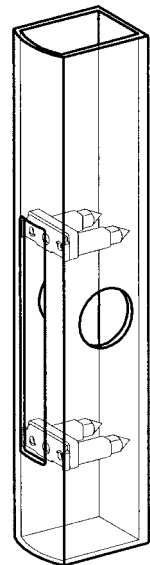
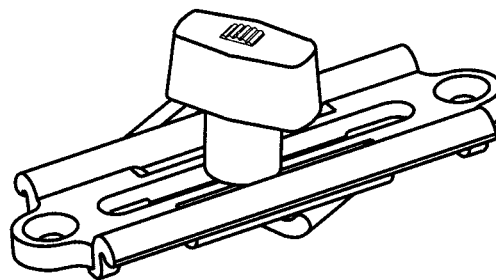
To use the LMB-08 for flat face door channel use two #2 Caps.

To use the LMB-8 for bevel face door channel use #1 Cap on the low side and #3 Cap on the high side

For use on narrow style aluminum doors only.

LMB-089 Installation Tool

Quickly locate and install LMB-08 brackets with the LMB-089 Installation Tool. Brackets are screwed to installation tool to prevent them from slipping off during installation. Once brackets and tool are inserted into door channel, brackets are rotated 90 degrees and will lock in the correct position for installation. Simply slide tool to top of the faceplate cutout, tighten bracket in place, remove the holding screw, slide tool to bottom of cutout, tighten bottom bracket, and remove holding screw and tool.



The Aluminum Door Jamb Reinforcer

STRIKE GARD

Used to repair an aluminum door jamb that has been damaged due to a break-in, or to reinforce a jamb as extra protection against forced entry.

This Strike/Cylinder Gard package can be an easy add on sale when installing, servicing or changing the combinations on aluminum doors.

Features

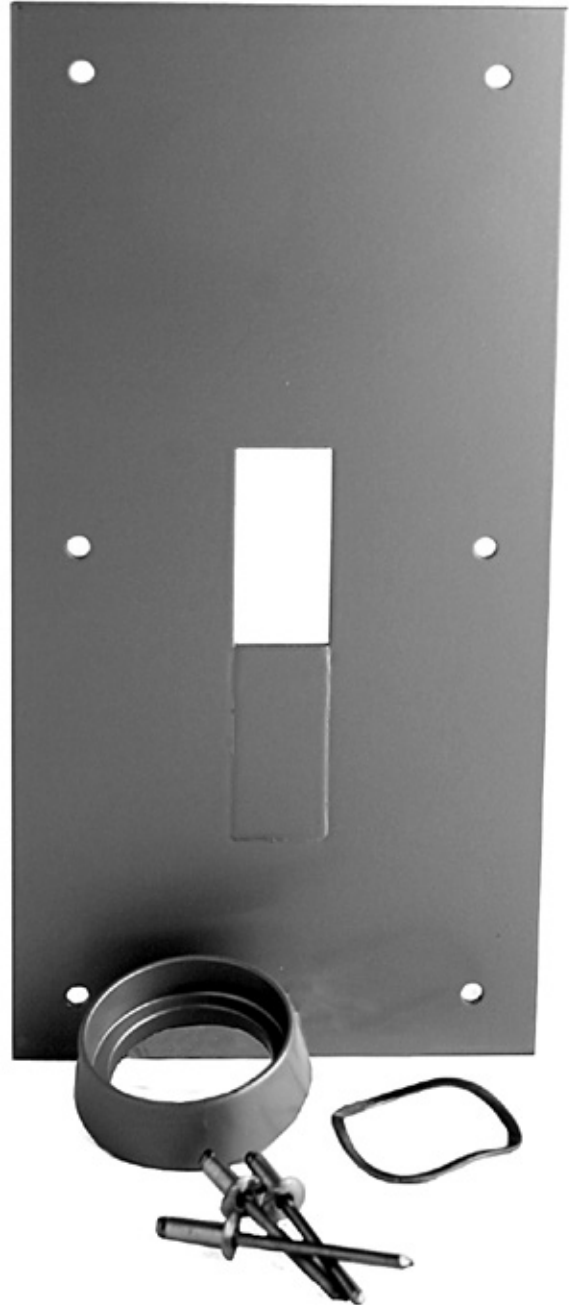
- Thin flat design will allow strike to be installed on door frame and not rub the door.
- Mounts to door jamb with steel pop rivets (supplied).
- Packed with our CGA or CGD Cylinder Gard at no extra charge to make an aluminum door security package.
- Will work with W&F and Reflectolite type locks or punch out the "Knock-Out" and use with Adams Rite type swing bolt locks.
- Will fit 4" or 4-1/2" wide jambs.

Installation

Easily installed by drilling six No. 20 holes in the door frame and using the steel pop rivets supplied with the strike.

Material

14 Gauge cold rolled steel 2-15/16" x 8"1.
Approximately 5/64" thick.



Part No.

- SGA-1** Aluminum Powdercoat
- SGD-1** Duranaodic Powdercoat

DOOR ARMOR

#250 Door Armor for Key In Knob Locks

Our new lock guard is designed to protect key-in-knob locks against pipe wrench and beating attacks. The base plate measures 3-1/2" square and will accommodate locks with rose diameters up to 2-11/16 inches, guard projection is 3 inches. Four 1/4" carriage bolts are supplied for mounting on doors up to 1-3/4 inch thick. Finish is an exterior silver powdercoat. Best results are obtained using a storeroom function lock. Lock Not Included.



#260 Door Armor for Deadbolt Locks

Our new lock guard is designed to protect tubular deadbolt locks against pipe wrench and beating attacks. The base plate measures 3-1/2" square and will accommodate locks with a diameter up to 2-11/16 inches, guard projection is 1-1/2 inches. Four 1/4" carriage bolts are supplied for mounting on doors up to 1-3/4 inch thick. Finish is an exterior silver powdercoat. Lock Not Included.



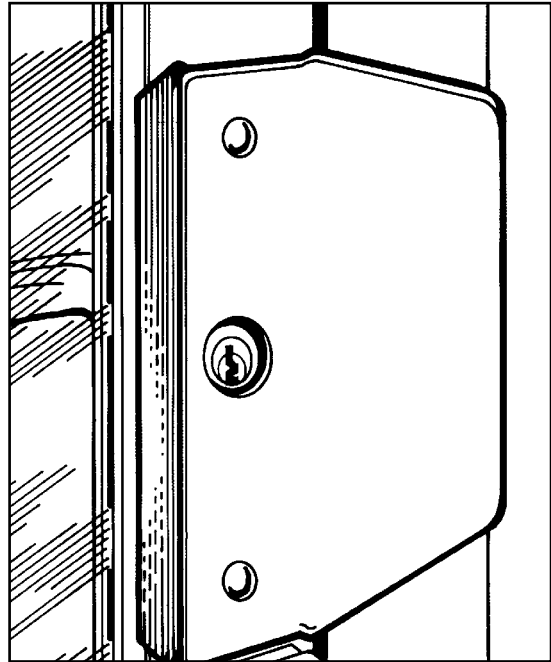
For new product updates and the latest up to the minute information, please sign up for e-mail bulletins at www.majormfg.com.

High Security Latch/Cylinder Guard Plate

ALUMA **GUARD** T.M.

Forms a Shield of Armor on Latch/Cylinder of Out- Swinging Aluminum Framed Glass Doors.

- Protects aluminum framed glass doors against: caseknife, jimmying, cylinder pulling and wrenching, door and frame separation.
- Completely covers area of door and frame near lockbolt to prevent caseknife attack.
- Protects cylinder pulling, wrenching and lockbolt from being jimmied.
- Anchor frame pads help prevent door jamb separation.
- Heavy gauge steel "Aluma-Guard" is easily installed with anchor pads and through bolts without lock removal.



See following page for part numbers and descriptions.

AG5 ALUMA-GUARD

Our new Aluma-Guard is designed to protect aluminum framed, glass, store front doors. It forms a shield that will protect both the latch area from attack and the lock cylinder from wrenching. The AG-5 is formed from cold rolled steel that is 6-1/2" high, 3-1/2" wide & 7/64" thick. Mounting is easy with one carriage bolt in the top and a drive rivet in the bottom and can be installed with the lock still in the door. Available in aluminum and duranodic powdercoat finishes.

Part No.

- AG5-A** Aluminum Powdercoat
- AG5-D** Duranodic Powdercoat



**Four 6-7/8" H. x 4-1/8" W. models available finished either in:
"Duranodic Powdercoat" (D) or "Aluminum Powdercoat" (A)**

All models complete with mounting hardware and directions.



AG1-A & AG1-D

Standard "Aluma-Guard" for use on outswinging offset hung aluminum doors.



AG1B-A & AG1B-D

Same as standard "Aluma-Guard" but without keyhole. Perfect for use on locks when key access is not required. Can be modified by customer for special application.



AG4-A & AG4-D

Special "Aluma-Guard" for use with longer 6 and 7 pin cylinders or best type interchangeable core cylinders.

ALUMA GUARD ADA

OFFSET CYLINDER HOLE FOR ADA MOUNTED LOCKS AND PUSH BARS

The same high security Aluma Guard plate as our standard AG-1 model except for an offset cylinder hole that allows installing on doors where the lock is mounted closer to the push bar. The distance from the top of the plate to the center of the 7/8" diameter cylinder hole is 2-7/8". Models available for both left and right hand mounting.

- AG3L-A** Mounts on left side of door aluminum powder coat
- AG3R-A** Mounts on right side of door aluminum powder coat
- AG3L-D** Mounts on left side of door duranodic powder coat
- AG3R-D** Mounts on right side of door duranodic powder coat



Right hand model shown.

Stops A Wrench From Gripping and Crushing!



Available in these finishes:

- Aluminum Powdercoat
- Duranodic Powdercoat
- Polished Brass Finish
- Polished Chrome Finish
- Satin Chrome Finish
- Oil Rubbed Bronze

Forms A Cone Of Hardened Steel Protection For Rim And Mortise Cylinders

- Free-spinning, tapered cone shape.
- Resistant to channel locks, vise grips, pipe wrenches, etc.
- Tough, hardened steel for durability.
- Wave washer supplied to eliminate sloppiness of installation.
- Also larger size for longer 6 & 7 pin & interchangeable core type mortise & rim cylinders.

Part # Standard Cylinder Guard

- | | |
|---------------|---------------------------------------|
| CGA-5 | Aluminum Powdercoat / 5 per pack |
| CGD-5 | Duranodic Powdercoat / 5 per pack |
| CG-3 | Polished Brass Plated / 1 per pack |
| CG-10B | Oil Rubbed Bronze Plated / 1 per pack |
| CG-26 | Polished Chrome Plated / 1 per pack |
| CG-26D | Satin Chrome Plated / 1 per pack |

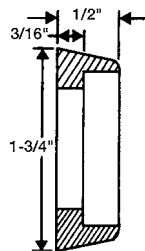
Part # Medium Cylinder Guard

- | | |
|----------------|---------------------------------------|
| CGM-A | Aluminum Powdercoat / 1 per pack |
| CGM-D | Duranodic Powdercoat / 1 per pack |
| CGM-3 | Polished Brass Plated / 1 per pack |
| CGM-10B | Oil Rubbed Bronze Plated / 1 per pack |
| CGM-26 | Polished Chrome Plated / 1 per pack |
| CGM-26D | Satin Chrome Plated / 1 per pack |

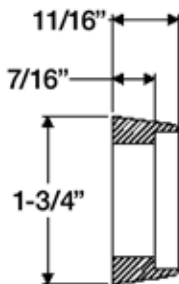
Part # Long Cylinder Guard

- | | |
|----------------|---------------------------------------|
| CGL-A | Aluminum Powdercoat / 1 per pack |
| CGL-D | Duranodic Powdercoat / 1 per pack |
| CGL-3 | Polished Brass Plated / 1 per pack |
| CGL-10B | Oil Rubbed Bronze Plated / 1 per pack |
| CGL-26 | Polished Chrome Plated / 1 per pack |
| CGL-26D | Satin Chrome Plated / 1 per pack |

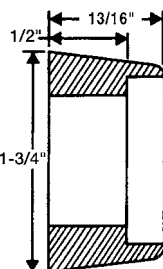
Model CG
Sectional View
Showing Dimensions



Model CGM
Sectional View
Showing Dimensions

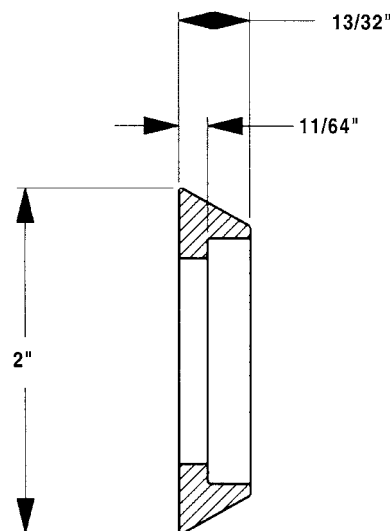


Model CGL
Sectional View
Showing Dimensions



2" DIAMETER CYLINDER GUARD

- Free spinning, tapered cone shape
- Resistant to channel locks, vise grips, pipe wrenches, etc.
- Tough, hardened steel for durability
- Wave washer supplied to eliminate sloppiness of installation
- Full 2 inch diameter
- Available in economy and architectural finishes
- 1 per pack



Model CG2 sectional view showing dimensions.

Available Finishes

- CG2-B** Cylinder guard with econo brass finish
- CG2-C** Cylinder guard with econo chrome finish
- CG2-10B** Cylinder guard plated oil rubbed bronze
- CG2-26** Cylinder guard plated polished chrome
- CG2-26D** Cylinder guard plated satin chrome
- CG2-3** Cylinder guard plated polished brass

SEE OUR CYLINDER GUARD PLATES FOR RIM CYLINDERS LOCATED WITH LOCK GUARDS ON PAGE 15.

LIS-100-L & R

LOCK INDICATOR SIGN FOR CLASSROOM FUNCTION MORTISE LOCK CYLINDERS

This lock indicator sign is designed to show what way to turn the inside key of a classroom mortise lock, to lock the outside knob or lever. In a lockdown or panic situation the last thing you want to do is have to think what way the key turns or open the door to see if the door is locked. The indicator sign is red plastic about 2-1/2" outside diameter with a 1-5/32" inside hole to fit a standard mortise cylinder. Lettering and arrows are white. The sign has two strips of double side tape on the inside of the sign to prevent turning on door.



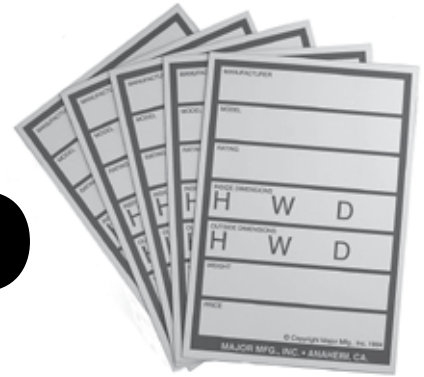
LIS-100-L



LIS-100-R

**A "Silent Salesman"
For Your Safes On Display**

SAFE INFO CHARTS



Magnetic Backed, Re-Useable "Info Charts", Allows Quick, Easy Information To Be Displayed For Customer Benefit.

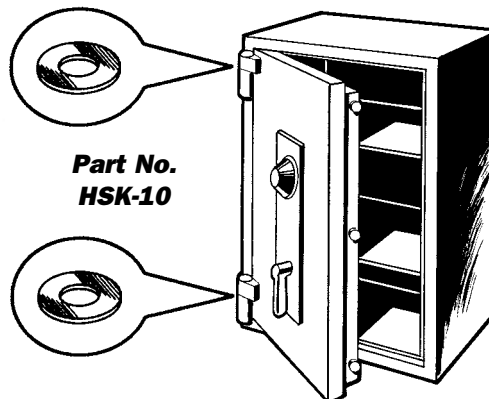
Part No. SIC-5

Sold In Packs Of 5
4" x 5-3/4" Charts

- Chart designates spaces for: Safe Manufacturer, Model, Rating, Inside & Outside Dimensions, Weight and Price.
- Non-marring, non-scratching, rubberized magnetic backing.
- Chart copy is printed in red ink on white vinyl coating.
- Display surface is receptive of most ball point pens.
- Writing is easily removed with window cleaner and a dry cloth.
- Re-use charts over and over and over again. Will last for years.

SAFE DOOR HINGE SHIM KIT

This handy assortment contains 10 each of 9 different sizes of precision brass hinge shims. They are used to shim worn safe hinges in order to raise a safe door back to the proper height, and prevent it from dragging. The kit is packaged in a plastic box for convenient storage and each thickness is color coded for easy identification. Refill shims are available in packs of 10.



**Part No.
HSK-10**

Refills for Kit (10 per pack)

P/N	OD	ID	Thickness
HS-1	1-1/16"	7/16"	0.010
HS-2	1-1/16"	7/16"	0.015
HS-3	1-1/16"	7/16"	0.020
HS-4	1-1/16"	1/2"	0.010
HS-5	1-1/16"	1/2"	0.015
HS-6	1-1/16"	1/2"	0.020
HS-7	1-1/16"	5/8"	0.010
HS-8	1-1/16"	5/8"	0.015
HS-9	1-1/16"	5/8"	0.020

HIT-23 BACKSET RE-DRILL GUIDE

Here is an easy way to correct a mis-drilled cross bore or to “move over” a backset from 2-3/8” to 2-3/4” or visa versa. Just remove the existing lock and install the HIT-23 in the existing latch hole. Re-drill using a hole saw with our drill blank installed. Works with both 1” and 1-1/8” face plates with a 1” diameter latch hole. Solid steel construction.



HIT-24 STEEL DOOR STRIKE LOCATOR

After installing a lock in a steel door, you need an easy way to locate the strike plate. Just install our HIT-24 locator in the latch hole and use the 1/4” transfer tool to mark the exact location. This locator makes the job accurate, fast and easy. An ideal companion tool to our Pit Bull Latch Forming Tool.



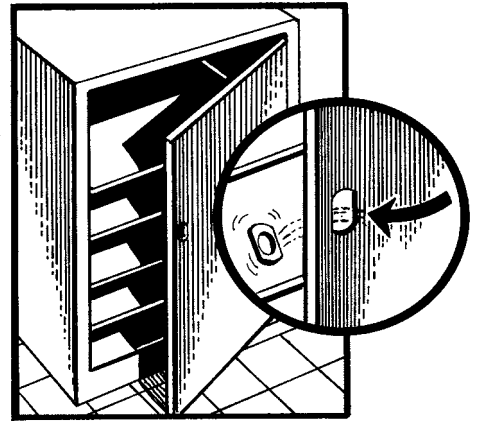
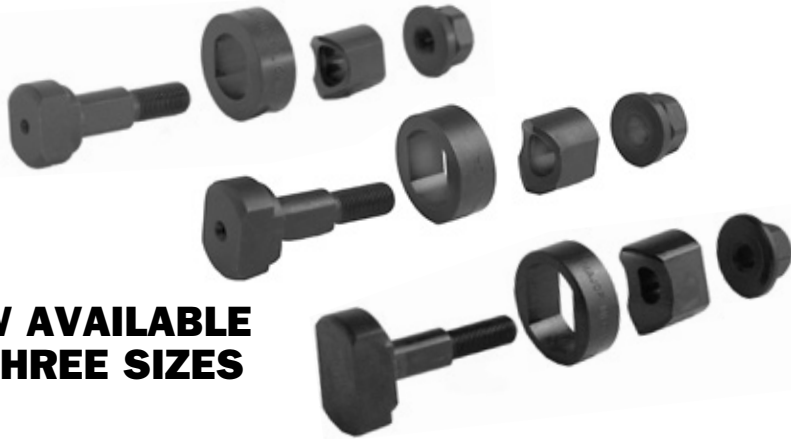
MDLT-1 “PIT BULL” LATCH FORMING TOOL FOR LOCK INSTALLATIONS ON STANDARD 18 GAUGE STEEL DOORS

The Pit Bull tool is used to form a rectangular pocket in the edge of a hollow metal door. Application of the tool is almost effortless — simply drill the latch and cross bore holes and install the Pit Bull. Using a few turns with a wrench will squeeze an indentation into the door’s edge — the result is a pocket that will accept both 1” and 1-1/8” wide by 2-1/4” tall latches.



**WILL NOT WORK ON
CENTER SEAM DOORS**

MDPS-4, MDPS-6, & MDPS-8 PUNCH & DIE SET



**NOW AVAILABLE
IN THREE SIZES**

Major Manufacturing's punch and die set will punch a **DOUBLE "D"** hole in sheet metal cabinet drawers and doors. A must have tool for the locksmith working on vending machines, lockers, metal cabinets or any type of sheet metal door made with 18 guage (.048) or lighter steel. To use, simply drill a 1/2" hole centered where the cam lock is to be installed, slide the punch through the hole and tighten down the hex nut with a 11/16" wrench or socket set.

MDPS-4 punches a **DOUBLE "D"** hole size .645 wide by .770 high. For use with standard cam locks.

MDPS-6 punches a **DOUBLE "D"** hole size .715 wide by .875 high. For use with larger ASSA pin tumbler cam locks.

MDPS-8 punches a **DOUBLE "D"** hole size .885 wide by 1.135 high. A must tool for installing Olympus 720, 820, 920, CR25, MY93 and SA54 locks.

CCT-100 CYLINDER CAPPING TOOL FOR CORBIN AND RUSSWIN I-CORE

Don't have three hands? Then use our CCT-100 cylinder capping tool when keying Corbin and Russwin Interchangeable Cores. Once the cylinder is loaded, place the brass cover strip on top.

The spring loaded top plate will hold everything in place while all keys are checked. If everything is correct, just tap the plate with a mallet to secure it in place. Adjustable for 6 and 7 pin cylinders.



CCT-200 CYLINDER CAPPING TOOL FOR SARGENT REMOVABLE CORE

Don't have three hands? Then use our CCT-200 cylinder capping tool when keying Sargent Removable Cores. Once the cylinder is loaded,

place the brass cover strip on top. The spring loaded top plate will hold everything in place while all keys are checked. If everything is correct, just tap the plate with a mallet to secure it in place.



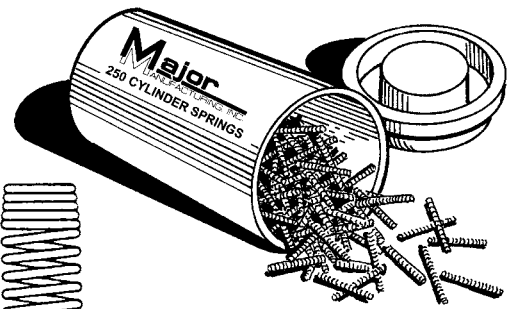
Tangle Resistant Cylinder Springs

How many times have you attempted to untangle cylinder springs, only to end up with a strand of wire or several damaged and unusable springs?

Tangle resistant cylinder springs by Major Manufacturing are not tangle proof, but they resist tangling common with standard springs.

Use our springs wherever you use standard size springs. Because they are more closely wound and contain more coils overall than other springs, they resist tangling and provide greater compression on the pin stacks.

They will cut your pinning time and your loss or destruction count will be practically eliminated.



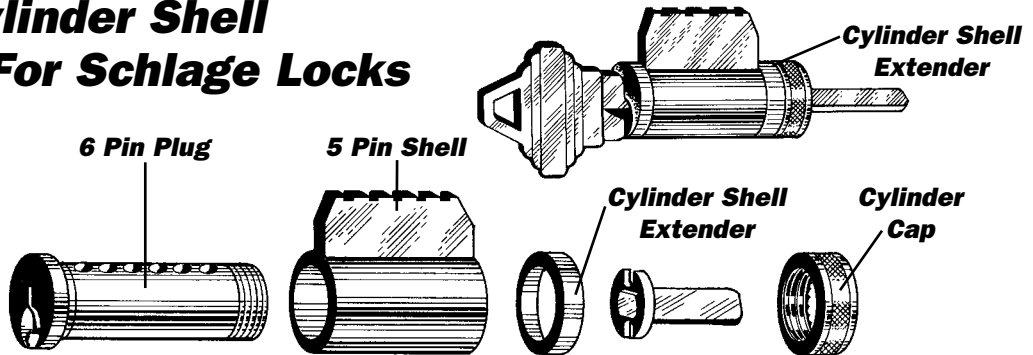
Enlarged View

TRS-100	100 per pack
TRS-250	250 per pack
TRS-1000	1000 per pack

SCA-10 Cylinder Shell Extender For Schlage Locks

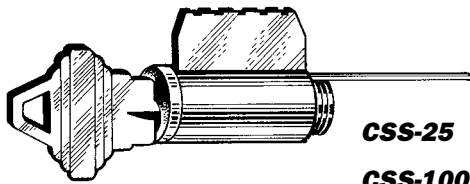
Use where a five pin cylinder and lock system exists and only a six pin plug is available.

10 per pack

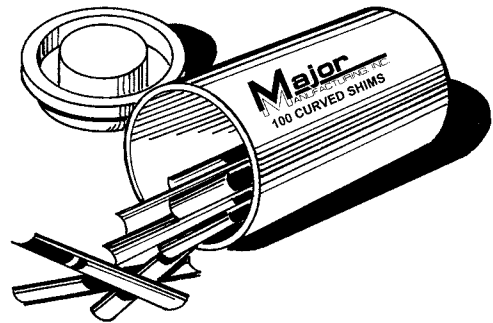


Curved Shim Stock

Quality Shim Stock manufactured from Hi-Grade Stainless Steel. Pre-curved to match the lock plug being shimmed.



CSS-25	25 Shims per bag
CSS-100	100 Shims per plastic vial



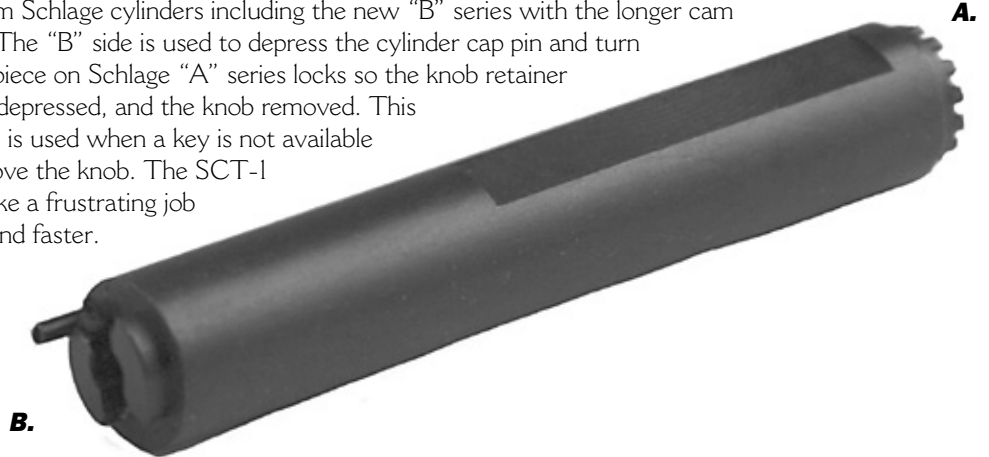
KSP-4 Kwikset Spindle Setting Tool

Easily replace broken spindles in Kwikset 400 Series locks with this tool. Simply drive the old spindle out of the lock with a pin punch, insert the new spindle and stake with the tap of a hammer. Fast, easy and profitable.



SCT-1 Schlage Service Tool

Quickly service Schlage locks with this tool. Side "A" will easily remove the threaded cap from Schlage cylinders including the new "B" series with the longer cam driver. The "B" side is used to depress the cylinder cap pin and turn the tailpiece on Schlage "A" series locks so the knob retainer can be depressed, and the knob removed. This method is used when a key is not available to remove the knob. The SCT-1 will make a frustrating job easier and faster.



SCT-3 Plug Follower

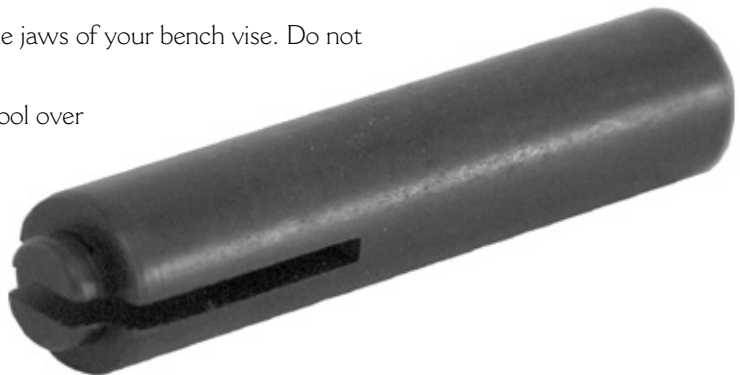
A combination tool that combines a plug follower with a master wafer removing feature and a pin depressor. The follower can be used on most cylinders with standard diameter plugs. It is especially suited to be used on Schlage cylinders or any cylinder using a cylinder cap retained with a spring loaded pin. Simply depress the pin, remove the cap, turn the tool around and use as a standard follower. As an added feature the pin depressor may be removed allowing the use of both ends of the follower when loading cylinder springs. Special grooves machined in the follower will also allow it to be used on Sargent 8 line cylinders and Almont Padlocks.



MKP-1 Master Lock Keying Tool

Keying tool for Master Lock "UP" series uncoded locks. Padlocks can be quickly keyed as follows:

- 1.** Choose original Master padlock key to be used and remove from key ring.
- 2.** Insert key into Master "UP" series lock.
- 3.** Invert Padlock thru the jaws of your bench vise. Do not tighten vise.
- 4.** Place MKP-1 keying tool over key and tap lightly with hammer until cylinder sets into lock. Remove padlock from vise and check for proper operation.



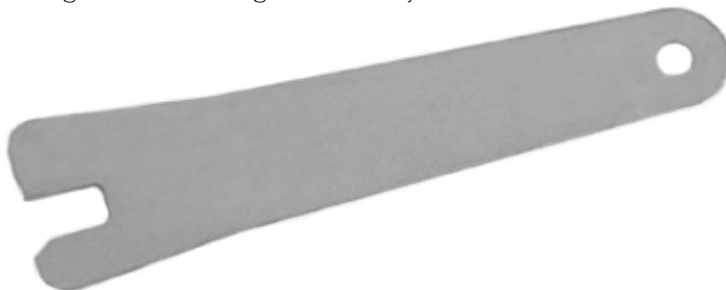
**KCT-2
Cylinder Tool
For Kwikset
400 Series
Locks**

- Quickly Removes Cylinder From Lock
- Removes Cylinder Retaining Clip
- Handle Is Following Tool With Master Wafer Unload Feature



**CRT-2
Clip Removal
Tool**

A clip removal tool that will easily remove "C" type rings used to retain the cylinder plugs on Kwikset knobs and deadbolts, Schlage "F" Locks, Sargent, and many others.

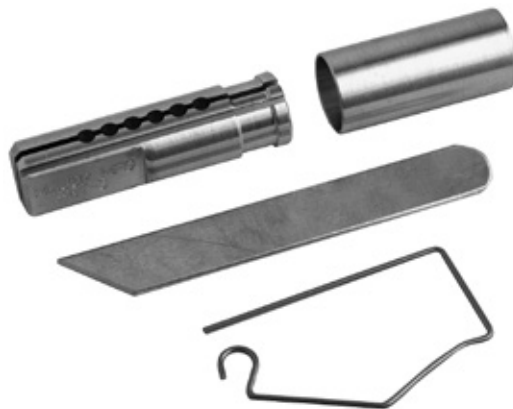


**ART-3
Reloading Tool for
Almont Padlock "C" Key**

While Almont Padlocks have not been made for several years, there are still a lot of them in service. Here is a chance to stock up on loading tools for the "C" key way padlocks and the retaining wire for the 134 series locks.

The ART-3 is a complete set that includes the loading plug, sleeve, shove knife and retaining wire.

The ARW-134 retaining wires are also available as a separate item and available in packs of 3.



**ARW-134
Retaining Wire
for Almont 134
Padlock**



Safe Deposit Lock Nose Puller

CMP-101 COMPACT MAGNUM PULLER



This safe deposit nose puller is both compact and powerful. The entire puller is machined from bar steel for strength. Roller bearings are used between the two mating surfaces to reduce the effort required when in use, and the knurling provides for a better grip. In use, a sheet metal screw is driven into the center of the safe deposit locks keyway, tightening the puller will then pull the core out. The use of the guard key and wire or similar tool will retract the bolt. The CMP-101 can also pull cylinders from padlocks, automotive locks, and many other types of cylinders and plugs. The CMP-101 is 5" long when closed with a 1-1/8" diameter, and is packed in a nylon pouch for storage.

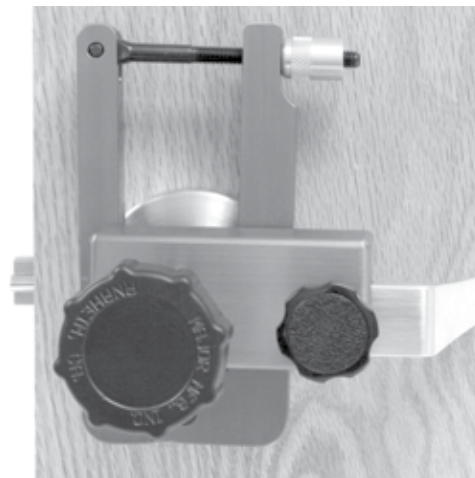
CMP-475 CLASSIC MAGNUM PULLER



At four pounds, our new cylinder puller is a true heavy weight. It is machined from a solid hex shaped bar of 1-5/8 inch wide steel that is 10-1/2 inches long. A ball bearing race makes pulling smooth and easy. Storage for extra screws used by the puller is provided under a threaded cap. Three adapters are also included to help with different applications.

LPT-255 LEVER PULLING TOOL

Use our LPT-255 Lever Pulling Tool to quickly and easily remove the locked lever when picking is not an option. Simply place the lever depressor around the lever, next place the puller over the lever. With a few turns of the knob, the lever will pop off, usually causing no damage to the lock. This is an ideal tool when encountering high security cylinders or locks with cylinders that have been vandalized with glue. The LPT-255 will work on most locks where the lever is normally removed by turning the key and depressing the lever retaining pin. The LPT-255 is packed in a padded carrying case and comes with instructions.



LPT-255-6

Replacement depressor pin for the LPT-255 lever puller. This pin fits the center 1/4" diameter hole. Pin is made from S-7 tool steel and heat treated. This pin is also used on the LPT-250 lever puller.



LPT-255-7

Replacement depressing pin used for pulling Corbin and Russwin levers when using the LPT-255-125 pulling block.



LPT-255-8

Replacement depressor pin for the LPT-255 lever puller. This pin fits the two smaller 3/16" diameter holes. Pin is made from S-7 tool steel and heat treated.



LPT-255-100

Optional pulling block for the LPT-255 puller. This block was designed to pull the curved lever on the Schlage Sparta.



LPT-255-125

Optional pulling block for the LPT-255 puller. This block was designed to pull the larger levers used on the Corbin and Russwin locks. Requires the special sized LPT-255-7 pin included with the puller.



LPT-255-130

Optional pulling block for the LPT-255 puller. This block is for use on the larger Yale levers that are too large to fit in the standard pulling block.



LOCKSMITHS SCREW ASSORTMENT

An assortment containing 18 of the most commonly used and misplaced screws that are required when servicing locks. The LSA-1 kit contains mortise cylinder cam screws, cylinder set screws, face plate screws and others than can be missing or lost when on the job. Also included are the allen wrenches needed for the allen screws used in the kit. A handy assortment that will pay for itself the first time that its used.

Refills are available in packs of 10.



LSA-1

Qty	Part No.	Description
10	LS-1	Phillips Flat Head For Medeco Cylinders
10	LS-2	Phillips Flat Head For Medeco Cylinders
10	LS-3	Pan Head For Medeco Cylinders
10	LS-4	Phillips Flat Head For ASSA Mortise Cylinders
10	LS-5	Phillips Flat Head For ASSA Rim Cylinders
10	LS-6	Phillips Flat Head For Std Mortise Cylinder
10	LS-7	Phillips Flat Head for Std Mortise Cylinder (X-Long)
10	LS-8	Phillips Flat Head For Schlage Primus Mortise Cylinder
10	LS-9	Set Screw For Medeco Brass Padlock
10	LS-10	Set Screw For Adams Rite Lock (Special Length)
10	LS-11	Set Screw For Adams Rite Lock (Special Length)
10	LS-12	Set Screw For Mortise Lock Replacement
10	LS-13	Set Screw For Mortise Lock Replacement
10	LS-14	Face Plate Screw Zinc Color
10	LS-15	Face Plate Screw Brass Color
10	LS-16	Face Plate Screw Black Color
10	LS-17	Face Plate Screw Zinc Color (X-Long)
10	LS-18	Face Plate Screw Black Color (X-Long)
1	LS-19	Long Arm Allen Wrench For Medeco Padlock
1	LS-20	Allen Wrench For 8-32 Set Screw

Replacement screws are also available in packs of 100 for extra savings. Add -100 to the part number. Example: LS-14 is a pack of 10. LS-14-100 is a pack of 100.

COMBINATION REPLACEMENT SCREWS

Phillips flat head replacement screw with half machine and half wood screw threads. May be used in both wood and metal door and frame applications. Packed 50 per pack.



Part No. Combination Machine Screw X Wood Screw

- LS-21** Combination 8-32 X 3/4" Brass Color, 50 per pack
- LS-22** Combination 8-32 X 3/4" Zinc Color, 50 per pack
- LS-23** Combination 8-32 X 3/4" Black Color, 50 per pack
- LS-24** Combination 12-24 X 1" Brass Color, 50 per pack
- LS-25** Combination 12-24 X 1" Zinc Color, 50 per pack
- LS-26** Combination 12-24 X 1" Black Color, 50 per pack

LSA-3

SCREW ASSORTMENT OVERSIZE REPAIR SCREWS

An assortment of specialized screws with oversize threads used to make quick repairs when replacing stripped out screws in wood and metal doors. Refills are available in packs of 25 or 100.

Qty	Part No.	Description
20	LS-28	#10 PFH X 12-24 Nickel Plate
20	LS-29	#10 PFH X 12-24 Black Oxide
20	LS-30	#12 PFH X 14-24 Nickel Plate
20	LS-31	#12 PFH X 14-24 Black Zinc
20	LS-35	#12 PFH X 1-38" X #14 Wood Screw Yellow Zinc
20	LS-36	#12 PFH X 1-3/8" X #14 Wood Screw Nickel Plate
20	LS-37	#12 PFH X 1-3/8" X #14 Wood Screw Black Zinc
20	LS-39	#8 PFH X 10-32 Body Zinc Plate
20	LS-40	#8 PFH X 10-32 body Black Zinc Plate
1	10-32 Tap	
1	#21 Drill Bit	



LS-28 and LS-29

SPECIAL MACHINE SCREWS FOR HINGES AND STRIKES ON STEEL DOORS AND FRAMES

Use these special machine screws when replacing a stripped out hinge or strike screw mounted in a steel or aluminum door or frame. The screw has a standard #10 under cut phillips flat head but the body is a special 12-24 thread, larger than the standard 10-24. The screw is hardened and has a special #1 thread cutting point for easy installation. Over all length is 7/8". Two finishes are offered to match existing hardware and screws are available in packs of 25 or 100.

LS-28-25 - Nickel Plate 25 Per Pack

LS-28-100 - Nickel Plate 100 Per Pack

LS-29-25 - Black Oxide Finish 25 Per Pack

LS-29-100 - Black Oxide Finish 100 Per Pack



LS-30 & LS-31

SPECIAL MACHINE SCREWS FOR HINGES AND STRIKES ON STEEL DOORS AND FRAMES

Use these special machine screws when replacing a stripped out hinge or strike screw mounted in a steel door or frame. The screw has a standard #12 under cut phillips flat head but the body is a special 14-24 thread, larger than the standard 12-24. A tek point allows you to drive in the screw with a screw gun. Two finishes are offered to match existing hardware and screws are available in packs of 25 or 100.

LS-30-25 - Zinc Plate 25 per pack

LS-30-100 - Zinc Plate 100 per pack

LS-31-25 - Black Zinc Plate 25 per pack

LS-31-100 - Black Zinc Plate 100 per pack



LS-35, LS-36 & LS-37

SPECIAL WOOD SCREWS FOR HINGES AND STRIKES ON WOOD DOORS AND FRAMES

Use these wood screws when replacing a stripped out hinge or strike screw mounted in a wood door or frame. The screw has a standard #12 phillips flat head but the body is a special #14 size, larger than the standard #12 screw. Overall length of the screw is 1-3/8". Three finishes are offered to match existing hardware and screws are available in packs of 25 or 100.

LS-35-25 - Yellow Zinc Plate 25 per pack

LS-35-100 - Yellow Zinc Plate 100 per pack

LS-36-25 - Zinc Plate 25 per pack

LS-36-100 - Zinc Plate 100 per pack

LS-37-25 - Black Zinc Plate 25 per pack

LS-37-100 - Black Zinc Plate 100 per pack



LS-39 & LS-40

SPECIAL MACHINE SCREWS FOR LATCHES AND FACE PLATES ON STEEL DOORS AND FRAMES

Use these special machine screws when replacing a stripped out latch or face plate screw mounted in a steel door or frame. The screw has a standard #8 phillips flat head but the body has a 10-32 thread. This allows you to tap the stripped hole to 10-32 and make a quick repair. Overall length is 1/2 inch and screws are available in two finishes to match existing hardware. Available in packs of 25 or 100.

LS-39-25 - Zinc Plate 25 per pack

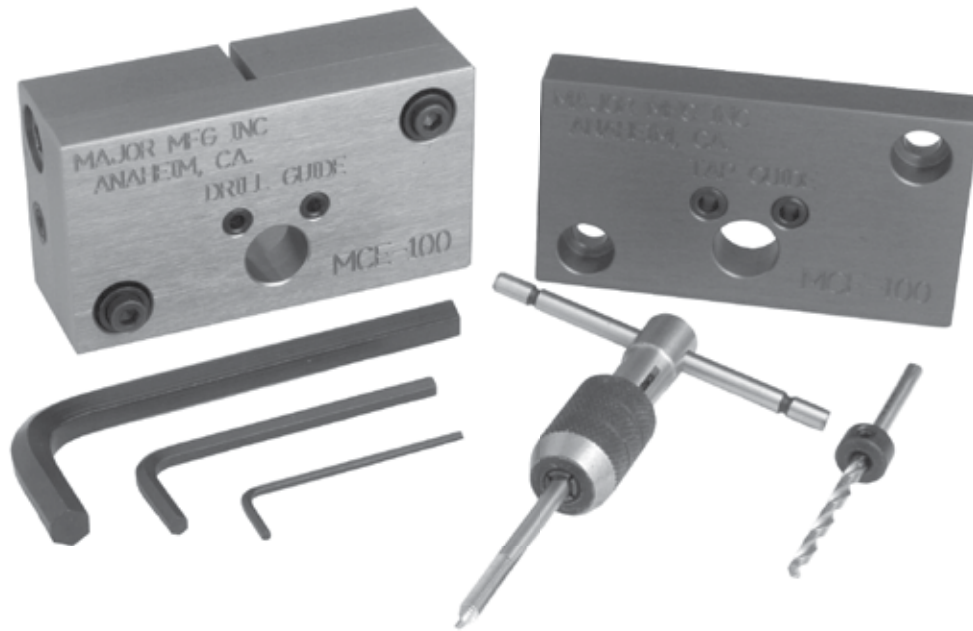
LS-39-100 - Zinc Plate 100 per pack

LS-40-25 - Black Zinc Plate 25 per pack

LS-40-100 - Black Zinc Plate 100 per pack



MCE-100 MORTISE CYLINDER EXTENSION KITS



Here is everything that is needed to accurately drill and tap a mortise cylinder to accept one of our Extend-A-Cylinder kits. Drill Guide includes the holding vise, drill guide plate and tapping plate. Also included are the #29 drill bit with stop and 8-32 tap and tap wrench. The guide is machined from aluminum and drill / tap guides have hardened steel bushings.



MCE-X012
1/2"



MCE-X034
3/4"



MCE-X100
1"



MCE-X114
1-1/4"



Mortise cylinder drive cam, replaces the cam on back of the cylinder. Choose the one compatible to your cylinder. **Not included in the extension kit.**

Here is a fast way to make a longer mortise cylinder when you need it. By using our extender kits and drill guide you can make a custom length cylinder in minutes instead of waiting months for a special factory order. Simply choose a drive cam that is compatible with your cylinder and install it in place of the cam. Install cylinder in our drill guide to accurately drill and tap the mounting holes for the extenders. The last step is to screw the extender in place, what could be easier? Requires a drive cam (sold separately) in addition to the extender kit. Choose from the chart on the following page. **Note:** Any combination of two extender kits can be stacked together to make a cylinder up to 2-1/2" longer. These kits use a Kaba Ilco cam, not supplied.

**The following drive cams are available.
Proper cam screws are included with drive cam.**

MCE-D1 AMERICAN DORMA KABA ILCO LSDA MARKS SCHLAGE U.S. LOCK USCAN	MCE-D4 ARROW LOCK SARGENT	MCE-D7A ABLOY PROTEC
	MCE-D5 CORBIN/RUSSWIN CORBIN/RUSSWIN RC HOUSING	MCE-D8 YALE YALE RC HOUSING
MCE-D2 <i>DISCONTINUED</i>	MCE-D6 GMS-IC CORE	MCE-D9 ASSA
MCE-D3 MEDECO	MCE-D7 GMS-STD.	MCE-D10 SCHLAGE LG FORMAT I/C



MCE-D1



MCE-D3



MCE-D4



MCE-D5



MCE-D6



MCE-D7



MCE-D7A



MCE-D8



MCE-D9



MCE-D10



**Example of a mortise cylinder
with 1" extension added.**

CYLINDER ACCESSORY KIT



CAK-15

The CAK-15 is a new cylinder accessory kit that contains an assortment of popular hardened cylinder guards, plus cylinder collars molded from an "Engineered Plastic". Unlike steel or aluminum that can chip, scratch or bend, collars from engineered plastic will not lose their finish or shape. They also resist damage due to the ozone and by ultra violet rays. The kit is packed in a handy plastic box for storage and part numbers are identified for reordering. See chart for sizes and kit contents. A handy assortment for mobile use. Cylinder collar refills are available in packs of 6.

Qty.	Part No.	Description
6	CCA-332	3/32" Collar Aluminum Color
6	CCA-532	5/32" Collar Aluminum Color
6	CCA-732	7/32" Collar Aluminum Color
6	CCA-932	9/32" Collar Aluminum Color
6	CCB-332	3/32" Collar Brass Color
6	CCB-532	5/32" Collar Brass Color
6	CCB-732	7/32" Collar Brass Color
6	CCB-932	9/32" Collar Brass Color
6	CCD-332	3/32" Collar Duranodic Color
6	CCD-532	5/32" Collar Duranodic Color
6	CCD-732	7/32" Collar Duranodic Color
6	CCD-932	9/32" Collar Duranodic Color
2	CGA	Cylinder Gard Aluminum Color
2	CGD	Cylinder Gard Duranodic Color
1	CG3	Cylinder Gard Polished Brass
10	WW-10	Wave Washer

**Every Installation Is A Self Portrait
Of The Person Who Did It.
Autograph Your Work With Excellence.**

SPECIALTY INSTALLATION TOOLS



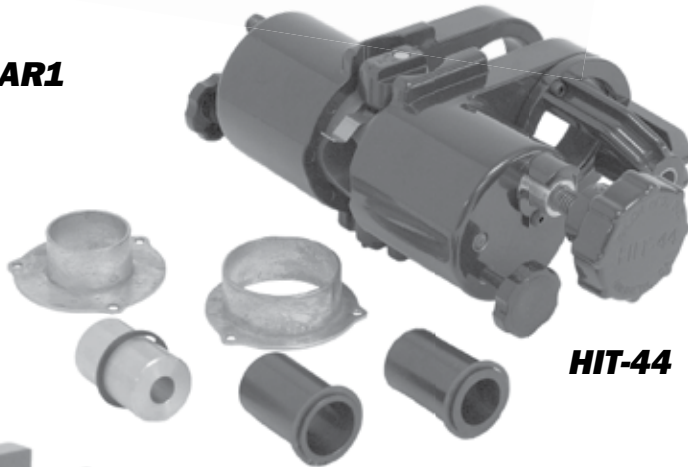
HIT-45



HIT-44B18



HIT-41AR1



HIT-44



HIT-45



HIT-111



HIT-44B11

LOCK MANUFACTURER

TYPE OF HARDWARE

TEMPLATE

ADAMS RITE 4501 / 4901 STRIKE	LIP STRIKE SMALL	HIT-40AR3
ADAMS RITE 4502 / 4902 STRIKE	LIP STRIKE LARGE RETRO FIT	HIT-40AR4
ADAMS RITE 4560/4590 RETRO INSTALL	4560/4690 LEVER OR PADDLE	HIT-40AR8
ADAMS RITE 7100 SERIES STRIKE CTR HUNG	"ELECTRIC STRIKE - 4-7/8" FACE"	HIT-41AR4
ADAMS RITE 7100 SERIES STRIKE OFFSET HUNG	"ELECTRIC STRIKE - 4-7/8" FACE"	HIT-41AR1
ADAMS RITE 7100 SERIES STRIKE OFFSET HUNG	"ELECTRIC STRIKE - 6-7/8" FACE"	HIT-41AR2
ADAMS RITE 7130 SERIES STRIKE CTR HUNG	"ELECTRIC STRIKE - 6-7/8" FACE"	HIT-41AR3
ADAMS RITE 7400 SERIES STRIKE OFFSET HUNG	"ELECTRIC STRIKE - 4-7/8" FACE"	HIT-41AR1
ADAMS RITE 7430 SERIES STRIKE OFFSET HUNG	"ELECTRIC STRIKE - 6-7/8" FACE"	HIT-41AR2
ADAMS RITE 7400 SERIES STRIKE CTR HUNG	"ELECTRIC STRIKE - 4-7/8" FACE"	HIT-41AR4
ADAMS RITE 7430 SERIES STRIKE CTR HUNG	"ELECTRIC STRIKE - 6-7/8" FACE"	HIT-41AR3
ADAMS RITE 8800 PANIC	PANIC HARDWARE ALUM DOOR	HIT-32AR8
ADAMS RITE DEAD LOCK LEVER	DL4550 DEAD LOCK LEVER RETRO	HIT-40AR7
ADAMS RITE LOCKS	LOCK OR LATCH	HIT-45AR SERIES
ADAMS RITE MS4002 STRIKE	ARMOR STRIKE	HIT-40AR2
ADAMS RITE STRIKE OPENING - DEAD LOCK	STANDARD STRIKE OPENING	HIT-40AR5
ADVANCED HARDWARE TECHNOLOGIES	PROTECTOR GRADE 1 LEVER	HIT-16
ALARM LOCK DL1200	ALUMINUM DOORS	HIT-32AL3
ALARM LOCK DL1300	ALUMINUM DOORS	HIT-32AL3
ALARM LOCK DL3500	ALUMINUM DOORS	HIT-66-210
ALARM LOCK PDL1300	ALUMINUM DOORS	HIT-32AL3
ALARM LOCK TRILOGY T2	PUSH BUTTON CYLINDRICAL	HIT-102
ALARM LOCK TRILOGY T3	PUSH BUTTON CYLINDRICAL	HIT-102
ALARM LOCK TRILOGY T3 PROX	PUSH BUTTON CYLINDRICAL	HIT-102
ARCHITECTURAL BUILDERS HARDWARE	HOSPITAL PUSH/PULL LATCH 6000	HIT-124
ARCHITECTURAL BUILDERS HARDWARE	HOSPITAL PUSH/PULL LATCH 6800	HIT-124
ARROW A OR B SERIES	MORTISE LOCK	HIT-45AW3
ARROW REVOLUTION	PUSH BUTTON CYLINDRICAL	HIT-151
ARROW RL LOCK	CYLINDRICAL LEVER LOCK	HIT-15
ARROW SIERRA	CYLINDRICAL LEVER LOCK	HIT-111
ASSA BROOKLYN	CYLINDRICAL LEVER LOCK	HIT-111
BALDWIN MORTISE LOCK	MORTISE LOCK	HIT-45BHI
BEST BASIS 93KG-93KBV 93KZ	PUSH BUTTON CYLINDRICAL	HIT-135
BEST 34H-37H	MORTISE LOCK	HIT-66-230
BEST 73KC MEDIUM DUTY LEVER	CYLINDRICAL LEVER LOCK	HIT-12
BEST 9K GRADE 1 HEAVY DUTY LEVER	CYLINDRICAL LEVER LOCK	HIT-12
BEST LOCK B.A.S.I.S.	CYLINDRICAL ACCESS COLTROL	HIT-135
BEST MORTISE LOCK 30H	MORTISE LOCK	HIT-45BE7
BEST MORTISE LOCK 34H-37H-45H-47H	MORTISE LOCK	HIT-66-230
BUILDERS BRASS 5024 FLUSH BOLT	FLUSH BOLT ALUMINUM DOOR	HIT-30FB1
BUILDERS BRASS 5024 FLUSH BOLT	FLUSH BOLT ALUMINUM DOOR	HIT-45FB1
BUILDERS BRASS HOSPITAL PUSH / PULL	HOSPITAL PUSH / PULL LATCH	HIT-124
CABINET LOCKS - WOOD DOOR OR DRAWER	CABINET LOCK	HIT-25
CAL-ROYAL GRADE 1 - NEW STYLE	CYLINDRICAL LEVER LOCK	HIT-111
CAL-ROYAL GRADE 1 - OLD STYLE	CYLINDRICAL LEVER LOCK	HIT-12
CODELOCK 5000 SERIES	PUSH BUTTON CYLINDRICAL	HIT-134
CORBIN/RUSSWIN	MORTISE LOCK	HIT-45CRI
CORBIN/RUSSWIN	MORTISE LOCK	HIT-66-235
CORBIN/RUSSWIN CL3300 SERIES	CYLINDRICAL LEVER LOCK	HIT-111
CORBIN/RUSSWIN CL3400 SERIES	CYLINDRICAL LEVER LOCK	HIT-111
CORBIN/RUSSWIN CL3500 SERIES	CYLINDRICAL LEVER LOCK	HIT-111
CORBIN/RUSSWIN CL3600 SERIES	CYLINDRICAL LEVER LOCK	HIT-111
CORBIN/RUSSWIN CL3800 SERIES	CYLINDRICAL LEVER LOCK	HIT-111
CORBIN/RUSSWIN CL3900 SERIES	CYLINDRICAL LEVER LOCK	HIT-111
DON-JO 1550 ALUMINUM FLUSH BOLT	ALUMINUM FLUSH BOLT	HIT-45FB1
DON-JO 1551 ALUMINUM FLUSH BOLT	ALUMINUM FLUSH BOLT	HIT-45FB1
DON-JO 4500 HOSPITAL PUSH / PULL	HOSPITAL PUSH / PULL LATCH	HIT-124
DORMA CL700 SERIES GRADE 2	CYLINDRICAL LEVER LOCK	HIT-111
DORMA CL800 SERIES GRADE 1	CYLINDRICAL LEVER LOCK	HIT-111
DYNALOCK PAL1200	PUSH BUTTON CYLINDRICAL	HIT-110
FALCON MORTISE LOCK	MORTISE LOCK	HIT-45FL4
FALCON MA SERIES	MORTISE LOCK	HIT-66-240
FALCON T SERIES GRADE	CYLINDRICAL LEVER LOCK	HIT-111
FALCON W SERIES GRADE	CYLINDRICAL LEVER LOCK	HIT-111
FOLGER ADAM 200 SERIES STRIKE OFFSET HUNG	"ELECTRIC STRIKE - 4-7/8" FACE"	HIT-41FA1
FOLGER ADAM 200 SERIES STRIKE OFFSET HUNG	"ELECTRIC STRIKE - 6-7/8" FACE"	HIT-41FA2
GENERAL LOCK L1 SERIES	CYLINDRICAL LEVER LOCK GRADE 1	HIT-111
GENERAL LOCK L2 SERIES	CYLINDRICAL LEVER LOCK GRADE 2	HIT-15
GLYNN JOHNSON / IVES AUTO FLUSH BOLT	FLUSH BOLT WOOD DOOR	HIT-42FB8
GLYNN JOHNSON HOSPITAL PUSH / PULL	HOSPITAL PUSH / PULL LATCH	HIT-123
HAGER 3400 SERIES GRADE 1	CYLINDRICAL LEVER LOCK	HIT-111
HAGER 3500 SERIES GRADE 2	CYLINDRICAL LEVER LOCK	HIT-15
HAGER 3800 SERIES MORTISE LOCK	MORTISE LOCK	HIT-66-248
HES 5000 & 5700 SERIES STRIKE CTR HUNG	"ELECTRIC STRIKE - 4-7/8" FACE"	HIT-41HS4
HES 5000 & 5700 SERIES STRIKE OFFSET HUNG	"ELECTRIC STRIKE - 4-7/8" FACE"	HIT-41HS1
HES RF5010 SERIES STRIKE EXT ANT OFFSET HUNG	"ELECTRIC STRIKE - 4-7/8" FACE"	HIT-41HS1
HES RF5010 SERIES STRIKE EXT ANT CENTER HUNG	"ELECTRIC STRIKE - 4-7/8" FACE"	HIT-41HS4
HES 5000 & 5700 SERIES STRIKE OFFSET HUNG	"ELECTRIC STRIKE - 6-7/8" FACE"	HIT-41HS2
HES RF5010 SERIES STRIKE EXT ANT OFFSET HUNG	"ELECTRIC STRIKE - 6-7/8" FACE"	HIT-41HS2
HES 5200 SERIES STRIKE OFFSET HUNG	"ELECTRIC STRIKE - 4-7/8" FACE"	HIT-41HS5
HES 5200 SERIES STRIKE OFFSET HUNG	"ELECTRIC STRIKE - 6-7/8" FACE"	HIT-41HS6
HES RF5210 SERIES STRIKE EXT ANT OFFSET HUNG	"ELECTRIC STRIKE - 4-7/8" FACE"	HIT-41HS5
HES RF5210 SERIES STRIKE EXT ANT OFFSET HUNG	"ELECTRIC STRIKE - 6-7/8" FACE"	HIT-41HS6
HES 7001 SERIES STRIKE OFFSET HUNG	"ELECTRIC STRIKE - 4-7/8" FACE"	HIT-41HS3
IDN BRAND LEVER LOCK L100 SERIES GRADE 2	CYLINDRICAL LEVER LOCK	HIT-15
IDN BRAND LEVER LOCK L200 SERIES GRADE 1	CYLINDRICAL LEVER LOCK	HIT-111
IEI - LSI	PUSH BUTTON CYLINDRICAL	HIT-110
INGERSALL RAND HOSPITAL PUSH / PULL	HOSPITAL PUSH / PULL LATCH	HIT-123
INTERNATIONAL FB-1200 FLUSH BOLT	FLUSH BOLT ALUMINUM DOOR	HIT-30FB1
INTERNATIONAL FB-1200 FLUSH BOLT	FLUSH BOLT ALUMINUM DOOR	HIT-45FB1
IVES 262 FLUSH BOLT	FLUSH BOLT WOOD DOOR	HIT-42FB6
IVES HOSPITAL PUSH / PULL	HOSPITAL PUSH / PULL LATCH	HIT-123
JACKSON 1095 PANIC	PANIC IN ALUMINUM DOOR	HIT-32JP2
KABA 5000 SERIES	MORTISE LOCK	HIT-66-250
KABA 660/760/770/790 SERIES	MORTISE LOCK	HIT-66-251

LOCK MANUFACTURER

TYPE OF HARDWARE

TEMPLATE

KABA ILCO EE1000 SERIES.....	PUSH BUTTON CYLINDRICAL.....	HIT-108
KABA ILCO EPS-2000 POWER STAR.....	PUSH BUTTON CYLINDRICAL.....	HIT-131
KABA ILCO 1000 / L1000 SERIES.....	PUSH BUTTON CYLINDRICAL.....	HIT-102
KABA ILCO 2000 SERIES EPLEX.....	PUSH BUTTON CYLINDRICAL.....	HIT-131
KABA ILCO EPS 2000 SERIES POWER STAR.....	PUSH BUTTON CYLINDRICAL.....	HIT-131
KABA ILCO 4000 SERIES.....	PUSH BUTTON CYLINDRICAL.....	HIT-104
KABA ILCO 5000 SERIES.....	PUSH BUTTON CYLINDRICAL.....	HIT-116
KABA ILCO 5200 SERIES.....	PUSH BUTTON CYLINDRICAL.....	HIT-116
KABA ILCO 5700 E PLEX.....	PUSH BUTTON CYLINDRICAL.....	HIT-116
KABA ILCO 5800 E PLEX.....	PUSH BUTTON CYLINDRICAL.....	HIT-116
KABA ILCO 5900 E PLEX.....	PUSH BUTTON CYLINDRICAL.....	HIT-116
KABA ILCO 6000 SERIES.....	PUSH BUTTON CYLINDRICAL.....	HIT-101
KABA ILCO 660/760 CYLINDRICAL.....	HOTEL/MOTEL LOCK.....	HIT-131
KABA ILCO 7000 SERIES.....	PUSHBUTTON AUXILIARY DL OR DB.....	HIT-107
KABA ILCO 710 LEARN LOK.....	PUSH BUTTON CYLINDRICAL.....	HIT-109
KABA ILCO 710 MORTISE.....	PUSH BUTTON MORTISE.....	HIT-45UN2
KABA ILCO 8100 MORTISE.....	PUSH BUTTON MORTISE.....	HIT-45UN8
KABA ILCO 850 LEARN LOK.....	PUSH BUTTON CYLINDRICAL.....	HIT-109
KABA ILCO 850 MORTISE.....	PUSH BUTTON MORTISE.....	HIT-45UN2
KABA ILCO 900 SERIES DEAD BOLT & LATCH.....	PUSHBUTTON AUXILIARY LOCK.....	HIT-130
KABA ILCO 950 LEARN LOK.....	PUSH BUTTON CYLINDRICAL.....	HIT-109
KABA ILCO 950 MORTISE.....	PUSH BUTTON MORTISE.....	HIT-45UN2
KABA ILCO POWER LEVER (MAS-HAMILTON).....	PUSH BUTTON CYLINDRICAL.....	HIT-105
LORI 2100 SERIES RETRO KIT.....	CYLINDRICAL LEVER LOCK.....	HIT-111
LORI 2200 SERIES RETRO KIT.....	CYLINDRICAL LEVER LOCK.....	HIT-111
LORI 2250 SERIES RETRO KIT.....	CYLINDRICAL LEVER LOCK.....	HIT-111
LSDA LF SERIES (GRADE 1).....	CYLINDRICAL LEVER LOCK.....	HIT-111
LSDA LX SERIES.....	CYLINDRICAL LEVER LOCK.....	HIT-15
MARKS HDWE 170 SERIES.....	CYLINDRICAL LEVER LOCK.....	HIT-111
MARKS HDWE 190/195 SERIES.....	CYLINDRICAL LEVER LOCK.....	HIT-13
MARKS HDWE 195/295 SERIES.....	CYLINDRICAL LEVER LOCK.....	HIT-111
MARKS I-QUE.....	PUSH BUTTON CYLINDRICAL.....	HIT-110
MARKS I-QWIK.....	PUSH BUTTON CYLINDRICAL.....	HIT-110
MARKS MORTISE LOCK.....	MORTISE LOCK.....	HIT-45MK5
MARKS MORTISE LOCK.....	MORTISE LOCK.....	HIT-66-255
MAS-HAMILTON POWER LEVER.....	CYLINDRICAL LEVER LOCK.....	HIT-111
MEDECO EMBASSY 17 SERIES.....	CYLINDRICAL LEVER LOCK.....	HIT-111
MEDECO EMBASSY 19 SERIES.....	CYLINDRICAL LEVER LOCK.....	HIT-111
MORTISE CYLINDER RETRO INSTALL.....	MORTISE CYLINDER.....	HIT-22
OMNILOCK.....	CYLINDRICAL LEVER LOCK.....	HIT-111
ONITY CT SERIES.....	MORTISE LOCK.....	HIT-66-263
ONITY HT SERIES.....	MORTISE LOCK.....	HIT-66-264
PDQ MORTISE LOCK.....	MORTISE LOCK.....	HIT-45PQ1
PDQ SPIRIT ALL SERIES.....	CYLINDRICAL LEVER LOCK.....	HIT-111
RCI 4-5&7000 SERIES STRIKE OFFSET HUNG.....	"ELECTRIC STRIKE - 4-7/8" FACE".....	HIT-41RC6
RCI 4-5&7000 SERIES STRIKE OFFSET HUNG.....	"ELECTRIC STRIKE - 6-7/8" FACE".....	HIT-41RC8
RCI S6504 ELECTRIC STRIKE OFFSET HUNG.....	"ELECTRIC STRIKE - 4-7/8" FACE".....	HIT-41RC7
RCI S6507 ELECTRIC STRIKE OFFSET HUNG.....	"ELECTRIC STRIKE - 6-7/8" FACE".....	HIT-41RC9
RUSSWIN MORTISE LOCK.....	MORTISE LOCK.....	HIT-45CR1
S PARKER HDWE XL SERIES.....	CYLINDRICAL LEVER LOCK.....	HIT-12
SAFLOK MT SERIES.....	MORTISE LOCK.....	HIT-66-266
SALTO XS-4.....	CYLINDRICAL & MORTISE LOCK.....	HIT-66-268
SARGENT 10 LINE GRADE 1.....	CYLINDRICAL LEVER LOCK.....	HIT-15
SARGENT 114 & 115 SERIES.....	HOSPITAL PUSH / PULL LATCH.....	HIT-125
SARGENT 6500 SERIES GRADE 2.....	CYLINDRICAL LEVER LOCK.....	HIT-13
SARGENT MORTISE LOCK 8100/8200 SERIES.....	MORTISE LOCK.....	HIT-66-272
SARGENT MORTISE LOCK 8100 SERIES.....	MORTISE LOCK.....	HIT-45SA1
SARGENT MORTISE LOCK 8200 SERIES.....	MORTISE LOCK.....	HIT-45SA1
SARGENT RL GRADE 2 LEVER.....	CYLINDRICAL LEVER LOCK.....	HIT-15
SCHLAGE AD CYLINDRICAL.....	PUSH BUTTON CYLINDRICAL.....	HIT-145
SCHLAGE AD MORTISE.....	MORTISE LOCK.....	HIT-66-280
SCHLAGE AL GRADE 2.....	CYLINDRICAL LEVER LOCK.....	HIT-111
SCHLAGE CO.....	MORTISE LOCK.....	HIT-66-281
SCHLAGE CO CYLINDRICAL.....	PUSH BUTTON CYLINDRICAL.....	HIT-146
SCHLAGE KING COBRA.....	ALUMINUM DOOR RETRO FIT.....	HIT-40SL3
SCHLAGE D SERIES RHODES GRADE 1.....	CYLINDRICAL LEVER LOCK.....	HIT-111
SCHLAGE L SERIES.....	MORTISE LOCK.....	HIT-45SL1
SCHLAGE L SERIES.....	MORTISE LOCK.....	HIT-66-282
SCHLAGE ND SERIES RHODES GRADE 1.....	CYLINDRICAL LEVER LOCK.....	HIT-111
SCHLAGE VR900 SECURITY TRIM.....	MORTISE LOCK SECURITY TRIM.....	HIT-32SL9
SDC-E72.....	PUSH BUTTON CYLINDRICAL.....	HIT-110
SECURITRON SABL.....	ELECTRONIC CYLINDRICAL LOCK.....	HIT-133
STANLEY K2 HARDWARE GRADE 1.....	CYLINDRICAL LEVER LOCK.....	HIT-111
STANLEY K2 HARDWARE GRADE 2.....	CYLINDRICAL LEVER LOCK.....	HIT-111
TACO GRADE 1 LEVER.....	CYLINDRICAL LEVER LOCK.....	HIT-15
TA WEST GRADE 2 LEVER.....	CYLINDRICAL LEVER LOCK.....	HIT-15
TESA C3M537M SERIES.....	PUSH BUTTON CYLINDRICAL.....	HIT-115
TOWNSTEEL TF CYLINDRICAL LEVER LOCK.....	CYLINDRICAL LEVER LOCK.....	HIT-111
TOWNSTEEL TG CYLINDRICAL LEVER LOCK.....	CYLINDRICAL LEVER LOCK.....	HIT-111
TRIMCO HOSPITAL PUSH / PULL.....	HOSPITAL PUSH / PULL LATCH.....	HIT-124
USCAN BRAND LEVER LOCK.....	CYLINDRICAL LEVER LOCK GRADE 2.....	HIT-15
US LOCK GRADE 2 LEVER.....	CYLINDRICAL LEVER LOCK.....	HIT-15
VON DUPRIIN 22 SERIES PANIC HARDWARE.....	PANIC HARDWARE.....	HIT-32VD2
VON DUPRIIN 98 SERIES RIM PANIC.....	RIM PANIC HARDWARE.....	HIT-32VD9W
VON DUPRIIN 99 SERIES RIM PANIC.....	RIM PANIC HARDWARE.....	HIT-32VD9W
VON DUPRIIN XP99 SERIES RIM PANIC.....	RIM PANIC HARDWARE.....	HIT-32VD9W
VON DUPRIIN 9927 SERIES RIM PANIC.....	VERTICLE ROD PANIC HARDWARE.....	HIT-32VD9W
VON DUPRIIN 5100 SERIES STRIKE OFFSET HIUNG.....	"ELECTRIC STRIKE - 4-7/8" FACE".....	HIT-41VD5
YALE 5300LN - GRADE 2.....	CYLINDRICAL LEVER LOCK.....	HIT-111
YALE 5400LN - GRADE 1.....	CYLINDRICAL LEVER LOCK.....	HIT-111
YALE E5400LN EBOSS.....	PUSHBUTTON CYLINDRICAL LOCK.....	HIT-132
YALE INTOUCH.....	PUSHBUTTON CYLINDRICAL LOCK.....	HIT-151
YALE MORTISE LOCK.....	MORTISE LOCK 8800 SERIES - NEW.....	HIT-45YA2

HIT-460 PRACTICE INSTALLATION STATION

Don't practice installing locks on your customer's doors! Now you can try out new installation tools and procedures before you go out on a job. Designed to hold aluminum door and jamb material, it's the perfect way to practice installing electric strikes, locks and latches. Don't have door or jamb material? We can supply that also. The 30" long HIT-461 door style is drilled and tapped to fit the Installation Station and will allow 2 lock installations. The 18-1/2" long HIT-462 can be used for 4 electric strike installations. The HIT-460 can also hold your wood blocks for other types of practice. The HIT-460 Practice Installation Station is a great addition to a hands on employee training program.

HIT-460 PRACTICE INSTALLATION STATION

HIT-461 ALUMINUM DOOR STYLE—RADIUS FACE—30" LONG

HIT-462 ALUMINUM JAMB TUBE 18-1/2" LONG



HIT-111

Our most versatile drill guide for retrofit jobs. The HIT-111 is a multipurpose jig used on both wooden or metal doors to retrofit cylindrical lever locks by Assa, Arrow, Corbin, Marks, Schlage, Russwin and many more. HIT-111 is your all-around tool for ADA mandated lever handle locks. Drill bushings on both sides of fixture to allow drilling from both sides of door. Fits 1-3/8" to 2" doors with standard 2-3/4" backset or 3-3/4" and 5" backset doors with the HIT-BAK. [See compatibility chart for complete list of locks covered.](#) (This tool replaces our old HIT-1 and HIT-11 drill guide.)



HIT-2

The HIT-2 is a multi-purpose nut driver for use on Schlage Rhodes, Schlage Rhodes Interchangeable Core, Assa Brooklyn, Arrow Sierra, Sargent LN, NT Falcon and Omnilock locks. The HIT-2 provides for better grip and control when tightening the spindle locking nut than does the plastic tool provided by the manufacturer, greatly decreasing installation time.



HIT-20

This multi-purpose nut driver is designed for Corbin/Russwin 800/CL3400 Series, Medeco Embassy, and Yale 5400L Series Grade 1 cylindrical lever locks. Why waste time with the throwaway drivers provided by manufacturers when you can do the job right-and faster with the HIT-20?



HIT-BAK

The HIT-BAK is an adapter kit usable with ALL the HIT series installation tools. Consisting of standoff bolts for both 3-3/4" and 5" backsets, the HIT-BAK provides for total on-the-job versatility.



HIT-15

For Sargent 10 Line, U.S. Lock, IDN and other Import Grade 2 Lever Locks

Accurately retro fit standard 2-1/8" crossbore holes with the thru-bolt holes required by the popular grade 2 lever handle locks sold by U.S. Lock and IDN Distributors. Will install other imported locks that use 5/16" diameter through bolts with a 2-5/8" center to center spacing. This unit through bolts to door using the existing 2-1/8" crossbore for alignment. All required mounting and function holes are located with hardened drill bushings on both sides of template to allow drilling from either side of door. See compatibility chart for complete list of locks covered. Standard drill guide will accommodate doors up to 2" thick, with a 2-3/4" backset. Locks with a 3-3/4" or 5" backset requires the optional HIT-BAK adapter.



HIT-12

For Best Cylindrical Lever Locks

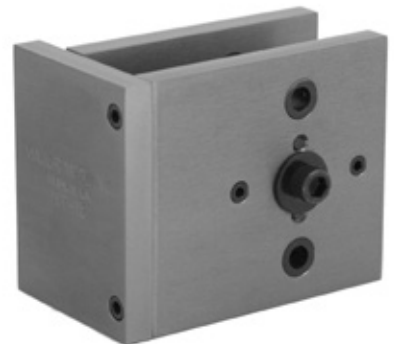
If you install Best cylindrical lever locks, the HIT-12 is one installation tool you'll want. Mounting the HIT-12 to the door is a breeze, and drilling perfectly positioned holes is accomplished in a matter of minutes. Unit has bushings on both front and back plate to allow drilling from both sides of door. Fits 1-3/8" to 2" doors with a standard 2-3/4" backset or fits 3-3/4" and 5" doors with the HIT-BAK. See compatibility chart for complete list of locks covered.



HIT-13

For Sargent 6500 Series Grade 2 Locks

Designed to be used with Sargent 6500 series grade 2 locks as well as many imported and private labeled locks. Fits 1-3/8" to 2" doors with a standard 2-3/4" backset or 3-3/4", and 5" backset doors with the HIT-BAK. Unit has bushings on both front and back plate to allow drilling from both sides of door. See compatibility chart for complete list of locks covered.



HIT-101

For Unican 6000 Series Pushbutton Lock

Speed and precision make the HIT-101 a handy tool to aid today's locksmith. Installing Unican's 6000 series pushbutton lock is quick and easy using the existing 2-1/8" crossbore for alignment. All required holes are located with hardened drill bushings on both front and back plates to allow drilling from either side of door. Standard drill guide will accommodate doors up to 2" thick, with a 2-3/4" backset. Locks with a 3-3/4" or 5" backset requires the optional HIT-BAK adapter.



HIT-102

For Kaba Ilco 1000 Series and Alarm Lock Trilogy

Designed for Kaba Ilco 1000 series and Alarm Lock Trilogy T2, T3 & T3 Prox push button locks. Quickly locates and permits drilling of all through bolt holes, including lever holes and anchor tabs and wire run for Trilogy and combination change hole for Kaba Ilco. The HIT-102 is for use with 2-3/4" backset and 1-3/8" to 2" thick doors. Unit has bushings on both front and back plate to allow drilling from both sides of door. Replaces HIT-10 drill guide. Locks with a 3-3/4" or 5" backset requires the optional HIT-BAK adapter.



HIT-107 Drill Guide

For Kaba Ilco 7000 Series Pushbutton Lock

Installing the Kaba Ilco pushbutton lock can be completed in minutes when using the HIT-107. The existing 2-1/8" crossbore is used for alignment, all mounting holes are accurately located with hardened drill bushings on both sides of the drill guide to allow drilling from either side of door. Standard drill guide will accommodate doors up to 2" thick with a 2-3/8" or 2-3/4" backset and will install both deadlatch and deadbolt models. Locks with a 3-3/4" or 5" backset requires the optional HIT-BAK adapter.



HIT-108 Drill Guide

For Kaba Ilco EE1000 Series Pushbutton Lock

Installing an EE1000 Kaba Ilco is quick and accurate when using the HIT-108. Using the existing 2-1/8" crossbore for alignment, all mounting holes are accurately located with hardened drill bushings on both sides of drill guide to allow drilling from either side of the door. This unit mounts into the existing crossbore for alignment. Standard drill guide will accommodate doors up to 2" thick, with a 2-3/4" backset. Locks with a 3-3/4" or 5" backset requires the optional HIT-BAK adapter.



HIT-109 Drill Guide

**For Kaba Ilco
Solitaire 850/950
Electronic Access
Control System**

Retrofitting a standard 2-1/8" crossbore to accommodate the 850/950 Kaba Ilco Solitaire Series lock is made simpler with the HIT-109. All mounting and function holes are located with hardened drill bushings on both sides of template to allow drilling from either side of door. This unit is mounted to the door with the alignment of the existing 2-1/8" crossbore. Standard drill guide will accommodate doors up to 2" thick, with a 2-3/4" backset. Locks with a 3-3/4" or 5" backset requires the optional HIT-BAK adapter.



HIT-110 Drill Guide

**For Marks I-Que,
SDC E72, IEI LS1
Doorguard, and
DynaLock PAL1200
Pushbutton Locks**

Accurately install Marks I-Que, SDC E72, IEI LS1 Doorguard, and DynaLock PAL1200 pushbutton locks using the HIT-110. This unit thru-bolts to door using the existing 2-1/8" crossbore for alignment and all required holes are located with hardened drill bushings on both front and back plates to allow drilling from either side of door. Standard drill guide will accommodate doors up to 2" thick, with a 2-3/4" backset. Locks with a 3-3/4" or 5" backset requires the optional HIT-BAK adapter.



HIT-115 Drill Guide

**For TESA
C3M537M
Electronic Lock**

When installing a C3M537M TESA, you'll want to use the HIT-115. The existing 2-1/8" crossbore is utilized for alignment, while hardened drill bushings on both sides of drill guide ensure rapid and accurate drilling from either side of the door. Standard drill guide will accommodate doors up to 2" thick, with a 2-3/4" backset. Locks with a 3-3/4" or 5" backset requires the optional HIT-BAK adapter.



HIT-116 Drill Guide

**For Kaba Ilco
1000, 5000,
E-Plex 5000,
5700, and 5800**

Accurately install Kaba Ilco 1000, 5000 and 5000 E-Plex series pushbutton locks using the HIT-116 combination drill guide. This unit thru-bolts to door using the existing 2-1/8" crossbore for alignment. All required mounting and function holes are located with hardened drill bushings on both sides of template to allow drilling from either side of door. Standard drill guide will accommodate doors up to 2" thick, with a 2-3/4" backset. Locks with a 3-3/4" or 5" backset requires the optional HIT-BAK adapter.



HIT-118 Drill Guide

**For Alarm Lock
Trilogy T2, T3
and T3 Prox**

Accurately install Alarm Lock T2, T3 and T3 Prox pushbutton locks using the HIT-118 drill guide. This unit thru-bolts to door using the existing 2-1/8" crossbore for alignment. All required mounting and function holes are located with hardened drill bushings on both sides of template to allow drilling from either side of door. Standard drill guide will accommodate doors up to 2" thick, with a 2-3/4" backset. Locks with a 3-3/4" or 5" backset requires the optional HIT-BAK adapter.



HIT-123 Drill Guide

**For Glynn Johnson,
Ives & IR Brand
Hospital Push/
Pull Latches**

This drill guide is designed to retrofit a standard 2-1/8" Crossbore, to accept the Ingersoll-Rand brands of hospital push-pull latches. The HIT-123 uses the existing crossbore for alignment, and all required through bolt holes are located with hardened drill bushings on both sides of template, to allow drilling from either side of door. Standard drill guide will accommodate doors up to 2" thick with a standard 2-3/4" backset. Locks with a 3-3/4" or 5" backset requires the optional HIT-BAK adapter.



HIT-124 Drill Guide

**For Don-Jo, Trimco
and Builders Brass
Works Hospital
Push / Pull
Latches**

This drill guide is designed to retrofit a standard 2-1/8" Crossbore, to accept the Don-Jo, Trimco, and BBW brands of hospital push-pull latches. The HIT-124 uses the existing crossbore for alignment, and all required through bolt holes are located with hardened drill bushings on both sides of template, to allow drilling from either side of door. Standard drill guide will accommodate doors up to 2" thick with a standard 2-3/4" backset. Locks with a 3-3/4" or 5" backset requires the optional HIT-BAK adapter.



HIT-125 Drill Guide

**For Sargent 114 &
115 Hospital Push/
Pull Latches**

This drill guide is designed to retrofit a standard 2-1/8" Crossbore, to accept the Sargent 114 & 115 hospital push-pull latches. The HIT-125 uses the existing crossbore for alignment, and all required through bolt holes are located with hardened drill bushings on both sides of template, to allow drilling from either side of door. Standard drill guide will accommodate doors up to 2" thick with a standard 2-3/4" backset. Locks with a 3-3/4" or 5" backset requires the optional HIT-BAK adapter.



HIT-131 Drill Guide

**For KABA E-Plex 2000
& 660/760 Series
Cylindrical Lock**

Accurately install KABA E-Plex 2000 and 660/760 series locks using the HIT-131. This unit thru-bolts to door using the existing 2-1/8" crossbore for alignment. All required mounting and function holes are located with hardened drill bushings on both sides of template to allow drilling from either side of door. Standard drill guide will accommodate doors up to 2" thick, with a 2-3/4" backset. Use optional HIT-BAK adapter for 3-3/4" or 5" backset locks..



HIT-132 Drill Guide

**For Yale E5400LN
Eboss Pushbutton
Lock**

Installing a Yale Eboss is quick and accurate when using the HIT-132. Using the existing 2-1/8" crossbore for alignment, all mounting holes are accurately located with hardened drill bushings on both sides of drill guide to allow drilling from either side of door. Standard drill guide will accommodate doors up to 2" thick, with a 2-3/4" backset. Locks with a 3-3/4" or 5" backset requires the optional HIT-BAK adapter.



HIT-133 Drill Guide

**For Securitron Sabl
Digital Lock**

Installing Securitron SABL electronic lock is quick and easy when using the HIT-132. Using the existing 2-1/8" crossbore for alignment, all mounting holes are accurately located with hardened drill bushings on both sides of drill guide to allow drilling from either side of door. A second drill guide for the 5/16" wire run that runs at a diagonal from the crossbore is also included. This guide uses the two lock thru-bolt holes for alignment. Standard drill guide will accommodate doors up to 2" thick, with a 2-3/4" backset. Locks with a 3-3/4" or 5" backset requires the optional HIT-BAK adapter.



HIT-135 Drill Guide

**For BEST
B.A.S.I.S. 93K
Series Cylindrical
Mechanical Lock**

Accurately install Best B.A.S.I.S. series locks using the HIT-135 Drill Guide. This unit, thru-bolts to door using the existing 2-1/8" crossbore for alignment. All required mounting and function holes are located with hardened drill bushings, on both sides of template, to allow drilling from either side of door. Standard drill guide will accommodate doors up to 2" thick and a 2-3/4" Backset.



HIT-145
DRILL GUIDE For
SCHLAGE AD
CYLINDRICAL LOCK

Accurately install Schlage AD cylindrical series locks using the HIT-145 Drill Guide. This unit, thru-bolts to door, using the existing 2-1/8" crossbore for alignment. All required mounting and function holes including the DPS switch in the door edge are located with hardened drill bushings. There are drill bushings on both sides of template, to allow drilling from either side of door. Standard drill guide will accommodate doors up to 2" thick with a 2-3/4" Backset. DPS drill guide will center on a standard 1-3/4" door.



HIT-146
DRILL GUIDE For
SCHLAGE CO
CYLINDRICAL LOCK

Accurately install Schlage CO cylindrical series locks using the HIT-146 Drill Guide. This unit, thru-bolts to door, using the existing 2-1/8" crossbore for alignment. All required mounting and function holes including the DPS switch in the door edge are located with hardened drill bushings. There are drill bushings on both sides of template, to allow drilling from either side of door. This drill guide will template both wood or steel doors. Standard drill guide will accommodate doors up to 2" thick with a 2-3/4" Backset. DPS drill guide will center on a standard 1-3/4" door.



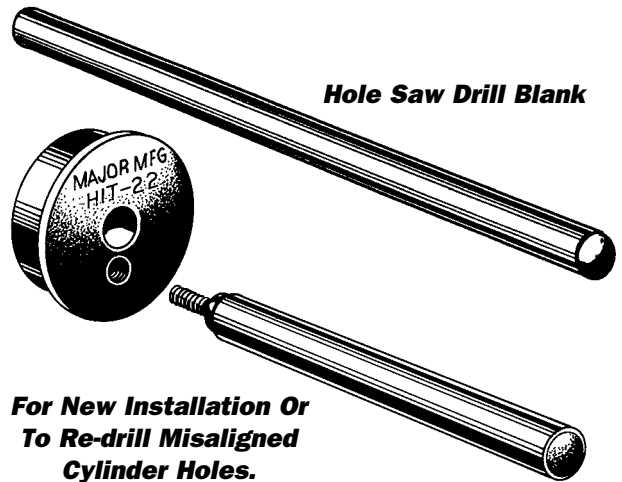
HIT-151
DRILL GUIDE
for ARROW
REVOLUTION and
YALE INTOUCH
PUSHBUTTON
LOCKS

Accurately install Arrow Revolution and Yale Intouch series pushbutton locks using the HIT-151. This unit thru-bolts to door using the existing 2-1/8" crossbore for alignment. All required mounting and function holes are located with hardened drill bushings on both sides of template to allow drilling from either side of door. Standard drill guide will accommodate doors up to 2" thick. Standard backset is 2-3/4".

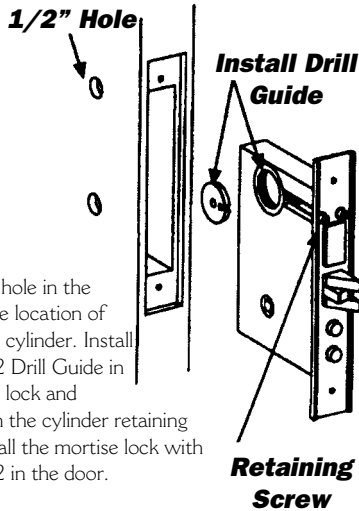


HIT-22 Mortise Cylinder Drill Guide

Until now, installing a mortise cylinder in the proper location was a hit or miss proposition. With our HIT-22 it will always be in the right spot. Simply mark where the cylinder should go on the door and drill a 1/2" hole. Place the HIT-22 in the lock like a mortise cylinder, tighten the mounting screw and install the lock in the door. You will see the guide thru the 1/2" hole in the door. Using a 1-1/4" hole saw, insert the hole saw pilot in the guide and drill the cylinder hole. You will have a perfect installation or re-drill every time. The HIT-22 includes a drill guide, hole saw pilot and extractor handle.

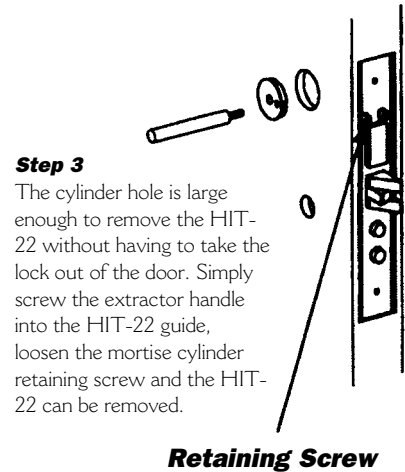


**For New Installation Or
To Re-drill Misaligned
Cylinder Holes.**



Step 1
Drill a 1/2" hole in the approximate location of the mortise cylinder. Install the HIT-22 Drill Guide in the mortise lock and secure with the cylinder retaining screw. Install the mortise lock with the HIT-22 in the door.

Step 2
Remove the pilot drill from a 1-1/4" hole saw and replace with the drill blank that came with the kit. You will be able to see the HIT-22 guide hole thru the 1/2" hole that was drilled in step one. After drilling with the 1-1/4" hole saw, the cylinder hole will be perfectly centered.



Step 3
The cylinder hole is large enough to remove the HIT-22 without having to take the lock out of the door. Simply screw the extractor handle into the HIT-22 guide, loosen the mortise cylinder retaining screw and the HIT-22 can be removed.

HIT-32AL3 Drill Guide

For Alarm Lock DL1200 for Narrow Stile Aluminum Doors

Installing the Alarm Lock DL1200 narrow stile door lock can be completed quickly and accurately with the HIT-32AL3 drill guide. Backset alignment is accomplished with the HIT-22 guide (supplied), then just align vertically and screw the guide to the door. After the installation the screw holes are under the lock case and not visible. Just drill all the through bolt holes from both sides of the door and install the lock. What could be easier?



HIT-32AR8 Drill Guide

For Adams Rite 8800 Panic Hardware

The HIT-32AR8 was designed to install Adams Rite 8800 panic hardware quickly and accurately. The template is mounted with two self drilling screws (hidden under panic case once hardware is mounted) and backset adjustment is automatic. All necessary holes are piloted with hardened drill bushings. Template is reversible for right or left hand doors.



HIT-32VD9W Drill Guide

**For Von Duprin
98, 99, and XP99
Rim and Surface
Vertical Rod
Devices Wood
Door Installations**

Installing a 99 series Von Duprin on a wood door is now easier than ever with our new router template. The HIT-32VD9W template utilizes a plunge type router to make quick and accurate cut outs for lever and other trim. Through bolt holes are located with hardened drill bushings. Backsets can be adjusted for different strikes and door gaps. This unit attaches to the door with three drywall screws, the left over holes are covered by the panic hardware when installed. Visit our website to see a step by step door prep using this guide.



Requires the use of a plunge router with a 1/2" collet equipped with a 5/8" template guide and a 1/2" router bit.

HIT-32VD2 Drill Guide For Von Duprin 22 Series Panic Hardware

The HIT-32VD2 was designed to accurately install Von Duprin 22 series panic hardware in a minimum amount of time. The unit can be used for both rim and vertical devices to be mounted on single doors or double doors with the use of a mullion. Indicator marks provide proper alignment regardless of thickness of doorstop or gap. All location holes are lined with hardened steel bushings on both sides of jig to allow drilling from both sides of the door. Easily attached to wood or steel door with the use of supplied drill screws. (Screw holes are covered by panic device when removed.) Will work on doors up to 2" thick.



HIT-32-380 Drill Guide For Schlage AD Mounted on 99 Series Von Duprin

The HIT-32-380 is our newest drill guide for the Schlage AD series. It is designed to retrofit the 99 Series Von Duprin panic hardware on both wood or metal doors. While it was designed to retrofit, it can also be used to do a new installation on the 99NL device. This unit is non-handed so some of the thru bolt holes will need to be enlarged once the guide is removed from the door. Construction is aluminum with hardened steel drill guides. All drill point locations are identified on the plates so there is no guessing as to what the holes are for. The HIT-32-380 is adjustable for single or double doors with mullions. This guide attaches to the door with dry wall screws on wood doors or tech point screws on metal doors.



HIT-33

Router Template System for Wood Doors

The HIT-33 template system was designed to hold a multitude of router guides used to route openings in wood doors for lock faceplates. The HIT-33 can be mounted to the door with a double headed nail system or the use of common dry wall screws. It can be centered on doors with a thickness from 1-3/8" to 2-1/4". An adjustable slide system can be tightened for repeatability on like size doors. The HIT-33 is machined from bar aluminum and anodized gray. FOR WOOD DOOR USE ONLY



HIT-33FB2

Router Template for Trimco Flush Bolt

Template used to route the body cavity for standard Ives and Trimco style extension flush bolt. Will route a 25/32" wide x 5-11/32" tall opening. Requires the use of a router equipped with a 5/8" od template guide and a 1/2" diameter router bit. The use of a plunge type router is recommended.

NOTE: This template attaches to and requires the HIT-33 template fixture for mounting to door.



HIT-33FB4

Router Template for Flush Bolt Face Plate

Template for standard 1" wide x 6-3/4" tall faceplate used by Ives, BBW, Trimco and other extension flush bolts. Requires the use of a router equipped with a 5/8" od template guide and a 1/2" diameter router bit. The use of a plunge type router is recommended.

NOTE: This template attaches to and requires the HIT-33 template fixture for mounting to door.

HIT-33FB9

Drill Guide for Extension Flush Bolts

Drill guide for extension flush bolts. Adjustable for 1-3/4", 2" and 2-1/4" thick doors. Used to guide the hole from door top or bottom to the flush bolt mortise cavity. Attaches to top or bottom of door with two dry wall screws.



HIT-33FB91

Router Template for Flush Bolt Rod Guide

Template for standard rod guide used by Ives, BBW, Trimco and other extension flush bolts. After drilling the rod hole with the HIT-33FB9 guide, simply screw to the door using the same mounting holes. The use of this template eliminates trying to chisel tricky end grain on the door top or bottom. Requires the use of a router equipped with a 5/8" od template guide and a 1/2" diameter router bit. The use of a plunge type router is recommended.



HIT-33LF1

Router Template for 1" x 2-1/4" Latch Face

Template for standard 1" wide x 2-1/4" tall latch face used on lock sets and deadbolts. Requires the use of a router equipped with a 5/8" od template guide and a 1/2" diameter router bit. The use of a plunge type router is recommended.

NOTE: This template attaches to and requires the HIT-33 template fixture for mounting to door.



MAJOR MFG., INC.
ANAHEIM, CA
HIT-33LF2



HIT-33LF2

Router Template for 1-1/8" x 2-1/4" Latch Face

Template for standard 1-1/8" wide x 2-1/4" tall latch face used on lock sets and deadbolts. Requires the use of a router equipped with a 5/8" od template guide and a 1/2" diameter router bit. The use of a plunge type router is recommended.

NOTE: This template attaches to and requires the HIT-33 template fixture for mounting to door.



HIT-33ML1

Router Template for 1-1/4" x 8" Mortise Lock Face Plate

Template for standard 1-1/4" wide x 8" tall latch face used on mortise locks. Requires the use of a router equipped with a 5/8" od template guide and a 1/2" diameter router bit. The use of a plunge type router is recommended.

NOTE: This template attaches to and requires the HIT-33 template fixture for mounting to door.



HIT-33ML2

Router Template for 1" x 8" Mortise Lock Face Plate

Template for standard 1" wide x 8" tall latch face used on mortise locks. Requires the use of a router equipped with a 5/8" od template guide and a 1/2" diameter router bit. The use of a plunge type router is recommended.

NOTE: This template attaches to and requires the HIT-33 template fixture for mounting to door.

HIT-35 **Router Template for Wood Jambs**

The HIT-35 template system was designed to hold a multitude of router guides used to route openings in wood jambs. The HIT-35 can be mounted to the door jamb with a double headed nail system or the use of common dry wall screws. It can be centered on jamb thickness from 1-3/8" to 2-1/4". An adjustable slide system can be tightened for repeatability on like size jamb conditions. The HIT-35 is machined from bar aluminum and anodized gray.



HIT-35DB1 **Router Template for Dust Box**

Template for standard dust box used on dead bolt and T-strikes. Requires the use of a router equipped with a 5/8" od template guide and a 1/2" diameter router bit. The use of a plunge type router is recommended.

NOTE: This template attaches to and requires the HIT-35 template fixture for mounting to door jamb.

HIT-35DB5 **Router Template for ASA Dust Box**

Template for standard dust box used on ASA strikes. Requires the use of a router equipped with a 5/8" od template guide and a 1/2" diameter router bit. The use of a plunge type router is recommended.

NOTE: This template attaches to and requires the HIT-35 template fixture for mounting to door jamb.



HIT-35RP1

Router Template for Baldwin ASA Re-enforcing Plate

Template for the re-enforcing plate used under Baldwin's ASA mortise strike. Requires the use of a router equipped with a 5/8" od template guide and a 1/2" diameter router bit. The use of a plunge type router is recommended.

NOTE: This template attaches to and requires the HIT-35 template fixture for mounting to door jamb.



HIT-35SP1

Router Template for T-Strike Plate

Template for standard 1-1/8" wide x 2-3/4" tall T-strike. Requires the use of a router equipped with a 5/8" od template guide and a 1/2" diameter router bit. The use of a plunge type router is recommended.

NOTE: This template attaches to and requires the HIT-35 template fixture for mounting to door jamb.

HIT-35SP5

Router Template for ASA Strike Plate

Template for standard 1-1/4" wide x 4-7/8" tall ASA strike. Requires the use of a router equipped with a 5/8" od template guide and a 1/2" diameter router bit. The use of a plunge type router is recommended.

NOTE: This template attaches to and requires the HIT-35 template fixture for mounting to door jamb.



HIT-35SP7

Router Template for Kwikset Deadbolt Strike

Template for standard 1-1/4" wide x 3-5/8" tall Kwikset deadbolt strike. Requires the use of a router equipped with a 5/8" od template guide and a 1/2" diameter router bit. The use of a plunge type router is recommended.

NOTE: This template attaches to and requires the HIT-35 template fixture for mounting to door jamb.



HIT-35SP9

Router Template for Schlage "B" Lock Strike

Template for standard 1-1/8" wide x 2-3/4" tall Schlage deadbolt strike. Requires the use of a router equipped with a 5/8" od template guide and a 1/2" diameter router bit. The use of a plunge type router is recommended.

NOTE: This template attaches to and requires the HIT-35 template fixture for mounting to door jamb.

HIT-30

Template Guide Holder for Adams Rite Templates

Aluminum template holder designed to hold router template guides for installing Adams Rite Locks. Once guide is adjusted for center, it can be moved from door to door just by tightening two knobs. Will accept router templates for 31/32", 1-1/8" and 1-1/2" backset locks. Overall size 3" wide x 13-1/2" tall.

See HIT-30 series template guides for correct installation applications.



HIT-30AR11

Router Template Guide for Adams Rite Locks

Router template guide designed to be used with the HIT-30 clamp fixture. This template is used to route the standard 1" x 6-7/8" faceplate used by Adams Rite. Drill bushings in template locate our mounting brackets for optional ways to mount lock. These brackets are a must for deep style doors. Requires the use of a router equipped with a 3/8" outside diameter template guide and a 1/4" down shear router bit.



HIT-30AR12 & 13

Router Template Guide for Adams Rite Locks

Router template guide designed to be used with the HIT-30 clamp fixture. These templates are used to route the standard openings used by Adams Rite. These templates are reversible for both 31/32" and 1-1/8" backset locks.

Template HIT-30AR12 has a cut out and drill bushings for installing locks with indicators. HIT-30AR13 is for locks with lever or paddle handles.

Requires the use of a router equipped with a 3/8" outside diameter template guide and a 1/4" down shear router bit.



HIT-30AR17 & 18

Router template guide designed to be used with the HIT-30 clamp fixture. These templates are used to route the standard openings used by Adams Rite and is for 1-1/2" backset locks only. Template HIT-30AR17 is for locks with lever or paddle handles. The HIT-30AR18 template has a cut out and drill bushings for installing locks with indicators.

Requires the use of a router equipped with a 3/8" outside diameter template guide and a 1/4" down shear router bit.



HIT-30FB1

ROUTER TEMPLATE GUIDE FOR FLUSH BOLT INSTALLATION

Router template guide designed to be used with the HIT-30 clamp fixture. This template is used to route the opening for International FB-1200 and Builders Brass 5024 in aluminum doors. Drill bushings in template locate the flush bolt mounting screws for a perfect alignment. Requires the use of a router equipped with a 3/8" outside diameter template guide and a 1/4" down shear router bit.



HIT-303

Installation Kit for Adams Rite Locks



A complete ready to go installation kit for Adams Rite style locks and latches comprised of our new HIT-30 template system. Kit includes router templates for 31/32" and 1-1/8" backset locks, with drill guides for indicators, levers and paddles. Also included are templates to cut out bolt openings and lip strikes. An assortment of mounting brackets, cylinder guards and guard plates are also included. All that is needed to use this kit is a router equipped with a 3/8" OD template guide and basic hand tools.

CONTENTS OF KIT

1	HIT-30	MAIN CLAMP BODY
1	HIT-30AR11	FACE PLATE TEMPLATE 1" X 6-7/8"
1	HIT-30AR12	CYLINDER & INDICATOR 31/32" OR 1-1/8" BACKSET
1	HIT-30AR13	CYLINDER & PADDLE OR LEVER
1	HIT-40AR3	AR 4502/4902 STRIKE
1	HIT-40AR5	AR MS1851 BOLT CUT OUT
2	HIT-45RB4	1/4" ROUTER BIT FOR ALUMINUM DOORS
1	CGA-5	CYLINDER GUARD ALUMINUM POWDERCOAT 5 PACK
1	CGD-5	CYLINDER GUARD DURANODIC POWDERCOAT 5 PACK
1	LMB-03	UNIVERSAL MOUNTING BRACKET
1	LMB-033	MOUNTING BRACKET FOR RADIUS FRAME DOOR
1	LMB-034	MOUNTING BRACKET FOR BEVEL FRAME DOOR
1	LMB-06	STEEL ROD GUIDE SQUARE HOLE
1	LMB-07	STEEL ROD GUIDE HEX HOLE
1	LMB-08	MOUNTING BRACKET
1	LMB-089	MOUNTING BRACKET TOOL
1	TOOL BOX	

Modular Installation System For Door Hardware

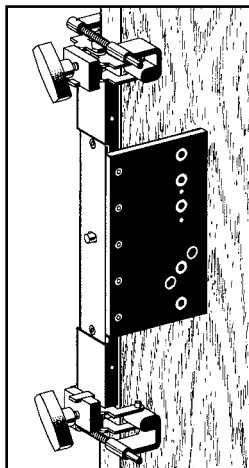
HIT-45

Revolutionary Design

At the center of our installation system is the HIT-45 modular clamp. Using a revolutionary design, the HIT-45 Clamp will work on aluminum, wooden or hollow metal doors. HIT-45 has a grip range from 1-1/4" to over 2-1/4" without the use of special adapters or plates. Clamping pressure is positive with the HIT-45 always being self centering by design. The use of two internal locating studs assures that backset is calculated from door center, regardless of flat, beveled or radius doors. The HIT-45 modular clamp will work with any router or drill template shown, with many more accessories developed for this unique modular design.

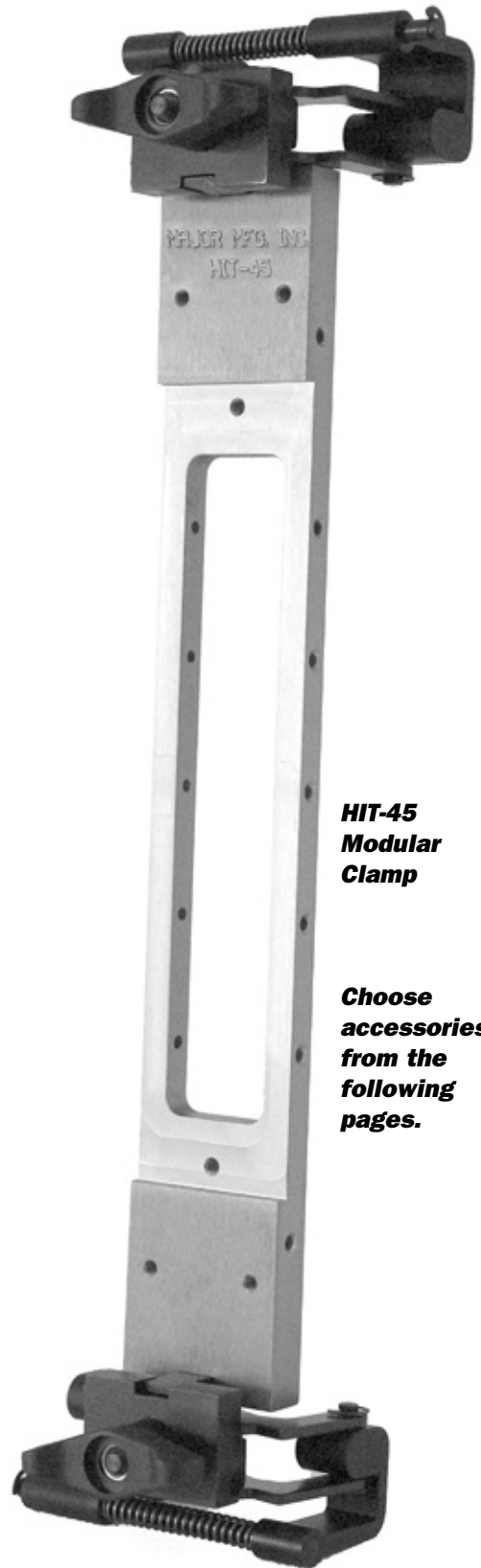
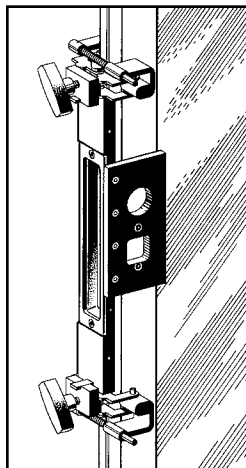
Design Features

- Grip Range From 1-1/4" To 2-1/4"
- Self Centering Clamp Design
- Perfect Backset Calculated From Center Of Door For...
 - Flat
 - Beveled
 - Radius



HIT-45 On Wood Door

HIT-45 On Aluminum Frame Door



HIT-45 Modular Clamp

Choose accessories from the following pages.

ROUTER TEMPLATE GUIDES

Router Template Guides for RYOBI



HIT-45TG2 3/8" OD

Template guide for use on RYOBI model R160 routers. Use 3/8" OD guide with a 1/4" dia. bit for cutting aluminum doors and frames and 5/8" OD guide with a 1/2" dia. bit for wood door faceplate and strike routing.



HIT-45TG4 5/8" OD

Router Template Guides for Sears



HIT-45TG1 3/8" OD

Template guide for use on Sears Craftsman routers. Use 3/8" OD guide with a 1/4" dia. bit for cutting aluminum doors and frames and 5/8" OD guide with a 1/2" dia. bit for wood door faceplate and strike routing. NOTE: Newer model Craftsman routers use HIT-45TG5 and HIT-45TG6 template guides.



HIT-45TG3 5/8" OD



HIT-45TG5 Shown

ROUTER TEMPLATE GUIDES Router Template Guides for Porter Cable, DeWalt and Newer Model Craftsman

HIT-45TG5

3/8" OD template guide for Porter Cable. For use with a 1/4" dia. bit for cutting aluminum doors and frames.

HIT-45TG6

5/8" OD template guide used with a 1/2" dia. bit for routing faceplates for mortise locks and strikes in wood doors.

HIT-45RB4 Router Bit

Special single flute 1/4" diameter down shear router bit used to route openings in aluminum doors and frames.



**Not For Use On Steel
Doors Or Frames.**

HIT-45RB8 Router Bit

Router bit used to route openings in wood doors and jambs. Solid carbide, two flute up shear, 1/2" diameter with overall length of 4". Requires a router with a 1/2" collet. Solid carbide not guaranteed against breakage.



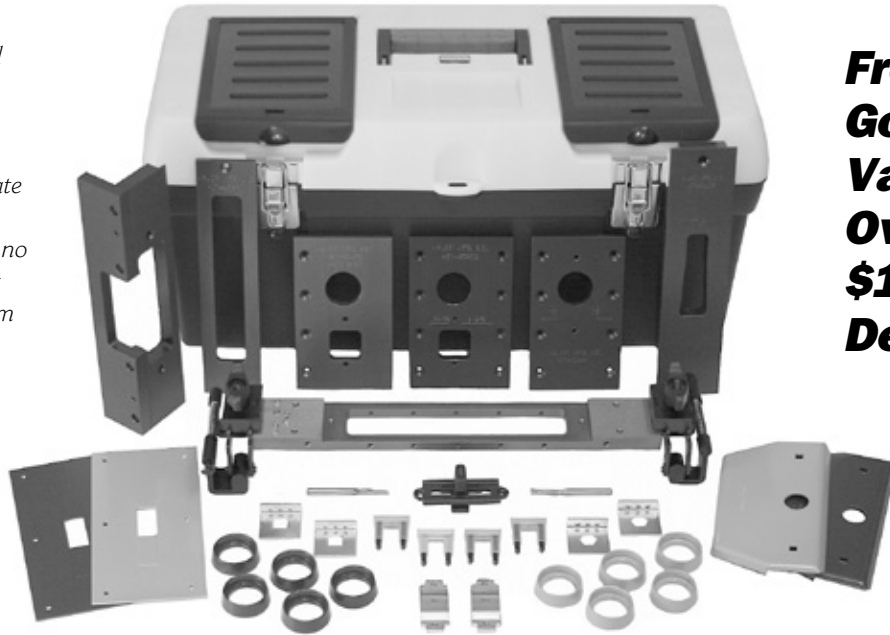
**Not For Use On Steel
Doors Or Frames.**

Routers must be equipped with the proper size template guide and bit to route the required opening. Failure to use a template guide on your router will cause the wrong size opening in the door or jamb and possible damage to your router template.

Deluxe Installation Kit For Adams Rite Locks And Strikes

HIT-452

A deluxe kit with all the templates required to start installing Adams Rite locks, armored and electric strikes. All that is needed is a router equipped with a 3/8" outside diameter template guide and basic tools. Included with the kit at no charge is an assortment of our popular aluminum door security products.



**Free
Goods
Valued
Over
\$135.00
Dealer**

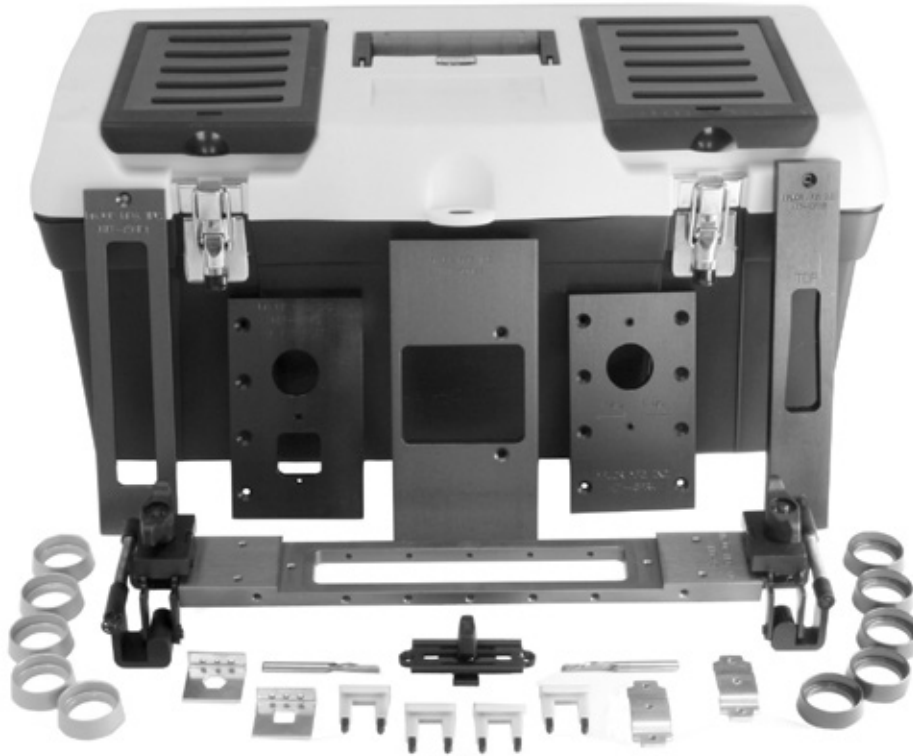
Qty	Item	Description Of Templates In Kit
1	HIT-45	Modular Clamp
1	HIT-45AR1	AR Face Plate 1 X 6-7/8"
1	HIT-45AR2	AR Lock & 4089 Indicator 1-1/8" Backset
1	HIT-45AR3	AR Lock & 4089 Indicator 31/32" & 1-1/2" Backset
1	HIT-45AR4	AR Lock & Paddle/Handle 31/32" & 1-1/8" Backset
2	HIT-45RB4	Router Bit For Aluminum Doors & Jambs
1	HIT-40AR5	Router Template for AR1851 Bolt Cut Out
1	HIT-41AR1	Electric Strike Template F/AR7800
1	HIT-45TB	Tool Box For Kit

Qty	Item	Description Of Free Goods Pack
1	AG1-A	Aluma Guard X Aluminum Powdercoat / Dealer Value \$18.50
1	AG1-D	Aluma Guard X Duranodic Powdercoat / Dealer Value \$18.50
1	CGA-5	Cylinder Gard X Aluminum Powdercoat (5 pack) / Dealer Value \$15.25
1	CGD-5	Cylinder Gard X Duranodic Powdercoat (5 pack) / Dealer Value \$15.25
2	LMB-06	Steel Rod Guide Square Hole / Dealer Value \$4.50
2	LMB-07	Steel Rod Guide Hex Hole / Dealer Value \$4.50
2	LMB-08	Mounting Bracket / Dealer Value \$15.50
1	LMB-089	Mounting Bracket Tool / Dealer Value \$25.50
1	SGA-1	Strike Gard X Aluminum Powdercoat / Dealer Value \$10.25
1	SGD1	Strike Gard X Duranodic Powdercoat / Dealer Value \$10.25

Note: Complete Description Of Individual Templates And Parts May Be Found Elsewhere In Catalog.

**Installation Kit
for Adams Rite Locks**

HIT-453



Our newly revised basic kit with all the templates required to start installing Adams Rite type locks and strikes. All that is needed is a router equipped with a 3/8" outside diameter template guide and basic tools. Included with the kit at no charge is an assortment of our popular aluminum door security products and brackets.

Qty	Item	Description Of Templates In Kit
1	HIT-45	Modular Clamp
1	HIT-45AR1	AR Face Plate 1" x 6-7/8"
1	HIT-45AR2	AR Lock & 4089 Indicator 1-1/8" BKST
1	HIT-45AR4	AR Lock & Paddle/Handle 31/32" & 1-1/8" BKST
2	HIT-45RB4	Router Bit For Alum Doors & Jamb
1	HIT-40AR3	Strike Template For 4902 Lip Strik
1	HIT-40AR5	Strike Template For MS Deadbolt

Qty	Item	Description Of Free Goods Pack
2	LMB-08	Mounting Bracket F/AR Lock
1	LMB-089	Installation Tool F/LMB-08
1	LMB-03	Mounting Bracket F/Alum Doors & Frames
1	LMB-06	Steel Rod Guide
1	LMB-07	Steel Rod Guide
1	CGA-5	Cylinder Guard—Alum Color
1	CGD-5	Cylinder Guard—Dura Color
1	HIT-45TB	Tool Box For Kit

HIT-45 ALUMINUM DOOR TEMPLATES

HIT-45AR1

Use this template and HIT-45 Clamp to route 1" X 6-7/8" faceplate openings used for Adams Rite locks and latches. Requires use of router equipped with 3/8" outside diameter template guide and a 1/4" dia. router bit. (Part # for our router bit HIT-45RB4.)



HIT-45AR2

Use to route cylinder and indicator holes for Adams Rite locks with 1-1/8" backset. Will also locate indicator mounting holes with hardened drill guides. Requires HIT-45 Clamp and router equipped with 3/8" outside diameter template guide and 1/4" dia. router bit. (Part # for our router bit HIT-45RB4.)

HIT-45AR3

For same use as HIT-45AR2 but only for locks with 31/32" or 1-1/2" backset.



HIT-45AR4

Route cylinder and handle or paddle holes for Adams Rite locks and latches with a 31/32" or 1-1/8" backset. Will also locate mounting holes for handles and paddles with hardened drill bushings. Requires HIT-45 Clamp and router equipped with 3/8" outside diameter template guide and 1/4" dia. router bit. (Part # for our router bit HIT-45RB4.)

HIT-45RB4

Special single flute 1/4" diameter down shear router bit used to route openings in aluminum doors and frames.



**Not For Use On Steel
Doors Or Frames.**

For new product updates and the latest up to the minute information, please sign up for e-mail bulletins at www.majormfg.com.

HIT-45 ALUMINUM DOOR TEMPLATES

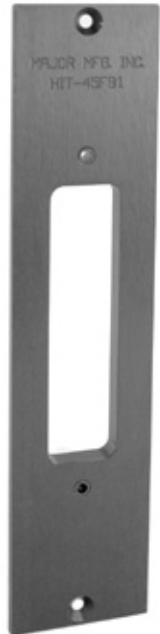
HIT-45AR5

Routes the larger 1 1/4" X 8" faceplate opening used on Adams Rite MS 1850SNSI lock. Requires HIT-45 Clamp and router equipped with 3/8" outside diameter template guide and 1/4" dia. router bit for aluminum doors. For wood doors use a router equipped with a 5/8" outside diameter template guide and a 1/2" flat bottom router bit OR a 5/8" diameter template guide and a 1/2" diameter bit. (Part # for our 1/4" router bit HIT-45RB4.)



HIT-45AR7

Router template for Adams Rite 4550 Deadlock Lever. Template has four hardened drill bushings locating screw mounting holes, router template opening for 4550 indicator and lever cam. May be used to route cylinder opening on outside of door. For use with 1-1/8" backset locks only. Requires the use of a router equipped with a 3/8" outside diameter template guide and a 1/4" dia. router bit. (Part # for our router bit HIT-45RB4.)



HIT-45FB1

Router template designed to route openings for Flush Bolts International FB-1200 and Builders Brass 5024 flush bolts used on aluminum doors. Requires HIT-45 Clamp and router equipped with 3/8" outside diameter template guide and 1/4" dia. router bit. (Part # for our router bit HIT-45RB4.) Check local codes before installing manual flush bolts.

HIT-45RB4

Special single flute 1/4" diameter down shear router bit used to route openings in aluminum doors and frames.



**Not For Use On Steel
Doors Or Frames.**

HIT-45 MORTISE LOCK TEMPLATES



HIT-45AW3

Mortise Lock Template - Arrow Lock

Mortise lock template designed to prep wooden or metal doors to accept Arrow A or B Series mortise locks with thru-bolted escutcheon or rose trim. All hole locations are piloted with hardened drill bushings. Larger holes required for cylinder or spindles are located and drilled first with a 1/4" diameter hole, this serves as a pilot hole for the correct size hole saw. All hole locations on the template are identified for use. Requires HIT-45 Clamp with HIT-45MLI Locator.

HIT-45BE7

Best Mortise Lock Template

The HIT-45BE7 is used to prep doors for Best Lock Companies 30H Series mortise lock with M or N style trim. All hole locations are piloted with hardened drill bushings. Larger holes required for cylinders or spindles are located and drilled first with a 1/4" diameter hole, this serves as a pilot hole for the correct size hole saw. All hole locations on the template are identified for use. Requires HIT-45 Clamp with HIT-45MLI Locator.



HIT-45BH1

Baldwin Mortise Lock Template

Template to install Baldwin Mortise Lock Hardware. All four Baldwin backsets 1-1/2", 2", 2-1/2" and 2-3/4" can be prepped with this one template. Drill bushings are also provided for through bolt holes used for pull trim. Requires the use of HIT-45 clamp and HIT-45MLI Locator. All hole locations on this template are identified for use.



HIT-45CR1

Corbin/Russwin Mortise Lock Template

Mortise lock template tool used to prep doors to accept Corbin/Russwin ML2000 AND ML2200 Series lock. All hole locations are lined with hardened drill bushings. Larger holes required for cylinders or spindles are first located and drilled with a 1/4" diameter hole. This hole serves as a pilot for the correct size hole saw. All hole locations on the template are identified for use. Requires HIT-45 Clamp with HIT-45MLI Locator.



More Products In Development

HIT-45 MORTISE LOCK TEMPLATES



HIT-45FL4

Mortise Lock Template - Falcon Lock

Used to prep wood or metal doors when installing Falcon mortise locks with rose or cast/forged escutcheon trim. All hole locations are piloted with hardened drill bushings. Larger holes required for cylinders or spindles are located and drilled first with a 1/4" diameter hole, this serves as a pilot hole for the correct size hole saw. All hole locations on the template are identified for use. Requires HIT-45 Clamp with HIT-45ML1 Locator.

HIT-45MK5

Marks Mortise Lock Template

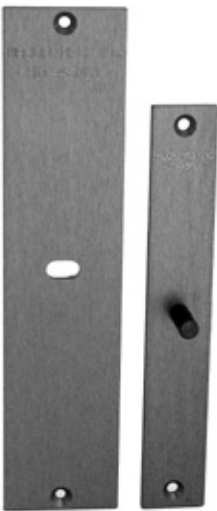
This template is used to prep doors to accept the following Marks Mortise locks with knob or lever handle rose trim; 5220, 5260, 5600, 5610, 5620, 5630, 5640, 5650, 5660, 5670, 5680, 5690, 5695, NYC126 and NYC131. Also installs the following plate trim with knobs or levers; 5300, 5370, 5380, 5390, 5395, 5700 and 5710. All hole locations are piloted with hardened drill bushings. Larger holes required for cylinders or spindles are located and drilled first with a 1/4" diameter hole, this serves as a pilot hole for the correct size hole saw. All hole locations on the template are identified for use. Requires HIT-45 Clamp with HIT-45ML1 Locator.



HIT-45ML1

Mortise Lock Positioning Fixture

Two piece positioning fixture used when installing mortise locks. Using this tool will put the HIT-45 Clamp in the correct location and will assure accurate installations every time. HIT-45ML1 can be used with any mortise template shown.



HIT-45PQ1

PDQ Revolution MR Series Mortise Lock Template

Template guide used to prep wooden or metal doors when installing PDQ Revolution MR Series mortise locks. All hole locations for rose or thru-bolted escutcheon trim located with hardened drill bushings. Letters on template identify hole locations and correspond with factory directions and template. Requires HIT-45 Clamp with HIT-45ML1 Locator.



More Products In Development

HIT-45 MORTISE LOCK TEMPLATES



HIT-45SA1

Sargent Mortise Lock Template

Prep wooden or metal doors for Sargent 8100 and 8200 (New) Series mortise lock with this template. All hole locations are lined with hardened drill bushings. Larger holes required for cylinders or spindles are first located and drilled with a 1/4" diameter hole. This hole serves as a pilot for the correct size hole saw. All hole locations on the template are identified for use. Requires HIT-45 Clamp with HIT-45MLI Locator.



HIT-45SL1

Schlage Mortise Lock Template

The HIT-45SL1 will make short work when installing Schlage L locks. All holes needed for cylinders, posts, spindles, etc., are located with hardened drill bushings. Larger holes are first located and drilled with a 1/4" diameter hole. This hole serves as a pilot for the correct size hole saw. All hole locations on the template are identified for use. Requires HIT-45 Clamp with HIT-45MLI Locator.

HIT-45UN2

Unican 710/850/950 Solitare Mortise Lock

Template guide for use with Unican 710/850/950 Series mortise locks. All hole locations for thru-bolts, wire runs, levers, etc. are located with hardened drill bushings. Larger holes used for mortise cylinders or spindles are first located with a 1/4" diameter hole. This serves as a pilot for the correct size hole saw after template is removed from door. All hole locations on template are identified for use. Requires HIT-45 Clamp with HIT-45MLI Locator.



HIT-45YA2

Yale Mortise Lock Template

Template guide for use with Yale 8800 series mortise locks. All hole locations are supplied for installing rose and both thru-bolted and surface mounted escutcheon trim. All drill bushing locations are identified with letters that correspond with the Yale factory directions and template. Requires HIT-45 Clamp with HIT-45MLI Locator.

More Products In Development

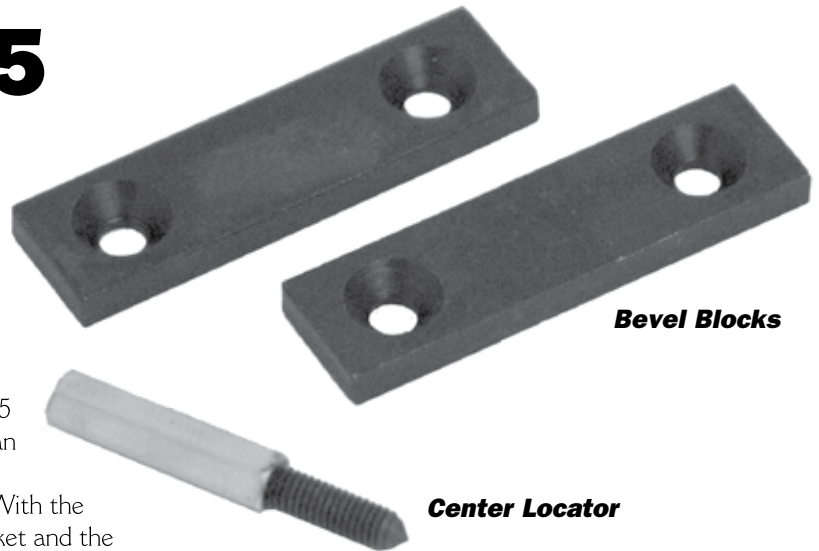
**The Following Templates Will Make Your
Mortise Lock Installation Faster And More Accurate.**

HIT-45FP5

**For Routing Mortise
Lock Faceplates
In Wooden Doors.**

By simply rotating the jaws of the HIT-45
Clamp 180 degrees and adding the HIT-45FP5
faceplate routing attachment, your HIT-45 can
be used to route the

1-1/4" X 8" faceplate on most mortise locks. With the
opening perfectly centered to the mortise pocket and the
faceplate bevel matching the door, the corners only need to be
squared with a chisel to be ready for use. This is an add on kit to be used with the HIT-45 Clamp and
HIT-45AR5 Template Guide. Requires the use of a router equipped with a 3/4" outside diameter template guide and
a 5/8" diameter bit OR a 5/8" outside diameter template guide and a 1/2" diameter bit.



Bevel Blocks

Center Locator

HIT-41SP6

**Used To Locate And Route ASA
Strikes In Wooden Jambs.**

Router template designed to route standard 4-7/8" ASA strike opening in wood
jambs to complete mortise lock installation. Scribe lines in template insures
proper alignment. Template mounts to door jamb with two self drilling screws
(supplied) through hardened bushings in template. Requires the use of a router
equipped with a 5/8" outside diameter template guide and a 1/2" flat bottom
router bit OR a 5/8" outside diameter template guide and a 1/2" diameter bit.
Machined from 6061-T6 aluminum.



HIT-66 **CLAMP SYSTEM**

The HIT-66 series clamp system shares many of the features as our other installation tools. The rubber lined clamp jaws have a door range from 1-1/4" to 2-7/8". The templates attach to the clamp at the top and bottom so the height of the clamp is determined by the template used. The clamp is machined from aluminum and anodized gray. The threaded clamp shaft is run through brass bushings for smooth opening and tightening.

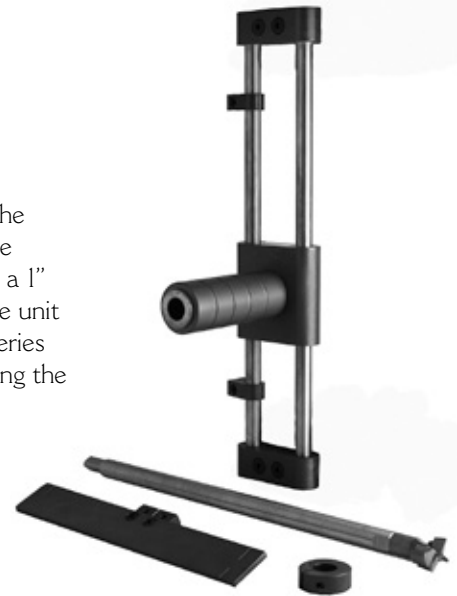


HIT-66-110 **TEMPLATE GUIDE FOR CYLINDRICAL LOCK INSTALLATION**

The HIT-66-110 template is designed to be used to install or retrofit cylindrical locks and levers on both wood and steel doors with the use of hole saws. The template system can be used for both 2-3/8" and 2-3/4" backset locks. 5/16" through bolt holes used for lever locks, can be drilled at 6:00 and 12:00 positions. The latch holes can be drilled with auger, brad point, multi spur bits and hole saws with the use of the supplied adapters. This template requires the HIT-66 clamp system. Template set includes both inside and outside templates guides latch adapters and retrofit alignment plates.

HIT-66-200 **LOCK MORTISER FOR USE WITH HIT-66 CLAMP SYSTEM**

The HIT-66-200 lock mortiser can quickly mortise a pocket for a mortise lock. The mortiser requires the use of our HIT-66 clamp system (sold separately) and can be used with most of our HIT-66 templates at the same time. The mortiser includes a 1" carbide tip mortise bit, mortise guide plate for alignment and stop collars. Once the unit is clamped to the door, it is a simple matter to set the height and depth stops. A series of holes can be drilled then the webs between the hole can be wasted away forming the pocket. Requires the HIT-66 clamp set and a 1/2" drill motor.



HIT66-200-100

Replacement carbide bit for the HIT-66-200 mortiser. 1" diameter



HIT-66-200-116

Replacement carbide bit for the HIT-66-200 mortiser. 1-1/16" diameter





HIT-66-210

TEMPLATE FOR ALARM LOCK DL3500 MORTISE LOCK

The HIT-66-210 template is designed to quickly and accurately install or retrofit the Alarm Lock DL3500 series mortise locks. All required holes are lined with hardened drill bushings, the larger holes for the mortise cylinder and lever spindle will also accept hole saws. The wire run hole is adjustable for both fire rated and non-fire rated doors. Plates are machined from aluminum and anodized. This template requires the HIT-66 clamp system that includes the HIT-4509 mortise alignment plate (HIT-66 clamp system sold separately). The template set includes both inside and outside template guides. All drill guide holes are identified for trouble free drilling. Door range for the HIT-66 clamp system is 1-1/4" to 2-7/8".

HIT-66-230

TEMPLATE FOR BEST 34H-37H MORTISE LOCK

The HIT-66-230 template is designed to quickly and accurately install or retrofit the Best series of mortise locks. All required holes are lined with hardened drill bushings, the larger holes for the mortise cylinder and lever spindle will also accept hole saws. The template will locate with drill guides holes for the M&N and J trim. All drill locations are identified for easy identification. Plates are machined from aluminum and anodized. This template requires the HIT-66 clamp system that includes the HIT-4509 mortise alignment plate (clamp system sold separately). The template set includes both inside and outside template guides. Door range for the HIT-66 clamp system is 1-1/4" to 2-7/8".



HIT-66-235

TEMPLATE FOR CORBIN / RUSSWIN MORTISE LOCKS

The HIT-66-235 template is designed to quickly and accurately install or retrofit the Corbin/Russwin ML2000 & ML2200 series mortise locks. All required holes are lined with hardened drill bushings, the larger holes for the mortise cylinder and lever spindle will also accept hole saws. Plates are machined from aluminum and anodized. The template set includes both inside and outside template guides. All drill guide holes are identified for trouble free drilling. Door range for the HIT-66 clamp system is 1-1/4" to 2-7/8". The HIT-66-235 will work on both wood or steel doors. This template requires the HIT-66 clamp system that includes the HIT-4509 mortise alignment plate (HIT-66 clamp system sold separately).



HIT-66-240

TEMPLATE FOR FALCON MA SERIES MORTISE LOCK

The HIT-66-240 template is designed to quickly and accurately install or retrofit the Falcon MA series mortise locks. All required holes are lined with hardened drill bushings, the larger holes for the mortise cylinder and lever spindle will also accept hole saws. Plates are machined from aluminum and anodized. This template requires the HIT-66 clamp system that includes the HIT-4509 mortise alignment plate (clamp system sold separately). The template set includes both inside and outside template guides. All drill guide holes are identified for trouble free drilling. Door range for the HIT-66 clamp system is 1-1/4" to 2-7/8". The HIT-66-240 will work on both wood or steel doors.



HIT-66-248

TEMPLATE FOR HAGER 3800 SERIES MORTISE LOCK

The HIT-66-248 template is designed to quickly and accurately install or retrofit the Hager 3800 series mortise locks. All required holes are lined with hardened drill bushings, the larger holes for the mortise cylinder and lever spindle will also accept hole saws. Plates are machined from aluminum and anodized. This template requires the HIT-66 clamp system that includes the HIT-4509 mortise alignment plate (HIT-66 clamp system sold separately). The template set includes both inside and outside template guides. All drill guide holes are identified for trouble free drilling. Door range for the HIT-66 clamp system is 1-1/4" to 2-7/8". The HIT-66-248 will work on both wood or steel doors.



HIT-66-250

TEMPLATE FOR KABA E-plex 5000 SERIES MORTISE LOCK

The HIT-66-250 template is designed to quickly and accurately install or retrofit KABA 5000 series mortise locks. All required holes are lined with hardened drill bushings, the larger holes for the mortise cylinder and lever spindle will also accept hole saws. Plates are machined from aluminum and anodized. This template requires the HIT-66 clamp system that includes the HIT-4509 mortise alignment plate (clamp system sold separately). The template set includes both inside and outside template guides. All drill guide holes are identified for trouble free drilling. Door range for the HIT-66 clamp system is 1-1/4" to 2-7/8". The HIT-66-250 will work on both wood or steel doors.



HIT-66-251

TEMPLATE FOR KABA 660/760/770/790 SERIES MORTISE LOCK

The HIT-66-251 template is designed to quickly and accurately install or retrofit doors to accept the KABA 660 and 700 series mortise locks. All required holes are lined with hardened drill bushings, the larger holes for the mortise cylinder and lever spindle will also accept hole saws. All drill locations are identified for easy identification. Plates are machined from aluminum and anodized. This template requires the HIT-66 clamp system that includes the HIT-4509 mortise alignment plate (clamp system sold separately). The template set includes both inside and outside template guides. Door range for the HIT-66 clamp system is 1-1/4" to 2-7/8". The HIT-66-251 can be used on both wood or steel doors.

HIT-66-255

TEMPLATE FOR MARKS SERIES MORTISE LOCK

The HIT-66-255 template is designed to quickly and accurately install or retrofit the Marks line of mortise locks. All required holes are lined with hardened drill bushings, the larger holes for the mortise cylinder and lever spindle will also accept hole saws. Plates are machined from aluminum and anodized. This template requires the HIT-66 clamp system that includes the HIT-4509 mortise alignment plate (clamp system sold separately). The template set includes both inside and outside template guides. All drill guide holes are identified for trouble free drilling. Door range for the HIT-66 clamp system is 1-1/4" to 2-7/8".



HIT-66-263

TEMPLATE FOR ONITY CT SERIES MORTISE LOCK

The HIT-66-263 template is designed to quickly and accurately install or retrofit doors to accept Onity CT series mortise locks. All required holes are lined with hardened drill bushings, the larger holes for the wire and lever spindle will accept hole saws. Plates are machined from aluminum and anodized. This template requires the HIT-66 clamp system that includes the HIT-4509 mortise alignment plate (clamp system sold separately). The template set includes both inside and outside template guides. All drill guide holes are identified for trouble free drilling. Door range for the HIT-66 clamp system is 1-1/4" to 2-7/8". The HIT-66-263 will work on both wood or steel doors.

HIT-66-264

TEMPLATE FOR ONITY HT SERIES MORTISE LOCK

The HIT-66-264 template is designed to quickly and accurately install or retrofit doors to accept Onity HT series mortise locks. All required holes are lined with hardened drill bushings, the larger holes for the wire and lever spindle will accept hole saws. Plates are machined from aluminum and anodized. This template requires the HIT-66 clamp system that includes the HIT-4509 mortise alignment plate (clamp system sold separately). The template set includes both inside and outside template guides. All drill guide holes are identified for trouble free drilling. Door range for the HIT-66 clamp system is 1-1/4" to 2-7/8". The HIT-66-264 will work on both wood or steel doors.



HIT-66-266

TEMPLATE FOR SAFLOK MT SERIES MORTISE LOCK

The HIT-66-266 template is designed to quickly and accurately install or retrofit doors to accept SAFLOK MT series mortise locks. All required holes are lined with hardened drill bushings, the larger holes for the key override and lever spindle will accept hole saws. Plates are machined from aluminum and anodized. This template requires the HIT-66 clamp system that includes the HIT-4509 mortise alignment plate (clamp system sold separately). The template set includes both inside and outside template guides. All drill guide holes are identified for trouble free drilling. Door range for the HIT-66 clamp system is 1-1/4" to 2-7/8". The HIT-66-266 will work on both wood or steel doors.

HIT-66-268

TEMPLATE FOR SALTO XS-4 CYLINDRICAL & MORTISE LOCK

The HIT-66-268 template is designed to quickly and accurately install or retrofit doors to accept Salto XS-4 series cylindrical and mortise locks. All required holes are lined with hardened drill bushings. All drill bushings are identified for use and will accept hole saws for use on both wood or metal doors. The HIT-66-268 unit is adjustable for both 2-3/8" and 2-3/4" backset. The template set includes both inside and outside template guides. This template requires the HIT-66 clamp system that includes the HIT-4509 mortise alignment plate (clamp system sold separately). Door range for the HIT-66 clamp system is 1-1/4" to 2-7/8". The HIT-66-268 will work on both wood or steel doors.





HIT-66-272
TEMPLATE FOR SARGENT MORTISE LOCK

The HIT-66-272 template is designed to quickly and accurately install or retrofit the Sargent series of mortise locks. All required holes are lined with hardened drill bushings, the larger holes for the mortise cylinder and lever spindle will also accept hole saws. The template drill guides for the AV Anti Vandal Trim, LW cast trim and WT wrought trim. All drill locations are identified for easy identification. Plates are machined from aluminum and hard anodized. This template requires the HIT-66 clamp system that includes the HIT-4509 mortise alignment plate (clamp system sold separately). The template set includes both inside and outside template guides. Door range for the HIT-66 clamp system is 1-1/4" to 2-7/8".

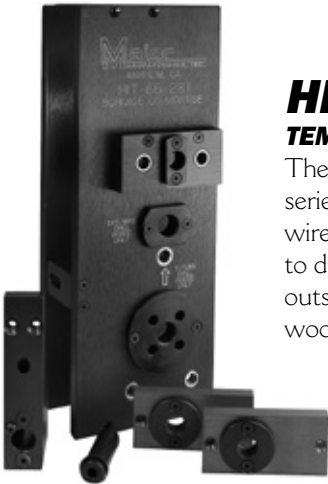
HIT-66-280
TEMPLATE FOR SCHLAGE AD MORTISE LOCK

The HIT-66-280 template is designed to quickly and accurately install or retrofit the Schlage AD series mortise locks. All required holes are lined with hardened drill bushings, the larger holes for wire runs will also accept hole saws. The angled hole for the DPS is also templated and is easy to drill. Plates are machined from aluminum and hard anodized. This template requires the HIT-66 clamp system that includes the HIT-4509 mortise alignment plate (sold separately). Template set includes both inside and outside templates guides and DPS wire run guide.



HIT-66-281
TEMPLATE FOR SCHLAGE CO MORTISE LOCK

The HIT-66-281 template is designed to quickly and accurately install or retrofit the Schlage CO series mortise locks. All required holes are lined with hardened drill bushings, the larger holes for wire runs will also accept hole saws. The angled hole for the DPS is also templated and is easy to drill. Plates are machined from aluminum and anodized. Template set includes both inside and outside templates guides and DPS wire run guide. Drill guides are supplied that will work on both wood or steel doors. This template requires the HIT-66 clamp system that is sold separately.



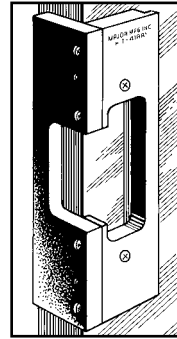
HIT-66-282
TEMPLATE FOR SCHLAGE L SERIES MORTISE LOCK

The HIT-66-282 template is designed to quickly and accurately install or retrofit the Schlage L series mortise locks. All required holes are lined with hardened drill bushings, the larger holes for the mortise cylinder and lever spindle will also accept hole saws. Plates are machined from aluminum and hard anodized. This template requires the HIT-66 clamp system that includes the HIT-4509 mortise alignment plate (clamp system sold separately). The template set includes both inside and outside template guides. All drill guide holes are identified for trouble free drilling. Door range for the HIT-66 clamp system is 1-1/4" to 2-7/8".

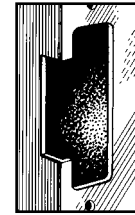


HIT-41 Series Templates For Installing Electric Strikes In Aluminum Doors And Frames

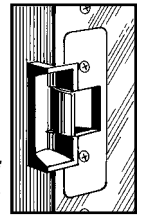
The HIT-41 Series will allow fast and accurate installation of electric strikes in aluminum doors and frames with the use of a router. After using scribe lines on the template to determine the proper alignment, fasten template to the door or frame with the two self drilling screws (supplied) and route out the opening. After removing the HIT-41 from the frame, the mounting holes left from the template are used to locate the strike mounting tabs supplied by the factory. HIT-41 Series will work on the frame of a single offset hung door, or the inactive leaf of a double door. Requires a router with a 3/8" outside diameter template guide and a 1/4" dia. router bit.



Fasten Template To Door Or Frame...



Route It Out...



Done In Half The Time!



HIT-41AR1

This template is used to install Adams Rite 7100 & 7400 series 4-7/8" ASA strike. Faceplate size 1 1/4" x 4-7/8". Requires a router with a 3/8" outside diameter template guide and a 1/4" diameter router bit. (Part # for our router bit HIT-45RB4.)

HIT-41AR2

Used to install Adams Rite 7130 & 7430 SERIES strike. The 7130 & 7430 strike is used opposite an Adams Rite latch when replacint a MS SERIES lock. The larger 6-7/8" face of the 7130 & 7430 will cover the strike opening left by the MS SERIES deadbolt. Requires a router with a 3/8" outside diameter guide and a 1/4" diameter router bit. (Part # for our router bit is HIT-45RB4.)



HIT-41AR3

ROUTER TEMPLATE FOR ADAMS RITE 7130 and 7430 SERIES ELECTRIC STRIKE

Used to install Adams Rite 7130 and 7430 series electric strike in a center hung 4" or 4-1/2" frame. The 7130 and 7430 strikes have a larger 1-1/4" x 6-7/8" faceplate and is used when an Adams Rite deadbolt lock is replaced by a dead latch. The longer 6-7/8" faceplate of the strike will cover the strike opening left by the Adams Rite deadbolt. This template is mounted to the frame by the use of tec point drill screws. When the screws are removed, the holes are used to locate the factory mounting brackets. Requires the use of a router equipped with a 3/8" outside diameter template guide and 1/4" diameter router bit.

DESIGNED FOR USE ON ALUMINUM FRAMES

HIT-41AR4

Router template used to install an Adams Rite 7100 & 7400 SERIES electric strike in a 4" or 4-1/2" center hung aluminum frame. Faceplate size is 1-1/4" x 4-7/8". Requires the use of a router equipped with a 3/8" outside diameter template guide and a 1/4" diameter router bit. (Part # for our router bit is HIT-45RB4.)

BE SURE JAMB WILL ACCEPT THE DEPTH OF THE STRIKE PRIOR TO ROUTING. GLASS POCKET IN CENTER HUNG FRAME MAY NOT HAVE ENOUGH CLEARANCE TO ALLOW INSTALLATION.



HIT-45RB4

Router Bit

Special single flute 1/4" dia. down shear router bit used to route openings in aluminum doors and frames.



Not For Use On Steel Doors Or Frames.

HIT-41FA1

Folger Adam 200 in an Offset Hung Frame

Router template for use with Folger Adam 201 series electric strike. Faceplate size is 1-1/4" x 4-7/8" with round corners. Mounts to door or frame with self-drilling screws (supplied). Requires a router with a 3/8" outside diameter template guide and a 1/4" diameter bit. (Part # for our router bit is HIT-45RB4). For use on offset hung aluminum doors and frames only.



HIT-41FA2

Folger Adam 200 in an Offset Hung Frame

Router template for use with Folger Adam 205 series electric strike. Faceplate size is 1-1/4" x 6-7/8" with round corners. This strike is used when removing a deadbolt lock and replacing it with a deadlatch. The larger faceplate covers the long opening left by the dead bolt strike. Mounts to door or frame with self-drilling screws (supplied). Requires a router with a 3/8" outside diameter template guide and a 1/4" diameter bit. (Part # for our router bit is HIT-45RB4). For use on offset hung aluminum doors and frames only.

For new product updates and the latest up to the minute information, please sign up for e-mail bulletins at www.majormfg.com.

HIT-41HS1

HES 5000, 5700, and RF5010-EA in an Offset Hung Frame

Router template for HES 5000, 5700, and RF5010-EA series template with the 501AL faceplate option. Faceplate size is 1-1/4" x 4-7/8" with round corners. Mounts to door or frame with self-drilling screws (supplied). Requires a router with a 3/8" outside diameter template guide and a 1/4" diameter bit. (Part # for our router bit is HIT-45RB4). For use on offset hung aluminum doors and frames only.



HIT-41HS4

HES 5000 & 5700 in a Center Hung Frame

Router template for HES 5000 and 5700 series with the 501AL faceplate option when installed on a 4" or 4-1/2" center hung door. Faceplate size is 1-1/4" x 4-7/8" with round corners. Mounts to door or frame with self-drilling screws (supplied). Requires a router with a 3/8" outside diameter template guide and a 1/4" diameter bit. (Part # for our router bit is HIT-45RB4). For use on center hung aluminum doors and frames only.



HIT-41HS2

HES 5000, 5700, and RF5010-EA in an Offset Hung Frame

Same as the HIT-41HS1 but for 5000, 5700, and RF5010-EA series strikes equipped with the 503 option. Faceplate size is 1-1/4" x 6-7/8" with round corners. This strike is used when removing a deadbolt lock and replacing it with a deadlatch. The larger faceplate covers the long opening left by the dead bolt strike. Mounts to door or frame with self-drilling screws (supplied). Requires a router with a 3/8" outside diameter template guide and a 1/4" diameter bit. (Part # for our router bit is HIT-45RB4). For use on offset hung aluminum doors and frames only.



HIT-41HS5

Electric Strike Template for HES 5200 and RF5210-EA Series x 501A Option 4-7/8" Faceplate.

Used to install HES 5200 and RF5210-EA x 501A series 4-7/8" ASA electric strikes. Faceplate size 1-1/4" x 4-7/8". Mounts to door or frame with self-drilling screws (supplied). Requires the use of a router equipped with a 3/8" outside diameter template guide and a 1/4" diameter router bit. For use on offset hung aluminum doors and frames only.



HIT-41HS3

HES 7001 in an Offset Hung Frame

Used to install HES 7001 series electric strikes. Faceplate size is 1-1/4" x 4-7/8". NOTE: depth of lip cut is deeper on 7000 series than 5000 and 5700 series. Templates are not interchangeable. Mounts to door or frame with self-drilling screws (supplied). Requires a router with a 3/8" outside diameter template guide and a 1/4" diameter bit (Part # for our router bit is HIT-45RB4). For use on offset hung aluminum doors and frames only.



HIT-41HS6

Electric Strike Template for HES 5200 and RF5210-EA Series x 503 Option with 6-7/8" Faceplate.

Used to install HES 5200 and RF5210-EA x 503 option electric strikes with a 1-1/4" x 6-7/8" faceplate with round corners. This strike is used when removing a deadbolt lock and replacing it with a deadlatch. The larger faceplate covers the long opening left by the deadbolt strike. Mounts to door or frame with self-drilling screws (supplied). Requires the use of a router equipped with a 3/8" outside diameter template guide and a 1/4" diameter router bit. For use on offset hung aluminum doors and frames.



HIT-45RB4

Router Bit

Special single flute 1/4" dia. down shear router bit used to route openings in aluminum doors and frames.



**Not For Use On Steel
Doors Or Frames.**

HIT-41RC6

Rutherford Strike installed in an Offset Hung Frame

Router template for Rutherford 4104, 5104 and 7104 electric strikes in aluminum frames. Will fit other Rutherford 4-7/8" strikes, check manufacturers catalog for strike dimensions. Requires the use of a router with a 3/8" outside diameter template guide and a 1/4" diameter router bit. (Part # for our router bit HIT-45RB4.)



HIT-41RC7

Electric Strike Template for Rutherford S6504 with 4-7/8" faceplate.

Used to install Rutherford S6500 series 4-7/8" ASA electric strikes. Faceplate size 1-1/4" x 4-7/8". Mounts to door or frame with self-drilling screws (supplied). Requires the use of a router equipped with a 3/8" outside diameter template guide and a 1/4" diameter router bit. For use on offset hung aluminum doors and frames only.



HIT-41RC8

Rutherford Strike installed in an Offset Hung Frame

Router template for Rutherford 4107, 5107 and 7107 electric strikes in aluminum frames. Will fit other Rutherford 6-7/8" strikes, check manufacturers catalog for strike dimensions. Requires the use of a router with a 3/8" outside diameter template guide and a 1/4" diameter router bit. (Part # for our router bit HIT-45RB4.)



HIT-41RC9

Electric Strike Template for Rutherford S6507 with 6-7/8" Faceplate.

Used to install Rutherford S6500 series electric strikes with a 1-1/4" x 6-7/8" faceplate with round corners. This strike is used when removing a deadbolt lock and replacing it with a deadlatch. The larger faceplate covers the long opening left by the deadbolt strike. Mounts to door or frame with self-drilling screws (supplied). Requires the use of a router equipped with a 3/8" outside diameter template guide and a 1/4" diameter router bit. For use on offset hung aluminum doors and frames.



HIT-41VD5

For Von Duprin 5100 Series Strike installed in an Offset Hung Frame

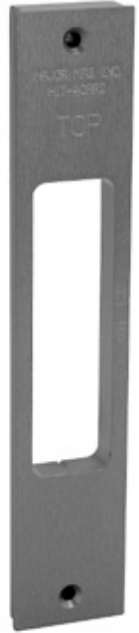
Used to install Von Duprin 5100 series ASA electric strike with a 1-1/4" x 4-7/8" faceplate. Requires the use of a router with a 3/8" outside diameter template guide and a 1/4" diameter router bit. (Part # for our router bit HIT-45RB4.)



HIT-40AR2

For Installing Adams Rite MS-4002 Armored Strikes

Every Adams Rite 1851 style dead bolt should have the extra security of a MS4002 Armored Strike installed in the door frame. Installation is easy with the HIT-40AR2 because it is designed to self center on a single center hung door frame. Two layout lines on the template will locate the proper placement of the strike for both standard and hook bolt locks. Simply fasten the HIT-40AR2 to the jamb with two self-drilling screws (supplied) then with your router, route out the opening. After removing the HIT-40AR2 from the door frame, the two screw mounting holes are drilled out to become the strike mounting holes. Install the face plate and the job is complete. Requires the use of a router with a 3/8" outside diameter template guide and a 1/4" diameter router bit. (Part # for our router bit HIT-45RB4.)



HIT-40AR3

For Installing Adams Rite 4502/4902 Strike

Route the opening required for Adams Rite 4502/4902 strikes used on 4711 locks. Fastens to door jamb with two self-drilling screws (supplied). Simply route opening, remove template, screw holes are used to locate factory mounting bracket, deburr and install. Indicator marks insure proper alignment. Can be used on both offset and center hung doors. Requires the use of a router equipped with a 3/8" outside diameter template guide and a 1/4" diameter router bit.



HIT-40AR4

For Installing Adams Rite 4501/4901 Strike

Same as HIT-40AR3 only for use with larger 4501/4901 strike by Adams Rite. Used when converting Adams Rite MS1851 deadlock to 4700 Series deadlatch. Requires the use of a router equipped with a 3/8" outside diameter template guide and a 1/4" diameter bit.



HIT-40AR5

Adams Rite MS Strike Opening

Route the strike opening for Adams Rite MS1851 dead locks with this template. Fastens to door jamb with two self-drilling screws (supplied). Alignment marks on template insures vertical and horizontal placement on jamb. Can be used on both offset and center hung doors. Requires the use of a router equipped with a 3/8" outside diameter template guide and a 1/4" diameter router bit. (Part # for our router bit HIT-45RB4.)



HIT-40AR6

Adams Rite Hook Bolt Strike Opening

Used to install the strike opening required for the Adams Rite Hook Bolt lock. This template will accurately route a factory designed opening as shown in the Adams Rite template book. Simply locate the vertical center line of the door jamb and also where the bolt makes contact with the frame, attach to the jamb with the included tec screws. All that is left to do is route out the opening. Template is machined from aluminum and anodized. Requires the use of a router equipped with a 3/8" outside diameter template guide and 1/4" diameter router bit and will work on both offset and center hung doors.



HIT-40AR7

For Adams Rite 4550 MS Deadbolt Lever

Now you can install an Adams Rite 4550 MS deadbolt lever in an existing cutout and be right on the money with no binding! To add a 4550 lever to an existing lock, simply remove the inside cylinder or t-turn and replace with a HIT-22 drill guide (supplied) and slide the HIT-40AR7 over the top of the locating pin. The four mounting holes and indicator are located with hardened drill bushings. Just drill all holes with a #21 drill, tap the four corner holes 10-32 re-drill the indicator holes to 7/8" and install!



HIT-40AR8

For Installing Adams Rite 4560 Series Lever and 4590 Series Paddle Handles

Installation of an Adams Rite paddle or lever handle is fast and accurate with the HIT-40AR8 installation template. To add a paddle or handle to an existing lock, simply remove the inside cylinder or T-turn and replace with a HIT-22 guide (supplied) and install the HIT-40AR8 onto the locating pin. Mounting holes are located through two hardened drill bushings in the template. After the holes are drilled, remove template, tap holes and install handle. When installing a paddle, remove lock, re-drill holes to 17/64", insert threaded posts and install lock and paddle. Installation is fast and accurate with no measuring required.





HIT-40MB3

Drill Guide For Major Manufacturing LMB-03, LMB-033 & LMB-034 Lock Mounting Brackets

Here is an easy way to locate and drill mounting holes for our steel mounting brackets used on aluminum doors. Simply hold this fixture into the existing faceplate cut out (1" x 6-7/8") and the drill guide will be indexed. Just drill one hole above and one below the lock using the hardened drill guides, counter sink the holes and install the mounting brackets with the supplied screws.

It is as easy and fast as that!

This guide will work on both narrow and deep style doors. A perfect way to securely mount locks when the factory screws in the back of the frame have been stripped out or the door style is too deep for bridges. Works with both radius and beveled doors.

HIT-40SL3 Drill Guide

For Schlage KC9000 Series King Cobra for Narrow Style Doors

Now you can install the KC9000 series King Cobra by Schlage in an existing cutout and be right on the money with no worries about binding or a miss drilled hole! To add a narrow style King Cobra to an existing lock, simply remove the outside cylinder and replace with a HIT-22 drill guide (supplied) slide the HIT-40SL3 over the top of the locating pin and square to the door. The three mounting holes are located with hardened drill bushings. Just drill the holes with a #21 drill, tap them 10-32 remove the HIT-22 guide and install!



— ROUTER RECOMMENDATION —

Aluminum door templates require a router equipped with 3/8" outside diameter template guide and a 1/4" diameter bit.

For aluminum door installation we recommend the use of a commercial router. For operator safety please choose a router that can be switched on/off while both hands always remain on the router handles. We highly recommend a commercial router

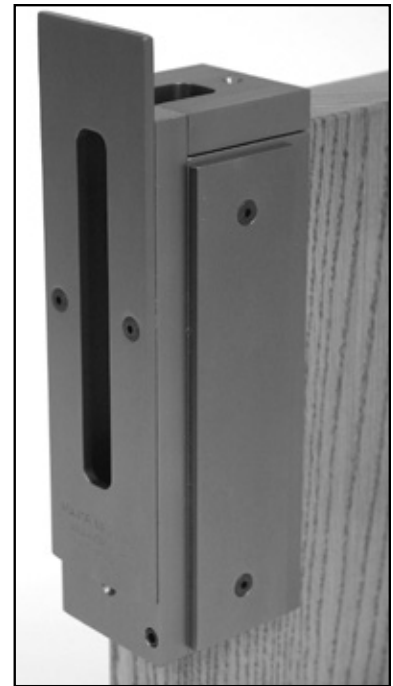
with a "D" type handle because this router can be more easily controlled and the on/off switch can be operated with your trigger finger. A router that requires you to take one hand off the handle to operate the on/off switch may be difficult to control and possibly dangerous.

HIT-42FB6 ROUTER GUIDE

For Ives 262 Flush Bolt 3/4" x 6" Faceplate Size

Installing Ives 262 flush bolts? Our HIT-42FB6 router guide will save hours of installation time and the results will be clean and professional. Our router guide uses a plunge type router that is both quick and easy to use. This is a two part guide. The main guide is used to cut the faceplate on the door, top or bottom and front. Attaching the second template will guide the router to cut the body mortise. Just square the corners with a chisel and the job is done! This template attaches with screws on the door top and front. A c-clamp can also be used instead of a screw for the front. This tool will work on 1-3/8" or 1-3/4" thick doors. It requires a plunge router with a 5/8" OD template guide and 1/2" diameter bit.

FOR WOOD DOOR USE ONLY.



HIT-42FB8 ROUTER GUIDE

Glynn-Johnson/Ives Automatic Flush Bolt

Here's a very accurate and fast way to install Glynn-Johnson FB61 or Ives FB41 series automatic flush bolts in wood doors. Our router guide uses a plunge type router and will turn a long job into one that is both quick and easy. This is a two part guide. The main guide is used to cut the faceplate on the door top or bottom and front. Attaching the second template will guide the router to cut the body mortise. Just square the corners with a chisel and the job is done! This template attaches with screws on the door top and front. A c-clamp can also be used instead of a screw for the front. This tool will work on 1-3/4", 2" or 2-1/4" thick doors. It requires a plunge router with a 5/8" OD template guide and 1/2" diameter bit.

FOR WOOD DOOR USE ONLY

HIT-45RB8 Router Bit

Router bit used to route openings in wood doors and jambs. Solid carbide, two flute up shear, 1/2" diameter with overall length of 4". Requires a router with a 1/2" collet. Solid carbide not guaranteed against breakage.



**Not For Use On Steel
Doors Or Frames.**

HIT-25

CABINET LOCK DRILL GUIDE



Supplied with five sizes of drill bushings. 1-1/4" installed in drill guide. 1-1/8", 1", 7/8" and 3/4" can be installed and held in with set screw.

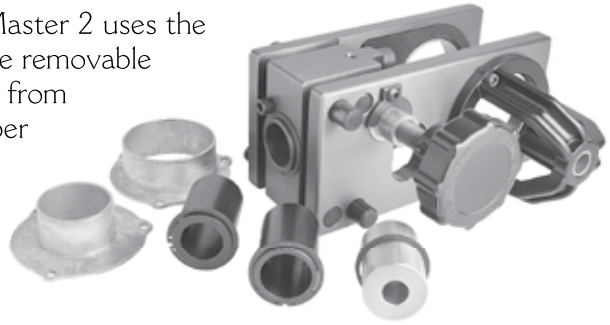
Our cabinet lock drill guide includes important features such as: rubber lined jaws to protect cabinet doors and give greater holding power. Five sizes of drill bushings for versatility and an adjustable stop for repeat installations on the same type of cabinet door. Will work on doors up to 1-1/2" thick and can locate the cylinder hole up to 2-5/8" from the edge of the door.

The HIT-25 drill guide includes five sizes of drill bushings: 3/4", 7/8", 1", 1-1/8" and 1-1/4". These bushings are designed to be used with clean cutting Forshner-type drill bits and are not compatible with hole saws, paddle or spade type bits.

For new product updates and the latest up to the minute information, please sign up for e-mail bulletins at www.majormfg.com.

HIT-50 "DRILLMASTER 2"

Like the larger HIT-44 DrillMaster, the HIT-50 DrillMaster 2 uses the same interchangeable guides for drilling latch holes. The removable Multi Spur guide tower will allow the use of hole saws from both sides of the guide as an option. The jaws are rubber padded for both a better grip and to protect the door finish. The HIT-50 has a door range from 1-3/8" to 2-5/8" with backset adjustable for both 2-3/8" and 2-3/4". Break out plates are provided for 1-1/2" and 2-1/8" hole sizes. The entire guide is machined from aluminum and anodized gray.



HIT-501 HIT-50 DRILLMASTER 2 KIT

A complete ready to go installation kit for standard door locks. Our newest kit contains the HIT-50 Drill Master 2 packed in a foam lined tool box. The HIT-50 has rubber lined jaws, adjustable for both 2-3/8" and 2-3/4" backsets and has a door range from 1-3/8" to 2-5/8". The HIT-50 can be used on both wood and steel doors and will accept guided bits as well as hole saws.

Kit includes the following:

- | | |
|--|---|
| 1 HIT-50 DRILL MASTER 2 | 1 HIT-50B9 1" SPADE BIT |
| 2 HIT-50BP2 BREAK OUT PLATES | 1 HIT-44LM3 LATCH MARKER 1" AND 1-1/8" |
| 1 1/8" HEX KEY | 1 HIT-44SM5 1-1/8" X 2-3/4" STRIKE MARKER |
| 1 5/32" HEX KEY | 1 HIT-44SM7 FULL LIP STRIKE MARKER |
| 1 5/16" HEX KEY | 1 HIT-44QR1 QUICK RELEASE |
| 1 HIT-44A1 BUSHING 1" DIAMETER | 1 HIT-44SL8 1" DIAMETER STRIKE LOCATOR |
| 1 HIT-44A3 BUSHING 7/8" DIAMETER | 1 INSTRUCTION BOOK |
| 1 HIT-44A4 BUSHING FOR 1/2" SHANK BITS | |
| 1 HIT-44B18 1-1/2" MULTI SPUR BIT | |
| 1 HIT-44B21 2-1/8" MULTI SPUR BIT | |

HIT-50BP2

Breakout collar/hole saw guide set for the HIT-50 drill guide. Set includes one 1-1/2" guide and one 2-1/8" guide plus mounting screws.



HIT-55

FOR 2-3/8", 2-3/4", 3-3/4" AND 5" BACKSET LOCKS

The HIT-55 Drill Master 2 uses the same interchangeable guides for drilling latch holes as the HIT-50. The removable Multi Spur guide tower will allow the use of hole saws from both sides of the guide as an option. The jaws are rubber padded for both a better grip and to protect the door finish. The HIT-55 has a door thickness range from 1-3/8" to 2-5/8" with backset adjustable for 2-3/8", 2-3/4", 3-3/4" and 5" Break out plates are provided for 1-1/2" and 2-1/8" hole sizes. The entire guide is machined from aluminum and anodized gray.



HIT-551

HIT-55 DRILLMASTER 2

A complete ready to go installation kit for standard door locks. Our newest kit contains the HIT-55 Drill Master 2 packed in a foam lined tool box. The HIT-55 has rubber lined jaws, adjustable for 2-3/8", 2-3/4", 3-3/4" and 5" backsets and has a door range from 1-3/8" to 2-5/8". The HIT-55 can be used on both wood and steel doors and will accept guided bits as well as hole saws.

Kit includes the following:

- | | |
|--|---|
| 1 HIT-55 DRILL MASTER 2 | 1 HIT-44B21 2-1/8" MULTI SPUR BIT |
| 2 HIT-55BP2 BREAK OUT PLATES | 1 HIT-55B12 1" SPADE BIT |
| 1 1/8" HEX KEY | 1 HIT-44LM3 LATCH MARKER 1" AND 1-1/8" |
| 1 5/32" HEX KEY | 1 HIT-44SM5 1-1/8" X 2-3/4" STRIKE MARKER |
| 1 5/16" HEX KEY | 1 HIT-44SM7 FULL LIP STRIKE MARKER |
| 1 HIT-44A1 BUSHING 1" DIAMETER | 1 HIT-44QR1 QUICK RELEASE |
| 1 HIT-44A3 BUSHING 7/8" DIAMETER | 1 HIT-44SL8 1" DIAMETER STRIKE LOCATOR |
| 1 HIT-44A4 BUSHING FOR 1/2" SHANK BITS | 2 3-3/4" BACKSET STUD |
| 1 HIT-44B18 1-1/2" MULTI SPUR BIT | 1 INSTRUCTION BOOK |



HIT-55BP2

Breakout collar/hole saw guide set for the HIT-55 drill guide. Set includes one 1-1/2" guide and one 2-1/8" guide plus mounting screws.

**CHECK WITH OUR CUSTOMER SERVICE DEPARTMENT
FOR THE AVAILIBLTY OF COMPLETE KITS**

**Revolutionary New Boring Jig
Designed For Pin-Point Accuracy!**

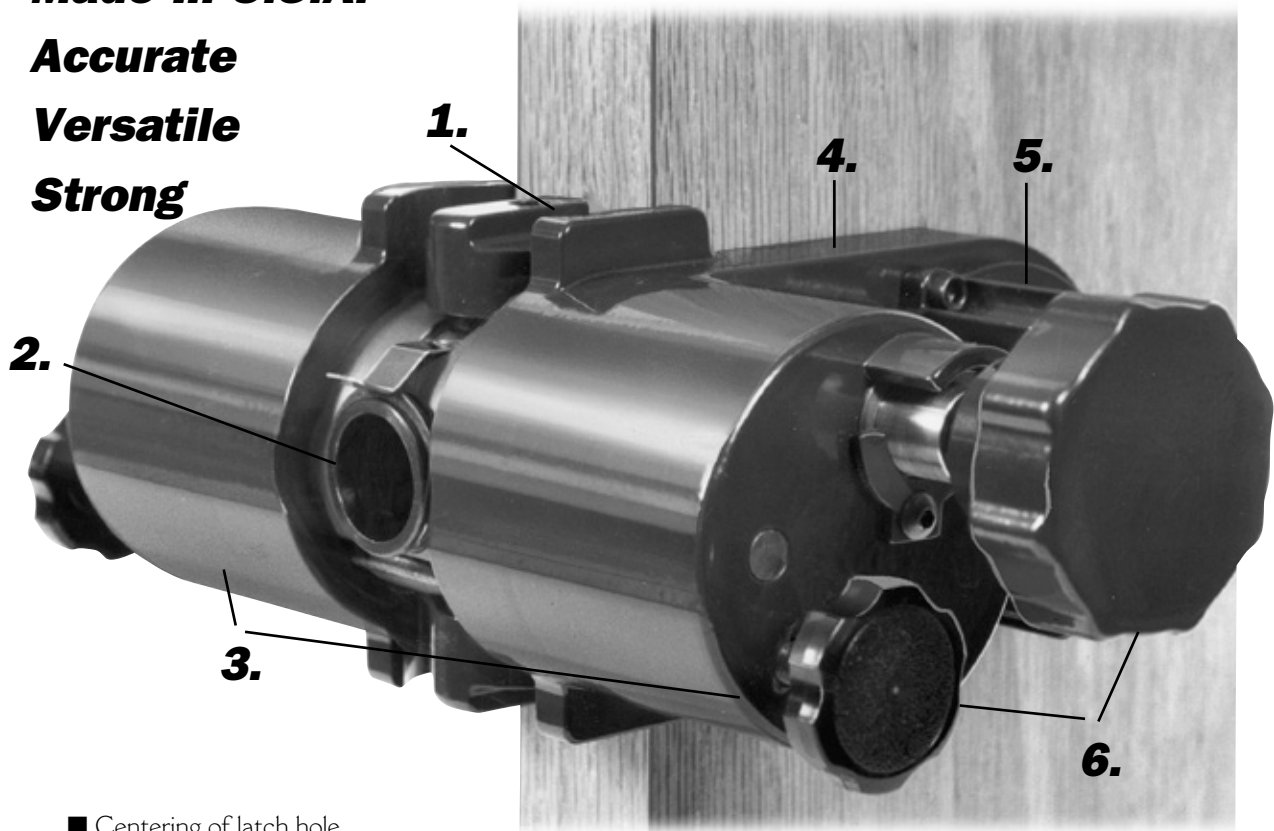
HIT-44 “DRILLMASTER”

Made In U.S.A.

Accurate

Versatile

Strong



- Centering of latch hole completely adjustable
- All bushings and parts serviceable if required
- Available as jig only or in kit form
- You can't miss with the accuracy of the **HIT-44 "DrillMaster!"**

- 1.** Back-set can be changed from 2-3/8" to 2-3/4" with a turn of a knob
- 2.** Interchangeable adapters allow the use of Auger Bits, Multi-Spur Bits or Hole Saws
- 3.** Solid construction using cast and machined aluminum. Door range 1-1/4" to 2-5/16"
- 4.** Jaws are soft-padded to protect door surface insuring a firm grip
- 5.** Multi-Spur Guide is removable to allow the use of Hole Saws for steel door installations
- 6.** Unique new design permits positive grip to door

HIT-44 “DRILLMASTER”



Parts Included With Basic Tool



HIT-44BP2

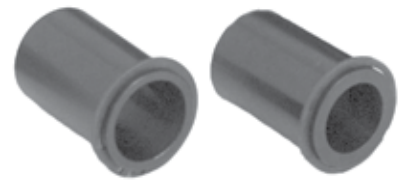
Break out collar set for multi-spur and hole saw use.
1-1/2" and 2-1/8" sizes

HIT-44A1

Adapter for use with 1" auger, or brad point bits and hole saws.

HIT-44A3

Adapter for use with 7/8" auger, or brad point bits and hole saws.



HIT-44A4

Brass adapter bushing for use with multi-spur bits having 1/2" diameter shafts.



HIT-444 DRILLMASTER KIT



HIT-44 DrillMaster is available in kit form. The parts listed are packed in a foam lined tool box.

Note: Complete descriptions of individual parts may be found elsewhere in catalog.

Qty HIT-444 Kit

1	HIT-44	DrillMaster
1	HIT-44B15	1" Brad Point Bit
1	HIT-44B21	2-1/8" Multi-Spur Bit
1	HIT-44LM3	3-In-1 Latch Marker
1	HIT-44SM5	Strike Marker 1-1/8" X 2-3/4"
1	HIT-44QR1	Quick Release Bit Adapter
1	HIT-44SL8	1" Strike Locator
1	HIT-440	Tool Box

May be ordered as HIT-44 DrillMaster in tool box only with no bits or tools.

Order: **Part No. HIT-441.**

HIT-445 DRILLMASTER KIT—DELUXE



HIT-44 Drill Master deluxe kit includes all parts found in the standard HIT-444 kit with the addition of 1-1/2" multi-spur bit, 7/8" brad point bit, 7/8" strike locator, and full lip strike marker.

Note: Complete descriptions of individual parts may be found elsewhere in catalog.

Qty HIT-445 Kit — Deluxe

1	HIT-44	Drill Master
1	HIT-44B11	7/8" Brad Point Bit
1	HIT-44B15	1" Brad Point Bit
1	HIT-44B18	1-1/2" Multi Spur Bit
1	HIT-44B21	2-1/8" Multi Spur Bit
1	HIT-44LM3	3-In-1 Latch Marker
1	HIT-44SM5	Strike Marker 1-1/8" X 2-3/4"
1	HIT-44SM7	Full Lip Strike Marker
1	HIT-44QR1	Quick Release Bit Adapter
1	HIT-44SL7	7/8" Strike Locator
1	HIT-44SL8	1" Strike Locator
1	HIT-440	Tool Box

May be ordered as HIT-44 Drill Master
in tool box only with no bits or tools.

Order: **Part No. HIT-441.**

MULTI-SPUR BITS



**For Use On Wood Doors
And Jambs Only.**

- HIT-44B10** 7/8" Multi Spur Bit With Quick Release Hex Drive 7-1/2" OAL
- HIT-44B14** 1" Multi Spur Bit With Quick Release Hex Drive 7-1/2" OAL
- HIT-44B18** 1-1/2" Multi Spur Bit With Quick Release Hex Drive 7-1/2" OAL
- HIT-44B19** 1-1/2" Multi Spur Bit With Quick Release Hex Drive & Carbide Tip 7" OAL
- HIT-44B21** 2-1/8" Multi Spur Bit With Quick Release Hex Drive 7-1/2" OAL
- HIT-44B22** 2-1/8" Multi Spur Bit With Quick Release Hex Drive & Carbide Tip 7" OAL



**For Use On Wood Doors
And Jambs Only.**

- HIT-44B11** 7/8" Brad Point Bit With Quick Release Hex Drive 8" OAL Twist Length 6"
- HIT-44B15** 1" Brad Point Bit With Quick Release Hex Drive 8" OAL Twist Length 6"



For Use On Wood Doors And Jambs Only.

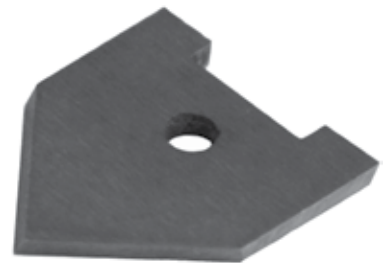
- HIT-44B17** 1" Diameter 2 Wing Carbide Tip Boring Bit for Drilling Latch Holes.
NOT RECOMMENDED FOR FREE HAND USE.



- HIT-50B9** 1" Diameter Spade Type Bit With Overall Length of 9" With a 1/2" Shaft Diameter and 3/8" Hex End. Will Work With Both HIT-44 and HIT-50 Drill Guides.



- HIT-55B14** 1" Diameter Spade Type Bit With Overall Length of 14" With a 1/2" Shaft Diameter and 3/8" Hex End. Will Work With Both HIT-44 and HIT-50 Drill Guides.



- HIT-50B1** 1" Replacement Blade For HIT-50B9 and HIT-50B14

HIT-44QR1 QUICK RELEASE BIT ADAPTER

Tightens into the chuck of drill motor and allows fast bit changes with any of our multi-spur or brad point bits.



REPLACEMENT DRILL BITS

HIT-38MB1
1" Mortise Bit



HIT-38MB2
7/8" Mortise Bit



HIT-38MB3
3/4" Mortise Bit



Our drill bits are specially modified for mortising use. Don't get stuck on the job without them. Always carry spare bits whenever you're on the job.

STRIKE LOCATOR

Strike Locating Tool For Use on Steel Door Installations - see page 33.



HIT-44SL7

7/8" Dia. Strike Locator With Replacement Tip

HIT-44SL8

1" Dia. Strike Locator With Replacement Tip

HIT-44SL9

Replacement Tip Only For HIT-44SL7 & 8

HIT-24 STEEL DOOR STRIKE LOCATOR

After installing a lock in a steel door, you need an easy way to locate the strike plate. Just install our HIT-24 locator in the latch hole and use the 1/4" transfer tool to mark the exact location. This locator makes the job accurate, fast and easy. An ideal companion tool to our Pit Bull Latch Forming Tool.



HIT-44LM3 LATCH MARKING TOOL

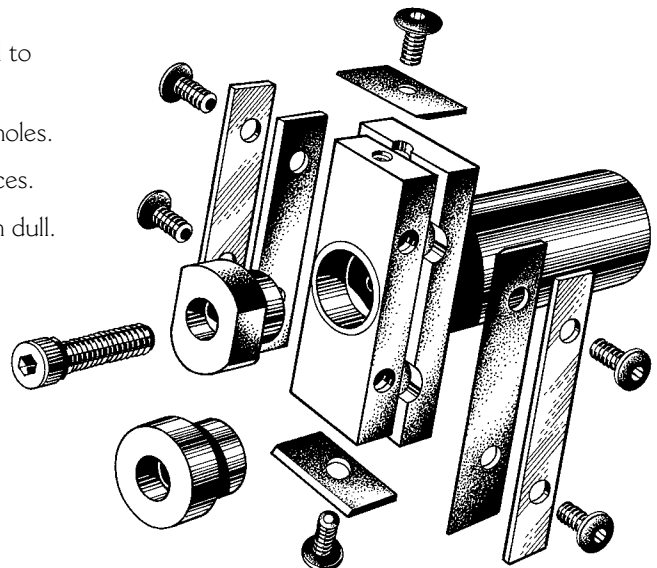
Latch Forming Tool For Use on Steel Door Installations - see page 33.

A first from Major Manufacturing, the only latch marking tool to offer the following features.

- 1.** Interchangeable pilots for both 7/8" and 1" diameter latch holes.
- 2.** Adjustable blades for 1" and 1-1/8" wide by 2-1/4" latch faces.
- 3.** Removable blades that may be replaced or sharpened when dull.

HIT-44LM3 Latch Marking Tool

HIT-44LM4 Replacement Blade Set for HIT-44LM3



HIT-44SM5 STRIKE MARKING TOOL

Strike marking tool for 1-1/8" X 2-3/4" deadbolt and T-strikes. Features 7/8" and 1" interchangeable pilots. Blades may be removed to be sharpened or replaced. Body and handle machined from steel. **P/N for replacement blade set HIT-44SM6.**



HIT-44SM7 STRIKE MARKING TOOL

Strike marking tool for full lip strikes 2-1/4" tall. Features 7/8" and 1" interchangeable pilots. Blades may be removed to be sharpened or replaced. Body and handle machined from steel. **P/N for replacement blade set HIT-44SM8.**



MDLT-1 "PIT BULL" LATCH FORMING TOOL FOR LOCK INSTALLATIONS ON STANDARD 18 GAUGE STEEL DOORS

The Pit Bull tool is used to form a rectangular pocket in the edge of a hollow metal door. Application of the tool is almost effortless — simply drill the latch and cross bore holes and install the Pit Bull. Using a few turns with a wrench will squeeze an indentation into the door's edge — the result is a pocket that will accept both 1" and 1-1/8" wide by 2-1/4" tall latches.



**WILL NOT WORK ON
CENTER SEAM DOORS**

SELF CENTERING DRILL GUIDES



Use our self centering drill guides when drilling pilot holes for mounting screws used in mortise lock bodies, latch faces, hinges, etc. Because the hole in the hardware is larger than the drill bit used to make the pilot hole for the screw, it is hard to drill the hole in the exact center. An off center pilot hole can cause mis-aligned hardware and possible binding or crooked looking installation.

- Each Drill Guide has a standard 1/4" hex drive shank which snaps into the quick change chuck for fast positive non-slip control.
- The hardened steel bushing aligns the drill bit in counter sunk mounting hole for perfect alignment.
- The knurled barrel unscrews for easy cleaning.
- Uses standard high speed drill bits for long life and easy replacement.

Center Drills

Part No.	Drill Bit Size	Screw Size
MCD-5	5/64"	#2 & #3
MCD-7	7/64"	#5 & #6
MCD-9	9/64"	#8, #9 & #10
MCD-11	11/64"	#12
MCD-13	13/64"	#14

DRILL BIT ADAPTERS

Adapts standard drill bits listed to 1/4" hex shank for fast bit changes. Just add your standard twist drill to the adapter for easy use. Each adapter will accept the fractional or number size listed.



Drill Bit Adapters Holds The Following Sizes Listed

- Each adapter has a spring loaded steel collet that flexes to grip drill bits of similar size, including numbered, fractional and metric. Bit can be changed out in seconds with a wrench.
- Each bit adapter has a standard 1/4" hex drive that snaps into our quick change chuck.
- Replace only the drill bit when dull.

Part No.	Fractional	Number Size
MDA-116	1/16"	#52-54
MDA-332	3/32"	#40-44
MDA-18	1/8"	#30-32
MDA-532	5/32"	#20-26
MDA-316	3/16"	#11-15
MDA-732	7/32"	#2-4
MDA-14	1/4"	Letter C To E

MQC-2 QUICK CHANGE ADAPTER

Quick change chuck for fast bit changes. Works with above bits and all standard 1/4" hex drive power bits.



DOOR HANDLING TOOLS

DT-100 DOOR TOTE

Save time, money and accidents by moving doors with the use of our Door Tote. Door Tote will accommodate doors up to 1-3/4". May also be used as a horizontal door stand. Equipped with pneumatic wheels for easy mobility, carpet lined to protect door and handle dis-assemblies into three pieces for storage and transportation.



DT-200 DOOR TOTE

Save time, money and accidents by moving doors with the use of our Door Tote. Door Tote will accommodate doors up to 1-3/4". Equipped with pneumatic wheels for easy mobility, carpet lined to protect door. Small but mighty, will easily store in a service vehicle.

DL-150 DOOR LIFTER

Removing a door from its frame has never been easier when using our DL-150 Door Lifter! In just a few easy steps, the door is lifted & swiveled out of the way on a ball-bearing base. Say goodbye to the days of using crossed chisels, screwdrivers or anything else that wasn't designed specifically for this sort of task. The DL-150 has a textured foot pedal to prevent slipping & a cushioned base to protect the floor surface. American-made, the DL-150 is built to last!



Major Manufacturing products are
available from your local distributor.

**For new product updates and the latest up to the minute information,
please sign up for e-mail bulletins at www.majormfg.com.**

Please contact us for more information.

Telephone: (714) 772-5202

Fax: (714) 772-2302

e-mail: mail@majormfg.com

www.majormfg.com



1825 Via Burton • Anaheim, CA 92806