



L Series

Grade 1 mortise locks

- Mechanical
- Wired electrified
- Wireless electronic
- Multi-point



Mortise lock comparison

L mechanical

**Applications**

The Schlage L Series has long been the benchmark for mortise locks. Beyond strength and security – it offers tremendous flexibility to allow it to meet the needs of most every application.

The ability to suite across electronic, tubular, exit trim, and multi-point locks allows the Schlage L Series mortise lock to integrate seamlessly into any environment.

Key features

- Exceeds ANSI/BHMA Grade 1 operational and security standards
- Expansive list of configurations and options, including retrofit indicators
- 50 standard mechanical functions, custom functions also offered
- “The Original” universal lock case allows creation of 10 functions from a single lock body
- 14 finishes and 33 levers, two knobs, five roses and three escutcheon designs
- Supports standard, SFIC and FSIC cylinder formats
- Multiple key systems available – open, patented, restricted, geographic exclusive, UL 437

L wired electrified

**Applications**

The wired electrified L Series is ideal for new construction and high traffic areas where hardwired power ensures continuous operation and where electrified door prep, hinges and wiring can easily be incorporated into the building.

The electrified L Series is regularly used as part of an access control system for high security areas, or independently in areas that require a remote access switch.

Key features

All mechanical features plus:

- Auto-detect 12/24 VDC
- Selectable EL/EU
- 10 electrified functions
- Advanced features: RX, DPS, latchbolt monitor and deadbolt monitor for application flexibility
- Leading energy efficiency that eliminates “hot levers”
- Advanced motor-driven electrified functions – quieter, smoother, more secure operation

LE wireless electronic

**Applications**

The Schlage LE wireless mortise lock with ENGAGE™ technology is designed to affordably extend electronic access control deeper into the building beyond traditional perimeter and high security openings.

The LE is ideal for commercial real estate, K-12, higher education, assisted living, medical offices, or multi-family applications. Facilities can benefit from the enhanced security, efficiency, and convenience of upgrading to electronic credentials.

Key features

All mechanical features' plus:

- Six functions with LED indicator, deadbolt, and interior pushbutton options
- Sectional and escutcheon trim options
- 31 levers, 2 knobs and 9 finishes
- Integrated multi-technology card reader, door position sensor (DPS) and request to exit (RX)
- Built-in Bluetooth® enables wireless configuration from smart phones/tablets
- Built-in Wi-Fi® enables automatic daily updates sent directly from host software
- Capable of networked real-time communication with the ENGAGE Gateway and software alliances
- Up to 2 years of battery life

Mortise lock comparison

L400 mechanical



Applications

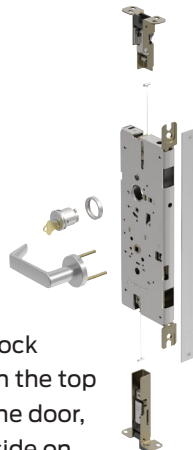
L400 Series locks are designed for use as primary locks where no latching is required, such as restrooms and small doors to utility spaces.

It also offers optimum security when used as an auxiliary lock in other applications.

Key features

- Six available functions
- 12 finishes
- 1" (25 mm) stainless steel throw deadbolt
- Deeper retainer groove in cylinder shell increases security against wrenching and pullout; all cylinders backward compatible
- 6-pin Everest® 29 cylinder with patented keys standard
- Steel case and parts are corrosion resistant

LM9200 multi-point



Applications

The Schlage LM9200 series lock utilizes latches in the top and bottom of the door, rather than the side on single or double sets of doors.

Compatible with wood or hollow metal doors, the LM9200 Series is ideal for conference rooms, corridors, office suites, elevator lobbies, and openings where flush bolts and coordinators are not desired.

Key features

- Concealed vertical cables provide simple installation and reliable performance
- Compatible with sectional and escutcheon trim; does not require "backer plates" or metal wraps for fire protection
- Fire-rated for up to 60 minutes for wood door applications; 90 minute fire rating for hollow metal door applications
- 33 lever designs
- 13 functions (mechanical and electrified)
- Available without the bottom latch for single point latching

LM9300 multi-point



Applications

The LM9300 Series is part of a three-point locking system designed for tornado, hurricane or high security applications, providing superior protection with familiar operation.

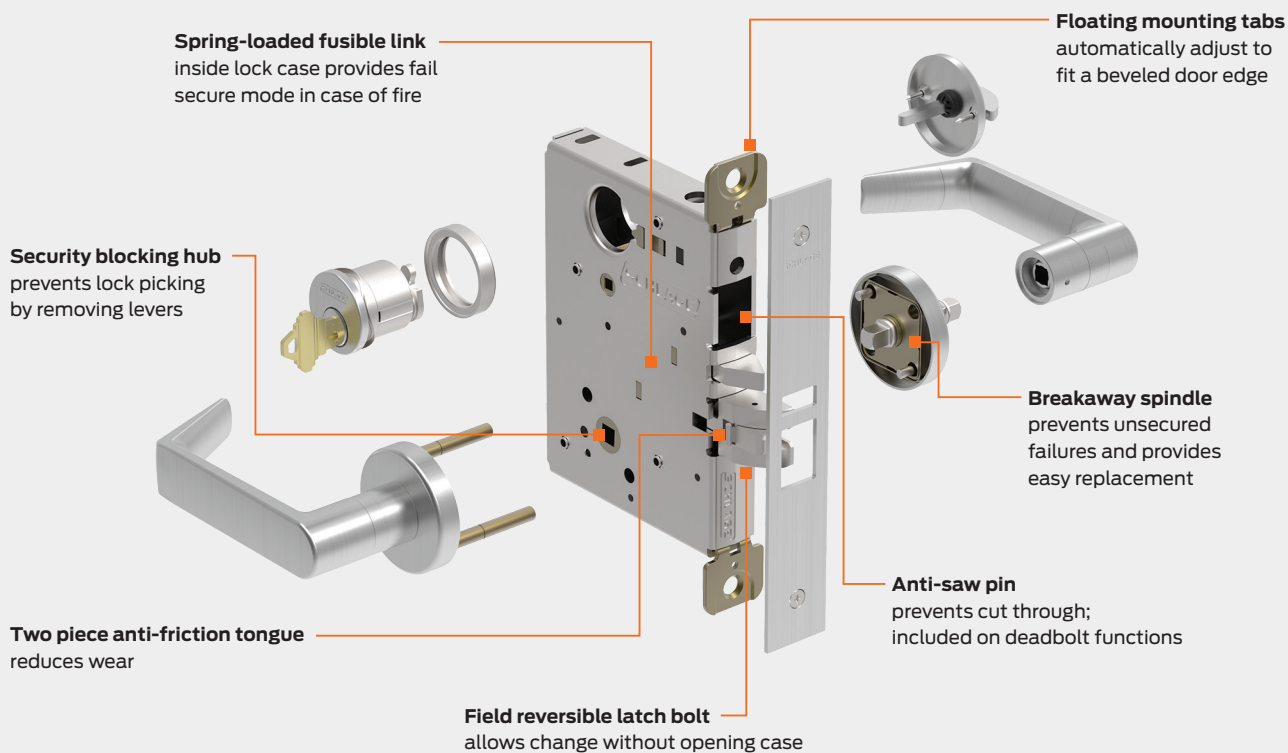
Latches at the top, side and bottom of the door provide protection from high wind speeds and 15-lb. projectile impacts up to 100 mph when paired with a Steelcraft Paladin tornado-resistant door.

Key features

- All three latches engage when the door is shut and retract simply by rotating the lever
- Compatible with sectional and escutcheon trim
- 33 lever designs
- Six available functions
- Complies with FEMA 361 and ICC500 tornado shelter guidelines and Florida Building Code Enhanced Protection Area (EHPA) standard when paired with appropriate Steelcraft doors
- Vertical rods ship pre-aligned and pre-installed with Steelcraft doors, enabling quick and simple installation

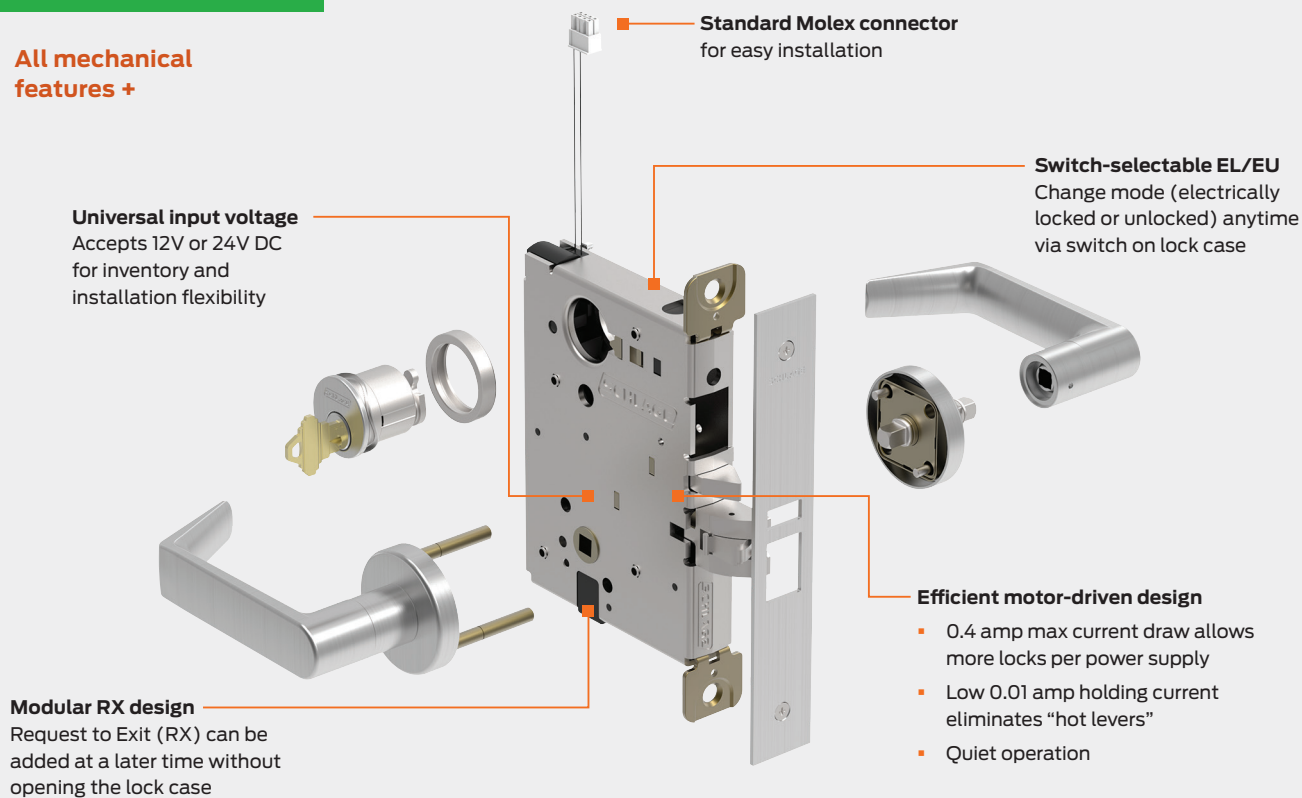
A detailed look...

L mechanical



L wired electrified

All mechanical features +



LE wireless electronic

Most mechanical features +

Integrated multi-technology reader
reads both 125 kHz proximity and 13.56 MHz smart credentials

Built-in No-Tour capability
eliminates the need to visit the locks by using smart credentials to update access rights

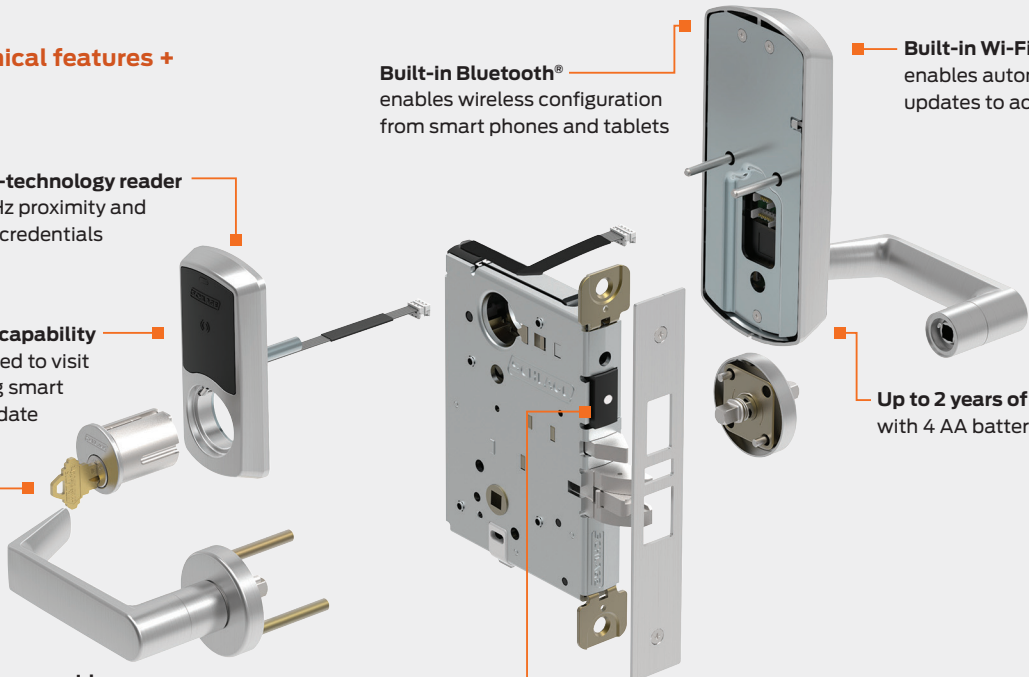
Mechanical key override
compatible with most popular key systems

Built-in Bluetooth®
enables wireless configuration from smart phones and tablets

Built-in Wi-Fi
enables automatic updates to access rights

Up to 2 years of battery life
with 4 AA batteries

Integrated door position switch
requires no additional prep on MS and MB chassis options



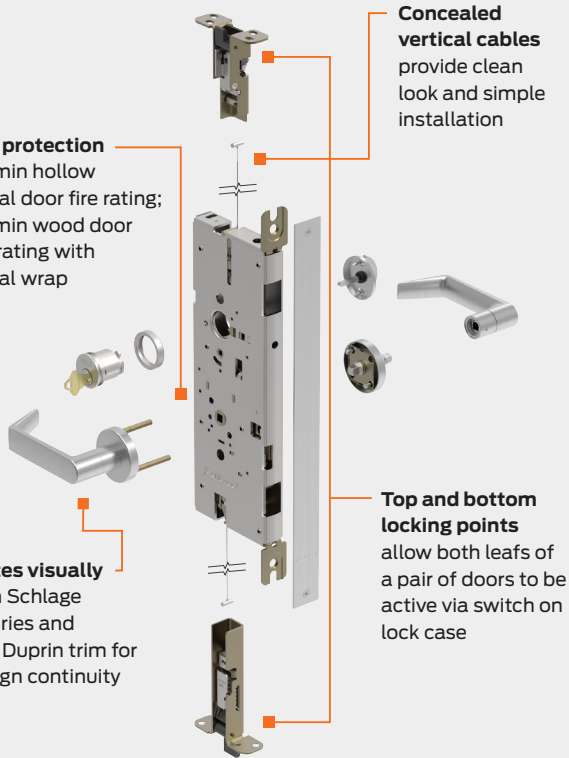
LM9200 multi-point

Fire protection
90 min hollow metal door fire rating; 60 min wood door fire rating with metal wrap

Concealed vertical cables
provide clean look and simple installation

Top and bottom locking points
allow both leaves of a pair of doors to be active via switch on lock case

Suites visually
with Schlage L Series and Von Duprin trim for design continuity



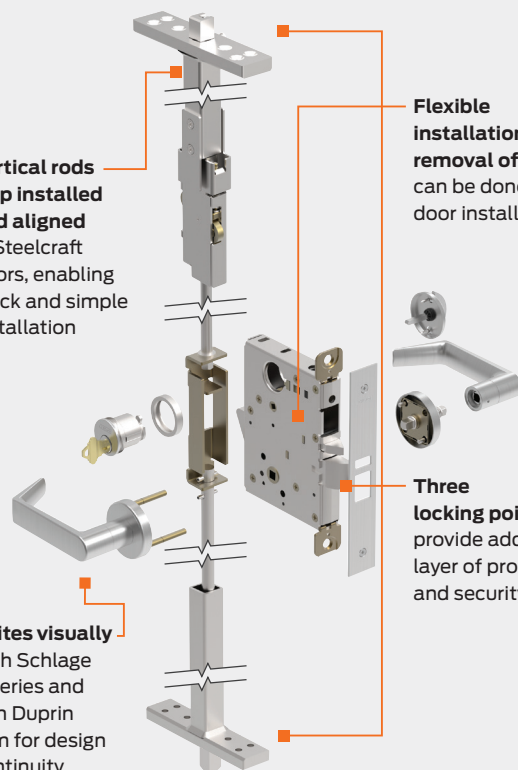
LM9300 multi-point

Vertical rods ship installed and aligned
in Steelcraft doors, enabling quick and simple installation

Flexible installation and removal of lock
can be done with door installed

Three locking points
provide added layer of protection and security

Suites visually
with Schlage L Series and Von Duprin trim for design continuity



Trim and special accessories

Thumbturns and indicators

Choose from these variations of thumbturn locks that help you meet the demands of specialized projects.

Thumbturns



Standard turn
09-509



ADA turn
09-509 x L583-363
Available with all thumbturn-function L Series locks except L9463 and L463



Coin turn
L283-124
For lock functions L9044 and L9444 with rose trim.



Emergency button
K510-330
For lock functions L9040 and L9440



Ligature resistant turn
09-029



Cylinder turn
09-90x
For L463 and L9463 classroom function deadlocks

Indicators

The 180 degree visibility indicator offers unparalleled visibility and flexibility. The unique features of the indicator make it ideally suited for classroom security applications as well as traditional occupied/vacant applications.

- 2" x 1/2" display for easy viewing at a distance
- 180° window for visibility at any angle
- High-mount placement for quick assessment
- High contrast colors for ease of reading
- Available for over 30 functions, inside or outside of door (see Functions section for availability)
- Retrofit kit allows indicator upgrades to already installed L Series mortise locks
- Indicator text available in English or French

N escutcheon indicators



Cylinder



Thumbturn



Cointurn



Emergency key

Sectional indicators



Cylinder



Thumbturn



Cointurn



Emergency key

| | | | |
|----------|----------|----------------|----------|
| LOCKED | OCCUPIED | DO NOT DISTURB | LOCKED |
| UNLOCKED | VACANT | | UNLOCKED |

| | | | | |
|--------------|----------|----------|----------|----------|
| Inside trim | L283-711 | L283-712 | L283-713 | L283-714 |
| Outside trim | L283-721 | L283-722 | L283-723 | L283-724 |

Legacy indicator



Hotel occupancy indicator
09-611

For lock function L9486P, used with A or B roses on section trim. Three available messages: "OCCUPIED", "DO NOT DISTURB" or "LOCKED".