



- Mechanical Pushbutton
- Single Access Code
- Exit Trim
- Lever

### Features

<b>Access Control:</b>	Mechanical pushbutton lock eliminates problems and costs associated with issuing, controlling, and collecting keys and cards. Provides exterior access by combination, while allowing free egress with Exit Device (not supplied).
<b>No Battery:</b>	Fully mechanical lock eliminates the material and labor expense of battery replacements
<b>Locking Device Options:</b>	<u>Rim Exit Device:</u> Compatible with most leading brands of Exit Devices—see list below (Exit Device and mounting hardware not included)
<b>Exit Device Compatibility:</b>	<b>For the most accurate listing of compatible Exit Devices, see this page on our website</b>

Black & Decker (K-12) QED111/112	Von Duprin 22, 88 NL, 98, 99, 900, 2227,
Cal Royal 5000/F5000	9827, 9847, 9847 WDC, 9848, 9857, 9927,
Detex Advantex Series 10, 20, 21,40, 50, 51	9947, 9947, WDC, 9948, 9957, 90027,
Detex 10/F10 Series	90047 WDC, 90057
Dorex 8500R/8500F	
Dorex 9500PR/9500FR	
Dorma 9100, 9300, 9400	
Monarch XX-R*, FXX-R, 18-R*,	
F-18-R*, 17-R, F-17-R, XX-V*, F-XX-V*,	
18-V*, F-18-V*, F-XX-V*, 11-R*, 11-V*	

\*(requires special K-Hub Adapter Kit)

- **Cannot be used with mortise design or most vertical rod Exit Devices**

**ATTENTION: Compatibility is subject to change if modifications are made by Exit Device manufacturers without Kaba Access Control's knowledge**

<b>Number of Codes:</b>	Single access code—one easy-to-manage code for all users
<b>Handing:</b>	Factory-handed; not field reversible
<b>Key Override (Optional):</b>	Small format interchangeable cores, large format removable cores
<b>Operation Modes:</b>	Single credential access Exit Device may be dogged without affecting the LP1000
<b>Economical:</b>	A cost effective access control solution

### Mechanical Features

<b>Construction:</b>	Heavy-duty cast front housing; heavy-duty mounting plate; fixed ADA-compliant lever
<b>Numeric Keypad:</b>	Vandal resistant, solid metal pushbuttons
<b>Handing:</b>	Factory-handed; not field reversible
<b>Standard Finishes:</b>	Antique Brass 05 (609), Satin Chrome 26D (626)
<b>Optional Finishes:</b>	Bright Chrome 026 (625), Bright Brass 03 (605)

## LP1000 Series

### Mechanical Features (cont.)

<b>Latch &amp; Exit Device:</b>	Not supplied (see list for compatibility on prior page)
<b>Strike:</b>	Supplied with Exit Device
<b>Exit Device Hub Rotation:</b>	Up to 60°, counterclockwise for left hand and clockwise for right hand
<b>Tailpiece:</b>	2¾" (70 mm) tailpiece for Exit Device operation from outside Optional 5" (125 mm) tailpiece for freezer doors (purchased separately)
<b>Minimum Stile Recommended:</b>	5" (127 mm)
<b>Weight:</b>	8 lbs. (3.6 kg)

### Key Override

<b>Interchangeable Cores:</b>	Small format—Best and equivalents (6 or 7-pin length)
<b>Removable Cores:</b>	Large format—Medeco/ASSA/Yale/Abloy (5 or 6-pin length), Corbin Russwin, Schlage, and Sargent

### Installation

<b>Door Preparation:</b>	Recessed through bolts may be required for Exit Device preparation
<b>Door Thickness:</b>	1⅞" (35 mm) to 2¼" (57 mm) Optional 5" (127 mm) tailpiece (purchased separately)
<b>Items Supplied Include:</b>	Installation manual, full-scale template, combination change tool, and required lock installation hardware only

### Certification and Testing

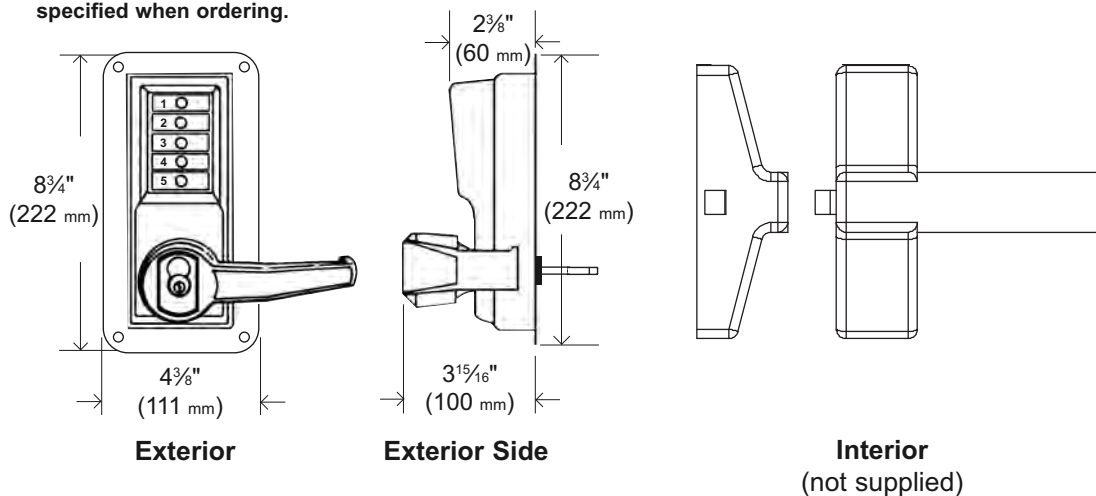
<b>Accessibility Standard:</b>	Americans with Disabilities Act (ADA)
<b>Durability:</b>	Weather resistant
<b>Fire Rating:</b>	3-hour UL/ULC fire rating for "A" labeled doors

### Warranty

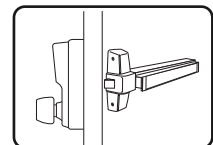
<b>Warranty:</b>	3-year warranty
------------------	-----------------

### Exit Trim

Door handing must be specified when ordering.

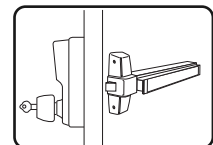


#### LP1010



- Combination Entry
- Egress with Exit Device (not supplied)
- Exterior Combination Change (only)

#### LP1020



- Combination Entry
- Egress with Exit Device (not supplied)
- Key Override (not supplied)
- Exterior Combination Change (only)