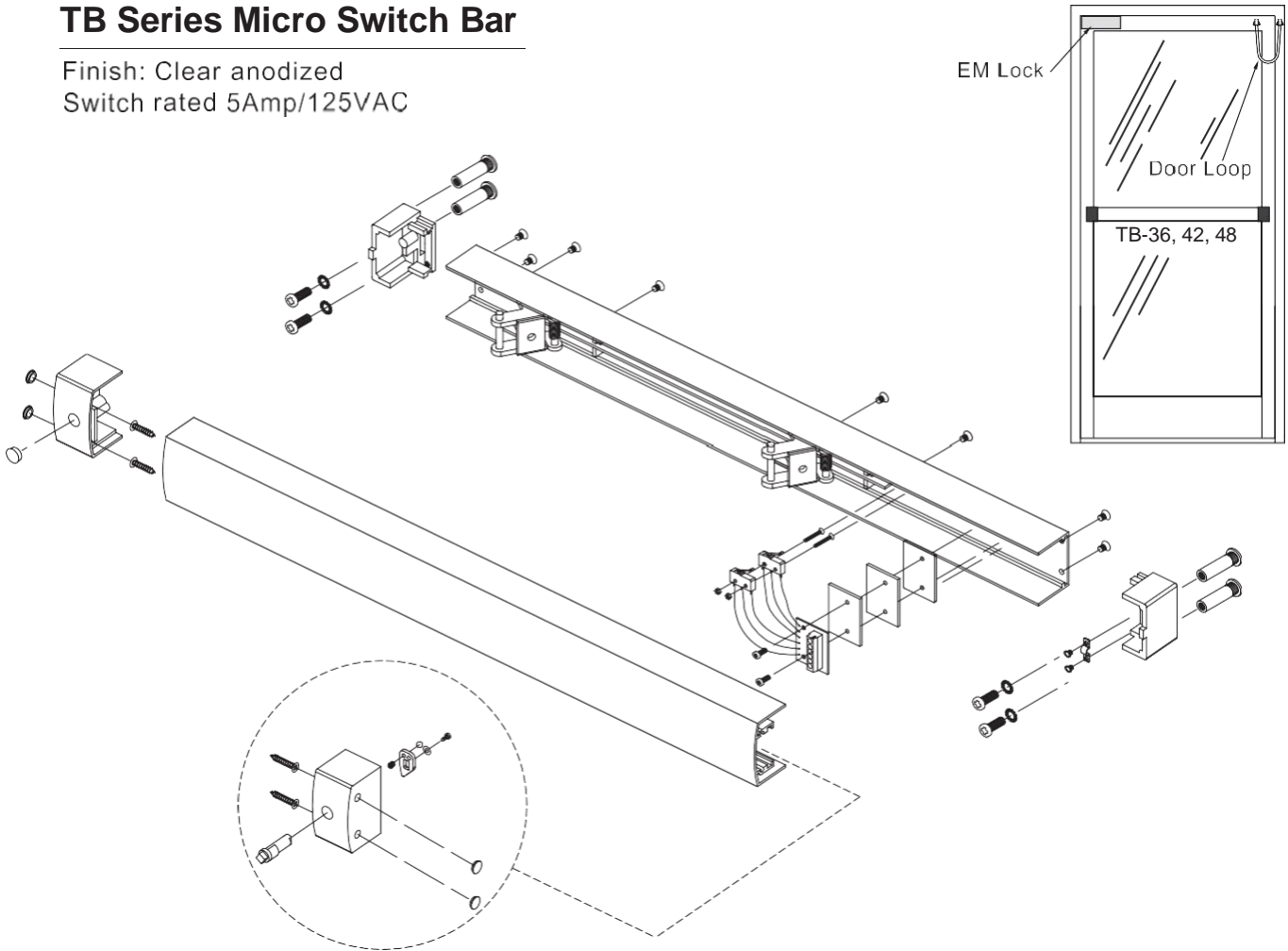


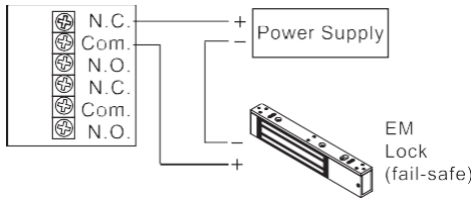
TB Series Micro Switch Bar

Finish: Clear anodized
Switch rated 5Amp/125VAC



TB Series bar is designed for emergency exit doors (or other large-scale outswing door) with a pressure push to switch to unlock of the door for exit. Available in 36" (914mm), 42" (1066mm), and 48" (1219mm) lengths.

Fig.A



Directly control the fail-safe magnet lock

Bar Length
TB-36 = 36" (914mm)
TB-42 = 42" (1066mm)
TB-48 = 48" (1219mm)

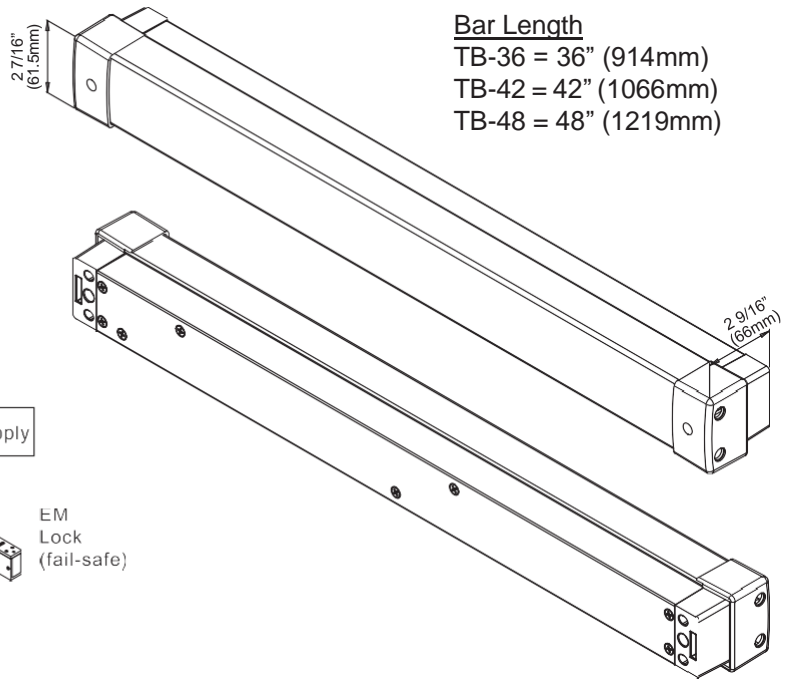
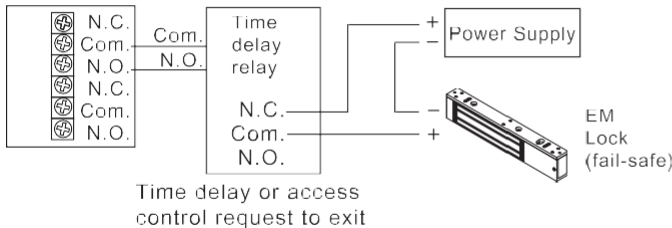


Fig.B



Time delay or access control request to exit

Connect to the request-to-exit contact

For details regarding the limited warranty:

Customer Service

1-877-671-7011

www.allegion.com/us

LOCKNETICS.

ALLEGION

© Allegion 2017
47259498 Rev 12/17-b