



Surface mounted closer

4030

Overview

The 4030 is a cast iron, universal closer designed specifically for doors in moderate traffic conditions. This versatile closer compliments the rest of the heavy duty 4000 Series and offers the choice of three mountings and multiple arm options.



Cylinder

4031-3071

Cast iron cylinder assembly

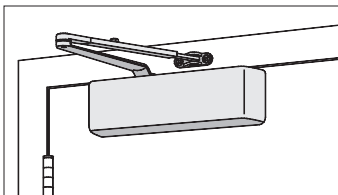
Handing

Non-handed

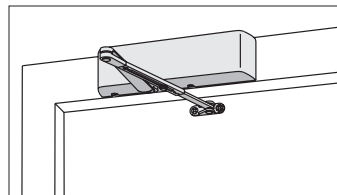
Sizing

Adjustable spring size 1-4

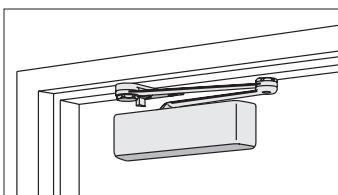
Mounting



Hinge (pull side)



Top jamb (push side)



Parallel arm (push side)



Finishes

Powder coat finishes



689
Aluminum



690
Statuary Bronze



691
Light Bronze



693
Black



695
Dark Bronze



696
Brass

150+ additional custom colors available using the RAL numbering system

Metal plated finishes



632
Bright Brass



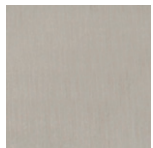
633
Satin Brass



639
Satin Bronze



616
Satin Bronze,
Blackened



646
Satin Nickel



651
Bright Chrome



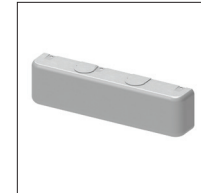
652
Satin Chrome

Available finish options

MTLPC	Brite metallic: Custom powder coat finish, which resembles that of 651 or 652 plated finish.
SRI	For installations where a higher level of protection against weather conditions, or the effects of a potentially corrosive atmosphere is required, LCN offers a special rust inhibiting (SRI) process. Ferrous metal components receive an SRI pretreatment and a standard powder coat finish of your choice, or a custom powder coat finish for a nominal additional cost. Closers treated with the SRI process exceed the 100 hour protection level available with standard LCN powder coated finishes.

Covers

Standard cover



4030-72MC

Metal cover

- Non-handed

Arms



4030-3077

Regular arm

- Non-handed
- Mounts hinge side or top jamb
- P4031 closer includes PA SHOE, 4030-62PA is required for parallel arm mounting



4030-3077LD

Light duty arm

- Non-handed
- Mounts hinge side, top jamb or parallel arm (62PA required)
- Optional



4030-3077L

Long arm

- Non-handed
- Includes LONG ROD AND SHOE, 4030-79LR for top jamb mount with deep reveals
- Optional



4030-3049

Hold-open arm

- Non-handed
- Mounts hinge side, top jamb or parallel arm (62PA required)
- Hold-open adjustable at shoe
- Optional



4030-3049L

Long hold-open arm

- Non-handed
- Includes LONG HEAD AND TUBE, 4030-3048L for top jamb mount with deep reveals
- Optional



4030-3077EDA

Extra duty arm

- Non-handed
- Extra duty arm features solid forged steel main and forearm for potentially abusive installations
- Optional



4030-3049EDA

Hold-open EDA arm

- Handed
- Arm, provides hold-open function adjustable at shoe
- Optional



4030-3077CNS

Cush-n-Stop® arm

- Non-handed
- Solid forged steel main arm and forearm with stop in soffit shoe
- Optional



4030-3049CNS

Hold-open CUSH arm

- Non-handed
- Provides hold-open function with templated stop/hold-open points
- Handle controls hold-open function
- Optional



4030-3077SCNS

Spring CUSH arm

- Non-handed
- For abusive applications
- Features solid forged steel main arm and forearm with spring loaded stop in the soffit shoe
- Optional

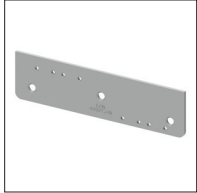


4030-3049SCNS

Spring HCUSH arm

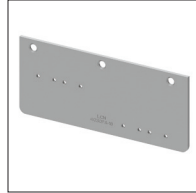
- Non-handed
- For abusive applications
- Features solid forged steel main arm and forearm with spring loaded stop in the soffit shoe
- Handle controls hold-open function
- Optional

Installation accessories



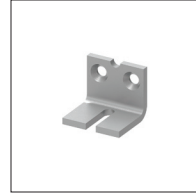
**4030-18TJ
Plate**

- Required for top jamb mounting where head frame is less than 2 1/4" (57 mm) or flush ceiling condition exists
- Requires 1 1/2" (38 mm) minimum



**4030-18PA
Plate**

- Required for parallel arm mounting where top rail is less than 5" (127 mm), measured from the stop
- Requires 1 3/4" (44 mm) minimum



**4030-30
CUSH shoe support**

- Provides anchorage for fifth screw used with CUSH arms where reveal is less than 3 1/16" (78 mm)



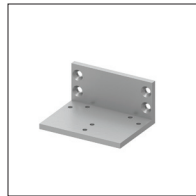
**4030-61
Blade stop spacer**

- Lowers parallel arm shoe to clear 1/2" (13 mm) blade stop



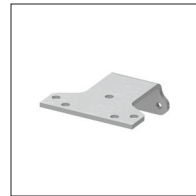
**4030-62A
Auxiliary shoe**

- Requires a top rail of 7" (178 mm)
- Replaces -62PA for parallel arm mounting of regular arm with some overhead holder/stop
- Optional



**4030-419
PA flush panel adapter**

- Provides horizontal mounting surface for PA or CUSH shoe on single rabbeted or flush frame



**4030-62PA
PA shoe**

- Required for parallel arm mounting

Fasteners

Wood and self-tapping machine screw pack

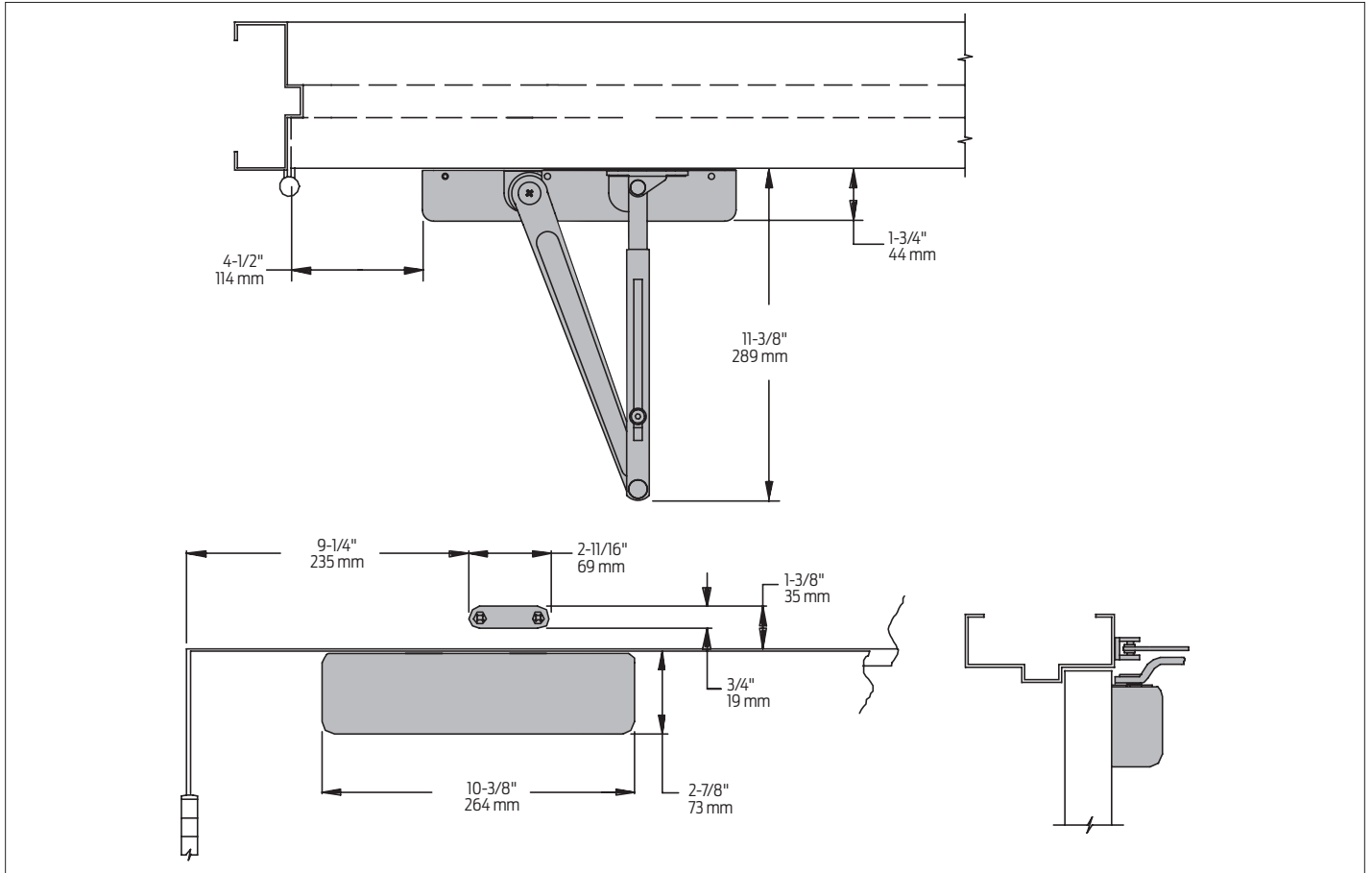
Fastener pack options

TBWMS TB¹, wood and machine screw

¹ Specify door thickness if other than 1 3/4"

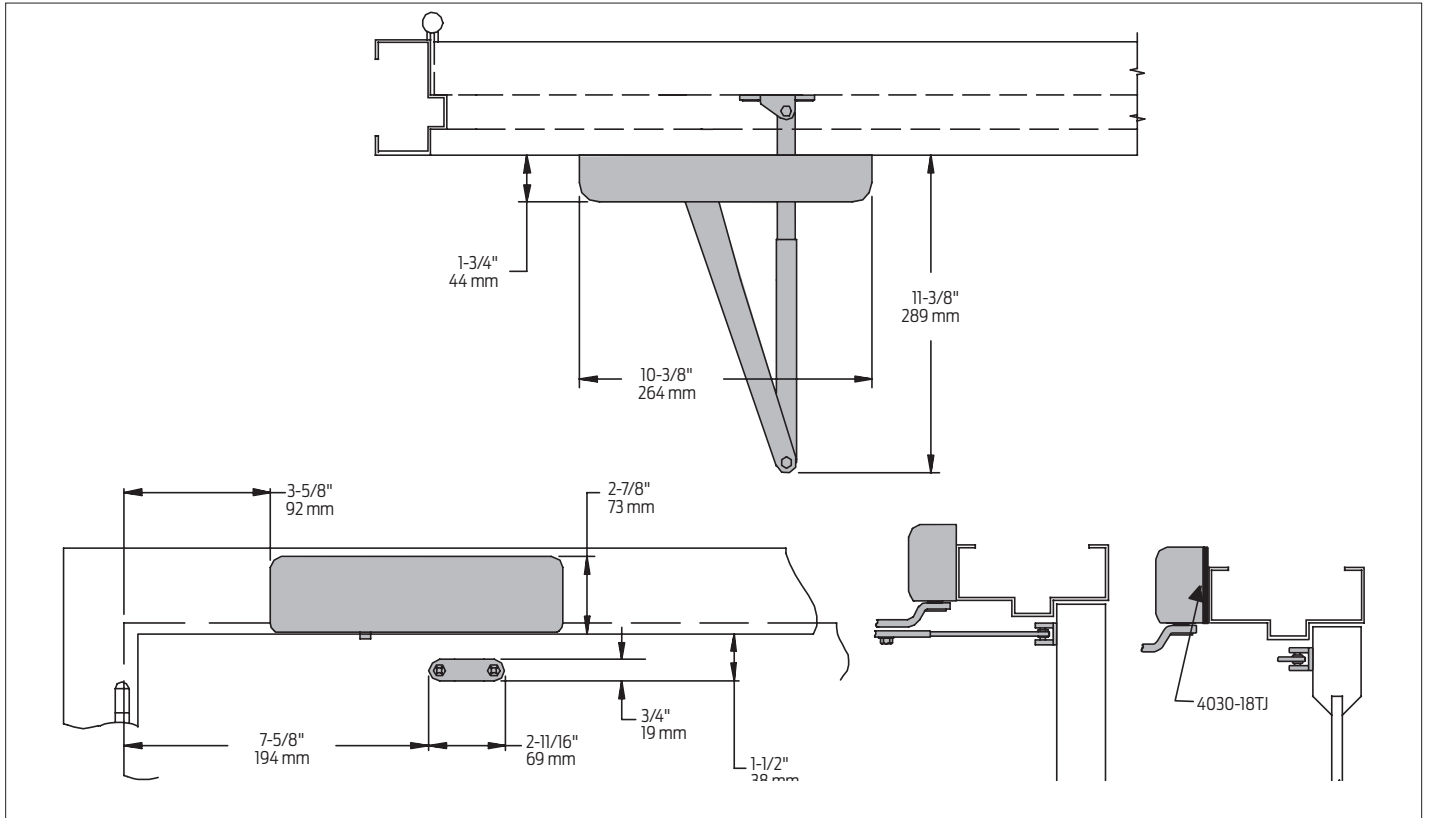
Dimensions and mounting

Hinge (pull) side mounting

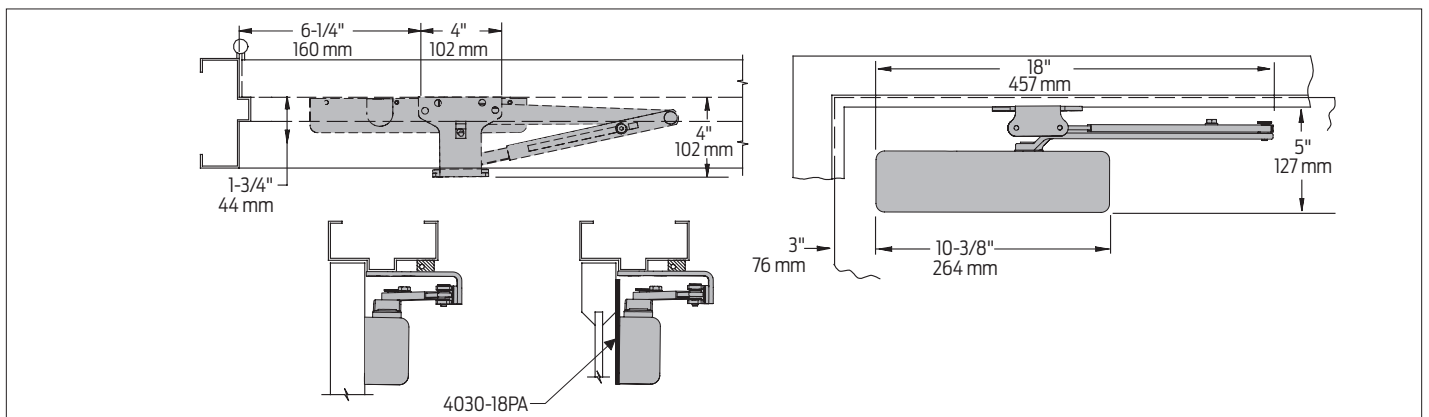


Dimensions and mounting

Top jamb (push side) mounting

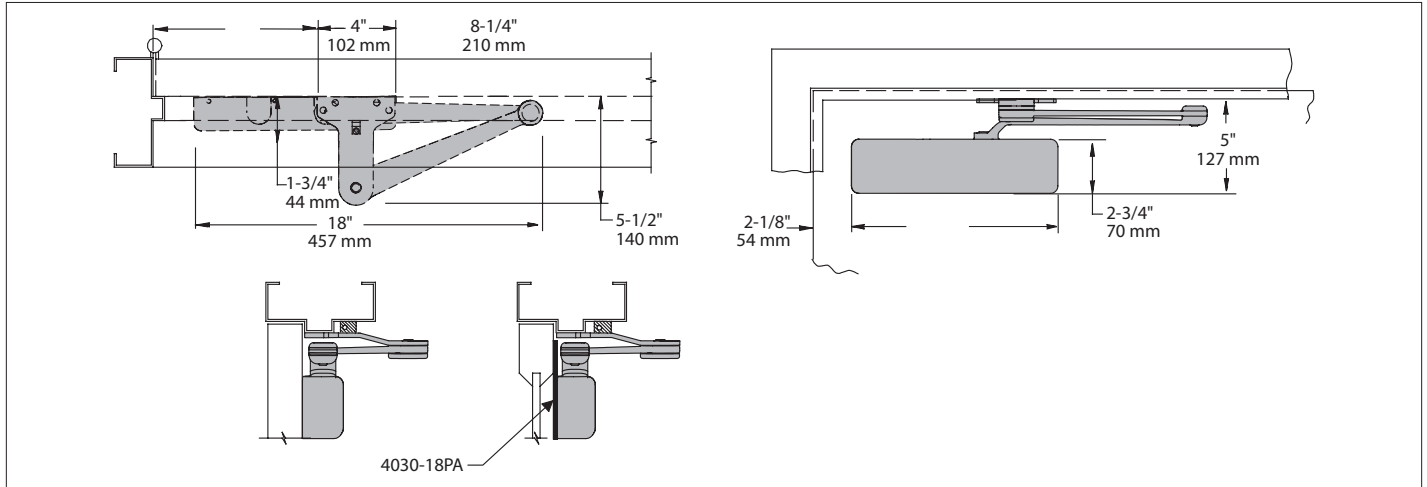


Parallel arm mounting

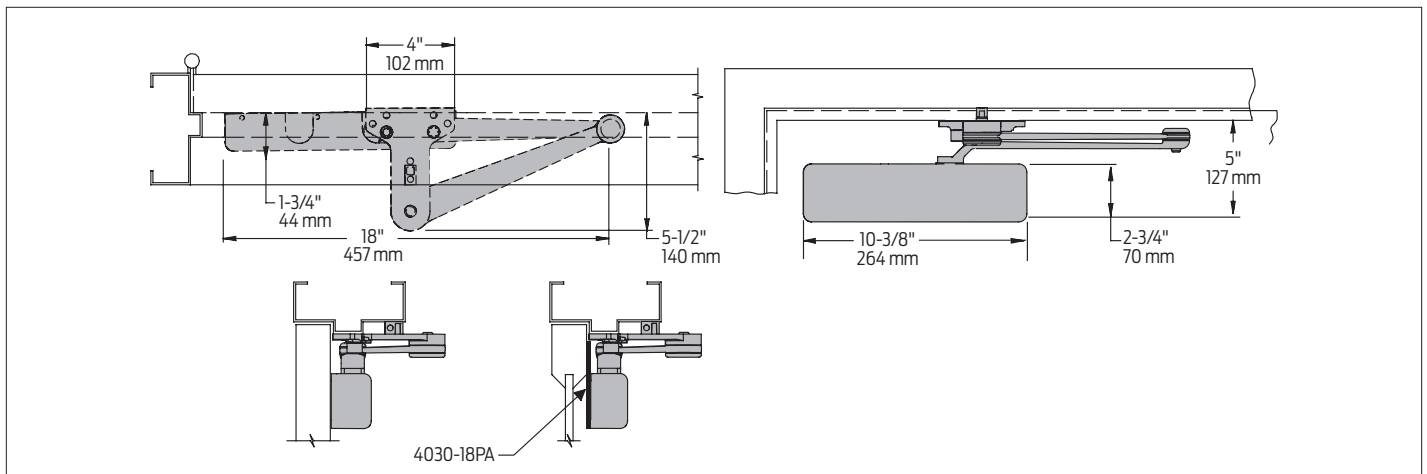


Dimensions and mounting

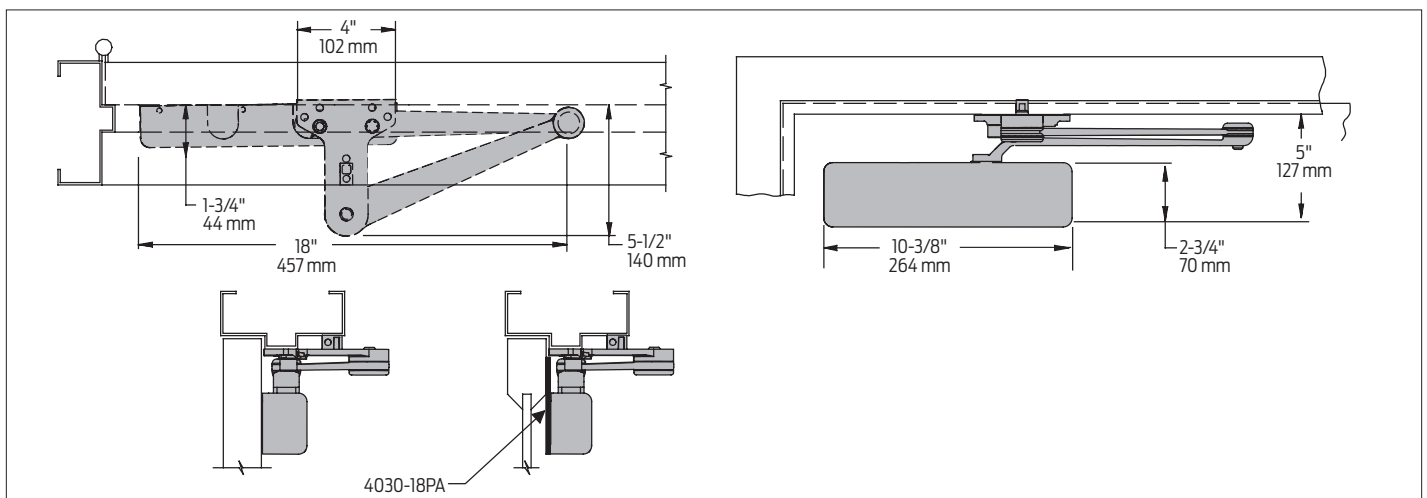
EDA mount



CUSH mount



SCUSH mount



Specifications

Accessibility	Available with less than 5.0 lbs. opening force on 36" door
Certifications/ approvals	<ul style="list-style-type: none"> ■ Grade 1 - ANSI A156.4 ■ UL 10C ■ Meets BAA - Buy American Act
Degree of operation	<p>Hinge (pull) side</p> <p>Max opening: 180°</p> <p>Hold open: 180°</p> <p>Top jamb (push side) mount</p> <p>Max opening: 180°</p> <p>Hold open: 180°</p> <p>Parallel arm with 62PA</p> <p>Max opening: 180°</p> <p>Hold open: 180°</p> <p>EDA</p> <p>Max opening: 110°</p> <p>Hold open: 110°</p> <p>Cush and Spring cush</p> <p>Max opening: 100°</p> <p>Hold open: 100°</p>
Environmental conditions	<ul style="list-style-type: none"> ■ Approved for interior use ■ Approved for exterior use (SRI coated only) ■ LCN's standard all weather fluid performs to temperature ranges from 120°F (49°C) to -30°F (-35°C) ■ LCN's powder coat finish surpasses 100 hours of salt spray which is over four times the ANSI standard for corrosion resistance.
Warranty	30 years
Standard features	<ul style="list-style-type: none"> ■ Cast iron body ■ Full complement bearing ■ 1 1/8" diameter piston ■ 1/2" diameter single heat treated pinion journal