

LCN®

1000 Series

Surface mounted closers





Top-of-its-class performance that gets the job done

Slamming church doors mark the beginning of LCN's rich history. In 1877, our founder was hired to solve this problem for the Trinity Church in Boston, MA. It led to the world's first door check and launched the beginning of the door closer industry.

Through investment in state-of-the-art equipment, processes and people, we believe LCN will continue to provide the best solutions for our customers. Reliability means control over door speed, latch engagement and, ultimately, how well a door with an LCN closer operates in the field.

Built from the inside out, the LCN portfolio combines tougher, bolder construction with proven technology – setting the standards for reliability, longevity and value in high-use applications. To provide door closers that are free from defects and manufactured to LCN's rigorous standards, every person from the engineer to the plant floor operator plays a role in the quality control process. We own quality control as a plant – defining standards, monitoring production, conducting quality checks and responding to any needs that arise.

With millions of door closers installed in facilities across the world and backed by support at every point of interaction no matter your role in the industry, you can be confident in choosing LCN.

1000 Series features

- Slim line design for easy installation on narrow head frames and top rails
- Closers mount three ways – hinge side, top jamb, and stop face
- Non-handed for right and left swinging doors

Information and customer care



us.allegion.com



US 877.671.7011

Canada 800.900.4734



support@allegion.com

Closers_TechProdSupport@allegion.com



www.youtube.com/LCNHardware

Ordering



Allegion_Orders@allegion.com

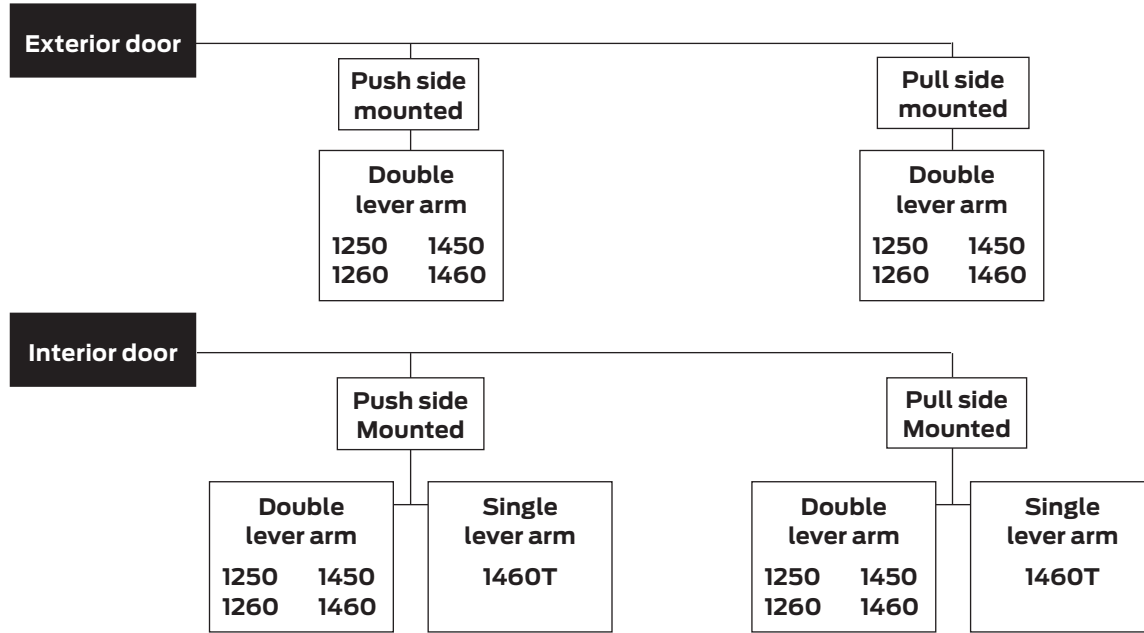


eFax: 1.800.248.1460

1000 Series surface mounted closers

Product selection guide

Surface mounted 1000 Series LCN closers feature a modern slim line design for easy installation on narrow head frames and top rails. This guide is based on the desired mounting of the closer.



Note: For parallel mounts order "P" version to also receive PA Shoe.

Product comparison

This chart shows a basic comparison of LCN 1000 Series closers. Refer to the specific closer chapter for complete details.

	Mounting					Finish			Cover				Cylinder			Arm function*								
	Hinge (pull) side	Top jamb (pull)	Top jamb (push)	Parallel arm	Stop face	Paint	Powder coat	Plated	Plastic	Metal	Designer series	Non-handed	Non-sized	Accessibility	Delay action	Regular (double)	Standard (single)	Heavy duty	Hold Open	EDA/HEDA	CUSH/HCUSH	SCUSH/SHCUSH		
1250	■	■	■	■	■	■	■	■	■	■	■	■	■	■	■	■	■	180°	■	■	180°	180°	110°	110°
1260	■	■	■	■	■	■	■	■	■	■	■	■	■	■	■	■	■	180°	■	■	180°	120°	110°	110°
1450	■	■	■	■	■	■	■	■	■	■	■	■	■	■	■	■	■	180°	■	■	180°	180°	110°	110°
1460	■	■	■	■	■	■	■	■ ^D	■	■	■	■	■	■	■	■	■	180°	■	■	180°	180°	110°	100°
1460T	■	■	■	■	■	■	■	■ ^D	■	■	■	■	■	■	■	■	■	■	180°	■	115°	■	■	■

■ Available
■ Not available
 Closer available with less than 5.0 lbs. opening force on 36" door.
 * Maximum opening/hold open point with standard template. See individual closer series for degrees of opening per installation.
 D For designer series only

Product selection guide

Applications

- For aluminum, hollow metal, or wood swinging doors and frames.
- Can be used with hinge or pivot mounted door.
- Mounts on 1 3/4" transom without adapter plates.
- Adapter plates and other installation accessories available for non-standard conditions.

Features common to 1000 Series

- 1000 series closers mount three ways. Closers with regular or holdopen arm mount hinge side or top jamb. Parallel arm, closers include - 62PA SHOE required for parallel arm mount. 1460T mounts hinge side, top jamb (pull side) and stop face.
- Non-handed for right and left swinging doors.
- Closers to meet ADA reduced opening force requirements.
- Adjustable hydraulic backcheck cushions opening swing prior to 90°.
- Separate regulation of general closing speed and latching speed.

Design assistance

LCN has been providing reliable solutions to unique door control problems since 1925. Design and specification assistance are only a phone call away. Contact LCN for assistance or technical information at 877-671-7011 or fax 800-248-1460 (Order Entry), Fax 815-879-1495 for Product Support.

Warranty

- 30 year limited warranty (1460 Series) and 20 year limited warranty (1260 Series) on cast iron closers.
- 15 year limited warranty (1250 series) and 25 year limited warranty (1450 series) on cast aluminum closers.

See General Information catalog for full warranty details.

Specifications

Refer to specifications section for suggested architectural specifications.

Materials

- High strength cast iron (1260, 1460, 1460T) or cast aluminum (1250, 1450) cylinder.
- Forged steel main arm for all EDA, CUSH, 1460HD and 1460T arms.
- One piece forged steel piston.
- Heat treated pinion.
- LCN's standard all weather fluid performs to temperature ranges from 120°F (49°C) to -30°F (-35°C).
- High efficiency, full complement, low friction bearings.
- Tamper resistant regulating screws.
- Full rack and pinion hydraulic action.
- Low friction track and roller combination for all single lever arm closers.

Finishes

- Available in six standard or a wide selection of optional custom powder coat finishes to blend with door and frame.
- LCN's powder coat finish surpasses 100 hours of salt spray which is over four times the ANSI standard for corrosion resistance.
- Painted finishes on cast aluminum closers (1250, 1450).
- For installations where a higher level of corrosion resistance is required, LCN offers an optional Special Rust Inhibitor (SRI) pretreatment (cast iron). Closers that combine the exclusive LCN powder coat finish and the SRI pretreatment exceed the ANSI standard for corrosion resistance even further.
- Plated finishes are available as an option to accent door and frame for the 1460 Series closers.

Listings and approvals

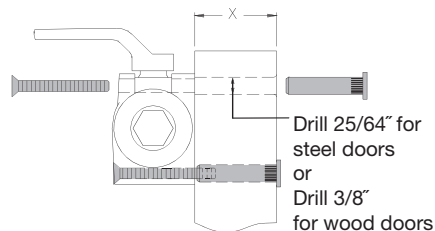
UL listed for self-closing doors without hold open under "swinging door closers" (GVEV) file R 1943. Tested and certified under ANSI Standard A156.4 grade one. Consult factory for details. Consult factory for other listings such as; cUL, California State Fire Marshal, Bureau of Standards and Appeals.

Positive pressure

LCN closers have been certified for three hours by UL to be in compliance with UL 10 C. Contact LCN for specific details on door closer fire ratings.

Fasteners

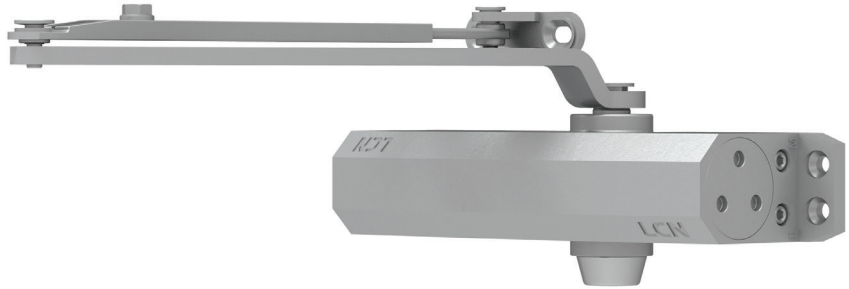
1260, 1460, 1460T series closers are shipped with: A standard Self Reaming and Tapping Screws (SRT) pack that contains Phillips head SRT screws to install the closer. 1250 and 1450 series closers are shipped with: A universal screw pack to include Self Reaming and Tapping Screws (SRT), machine and wood screws. Standard LCN Through Bolts (TB) can be installed on 1 3/4" (44 mm) thick doors with 1/4" - 20 machine screws. Optional Through Bolt (TB) sizes are available for 1 5/8" (41 mm) or 1 3/8" (35 mm) door thickness, but this must be specified when ordering.



Notes:

- For Through Bolts, specify door thickness if other than 1 3/4" (44mm), represented in diagram as dimension "X".
- Phillips head, metric machine screws are available, please specify.
- LCN recommends the use of wood screws for wood door applications.

1250 Series



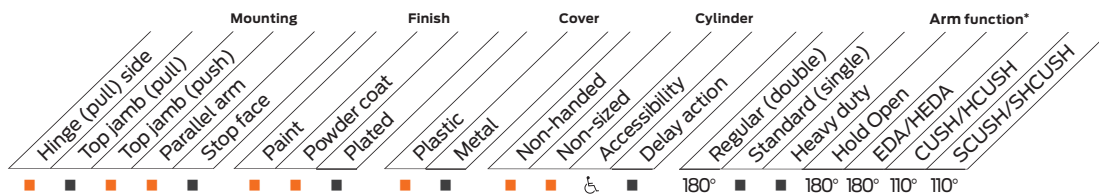
The 1250 Series cast aluminum closer is designed for low-frequency and low-abusive traffic areas. Combining dependable operation, low maintenance and a stylish look this closer is ideal for aluminum storefronts and interior offices.

Features

Certifications	Grade 1 - ANSI A156.4, UL 10C, ADA, 100 Hour Salt Spray, Meets BAA - Buy American Act	Cover	Slim line cover, optional
Body construction	<ul style="list-style-type: none"> Cast aluminum body Full complement bearing 1 3/8" diameter piston 5/8" diameter single heat treated pinion journal 	Fasteners	Universal screw pack (UNIV)
Fluid	All weather fluid	Mounting	Hinge (pull side), top jamb (push side), parallel arm (push side)
Handing	Non-handed	Arms	Tripack includes regular, top jamb, and parallel arm (RWPA)
Templating	Peel-n-Stick templates - 3/4" x 9 1/16" mounting hole pattern	Finishes/colors/powder coat	<ul style="list-style-type: none"> 689 Aluminum 690 Statuary Bronze 691 Light Bronze 693 Black 695 Dark Bronze 696 Brass Custom colors optional Optional SRI primer - powder coat only
Size	Adjustable spring size 1-5		
Warranty	15 years		

Special templates

Customized installation templates or products may be available to solve non-standard applications. Contact LCN Product Support for assistance.

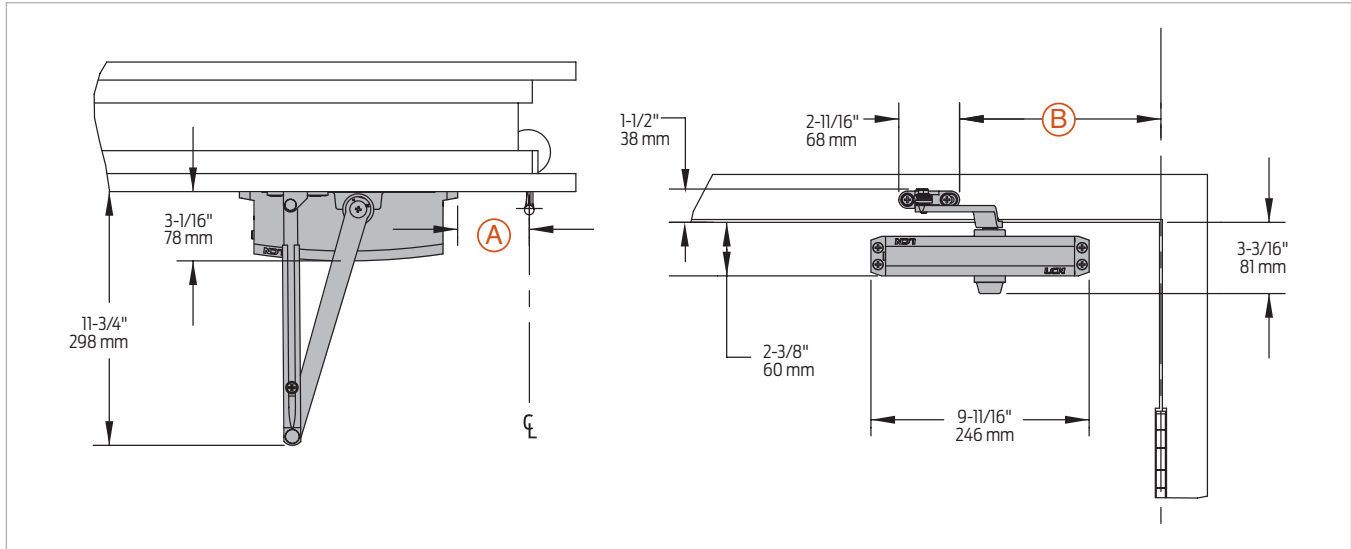


■ Available
■ Not available

♿ Closer available with less than 5.0 lbs. opening force on 36" door.
 * Maximum opening/hold open point with standard template.

Mounting details

Hinge (pull) side mounting

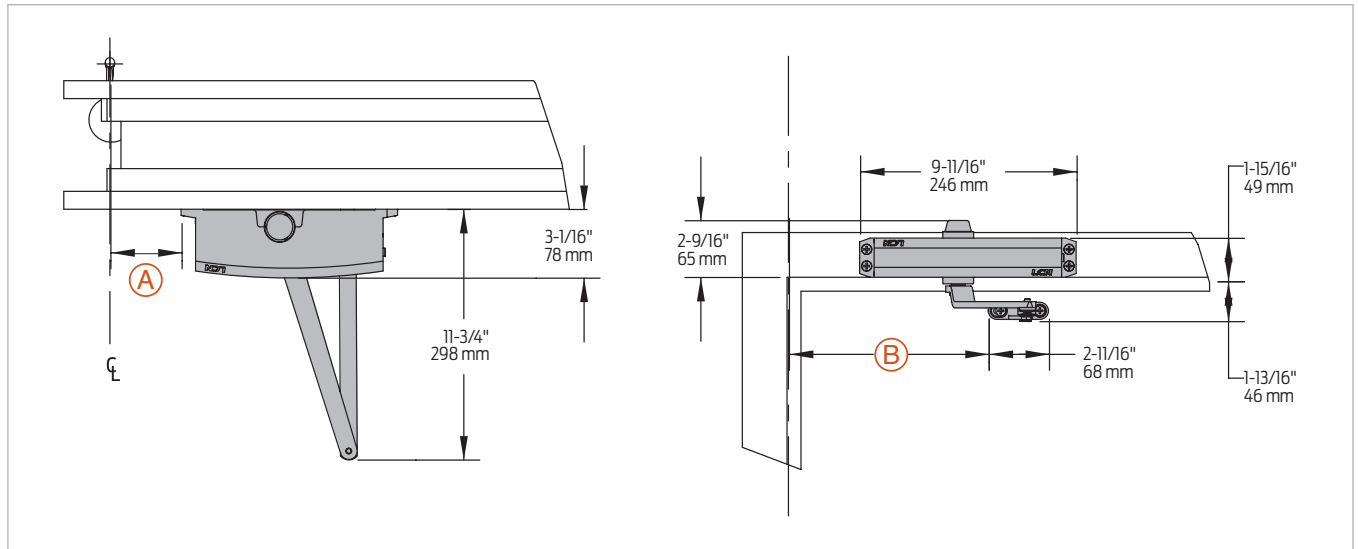


Butt hinges	Should not exceed 5" (127 mm) in width
Auxiliary stop	Recommended at hold open point or where a door cannot swing 180°
Reveal	Should not exceed 3/4" (19 mm) for regular arm or 1/2" (13 mm) for Hold Open Arm (H)
Top rail	Less than 2 3/8" (60 mm) requires plate, 1250-18
Clearance	3 1/16" (78mm) behind door required for installation
Maximum opening	100°: A = 6 11/16" (170mm) B = 12 7/16" (316 mm)
	101° to 120°: A = 5 11/16" (144mm) B = 11 7/16" (291 mm)
	or 121° to 180°: A = 3 1/16" (78 mm) B = 8 15/16" (227 mm)

Note: Hold open points up to maximum opening with Hold Open Arm.
* Frame and trim permitting.

Mounting details

Top jamb (push side) mounting

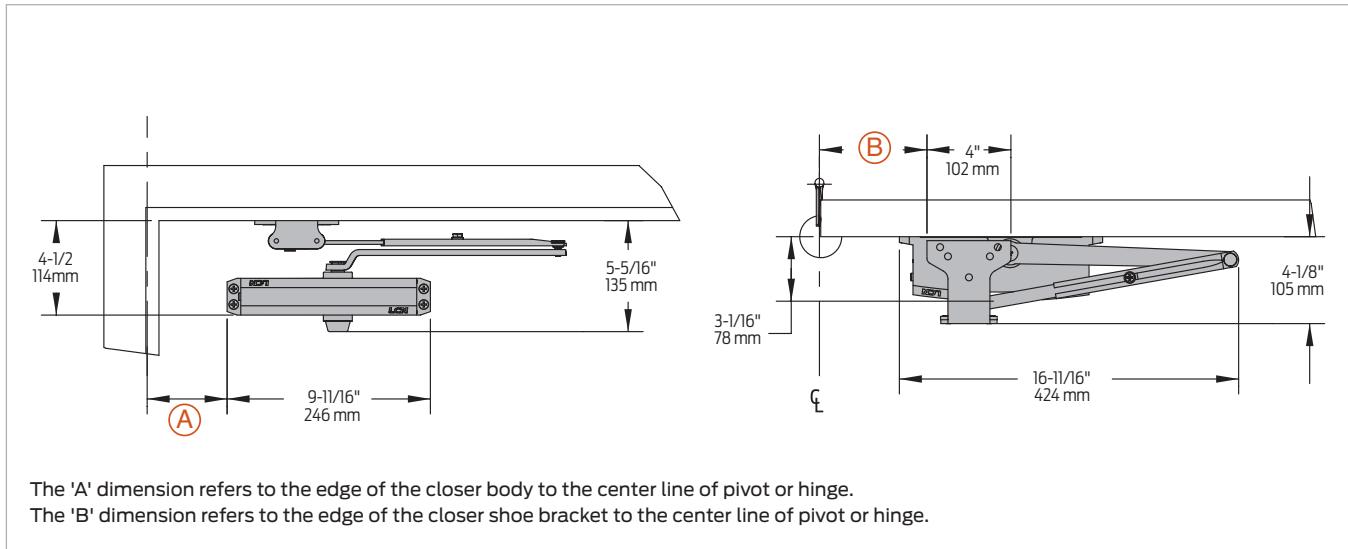


Butt hinges	Should not exceed 5" (127 mm) in width		
Auxiliary stop	Recommended at hold open point or where a door cannot swing 180°		
Reveal	Arm type	Maximum reveal	Opening
	Regular Arm	0" to 5"	180°
	Long Arm	4" to 8"	165°
	Hold Open Arm	0" to 2 3/4"	180°
	Hold Open Long Arm	2" to 6 1/2"	180°
Top rail	Requires 1 3/4" (44 mm) minimum. 2 1/2" (64 mm) minimum with closer on plate, 1250-18		
Head frame	Less than 1 3/4" (44 mm) requires plate, 1250-18. For flush ceiling condition with 2" (51 mm) head frame, use plate, 1250-18. (Plate requires 1 3/8" (35 mm) minimum.)		
Maximum opening	100°:	A = 7 3/16" (183 mm) B = 12 15/16" (329 mm)	
	101° to 120°:	A = 5 11/16" (144 mm) B = 11 7/16" (291 mm)	
	or *121° to 180°:	A = 3 1/16" (78 mm) B = 8 15/16" (227 mm)	

Note: Hold open points up to maximum opening with Hold Open Arm.
 * Frame and trim permitting.

Mounting details

Parallel arm (push side) mounting

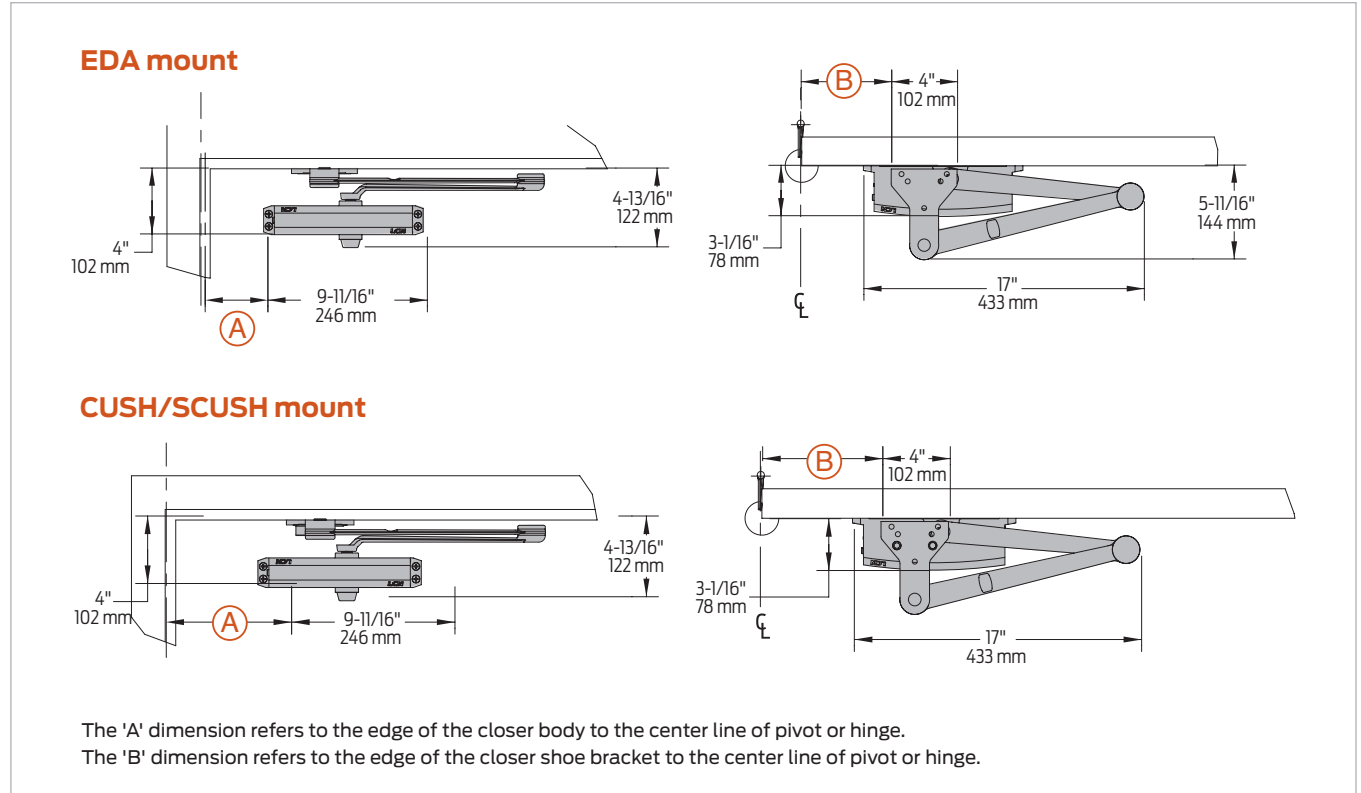


Butt hinges	Should not exceed 5" (127 mm) in width
Auxiliary stop	Recommended at hold open point, where a door cannot swing 180°, or where Cush-n-Stop Arm is not used
Top rail	Less than 4 1/2" (114 mm) measured from the stop requires plate, 1250-18PA
Clearance	1250-62PA shoe projects 4 1/8" (105 mm) from door face
Stop width	Minimum 1" (25 mm)
Blade stop	Clearance, requires 1/2" (13 mm) blade stop spacer, 1250-61
Auxiliary shoe	1250-62A allows installation of regular arm with overhead holder/stop
Maximum opening	Regular or Hold Open Arm can be templated to 100°: A = 7 5/16" (186 mm) B = 8 5/8" (219 mm) or 101° to 130°: A = 5 13/16" (148 mm) B = 7 1/8" (181 mm) or *131° to 180°: A = 3 13/16" (97 mm) B = 5 1/8" (130 mm)

Note: Hold open points up to maximum opening with Hold Open Arm. 1250 Parallel arm closer includes 1250-201 fifth hole spacer to support PA shoe.
* Frame and trim permitting.

Mounting details

EDA and Cush-n-Stop mounting



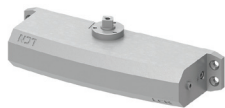
Clearance	1250-62EDA or CUSH shoe projects 5 11/16" (144mm) from door face	
Head frame	Flush or rabbeted requires CUSH flush panel adapter, 1250-419	
EDA or CUSH Arm	Requires soffit shoe support, 1250-30 for fifth screw anchorage where reveal is less than 2 3/4" (70mm)	
SCUSH	Dead stop points are approximately 5° more than templated stop point.	
Maximum opening	EDA template allows 180°. Hold open point up to maximum opening	CUSH arms can be templated for maximum opening/hold open point at 85°
	100°: A = 7 5/16" (186mm) B = 9" (229 mm)	85°: A = 8 13/16" (224 mm) B = 10 1/2" (267 mm)
	or 130°: A = 5 13/16" (148 mm) B = 7 1/2" (191 mm)	90°: A = 8 1/16" (205 mm) B = 9 3/4" (248 mm)
	or 180°: A = 3 13/16" (97 mm) B = 5 1/2" (140 mm)	100°: A = 6 11/16" (170 mm) B = 8 3/8" (213 mm)
		105°: A = 6 1/16" (154 mm) B = 7 3/4" (197 mm)
		110°: A = 5 7/16" (138 mm) B = 7 1/8" (181 mm)

Note: 1250 closers ordered with EDA, CUSH or SCUSH arms include 1250-201 fifth hole spacer to support the shoe

1250 Series

Accessories

Cylinders



1250-3071
Cast aluminum cylinder assembly (CYL)

- Non-handed
- Standard

Covers



1250-72
Slim line plastic cover (SLIMPC)

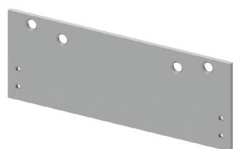
- Non-handed
- Optional

Installation accessories



1250-18
Plate

- Required for hinge side mount where top rail is less than 2 ³/₈" (60mm)
- Required for top jamb mounting where head frame is less than 1 ³/₄" (44 mm) or flush ceiling condition exists
- Requires minimum 1 ¹/₂" (38 mm) minimum top rail or 1 ¹/₄" (32 mm) head frame



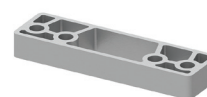
1250-18PA
Plate

- Required for parallel arm mounting where top rail is less than 4 ¹/₂" (114mm), measured from the stop
- Requires 1 ³/₄" (44 mm) minimum top rail



1250-30
CUSH shoe support

- Provide anchorage for fifth screw used with CUSH arms where reveal is less than 2 ³/₄" (70mm)



1250-61
Blade stop spacer

- Lowers parallel arm shoe to clear 1/2" (13 mm) blade stop



1250-62A
Auxiliary shoe

- Requires a top rail of 7 ¹/₈" (181mm). Optional shoe replaces -62PA for parallel arm mounting of regular arm with overhead holder/stop



1250-419
PA flush panel adapter

- Provides horizontal mounting surface for PA, EDA or CUSH shoe on single rabbeted or flush frame



1250-62PA
PA shoe

- Required for parallel arm mounting

Accessories

Arms



**1250-3077
Regular Arm with Parallel Arm
Bracket (RWPA)**

- Non-handed
- Mounts hinge side or top jamb
- Parallel Arm includes PA shoe, 1250-62PA required for parallel arm mounting



**1250-3077L
Long Arm (LONG)**

- Non-handed
- Includes long rod and shoe, 1250-79LR for top jamb mount with deep reveals
- Optional



**1250-3077EDA
Extra Duty Arm (EDA)**

- Non-handed
- Features solid forged steel main and forearm for potentially abusive installations
- Optional



**1250-3049EDA
Hold Open Extra Duty
Arm (HEDA)**

- Handed
- Provides hold open function adjustable at shoe
- Optional



**1250-3049
Hold Open Arm with Parallel
Arm Bracket (HWPB)**

- Non-handed
- Mounts hinge side, top jamb or parallel arm (62PA required)
- Hold open adjustable at shoe
- Optional



**1250-3049L
Hold Open Long Arm (HLONG)**

- Non-handed
- Includes long head and tube, 1250-3048L for top jamb mount with deep reveals
- Optional



**1250-3077CNS
Cush-n-Stop Arm (CUSH)**

- Non-handed
- Features solid forged steel main arm and forearm with stop in soffit shoe
- Optional



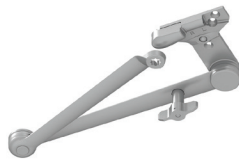
**1250-3049CNS
Hold Open Cush-n-Stop
Arm (HCUSH)**

- Non-handed
- Provides hold-open function with templated stop/hold open points
- Handle controls hold open function
- Optional



**1250-3077SCNS
Spring Cush-n-Stop Arm
(SCUSH)**

- Non-handed
- For abusive applications features solid forged steel main arm and forearm with spring loaded stop in the soffit shoe
- Optional



**1250-3049SCNS
Spring Hold Open Cush-n-Stop
Arm (SHCUSH)**

- Non-handed
- For abusive applications features solid forged steel main arm and forearm with spring loaded stop in the soffit shoe
- Handle controls hold open function
- Optional

Ordering information

How-to-order 1250 Series closers

1. Select finish

- Standard powder coat _____
Aluminum (689), Dark Bronze (695),
Statuary Bronze (690), Light Bronze (691),
Black (693), Brass (696).

Closer options

Cover

- Slim line plastic cover (SLIMPC)

Finish

- Custom Powder Coat (RAL) _____
- SRI primer (for use with powder coat finishes only)

Arm

- Regular Arm with 62A Auxiliary Shoe (RW62A)
- Long Arm (LONG)
- Regular with 62A Auxiliary Shoe (RW62A)
- Hold Open with Parallel Arm Bracket (HWPB)
- Hold Open Long Arm (HLONG)
- Extra Duty Arm (EDA)
- Hold Open Extra Duty Arm (HEDA)
- Cush-n-Stop Arm (CUSH)
- Hold Open Cush-n-Stop Arm (HCUSH)
- Spring Cush-n-Stop Arm (SCUSH)
- Spring Hold Open Cush-n-Stop Arm (SHCUSH)

Closer will be shipped with:

- Standard cylinder
- Tripack arm (RWPA)
- Universal screw pack
(unless options listed below are selected)

Optional screw packs

- Torx Machine Screws (TORX)
- Through Bolt¹ and Torx Machine Screw (TBTRX)

Installation accessories

- Plate, 1250-18
- Plate, 1250-18PA
- CUSH Shoe Support, 1250-30
- Blade Stop Spacer, 1250-61
- Auxiliary Shoe, 1250-62A
- PA Flush Panel Adapter, 1250-419

Special template

- ST- _____

Meets Buy American Act

- BAA

1. Specify door thickness if other than 1 3/4".

Table of sizes

- Select closer based on width of door.
- The spring power of a 1250 cylinder is field adjustable from size 1 through size 5 and is shipped adjusted to size 3.

Exterior (and vestibule) door width



Interior door width



➔ Indicates recommended range of door width for closer size.
* Adjustable Size 1 thru 5.

Reduced opening force 1250 Series closers

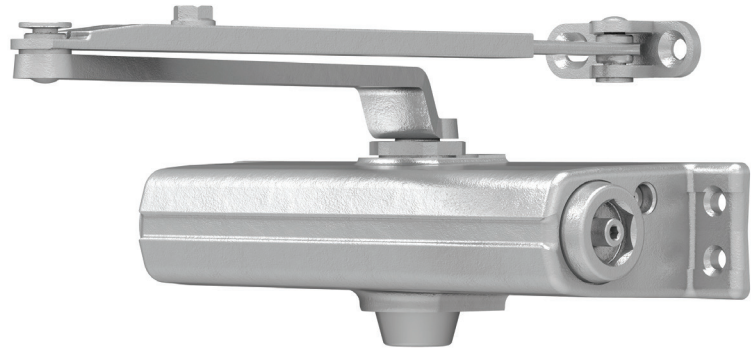
CAUTION! Any manual door closer, including those certified by BHMA to conform to ANSI Standard A156.4, that is selected, installed and adjusted based on ADA or other reduced opening force requirements may not provide sufficient power to reliably close and latch a door.

Refer to Automatic Operators catalog for information on systems that meet reduced opening force requirements without effecting closing power.

	Door width	36"	42"	48"
	8.5* lbs.	1250	1250	1250
	5.0* lbs.	1250	1250	1250

* Maximum opening force.

1260 Series

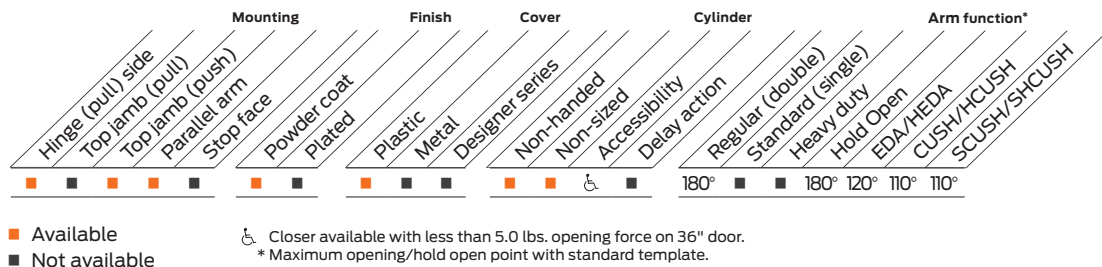


The 1260 is a light to medium duty cast iron closer designed to fit the most common commercial foot print. It's adjustable for spring sizes 1-5, features a complete line of regular and extra duty arms, and an optional Quick Fix™ bracket kit.

Features

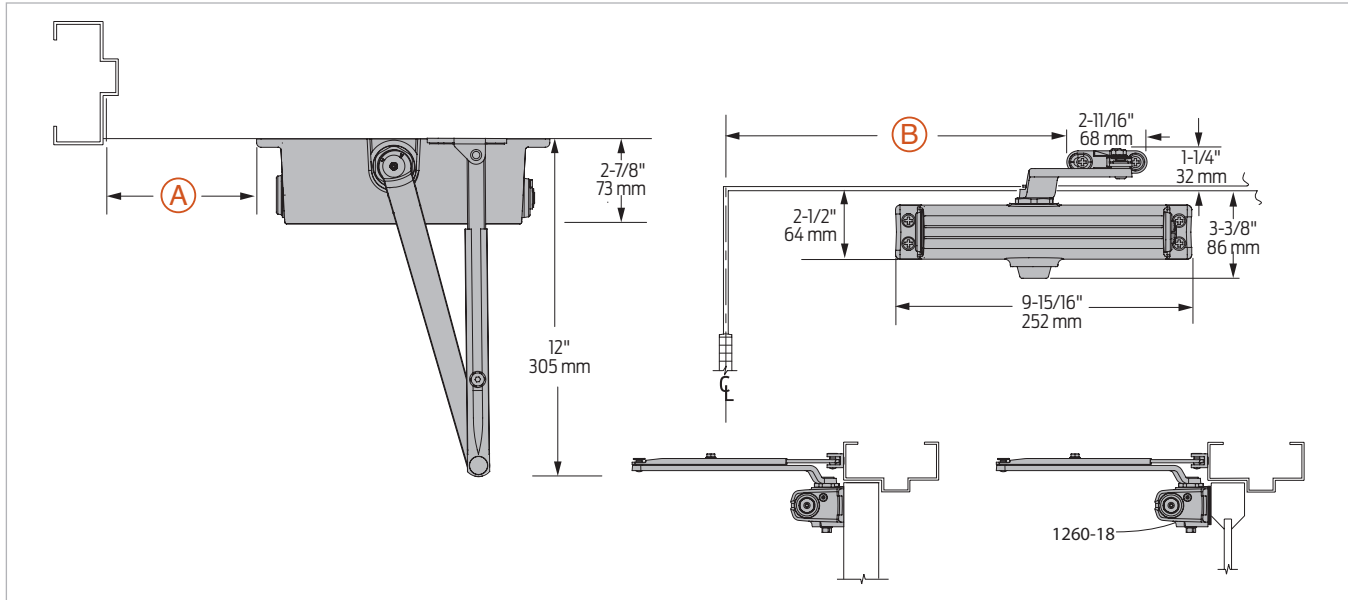
Certifications	Grade 1 - ANSI A156.4, UL 10C, ADA, 100 Hour Salt Spray, Meets BAA - Buy American Act	Cover	Slim line plastic cover, optional
Body construction	<ul style="list-style-type: none"> Cast iron body Full complement bearing 1 3/8" Diameter piston 5/8" diameter single heat treated pinion journal 	Fasteners	Self reaming and tapping screws (SRT)
Fluid	All weather fluid	Mounting	Hinge (pull side), top jamb (push side), parallel arm (push side)
Handing	Non-handed	Arms	Regular arm
Templating	Peel-n-Stick templates - 3/4" x 9 1/16" mounting hole pattern	Finishes/colors/ powder coat	<ul style="list-style-type: none"> 689 Aluminum 690 Statuary Bronze 691 Light Bronze 693 Black 695 Dark Bronze 696 Brass Custom colors optional Optional SRI primer - powder coat only
Size	Adjustable spring size 1-5		
Warranty	20 years		

Special templates | Customized installation templates or products may be available to solve non-standard applications. Contact LCN Product Support for assistance.



Mounting details

Hinge (pull) side mounting

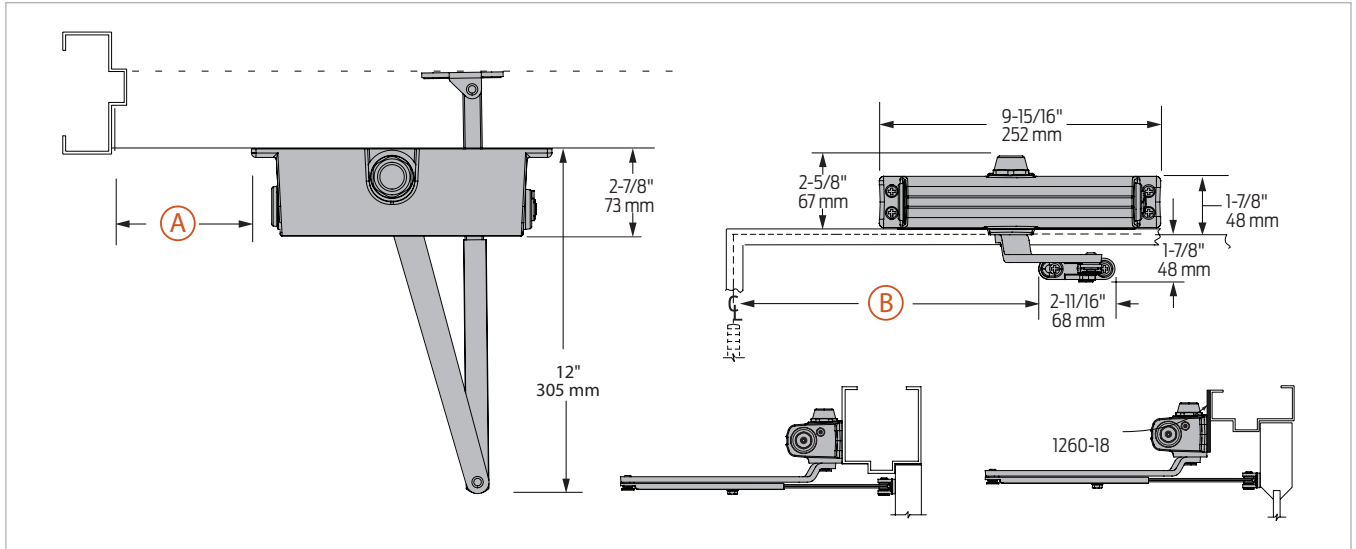


Butt hinges	Should not exceed 5" (127 mm) in width
Auxiliary stop	Recommended at hold open point or where a door cannot swing 180°
Reveal	Should not exceed 3/4" (19 mm) for regular arm or 1/2" (13 mm) for Hold Open Arm
Top rail	Less than 2 1/2" (64 mm) requires plate, 1260-18
Clearance	2 7/8" (73 mm) behind door required for installation
Maximum opening	110°: A = 6 9/16" (167 mm) B = 12 7/16" (316 mm)
	101° to 120°: A = 5 9/16" (141 mm) B = 11 7/16" (291 mm)
	or *121° to 180°: A = 3 1/16" (78 mm) B = 8 15/16" (227 mm)

Note: Hold open points up to maximum opening with Hold Open Arm.
* Frame and trim permitting.

Mounting details

Top jamb (push side) mounting

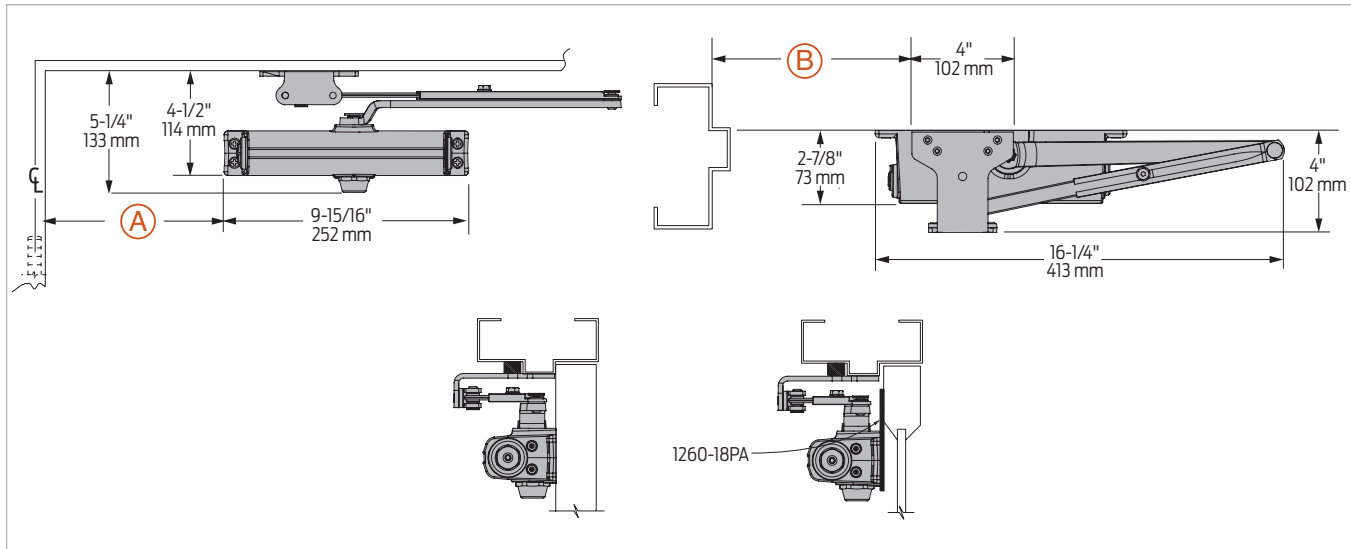


Butt hinges	Should not exceed 5" (127 mm) in width		
Auxiliary stop	Recommended at hold open point or where a door cannot swing 180°		
Reveal	Arm type	Maximum reveal	Opening
	Regular Arm	3 1/2"	Up to 120°
	Regular Arm	2 1/4"	121° to 180°
	Long Arm	7 1/2"	Up to 120°
	Long Arm	3 1/2"	121° to 180°
	Hold Open Arm	2"	Up to 120°
	Hold Open Arm	2 1/4"	121° to 180°
	Hold Open Long Arm	4 1/2"	Up to 120°
	Hold Open Long Arm	4 1/2"	121° to 160°
Top rail	1 3/4" (44 mm) minimum. 2 1/2" (64 mm) minimum with closer on plate, 1260-18		
Head frame	Less than 1 3/4" (44 mm) requires plate, 1260-18. For flush ceiling condition with 2" (51 mm) head frame, use plate, 1260-18. (Plate requires 1 3/8" (35 mm) minimum.)		
Maximum opening	110°:	A = 7 1/16" (179 mm) B = 12 15/16" (329 mm)	
	101° to 120°:	A = 5 9/16" (141 mm) B = 11 7/16" (291 mm)	
	or *121° to 180°:	A = 3 1/16" (78 mm) B = 8 15/16" (227 mm)	

Note: Hold open points up to maximum opening with Hold Open Arm.
* Frame and trim permitting.

Mounting details

Parallel arm (push side) mounting



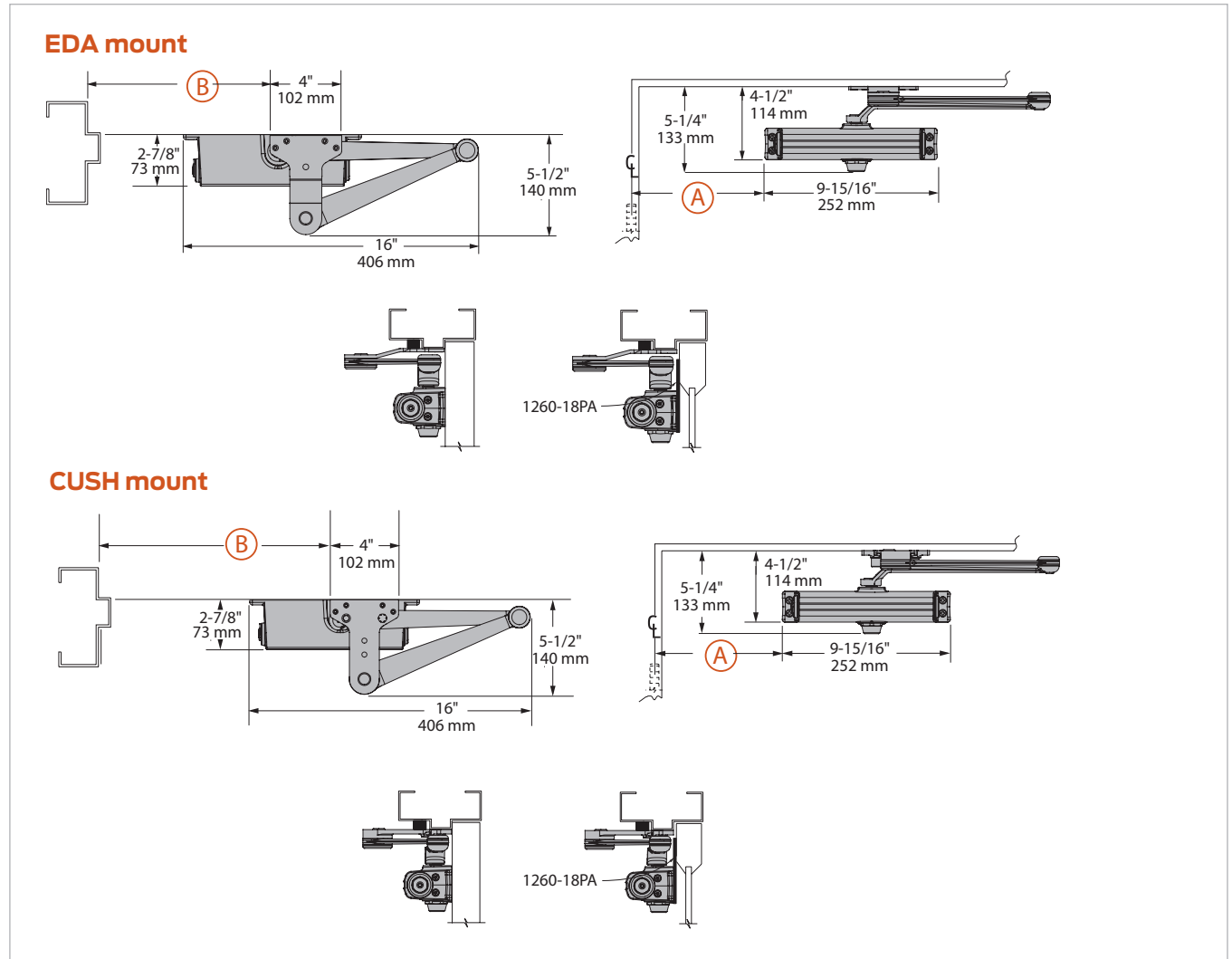
Butt hinges	Should not exceed 5" (127 mm) in width
Auxiliary stop	Recommended at hold open point, where a door cannot swing 180°, or where Cush-n-Stop Arm is not used
Top rail	Less than 4 3/8" (111 mm) measured from the stop requires plate, 1260-18PA
Clearance	1260-62PA shoe projects 4" (102 mm) from door face
Stop width	Minimum 1" (25 mm)
Blade stop	Clearance, requires 1/2" (13 mm) blade stop spacer, 1260-61
Auxiliary shoe	1260-62A allows installation of regular arm with overhead holder/stop. Special templating required
Maximum opening	Regular or Hold Open Arm can be templated to 100°: A = 7 3/16" (183 mm) B = 8 5/8" (219 mm) or 101° to 130°: A = 5 11/16" (144 mm) B = 7 1/8" (181 mm) or *131° to 180°: A = 3 11/16" (94 mm) B = 5 1/8" (130 mm)

Note: Hold open points up to maximum opening with Hold Open Arm. Optional mounting requires PA shoe, 1260-62PA for Regular and Hold Open Arms. 1260 Parallel Arm closer includes 1260-201 fifth hole spacer to support PA shoe.

* Frame and trim permitting.

Mounting details

EDA and Cush-n-Stop mounting



Clearance	1260-62EDA or CUSH shoe projects 5 1/2" (140 mm) from door face	
Head frame	Flush or rabbeted requires CUSH flush panel adapter, 1260-419	
EDA or CUSH ARM	Requires shoe support, 1260-30 for fifth screw anchorage where reveal is less than 3 1/16" (78 mm)	
Maximum opening	EDA template allows 120°. Hold open point up to maximum opening	CUSH arms can be templated for maximum opening/hold open point at
	90°: A = 4 13/16" (122 mm) B = 9 1/2" (241 mm)	85°: A = 5 5/16" (135 mm) B = 10" (254 mm)
	or 120°: A = 3 5/16" (84 mm) B = 8" (203 mm)	90°: A = 4 11/16" (119 mm) B = 9 3/8" (238 mm)
	Hold open points up to maximum opening with HEDA arm	100°: A = 3 9/16" (90 mm) B = 8 1/4" (210 mm)
		110°: A = 2 13/16" (71 mm) B = 7 1/2" (191 mm)

Note: 1260 closers ordered with EDA, CUSH or SCUSH arms include 1260-201 fifth hole spacer to support the shoe.

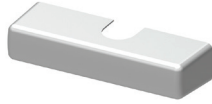
Accessories

Cylinders


1261(2)(3)(4)(5)-3071
Cast iron cylinder assembly (CYL)

- Non-handed
- Standard

Covers

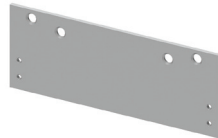

1260-72
Slim line plastic cover (SLIMPC)

- Non-handed
- Optional

Installation accessories


1260-18
Plate

- Required for hinge side mount where top rail is less than 2 1/2" (64 mm)
- Required for top jamb mounting where head frame is less than 1 3/4" (44 mm) or flush ceiling condition exists
- Requires minimum 1 1/2" (38 mm) minimum top rail or 1 1/4" (32 mm) head frame


1260-18PA
Plate

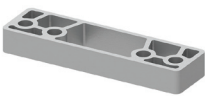
- Required for parallel arm mounting where top rail is less than 4 3/8" (111 mm), measured from the stop
- Requires 1 3/4" (44 mm) minimum top rail


1260-18QF
Quick Fix™ bracket kit

- Optional kit includes retro-fit mounting plates for 1371 closer cylinder and shoe
- Useful in applications when previously drilled holes are damaged


1260-30
CUSH shoe support

- Provide anchorage for fifth screw used with CUSH arms where reveal is less than 3 1/16" (78 mm)


1260-61
Blade stop spacer

- Lowers parallel arm shoe to clear 1/2" (13 mm) blade stop


1260-62A
Auxiliary shoe

- Requires a top rail of 7" (178 mm)
- Optional shoe replaces -62PA for parallel arm mounting of regular arm with overhead holder/stop


1260-419
PA flush panel adapter

- Provides horizontal mounting surface for PA, EDA or CUSH shoe on single rabbeted or flush frame


1260-62PA
PA shoe

- Required for parallel arm mounting

Accessories

Arms



**1260-3077
Regular Arm with Parallel Arm
Bracket (RWPA)**

- Non-handed
- Mounts hinge side or top jamb
- Parallel arm includes PA shoe, 1260-62PA required for parallel arm mounting



**1260-3077L
Long Arm (LONG)**

- Non-handed
- Includes long rod and shoe, 1260-79LR for top jamb mount with deep reveals
- Optional



**1260-3049
Hold Open Arm (H)**

- Non-handed
- Mounts hinge side, top jamb or parallel arm (62PA required)
- Hold open adjustable at shoe
- Optional



**1260-3049L
Hold Open Long Arm
(HLONG)**

- Non-handed
- Includes long head and tube, 1260-3048L for top jamb mount with deep reveals
- Optional



**1260-3077EDA
Extra Duty Arm (EDA)**

- Non-handed
- Features solid forged steel main and forearm for potentially abusive installations
- Optional 1260-3077EDA/G for blade stop clearance



**1260-3077EDA/62G
Extra Duty Arm with 62G
Thick Hub Shoe (EDAW62G)**

- Non-handed
- Features solid forged steel main and forearm for potentially abusive installations



**1260-3049EDA
Hold Open Extra Duty Arm
(HEDA)**

- Handed
- Provides hold open function adjustable at shoe
- Optional



**1260-3077CNS
Cush-n-Stop Arm (CUSH)**

- Non-handed
- Features solid forged steel main arm and forearm with stop in soffit shoe
- Optional



**1260-3049CNS
Hold Open Cush-n-Stop
Arm (HCUSH)**

- Non-handed
- Provides hold open function with templated stop/hold open points
- Handle controls hold open function
- Optional



**1260-3077SCNS
Spring Cush-n-Stop Arm
(SCUSH)**

- Non-handed
- For abusive applications features solid forged steel main arm and forearm with spring loaded stop in the soffit shoe
- Optional



**1260-3049SCNS
Spring Hold Open Cush-n-Stop
Arm (SHCUSH)**

- Non-handed
- For abusive applications features solid forged steel main arm and forearm with spring loaded stop in the soffit shoe
- Handle controls hold open function
- Optional

Ordering information

How-to-order 1260 Series closers

1. Select finish

- Standard powder coat _____
Aluminum (689), Dark Bronze (695),
Statuary Bronze (690), Light Bronze (691),
Black (693), Brass (696).

Closer options

Cover

- Slim line plastic cover (SLIMPC)

Finish

- Custom Powder Coat (RAL) _____
- SRI primer (for use with powder coat finishes only)

Arm

- Regular Arm with Parallel Arm Bracket (RWPA)
- Long Arm (LONG)
- Regular Arm with 62A Auxiliary Shoe (RW62A)
- Hold Open Arm (H)
- Hold Open with Parallel Arm Bracket (HWPB)
- Hold Open Long Arm (HLONG)
- Extra Duty Arm (EDA) (optional -62G)
- Hold Open Extra Duty Arm (HEDA) -
specify handing (optional -62G)
- Cush-n-Stop Arm (CUSH)
- Hold Open Cush-n-Stop Arm (HCUSH)

Closer will be shipped with:

- Standard cylinder
- Regular arm
- Self reaming and tapping screws
(unless options listed below are selected)

Optional screw packs

- Through Bolt¹ Self Reaming and Tapping Screws (TBSRT)
- Wood and Machine Screws (WMS)
- Through Bolt¹ Wood and Machine Screws (TBWMS)
- Torx Machine Screws (TORX)
- Through Bolt¹ and Torx Machine Screw (TBTRX)

Installation accessories

- Plate, 1260-18
- Plate, 1260-18PA
- CUSH shoe support, 1260-30
- Blade stop spacer, 1260-61
- Auxiliary shoe, 1260-62A
- PA flush panel adapter, 1260-419
- Quick Fix™ bracket kit, 1260-18QF

Special template

- ST- _____

1. Specify door thickness if other than 1 3/4".

Table of sizes

- Select closer based on width of door.
- The spring power of a 1261 cylinder is field adjustable from size 1 through size 5 and is shipped adjusted to size 3.

Exterior (and vestibule) door width



Interior door width




→ Indicates recommended range of door width for closer size.
* Adjustable Size 1 thru 5.

Reduced opening force 1260 Series closers

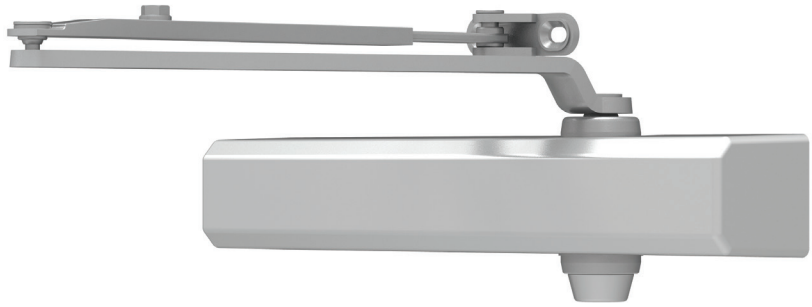
CAUTION! Any manual door closer, including those certified by BHMA to conform to ANSI Standard A156.4, that is selected, installed and adjusted based on ADA or other reduced opening force requirements may not provide sufficient power to reliably close and latch a door.

Refer to Automatic Operators catalog for information on systems that meet reduced opening force requirements without effecting closing power.

	Door width 36"	42"	48"
	8.5* lbs.	1261	1261
	5.0* lbs.	1261	1261

* Maximum opening force.

1450 Series



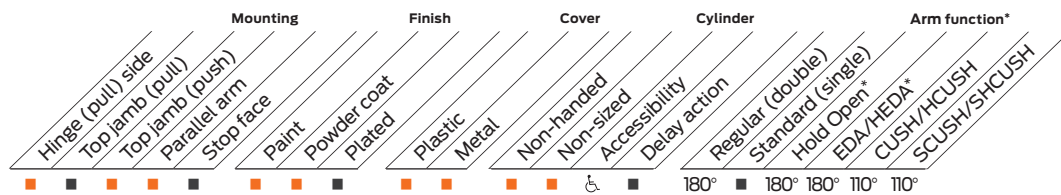
The 1450 Series cast aluminum closer was specially designed to deliver consistent, dependable, long-term performance in frequently-used, low-abusive traffic areas. With industry's most common hole pattern it can fit a range of applications like aftermarket replacement, aluminum storefronts and new construction projects.

Features

Certifications	Grade 1 - ANSI A156.4, UL 10C, ADA, 100 hour salt spray, meets BAA - Buy American Act	Cover	<ul style="list-style-type: none"> ▪ Slim line plastic, standard ▪ Full plastic and metal, optional
Body construction	<ul style="list-style-type: none"> ▪ Cast aluminum body ▪ Full complement bearing ▪ 1 1/4" diameter piston ▪ 5/8" diameter single heat treated pinion journal 	Fasteners	Universal screw pack (UNIV)
Fluid	All weather fluid	Mounting	Hinge (pull side), top jamb (push side), parallel arm (push side)
Handing	Non-handed	Arms	Standard regular pull side and top jamb
Templating	Peel-n-Stick templates - 3/4" x 12" mounting hole pattern	Finishes/colors/powder coat	<ul style="list-style-type: none"> ▪ 689 Aluminum ▪ 690 Statuary Bronze ▪ 691 Light Bronze ▪ 693 Black ▪ 695 Dark Bronze ▪ 696 Brass ▪ Custom colors optional ▪ Optional SRI primer - powder coat only
Size	Adjustable spring size 1-6		
Warranty	25 years		

Special templates

Customized installation templates or products may be available to solve non-standard applications. Contact LCN Product Support for assistance.

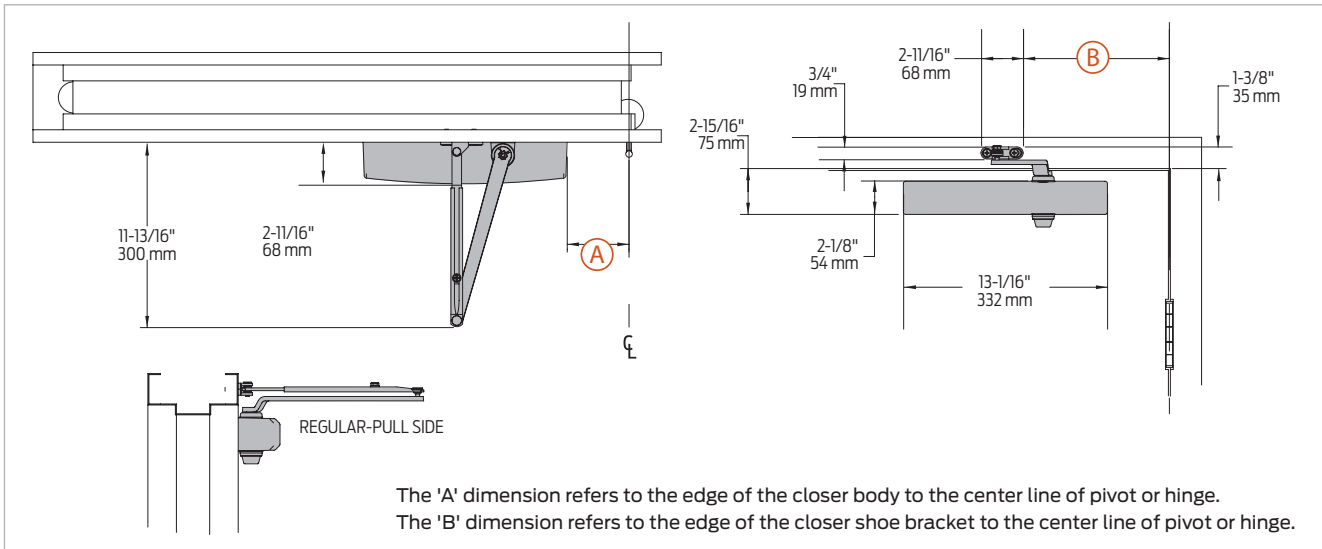


■ Available
■ Not available

Closer available with less than 5.0 lbs. opening force on 36" door.
 * Maximum opening/hold open point with standard template.
 D For designer series only

Mounting details

Hinge (pull side) mounting

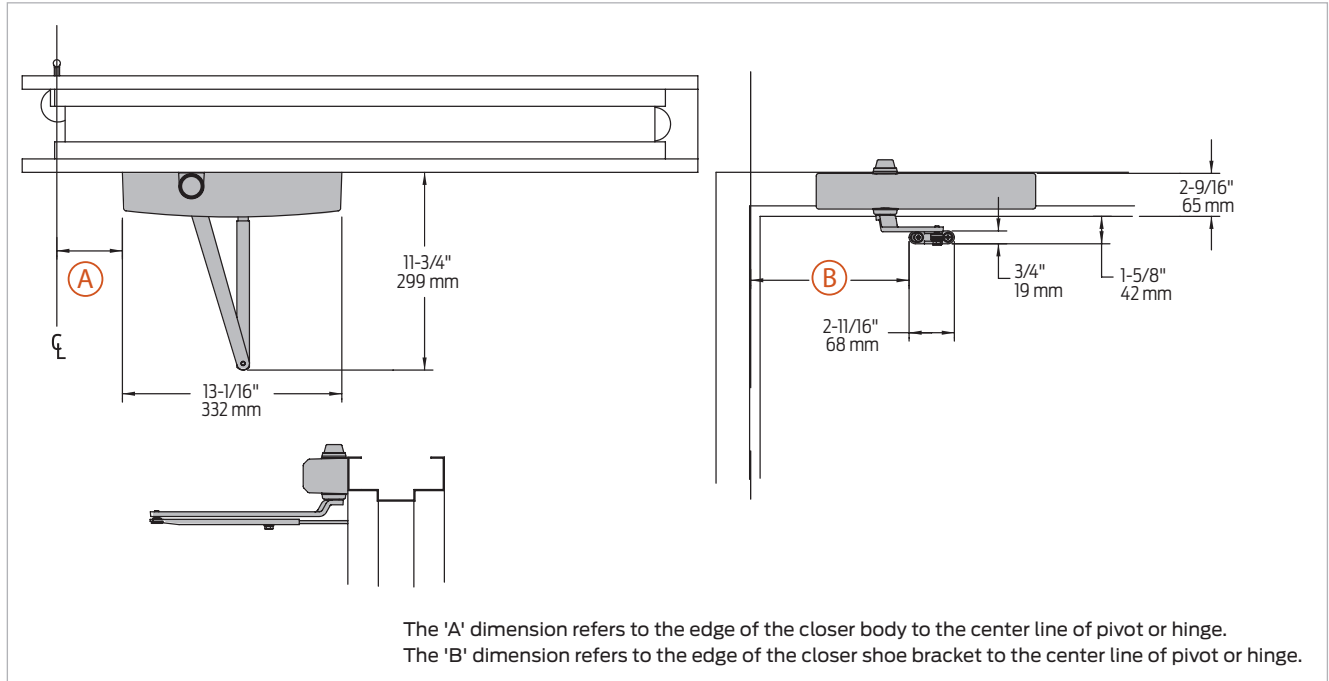


Butt hinges	Should not exceed 5" (127 mm) in width
Auxiliary stop	Recommended at hold open point or where a door cannot swing 180°
Reveal	Should not exceed 3/4" (19 mm) for regular arm or 1/2" (13 mm) for Hold Open Arm
Top rail	<ul style="list-style-type: none"> Less than 2 1/2" (64 mm) requires plate, 1450-18 With full cover, use plate, 1450-18FC. Plate requires 1 1/2" (38 mm) minimum
Clearance	2 3/8" (60 mm) behind door required for installation
Maximum opening	100°: A = 7" (102 mm) B = 12 3/8" (314 mm)
	101° to 130°: A = 5 1/2" (140 mm) B = 10 7/8" (276 mm)
	131° to 180°: A = 4" (140 mm) B = 9 3/8" (238 mm)

Note: Hold open points up to maximum opening with Hold Open Arm.
* Frame and trim permitting

Mounting details

Top jamb (push side) mounting

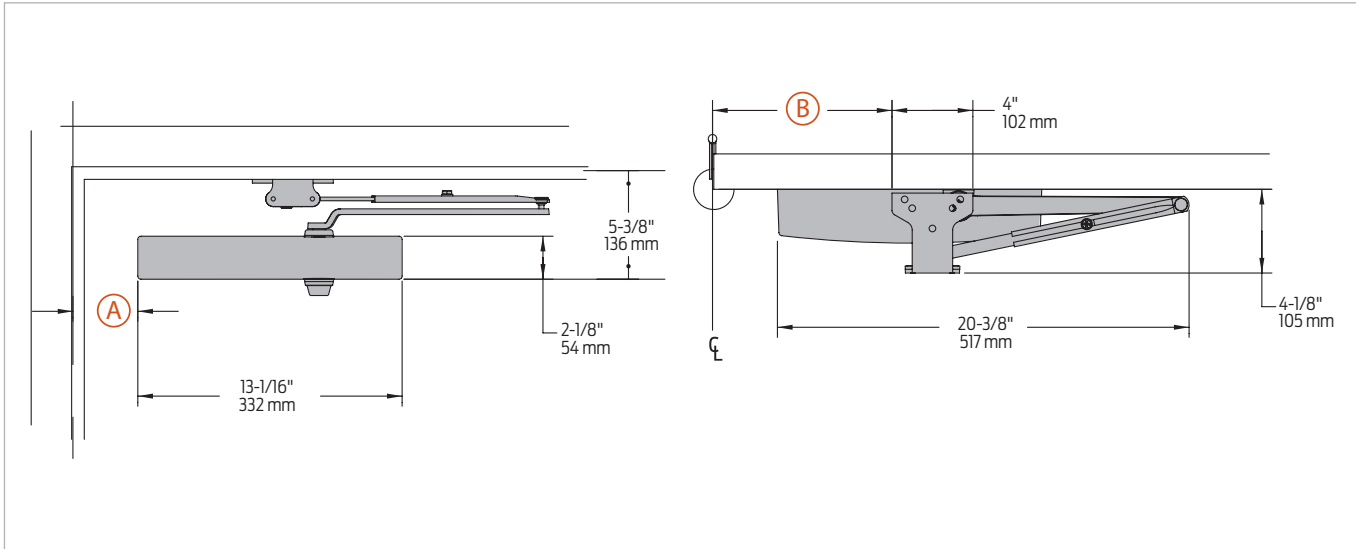


Butt hinges	Should not exceed 5" (127 mm) in width		
Auxiliary stop	Recommended at hold open point or where a door cannot swing 180°		
Reveal	Arm type	Reveal	Max opening
	Regular Arm	5"	Up to 170°
	Regular Arm	3 3/4"	Up to 180°
	Long Arm	8"	Up to 155°
	Hold Open Arm	2 3/4"	Up to 180°
	Hold Open Long Arm	4 7/8"	Up to 140°
Top rail	Requires 2 1/8" (54 mm) minimum. 3 3/8" (86 mm) minimum with closer on plate, 1450-18.		
Head frame	Less than 1 3/4" (44 mm) requires plate, 1450-18. For flush ceiling condition with 1 3/4" (45 mm) head frame, use plate, 1450-18		
Maximum opening	100°:	A=7" (102 mm) B = 12 3/8" (314 mm)	
	101° to 130°:	A = 5 1/2" (140 mm) B = 10 7/8" (276 mm)	
	131° to 180°:	A = 4" (102 mm) B = 9 3/8" (238 mm)	

Note: Hold open points up to maximum opening with Hold Open Arm.
 * Frame and trim permitting

Mounting details

Parallel arm (push side) mounting

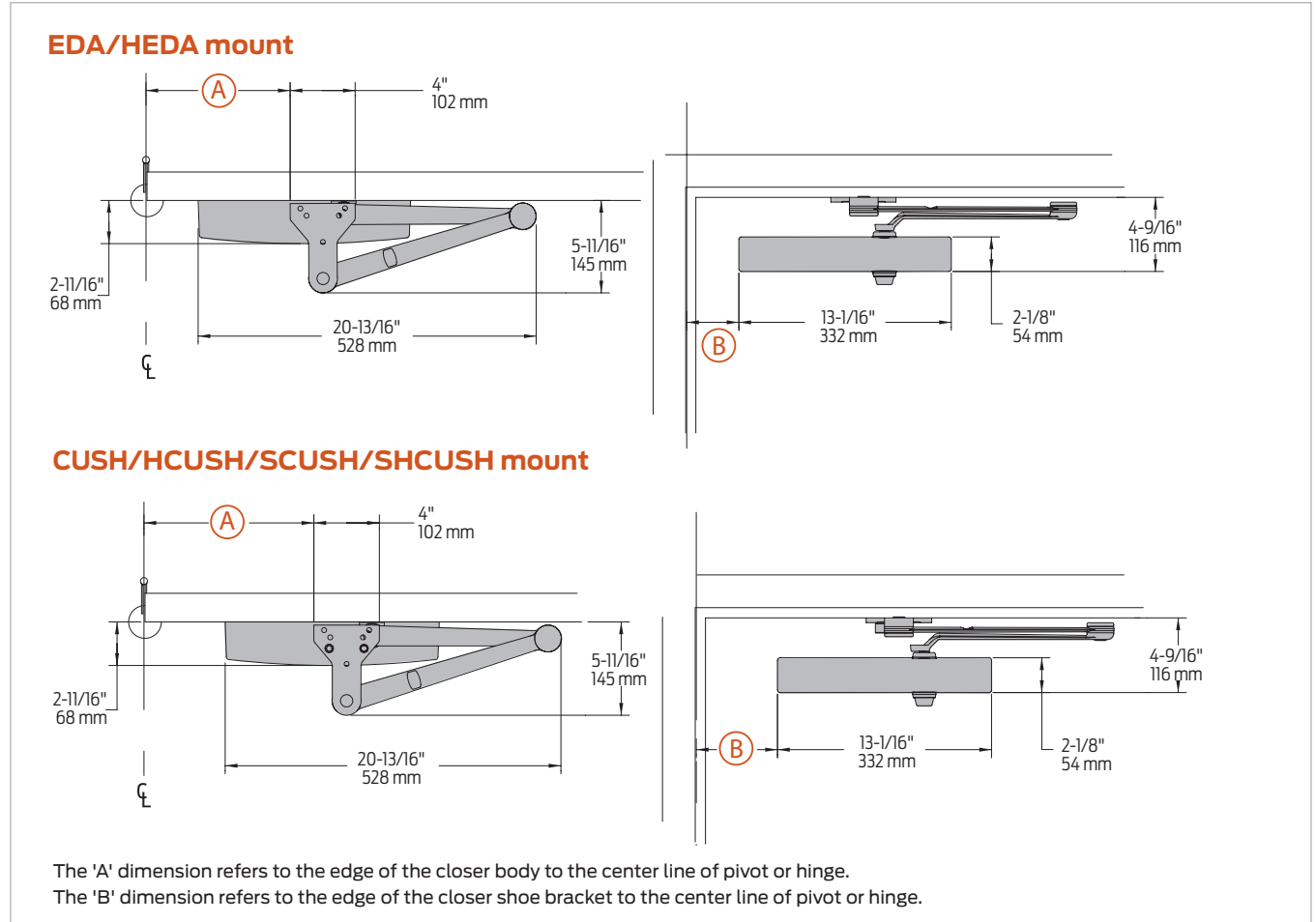


Butt hinges	Should not exceed 5" (127 mm) in width		
Auxiliary stop	Recommended at hold open point, where a door cannot swing 180°, or where Cush-n-Stop Arm is not used		
Top rail	<ul style="list-style-type: none"> Less than 5 1/4" (133 mm) measured from the soffit requires Plate requires 1 1/4" (32 mm) minimum. 		
	Cover	Minimum top rail (measured from soffit)	Plate required
	Plastic	3 1/2" (89 mm)	1450-18
		2 1/4" (57 mm)	1450-18PA
	Metal	3 1/2" (89 mm)	1450-18FC
		2 1/4" (57 mm)	1450-18PAFC
Clearance	1450-62PA shoe projects 4 1/8" (105 mm) from door face		
Head frame	Flush or single rabbeted requires PA shoe adapter, 1450-418		
Stop width	Minimum 1" (25 mm)		
Blade stop	Clearance, requires 1/2" (13 mm) blade stop spacer, 1450-61		
Auxiliary shoe	1450-62A allows installation of regular arm with overhead holder/stop		
Maximum opening	Regular or Hold Open Arm can be templated to		
	120°:	A = 3 3/16" (81 mm) B = 8 7/8" (225 mm)	
	121° to 180°:	A = 11/16" (17 mm) B = 6 3/8" (162 mm)	

Note: Note: Hold open points up to maximum opening with Hold Open Arm. PA shoe is included with RWPA Arm. 1450 closer includes 1450-201 fifth hole spacer to support PA shoe.

Mounting details

EDA and Cush-n-Stop mounting

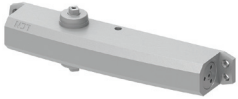


Clearance	1450-62EDA or CUSH shoe projects 5 11/16" (144mm) from door face	
Head frame	Flush or rabbeted requires CUSH flush panel adapter, 1450-419	
EDA or CUSH ARM	Requires soffit shoe support, 1450-30 for fifth screw anchorage where reveal is less than 3 1/16" (78 mm)	
SCUSH	Dead stop points are approximately 5° more than templated stop points	
Maximum opening	EDA template allows 110°. Hold open point up to maximum opening	CUSH arms can be templated for maximum opening/ hold open point at 85°
	120°: A = 8 7/8" (225 mm) B = 3 3/16" (81 mm)	85°: A = 10 3/8" (279 mm) B = 4 15/16" (140 mm)
	over 120°: A = 6 3/8" (162 mm) B = 1 1/16" (17 mm)	90°: A = 9 5/8" (244 mm) B = 4 3/16" (106 mm)
		95°: A = 8 7/8" (225 mm) B = 3 7/16" (87 mm)
		100°: A = 8 1/4" (210 mm) B = 2 13/16" (71 mm)
		105°: A = 7 5/8" (194 mm) B = 2 3/16" (56 mm)
		110°: A = 7" (178 mm) B = 1 9/16" (40 mm)

Note: 1450 closers ordered with EDA, CUSH or SCUSH Arms include 1450-201 fifth hole spacer to support the shoe.

Accessories

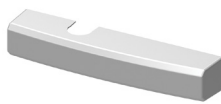
Cylinders



1450-3071
Cast aluminum cylinder
(CYL)

- Non-handed
- Standard

Covers



1450-72
Slim line plastic cover
(SLIMPC)

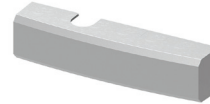
- Non-handed
- Standard



Left hand shown

1450-72MC
Metal Cover (MC)

- Handed
- Optional



1450-72FC
Full Plastic Cover (FPC)

- Non-handed
- Optional

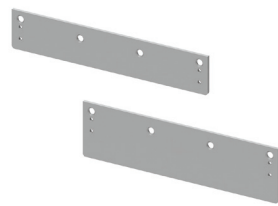
Alternate cover



1450-72ALT
Alternate cover

- Non-handed
- Optional, sold separately (not packed with closer)

Installation accessories



1450-18 / 1450-18FC
Plate

- Required for hinge side mount where top rail is less than 2 1/2" (64 mm)
- Required for top jamb mounting where head frame is less than 1 3/4" (44 mm) or flush ceiling condition exists
- Requires minimum 1 1/2" (38 mm) minimum top rail or 1 1/4" (32 mm) head frame
- With full cover, use plate 1450-18FC



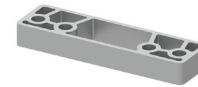
1450-18PA / 1450-18PAFC
Plate

- Required for parallel arm mounting where top rail is less than 4 3/8" (111mm), measured from the stop
- Requires 1 3/4" (44 mm) minimum top rail
- With full cover, use plate 1450-18PAFC



1450-30
CUSH shoe support

- Provide anchorage for fifth screw used with CUSH arms where reveal is less than 3 1/16" (78mm)



1450-61
Blade stop spacer

- Lowers parallel arm shoe to clear 1/2" (13 mm) blade stop



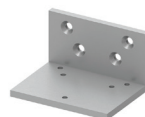
1450-62PA
PA shoe

- Required for parallel arm mounting



1450-62A
Auxiliary shoe

- Requires a top rail of 7" (178mm). Optional shoe replaces -62PA for parallel arm mounting of regular arm with overhead holder/stop



1450-419
PA flush panel adapter

- Provides horizontal mounting surface for PA, EDA or CUSH shoe on single rabbeted or flush frame

Accessories



1450-3077
Regular Arm with Parallel Arm Bracket (RWPA)

- Non-handed
- Mounts hinge side or top jamb
- Includes PA shoe, 1450-62PA required for parallel arm mounting



1450-3077L
Long Arm (LONG)

- Non-handed
- Includes long rod and shoe, 1450-79LR for top jamb mount with deep reveals
- Optional



1450-3049
Hold Open Arm with Parallel Arm Bracket (HWPB)

- Non-handed
- Mounts hinge side, top jamb or parallel arm (62PA required)
- Hold open adjustable at shoe
- Optional



1450-3049L
Hold Open Long Arm (HLONG)

- Non-handed
- Includes long head and tube, 1450-3048L for top jamb mount with deep reveals
- Optional



1450-3077EDA
Extra Duty Arm (EDA)

- Non-handed
- Features solid forged steel main and forearm for potentially abusive installations
- Optional 1450-3077EDA/G for blade stop clearance



1450-3077EDA/62G
Extra Duty Arm with 62G Thick Hub Shoe (EDAW62G)

- Non-handed
- Features solid forged steel main and forearm for potentially abusive installations
- Optional 1450-3077EDA/G for blade stop clearance



1450-3049EDA
Hold Open Extra Duty Arm (HEDA)

- Handed
- Provides hold open function adjustable at shoe
- Optional



1450-3077CNS
Cush-n-Stop Arm (CUSH)

- Non-handed
- Features solid forged steel main arm and forearm with stop in soffit shoe
- Optional



1450-3049CNS
Hold Open Cush-n-Stop Arm (HCUSH)

- Non-handed
- Provides hold-open function with templated stop/hold open points
- Handle controls hold open function
- Optional



1450-3077SCNS
Spring Cush-n-Stop Arm (SCUSH)

- Non-handed
- For abusive applications features solid forged steel main arm and forearm with spring loaded stop in the soffit shoe
- Optional



1450-3049SCNS
Spring Hold Open Cush-n-Stop Arm (SHCUSH)

- Non-handed
- For abusive applications features solid forged steel main arm and forearm with spring loaded stop in the soffit shoe
- Handle controls hold open function
- Optional

1450 Series

Ordering information

How-to-order 1450 Series closers

1. Select finish

- Standard powder coat _____
Aluminum (689), Dark Bronze (695),
Statuary Bronze (690), Light Bronze (691),
Black (693), Brass (696).

Closer options

Cover

- Full Plastic Cover (FPC)
 Metal Cover (MC)
 Alternate Cover (ALT) (sold separately
from product)

Finish

- Custom powder coat (RAL) _____
(metal cover required)
 SRI primer
(use with powder coat finishes only)

Arm

- Regular Arm with Parallel Arm Bracket
(RWPA)
 Long Arm (LONG)
 Regular Arm with 62A Auxiliary Shoe
(RW62A)
 Hold Open with Parallel Arm Bracket
(HWP)

- Hold Open Long Arm (HLONG)
 Extra Duty Arm (EDA) (optional
-62G)
 Hold Open Extra Duty Arm
(HEDA) - specify handing
 Cush-n-Stop Arm (CUSH)
 Hold Open Cush-n-Stop Arm
(HCUSH)
 Spring Cush-n-Stop Arm
(SCUSH)
 Spring Hold Open Cush-n-Stop
Arm (SHCUSH)

Optional screw packs

- Torx Machine Screw (TORX)
 Through Bolt¹ and Torx Machine
Screw (TBTRX)

Closer will be shipped with:

- Standard cylinder
- Standard cover
- Tripack arm (RWPA)
- Universal screw pack
(unless options listed below are selected)

Installation accessories

- Plate, 1450-18
 Plate, 1450-18FC
 Plate, 1450-18PA
 Plate, 1450-18PAFC
 CUSH Shoe Support, 1450-30
 Blade Stop Spacer, 1450-61
 Auxiliary Shoe, 1450-62A
 PA Flush Panel Adapter,
1450-419

Special template

- ST- _____

Meets Buy American Act

- BAA

1. Specify door thickness if other than 1 3/4".

Table of sizes

- Select closer based on width of door
- The spring power of a 1450 cylinder is field adjustable from size 1 through size 6 and is shipped adjusted to size 3

Exterior (and vestibule) door width

	24" 610mm	30" 762mm	36" 914mm	42" 1067mm	48" 1219mm
1450*	size 3	size 4	size 5	size 6	

Minimum door width

Interior door width

	24" 610mm	34" 864mm	38" 965mm	48" 1219mm	54" 1372mm	60" 1524mm
1450*	size 2	size 3	size 4	size 5	size 6	

Minimum door width


➔ Indicates recommended range of door width for closer size.

* Adjustable Size 1 thru 6.

Reduced opening force 1450 Series closers

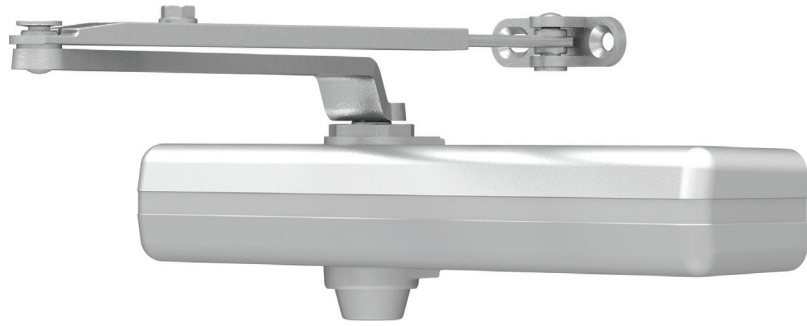
CAUTION! Any manual door closer, including those certified by BHMA to conform to ANSI Standard A156.4, that is selected, installed and adjusted based on ADA or other reduced opening force requirements may not provide sufficient power to reliably close and latch a door.

Refer to Automatic Operators catalog for information on systems that meet reduced opening force requirements without effecting closing power.

	Door width	36"	42"	48"
	8.5* lbs.	1450	1450	1450
5.0* lbs.	1450	1450	1450	

* Maximum opening force.

1460 Series



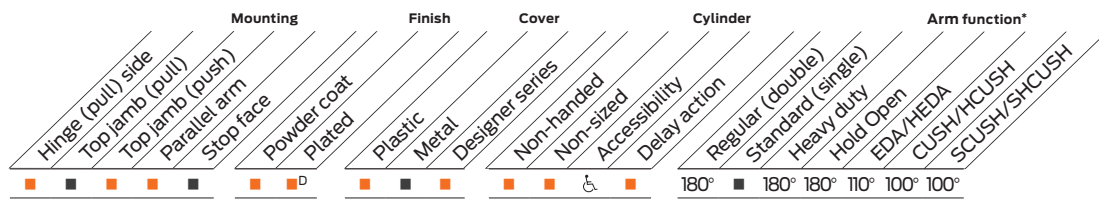
Designed for maximum versatility, the 1460, available with multiple cover options, can be used for both commercial and institutional applications. This fully universal closer offers a wide variety of options and fast and accurate installation.

Features

Certifications	Grade 1 - ANSI A156.4, UL 10C, ADA, 100 hour salt spray, meets BAA - Buy American Act	Cover	<ul style="list-style-type: none"> Slim line plastic, standard Full plastic and metal designer series, optional
Body construction	<ul style="list-style-type: none"> Cast iron body Full complement bearing 1 1/4" diameter piston 3/4" diameter single heat treated pinion journal 	Fasteners	Self reaming and tapping screws (SRT)
Fluid	All weather fluid	Mounting	Hinge (pull side), top jamb (push side), Parallel arm (push side)
Handing	Non-handed	Arms	Standard regular pull side, and top jamb
Templating	Peel-n-Stick templates - 1" x 7 1/2" mounting hole pattern	Finishes/colors/ powder coat	<ul style="list-style-type: none"> 689 Aluminum 690 Statuary Bronze 691 Light Bronze 693 Black 695 Dark Bronze 696 Brass Custom colors optional
Size	Adjustable Spring Size 1-6 (Includes patented Green Dial)		<ul style="list-style-type: none"> Optional SRI primer - powder coat only Optional plated finishes
Warranty	30 years		

Special templates

Customized installation templates or products may be available to solve non-standard applications. Contact LCN Product Support for assistance.

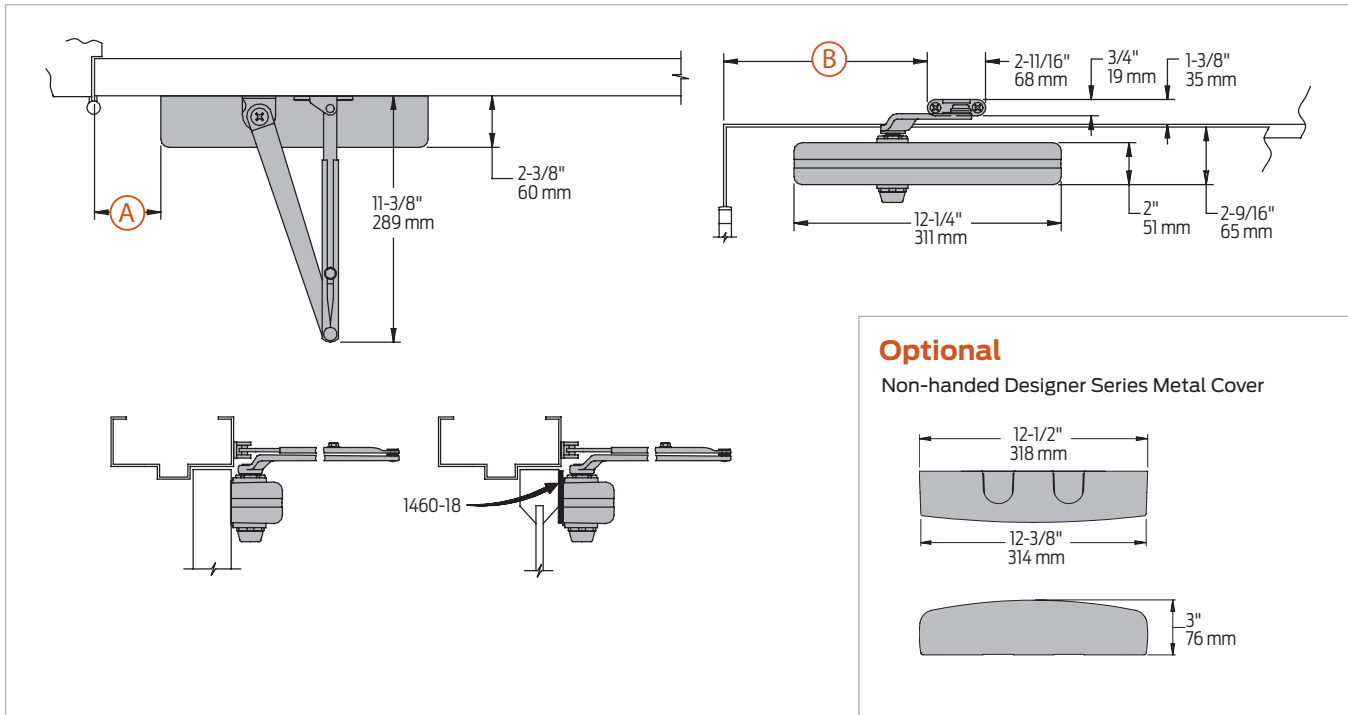


■ Available
■ Not available

Closer available with less than 5.0 lbs. opening force on 36" door.
 * Maximum opening/hold open point with standard template.
 D For designer series only

Mounting details

Hinge (pull side) mounting

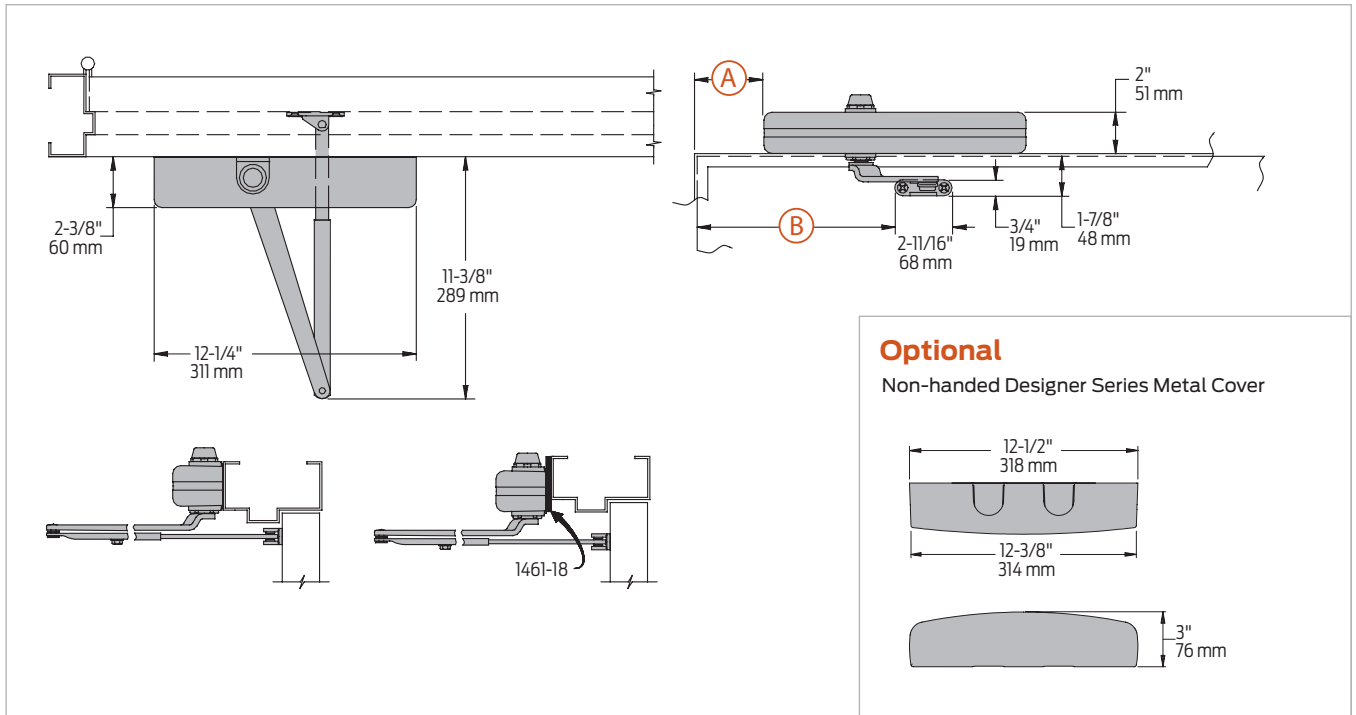


Butt hinges	Should not exceed 5" (127 mm) in width
Auxiliary stop	Recommended at hold open point or where a door cannot swing 180°
Reveal	Should not exceed 3/4" (19 mm) for regular arm or 1/2" (13 mm) for Hold Open Arm
Top rail	<ul style="list-style-type: none"> Less than 2 1/2" (64 mm) requires plate, 1460-18 With Full Plastic Cover, use plate, 1460-18FC. Plate requires 1 1/2" (38 mm) minimum With Designer Series Metal Cover, use plate, 1460-18DS1
Clearance	2 3/8" (60 mm) behind door required for installation
Delay action	<ul style="list-style-type: none"> Add suffix "CYLDEL" to selected cylinder Delays closing from: <ul style="list-style-type: none"> 110° to 65° (using 110° template) 160° to 75° (using 180° template) Delay time adjustable up to approximately 1 minute
Maximum opening	110°: A = 5 7/8" (149 mm) B = 10 7/8" (276 mm) <hr/> or *180° A = 2 7/8" (73 mm) B = 7 7/8" (200 mm)

Note: Hold open points up to maximum opening with Hold Open Arm.
 * Frame and trim permitting

Mounting details

Top jamb (push side) mounting



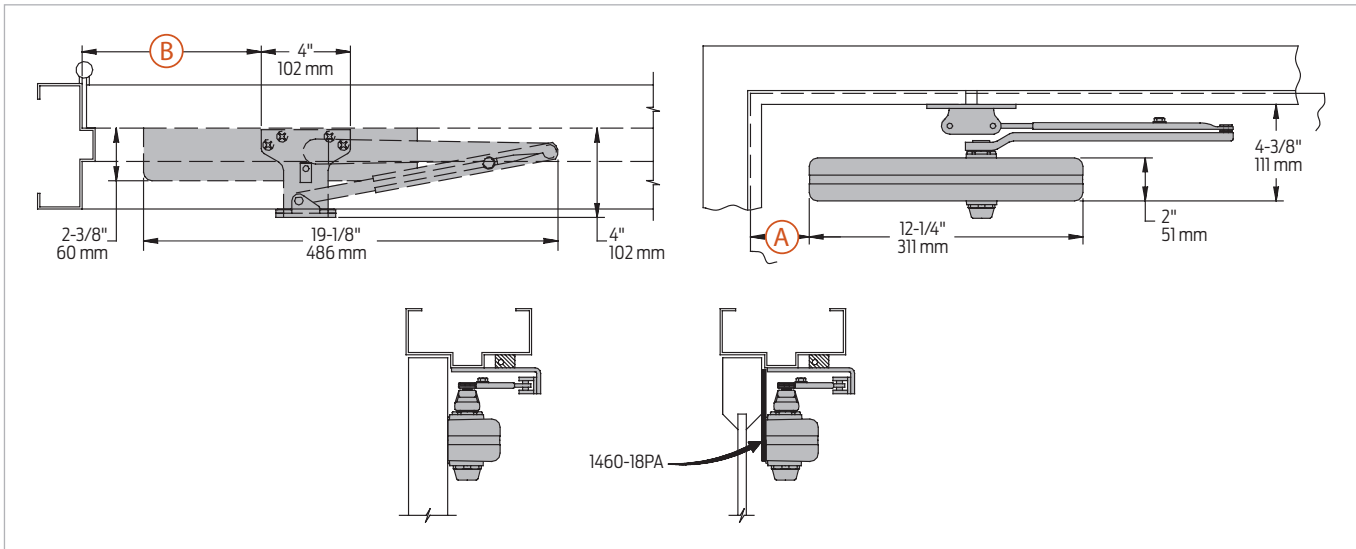
Optional
Non-handed Designer Series Metal Cover

Butt hinges	Should not exceed 5" (127 mm) in width		
Auxiliary stop	Recommended at hold open point or where a door cannot swing 180°		
Reveal	Arm type	Reveal	Max opening
	Regular Arm	4 7/8"	Up to 140°
	Regular Arm	3 1/2"	Up to 180°
	Long Arm	7"	Up to 140°
	Hold Open Arm	2 1/2"	Up to 180°
	Hold Open Long Arm	4 7/8"	Up to 140°
Top rail	Requires 1 7/8" (48 mm) minimum. 2 3/4" (70 mm) minimum with closer on plate, 1460-18		
Head frame	Less than 1 3/4" (44 mm) requires plate, 1460-18. For flush ceiling condition with 2" (51 mm) head frame, use plate, 1460-18		
Delay action	<ul style="list-style-type: none"> ▪ Add suffix "CYLDEL" to selected cylinder ▪ Delays closing: <ul style="list-style-type: none"> - 110° to 75° (using 110° template) - 180° to 95° (using 180° template) ▪ Delay time adjustable up to approximately 1 minute. 		
Maximum opening	110°:	A = 6 3/4" (169 mm) B = 11 1/4" (286 mm)	
	101° to 120°:	A = 3" (76 mm) B = 7 1/2" (191 mm)	

Note: Hold open points up to maximum opening with Hold Open Arm.
* Frame and trim permitting

Mounting details

Parallel arm (push side) mounting

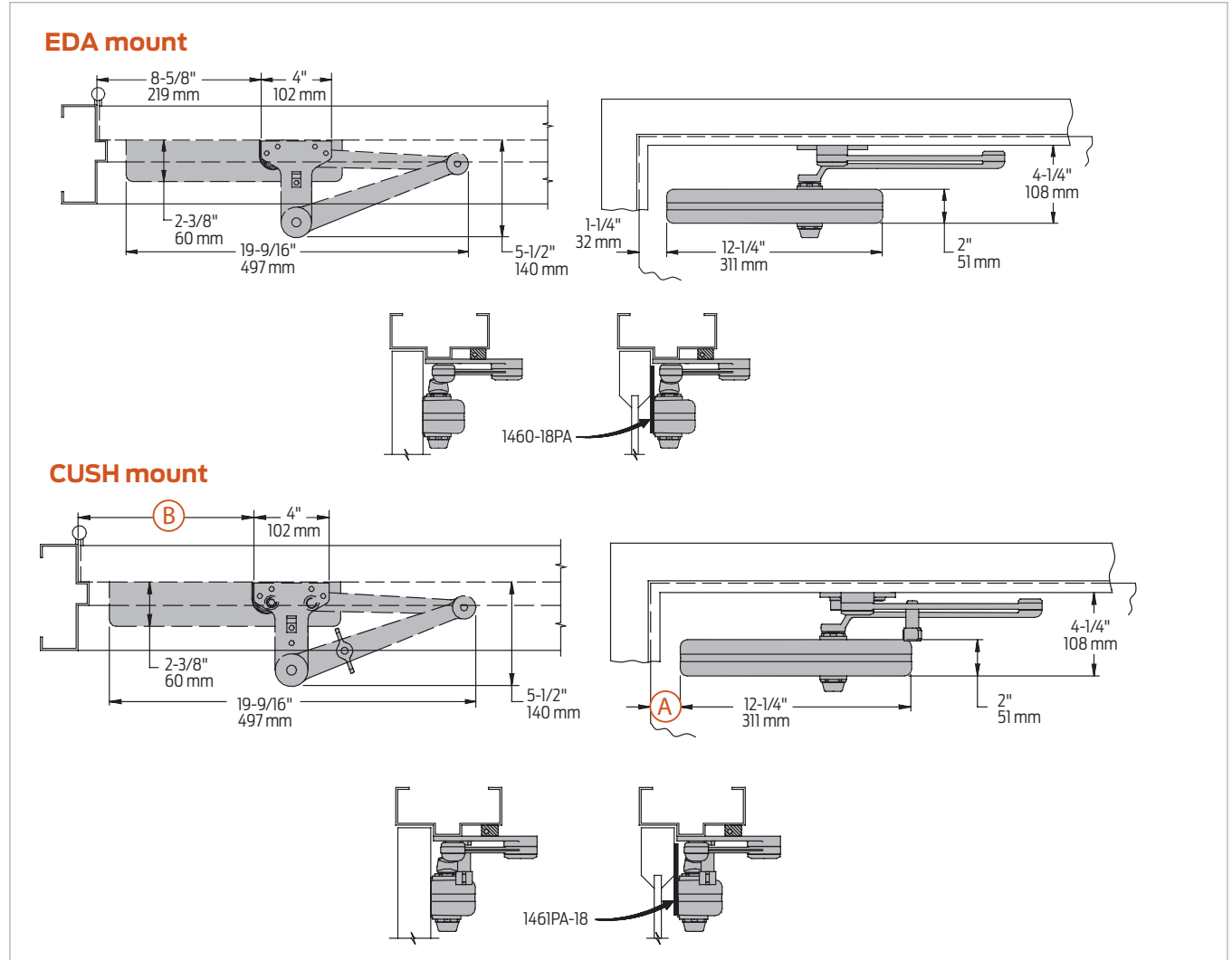


Butt hinges	Should not exceed 5" (127 mm) in width
Auxiliary stop	Recommended at hold open point, where a door cannot swing 180°, or where Cush-n-Stop Arm is not used
Top rail	<ul style="list-style-type: none"> Less than 4 3/8" (111 mm) measured from the stop requires plate, 1460-18PA. With Full Cover, use plate, 1460-18PAFC Plate requires 1 3/4" (44 mm) minimum. Plate requires 1 1/4" (32 mm) minimum With Designer Series Metal Cover, use plate, 1460-18PADS1
Clearance	1460-62PA shoe projects 4" (102 mm) from door face
Head frame	Flush or single rabbeted requires PA shoe adapter, 1460-419
Stop width	Minimum 1" (25 mm)
Blade stop	Clearance, requires 1/2" (13 mm) blade stop spacer, 1460-61
Auxiliary shoe	<ul style="list-style-type: none"> 1460-62A allows installation of regular arm with overhead holder/stop Special templating required
Delay action	<ul style="list-style-type: none"> Add suffix "CYLDEL" to selected cylinder Delays closing from maximum opening to approximately 75° Delay time adjustable up to approximately 1 minute
Maximum opening	Regular or Hold Open Arm can be templated to 100°: A = 4 1/4" (108 mm) B = 9 1/4" (235 mm) or 180°: A = 1 3/4" (44 mm) B = 6 3/4" (171 mm)

Notes: Hold open points up to maximum opening with Hold Open Arm. Optional mounting requires PA shoe, 1460-62PA for Regular or Hold Open Arms. Add prefix "P" to closer description (e.g. P1460). P1460 closer includes 1460-201 fifth hole spacer to support PA shoe.

Mounting details

EDA and CUSH mounting



SCUSH	Hold open points are approximately 5° less than dead stop point	
Clearance	1460-62EDA or CUSH shoe projects 5 1/2" (140 mm) from door face	
Head frame	Flush or rabbeted requires PA flush panel adapter, 1460-419	
EDA or CUSH Arm	Requires shoe support, 1460-30 for fifth screw anchorage where reveal is less than 3 1/16" (78 mm)	
Maximum opening	EDA template allows 110°	CUSH arms can be templated for maximum opening/hold open point at
	Hold open point up to maximum opening	
		85°: A = 2 3/8" (60 mm) B = 9 9/16" (243 mm)
		90°: A = 1 5/8" (41 mm) B = 9 1/16" (230 mm)
	100°: A = 5/8" (16 mm) B = 8 1/16" (205 mm)	

Note: 1460 closers ordered with EDA, CUSH or SCUSH Arms include 1460-201 fifth hole spacer to support the shoe.

1460 Series

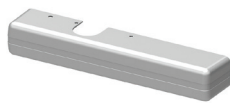
Accessories

Cylinders

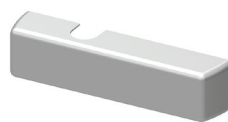

1461-3071
Cast iron cylinder assembly (CYL)

- Non-handed
- Standard

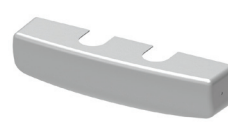
Covers


1460-72
Slim line plastic cover (SLIMPC)

- Non-handed
- Standard


1460-72FC
Full Plastic Cover (FPC)

- Non-handed
- Optional


1460-72DS
Designer Series Metal Cover (DS)

- Non-handed
- Provides complete enclosure with a stylish look
- Required for plating and custom powder coat option
- Optional

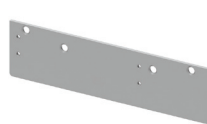
Installation accessories


1460-18
Plate

- Required for hinge side mount where top rail is less than 2 1/2" (64 mm)
- Required for top jamb mounting where head frame is less than 1 3/4" (44 mm) or flush ceiling condition exists
- Requires 1 1/2" (38 mm) minimum top rail or 1 1/4" (32 mm) head frame


1460-18DS1
Plate

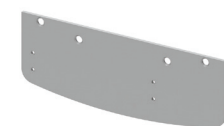
- Required for hinge side mount where top rail is less than 2 1/2" (64 mm)
- Requires 1 1/2" (38 mm) minimum top rail or 1 1/4" (32 mm) head frame
- For use with Designer Series Metal Cover
- Will not work in top jamb application


1460-18FC
Plate

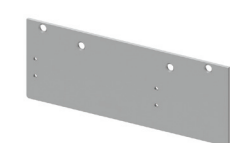
- Required for hinge side mount where top rail is less than 2 1/2" (64 mm)
- Requires minimum 1 1/2" (38 mm) minimum top rail or 1 1/4" (32 mm) head frame
- For use with full cover
- Will not work in top jamb application


1460-18PA
Plate

- Required for parallel arm mounting where top rail is less than 4 3/8" (111 mm), measured from the stop
- Requires 1 3/4" (44 mm) minimum top rail


1460-18PADS1
Plate

- Required for parallel arm mounting where top rail is less than 4 3/8" (111 mm), measured from the stop
- Requires 1 3/4" (44 mm) minimum top rail
- For use with Designer Series Metal Cover


1460-18PAFC
Plate

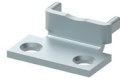
- Required for parallel arm mounting where top rail is less than 4 3/8" (111 mm), measured from the stop
- Requires 1 3/4" (44 mm) minimum top rail
- For use with full cover

Accessories

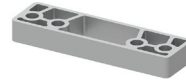
Installation accessories



- 1460-30**
Cush shoe support
- Provide anchorage for fifth screw used with CUSH arm where reveal is less than 3 1/16" (78 mm)



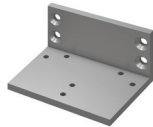
- 1460-30A**
Mounting bracket
- Bracket to be used when installing cylinder body
 - Included with cylinder when ordered



- 1460-61**
Blade stop spacer
- Lowers parallel arm shoe to clear 1/2" (13 mm) blade stop



- 1460-62A**
Auxiliary shoe
- Requires a top rail of 7" (178 mm)
 - Optional shoe replaces -62PA for parallel arm mounting of regular arm with overhead holder/stop



- 1460-419**
PA flush panel adapter
- Provides horizontal mounting surface for PA, EDA, or CUSH shoe on single rabbeted or flush frame



- 1460-62PA**
PA shoe
- Required for parallel arm mounting

Arms



- 1460-3077**
Regular Arm (REGARM)
- Non-handed
 - Mounts hinge side or top jamb
 - P1460 closer includes PA shoe, 1460-62PA required for parallel arm mounting



- 1460-3077L**
Long Arm (LONG)
- Non-handed
 - Includes long rod and shoe, 1460-79LR for top jamb mount with deep reveals
 - Optional



- 1460-3077HD**
Heavy Duty Arm (HD)
- Non-handed
 - Mounts hinge side, top jamb or parallel arm
 - Optional



- 1460-3077HDL**
Heavy Duty Long Arm (HDLONG)
- Non-handed
 - Includes long rod and shoe, 1460-79LR for top jamb mounts with deep reveals
 - Optional

1460 Series

Accessories

Arms

**1460-3049****Hold Open Arm (H)**

- Non-handed
- Mounts hinge side, top jamb or parallel arm (62PA required)
- Hold-open adjustable at shoe
- Optional

**1460-3049L****Hold Open Long Arm (HLONG)**

- Non-handed
- Includes long head and tube, 1460-3048L for top jamb mount with deep reveals
- Optional

**1460-3077EDA****Extra Duty Arm (EDA)**

- Non-handed
- Features solid forged steel main and forearm for potentially abusive installations
- Optional 1460-3077EDA/62G for blade stop clearance

**1460-3077EDA/62G****Extra Duty Arm with 62G Thick Hub Shoe (EDAW62G)**

- Non-handed
- Features solid forged steel main and forearm for potentially abusive installations

**1460-3049EDA****Hold Open Extra Duty Arm (HEDA)**

- Handed
- Provides hold open function adjustable at shoe
- Optional

**1460-3077CNS****Cush-n-Stop Arm (CUSH)**

- Non-handed
- Features solid forged steel main arm and forearm with stop in soffit shoe
- Optional

**1460-3049CNS****Hold Cush-n-Stop Arm (HCUSH)**

- Non-handed
- Provides hold open function with templated stop/hold open points
- Handle controls hold open function
- Optional

**1460-3077SCNS****Spring Cush-n-Stop Arm (SCUSH)**

- Non-handed
- For abusive applications features solid forged steel main arm and forearm with spring loaded stop in the soffit shoe
- Optional

**1460-3049SHCNS****Spring Hold Open Cush-n-Stop Arm (SHCUSH)**

- Non-handed
- For abusive applications features solid forged steel main arm and forearm with spring loaded stop in the soffit shoe
- Handle controls hold open function
- Optional

Ordering information

How-to-order 1460 Series closers

1. Select finish

- Standard powder coat _____
Aluminum (689), Dark Bronze (695), Statuary Bronze (690), Light Bronze (691), Black (693), Brass (696).

Closer options

Cylinder

- Delay Action Cylinder (CYLDEL)

Cover

- Full Plastic Cover (FPC)
- Designer Series Metal Cover (DS)

Finish

- Custom powder coat (RAL) _____
(DS cover required)
- Plated finish, _____
(DS cover required)
- SRI primer
(use with powder coat finishes only)

Arm

- Regular Arm with Parallel Arm Bracket (RWPA)
- Long Arm (LONG)
- Regular Arm with 62A Auxiliary Shoe (RW62A)
- Hold Open Arm (H)
- Hold Open with Parallel Arm Bracket (HWP)

- Hold Open Long Arm (HLONG)
- Heavy Duty Arm (HD)
- Heavy Duty with 62A Auxiliary Shoe (HD62A)
- Heavy Duty with Parallel Arm Bracket (HDPA)
- Heavy Duty Long Arm (HDLONG)
- Extra Duty Arm (EDA) (optional -62G)
- Hold Open Extra Duty (HEDA)
- (specify handing), (optional -62G)
- Cush-n-Stop Arm (CUSH)
- Hold Open Cush-n-Stop Arm (HCUSH)
- Spring Cush-n-Stop Arm (SCUSH)
- Spring Hold Open Cush-n-Stop Arm (SHCUSH)

Optional screw packs

- Through Bolt¹ Self Reaming and Tapping Screws (TBSRT)
- Wood and Machine Screws (WMS)
- Through Bolt¹ Wood and Machine Screws (TBWMS)

Closer will be shipped with:

- Standard cylinder
- Standard cover
- Regular arm
- Self reaming and tapping screws
(unless options listed below are selected)

- Torx Machine Screws (TORX)
- Through Bolt¹ and Torx Machine Screws (TBTRX)

Installation accessories

- Plate, 1460-18
- Plate, 1460-18DS
- Plate, 1460-18FC
- Plate, 1460-18PA
- Plate, 1460-18PADS
- Plate, 1460-18PAFC
- CUSH Shoe Support, 1460-30
- Blade Stop Spacer, 1460-61
- Auxiliary Shoe, 1460-62A
- PA Flush Panel Adapter, 1460-419

Special template

- ST- _____

1. Specify door thickness if other than 1 3/4".

Table of sizes

- Select closer based on width of door
- The spring power of a 1461 cylinder is field adjustable from size 1 through size 6 and is shipped adjusted to size 3

Exterior (and vestibule) door width

24"	30"	36"	42"	48"
610mm	762mm	914mm	1067mm	1219mm



Interior door width

24"	34"	38"	48"	54"	60"
610mm	864mm	965mm	1219mm	1372mm	1524mm




➔ Indicates recommended range of door width for closer size.
* Adjustable Size 1 thru 5.

Reduced opening force 1460 Series closers

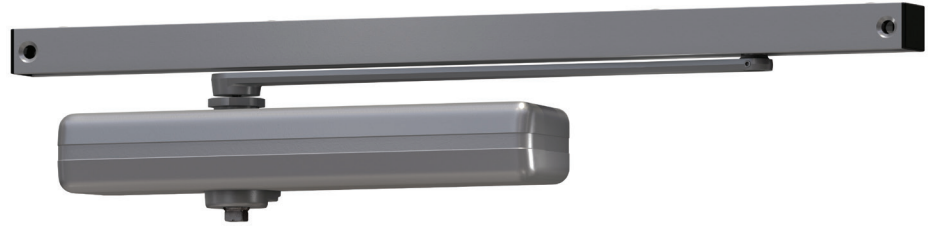
CAUTION! Any manual door closer, including those certified by BHMA to conform to ANSI Standard A156.4, that is selected, installed and adjusted based on ADA or other reduced opening force requirements may not provide sufficient power to reliably close and latch a door.

Refer to Automatic Operators catalog for information on systems that meet reduced opening force requirements without effecting closing power.

	Door width	36"	42"	48"
	8.5* lbs.	1461	1461	1461
5.0* lbs.	1461	1461	1461	

* Maximum opening force.

1460T Series



The 1460T is a fully universal slim line, single lever (track) arm closer designed for interior use on narrow head frames and top rails. The modern styling and small projection make it an excellent choice for interior doors.

Features

Certifications	Grade 1 - ANSI A156.4, UL 10C, ADA, 100 hour salt spray, meets BAA - Buy American Act	Cover	<ul style="list-style-type: none"> ▪ Slim line plastic cover, standard ▪ Full plastic or full metal designers series, optional
Body construction	<ul style="list-style-type: none"> ▪ Cast iron body ▪ Full complement bearing ▪ 1 1/4" diameter piston ▪ 5/8" diameter single heat treated pinion journal 	Fasteners	Self reaming and tapping screws (SRT)
Fluid	All weather fluid	Mounting	Hinge (pull side), top jamb (pull side), stop face (push side)
Handing	Non-handed	Arms	Single level with track roller
Templating	Peel-n-Stick templates - 1" x 7 1/2" mounting hole pattern	Finishes/colors/ powder coat	<ul style="list-style-type: none"> ▪ 689 Aluminum ▪ 690 Statuary Bronze ▪ 691 Light Bronze ▪ 693 Black ▪ 695 Dark Bronze ▪ 696 Brass ▪ Custom colors optional
Size	<ul style="list-style-type: none"> ▪ 1460T adjustable size 2-4 ▪ 1461T adjustable size 1-2 		<ul style="list-style-type: none"> ▪ Optional SRI primer - powder coat only ▪ Optional plated finishes
Warranty	30 years		

Special templates | Customized installation templates or products may be available to solve non-standard applications. Contact LCN Product Support for assistance.

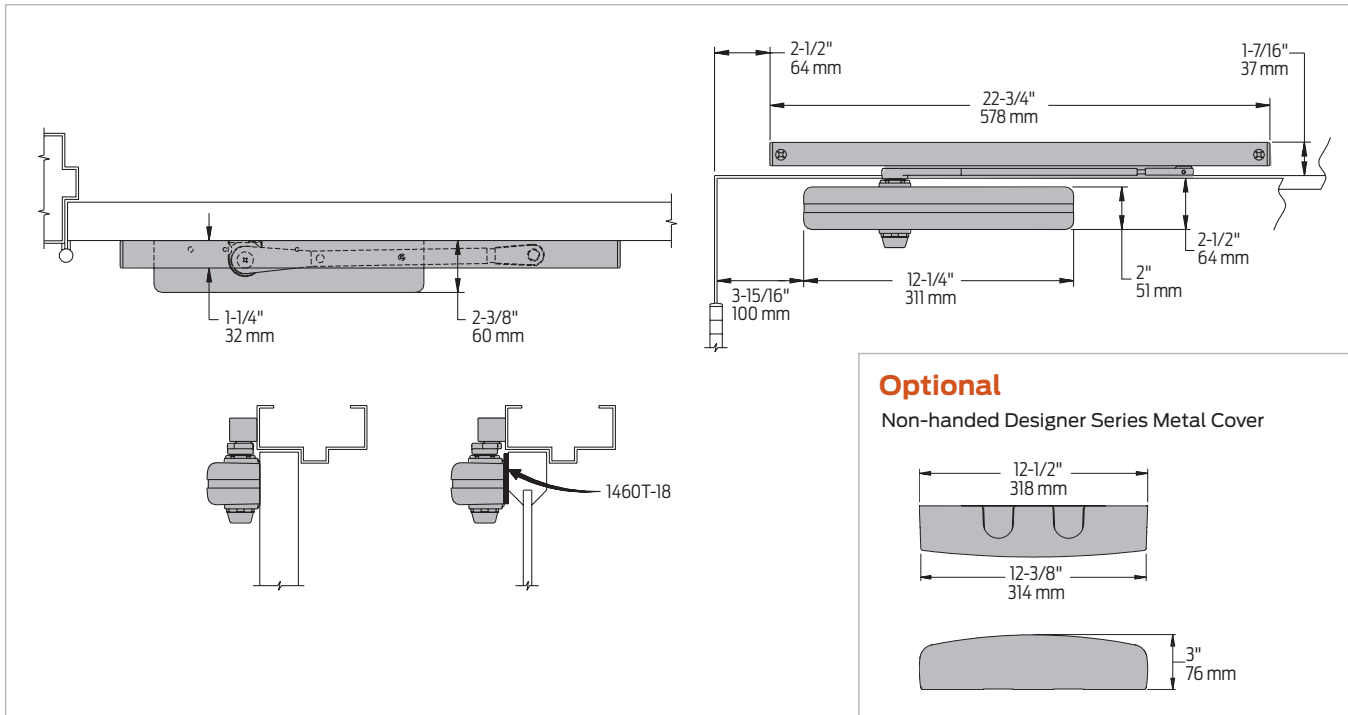
Mounting	Finish	Cover	Cylinder	Arm function*
Hinge (pull) side	Plastic	Designer series	Regular (double)	Hold Open
Top jamb (pull)	Metal	Non-handed	Standard (single)	EDA/HEDA
Top jamb (push)	Plated	Non-sized	Heavy duty	CUSH/HCLUSH
Parallel arm		Accessibility		SCUSH/SHCLUSH
Stop face		Delay action	180°	
Powder coat			115°	
Plated				

■ Available
■ Not available

♿ Closer available with less than 5.0 lbs. opening force on 36" door.
 * Maximum opening/hold open point with standard template.
 D For designer series only

Mounting details

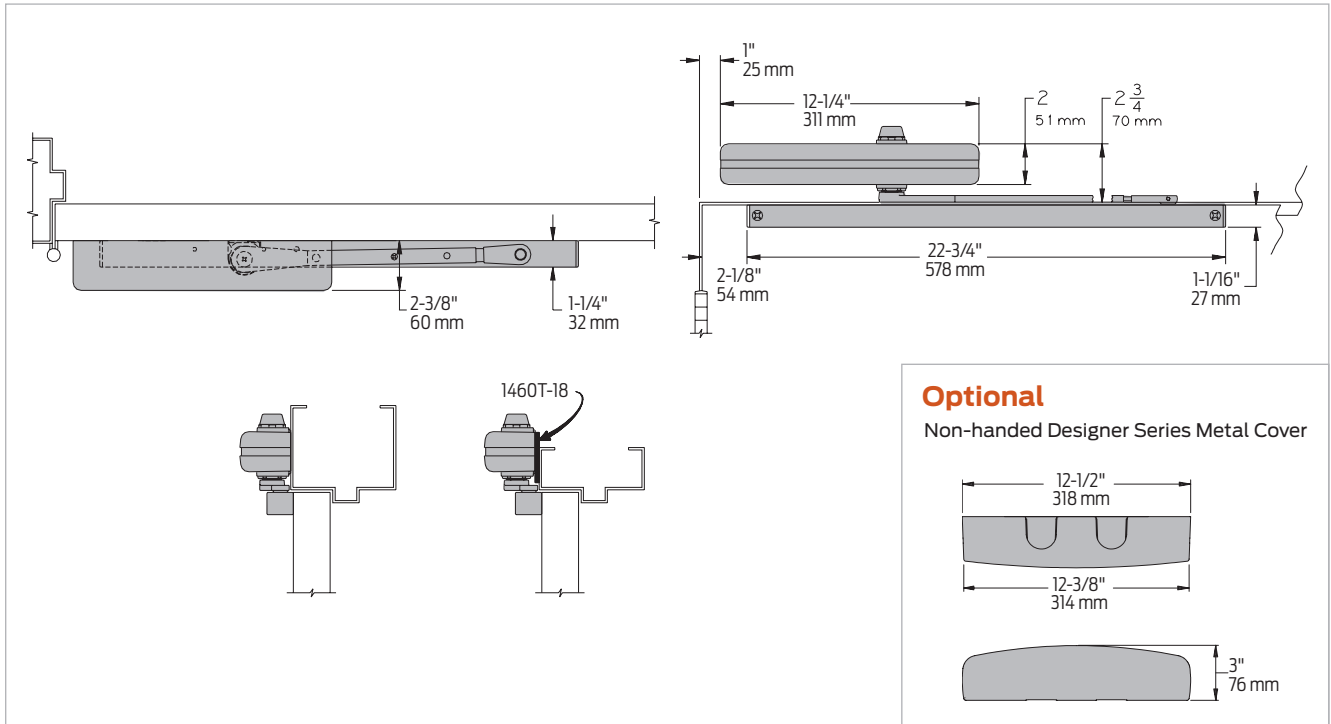
Hinge (pull side) mounting



Butt hinges	Should not exceed 5" (127 mm) in width
Auxiliary stop	<ul style="list-style-type: none"> Recommended where a door cannot swing 180° Optional track bumper assembly assists backcheck in cushioning the opening swing of the door. It is not intended to replace an auxiliary stop
Reveal	Should not exceed 1/8" (3 mm)
Top rail	<ul style="list-style-type: none"> Less than 2 1/2" (64 mm) requires plate, 1460T-18 Plate requires 1 1/2" (38 mm) minimum With Full Plastic Cover, use plate, 1460T-18FC With Designer Series Metal Cover, use plate, 1460T-18DS
Clearance	2 3/8" (60 mm) behind door required for installation
Maximum opening	<ul style="list-style-type: none"> Templating allows up to 180°, trim and frame permitting, limited to 115° when optional bumper is installed Hold open points at 85°, 90°, 95°, 100°, 110° or 115° with Hold Open Tracks Please note that many track style door closers are capable of allowing 180° of door swing Be aware that the majority of track style closers are at their weakest closing force in the 180°-130° range Consult factory for applications where door must swing 180°

Mounting details

Top jamb (pull side) mounting

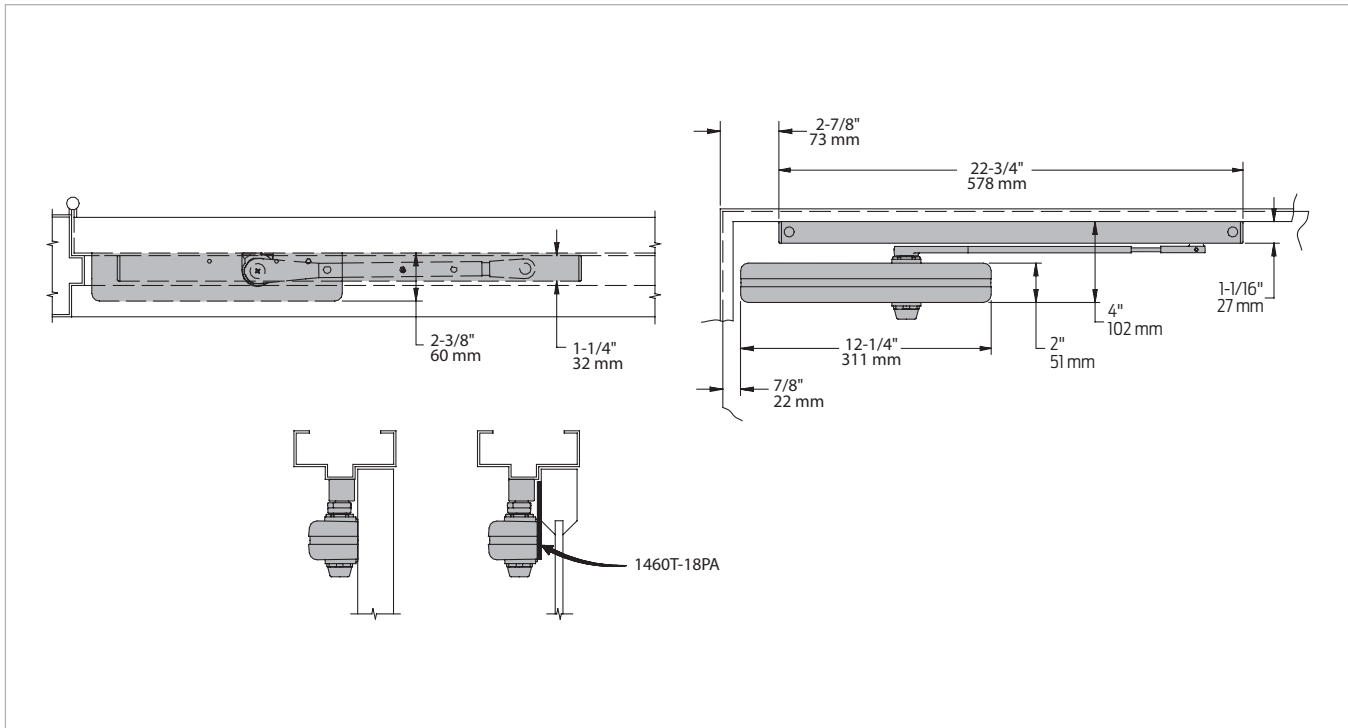


Optional
Non-handed Designer Series Metal Cover

Butt hinges	Should not exceed 5" (127 mm) in width
Auxiliary stop	<ul style="list-style-type: none"> Recommended where a door cannot swing 180° Track bumper assembly assists backcheck in cushioning the opening swing of the door. It is not intended to replace an auxiliary stop
Reveal	Should not exceed 1/8" (3 mm)
Top rail	Minimum 1 1/4" (32 mm)
Head frame	<ul style="list-style-type: none"> Less than 2 3/4" (70 mm) requires plate, 1460T-18 Plate requires 1 3/4" (44 mm) minimum With Full Plastic Cover, use plate, 1460T-18FC With Designer Series Metal Cover, use plate, 1460T-18DS
Clearance	1 1/4" (32 mm) behind door for installations
Maximum opening	<ul style="list-style-type: none"> Templating allows up to 180°, limited to 115° when optional bumper is installed Hold open ramp and roller design allows for variable angles Please note that many track style door closers are capable of allowing 180° of door swing Be aware that the majority of track style closers are at their weakest closing force in the 180° – 130° range Consult factory for applications where door must swing 180°

Mounting details

Stop face (push side) mounting



Butt hinges	Should not exceed 5" (127 mm) in width
Auxiliary stop	<ul style="list-style-type: none"> Recommended where a door cannot swing 110° Track bumper assembly assists backcheck in cushioning the opening swing of the door. It is not intended to replace an auxiliary stop
Top rail	<ul style="list-style-type: none"> Less than 4" (102 mm) measured from the stop face requires plate, 1460T-18PA. Plate requires 1 1/2" (38 mm) minimum With Full Plastic Cover, use plate, 1460T-18PAFC With Designer Series Metal Cover, use plate, 1460T-18PADS
Clearance	1460T projects 2 3/8" (60 mm) from door face
Stop width	Minimum 1 1/4" (32 mm)
Maximum opening	<ul style="list-style-type: none"> Templating allows 110°, limited to 100° when optional bumper is installed Variable hold open angles with infinite options

Accessories

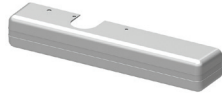
Cylinders



**1460(1)T-3071
Cast iron cylinder
assembly (CYL)**

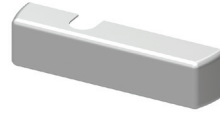
- Non-handed
- 1461T adjustable 1-2
- 1460T adjustable 2-4
- Standard

Covers



**1460T-72
Slim Line Plastic Cover
(SLIMPC)**

- Non-handed
- Standard



**1460T-72FC
Full Plastic Cover (FPC)**

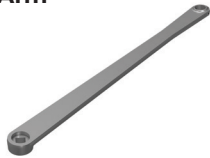
- Non-handed
- Optional



**1460T-72DS
Designer Series Metal Cover (DS)**

- Non-handed
- Required for plating option and custom powder coat finishes
- Optional

Arm



**1460T-3077T
Single Arm (STDTRKARM)**

- Non-handed
- Mounts hinge side, top jamb, or stop face
- Track roller not included with arm

Tracks



**1460T-3038
Standard Track (STDTRK)**

- Non-handed
- Non hold open
- Mounts on either side of the door
- Will accept hold open clip and/or bumper assembly
- Standard



**1460T-3038B
Track with Bumper (BUMP)**

- Non-handed
- Non hold open
- Mounts on either side of the door
- Will accept hold open clip
- Optional



**1460T-3038H
Hold Open Track (H)**

- Non-handed
- Hold open
- Mounts on either side of the door
- Will accept bumper assembly
- Optional



**1460T-3038HB
Hold Open Track with
Bumper (HBMP)**

- Non-handed
- Hold open
- Mounts on either side of the door
- Optional

1460T Series

Accessories

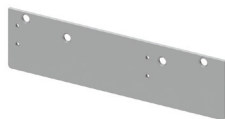
Installation accessories


**1460T-18
Plate**

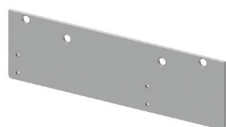
- Required for hinge side mount where top rail is less than 2 1/2" (64 mm)
- Required for top jamb mount when head frame is less than 2 3/4" (70 mm)
- Requires minimum 1 1/2" (38 mm) top rail or 1 3/4" (44 mm) head frame minimum


**1460T-18DS
Plate**

- Required for hinge side mount where top rail is less than 2 1/2" (64 mm)
- Required for top jamb mount when head frame is less than 2 3/4" (70 mm)
- Requires minimum 1 1/2" (38 mm) top rail or 1 3/4" (44 mm) head frame minimum
- For use with Designer Series Metal Cover


**1460T-18FC
Plate**

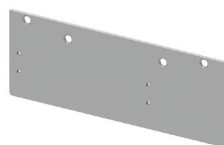
- Required for hinge side mount where top rail is less than 2 1/2" (64 mm)
- Required for top jamb mount when head frame is less than 2 3/4" (70 mm)
- Requires minimum 1 1/2" (38 mm) top rail or 1 3/4" (44 mm) head frame minimum
- For use with Full Cover


**1460T-18PA
Plate**

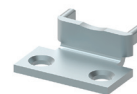
- Required for stop face mounting where top rail is less than 4" (102 mm), measured from the stop
- Requires 1 1/2" (38 mm) minimum top rail


**1460T-18PADS
Plate**

- Required for stop face mounting where top rail is less than 4" (102 mm), measured from the stop
- Requires 1 1/2" (38 mm) minimum top rail
- For use with Designer Series Metal Cover


**1460T-18PAFC
Plate**

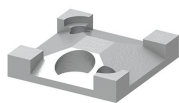
- Required for stop face mounting where top rail is less than 4" (102 mm), measured from the stop
- Requires 1 1/2" (38 mm) minimum top rail
- For use with Full Cover


**1460T-30A
Mounting bracket**

- Used when installing cylinder body
- Included with cylinder when ordered


**1460T-169
Track bumper**

- Mounts in track to assist backcheck, does not replace auxiliary stop
- Limits maximum opening
- Consists of bumper, bumper post, and mounting screw


**1460T-3054
Hold open clip**

- Mounts in track to provide hold open function
- Hold open point controlled by clip location


**1460T-3034
Track roller**

- Quiet, low friction roller assembly
- Shoulder dimension "X" = 1/8" (3 mm)


**1460T-3034H
Hold open track roller**

- Hold open roller
- Quiet, low friction roller assembly
- Shoulder dimension "X" = 1/8" (3 mm)
- Spring-loaded hold open mechanism

Ordering information

How-to-order 1460T Series closers

1. Select cylinder size

- 1461T (adjustable from size 1 to 2)
- 1460T (adjustable from size 2 to 4)

2. Select finish

- Standard powder coat _____
Aluminum (689), Dark Bronze (695),
Statuary Bronze (690), Light Bronze
(691), Black (693), Brass (696).

Closer will be shipped with:

- Standard cover
- Standard arm
- Standard track
- Track roller
- Self reaming and tapping machine screws
(unless options listed below are selected)

Closer options

Cover

- Full Plastic Cover (FPC)
- Designer Series Metal Cover (DS)

Finish

- Custom powder coat (RAL) _____
(DS cover required)
- Plated finish, _____ (DS cover required)
- SRI primer (use with powder coat finishes only)

Track

- Track with Bumper (BUMP)
- Hold Open Track (H)
- Hold Open Track with Bumper (HBMP)

Optional screw packs

- Through Bolt¹ Self Reaming And Tapping Screws (TBSRT)

- Wood and Machine Screws (WMS)
- Through Bolt¹ Wood and Machine Screws (TBWMS)
- Torx Machine Screws (TORX)
- Through Bolt¹ and Torx Machine Screws (TBTRX)

Installation accessories

- Plate, 1460T-18
- Plate, 1460T-18DS1
- Plate, 1460T-18FC
- Plate, 1460T-18PA
- Plate, 1460T-18PADS1
- Plate, 1460T-18PAFC

Special template

- ST- _____

1. Specify door thickness if other than 1 3/4".

Table of sizes

- Select closer based on width of door. The spring power of a 1460T cylinder is adjustable from size 2 to size 4 and is shipped adjusted to size 3
- The closing power of 1460T series cylinders may be increased 50%
- The spring power of a 1461T cylinder is adjustable from size 1 to size 2 and is shipped adjusted to size 1

Interior door width



Indicates recommended range of door width for closer size.
*Adjustable Size 2 thru 4

Interior door width



Indicates recommended range of door width for closer size.
*Adjustable Size 1 thru 2

Reduced opening force 1460T Series closers

CAUTION! Any manual door closer, including those certified by BHMA to conform to ANSI Standard A156.4, that is selected, installed and adjusted based on ADA or other reduced opening force requirements may not provide sufficient power to reliably close and latch a door.

Refer to Automatic Operators catalog for information on systems that meet reduced opening force requirements without effecting closing power.

	Door width	36"	42"	48"
	8.5* lbs.	N/A	N/A	N/A
	5.0* lbs.	1461T	1461T	1461T

* Maximum opening force.

About Allegion

Allegion (NYSE: ALLE) is a global pioneer in seamless access, with leading brands like CISA®, Interflex®, LCN®, Schlage®, SimonsVoss® and Von Duprin®. Focusing on security around the door and adjacent areas, Allegion secures people and assets with a range of solutions for homes, businesses, schools and institutions. Allegion had \$2.7 billion in revenue in 2018, and sells products in almost 130 countries.

For more, visit www.allegion.com.

KRYPTONITE ■ LCN ■  ■ STEELCRAFT ■ VON DUPRIN