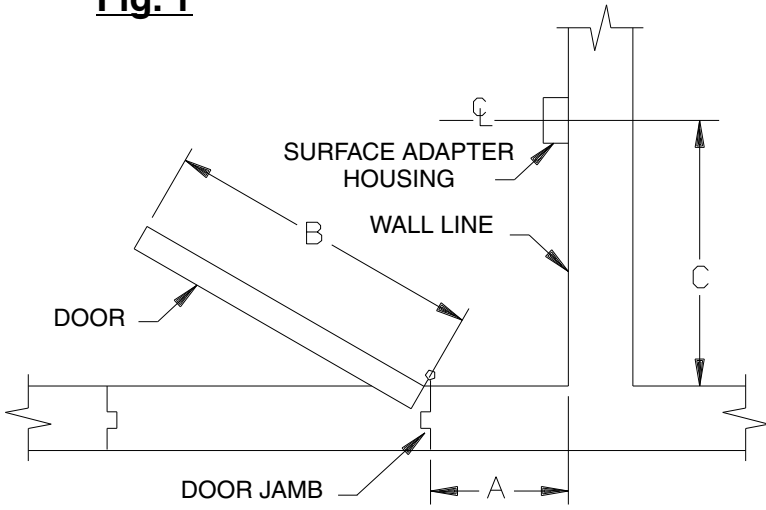


Fig. 1



Step 1: Locate the Surface Mount Box

- The magnet is shipped partially assembled for protection. Unscrew the cover from the magnet bracket assembly. Unscrew the magnet bracket assembly from the surface mount box. Keep the screws for later reattachment.
- See Fig. 1. Measure dimensions A and B. Find the intersection of those two dimensions in Table 1. The intersection is dimension C, the centerline of the surface mount box location. (For 180° installations, take B dimension and subtract 5 5/8" to find the centerline of junction box. Note: Optional extensions maybe needed.)
- If dimension A or B is not shown on the chart, extrapolate to find dimension C as follows.
If dimension A is 11" and dimension B is 36", then:
 $dimension\ C = 33\ 7/16 - ((33\ 7/16 - 33)/2) = 33\ 7/32$
If dimension A is 12" and dimension B is 35", then:
 $dimension\ C = 33 - ((33 - 30\ 7/8)/2) = 31\ 15/16$
If dimension A or B is beyond those listed in Table 1 or if they intersect in a blank area in Table 1, use optional extensions as needed to align contact plate and magnet.
- See Fig. 2. The center of the surface mount box should be located about 5" from the top of the door. Using the 10 x 1 1/2" PHWS screws, attach the surface mount box vertically to the wall with the surface conduit knockout pointing in the desired direction. Anchors to be provided by others to suit wall construction other than wood. The box must at least withstand a 50 pound pull.
- Install the 1/2" x 11/32" surface conduit as needed.
- Pull wire in accordance with applicable codes, standards, and authorities having jurisdiction. Electrical specifications are shown below.

Input Voltage	Current Draw Max.
120VAC, 60Hz	.02A
24VAC, 60Hz/24VDC	.02A
12VDC	.03A

Table 1 *Magnetic Door Holder Placement Chart*
7830

Nearest Whole Number	B = dimension of door width (Inch)											
	28	30	32	34	36	38	40	42	44	46	48	
A = Dimension of door jamb to wall (Inch)	2	26	28	30	32	34	36	38	40	42	44	46
	4	26	28	30	32	34	36	38	40	42	44	46
	6	26	28	30	32	34	36	38	40	42	44	46
	8	25 11/16	27 11/16	29 3/4	31 3/4	33 3/4	35 13/16	37 13/16	39 13/16	41 13/16	43 13/16	45 7/8
	10	25 1/4	27 1/4	29 5/16	31 3/8	33 7/16	35 1/2	37 1/2	39 1/2	41 9/16	43 5/8	45 5/8
	12	24 9/16	26 11/16	28 3/4	30 7/8	33	35	37	39 1/8	41 3/16	43 1/4	45 1/4
	14	23 11/16	26	28	30 1/4	32 3/8	34 7/16	36 1/2	38 5/8	40 11/16	42 3/4	44 13/16
	16	22 11/16	25	27 1/4	29 7/16	31 9/16	33 3/4	35 7/8	38	40	42 3/16	44 5/16
	18	21 3/8	23 13/16	26 1/8	28 7/16	30 11/16	32 7/8	35	37 1/4	39 3/8	41 1/2	43 5/8
	20	19 13/16	22 3/8	24 7/8	27 1/4	29 5/8	31 7/8	34 1/8	36 3/8	38 9/16	40 3/4	43
	22		20 11/16	23 3/8	25 7/8	28 3/8	30 3/4	33	35 3/8	37 5/8	39 7/8	42
	24				24 1/4	26 7/8	29 3/8	31 13/16	34 1/4	36 1/2	38 13/16	41
	26						27 13/16	30 3/8	32 7/8	35 5/16	37 11/16	40
	28								31 3/8	33 7/8	36 3/8	38 3/4
	30								29 5/8	32 5/16	34 7/8	37 3/8
	32										33 1/4	35 13/16

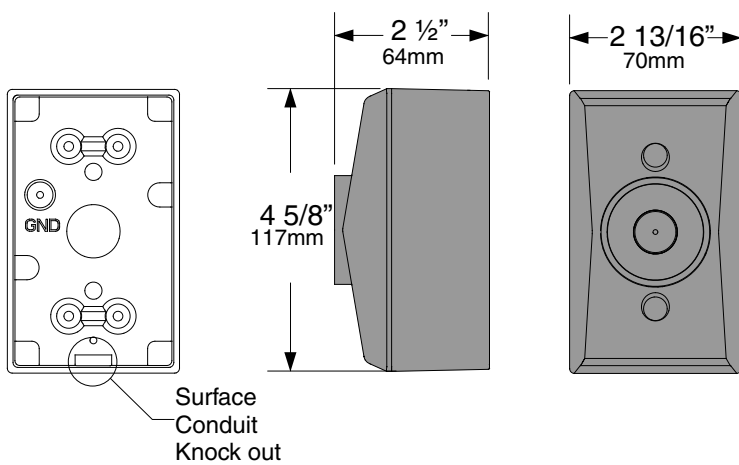


Fig. 2

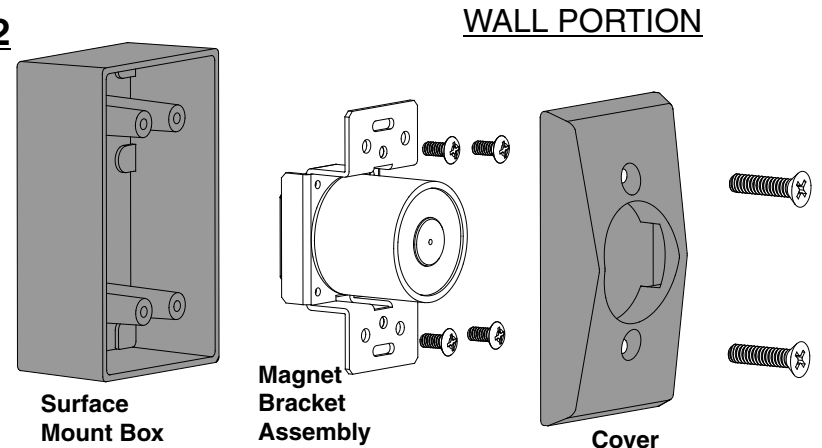
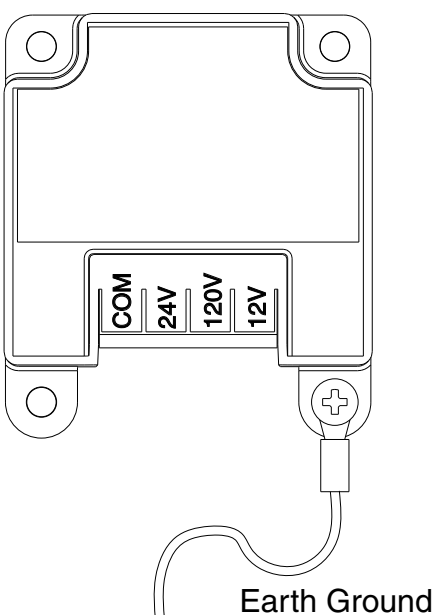


Fig. 3

Back view of magnet assembly



Step 2: Install the Magnet

- See Fig. 3. Connect the supply earth ground wire to the green wire on the magnet bracket assembly. Connect the power supply common wire to the screw terminal marked COM. If the supply voltage is 24V, connect the power supply hot wire to the screw terminal marked 24V. If the supply voltage is 120V, connect the power supply hot wire to the screw terminal marked 120V. If the supply voltage is 12V, connect the power supply hot wire to the screw terminal marked 12V. Polarity is important on the 12V input. There are protective plastic tabs over the terminal screws. Break off the two tabs that protect COM and the desired voltage so that the screw heads are exposed.
- See Fig. 2. With the magnet wired, position the magnet bracket assembly into the surface mount box and attach it to the box using the (4) 10-24 shorter screws from step 1A. Tighten firmly. Attach the cover housing using the (2) 10-24 longer screws from step 1A.

Fig. 4

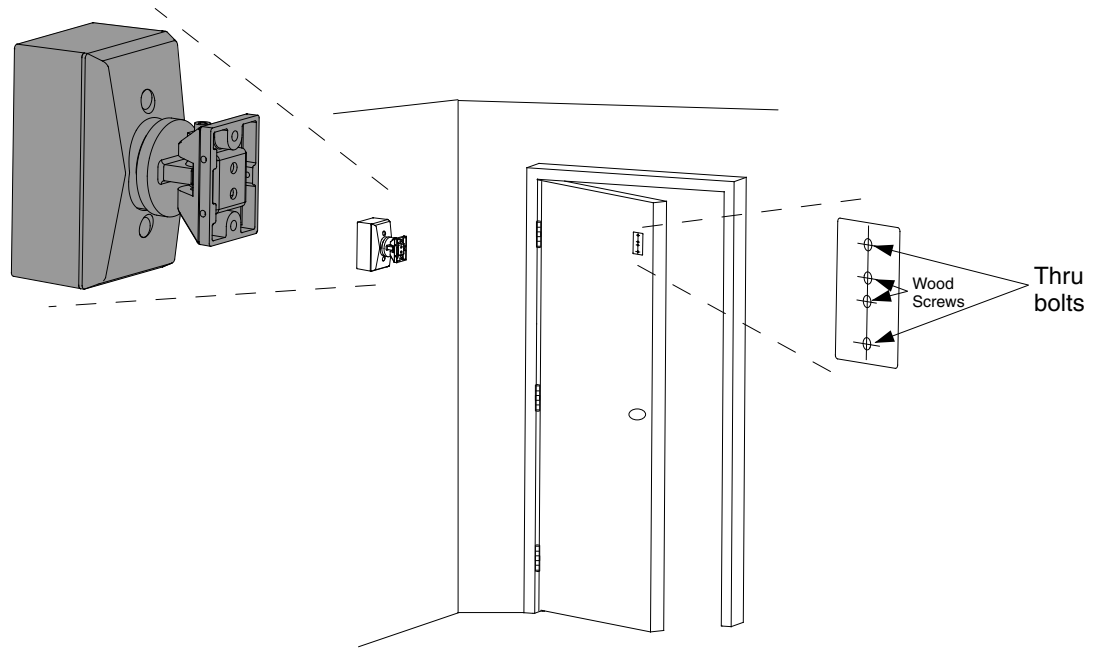
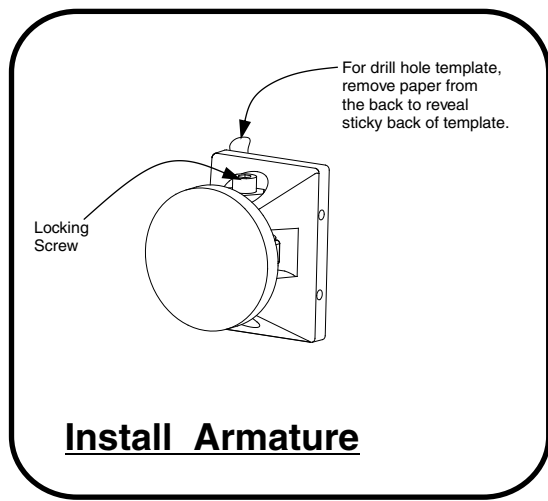


Fig. 5

**WOOD SCREW MOUNTING
FOR SOLID WOOD CORE DOORS**

This view shows the contact plate locking screw accessible from the top. Rotate backup plate 180° for underside access.

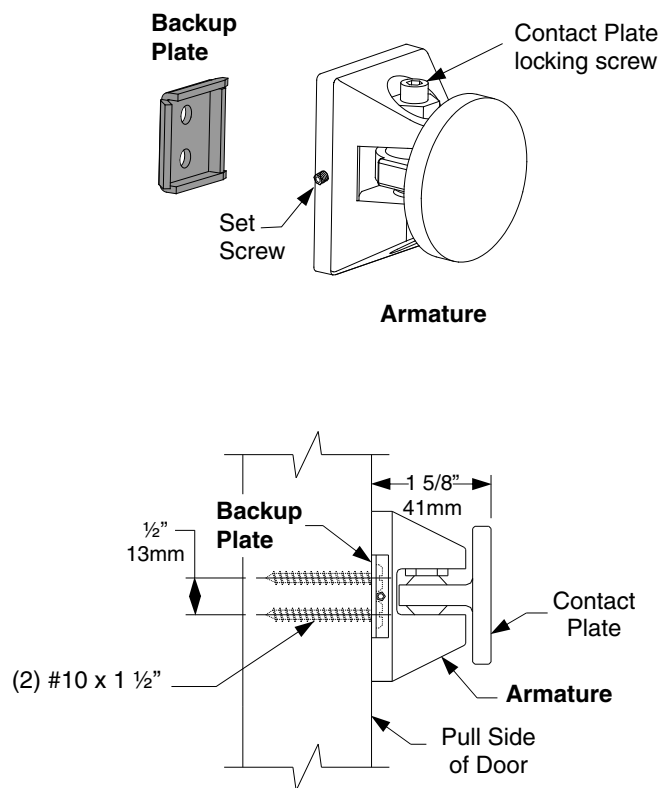
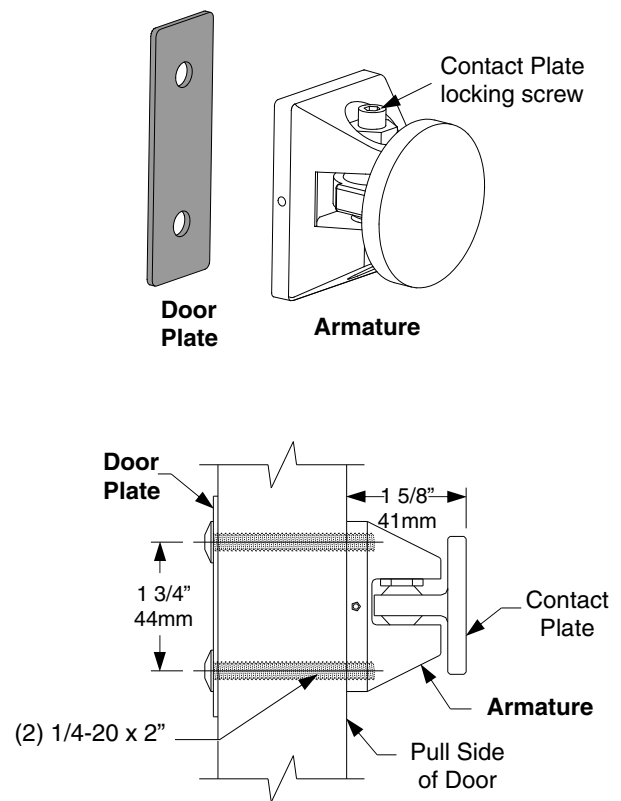


Fig. 6

**THRU BOLT MOUNTING
RECOMMENDED FOR
HOLLOW METAL, HOLLOW CORE
OR COMPOSITE TYPE WOOD DOORS**



Step 3: Install the Door Armature

- See Fig. 4. Slightly loosen the contact plate locking screw using a 5/32" Allen wrench so the contact plate can rotate with some resistance. Remove the protective paper from the drill template sticky-back label on the back of the door armature.
- Place the armature against the wall magnet. This is best done with power applied to the magnet. If power is not available, hold the armature in place by hand. The armature contact plate must fully cover the magnet. If the contact plate is not centered and flat on the magnet, reduced holding force will result.
- With the armature against the magnet, open the door and press it against the armature and magnet. Pull the door away to transfer the drill template to the door. Template may need assistance with transferring to door, using a flat blade screwdriver on the template tab that sticks out and push it onto the door while pulling the door away.
- See Fig. 5 and 6. Determine if the armature will be mounted using the wood screw kit or the thru bolt kit. The thru bolt kit is recommended for 1 3/4" hollow metal, hollow core, or composite-type wood doors. If using the wood screw kit, drill the center two holes on the template using a 1/8" bit by 1 1/4" deep. If using the thru bolt kit, drill the outer two holes on the template using a 5/16" bit all the way through the door. Remove the template after the holes are drilled.
- Attach the armature to the door using the appropriate plate and screws. If using the wood screws and backup plate, tighten the armature set screw against the backup plate as the last step using the 1/16" Allen wrench provided.