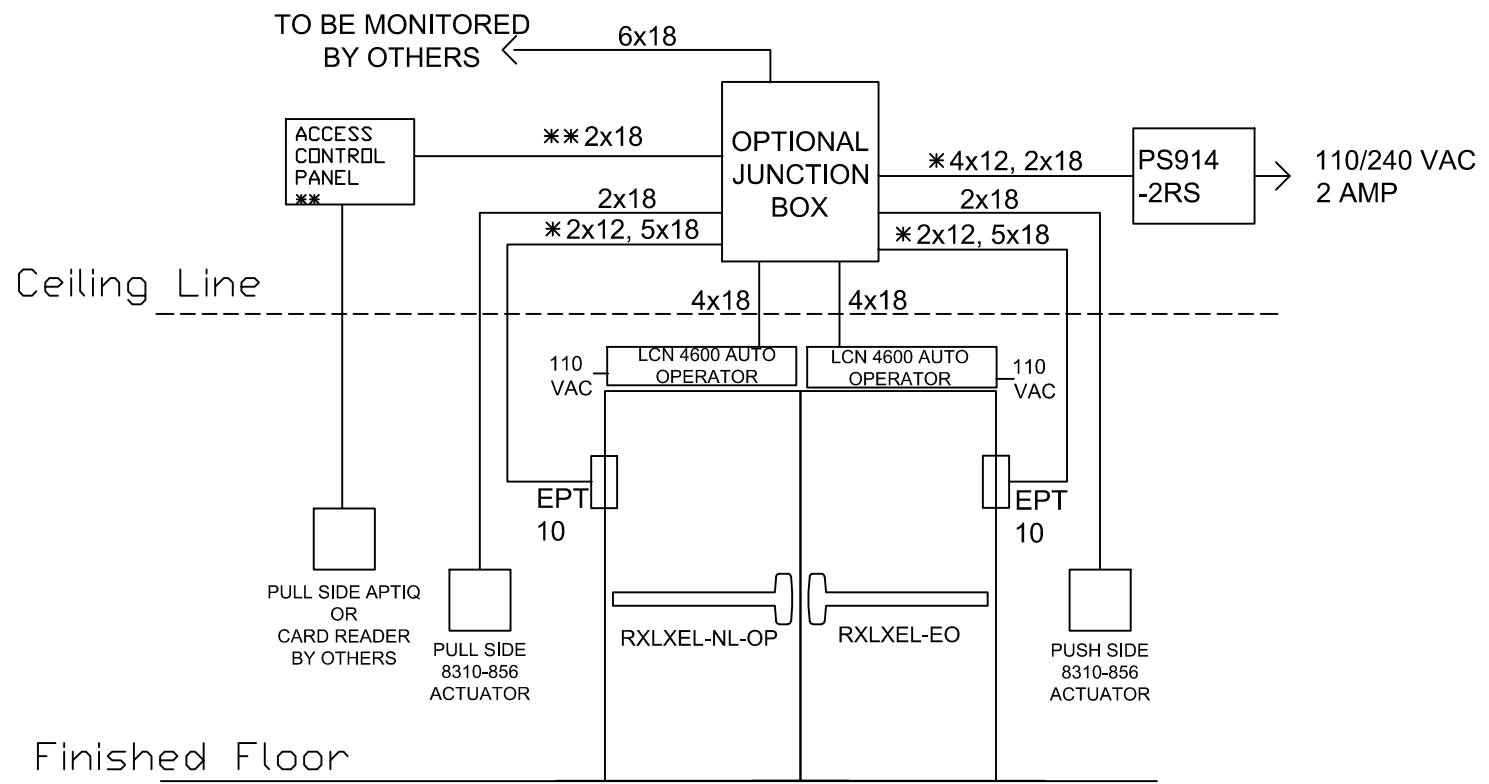



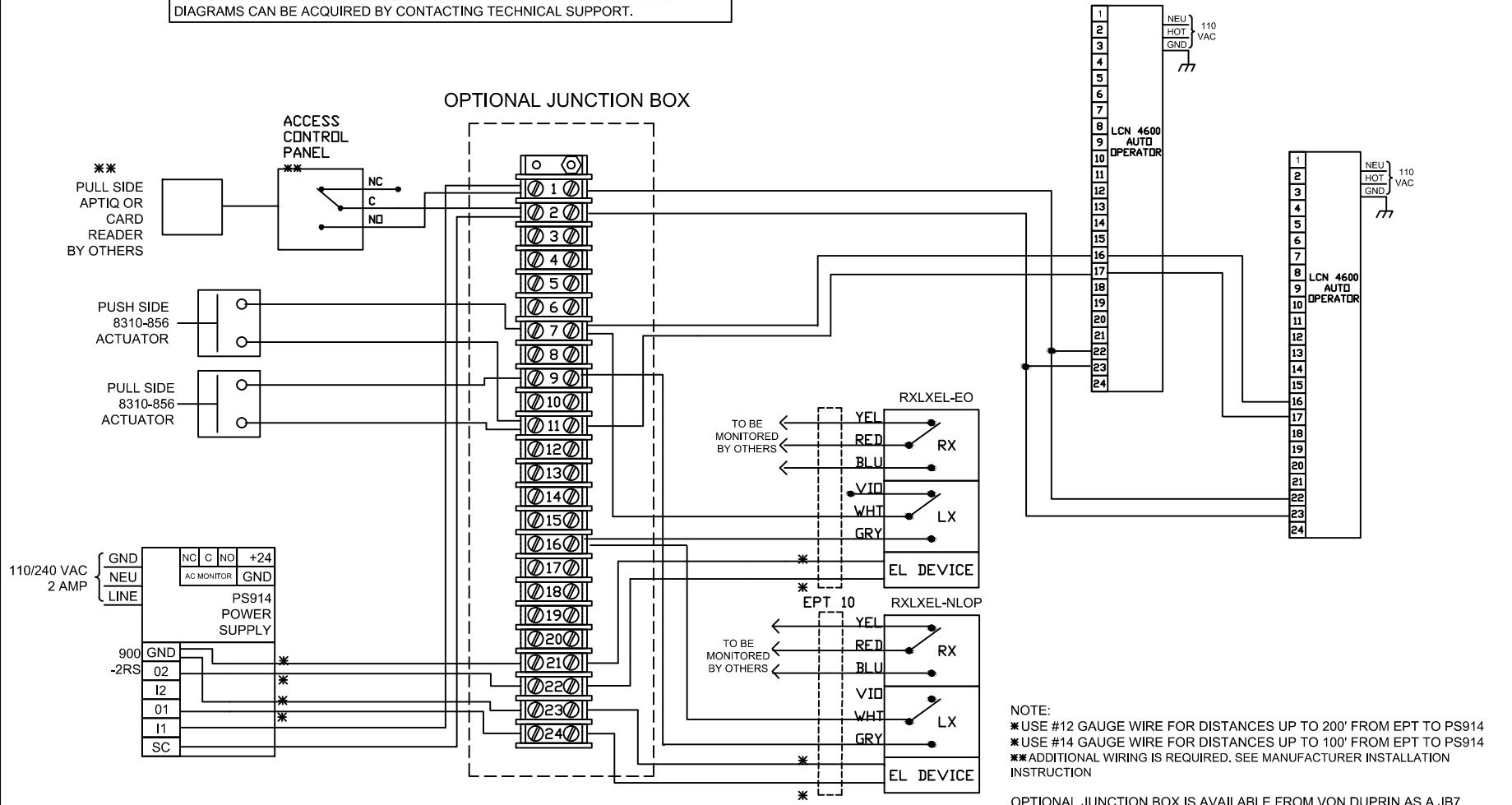
THIS DIAGRAM REPRESENTS A GENERIC CONFIGURATION. CUSTOM WIRING DIAGRAMS CAN BE ACQUIRED BY CONTACTING TECHNICAL SUPPORT.



NOTE:  
 \* USE #12 GAUGE WIRE FOR DISTANCES UP TO 200' FROM EPT TO PS914  
 \* USE #14 GAUGE WIRE FOR DISTANCES UP TO 100' FROM EPT TO PS914  
 \*\*\* ADDITIONAL WIRING IS REQUIRED. SEE MANUFACTURER INSTALLATION INSTRUCTION  
 OPTIONAL JUNCTION BOX IS AVAILABLE FROM VON DUPRIN AS A JB7

<p>NOTES:          1) ALL LOW VOLTAGE WIRING TO BE STANDARD, MULTI-CONDUCTOR COLOR CODED WITHOUT SPLICES.          2) WIRING TO CONFORM TO APPLICABLE NATIONAL, STATE AND LOCAL ELECTRICAL CODES.          3) REFER TO SPECIFIC PRODUCT INSTALLATION INSTRUCTIONS FOR SPECIFIC WIRING REQUIREMENTS.          4) THIS DRAWING IS FOR GRAPHICAL REPRESENTATION OF PRODUCTS DETAILED IN THE HARDWARE SET ONLY.          5) ADDITIONAL WIRING WILL BE REQUIRED FROM ACP THAT IS NOT SHOWN HERE. CONSULT PROVIDER FOR DETAILS.</p>	<p>HARDWARE USED:          1 RXLXEL EO PANIC          1 RXLXEL-NL-OP PANIC          2 EPT 10          2 8310-856 LCN ACTUATORS          2 4600 AUTO OPERATOR          1 APTIQ OR CARD READER BO WITH ACP BO          1 PS914-2RS</p> <p>TYPE EL PANICS WITH AUTO OPERATORS</p>	<p>OPERATION:          PUSH SIDE 8310-856 ACTUATOR TO RETRACT THE ELECTRIC PANIC BARS AND OPEN THE LCN 4600 AUTO OPERATORS.          APTIQ OR CARD READER BY OTHERS TO SIGNAL EL LATCH RETRACTION AND ENABLE EXTERIOR 8310-856 ACTUATOR          PULL SIDE 8310-856 ACTUATOR TO RETRACT THE ELECTRIC PANIC BARS WHEN ENABLED BY CARD READER AND ACCESS CONTROL PANEL          REQUEST EXIT SWITCH RX TO BE MONITORED BY OTHERS.</p> <p>DATE DRAWN: 3-26-13      REVISION DATE: 3-26-13</p> <p>copyright 2013</p>	<p><b>ALLEGION™</b> </p> <p>TITLE: RXLXEL PAIR WITH LCN 4600 AO AND PS914-2RS</p> <p>DRAWING TYPE: RISER DIAGRAM      DWG NO: 109463      REV: A          DRAWN/CHECKED BY: B DOVE/D BOLLENGIER</p>
---	--	--	--

THIS DIAGRAM REPRESENTS A GENERIC CONFIGURATION. CUSTOM WIRING DIAGRAMS CAN BE ACQUIRED BY CONTACTING TECHNICAL SUPPORT.



NOTE:  
 \*USE #12 GAUGE WIRE FOR DISTANCES UP TO 200' FROM EPT TO PS914  
 \*USE #14 GAUGE WIRE FOR DISTANCES UP TO 100' FROM EPT TO PS914  
 \*\*ADDITIONAL WIRING IS REQUIRED. SEE MANUFACTURER INSTALLATION INSTRUCTION

OPTIONAL JUNCTION BOX IS AVAILABLE FROM VON DUPRIN AS A JB7

NOTES:  
 1) ALL LOW VOLTAGE WIRING TO BE STANDARD, MULTI-CONDUCTOR COLOR CODED WITHOUT SPLICES.  
 2) WIRING TO CONFORM TO APPLICABLE NATIONAL, STATE AND LOCAL ELECTRICAL CODES.  
 3) REFER TO SPECIFIC PRODUCT INSTALLATION INSTRUCTIONS FOR SPECIFIC WIRING REQUIREMENTS.  
 4) THIS DRAWING IS FOR GRAPHICAL REPRESENTATION OF PRODUCTS DETAILED IN THE HARDWARE SET ONLY.  
 5) ADDITIONAL WIRING WILL BE REQUIRED FROM ACP THAT IS NOT SHOWN HERE. CONSULT PROVIDER FOR DETAILS.

HARDWARE USED:  
 1 RXLXL ED PANIC  
 1 RXLXL-NL-OP PANIC  
 2 EPT 10  
 2 8310-856 LCN ACTUATORS  
 2 4600 AUTO OPERATOR  
 1 APTIQ OR CARD READER BD WITH ACP BD  
 1 PS914-2RS

TYPE PAIR EL PANICS WITH AUTO OPERATOR

OPERATION:  
 PUSH SIDE 8310-856 ACTUATOR TO RETRACT THE ELECTRIC PANIC BARS AND OPEN THE LCN 4600 AUTO OPERATOR.  
 APTIQ OR CARD READER BY OTHERS TO SIGNAL EL LATCH RETRACTION AND ENABLE EXTERIOR 8310-856 ACTUATOR  
 PULL SIDE 8310-856 ACTUATOR TO RETRACT THE ELECTRIC PANIC BARS WHEN ENABLED BY CARD READER AND ACCESS CONTROL PANEL  
 REQUEST EXIT SWITCH RX TO BE MONITORED BY OTHERS.

DATE DRAWN: 3-26-13 REVISION DATE: 3-26-13

copyright 2013

**ALLEGION™**

TITLE: RXEL PAIR WITH LCN 4600 AD AND PS914-2RS

DRAWING TYPE: WIRING DIAGRAM DWG NO: 109463 REV: A

DRAWN/CHECKED BY: B DOVE/D BOLLENGIER