

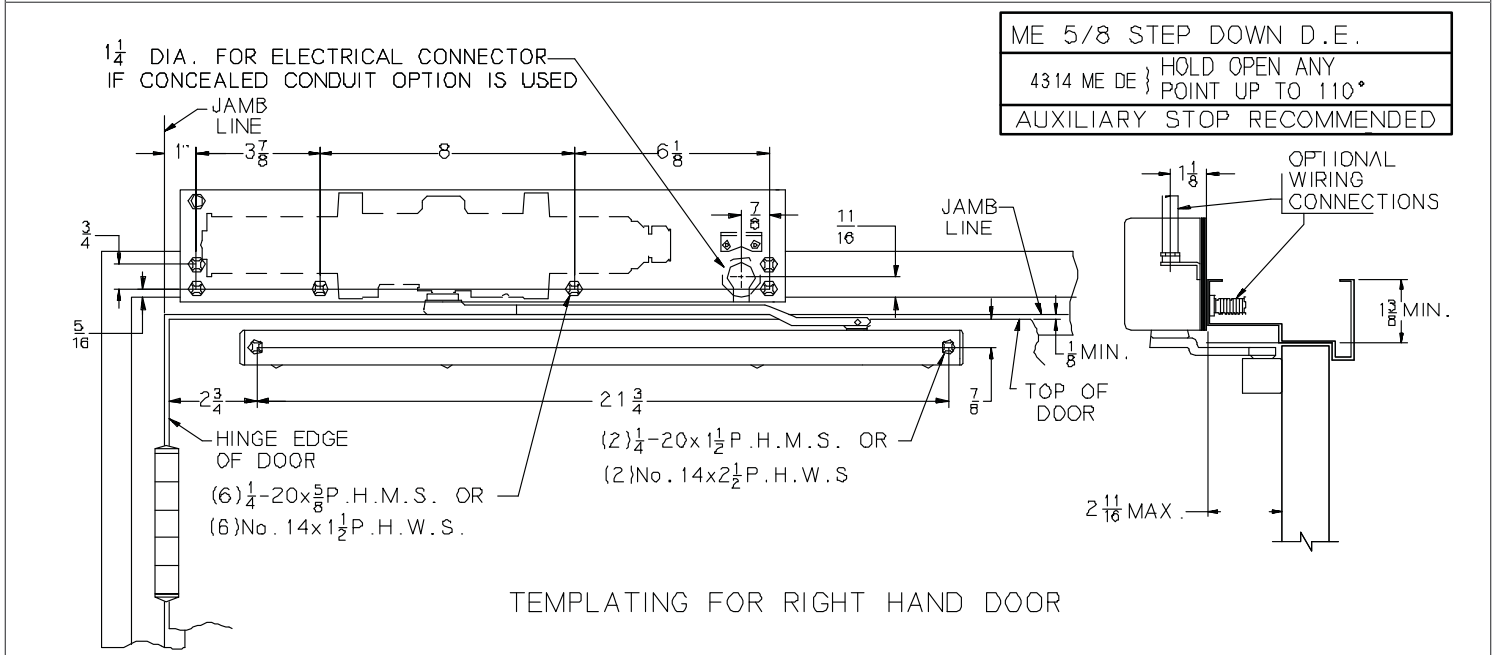
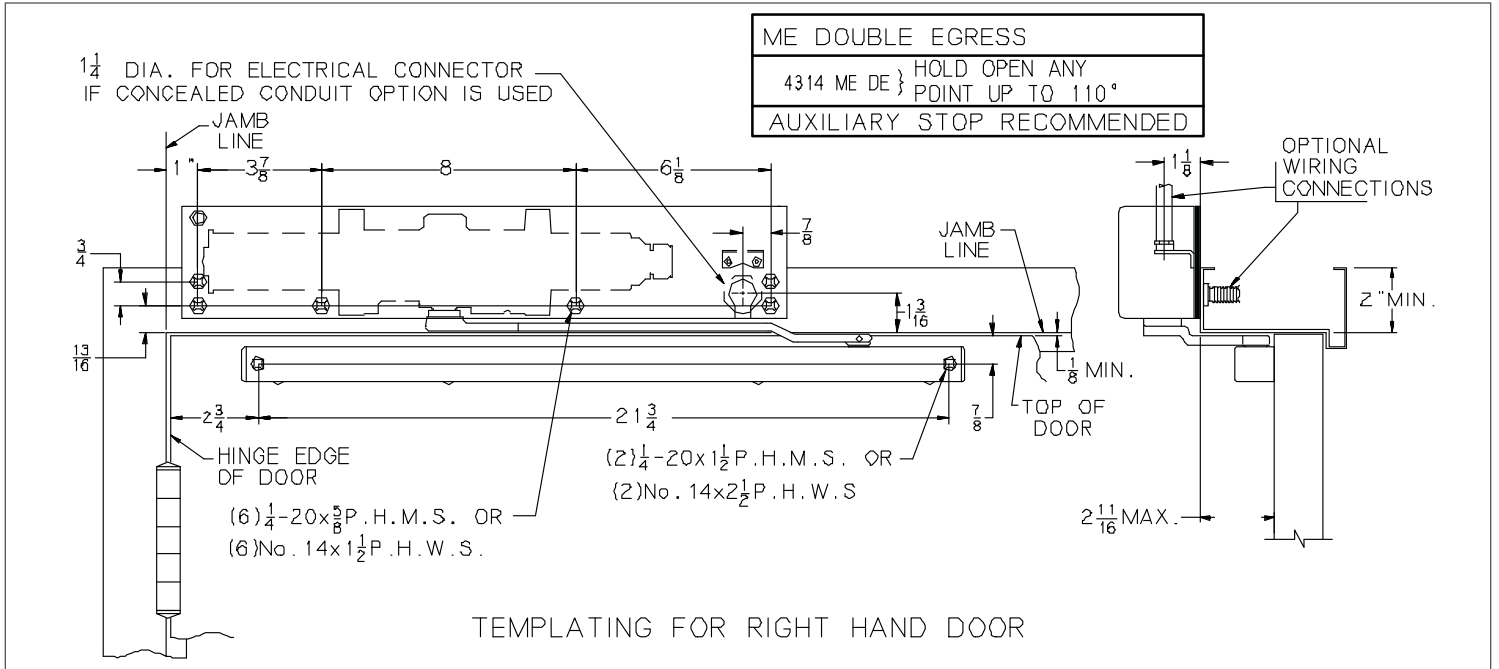


18789

4310 DE Series

LCN®

Installation Instructions



NOTES-

1. RIGHT HAND DOOR AND CLOSER SHOWN, LEFT HAND OPPOSITE.
2. VOLTAGE SHOWN ON SENTRONIC LABEL MUST MATCH VOLTAGE SUPPLIED.
3. IF DOOR IS HUNG ON PIVOT OR SWING CLEAR HINGES CONSULT FACTORY.
4. FOR 7 1/4" OR LESS DOUBLE EGRESSES REVEAL NOT TO EXCEED 2 11/16".
5. FLOOR OR WALL STOP SHOULD BE USED.
6. FOR ADDITIONAL INFORMATION ON RECOMMENDED USE OF THIS UNIT CONSULT NFPA-72E PAMPHLET.
7. REINFORCING PER ANSI/SDI-100 RECOMMENDED FOR HOLLOW METAL DOORS AND FRAMES.

INCH	1/8	1/4	1/2	5/8	3/4	13/16	7/8	1	1 1/8
M.M.	3	6	13	16	19	21	22	25	29
INCH	1 3/16	1 1/4	1 1/2	2	2 1/2	3 7/8	8	11 1/8	21 3/4
M.M.	30	32	38	51	64	98	203	283	553

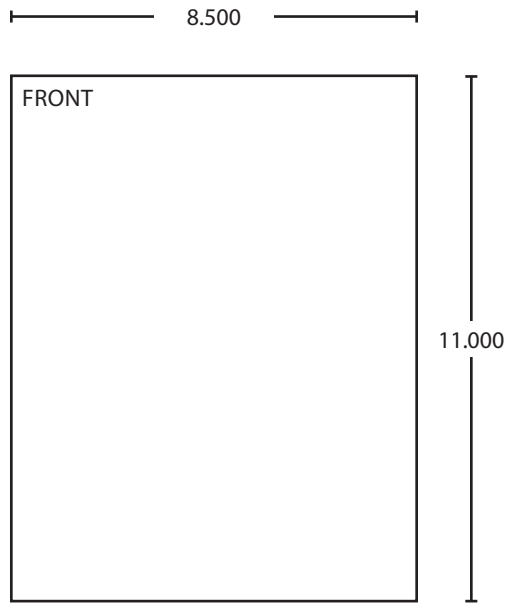
CAUTION

IMPROPER INSTALLATION OR REGULATION MAY RESULT IN PERSONAL INJURY OR PROPERTY DAMAGE. FOLLOW ALL INSTRUCTIONS CAREFULLY. FOR QUESTIONS, CALL LCN AT 877-671-7011

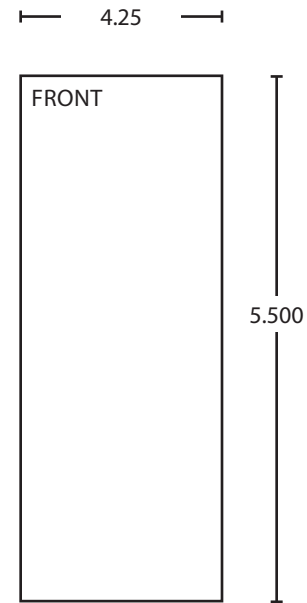
Customer Service

1-877-671-7011 www.allegion.com/us





BEGINNING SHEET



FOLDED SHEET

Additional Notes:
1. None

Revision History						Revision Description: F > Revised artwork					
F	G	H	J	K	L						
043228											
Material						Edited By		Approved By		EC Number	Release Date
White Paper						D. Myers		M. Sasso		043228	01-01-14
Notes						Title					
1. printed one side						4319ME Series DE Instruction Sheet					
2. printed black						Creation Date		Number		Revision	
3. tolerance ± .13						05-10-10		18789		F	
4. printed in country may vary						Created By		Activity		© Allegion 2014	
5. drawings not to scale						N/A		3899 Hancock Expwy Security, CO 80911			
						Software: InDesign CS6					