



- Mechanical Pushbutton Lock
- Single Access Code
- Cylindrical
- Lever

SIMPLEX®

Features

Access Control:	Mechanical pushbutton lock eliminates problems and costs associated with issuing, controlling, and collecting keys and cards. Provides exterior access by combination, while allowing free egress.
No Battery:	Fully mechanical lock eliminates the material and labor expense of battery replacements
Locking Device Options:	Cylindrical latch with 3-hour UL/ULC fire rating on "A" labeled doors
Number of Codes:	Single access code—one easy-to-manage code for all users
Programming:	Lock is easily programmed via keypad without removing lock from the door
Handing:	Factory-handed; not field reversible
Key Override (Optional):	Small format interchangeable cores, large format removable cores
Operation Modes:	Single credential access <u>Passage</u> (select models)—allows access without using the lock entry code. Feature activated from the inside with a thumbturn or key (included with all passage feature models). <u>Privacy</u> (select models)—disables the lock from the inside so that the entry code cannot be used to gain access. Access is permitted using the key override only when in this mode.
Economical:	A cost effective access control solution

Mechanical Features

Construction:	Heavy-duty cylindrical lock housing with cast front housing, unified trim plate, and fixed ADA-compliant levers
Numeric Keypad:	Vandal resistant, solid metal pushbuttons
Handing:	Factory-handed; not field reversible
Standard Finishes:	Satin Chrome 26D (626), Antique Brass 05 (609)
Optional Finishes:	Bright Brass 03 (605), Bright Chrome 026 (625)
Backset:	2¾" (70 mm), 2⅝" (60 mm)
Latch:	½" (13 mm) throw latch; ¾" (19 mm) throw latch (optional)
Minimum Stile Recommended:	5" (127 mm)
Weight:	8.25 lbs. (3.7 kg)
Strike:	Standard strike plate; ASA strike plate

Key Override

Interchangeable Cores:	Small format—Best and equivalents (6 or 7-pin length)
Removable Cores:	Large format—Medeco/ASSA/Yale/Abloy (5 or 6-pin length), Corbin Russwin, Schlage, and Sargent

Installation

Door Preparation:	Easily installs on wood or metal doors. ASA 161 door preparation with additional through holes.
Door Thickness:	1 3/8" (35 mm) to 2 1/4" (57 mm)—Pre-assembled to accommodate 1 5/8" (41 mm) to 2" (51 mm) doors
Items Supplied Include:	Lock assembly, installation manual, full-scale template, combination change plug and access key, and required installation hardware

Certification and Testing

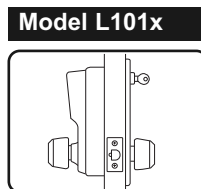
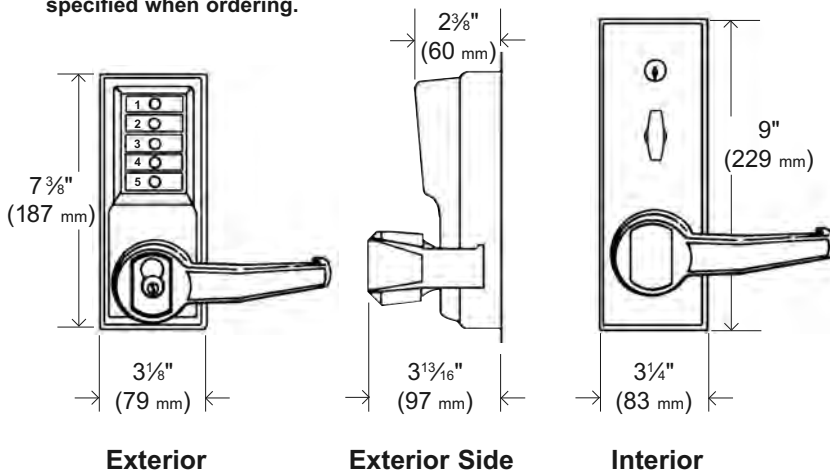
Accessibility Standard:	Americans with Disabilities Act (ADA)
Durability:	Compliance with D.O.D. 5220.22M; weather resistant
Fire Rating:	3-hour UL/ULC fire rating for "A" labeled doors

Warranty

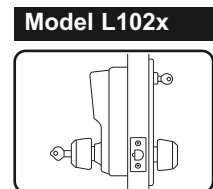
Warranty:	3-year warranty
------------------	-----------------

Cylindrical

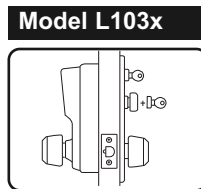
Door handing must be specified when ordering.



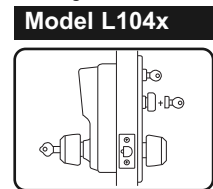
- Model L101x**
- Combination Entry
 - Interior Combination Change



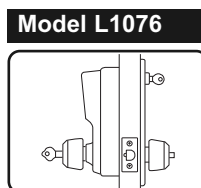
- Model L102x**
- Combination Entry
 - Key Override (not supplied)
 - Interior Combination Change



- Model L103x**
- Combination Entry
 - Interior Combination Change
 - Passage



- Model L104x**
- Combination Entry
 - Key Override (not supplied)
 - Interior Combination Change
 - Passage



- Model L1076**
- Combination Entry
 - Key Override (not supplied)
 - Interior Combination Change
 - Privacy (lockout)