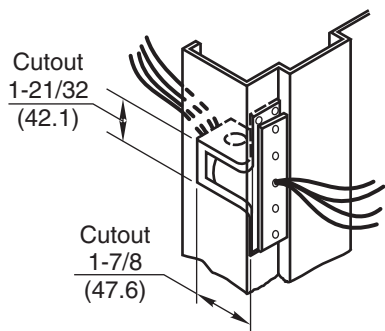
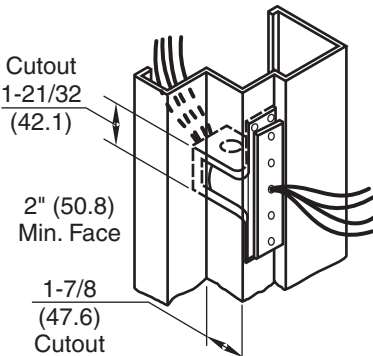


- A. Open Pivot 90° to expose screw holes and attach door leaves of all pivots required to door using appropriate fasteners.
- B. Install door and pivot assembly to jamb by supporting door at the proper height and sliding toward jamb so that pivots enter the jamb pockets and mortises.

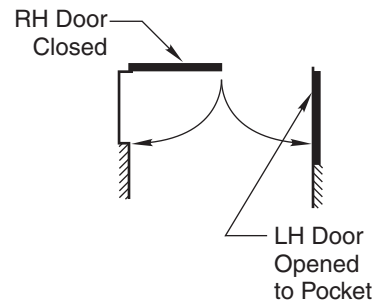
- C. With door properly supported and opened approximately 60° or more to expose screw holes. Attach pivot jamb leaf to jamb using appropriate fasteners.



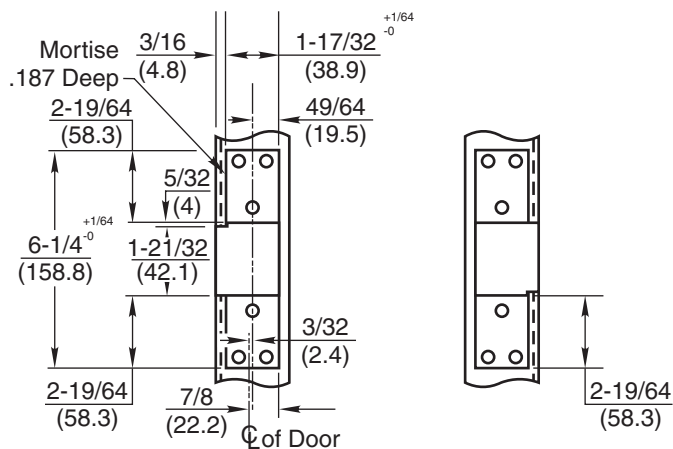
**Right Hand Frame
(Jamb Style 1)**



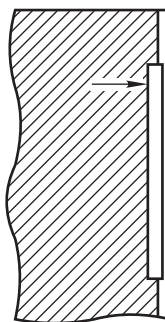
**Right Hand Frame
(Jamb Style 2)**



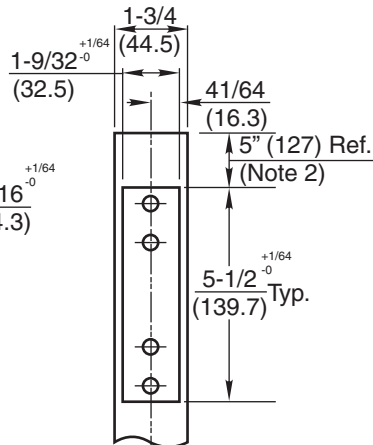
**Key Plan
Pair of Doors**



Mortise Detail, Steel Frame

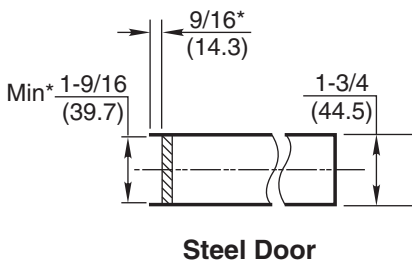


**Wood Application Shown
Dimensions Same for Steel Door
Door Mortise Detail**

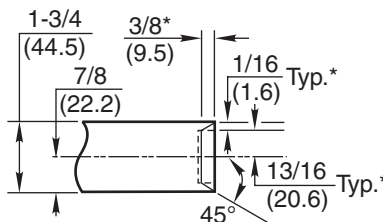


Notes:

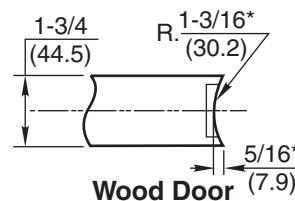
- 1. * Prepare full length of door to these dims.
- 2. Use standard spacing to suit size of door.
- 3. Use 1 pivot for every 30" (762) of door height.
- 4. Use 1 pivot for every 90 lbs. of door weight.



Steel Door



**Wood Door
(Style 1)**



**Wood Door
(Style 2)**

Door Jamb Clearance 7/64 (2.8) - Hinge Side

EF519 Pocket Pivot

RIXSON®
ASSA ABLOY

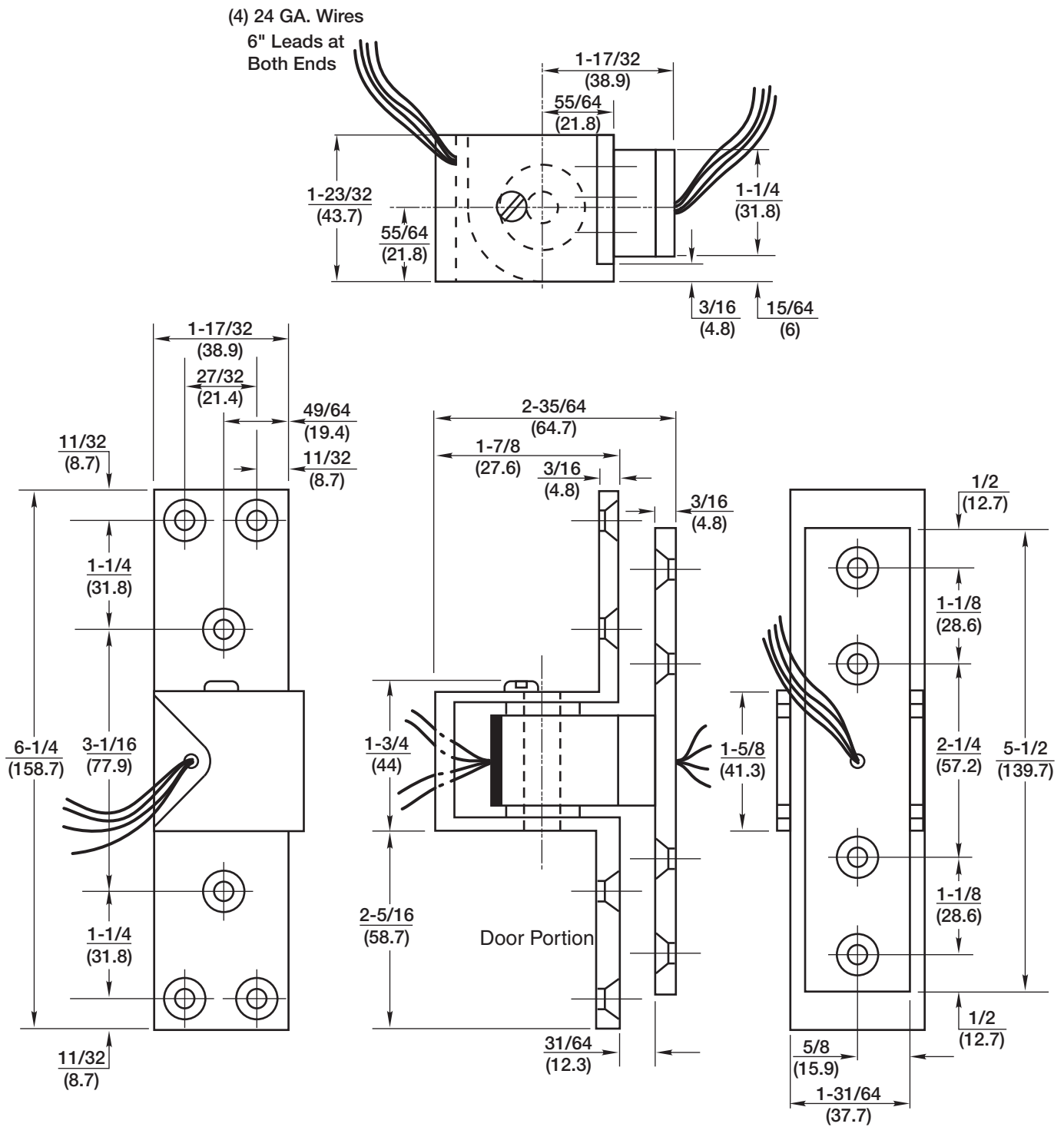
www.rixson.com

TEMPLATE NUMBER

IS-EF519

DATE

02-12



Notes:

1. Do not scale drawing.
2. Dimensions are given in inches (mm).
3. Right hand shown.
4. Machine Screw Size #12-24 x 3/4 FHMS
Wood Screw Size #12 x 1-1/2 FHWS

EF519 Pocket Pivot

RIXSON®
ASSA ABLOY

www.rixson.com

TEMPLATE NUMBER

IS-EF519

DATE

02-12